

<a href="#">Submit Comment</a>	<a href="#">To Views</a>	<a href="#">Expand</a>	<a href="#">Collapse</a>	<a href="#">QMX Help &amp; Support</a>	<a href="#">Printer Friendly</a>
--------------------------------	--------------------------	------------------------	--------------------------	--	----------------------------------



STG - Systems

**Blade Server Packaging Instructions:** [Subscribe](#)..[Unsubscribe](#)  
**Double Wide Blades, PKG BOM 25P1368**  
**No. WW-P-01028 Rev. 4 Production**  
**Date: 06/07/2006**  
**Owner: Jeffrey Miller**  
**[Online Version is the Master](#)**

---

# Blade Server Packaging Instructions: Double Wide Blades

NOTE: This document is designed to be used online. You are responsible to use only the “Production” version online.

\*\*\*\*\*

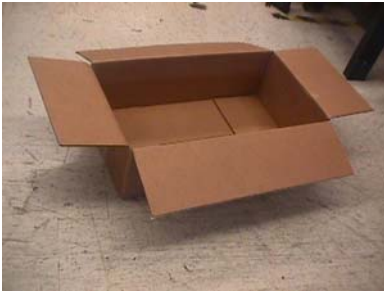
**IMPORTANT NOTICE:** The Federal Aviation Administration requires certification that packages shipped by air do not contain explosives, hazardous materials, incendiaries or other destructive devices. Therefore, just prior to sealing the carton, you must inspect its contents to confirm that it contains only parts specified on the IBM bill of materials. If the contents meet specifications, then seal the carton with IBM logo tape or another tamper evident indicator specified on the bill of materials. The logo tape or tamper evident seal will indicate that the carton can be certified to meet FAA standards for air shipment. If you discover parts or devices that appear suspicious (whether or not potentially explosive), carefully secure the carton on the line and notify IBM management promptly.

\*\*\*\*\*

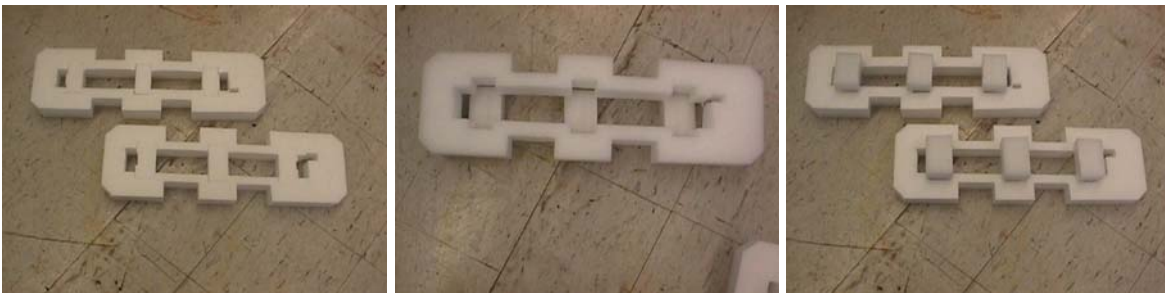
- Information contained in this document is for reference purposes only.
- Process and Part Numbers may vary in each manufacturing location.
- Refer to local site procedures and Bill of Materials for any substitutions.
- No deviation is to be made to the overall assembly without prior written approval from the responsible Packaging Engineer.

## Packaging Instructions

1. Assemble carton 01R3802 as shown below.



2. Hinge cushions 01R3804 as shown below.



3. Place the unit in ESD bag 37L8109.

4. Place the cushions, 01R3804, on the unit as shown.

**NOTE: The ESD bag has been remove to illustrate proper product orientation.**



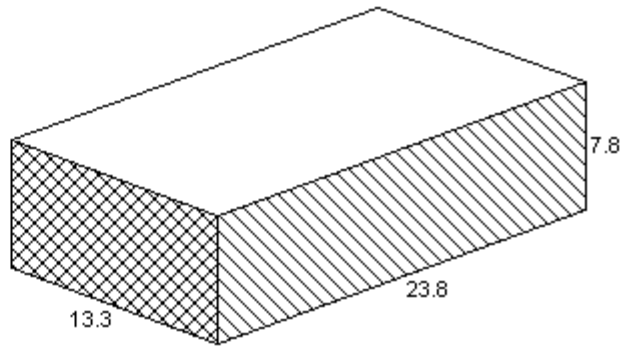
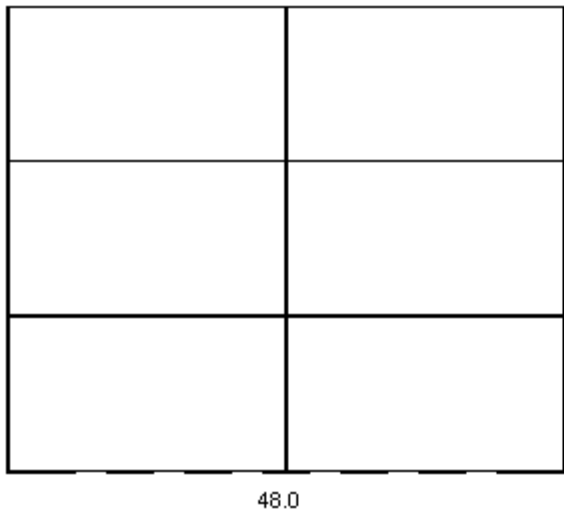
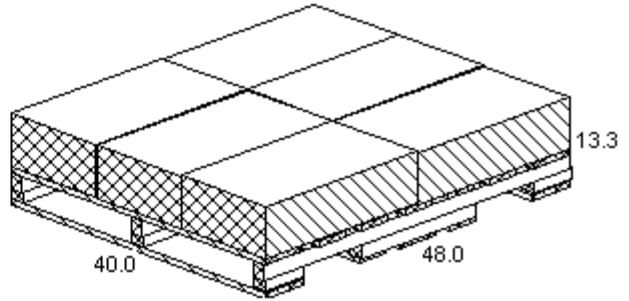
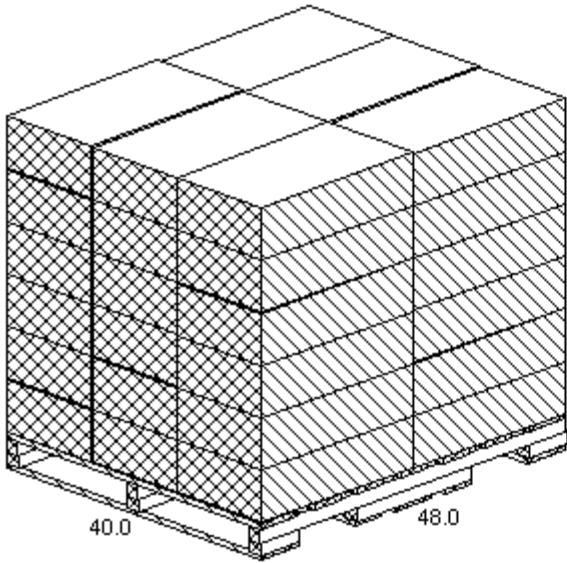
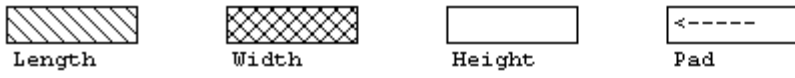
5. Place the unit, along with the cushions, into carton 01R3802 as shown below.



6. Close and seal the carton using approved IBM logo tape.



## PALLETIZATION



- ▶ General Information
- ▶ Summary of Changes

▼ **Approval Information**

Date Approved	Approved By
06/07/2006	See Library Control database for approval information.

---

© 2006 IBM Corporation, All Rights Reserved Worldwide

End of Document
-----------------