



# IBM Wireless Keyboard and Mouse

---

*User's Guide*

OPTIONS  
*by IBM*

**Note:** Before using this information and the product it supports, read the information under Appendix C, "Product warranties and notices" on page C-1.

**First Edition (February 2001)**

**© Copyright International Business Machines Corporation 2001. All rights reserved.**  
US Government Users Restricted Rights – Use, duplication or disclosure restricted by  
GSA ADP Schedule Contract with IBM Corp.

---

## Safety

Before installing this product, read the Safety Information.

مج، يجب قراءة دات السلامة

Antes de instalar este produto, leia as Informações de Segurança.

在安装本产品之前，请仔细阅读 **Safety Information** (安全信息)。

Prije instalacije ovog produkta obavezno pročitajte Sigurnosne Upute.

Před instalací tohoto produktu si přečtete příručku bezpečnostních instrukcí.

Læs sikkerhedsforskrifterne, før du installerer dette produkt.

Ennen kuin asennat tämän tuotteen, lue turvaohjeet kohdasta Safety Information.

Avant d'installer ce produit, lisez les consignes de sécurité.

Vor der Installation dieses Produkts die Sicherheitshinweise lesen.

Πριν εγκαταστήσετε το προϊόν αυτό, διαβάστε τις πληροφορίες ασφάλειας (safety information).

לפני שתתקינו מוצר זה, קראו את הוראות הבטיחות.

A termék telepítése előtt olvassa el a Biztonsági előírásokat!

Prima di installare questo prodotto, leggere le Informazioni sulla Sicurezza.

製品の設置の前に、安全情報をお読みください。

본 제품을 설치하기 전에 안전 정보를 읽으십시오.

Пред да се инсталира овој продукт, прочитајте информацијата за безбедност.

Lees voordat u dit product installeert eerst de veiligheidsvoorschriften.

Les sikkerhetsinformasjonen (Safety Information) før du installerer dette produktet.

Przed zainstalowaniem tego produktu, należy zapoznać się z książką "Informacje dotyczące bezpieczeństwa" (Safety Information).

Antes de instalar este produto, leia as Informações sobre Segurança.

Перед установкой продукта прочтите инструкции по технике безопасности.

Pred inštaláciou tohto zariadenia si pečítajte Bezpečnostné predpisy.

Pred namestitvijo tega proizvoda preberite Varnostne informacije.

Antes de instalar este producto lea la información de seguridad.

Läs säkerhetsinformationen innan du installerar den här produkten.

安裝本產品之前，請先閱讀「安全資訊」。

---

# Contents

<b>Safety</b> . . . . .	<b>iii</b>
<b>About this book</b> . . . . .	<b>vii</b>
Registering your option . . . . .	vii
<b>Installation and user's guide.</b> . . . . .	<b>1-1</b>
Product description . . . . .	1-1
Getting started . . . . .	1-2
Installing the USB, keyboard, and mouse . . . . .	1-2
Installing the USB receiver . . . . .	1-2
Installing the keyboard and mouse . . . . .	1-3
Changing the USB receiver channels . . . . .	1-4
Installing the software . . . . .	1-4
Using the Rapid Access buttons . . . . .	1-5
Customizing the keyboard buttons . . . . .	1-5
Labeling the buttons . . . . .	1-6
Customizing the on-screen display . . . . .	1-7
Changing the on-screen display . . . . .	1-7
Disabling the on-screen display . . . . .	1-7
Enabling the on-screen display. . . . .	1-7
Disabling Rapid Access Buttons . . . . .	1-7
Maintaining the keyboard . . . . .	1-8
Customizing the ScrollPoint Wireless Mouse . . . . .	1-8
Customizing each window . . . . .	1-8
Cleaning the mouse . . . . .	1-11
<b>Appendix A. Troubleshooting</b> . . . . .	<b>A-1</b>
Common Problems . . . . .	A-1
You cannot find the selection you are looking for when you customize the Rapid Access Buttons . . . . .	A-1
The Standby button does not work correctly. . . . .	A-1
The Help button does not work correctly. . . . .	A-2
The CD/DVD, Volume, or Mute control buttons do not work. . . . .	A-2
None of the Rapid Access Buttons work. . . . .	A-3
Your computer game locks up or is interrupted when you use the Rapid Access Buttons. . . . .	A-3
You press a button once, but the computer responds as if you pressed it twice. . . . .	A-3
You cannot type with keyboard or mouse cursor does not move. Here . . . . .	A-4
You cannot use the advanced keyboard functions ("hot buttons") or advanced mouse functions ("scroll stick") . . . . .	A-4
You are experiencing poor keyboard performance . . . . .	A-4
You are experiencing poor mouse performance . . . . .	A-4

Your keyboard or mouse data transmission LED is constantly illuminated on the Dual Wireless Receiver.. . . . .	A-5
The mouse does not move the cursor. . . . .	A-5
The advanced mouse functions (scroll stick) do not work. . . . .	A-5
You are experiencing poor mouse performance . . . . .	A-5
The mouse data transmission LED on the Dual Wireless Receiver is constantly illuminated. . . . .	A-5
You have a problem not listed in this section. . . . .	A-5

**Appendix B. Help and service . . . . . B-1**

Online technical support. . . . .	B-1
Telephone technical support . . . . .	B-1

**Appendix C. Product warranties and notices . . . . . C-1**

Warranty Statements . . . . .	C-1
IBM Statement of Limited Warranty for United States, Puerto Rico, and Canada (Part 1 - General Terms) . . . . .	C-1
IBM Statement of Warranty Worldwide except Canada, Puerto Rico, Turkey, United States (Part 1 - General Terms) . . . . .	C-5
Part 2 - Worldwide Country-Unique Terms . . . . .	C-8
Notices . . . . .	C-13
Trademarks . . . . .	C-14
Federal Communications Commission (FCC) statement . . . . .	C-15

---

## About this book

This manual contains instructions for installing, configuring, and troubleshooting the IBM® Rapid Access™ Wireless Keyboard, IBM ScrollPoint™ Wireless Mouse, and the IBM Dual Wireless Receiver. The manual is divided into two parts:

### Part 1: Installation and user's guide

This guide contains abbreviated installation instructions.

This guide also contains the product description and expanded installation instructions in the following languages:

- English
- French
- Spanish
- Italian
- Brazilian Portuguese
- Traditional Chinese
- Japanese

### Part 2: Appendixes

The appendixes contain problem solving and help and service information. It also contains the product warranties and notices.

**Note:** The illustrations in this manual might be slightly different from your hardware.

---

## Registering your option

Thank you for purchasing OPTIONS by IBM. Please take a few moments to register your product and provide us with information that will help IBM to better serve you in the future. Your feedback is valuable to us in developing products and services that are important to you, as well as in developing better ways to communicate with you. Register your option on the IBM Web site at

<http://www.ibm.com/pc/register>

IBM will send you information and updates on your registered product unless you indicate on the Web site questionnaire that you do not want to receive further information.





---

## Installation and user's guide

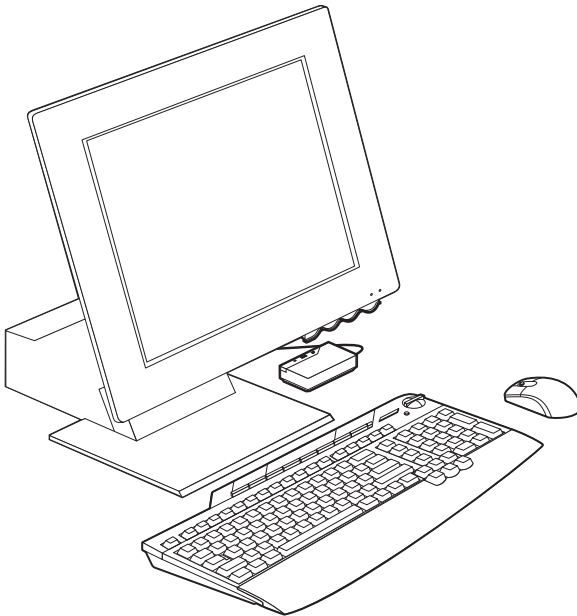
This section contains a product description, hardware and software installation instructions, and product use and maintenance information for the IBM Rapid Access Wireless Keyboard, ScrollPoint Wireless Mouse, and Dual Wireless Receiver. For information on troubleshooting, see Appendix A. For additional information on using this product, visit the IBM Healthy Computing Web site at:

- <http://www.ibm.com/pc/healthycomputing>

---

### Product description

The IBM Rapid Access Wireless Keyboard and ScrollPoint Wireless Mouse provide wireless access to your most commonly used keyboard and mouse tasks. There are two buttons for navigating through Web pages, seven buttons for multimedia control, and eight color-coded buttons, several of which are preset to useful Web sites.



In addition to this book, this option package contains the following:

- Rapid Access Wireless Keyboard
- ScrollPoint Wireless Mouse

- Dual Wireless Receiver
- Getting Started card
- CD with customization software

You can use the Quick Start card instructions to install the software, connect your keyboard, mouse, and receiver. The following sections provide more detailed installation instructions.

---

## Getting started

Before installing the Rapid Access Wireless Keyboard, ScrollPoint Mouse, and Dual Wireless Receiver, do the following:

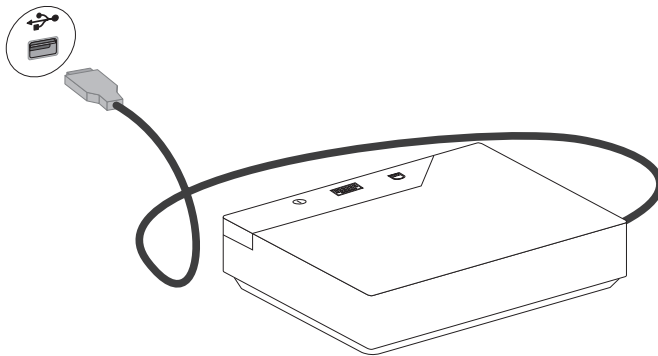
1. Turn off your computer and all attached devices.
2. Insert new, alkaline AAA batteries into the Rapid Access Wireless Keyboard and ScrollPoint Wireless Mouse.
3. Connect the Dual Wireless Receiver to a USB port.

---

## Installing the USB, keyboard, and mouse

The following sections describe how to install the Rapid Access Wireless Keyboard, ScrollPoint Mouse, and Dual Wireless Receiver.

### Installing the USB receiver



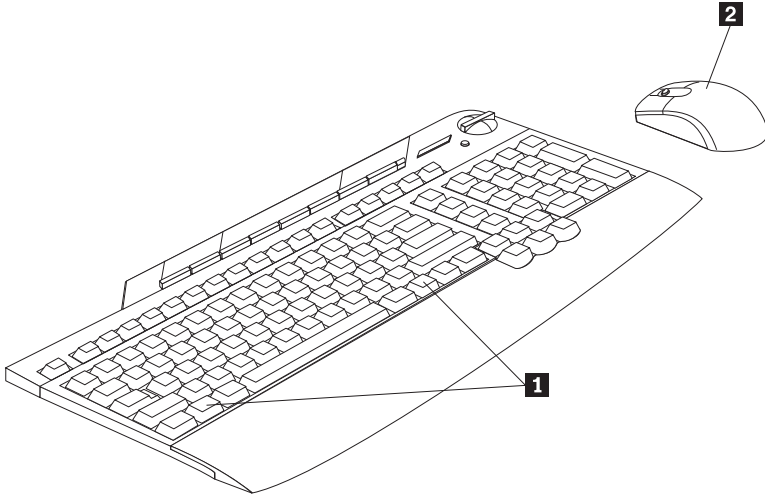
To install the Dual Wireless Receiver, do the following:

1. Plug the receiver into your computer's USB port.
2. Start your computer.
3. Click **Next** on all the prompts.
4. Click **Finish** in the final prompt.

Microsoft Windows Millennium (Me) and Windows 2000 Professional will automatically recognize the USB receiver. Windows 98 will require manual prompting.

## Installing the keyboard and mouse

The keyboard and mouse will be automatically recognized once the receiver is installed.

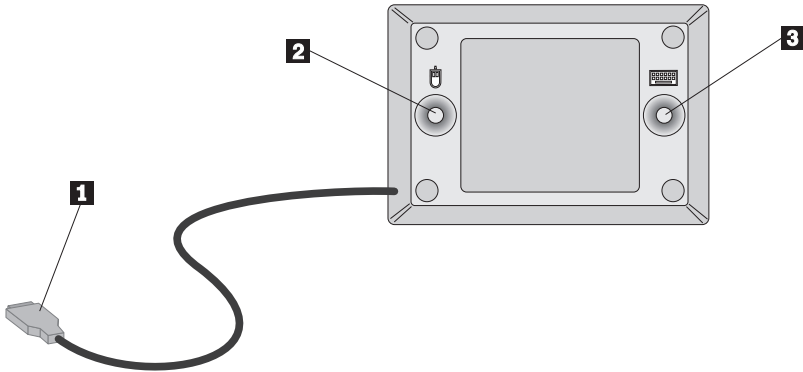


To check that the keyboard and mouse are being recognized, do the following:

1. Press the Windows key **1** on your keyboard to confirm functionality.
2. Move the mouse **2** to confirm movement on the display screen.
3. If either device is not recognized, see Appendix A for trouble shooting procedures.

---

## Changing the USB receiver channels



To confirm and change the channels on your USB dual receiver, do the following:

1. Make sure the USB connector **1** is properly inserted into your computer.
2. Press one of the blue buttons, **2** or **3**, on the bottom of the Dual Wireless Receiver.
3. Note that the device icon LED will be on.
4. Press the blue button on the bottom of the Dual Wireless Receiver that corresponds to the device icon (shown above as mouse **2**, keyboard **3**).
5. The LED flashes off.
6. Press the Windows key on your keyboard or move the mouse to confirm functionality.
7. Repeat the above steps for the other device.

---

## Installing the software

To install the software, do the following:

1. Click **Start**.
2. Select **Run**.
3. Type `x:\setup`, where `x` is the letter of your CD-ROM drive.
4. The keyboard setup program begins. You will be prompted for selections.
5. Click **Next**.
6. Click **Next**.
7. Click **Finish**.
8. The mouse setup program begins. You will be prompted for selections.
9. Click **Next**.

10. Select the position of the mouse, either to the right or the left of your monitor, whether you are right- or left-handed. Click **Next**.
11. Click **Next**.
12. Click **Finish**.

---

## Using the Rapid Access buttons

The Rapid Access Wireless Keyboard contains quick launch buttons, commonly called "hot buttons." This section contains information on using these buttons.

The keyboard in the previous illustration has the following button features:

- An Internet button, a Standby button, and five buttons that you can customize to access a file, program, or Web site.
- A plastic cover that holds the button label.
- Multimedia control buttons that you can use to control playback and adjust volume on audio CDs and some DVDs.
- A Mute button that you can use to mute audio playback.
- A button that navigates forward through Web pages in an Internet browser.
- A button that navigates backward through Web pages in an Internet browser.

## Customizing the keyboard buttons

The first time you press one of the customizable buttons, the window opens and prompts you to follow the on-screen instructions to customize the buttons. You can customize each of the five buttons for use as a shortcut to a computer program, a file, or a Web site.

To change the customization of your Rapid Access Buttons at a later time, open the customization window using the following procedure:

1. Click **Start --> Settings --> Control Panel**.
2. Double-click **Keyboard (Rapid Access)** to open the Rapid Access Wireless Keyboard Customization window. If a program has already been assigned to a button, the program name appears in the label area above that button on the screen. If a program has not been assigned to a button, the label area above the button will be blank.
3. Click the button you want to customize.
4. Click one of the following options:
  - **View all programs**
  - **View all files**
  - **Enter Internet address**
5. If you clicked **View all programs** or **View all files**, click the desired program or file. If you clicked **Enter Internet address**, type the Internet address of a Web site into the box.

**Note:** If you enter a Web site address into the box, you can verify that it is correct by clicking **Test**. You must be connected to an Internet Service Provider or an Intranet to use the **Test** function.

The name of the selected program, file, or Web site appears in the label box. You can edit the information in the label box.

6. Click **Apply**. The information for your selection appears in the label area above the button.
7. To customize another button, repeat the steps above. If you have completed customizing the buttons, click **OK**.

After you have customized any buttons, you can use the Rapid Access Keyboard software to create a new button label.

## Labeling the buttons

You might want to change the button label at the top of the keyboard if you have changed the file, program, or Web site assigned to a customizable button. When you use the Rapid Access Wireless Keyboard Customization window to change a button assignment, the software automatically creates a new button label.

To print the new button label, do the following:

1. Be sure paper is in the printer, and the printer is turned on.
2. Follow steps 1 and 2 in Customizing the Rapid Access Buttons on page 1-4 to open the Rapid Access Wireless Keyboard Customization window.
3. Click **Print Label...** to open the Rapid Access Keyboard Print Label window.
4. Click the check box for **black text on a white background** or the check box for **white text on a black background**.
5. Click **OK**.
6. Select the correct printer in the Print window and click **OK**.
7. When the label has been printed, review the label information; then cut the label to the correct size.

**Note:** You do not need to remove the clear plastic cover at the top of the keyboard when you replace a label.

To replace the button label at the top of the keyboard, do the following:

1. Grasp the middle of the old label near the cover indent and slide the old label out from under the clear plastic cover.
2. Slide the new printed label under the clear plastic cover. You might need to trim the edges of the label so that it fits under the cover.

---

## Customizing the on-screen display

The Rapid Access Wireless Keyboard comes with the on-screen display setting enabled. When the on-screen display is enabled, the name of a function or program assigned to a Rapid Access Button briefly displays on the screen when you press the button.

You can use the Rapid Access Wireless Keyboard software to make changes to the on-screen display, and to either disable or enable the display.

### Changing the on-screen display

To change the font, the font size, or the font color used in the on-screen display, do the following:

1. Follow steps 1 and 2 in Customizing the Rapid Access Buttons on page 1-4 to open the Rapid Access Wireless Keyboard Customization window.
2. Click **Preferences** to open the Rapid Access Preferences window.
3. Click **Font**.
4. In the Font dialog box, select the preferred settings then click OK.
5. Click **OK**.
6. Click **OK** to exit the program.

### Disabling the on-screen display

To disable the on-screen display, do the following:

1. Follow steps 1 and 2 in Customizing the Rapid Access Buttons on page 1-4 to open the Rapid Access Wireless Keyboard Customization window.
2. Click **Preferences** to open the Rapid Access Keyboard Preferences window.
3. Under On-Screen Display toggle **Disable**.
4. Click **OK**.

### Enabling the on-screen display

To enable the on-screen display, do the following:

1. Follow steps 1 and 2 in Customizing the Rapid Access Buttons on page 1-4 to open the Rapid Access Wireless Keyboard Customization window.
2. Click **Preferences** to open the Rapid Access Keyboard Preferences window.
3. Under On-Screen Display toggle **Enable**.
4. Click **OK**.

---

## Disabling Rapid Access Buttons

The keyboard comes with the Rapid Access Buttons already enabled. To disable the buttons, do the following:

1. Follow steps 1 and 2 in Customizing the Rapid Access Buttons on page 1-4 to open the Rapid Access Keyboard Customization window.
2. Click **Preferences** to display the Rapid Access Buttons Preference window.
3. Under **Rapid Access Buttons** toggle Disable.
4. Click **OK**.

---

## Maintaining the keyboard

You can prevent damage to your keyboard or computer by properly maintaining the keyboard. For basic maintenance guidelines to care for your keyboard, do the following:

- Unplug the keyboard before cleaning.
- Clean the keyboard with a soft cloth moistened with a solution of water and mild soap.
- **Do not spill liquids on the keyboard.** Liquids might damage your keyboard or cause it to function improperly.

For more information about labeling the buttons, setting up preferences, setting up your work area, and troubleshooting, click the **Help** button at the bottom of the Rapid Access Wireless Keyboard Customization window.

---

## Customizing the ScrollPoint Wireless Mouse

To customize the ScrollPoint Wireless Mouse, do the following:

1. Double-click **My Computer**.
2. Double-click **Control Panel**.
3. Double-click the Mouse icon to open the Mouse Properties Window.
4. Click the setting tab at the top of the Mouse Properties window and make changes in the setting window that opens.

## Customizing each window

The following sections describe how to customize settings for each window.

### Buttons

The Buttons window is where you can customize the functions of the buttons and the mouse stick. To customize the buttons and the mouse stick, do the following:

1. Select the mouse stick or a button by clicking it in the graphic of the mouse or by selecting it in the Button pull-down menu.
2. From the Function pull-down menu, select the function that you want to assign to the stick or a button.
3. You must designate at least one button as the Primary Mouse Button.
4. Click **OK** or **Apply**.



5. If you want to reset to the default setting for the mouse buttons and the mouse stick, click **Use Default**.

### **Pointers**

The Pointers window is where you can select a cursor icon scheme for the mouse pointing functions. To customize the cursor icon scheme for the mouse pointing functions, do the following:

1. From the Scheme pull-down menu, select a cursor icon scheme.
2. If you want to change the default name of the scheme, go to the next step.
3. Click **OK** or **Apply**.

### **Motion**

The Motion window is where you can change the pointer speed or customize the pointer to automatically go to the default button in a window. To change the pointer speed, do the following:

1. In the Pointer speed panel, place the cursor on the slider.
2. Drag the slider to the left to make the pointer speed slower or to the right to make the pointer speed faster.
3. Click **OK** or **Apply**.

To customize the pointer to automatically go to the default button in a window, do the following:

1. Place a check in the **Snap mouse to the default button in dialogs** check box.
2. Click **OK** or **Apply**.

### **Double-Click**

The Double-Click window is where you can change the double-click speed for the mouse. To change the double-click speed for the mouse, do the following:

1. In the Double-Click Speed panel, place the cursor on the slider.
2. Drag the slider to the left to make the double-click speed slower or to the right to make the double-click speed faster.
3. You can test the double-click speed by double-clicking the icon in the Test Area panel.
4. Click **OK** or **Apply**.

### **Orientation**

The Orientation window is where you can change the orientation of the mouse. The default orientation for the scrolling mouse is vertical, with the buttons at the top. If you want to hold the mouse in a different position, do the following:

1. Click **Set Orientation**.
2. Follow the on-screen instructions.
3. Click **OK** or **Apply**.

## ScrollPoint

The ScrollPoint window is where you enable the Universal Scrolling mode. The ScrollPoint window is also where you can adjust the scrolling speed, adjust the activation force for the mouse, and enable 360° scrolling.

To change the scrolling speed for the mouse, do the following:

1. In the Scroll Speed panel, place the cursor on the slider.
2. Use the cursor to drag the slider to the left to make the scrolling speed slower or to the right to make the scrolling speed faster.
3. Click **OK** or **Apply**.

To change the force needed to click or double-click with the mouse, do the following:

1. In the Activation force panel, place the cursor on the slider.
2. Use the cursor to drag the slider to the left so that less force is required or to the right so that more force is required to initiate scrolling.
3. Click **OK** or **Apply**.

The 360°-scrolling feature enables you to move the pointer diagonally, horizontally, or vertically. To enable the 360°-scrolling feature, place a check in the **Enable 360 Degree Scrolling** check box and then click **OK** or **Apply**.

## Pointer Utility

The Pointer Utility window is where you can customize the following functions for the pointer:

- **Pointer Wrap**

If you want the point to reappear on the other side of the computer screen when it reaches the edge of one side of the screen, place a check in the Pointer Wrap check box and then click **OK** or **Apply**.

- **Pointer Vanish**

If you do not want the pointer to display when you are typing in text, place a check in the Pointer Vanish check box, and then click **OK** or **Apply**.

- **Sonar**

If you want help finding a pointer on the screen, place a check in the Sonar check box. After clicking **OK** or **Apply**, press and release the Ctrl key to use the Sonar function to surround the pointer with a radar screen-type circle.

- **Slow Motion**

If you want to slow down the pointer movement temporarily to position the pointer more precisely, place a check in the Slow Motion check box. After clicking **OK** or **Apply**, press and hold the Shift key to use the Slow Motion function.

- **X Focus**

If you want to make a window active by moving the pointer over the title bar, place a check in the X Focus check box, and then click **OK** or **Apply**. The X Focus function enables you to move the pointer from window to window without clicking.

### Mouse Suite

In the Mouse Suite window, you can place a mouse icon in the taskbar, uninstall the mouse Suite software, or go to the IBM Web site for more information on the mouse.

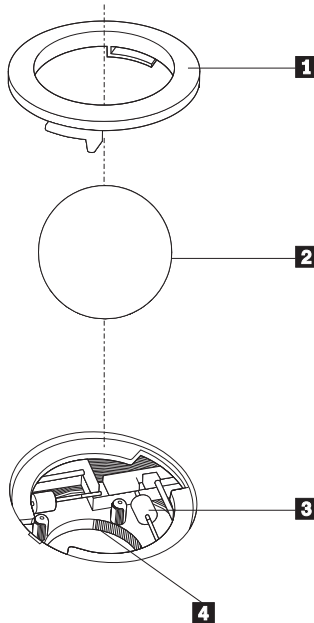
To place a mouse icon in the taskbar, place a check in the **Show Mouse Icon in Task Bar** check box, and then click **OK**.

To uninstall the Mouse Suite software, click **Uninstall**.

To visit the IBM Web site for more information on the mouse, click the displayed Internet address.

### Cleaning the mouse

If the cursor skips or moves erratically, you might need to clean the mouse. To clean the mouse, do the following:



1. Turn off the computer

2. Turn the mouse over, with the top side down, and look carefully at the bottom. Twist the retainer **1** ring to the unlocked position to remove the ball.
3. Place your hand over the retainer ring and ball **2**, and then turn the mouse over, top side up, so that the retainer ring and ball fall out into your hand.
4. Wash the ball in warm, soapy water then dry it with a clean cloth. Blow air carefully into the ball-cage **4** to dislodge dust and lint.
5. Look for a build-up of dirt on the plastic rollers **3** inside the ball-cage. This build-up usually appears as a stripe running across the middle of the rollers.
6. If the rollers are dirty, clean them by using a cotton swab soaked in isopropyl (rubbing) alcohol. Turn the rollers with your finger and continue swabbing them until all the dirt is removed. Be sure the rollers are still centered in their channels after you clean them.
7. Remove any fibers from the swab that might be remaining on the rollers.
8. Replace the ball and the retainer ring.
9. Turn your computer back on.

---

## Appendix A. Troubleshooting

Computer problems can be caused by hardware, software, or user error. You might be able to use the information in this section to solve problems yourself, or gather helpful information you can pass on to a service technician.

---

### Common Problems

Review the following list for any problem descriptions that might fit your situation.

#### **You cannot find the selection you are looking for when you customize the Rapid Access Buttons**

If you are customizing your Rapid Access Buttons and cannot find the selection you want, such as your Internet browser or word processor, review the list of options displayed on the customization screen.

Be sure to click View all programs in the Rapid Access Keyboard Customization window. When you select this option, you see the list of all folders and programs that are displayed when you click Start --> Programs. You might have to open one or more folders to view a program.

If you still do not see a desired program, click View all files in the Rapid Access Keyboard Customization window. When you select this option, a list of all drives, folders, and files on your system is displayed.

#### **The Standby button does not work correctly.**

Your computer must have Windows 98 or Windows 95 Version 4.00.950B or later, with hardware support for Advanced Power Management (APM) Level 1.1 or greater, for the Standby button to work correctly.

If your computer shuts down when you press the Standby button, but does not return to full power when you press the button a second time, or if nothing happens when you press the button, your power-management software might not support the Suspend option.

To find out if your computer supports the Suspend option, click the Standby button to see if the Suspend option is displayed. If a Suspend option is listed, try selecting it. If the Suspend option works, your computer will go into a low-power mode, it will return to normal power when you press the Standby button again or when you move the mouse. If the Suspend option does not work when you select it from the Start menu, the Standby button will not

work either. If the Suspend option does not work, you might need to modify your computer power-management settings.

To modify your computer power management settings:

1. Click **Start --> Settings --> Control Panel**.
2. Double-click **Power**.

For more information about your computer power-management settings, check the documentation that comes with your computer.

### **The Help button does not work correctly.**

If the Help button does not start Windows help, be sure that Windows help was installed on your computer. From the Start menu, click Help. If you cannot access Help, it might not have been installed. Refer to your Windows documentation for information on installing new components.

### **The CD/DVD, Volume, or Mute control buttons do not work.**

The CD/DVD volume and mute control buttons on the keyboard will work only with computers that have audio software and a sound card.

If you have audio software that did not come from or if you installed your own audio software, the audio software program might not be compatible with the keyboard. Close your audio software and press the CD/DVD buttons again. Pressing the buttons automatically opens the Windows CD Player or the Windows DVD software. If the buttons work with the Windows CD Player or DVD software but not with your audio software, your audio software is not compatible with the keyboard.

To verify that your computer has a sound card or that the sound card is working correctly, test an audio CD using the Windows CD Player program.

To test an audio CD:

1. Start Windows.
2. Insert the audio CD into the computer CD-ROM drive.
3. Click **Start --> Programs**.
4. Select **Accessories**.
5. Select **Multimedia**.
6. Click **CD Player**.

If you do not have a sound card or if the sound card is not detected, you will receive an error message indicating that there is a problem with the sound card. For more information on your sound card, see the documentation that comes with your computer or sound card.

## **None of the Rapid Access Buttons work.**

If none of the hot buttons are working, be sure that they are enabled in the Preferences menu in the Rapid Access Keyboard software.

To enable the Rapid Access Buttons, do the following:

1. Click **Start --> Settings --> Control Panel**.
2. Double-click **Keyboard (Rapid Access)** to open the Rapid Access Keyboard software.
3. Click **Customize** to open the Customization window.
4. Click **Preferences** in the Rapid Access Keyboard Customization window.
5. Check to see if the Rapid Access Keyboard is enabled.
6. Check other keys on the keyboard. If the other keys are not working, reload the software.
7. Check the batteries. You might need to replace them.
8. Change the channel on the device. The channel might not be set or there might be signal interference from another device.

If your keyboard buttons still do not work, be sure that the keyboard is properly connected to the computer. For more information on connecting the keyboard, see the previous sections of this user guide.

## **Your computer game locks up or is interrupted when you use the Rapid Access Buttons.**

The onscreen display for the Rapid Access Buttons might interfere with some computer games. If your computer games are not functioning correctly when you use the Rapid Access Buttons, disable the onscreen display. For instructions on disabling the onscreen display, see the previous sections of this user guide.

## **You press a button once, but the computer responds as if you pressed it twice.**

You might need to change your keyboard Repeat delay or Repeat rate settings.

To change the Repeat delay or Repeat rate settings:

1. Click **Start --> Settings --> Control Panel**.
2. Double-click **Keyboard** (not **Keyboard (Rapid Access)**).
3. Click the **Speed** tab for Repeat delay or for Repeat rate.
4. Move the **Repeat delay** slider to the side labeled Long or the **Repeat rate** slider to Slow.
5. Click **OK**.

## **You cannot type with keyboard or mouse cursor does not move. Here**

If you cannot type with the keyboard or the mouse cursor does not move, try one of the following:

1. Check the batteries.
2. Change the channel on the device. The channel might not be set or there might be signal interference from another device.
3. Contact service. Your device may be defective.

## **You cannot use the advanced keyboard functions (“hot buttons”) or advanced mouse functions (“scroll stick”)**

If you cannot use the hot buttons or the mouse scroll stick, try one of the following:

1. Make sure the drivers have been loaded.
2. You can reload the driver from the driver CD or from the  
C:\IBMTOOLS\DRIVER directory located on your factory installed preload.

## **You are experiencing poor keyboard performance**

If you are experiencing poor performance of the keyboard or the loss of characters, try one of the following:

1. You might have weak batteries and might need to replace them.
2. You might need to change the channel on the keyboard due to interference from other device signals.
3. You might need to relocate the keyboard or replace the desk with a non-metallic desk. You might relocate the receiver above the metal desk or move it away from large, metal objects.
4. The keyboard and receiver might be too far apart. Make sure that the keyboard and receiver are no more than 6 feet (2 meters) apart.

## **You are experiencing poor mouse performance**

If you are experiencing poor performance of the mouse or the cursor skips, try one of the following:

1. Clean the mouse ball and ball cage. Refer to the Mouse Suite Help under the menu **Start-->Settings-->Control Panel--Mouse**.
2. You might need to replace weak or old batteries.
3. You might need to change the channel on the mouse due to interference from other device signals.
4. If the mouse is located on or near a metal desk or large metal object, you might need to relocate the mouse.
5. The mouse and receiver might be too far apart. Make sure that the mouse and receiver are no more than 6 feet (2 meters) apart.



## **Your keyboard or mouse data transmission LED is constantly illuminated on the Dual Wireless Receiver.**

If the transmission LED is constantly illuminated on the Dual Wireless Receiver, you can try the following:

1. There might be signal interference from another device.
2. Change the channel on the keyboard or mouse.

## **The mouse does not move the cursor.**

If the mouse does not move the cursor, do the following:

1. Change the batteries in the mouse.
2. Change the channel on the mouse.
3. Contact service. Your device may be defective.

## **The advanced mouse functions (scroll stick) do not work.**

If the scroll stick does not work, do the following:

1. Reload the mouse driver from the CD or the C:\IBMTTOOLS\DRIVER directory.

## **You are experiencing poor mouse performance**

If the mouse is performing poorly or the cursor skips, do the following:

1. Clean the mouse ball and cage.
2. Change the batteries in the mouse.
3. Change the channel on the mouse.
4. Move the mouse away from any large metal objects or replace the desk with a non-metallic desk.
5. Move the Dual Wireless Receiver away from any large metal objects.
6. Verify that the mouse is within 6 feet (2 meters) of the Dual Wireless Receiver.

## **The mouse data transmission LED on the Dual Wireless Receiver is constantly illuminated.**

If the mouse data transmission LED on the Dual Wireless Receiver is constantly illuminated, do the following:

1. Change the channel on the mouse.

## **You have a problem not listed in this section.**

For all other problems with your keyboard and mouse, try uninstalling and reinstalling your Rapid Access software.

To uninstall and reinstall the Rapid Access software in Windows:

1. Click **Start --> Settings --> Control Panel**.

2. Double-click **Add/Remove Programs**.
3. Select **IBM Rapid Access Wireless Keyboard** from the displayed list.
4. Click **Add/Remove...**
5. Click **Yes**.
6. Select **Mouse Suite** from the displayed list.
7. Click **Add/Remove...**
8. Click **Yes**.
9. When the uninstallation procedure completes, restart your computer, insert the IBM Wireless Keyboard and Mouse CD into your CD-ROM drive.
10. Click **Start**.
11. Select **Run**.
12. Type `x:\setup`, where x is the letter of your CD-ROM drive.

For more information on obtaining online and technical support, see Appendix B.

---

## Appendix B. Help and service

This section contains information on how to obtain online and telephone technical support.

---

### Online technical support

Online technical support is available during the life of your product. Online assistance can be obtained through the Personal Computing Support Web site and the IBM Automated Fax System.

<i>Online technical support</i>	
IBM Personal Computing Support Web site	<a href="http://www.ibm.com/pc/support">http://www.ibm.com/pc/support</a>
IBM Automated Fax System	1-800-426-3395 (U.S. and Canada)

During the warranty period, assistance for replacement or exchange of defective components is available. In addition, if your IBM option is installed in an IBM computer, you might be entitled to service at your location. Your technical support representative can help you determine the best alternative.

---

### Telephone technical support

Installation and configuration support through the HelpCenter will be withdrawn or made available for a fee, at IBM's discretion, 90 days after the option has been withdrawn from marketing. Additional support offerings, including step-by-step installation assistance, are available for a nominal fee.

To assist the technical support representative, have available as much of the following information as possible:

- Option name
- Option number
- Proof of purchase
- Computer manufacturer, model, serial number (if IBM), and manual
- Exact wording of the error message (if any)
- Description of the problem
- Hardware and software configuration information for your system

If possible, be at your computer. Your technical support representative might want to walk you through the problem during the call.

For the support telephone number and support hours by country, refer to the following table or to the enclosed technical support insert. Support phone numbers are also available by clicking **HelpCenter phone list** on the IBM support Web page at

<http://www.ibm.com/pc/support>

If the number is not provided, contact your IBM reseller or IBM marketing representative. Response time might vary depending on the number and nature of the calls received.

<i>Support 24 hours a day, 7 days a week</i>	
Canada (Toronto only)	416-383-3344
Canada (all other)	1-800-565-3344
U.S.A. and Puerto Rico	1-800-772-2227

---

## Appendix C. Product warranties and notices

---

### Warranty Statements

The warranty statements consist of two parts: Part 1 and Part 2. Part 1 varies by country. Part 2 is the same for both statements. Be sure to read both the Part 1 that applies to your country and Part 2.

- **United States, Puerto Rico, and Canada (Z125-4753-05 11/97)** (see “IBM Statement of Limited Warranty for United States, Puerto Rico, and Canada (Part 1 - General Terms)”)
- **Worldwide except Canada, Puerto Rico, Turkey, and United States (Z125-5697-01 11/97)** (see “IBM Statement of Warranty Worldwide except Canada, Puerto Rico, Turkey, United States (Part 1 - General Terms)” on page C-5)
- **Worldwide Country-Unique Terms** (see “Part 2 - Worldwide Country-Unique Terms” on page C-8)

---

### IBM Statement of Limited Warranty for United States, Puerto Rico, and Canada (Part 1 - General Terms)

*This Statement of Warranty includes Part 1 - General Terms and Part 2 - Country-unique Terms. The terms of Part 2 may replace or modify those of Part 1. The warranties provided by IBM in this Statement of Warranty apply only to Machines you purchase for your use, and not for resale, from IBM or your reseller. The term "Machine" means an IBM machine, its features, conversions, upgrades, elements, or accessories, or any combination of them. The term "Machine" does not include any software programs, whether pre-loaded with the Machine, installed subsequently or otherwise. Unless IBM specifies otherwise, the following warranties apply only in the country where you acquire the Machine. Nothing in this Statement of Warranty affects any statutory rights of consumers that cannot be waived or limited by contract. If you have any questions, contact IBM or your reseller.*

**Machine** - IBM Wireless Keyboard and Mouse

**Warranty period\*** - One (1) year

*\* Contact your place of purchase for warranty service information. Some IBM Machines are eligible for on-site warranty service depending on the country where service is performed.*

### The IBM Warranty for Machines

IBM warrants that each Machine 1) is free from defects in materials and workmanship and 2) conforms to IBM’s Official Published Specifications. The warranty period for a Machine is a specified, fixed period commencing on its

Date of Installation. The date on your sales receipt is the Date of Installation, unless IBM or your reseller informs you otherwise.

During the warranty period IBM or your reseller, if approved by IBM to provide warranty service, will provide repair and exchange service for the Machine, without charge, under the type of service designated for the Machine and will manage and install engineering changes that apply to the Machine.

If a Machine does not function as warranted during the warranty period, and IBM or your reseller are unable to either 1) make it do so or 2) replace it with one that is at least functionally equivalent, you may return it to your place of purchase and your money will be refunded. The replacement may not be new, but will be in good working order.

### **Extent of Warranty**

The warranty does not cover the repair or exchange of a Machine resulting from misuse, accident, modification, unsuitable physical or operating environment, improper maintenance by you, or failure caused by a product for which IBM is not responsible. The warranty is voided by removal or alteration of Machine or parts identification labels.

**THESE WARRANTIES ARE YOUR EXCLUSIVE WARRANTIES AND REPLACE ALL OTHER WARRANTIES OR CONDITIONS, EXPRESS OR IMPLIED, INCLUDING, BUT NOT LIMITED TO, THE IMPLIED WARRANTIES OR CONDITIONS OF MERCHANTABILITY AND FITNESS FOR A PARTICULAR PURPOSE. THESE WARRANTIES GIVE YOU SPECIFIC LEGAL RIGHTS AND YOU MAY ALSO HAVE OTHER RIGHTS WHICH VARY FROM JURISDICTION TO JURISDICTION. SOME JURISDICTIONS DO NOT ALLOW THE EXCLUSION OR LIMITATION OF EXPRESS OR IMPLIED WARRANTIES, SO THE ABOVE EXCLUSION OR LIMITATION MAY NOT APPLY TO YOU. IN THAT EVENT, SUCH WARRANTIES ARE LIMITED IN DURATION TO THE WARRANTY PERIOD. NO WARRANTIES APPLY AFTER THAT PERIOD.**

### **Items Not Covered by Warranty**

IBM does not warrant uninterrupted or error-free operation of a Machine.

Unless specified otherwise, IBM provides non-IBM machines **WITHOUT WARRANTIES OF ANY KIND.**

Any technical or other support provided for a Machine under warranty, such as assistance via telephone with “how-to” questions and those regarding Machine set-up and installation, will be provided **WITHOUT WARRANTIES OF ANY KIND.**

## Warranty Service

To obtain warranty service for the Machine, contact your reseller or IBM. In the United States, call IBM at 1-800-772-2227. In Canada, call IBM at 1-800-565-3344. (In Toronto, call 416-383-3344.) You may be required to present proof of purchase.

IBM or your reseller provides certain types of repair and exchange service, either at your location or at a service center, to keep Machines in, or restore them to, conformance with their Specifications. IBM or your reseller will inform you of the available types of service for a Machine based on its country of installation. IBM may repair the failing Machine or exchange it at its discretion.

When warranty service involves the exchange of a Machine or part, the item IBM or your reseller replaces becomes its property and the replacement becomes yours. You represent that all removed items are genuine and unaltered. The replacement may not be new, but will be in good working order and at least functionally equivalent to the item replaced. The replacement assumes the warranty service status of the replaced item.

Any feature, conversion, or upgrade IBM or your reseller services must be installed on a Machine which is 1) for certain Machines, the designated, serial-numbered Machine and 2) at an engineering-change level compatible with the feature, conversion, or upgrade. Many features, conversions, or upgrades involve the removal of parts and their return to IBM. A part that replaces a removed part will assume the warranty service status of the removed part.

Before IBM or your reseller exchanges a Machine or part, you agree to remove all features, parts, options, alterations, and attachments not under warranty service.

You also agree to

1. ensure that the Machine is free of any legal obligations or restrictions that prevent its exchange;
2. obtain authorization from the owner to have IBM or your reseller service a Machine that you do not own; and
3. where applicable, before service is provided
  - a. follow the problem determination, problem analysis, and service request procedures that IBM or your reseller provides,
  - b. secure all programs, data, and funds contained in a Machine,
  - c. provide IBM or your reseller with sufficient, free, and safe access to your facilities to permit them to fulfill their obligations, and
  - d. inform IBM or your reseller of changes in a Machine's location.

IBM is responsible for loss of, or damage to, your Machine while it is 1) in IBM's possession or 2) in transit in those cases where IBM is responsible for the transportation charges.

Neither IBM nor your reseller is responsible for any of your confidential, proprietary or personal information contained in a Machine which you return to IBM or your reseller for any reason. You should remove all such information from the Machine prior to its return.

### **Production Status**

Each IBM Machine is manufactured from new parts, or new and used parts. In some cases, the Machine may not be new and may have been previously installed. Regardless of the Machine's production status, IBM's appropriate warranty terms apply.

### **Limitation of Liability**

Circumstances may arise where, because of a default on IBM's part or other liability, you are entitled to recover damages from IBM. In each such instance, regardless of the basis on which you are entitled to claim damages from IBM (including fundamental breach, negligence, misrepresentation, or other contract or tort claim), IBM is liable for no more than

1. damages for bodily injury (including death) and damage to real property and tangible personal property; and
2. the amount of any other actual direct damages, up to the greater of U.S. \$100,000 (or equivalent in local currency) or the charges (if recurring, 12 months' charges apply) for the Machine that is the subject of the claim.

This limit also applies to IBM's suppliers and your reseller. It is the maximum for which IBM, its suppliers, and your reseller are collectively responsible.

**UNDER NO CIRCUMSTANCES IS IBM LIABLE FOR ANY OF THE FOLLOWING: 1) THIRD-PARTY CLAIMS AGAINST YOU FOR DAMAGES (OTHER THAN THOSE UNDER THE FIRST ITEM LISTED ABOVE); 2) LOSS OF, OR DAMAGE TO, YOUR RECORDS OR DATA; OR 3) SPECIAL, INCIDENTAL, OR INDIRECT DAMAGES OR FOR ANY ECONOMIC CONSEQUENTIAL DAMAGES (INCLUDING LOST PROFITS OR SAVINGS), EVEN IF IBM, ITS SUPPLIERS OR YOUR RESELLER IS INFORMED OF THEIR POSSIBILITY. SOME JURISDICTIONS DO NOT ALLOW THE EXCLUSION OR LIMITATION OF INCIDENTAL OR CONSEQUENTIAL DAMAGES, SO THE ABOVE LIMITATION OR EXCLUSION MAY NOT APPLY TO YOU.**



---

## **IBM Statement of Warranty Worldwide except Canada, Puerto Rico, Turkey, United States (Part 1 - General Terms)**

*This Statement of Warranty includes Part 1 - General Terms and Part 2 - Country-unique Terms. **The terms of Part 2 may replace or modify those of Part 1.** The warranties provided by IBM in this Statement of Warranty apply only to Machines you purchase for your use, and not for resale, from IBM or your reseller. The term "Machine" means an IBM machine, its features, conversions, upgrades, elements, or accessories, or any combination of them. The term "Machine" does not include any software programs, whether pre-loaded with the Machine, installed subsequently or otherwise. Unless IBM specifies otherwise, the following warranties apply only in the country where you acquire the Machine. Nothing in this Statement of Warranty affects any statutory rights of consumers that cannot be waived or limited by contract. If you have any questions, contact IBM or your reseller.*

**Machine** - IBM Wireless Keyboard and Mouse

**Warranty period\*** - One (1) year

*\* Contact your place of purchase for warranty service information. Some IBM Machines are eligible for on-site warranty service depending on the country where service is performed.*

### **The IBM Warranty for Machines**

IBM warrants that each Machine 1) is free from defects in materials and workmanship and 2) conforms to IBM's Official Published Specifications. The warranty period for a Machine is a specified, fixed period commencing on its Date of Installation. The date on your sales receipt is the Date of Installation, unless IBM or your reseller informs you otherwise.

During the warranty period IBM or your reseller, if approved by IBM to provide warranty service, will provide repair and exchange service for the Machine, without charge, under the type of service designated for the Machine and will manage and install engineering changes that apply to the Machine.

If a Machine does not function as warranted during the warranty period, and IBM or your reseller are unable to either 1) make it do so or 2) replace it with one that is at least functionally equivalent, you may return it to your place of purchase and your money will be refunded. The replacement may not be new, but will be in good working order.

### **Extent of Warranty**

The warranty does not cover the repair or exchange of a Machine resulting from misuse, accident, modification, unsuitable physical or operating environment, improper maintenance by you, or failure caused by a product for

which IBM is not responsible. The warranty is voided by removal or alteration of Machine or parts identification labels.

**THESE WARRANTIES ARE YOUR EXCLUSIVE WARRANTIES AND REPLACE ALL OTHER WARRANTIES OR CONDITIONS, EXPRESS OR IMPLIED, INCLUDING, BUT NOT LIMITED TO, THE IMPLIED WARRANTIES OR CONDITIONS OF MERCHANTABILITY AND FITNESS FOR A PARTICULAR PURPOSE. THESE WARRANTIES GIVE YOU SPECIFIC LEGAL RIGHTS AND YOU MAY ALSO HAVE OTHER RIGHTS WHICH VARY FROM JURISDICTION TO JURISDICTION. SOME JURISDICTIONS DO NOT ALLOW THE EXCLUSION OR LIMITATION OF EXPRESS OR IMPLIED WARRANTIES, SO THE ABOVE EXCLUSION OR LIMITATION MAY NOT APPLY TO YOU. IN THAT EVENT, SUCH WARRANTIES ARE LIMITED IN DURATION TO THE WARRANTY PERIOD. NO WARRANTIES APPLY AFTER THAT PERIOD.**

### **Items Not Covered by Warranty**

IBM does not warrant uninterrupted or error-free operation of a Machine.

Unless specified otherwise, IBM provides non-IBM machines **WITHOUT WARRANTIES OF ANY KIND.**

Any technical or other support provided for a Machine under warranty, such as assistance via telephone with “how-to” questions and those regarding Machine set-up and installation, will be provided **WITHOUT WARRANTIES OF ANY KIND.**

### **Warranty Service**

To obtain warranty service for the Machine, contact your reseller or IBM. You may be required to present proof of purchase.

IBM or your reseller provides certain types of repair and exchange service, either at your location or at a service center, to keep Machines in, or restore them to, conformance with their Specifications. IBM or your reseller will inform you of the available types of service for a Machine based on its country of installation. IBM may repair the failing Machine or exchange it at its discretion.

When warranty service involves the exchange of a Machine or part, the item IBM or your reseller replaces becomes its property and the replacement becomes yours. You represent that all removed items are genuine and unaltered. The replacement may not be new, but will be in good working order and at least functionally equivalent to the item replaced. The replacement assumes the warranty service status of the replaced item.

Any feature, conversion, or upgrade IBM or your reseller services must be installed on a Machine which is 1) for certain Machines, the designated, serial-numbered Machine and 2) at an engineering-change level compatible with the feature, conversion, or upgrade. Many features, conversions, or upgrades involve the removal of parts and their return to IBM. A part that replaces a removed part will assume the warranty service status of the removed part.

Before IBM or your reseller exchanges a Machine or part, you agree to remove all features, parts, options, alterations, and attachments not under warranty service.

You also agree to

1. ensure that the Machine is free of any legal obligations or restrictions that prevent its exchange;
2. obtain authorization from the owner to have IBM or your reseller service a Machine that you do not own; and
3. where applicable, before service is provided
  - a. follow the problem determination, problem analysis, and service request procedures that IBM or your reseller provides,
  - b. secure all programs, data, and funds contained in a Machine,
  - c. provide IBM or your reseller with sufficient, free, and safe access to your facilities to permit them to fulfill their obligations, and
  - d. inform IBM or your reseller of changes in a Machine's location.

IBM is responsible for loss of, or damage to, your Machine while it is 1) in IBM's possession or 2) in transit in those cases where IBM is responsible for the transportation charges.

Neither IBM nor your reseller is responsible for any of your confidential, proprietary or personal information contained in a Machine which you return to IBM or your reseller for any reason. You should remove all such information from the Machine prior to its return.

### **Production Status**

Each IBM Machine is manufactured from new parts, or new and used parts. In some cases, the Machine may not be new and may have been previously installed. Regardless of the Machine's production status, IBM's appropriate warranty terms apply.

### **Limitation of Liability**

Circumstances may arise where, because of a default on IBM's part or other liability, you are entitled to recover damages from IBM. In each such instance, regardless of the basis on which you are entitled to claim damages from IBM

(including fundamental breach, negligence, misrepresentation, or other contract or tort claim), IBM is liable for no more than

1. damages for bodily injury (including death) and damage to real property and tangible personal property; and
2. the amount of any other actual direct damages, up to the greater of U.S. \$100,000 (or equivalent in local currency) or the charges (if recurring, 12 months' charges apply) for the Machine that is the subject of the claim.

This limit also applies to IBM's suppliers and your reseller. It is the maximum for which IBM, its suppliers, and your reseller are collectively responsible.

**UNDER NO CIRCUMSTANCES IS IBM LIABLE FOR ANY OF THE FOLLOWING: 1) THIRD-PARTY CLAIMS AGAINST YOU FOR DAMAGES (OTHER THAN THOSE UNDER THE FIRST ITEM LISTED ABOVE); 2) LOSS OF, OR DAMAGE TO, YOUR RECORDS OR DATA; OR 3) SPECIAL, INCIDENTAL, OR INDIRECT DAMAGES OR FOR ANY ECONOMIC CONSEQUENTIAL DAMAGES (INCLUDING LOST PROFITS OR SAVINGS), EVEN IF IBM, ITS SUPPLIERS OR YOUR RESELLER IS INFORMED OF THEIR POSSIBILITY. SOME JURISDICTIONS DO NOT ALLOW THE EXCLUSION OR LIMITATION OF INCIDENTAL OR CONSEQUENTIAL DAMAGES, SO THE ABOVE LIMITATION OR EXCLUSION MAY NOT APPLY TO YOU.**

---

## **Part 2 - Worldwide Country-Unique Terms**

### **ASIA PACIFIC**

**AUSTRALIA: The IBM Warranty for Machines:** The following paragraph is added to this Section: The warranties specified in this Section are in addition to any rights you may have under the Trade Practices Act 1974 or other legislation and are only limited to the extent permitted by the applicable legislation.

**Extent of Warranty:** The following replaces the first and second sentences of this Section: The warranty does not cover the repair or exchange of a Machine resulting from misuse, accident, modification, unsuitable physical or operating environment, operation in other than the Specified Operating Environment, improper maintenance by you, or failure caused by a product for which IBM is not responsible.

**Limitation of Liability:** The following is added to this Section: Where IBM is in breach of a condition or warranty implied by the Trade Practices Act 1974, IBM's liability is limited to the repair or replacement of the goods or the supply of equivalent goods. Where that condition or warranty relates to right to sell, quiet possession or clear title, or the goods are of a kind ordinarily

acquired for personal, domestic or household use or consumption, then none of the limitations in this paragraph apply.

**PEOPLE'S REPUBLIC OF CHINA: Governing Law:** The following is added to this Statement: The laws of the State of New York govern this Statement.

**INDIA: Limitation of Liability:** The following replaces items 1 and 2 of this Section:

1. liability for bodily injury (including death) or damage to real property and tangible personal property will be limited to that caused by IBM's negligence;
2. as to any other actual damage arising in any situation involving nonperformance by IBM pursuant to, or in any way related to the subject of this Statement of Warranty, IBM's liability will be limited to the charge paid by you for the individual Machine that is the subject of the claim.

**NEW ZEALAND: The IBM Warranty for Machines:** The following paragraph is added to this Section: The warranties specified in this Section are in addition to any rights you may have under the Consumer Guarantees Act 1993 or other legislation which cannot be excluded or limited. The Consumer Guarantees Act 1993 will not apply in respect of any goods which IBM provides, if you require the goods for the purposes of a business as defined in that Act.

**Limitation of Liability:** The following is added to this Section: Where Machines are not acquired for the purposes of a business as defined in the Consumer Guarantees Act 1993, the limitations in this Section are subject to the limitations in that Act.

## **EUROPE, MIDDLE EAST, AFRICA (EMEA)**

**The following terms apply to all EMEA countries.**

The terms of this Statement of Warranty apply to Machines purchased from an IBM reseller. If you purchased this Machine from IBM, the terms and conditions of the applicable IBM agreement prevail over this warranty statement.

### **Warranty Service**

If you purchased an IBM Machine in Austria, Belgium, Denmark, Estonia, Finland, France, Germany, Greece, Iceland, Ireland, Italy, Latvia, Lithuania, Luxembourg, Netherlands, Norway, Portugal, Spain, Sweden, Switzerland or United Kingdom, you may obtain warranty service for that Machine in any of those countries from either (1) an IBM reseller approved to perform warranty service or (2) from IBM.

If you purchased an IBM Personal Computer Machine in Albania, Armenia, Belarus, Bosnia and Herzegovina, Bulgaria, Croatia, Czech Republic, Georgia, Hungary, Kazakhstan, Kirghizia, Federal Republic of Yugoslavia, Former Yugoslav Republic of Macedonia (FYROM), Moldova, Poland, Romania, Russia, Slovak Republic, Slovenia, or Ukraine, you may obtain warranty service for that Machine in any of those countries from either (1) an IBM reseller approved to perform warranty service or (2) from IBM.

The applicable laws, Country-unique terms and competent court for this Statement are those of the country in which the warranty service is being provided. However, the laws of Austria govern this Statement if the warranty service is provided in Albania, Armenia, Belarus, Bosnia and Herzegovina, Bulgaria, Croatia, Czech Republic, Federal Republic of Yugoslavia, Georgia, Hungary, Kazakhstan, Kirghizia, Former Yugoslav Republic of Macedonia (FYROM), Moldova, Poland, Romania, Russia, Slovak Republic, Slovenia, and Ukraine.

**The following terms apply to the country specified:**

**EGYPT: Limitation of Liability:** The following replaces item 2 in this Section: 2. as to any other actual direct damages, IBM's liability will be limited to the total amount you paid for the Machine that is the subject of the claim.

Applicability of suppliers and resellers (unchanged).

**FRANCE: Limitation of Liability:** The following replaces the second sentence of the first paragraph of this Section: In such instances, regardless of the basis on which you are entitled to claim damages from IBM, IBM is liable for no more than: (items 1 and 2 unchanged).

**GERMANY: The IBM Warranty for Machines:** The following replaces the first sentence of the first paragraph of this Section: The warranty for an IBM Machine covers the functionality of the Machine for its normal use and the Machine's conformity to its Specifications.

The following paragraphs are added to this Section: The minimum warranty period for Machines is six months.

In case IBM or your reseller are unable to repair an IBM Machine, you can alternatively ask for a partial refund as far as justified by the reduced value of the unrepaired Machine or ask for a cancellation of the respective agreement for such Machine and get your money refunded.

**Extent of Warranty:** The second paragraph does not apply.

**Warranty Service:** The following is added to this Section: During the warranty period, transportation for delivery of the failing Machine to IBM will be at IBM's expense.

**Production Status:** The following paragraph replaces this Section: Each Machine is newly manufactured. It may incorporate in addition to new parts, re-used parts as well.

**Limitation of Liability:** The following is added to this Section: The limitations and exclusions specified in the Statement of Warranty will not apply to damages caused by IBM with fraud or gross negligence and for express warranty.

In item 2, replace "U.S. \$100,000" with "1.000.000 DEM."

The following sentence is added to the end of the first paragraph of item 2: IBM's liability under this item is limited to the violation of essential contractual terms in cases of ordinary negligence.

**IRELAND: Extent of Warranty:** The following is added to this Section: Except as expressly provided in these terms and conditions, all statutory conditions, including all warranties implied, but without prejudice to the generality of the foregoing all warranties implied by the Sale of Goods Act 1893 or the Sale of Goods and Supply of Services Act 1980 are hereby excluded.

**Limitation of Liability:** The following replaces items one and two of the first paragraph of this Section: 1. death or personal injury or physical damage to your real property solely caused by IBM's negligence; and 2. the amount of any other actual direct damages, up to the greater of Irish Pounds 75,000 or 125 percent of the charges (if recurring, the 12 months' charges apply) for the Machine that is the subject of the claim or which otherwise gives rise to the claim.

Applicability of suppliers and resellers (unchanged).

The following paragraph is added at the end of this Section: IBM's entire liability and your sole remedy, whether in contract or in tort, in respect of any default shall be limited to damages.

**ITALY: Limitation of Liability:** The following replaces the second sentence in the first paragraph: In each such instance unless otherwise provided by mandatory law, IBM is liable for no more than: (item 1 unchanged) 2) as to any other actual damage arising in all situations involving non-performance by IBM pursuant to, or in any way related to the subject matter of this Statement of Warranty, IBM's liability, will be limited to the total amount you paid for the Machine that is the subject of the claim.

Applicability of suppliers and resellers (unchanged).

The following replaces the second paragraph of this Section: Unless otherwise provided by mandatory law, IBM and your reseller are not liable for any of the following: (items 1 and 2 unchanged) 3) indirect damages, even if IBM or your reseller is informed of their possibility.

**SOUTH AFRICA, NAMIBIA, BOTSWANA, LESOTHO AND SWAZILAND:**

**Limitation of Liability:** The following is added to this Section: IBM's entire liability to you for actual damages arising in all situations involving nonperformance by IBM in respect of the subject matter of this Statement of Warranty will be limited to the charge paid by you for the individual Machine that is the subject of your claim from IBM.

**TURKEY: Production Status:** The following replaces this Section: IBM fulfills customer orders for IBM Machines as newly manufactured in accordance with IBM's production standards.

**UNITED KINGDOM: Limitation of Liability:** The following replaces items 1 and 2 of the first paragraph of this Section:

1. death or personal injury or physical damage to your real property solely caused by IBM's negligence;
2. the amount of any other actual direct damages or loss, up to the greater of Pounds Sterling 150,000 or 125 percent of the charges (if recurring, the 12 months' charges apply) for the Machine that is the subject of the claim or which otherwise gives rise to the claim.

The following item is added to this paragraph: 3. breach of IBM's obligations implied by Section 12 of the Sale of Goods Act 1979 or Section 2 of the Supply of Goods and Services Act 1982.

Applicability of suppliers and resellers (unchanged).

The following is added to the end of this Section: IBM's entire liability and your sole remedy, whether in contract or in tort, in respect of any default will be limited to damages.

**NORTH AMERICA**

**CANADA: Warranty Service:** The following is added to this section: To obtain warranty service from IBM, call **1-800-565-3344**. In Toronto, call **416-383-3344**.

**UNITED STATES OF AMERICA: Warranty Service:** The following is added to this section: To obtain warranty service from IBM, call **1-800-772-2227**.



---

## Notices

This publication was developed for products and services offered in the U.S.A.

IBM may not offer the products, services, or features discussed in this document in other countries. Consult your local IBM representative for information on the products and services currently available in your area. Any reference to an IBM product, program, or service is not intended to state or imply that only that IBM product, program, or service may be used. Any functionally equivalent product, program, or service that does not infringe any IBM intellectual property right may be used instead. However, it is the user's responsibility to evaluate and verify the operation of any non-IBM product, program, or service.

IBM may have patents or pending patent applications covering subject matter described in this document. The furnishing of this document does not give you any license to these patents. You can send license inquiries, in writing, to:

*IBM Director of Licensing  
IBM Corporation  
North Castle Drive  
Armonk, NY 10504-1785  
U.S.A.*

**The following paragraph does not apply to the United Kingdom or any country where such provisions are inconsistent with local law:**

INTERNATIONAL BUSINESS MACHINES CORPORATION PROVIDES THIS PUBLICATION "AS IS" WITHOUT WARRANTY OF ANY KIND, EITHER EXPRESS OR IMPLIED, INCLUDING, BUT NOT LIMITED TO, THE IMPLIED WARRANTIES OF NON-INFRINGEMENT, MERCHANTABILITY OR FITNESS FOR A PARTICULAR PURPOSE. Some states do not allow disclaimer of express or implied warranties in certain transactions, therefore, this statement may not apply to you.

This information could include technical inaccuracies or typographical errors. Changes are periodically made to the information herein; these changes will be incorporated in new editions of the publication. IBM may make improvements and/or changes in the product(s) and/or the program(s) described in this publication at any time without notice.

IBM may use or distribute any of the information you supply in any way it believes appropriate without incurring any obligation to you.

Any performance data contained herein was determined in a controlled environment. Therefore, the result obtained in other operating environments may vary significantly. Some measurements may have been made on development-level systems and there is no guarantee that these measurements

will be the same on generally available systems. Furthermore, some measurements may have been estimated through extrapolation. Actual results may vary. Users of this document should verify the applicable data for their specific environment.

---

## **Trademarks**

The following terms are trademarks of the IBM Corporation in the United States or other countries or both:

IBM

HelpCenter

ScrollPoint

Microsoft and Windows are trademarks of the Microsoft Corporation.

Other company, product, and service names may be trademarks or service marks of others.

---

## Federal Communications Commission (FCC) statement

**Note:** This equipment has been tested and found to comply with the limits for a Class B digital device, pursuant to Part 15 of the FCC Rules. These limits are designed to provide reasonable protection against harmful interference in a residential installation. This equipment generates, uses, and can radiate radio frequency energy and, if not installed and used in accordance with the instructions, may cause harmful interference to radio communications. However, there is no guarantee that interference will not occur in a particular installation. If this equipment does cause harmful interference to radio or television reception, which can be determined by turning the equipment off and on, the user is encouraged to try to correct the interference by one or more of the following measures:


- Reorient or relocate the receiving antenna.
- Increase the separation between the equipment and receiver.
- Connect the equipment into an outlet on a circuit different from that to which the receiver is connected.
- Consult an IBM authorized dealer or service representative for help.

Properly shielded and grounded cables and connectors must be used in order to meet FCC emission limits. Proper cables and connectors are available from IBM authorized dealers. IBM is not responsible for any radio or television interference caused by using other than recommended cables and connectors or by unauthorized changes or modifications to this equipment. Unauthorized changes or modifications could void the user's authority to operate the equipment.

This device complies with Part 15 of the FCC Rules. Operation is subject to the following two conditions: (1) this device may not cause harmful interference, and (2) this device must accept any interference received, including interference that may cause undesired operation.

Responsible party:

International Business Machines Corporation  
New Orchard Road  
Armonk, NY 10504  
Telephone: 1-919-543-2193

 Tested To Comply  
With FCC Standards  
FOR HOME OR OFFICE USE

## **Industry Canada Class B emission compliance statement**

This Class B digital apparatus complies with Canadian ICES-003.

## **Avis de conformité à la réglementation d'Industrie Canada**

Cet appareil numérique de classe B est conforme à la norme NMB-003 du Canada.

## **Deutsche EMV-Direktive (electromagnetische Verträglichkeit)**

Dieses Gerät ist berechtigt in Übereinstimmung mit dem deutschen EMVG vom 9.Nov.92 das EG-Konformitätszeichen zu führen.

Der Aussteller der Konformitätserklärung ist die IBM UK, Greenock.

Dieses Gerät erfüllt die Bedingungen der EN 55022 Klasse B.

## **European Union - emission directive**

This product is in conformity with the protection requirements of EU Council Directive 89/366/ECC on the approximation of the laws of the Member States relating to electromagnetic compatibility.

IBM can not accept responsibility for any failure to satisfy the protection requirements resulting from a non-recommended modification of the product, including the fitting of non-IBM option cards.

This product has been tested and found to comply with the limits for Class B Information Technology Equipment according to CISPR 22/European Standard EN 55022. The limits for Class B equipment were derived for typical residential environments to provide reasonable protection against interference with licensed communication devices.

## **Union Européenne - Directive Conformité électromagnétique**

Ce produit est conforme aux exigences de protection de la Directive 89/336/EEC du Conseil de l'UE sur le rapprochement des lois des États membres en matière de compatibilité électromagnétique.

IBM ne peut accepter aucune responsabilité pour le manquement aux exigences de protection résultant d'une modification non recommandée du produit, y compris l'installation de cartes autres que les cartes IBM.

Ce produit a été testé et il satisfait les conditions de l'équipement informatique de Classe B en vertu de CISPR22/Standard européen EN 55022. Les conditions

pour l'équipement de Classe B ont été définies en fonction d'un contexte résidentiel ordinaire afin de fournir une protection raisonnable contre l'interférence d'appareils de communication autorisés.

### **Unione Europea - Directiva EMC (Conformidad electromagnética)**

Este producto satisface los requisitos de protección del Consejo de la UE, Directiva 89/336/CEE en lo que a la legislación de los Estados Miembros sobre compatibilidad electromagnética se refiere.

IBM no puede aceptar responsabilidad alguna si este producto deja de satisfacer dichos requisitos de protección como resultado de una modificación no recomendada del producto, incluyendo el ajuste de tarjetas de opción que no sean IBM.

Este producto ha sido probado y satisface los límites para Equipos Informáticos Clase B de conformidad con el Estándar CISPR22 y el Estándar Europeo EN 55022. Los límites para los equipos de Clase B se han establecido para entornos residenciales típicos a fin de proporcionar una protección razonable contra las interferencias con dispositivos de comunicación licenciados.

### **Union Europea - Normativa EMC**

Questo prodotto è conforme alle normative di protezione ai sensi della Direttiva del Consiglio dell'Unione Europea 89/336/CEE sull'armonizzazione legislativa degli stati membri in materia di compatibilità elettromagnetica.

IBM non accetta responsabilità alcuna per la mancata conformità alle normative di protezione dovuta a modifiche non consigliate al prodotto, compresa l'installazione di schede e componenti di marca diversa da IBM.

Le prove effettuate sul presente prodotto hanno accertato che esso rientra nei limiti stabiliti per le apparecchiature di informatica Classe B ai sensi del CISPR 22/Norma Europea EN 55022. I limiti delle apparecchiature della Classe B sono stati stabiliti al fine di fornire ragionevole protezione da interferenze mediante dispositivi di comunicazione in concessione in ambienti residenziali tipici.

### **Korean B급 규격 증명서**

이 장치는 옥내용으로 보증되었으며 모든 환경에서 사용할 수 있습니다.

この装置は、情報処理装置等電波障害自主規制協議会（VCCI）の基準に基づくクラスB情報技術装置です。この装置は、家庭環境で使用することを目的としていますが、この装置がラジオやテレビジョン受信機に近接して使用されると、受信障害を引き起こすことがあります。  
取扱説明書に従って正しい取り扱いをして下さい。





Printed in the United States of America  
on recycled paper containing 10%  
recovered post-consumer fiber.