

# ThinkPad Computer Hardware Maintenance Manual

**September 2005**

**This manual supports:**

**ThinkPad X41**

**(MT 1864, 1865, 2525, 2526, 2527, 2528)**

**Note**

Before using this information and the product it supports, be sure to read the general information under “Notices” on page 140.

**First Edition (September 2005)**

**© Copyright Lenovo 2005.**

**Portions © Copyright International Business Machines Corporation 2005.**

**All rights reserved.**

**U.S. GOVERNMENT USERS – RESTRICTED RIGHTS:**

Our products and/or services are provided with RESTRICTED RIGHTS. Use, duplication or disclosure by the Government is subject to the GSA ADP Schedule contract with Lenovo Group Limited, if any, or the standard terms of this commercial license, or if the agency is unable to accept this Program under these terms, then we provide this Program under the provisions set forth in Commercial Computer Software–Restricted Rights at FAR 52.227-19, when applicable, or under Rights in Data-General, FAR 52.227.14 (Alternate III).

---

# Contents

<b>About this manual</b>	<b>1</b>
<b>Introduction</b>	<b>3</b>
Important service information	3
Strategy for replacing FRUs	3
Strategy for replacing a hard disk drive	4
How to use error messages	4
Strategy for replacing FRUs for CTO, CMV, and GAV	4
Product definition	4
FRU identification for CTO, CMV, and GAV products	5
Important information about replacing RoHS compliant FRUs	7
Diskette compatibility matrix	8
Safety notices: multilingual translations	8
Safety information	20
General safety	20
Electrical safety	21
Safety inspection guide	23
Handling devices that are sensitive to electrostatic discharge	24
Grounding requirements	25
Laser compliance statement	26
<b>General descriptions</b>	<b>29</b>
Read this first	29
What to do first	29
Related service information	31
Service Web site	31
Restoring the preloaded system	31
Recovering the hard disk to original contents	34
Passwords	37
Power management	39
Checkout guide	42
Testing the computer	42
Detecting system information with PC-Doctor	45
Power system checkout	45
<b>ThinkPad X41</b>	<b>49</b>
Product overview	51
Specifications	51
Status indicators for X41	53
FRU tests	55
Fn key combinations	57
Symptom-to-FRU index	59
Numeric error codes	59
Error messages	67
Beep symptoms	69
No-beep symptoms	69
LCD-related symptoms	70
Intermittent problems	71

Undetermined problems . . . . .	71
FRU replacement notices . . . . .	72
Screw notices . . . . .	72
Retaining serial numbers. . . . .	73
Removing and replacing a FRU. . . . .	76
1010 Battery pack. . . . .	77
1020 Hard disk drive . . . . .	78
1030 DIMM cover. . . . .	79
1040 Mini PCI adapter, DIMM, MDC-2, and BMDC-3. . . . .	80
1050 Keyboard . . . . .	83
1060 Upper case . . . . .	86
1070 Fingerprint board . . . . .	89
1080 Backup battery . . . . .	91
1090 LCD module. . . . .	92
1100 Hard disk housing assembly . . . . .	95
1110 Top shielding . . . . .	96
1120 Lower case . . . . .	97
1130 Fansink. . . . .	101
2010 LCD bezel . . . . .	102
2020 LCD. . . . .	105
2030 Inverter card . . . . .	106
2040 Antenna L and antenna R . . . . .	108
2050 Hinge L and hinge R . . . . .	112
2060 Bluetooth antenna cable . . . . .	114
Locations . . . . .	115
Front view for X41 series . . . . .	115
Rear view for X41 series . . . . .	116
Bottom view for X41 series. . . . .	117
Front View for X4 UltraBase Dock . . . . .	118
Rear View for X4 UltraBase Dock. . . . .	119
Parts list . . . . .	120
Overall . . . . .	120
LCD FRUs . . . . .	130
Keyboard . . . . .	131
Recovery CDs . . . . .	133
Miscellaneous parts . . . . .	134
Optional FRUs . . . . .	135
AC adapters . . . . .	136
Common parts list . . . . .	137
Notices . . . . .	140
Trademarks . . . . .	142

---

## About this manual

This manual contains service and reference information for ThinkPad® X41 (MT 1864/1865/2525/2526/2527/2528) product. Use this manual along with the advanced diagnostic tests to troubleshoot problems.

The manual is divided into sections as follows:

- The common sections provide general information, guidelines, and safety information required in servicing computers.
- The product-specific section includes service, reference, and product-specific parts information.

### **Important**

This manual is intended for trained service personnel who are familiar with ThinkPad products. Use this manual along with the advanced diagnostic tests to troubleshoot problems effectively.

Before servicing a ThinkPad product, be sure to review the safety information under “Safety notices: multilingual translations” on page 8, “Safety information” on page 20, and “Laser compliance statement” on page 26.



---

## Introduction

---

### Important service information

#### Important

BIOS and device driver fixes are customer-installable. The BIOS and device drivers are posted on the customer support site <http://www.lenovo.com/think/support>

Advise customers to contact the Customer Support Center at 800-426-7378 if they need assistance in obtaining or installing any diskette fixes.

Customers in Canada should call the Customer Support Center at 800-565-3344 for assistance or download information.

---

### Strategy for replacing FRUs

#### Before replacing parts

Make sure that all diskette fixes are installed before replacing any FRUs listed in this manual.

Use the following strategy to prevent unnecessary expense for replacing and servicing FRUs:

- **If you are instructed to replace a FRU but the replacement does not correct the problem, reinstall the original FRU before you continue.**
- Some computers have both a processor board and a system board. If you are instructed to replace either the processor board or the system board, and replacing one of them does not correct the problem, reinstall that board, and then replace the other one.
- If an adapter or a device consists of more than one FRU, any of the FRUs may be the cause of the error. Before replacing the adapter or device, remove the FRUs, one by one, to see if the symptoms change. Replace only the FRU that changed the symptoms.

**Attention:** The setup configuration on the computer you are servicing may have been customized. Running Automatic Configuration may alter the settings. Note the current configuration settings (using the View Configuration option); then, when service has been completed, verify that those settings remain in effect.

## **Strategy for replacing a hard disk drive**

Always try to run a low-level format before replacing a hard disk drive.

**Attention:** The drive startup sequence in the computer you are servicing may have been changed. Be extremely careful during write operations such as copying, saving, or formatting. If you select an incorrect drive, data or programs can be overwritten.

## **How to use error messages**

Use the error codes displayed on the screen to diagnose failures. If more than one error code is displayed, begin the diagnosis with the first error code. Whatever causes the first error code may also cause false error codes. If no error code is displayed, see whether the error symptom is listed in the Symptom-to-FRU Index for the computer you are servicing.

---

## **Strategy for replacing FRUs for CTO, CMV, and GAV**

### **Product definition**

#### **Dynamic Configure To Order (CTO)**

This provides the ability for a customer to configure an IBM® solution from an eSite, and have this configuration sent to fulfillment, where it is built and shipped directly to the customer. The machine label, PC Entitlement Warehouse (PEW), eSupport, and the HMM will load these products as the 4-digit MT and 3-digit model, where model = "CTO" (Example: 1829-CTO).

#### **Custom Model Variant (CMV)**

This is a unique configuration that has been negotiated between IBM and the customer. A unique 4-digit MT and 3-digit model is provided to the customer to place orders (Example: 1829-W15). A CMV is a special bid offering. Therefore, it is NOT generally announced.

- The MTM portion of the machine label is the 4-digit MT and 3-digit model, where model = "CTO" (Example: 1829-CTO). The PRODUCT ID portion of the machine label is the 4-digit MT and 3-digit CMV model (Example: 1829-W15).
- The PEW record is the 4-digit MT and 3-digit model, where model = "CTO" (Example: 1829-CTO).
- eSupport will show both the CTO and CMV machine type models (Example: 1829-CTO and 1829-W15 will be found on the eSupport site.)



- The HMM will have the 4-digit MT and 3-digit CTO model only (Example: 1829-CTO). Again, CMVs are custom models and are not found in the HMM.

### **General Announce Variant (GAV)**

This is a standard model (fixed configuration). GAVs are announced and offered to all customers. The MTM portion of the machine label is a 4-digit MT and 3-digit model, where model = a “fixed part number”, not “CTO” (Example: 1829-F1U). Also, PEW, eSupport, and the HMM will list these products under the same fixed model number.

## **FRU identification for CTO, CMV, and GAV products**

There are three information resources to identify which FRUs are used to support CTO, CMV, and GAV products. These sources are PEW, eSupport, and the HMM.

### **Using PEW**

- **PEW** is the primary source for identifying FRU part numbers and FRU descriptions for the key commodities for CTO, CMV and GAV products at a MT - serial number level. An example of key commodities are hard disk drives, system boards, microprocessors, Liquid Crystal Displays (LCDs), and memory.
- Remember, All CTO and CMV products are loaded in PEW under the 4-digit MT and 3-digit model, where model = “CTO” (Example: 1829-CTO). GAVs are loaded in PEW under the 4-digit MT and 3-digit model, where model = a “fixed part number”, not “CTO” (Example: 1829-F1U).
- PEW can be accessed at the following Web site:  
<http://w3-3.ibm.com/pc/entitle>  
Click on MACHINE LOOKUP, followed by WARRANTY INFORMATION. Input the MT and the Serial number and the list of key commodities will be returned in the PEW record under COMPONENT INFORMATION.
- **Business Partners** using Eclaim will access PEW when performing Entitlement Lookup. Business Partners will enter Loc ID, MT and Serial, and the key commodities will be returned in the Eclaim record under SYSTEM DETAILS.
- Authorized IBM Business Partners can access Eclaim at the following Web site: <https://wca.eclaim.com>

### **Using eSupport**

**For Key Commodities (Examples - hard disk drive, system board, microprocessor, LCD, and memory)**

### *Important service information*

- eSupport can be used to view the list of key commodities built in a particular machine serial (this is the same record found in PEW).
- eSupport can be accessed at the following Web site:  
<http://www.lenovo.com/think/support>
- To view the key commodities, click on PARTS INFORMATION, then PARTS LOOKUP. Type in the model type and serial number. The key commodities will be returned in the eSupport record under PARTS SHIPPED WITH YOUR SYSTEM.

### **For the Remaining FRUs (the complete list of FRUs at the MT Model level)**

- eSupport can be used to view the complete list of FRUs for a machine type and model.
- To view the complete list of FRUs, type in the machine type and model (Example: 1829-CTO) under QUICK PATH. Under “View by Document Type” select PARTS INFORMATION. Under “Filter by Category” select SERVICE PARTS. Under “Parts Information by Date” select SYSTEM SERVICE PARTS. The list of service parts by description, with applicable machine type model and FRU will be displayed.

### **Using the HMM**

Use the HMM as a back-up to PEW and eSupport to view the complete list of FRUs at the MT Model level.

## **Important information about replacing RoHS compliant FRUs**

**RoHS, The Restriction of Hazardous Substances in Electrical and Electronic Equipment Directive (2002/95/EC) is a European Union legal requirement affecting the global electronics industry. RoHS requirements must be implemented on Lenovo products placed on the market after June 2006. Products on the market before June 2006 are not required to have RoHS compliant parts. So, if the original FRU parts are non compliant, replacement parts can also be non compliant. In all cases if the original FRU parts are RoHS compliant the replacement part must also be RoHS compliant.**

Lenovo plans to transition to RoHS compliance well before the implementation date and expects its suppliers to be ready to support Lenovo's requirements and schedule. Products sold in 2005, will contain some RoHS compliant FRUs. The following statement pertains to these products and any product Lenovo produces containing RoHS compliant FRUs.

RoHS compliant FRUs have unique FRU part numbers. Before or after the RoHS implementation date, failed RoHS compliant parts must always be replaced using RoHS compliant FRUs, so only the FRUs identified as compliant in the system HMM or direct substitutions for those FRUs may be used.

Products marketed before June 2006		Products marketed after June 2006	
Current or original part	Replacement FRU	Current or original part	Replacement FRU
Non-RoHS	Can be Non-RoHS	Must be RoHS	Must be RoHS
Non-RoHS	Can be RoHS		
Non-RoHS	Can sub to RoHS		
RoHS	Must be RoHS		

**Note:** A direct substitution is a part with a different FRU part number that is automatically shipped by the distribution center at the time of the order.

Related web URLs are:

- IBM Information for Suppliers website:  
<http://www-03.ibm.com/procurement/proweb.nsf/ContentDocsByTitle/United+States~Information+for+suppliers>
- RoHS Directive:  
[http://europa.eu.int/eur-lex/pri/en/oj/dat/2003/1\\_037/1\\_03720030213en00190023.pdf](http://europa.eu.int/eur-lex/pri/en/oj/dat/2003/1_037/1_03720030213en00190023.pdf)
- California Senate Bills 20, 50:  
<http://www.ciwmb.ca.gov/HHW/Events/AnnualConf/2004/Presentation/MPaparian.pdf>

---

## Diskette compatibility matrix

The compatibility of each of the drives with the diskettes for it is as follows:

Diskette drive	Diskette capacity	Compatibility
3.5-inch	1.0 MB	Read and write
	2.0 MB	Read and write
	4.0 MB	Not compatible

---

## Safety notices: multilingual translations

In this manual, safety notices appear in English with a page number reference to the appropriate multilingual, translated safety notice found in this section.

The following safety notices are provided in English, French, German, Hebrew, Italian, and Spanish.

## Safety notice 1

Before the computer is powered on after FRU replacement, make sure all screws, springs, and other small parts are in place and are not left loose inside the computer. Verify this by shaking the computer and listening for rattling sounds. Metallic parts or metal flakes can cause electrical shorts.

Avant de remettre l'ordinateur sous tension après remplacement d'une unité en clientèle, vérifiez que tous les ressorts, vis et autres pièces sont bien en place et bien fixées. Pour ce faire, secouez l'unité et assurez-vous qu'aucun bruit suspect ne se produit. Des pièces métalliques ou des copeaux de métal pourraient causer un court-circuit.

Bevor nach einem FRU-Austausch der Computer wieder angeschlossen wird, muß sichergestellt werden, daß keine Schrauben, Federn oder andere Kleinteile fehlen oder im Gehäuse vergessen wurden. Der Computer muß geschüttelt und auf Klappergeräusche geprüft werden. Metallteile oder-splitter können Kurzschlüsse erzeugen.

לפני הפעלת המחשב לאחר החלפת FRU יש לוודא שכל הברגים, הקפיצים, וחלקים קטנים אחרים נמצאים במקומם ואינם חופשיים לזוז בתוך המחשב. כדי לוודא זאת, יש לטלטל את המחשב ולהקשיב לגילוי קולות שקשוק. חלקי או שבבי מתכת עלולים לגרום לקצרים חשמליים.

Prima di accendere l'elaboratore dopo che é stata effettuata la sostituzione di una FRU, accertarsi che tutte le viti, le molle e tutte le altre parti di piccole dimensioni siano nella corretta posizione e non siano sparse all'interno dell'elaboratore. Verificare ciò scuotendo l'elaboratore e prestando attenzione ad eventuali rumori; eventuali parti o pezzetti metallici possono provocare cortocircuiti pericolosi.

Antes de encender el sistema despues de sustituir una FRU, compruebe que todos los tornillos, muelles y demás piezas pequeñas se encuentran en su sitio y no se encuentran sueltas dentro del sistema. Compruébelo agitando el sistema y escuchando los posibles ruidos que provocarían. Las piezas metálicas pueden causar cortocircuitos eléctricos.

## Safety notice 2



**Some standby batteries contain a small amount of nickel and cadmium. Do not disassemble a standby battery, recharge it, throw it into fire or water, or short-circuit it. Dispose of the battery as required by local ordinances or regulations. Use only the battery in the appropriate parts listing. Use of an incorrect battery can result in ignition or explosion of the battery.**

**Certaines batteries de secours contiennent du nickel et du cadmium. Ne les démontez pas, ne les rechargez pas, ne les exposez ni au feu ni à l'eau. Ne les mettez pas en court-circuit. Pour les mettre au rebut, conformez-vous à la réglementation en vigueur. Lorsque vous remplacez la pile de sauvegarde ou celle de l'horloge temps réel, veillez à n'utiliser que les modèles cités dans la liste de pièces détachées adéquate. Une batterie ou une pile inappropriée risque de prendre feu ou d'exploser.**

**Die Bereitschaftsbatterie, die sich unter dem Diskettenlaufwerk befindet, kann geringe Mengen Nickel und Cadmium enthalten. Sie darf nur durch die Verkaufsstelle oder den IBM Kundendienst ausgetauscht werden. Sie darf nicht zerlegt, wiederaufgeladen, kurzgeschlossen, oder Feuer oder Wasser ausgesetzt werden. Die Batterie kann schwere Verbrennungen oder Verätzungen verursachen. Bei der Entsorgung die örtlichen Bestimmungen für Sondermüll beachten. Beim Ersetzen der Bereitschafts- oder Systembatterie nur Batterien des Typs verwenden, der in der Ersatzteilliste aufgeführt ist. Der Einsatz falscher Batterien kann zu Entzündung oder Explosion führen.**

(continued)

(continuation of safety notice 2)

סוללות המתנה מסוימות מכילות כמות קטנה של ניקל וקדמיום. אין לפרק סוללת המתנה, לטעון אותה מחדש, להשליך אותה לאש או למים או לקצר אותה. יש לסלק את הסוללה כנדרש על ידי התקנות והחוקים המקומיים. יש להשתמש רק בסוללה המופיעה ברשימת החלקים המתאימה. שימוש בסוללה לא מתאימה עלול לגרום להצתה או התפוצצות של הסוללה.

**Alcune batterie di riserva contengono una piccola quantità di nichel e cadmio. Non smontarle, ricaricarle, gettarle nel fuoco o nell'acqua né cortocircuitarle. Smaltirle secondo la normativa in vigore (DPR 915/82, successive disposizioni e disposizioni locali). Quando si sostituisce la batteria dell'RTC (real time clock) o la batteria di supporto, utilizzare soltanto i tipi inseriti nell'appropriato Catalogo parti. L'impiego di una batteria non adatta potrebbe determinare l'incendio o l'esplosione della batteria stessa.**

**Algunas baterías de reserva contienen una pequeña cantidad de níquel y cadmio. No las desmonte, ni recargue, ni las eche al fuego o al agua ni las cortocircuite. Deséchelas tal como dispone la normativa local. Utilice sólo baterías que se encuentren en la lista de piezas. La utilización de una batería no apropiada puede provocar la ignición o explosión de la misma.**

### Safety notice 3



The battery pack contains small amounts of nickel. Do not disassemble it, throw it into fire or water, or short-circuit it. Dispose of the battery pack as required by local ordinances or regulations. Use only the battery in the appropriate parts listing when replacing the battery pack. Use of an incorrect battery can result in ignition or explosion of the battery.

La batterie contient du nickel. Ne la démontez pas, ne l'exposez ni au feu ni à l'eau. Ne la mettez pas en court-circuit. Pour la mettre au rebut, conformez-vous à la réglementation en vigueur. Lorsque vous remplacez la batterie, veillez à n'utiliser que les modèles cités dans la liste de pièces détachées adéquate. En effet, une batterie inappropriée risque de prendre feu ou d'exploser.

Akkus enthalten geringe Mengen von Nickel. Sie dürfen nicht zerlegt, wiederaufgeladen, kurzgeschlossen, oder Feuer oder Wasser ausgesetzt werden. Bei der Entsorgung die örtlichen Bestimmungen für Sondermüll beachten. Beim Ersetzen der Batterie nur Batterien des Typs verwenden, der in der Ersatzteilliste aufgeführt ist. Der Einsatz falscher Batterien kann zu Entzündung oder Explosion führen.

מארז הסוללה מכיל כמות קטנה של ניקל וקדמיום. אין לפרק את מארז הסוללה, להשליך אותו לאש או למים או לקצר אותו. יש לסלק את מארז הסוללה הסוללה כנדרש על ידי התקנות והחוקים המקומיים. יש להשתמש רק בסוללה המופיעה ברשימת החלקים המתאימה בזמן החלפת מארז הסוללה. שימוש בסוללה לא מתאימה עלול לגרום להצתה או התפוצצות של הסוללה.

(continued)



(continuation of safety notice 3)

**La batteria contiene piccole quantità di nichel. Non smontarla, gettarla nel fuoco o nell'acqua né cortocircuitarla. Smaltirla secondo la normativa in vigore (DPR 915/82, successive disposizioni e disposizioni locali). Quando si sostituisce la batteria, utilizzare soltanto i tipi inseriti nell'appropriato Catalogo parti. L'impiego di una batteria non adatta potrebbe determinare l'incendio o l'esplosione della batteria stessa.**

**Las baterías contienen pequeñas cantidades de níquel. No las desmonte, ni recargue, ni las eche al fuego o al agua ni las cortocircuite. Deséchelas tal como dispone la normativa local. Utilice sólo baterías que se encuentren en la lista de piezas al sustituir la batería. La utilización de una batería no apropiada puede provocar la ignición o explosión de la misma.**

#### Safety notice 4



**The lithium battery can cause a fire, an explosion, or a severe burn. Do not recharge it, remove its polarized connector, disassemble it, heat it above 100°C (212°F), incinerate it, or expose its cell contents to water. Dispose of the battery as required by local ordinances or regulations. Use only the battery in the appropriate parts listing. Use of an incorrect battery can result in ignition or explosion of the battery.**

**La pile de sauvegarde contient du lithium. Elle présente des risques d'incendie, d'explosion ou de brûlures graves. Ne la rechargez pas, ne retirez pas son connecteur polarisé et ne la démontez pas. Ne l'exposez pas à une température supérieure à 100°C, ne la faites pas brûler et n'en exposez pas le contenu à l'eau. Mettez la pile au rebut conformément à la réglementation en vigueur. Une pile inappropriée risque de prendre feu ou d'exploser.**

**Die Systematterie ist eine Lithiumatterie. Sie kann sich entzünden, explodieren oder schwere Verbrennungen hervorrufen. Batterien dieses Typs dürfen nicht aufgeladen, zerlegt, über 100 C erhitzt oder verbrannt werden. Auch darf ihr Inhalt nicht mit Wasser in Verbindung gebracht oder der zur richtigen Polung angebrachte Verbindungsstecker entfernt werden. Bei der Entsorgung die örtlichen Bestimmungen für Sondermüll beachten. Beim Ersetzen der Batterie nur Batterien des Typs verwenden, der in der Ersatzteilliste aufgeführt ist. Der Einsatz falscher Batterien kann zu Entzündung oder Explosion führen.**

(continued)

(continuation of safety notice 4)

סוללת הליתיום עלולה לגרום לשריפה, להתפוצצות או לכוויות קשות. אין לטעון אותה מחדש, לסלק את המחבר המקוטב שלה, לפרק אותה או לחמם אותה לטמפרטורה העולה על 100 מעלות צלזיוס. אין לשרוף את הסוללה ואין לחשוף את תוכן התא למים. יש לסלק את הסוללה כנדרש בתקנות ובחוקים המקומיים. יש להשתמש רק בסוללה המופיעה ברשימת החלקים המתאימים. שימוש בסוללה אחרת עלול לגרום לסכנת שריפה או התפוצצות.

**La batteria di supporto e una batteria al litio e puo incendiarsi, esplodere o procurare gravi ustioni. Evitare di ricaricarla, smontarne il connettore polarizzato, smontarla, riscaldarla ad una temperatura superiore ai 100 gradi centigradi, incendiarla o gettarla in acqua. Smaltirla secondo la normativa in vigore (DPR 915/82, successive disposizioni e disposizioni locali). L'impiego di una batteria non adatta potrebbe determinare l'incendio o l'esplosione della batteria stessa.**

**La batería de repuesto es una batería de litio y puede provocar incendios, explosiones o quemaduras graves. No la recargue, ni quite el conector polarizado, ni la desmonte, ni caliente por encima de los 100°C (212°F), ni la incinere ni exponga el contenido de sus celdas al agua. Deséchela tal como dispone la normativa local.**

## Safety notice 5

If the LCD breaks and the fluid from inside the LCD gets into your eyes or on your hands, immediately wash the affected areas with water for at least 15 minutes. Seek medical care if any symptoms from the fluid are present after washing.

Si le panneau d'affichage à cristaux liquides se brise et que vous recevez dans les yeux ou sur les mains une partie du fluide, rincez-les abondamment pendant au moins quinze minutes. Consultez un médecin si des symptômes persistent après le lavage.

Die Leuchtstoffröhre im LCD-Bildschirm enthält Quecksilber. Bei der Entsorgung die örtlichen Bestimmungen für Sondermüll beachten. Der LCD-Bildschirm besteht aus Glas und kann zerbrechen, wenn er unsachgemäß behandelt wird oder der Computer auf den Boden fällt. Wenn der Bildschirm beschädigt ist und die darin befindliche Flüssigkeit in Kontakt mit Haut und Augen gerät, sollten die betroffenen Stellen mindestens 15 Minuten mit Wasser abgespült und bei Beschwerden anschließend ein Arzt aufgesucht werden.

אם מסך הגביש הנוזלי (LCD) נשבר והנוזל מתוך המסך בא במגע עם עיניכם או ידיכם, שטפו את האזורים הנגועים מיד במים במשך 15 דקות לפחות. פנו לקבלת עזרה רפואית אם תסמינים הנובעים מהמגע עם הנוזל נמשכים לאחר השטיפה.

Nel caso che caso l'LCD si dovesse rompere ed il liquido in esso contenuto entrasse in contatto con gli occhi o le mani, lavare immediatamente le parti interessate con acqua corrente per almeno 15 minuti; poi consultare un medico se i sintomi dovessero permanere.

Si la LCD se rompe y el fluido de su interior entra en contacto con sus ojos o sus manos, lave inmediatamente las áreas afectadas con agua durante 15 minutos como mínimo. Obtenga atención medica si se presenta algún síntoma del fluido despues de lavarse.

## Safety notice 6



**To avoid shock, do not remove the plastic cover that protects the lower part of the inverter card.**

**Afin d'éviter tout risque de choc électrique, ne retirez pas le cache en plastique protégeant la partie inférieure de la carte d'alimentation.**

**Aus Sicherheitsgründen die Kunststoffabdeckung, die den unteren Teil der Spannungswandlerplatine umgibt, nicht entfernen.**

**כדי למנוע התחשמלות, אין להסיר את מכסה הפלסטיק המגן על חלקו התחתון של הכרטיס ההפוך.**

**Per evitare scosse elettriche, non rimuovere la copertura in plastica che avvolge la parte inferiore della scheda invertitore.**

**Para evitar descargas, no quite la cubierta de plástico que rodea la parte baja de la tarjeta invertida.**

## Safety notice 7



**Though the main batteries have low voltage, a shorted or grounded battery can produce enough current to burn personnel or combustible materials.**

**Bien que le voltage des batteries principales soit peu élevé, le court-circuit ou la mise à la masse d'une batterie peut produire suffisamment de courant pour brûler des matériaux combustibles ou causer des brûlures corporelles graves.**

**Obwohl Hauptbatterien eine niedrige Spannung haben, können sie doch bei Kurzschluß oder Erdung genug Strom abgeben, um brennbare Materialien zu entzünden oder Verletzungen bei Personen hervorzurufen.**

**אף שהסוללות הראשיות הן בעלות מתח נמוך, סוללה מקוצרת או מוארקת עלולה להפיק זרם מספיק לגרימת כוויות או להצתת חומרים דליקים.**

**Sebbene le batterie di alimentazione siano a basso voltaggio, una batteria in corto circuito o a massa può fornire corrente sufficiente da bruciare materiali combustibili o provocare ustioni ai tecnici di manutenzione.**

**Aunque las baterías principales tienen un voltaje bajo, una batería cortocircuitada o con contacto a tierra puede producir la corriente suficiente como para quemar material combustible o provocar quemaduras en el personal.**

## Safety notice 8



**Before removing any FRU, power off the computer, unplug all power cords from electrical outlets, remove the battery pack, and then disconnect any interconnecting cables.**

**Avant de retirer une unité remplaçable en clientèle, mettez le système hors tension, débranchez tous les cordons d'alimentation des socles de prise de courant, retirez la batterie et déconnectez tous les cordons d'interface.**

**Die Stromzufuhr muß abgeschaltet, alle Stromkabel aus der Steckdose gezogen, der Akku entfernt und alle Verbindungskabel abgenommen sein, bevor eine FRU entfernt wird.**

**לפני סילוק FRU כלשהו, יש לכבות את המחשב, לנתק את כל כבלי החשמל משקעי החשמל, להוציא את מארז הסוללה, ואז לנתק כבלי חיבור אחרים אם יש כאלה.**

**Prima di rimuovere qualsiasi FRU, spegnere il sistema, scollegare dalle prese elettriche tutti i cavi di alimentazione, rimuovere la batteria e poi scollegare i cavi di interconnessione.**

**Antes de quitar una FRU, apague el sistema, desenchufe todos los cables de las tomas de corriente eléctrica, quite la batería y, a continuación, desconecte cualquier cable de conexión entre dispositivos.**

## Safety information

The following section presents safety information with which you need to be familiar before you service a ThinkPad computer.

### General safety

Follow these rules to ensure general safety:

- Observe good housekeeping in the area of the machines during and after maintenance.
- When lifting any heavy object:
  1. Make sure that you can stand safely without slipping.
  2. Distribute the weight of the object equally between your feet.
  3. Use a slow lifting force. Never move suddenly or twist when you attempt to lift.
  4. Lift by standing or by pushing up with your leg muscles; this action removes the strain from the muscles in your back. *Do not attempt to lift any object that weighs more than 16 kg (35 lb) or that you think is too heavy for you.*
- Do not perform any action that causes hazards to the customer, or that makes the equipment unsafe.
- Before you start the machine, make sure that other service representatives and the customer's personnel are not in a hazardous position.
- Place removed covers and other parts in a safe place, away from all personnel, while you are servicing the machine.
- Keep your toolbox away from walk areas so that other people will not trip over it.
- Do not wear loose clothing that can be trapped in the moving parts of a machine. Make sure that your sleeves are fastened or rolled up above your elbows. If your hair is long, fasten it.
- Insert the ends of your necktie or scarf inside clothing or fasten it with a nonconductive clip, about 8 centimeters (3 inches) from the end.
- Do not wear jewelry, chains, metal-frame eyeglasses, or metal fasteners for your clothing.

**Attention:** Metal objects are good electrical conductors.
- Wear safety glasses when you are hammering, drilling, soldering, cutting wire, attaching springs, using solvents, or working in any other conditions that might be hazardous to your eyes.



- After service, reinstall all safety shields, guards, labels, and ground wires. Replace any safety device that is worn or defective.
- Reinstall all covers correctly before returning the machine to the customer.
- Fan louvers on the machine help to prevent overheating of internal components. Do not obstruct fan louvers or cover them with labels or stickers.

### **WARNING**

Handling the cord on this product or cords associated with accessories sold with this product will expose you to lead, a chemical known to the State of California to cause cancer, and birth defects or other reproductive harm. ***Wash hands after handling.***

## **Electrical safety**

Observe the following rules when working on electrical equipment.

### **Important**

Use only approved tools and test equipment. Some hand tools have handles covered with a soft material that does not insulate you when working with live electrical currents.

Many customers have, near their equipment, rubber floor mats that contain small conductive fibers to decrease electrostatic discharges. Do not use this type of mat to protect yourself from electrical shock.

- Find the room emergency power-off (EPO) switch, disconnecting switch, or electrical outlet. If an electrical accident occurs, you can then operate the switch or unplug the power cord quickly.
- Do not work alone under hazardous conditions or near equipment that has hazardous voltages.
- Disconnect all power before:
  - Performing a mechanical inspection
  - Working near power supplies
  - Removing or installing main units
- Before you start to work on the machine, unplug the power cord. If you cannot unplug it, ask the customer to power-off the wall box that supplies power to the machine, and to lock the wall box in the off position.
- If you need to work on a machine that has *exposed* electrical circuits, observe the following precautions:

## Safety information

- Ensure that another person, familiar with the power-off controls, is near you.

**Attention:** Another person must be there to switch off the power, if necessary.

- Use only one hand when working with powered-on electrical equipment; keep the other hand in your pocket or behind your back.

**Attention:** An electrical shock can occur only when there is a complete circuit. By observing the above rule, you may prevent a current from passing through your body.

- When using testers, set the controls correctly and use the approved probe leads and accessories for that tester.
- Stand on suitable rubber mats (obtained locally, if necessary) to insulate you from grounds such as metal floor strips and machine frames.

Observe the special safety precautions when you work with very high voltages; Instructions for these precautions are in the safety sections of maintenance information. Use extreme care when measuring high voltages.

- Regularly inspect and maintain your electrical hand tools for safe operational condition.
- Do not use worn or broken tools and testers.
- *Never assume* that power has been disconnected from a circuit. First, *check* that it has been powered off.
- Always look carefully for possible hazards in your work area. Examples of these hazards are moist floors, nongrounded power extension cables, power surges, and missing safety grounds.
- Do not touch live electrical circuits with the reflective surface of a plastic dental mirror. The surface is conductive; such touching can cause personal injury and machine damage.
- Do not service the following parts *with the power on* when they are removed from their normal operating places in a machine:
  - Power supply units
  - Pumps
  - Blowers and fans
  - Motor generators

and similar units. (This practice ensures correct grounding of the units.)

- If an electrical accident occurs:
  - Use caution; do not become a victim yourself.
  - Switch off power.
  - Send another person to get medical aid.

## Safety inspection guide

The purpose of this inspection guide is to assist you in identifying potentially unsafe conditions. As each machine was designed and built, required safety items were installed to protect users and service personnel from injury. This guide addresses only those items. You should use good judgment to identify potential safety hazards due to attachment of non-ThinkPad features or options not covered by this inspection guide.

If any unsafe conditions are present, you must determine how serious the apparent hazard could be and whether you can continue without first correcting the problem.

Consider these conditions and the safety hazards they present:

- Electrical hazards, especially primary power (primary voltage on the frame can cause serious or fatal electrical shock)
- Explosive hazards, such as a damaged CRT face or a bulging capacitor
- Mechanical hazards, such as loose or missing hardware

To determine whether there are any potentially unsafe conditions, use the following checklist at the beginning of every service task. Begin the checks with the power off, and the power cord disconnected.

Checklist:

1. Check exterior covers for damage (loose, broken, or sharp edges).
2. Power off the computer. Disconnect the power cord.
3. Check the power cord for:
  - a. A third-wire ground connector in good condition. Use a meter to measure third-wire ground continuity for 0.1 ohm or less between the external ground pin and the frame ground.
  - b. The power cord should be the type specified in the parts list.
  - c. Insulation must not be frayed or worn.
4. Remove the cover.
5. Check for any obvious non-ThinkPad alterations. Use good judgment as to the safety of any non-ThinkPad alterations.
6. Check inside the unit for any obvious unsafe conditions, such as metal filings, contamination, water or other liquids, or signs of fire or smoke damage.
7. Check for worn, frayed, or pinched cables.

8. Check that the power-supply cover fasteners (screws or rivets) have not been removed or tampered with.

## **Handling devices that are sensitive to electrostatic discharge**

Any computer part containing transistors or integrated circuits (ICs) should be considered sensitive to electrostatic discharge (ESD.) ESD damage can occur when there is a difference in charge between objects. Protect against ESD damage by equalizing the charge so that the machine, the part, the work mat, and the person handling the part are all at the same charge.

### **Notes**

1. Use product-specific ESD procedures when they exceed the requirements noted here.
2. Make sure that the ESD protective devices you use have been certified (ISO 9000) as fully effective.

When handling ESD-sensitive parts:

- Keep the parts in protective packages until they are inserted into the product.
- Avoid contact with other people.
- Wear a grounded wrist strap against your skin to eliminate static on your body.
- Prevent the part from touching your clothing. Most clothing is insulative and retains a charge even when you are wearing a wrist strap.
- Use the black side of a grounded work mat to provide a static-free work surface. The mat is especially useful when handling ESD-sensitive devices.
- Select a grounding system, such as those listed below, to provide protection that meets the specific service requirement.

### **Note**

The use of a grounding system to guard against ESD damage is desirable but not necessary.

- Attach the ESD ground clip to any frame ground, ground braid, or green-wire ground.
- When working on a double-insulated or battery-operated system, use an ESD common ground or reference point. You can use coax or connector-outside shells on these systems.

- Use the round ground prong of the ac plug on ac-operated computers.

## **Grounding requirements**

Electrical grounding of the computer is required for operator safety and correct system function. Proper grounding of the electrical outlet can be verified by a certified electrician.

## **Laser compliance statement**

Some models of ThinkPad computer are equipped from the factory with an optical storage device such as a CD-ROM drive or a DVD-ROM drive. Such devices are also sold separately as options. If one of these drives is installed, it is certified in the U.S. to conform to the requirements of the Department of Health and Human Services 21 Code of Federal Regulations (DHHS 21 CFR) Subchapter J for Class 1 laser products. Elsewhere, the drive is certified to conform to the requirements of the International Electrotechnical Commission (IEC) 825 and CENELEC EN 60 825 for Class 1 laser products.

If a CD-ROM drive, a DVD-ROM drive, or another laser device is installed, note the following:

 **CAUTION:**

**Use of controls or adjustments or performance of procedures other than those specified herein might result in hazardous radiation exposure.**

**O uso de controles, ajustes ou desempenho de procedimentos diferentes daqueles aqui especificados pode resultar em perigosa exposição à radiação.**

**凡未在这里指明的任何控制用法、调整、行为，都会导致严重后果。**

**Pour éviter tout risque d'exposition au rayon laser, respectez les consignes de réglage et d'utilisation des commandes, ainsi que les procédures décrites.**

**Werden Steuer- und Einstellelemente anders als hier festgesetzt verwendet, kann gefährliche Laserstrahlung auftreten.**

**Az itt előírt eljárásoktól, beállítástól és vezérlésektől eltérni a lézersugárzás veszélye miatt kockázatos !**

**L'utilizzo di controlli, regolazioni o l'esecuzione di procedure diverse da quelle specificate possono provocare l'esposizione a.**

**Использование элементов настройки и выполнение процедур иных, чем указано здесь, может привести к опасному радиационному облучению.**

**Použitie kontrôl, úprav alebo iných vykonaní od iných výrobcov, ako je v tomto špecifikované, mohlo by mať za následok nebezpečenstvo vystavenia sa vyžiarovaniu.**

**El uso de controles o ajustes o la ejecución de procedimientos distintos de los aquí especificados puede provocar la exposición a radiaciones peligrosas.**

Opening the CD-ROM drive, the DVD-ROM drive, or any other optical storage device could result in exposure to hazardous laser radiation. There are no serviceable parts inside those drives. **Do not open.**

A CD-ROM drive, a DVD-ROM drive, or any other storage device installed may contain an embedded Class 3A or Class 3B laser diode. Note the following:

**⚠ DANGER**

**Emits visible and invisible laser radiation when open. Do not stare into the beam, do not view directly with optical instruments, and avoid direct exposure to the beam.**

**Radiação por raio laser ao abrir. Não olhe fixo no feixe de luz, não olhe diretamente por meio de instrumentos óticos e evite exposição direta com o feixe de luz.**

**开启时会有激光发射时，请勿盯视激光光束，请勿直接查看视觉仪器，并且避免直接接触在激光光束之中。**

**Rayonnement laser si carter ouvert. Évitez de fixer le faisceau, de le regarder directement avec des instruments optiques, ou de vous exposer au rayon.**

**Laserstrahlung bei geöffnetem Gerät. Nicht direkt oder über optische Instrumente in den Laserstrahl sehen und den Strahlungsbereich meiden.**

**Kinyitáskor lézersugár ! Ne nézzen bele se szabad szemmel, se optikai eszközökkel. Kerülje a sugárnyalábbal való érintkezést !.**

**Aperto l'unità vengono emesse radiazioni laser. Non fissare il fascio, non guardarlo direttamente con strumenti ottici e evitare l'esposizione diretta al fascio.**

**Открывая, берегитесь лазерного излучения. Не смотрите на луч, не разглядывайте его с помощью оптических инструментов, а также избегайте прямого воздействия лазерного луча.**

**Keď je laserová jednotka otvorená. Vyhnite sa priamemu pohľadu a nehladte priamo s optickými nástrojmi do lúča a vyhnite sa priamemu vystaveniu lúčov.**

**Radiación láser al abrir. No mire fijamente ni examine con instrumental óptico el haz de luz. Evite la exposición directa al haz.**



---

## General descriptions

This chapter includes descriptions for any ThinkPad model that has the PC-Doctor® for DOS diagnostics program. Some descriptions might not apply to your particular computer.

---

### Read this first

Before you go to the checkout guide, be sure to read this section.

#### Important notes

- **Only certified trained personnel should service the computer.**
- **Read the entire FRU removal and replacement page before replacing any FRU.**
- **Use new nylon-coated screws when you replace FRUs.**
- **Be extremely careful during such write operations as copying, saving, or formatting.** Drives in the computer that you are servicing sequence might have been altered. If you select an incorrect drive, data or programs might be overwritten.
- **Replace FRUs only for the correct model.** When you replace a FRU, make sure the model of the machine and the FRU part number are correct by referring to the FRU parts list.
- **A FRU should not be replaced because of a single, unreproducible failure.** Single failures can occur for a variety of reasons that have nothing to do with a hardware defect, such as cosmic radiation, electrostatic discharge, or software errors. Consider replacing a FRU only when a problem recurs. If you suspect that a FRU is defective, clear the error log and run the test again. If the error does not recur, do not replace the FRU.
- **Be careful not to replace a nondefective FRU.**

### What to do first

When you do return a FRU, you must include the following information in the parts exchange form or parts return form that you attach to it:

- \_\_\_ 1. Name and phone number of servicer
- \_\_\_ 2. Date of service

*Read this first*

- \_\_\_ 3. Date on which the machine failed
- \_\_\_ 4. Date of purchase
- \_\_\_ 5. Failure symptoms, error codes appearing on the display, and beep symptoms
- \_\_\_ 6. Procedure index and page number in which the failing FRU was detected
- \_\_\_ 7. Failing FRU name and part number
- \_\_\_ 8. Machine type, model number, and serial number
- \_\_\_ 9. Customer's name and address

**Note for warranty:**

During the warranty period, the customer may be responsible for repair costs if the computer damage was caused by misuse, accident, modification, unsuitable physical or operating environment, or improper maintenance by the customer. The following list provides some common items that are not covered under warranty and some symptoms that might indicate that the system was subjected to stress beyond normal use.

Before checking problems with the computer, determine whether the damage is covered under the warranty by referring to the following:

**The following are not covered under warranty:**

- LCD panel cracked from the application of excessive force or from being dropped
- Scratched (cosmetic) parts
- Distortion, deformation, or discoloration of the cosmetic parts
- Cracked or broken plastic parts, broken latches, broken pins, or broken connectors caused by excessive force
- Damage caused by liquid spilled into the system
- Damage caused by the improper insertion of a PC Card or the installation of an incompatible card
- Damage caused by foreign material in the diskette drive
- Diskette drive damage caused by pressure on the diskette drive cover or by the insertion of a diskette with multiple labels
- Damaged or bent diskette eject button
- Fuses blown by attachment of a nonsupported device
- Forgotten computer password (making the computer unusable)
- Sticky keys caused by spilling a liquid onto the keyboard

**The following symptoms might indicate damage caused by nonwarranted activities:**

- Missing parts might be a symptom of unauthorized service or modification.
- If the spindle of a hard disk drive becomes noisy, it may have been subjected to excessive force, or dropped.

---

## Related service information

This section provides information about the following:

- “Service Web site”
- “Restoring the preloaded system”
- “Recovering the hard disk to original contents” on page 34
- “Passwords” on page 37
- “Power management” on page 39

### Service Web site

When the latest maintenance diskette and the system program service diskette become available, they will be posted on <http://www.lenovo.com/think/spm>

### Restoring the preloaded system

If the data on a hard disk drive is damaged or accidentally erased, you can restore the software that was shipped with the computer. This software includes the pre-installed operating system, applications, and device drivers.

To restore the pre-installed software, you can use either the Product Recovery program or a recovery CD.

#### Ordering the recovery CD

When the hard disk drive is replaced because of a failure, no Product Recovery program is on the new hard disk. In this case, you must use the Product Recovery CD for the computer. Order the recovery CD and the hard disk drive at the same time so that you can recover the new hard disk drive with the pre-installed software when they arrive. For information on which CD to order, see “Recovery CDs” on page 133

The Product Recovery program is in the service partition, a section of the hard disk drive that is not displayed by Windows Explorer.

**Attention:** All of the files on the primary hard disk partition (usually drive C) will be lost in the recovery process. Be sure to back up copies of the files you have saved on your drive C before you begin.

### Creating a Recovery Repair diskette

If the operating system cannot boot normally, or if you cannot get access to the Product Recovery program, you can use the Recovery Repair diskette to boot the

computer. Make a Recovery Repair diskette and save it for future use. To make a Recovery Repair diskette, do the following:

1. Shut down and restart the computer.
2. At the prompt, press F11. (The option to press F11 appears for only a few seconds. You must press F11 quickly.) The Product Recovery program main menu opens.

**Note:** If you are prompted to select the operating system, select one you want to recover. Then the Product Recovery program main menu opens.

3. Select **System Utilities** from the main menu. Press Enter.
4. Select **Create a Recovery Repair diskette**. Press Enter.
5. Follow the on-screen instructions.
6. When the process is completed, label the diskette "Recovery Repair diskette" and save it for future use.

## **Product Recovery program**

**Note:** The recovery process might take up to 2 hours.

To use the Product Recovery program to restore the pre-installed software, do the following:

1. Save all files and shut down the desktop.
2. Turn off the computer.
3. Turn on the computer. If you are using Windows XP, three messages (F1, F11, and F12) appear on the screen for a few seconds. One of them is "**Press F11 to invoke the IBM Product Recovery program**". While the message is displayed, quickly press F11.

If you are using Windows 2000 or another operating system, the startup screen is displayed first, and then the message "**To start the Product Recovery program, press F11**" at the top of the screen. Here again it appears very briefly; watch for it, and press F11 before it disappears.

**Note:** If this message is not displayed, you can use a Recovery Repair diskette to get access to the Product Recovery program. (For using a Recovery Repair diskette, see "To use the Recovery Repair diskette:" on page 34.)

4. From the list displayed on the screen, select the operating system you want to recover.
5. Select the recovery options you want, and follow the instructions on the screen.

6. When the Product Recovery program finishes running, the computer will restart with the pre-installed operating system, drivers, and software.

## Using the recovery CD

To create the service partition and install the preloaded system from the recovery CD, do the following:

### To create the service partition:

1. Erase all partitions on the hard disk drive, using FDISK or a similar application.
2. Boot with the recovery CD (and the boot diskette if required.)
3. Following message is displayed: **“Your computer originally included a Product Recovery program ... Reinstall the Product Recovery program? (Y/N) [ ]”**.

**Note:** If the hard disk drive contains any partitions, you do not receive this message; go to step 1.

4. Press Y key. The service partition is created and loaded with the Product Recovery program files.

**Note:** If you do not want to create the service partition, press N key, and then go to step 8.

5. At next window, press Enter to continue.
  - The service partition is created. The system automatically reboots during this process.
  - The recovery process copies some files to the service partition, and PKUNZIPs others.
  - Follow the prompts. You may be prompted to change CDs.
  - When the process is complete, the system reboots. Continue to step 6 to install preloaded system.

### Install preloaded system from CD:

6. Boot with the recovery CD (and the boot diskette if required.)
7. If the hard disk drive is blank, the following message is displayed: **“Your computer originally included a Product Recovery program ... Reinstall the Product Recovery program? (Y/N) [ ]”**.
  - To install the service partition, go to step 4.
  - To preload the hard disk drive without installing the service partition, press N key.
8. If you get a message asking which operating system to install, select the proper operating system and press Enter.
9. A message is displayed: **“Full Recovery:”**. Press Enter to select.

10. On each of the next three windows, press the Y key.
11. Follow the prompts to complete the recovery.

### **To use the Recovery Repair diskette:**

1. Shut down and turn off the computer.
2. Insert the Recovery Repair diskette into the drive, and then turn on the computer.
3. Follow the on-screen instructions.

## **Recovering the hard disk to original contents**

### **Recovering the hard disk using Access IBM Predesktop Area**

Hard disk of ThinkPad computer you are servicing has a hidden, protected area for backups. Contained within this area is a complete backup of the hard disk as it was shipped from the factory and a program called the Access IBM Predesktop Area.

You can use the Access IBM Predesktop Area to restore the contents of the hard disk to an earlier state using any of the backup images stored in the protected area. Access IBM Predesktop Area runs independently of the Windows operating system. Therefore, you can start it by pressing the blue Access IBM button when prompted during startup.

After the Access IBM Predesktop Area opens you can perform a recovery operation, even if you are unable to start Windows.

To recover the hard disk to its original contents, do the following:

#### **Note**

The recovery process might take up to 2 hours.

**Attention:** All of the files on the primary hard disk partition (usually drive C) will be lost in the recovery process. Be sure to back up copies of the files you have saved on your drive C before you begin.

**Note:** You might need to use a diskette drive in the recovery process. Use a drive that is compatible with the ThinkPad computer you are servicing.

1. If possible, save all the files and shut down the operating system.
2. Turn off the computer.

3. Turn on the computer. Watch the display carefully. When the following message is displayed, press the blue Access IBM button to open the Access IBM Predesktop Area: "To interrupt normal startup, press the blue Access IBM button."
4. Double-click **Recover to factory contents**.
5. Follow the instructions on the screen.
6. When the recovery process finishes, the computer will restart with the pre-installed operating system, drivers, and software.

## Recovering the hard disk using the recovery CD

You can delete the Access IBM Predesktop Area by going into BIOS (F1 at IBM Splash Screen), and then choosing **Security IBM-> Predesktop Area->Disabled**.

This will make the Service Partition area available to FDISK. If you choose **Disabled**, the following warning appears:

**Attention! If you select Disabled, the IBM Predesktop Area will be visible and can be reclaimed by the OS. Once the area is overwritten by OS tools, it can't be used with Normal or Secure and you will need to obtain a Recovery CD to retrieve original HDD. Please confirm that you wish to select Disabled.**

FDISK will not delete the Access IBM Predesktop Area unless you do this, because it is not visible. You would have to use "bootkil2 /psa" to completely wipe the drive.

### Ordering the recovery CD

When the hard disk drive is replaced because of a failure, no Access IBM Predesktop Area is on the new hard disk. In this case, you must use the recovery CD for the computer. Order the recovery CD and the hard disk drive at the same time so that you can recover the new hard disk drive with the pre-installed software when they arrive. For information on which CD to order, see "Recovery CDs" on page 133

To create the service partition and install the factory contents from the recovery CD, do the following:

#### To create the service partition:

1. Erase all partitions on the hard disk drive, using FDISK or a similar application.

2. For the proper removal of the Hidden Protected Area(HPA), refer to the white paper at <http://www.pc.ibm.com/qtechinfo/AIBM-TOOLS.html>

3. Boot with the recovery CD (and the boot diskette if required.)

4. Following message is displayed: **“Your computer originally included a Product Recovery program ... Reinstall the Product Recovery program? (Y/N) [ ]”**.

**Note:** If the hard disk drive contains any partitions, you do not receive this message; go to step 1.

5. Press Y key. The service partition is created and loaded with the Product Recovery program files.

**Note:** If you do not want to create the service partition, press N key, and then go to step 8.

6. At next window, press Enter to continue.

- The service partition is created. The system automatically reboots during this process.
- The recovery process copies some files to the service partition, and PKUNZIPs others.
- Follow the prompts. You may be prompted to change CDs.
- When the process is complete, the system reboots. Continue to step 6 to install preloaded system.

#### **Install preloaded system from CD:**

7. Boot with the recovery CD (and the boot diskette if required.)

8. If the hard disk drive is blank, the following message is displayed: **“Your computer originally included a Product Recovery program ... Reinstall the Product Recovery program? (Y/N) [ ]”**.

- To install the service partition, go to step 4.
- To preload the hard disk drive without installing the service partition, press N key.

9. If you get a message asking which operating system to install, select the proper operating system and press Enter.

10. A message is displayed: **“Full Recovery:”**. Press Enter to select.

11. On each of the next three windows, press the Y key.

12. Follow the prompts to complete the recovery.



## Passwords

As many as three passwords may be needed for any ThinkPad computer: the power-on password (POP), the hard disk password (HDP), and the supervisor password (SVP).

If any of these passwords has been set, a prompt for it appears on the screen whenever the computer is turned on. The computer does not start until the password is entered.

**Exception:** If only an SVP is installed, the password prompt does not appear when the operating system is booted.

### Power-on password

A power-on password (POP) protects the system from being powered on by an unauthorized person. The password must be entered before an operating system can be booted.

### Hard disk password

There are two hard disk passwords (HDPs):

- User HDP—for the user
- Master HDP—for the system administrator, who can use it to get access to the hard disk even if the user has changed the user HDP

**Note:** There are two modes for the HDP: **User only** and **Master + User**. The **Master + User** mode requires two HDPs; the system administrator enters both in the same operation. The system administrator then provides the user HDP to the system user.

**Attention:** If the user HDP has been forgotten, check whether a master HDP has been set. If it has, it can be used for access to the hard disk drive. If no master HDP is available, neither Lenovo nor Lenovo authorized servicers provide any services to reset either the user or the master HDP, or to recover data from the hard disk drive. The hard disk drive can be replaced for a scheduled fee.

### Supervisor password

A supervisor password (SVP) protects the system information stored in the BIOS Setup Utility. The SVP must be entered in order to get access to the BIOS Setup Utility and make changes to system configuration settings.

**Attention:** If the SVP has been forgotten and cannot be made available to the servicer, there is no service procedure to reset the password. The system board must be replaced for a scheduled fee.

## How to remove the power-on password

To remove a POP that you have forgotten, do the following:

*(A) If no SVP has been set:*

1. Turn off the computer.
2. Remove the battery pack.

For how to remove the battery pack, see “1010 Battery pack” on page 77.

3. Remove the backup battery.

For how to remove the backup battery, see “1080 Backup battery” on page 91.

4. Turn on the computer and wait until the POST ends.

After the POST ends, the password prompt does not appear. The POP has been removed.

5. Reinstall the backup battery and the battery pack.

*(B) If an SVP has been set and is known by the servicer:*

1. Turn on the computer; then, while the “To interrupt normal startup, press the blue Access IBM button” message is displayed at the lower-left of the screen, press the Access IBM button.
2. Enter the SVP. Select **Start setup utility**.
3. Select **Security**, using the cursor keys to move down the menu.
4. Select **Password**.
5. Select **Power-On Password**.
6. At the Enter Current Password field, enter the SVP.
7. When the Enter New Password field opens, leave it blank and press Enter twice.
8. In the Changes have been saved window, press Enter.
9. Press F10; then, in the Setup confirmation window, select **Yes** .

## How to remove the hard disk password

**Attention:** If **User only** mode is selected and the user HDP has been forgotten and cannot be made available to the servicer, neither Lenovo nor Lenovo authorized servicers provide any services to reset the user HDPs or to recover data from the hard disk drive. The hard disk drive can be replaced for a scheduled fee.

To remove a user HDP that has been forgotten, when the SVP and the master HDP are known, do the following:

1. Turn on the computer; then, while the “To interrupt normal startup, press the blue Access IBM button”

message is displayed at the lower-left of the screen, press the Access IBM button.

2. Press F1 while HDP icon is appearing on the screen; then enter the master HDP. For the other models, enter the master HDP.
3. Double—click **Start setup utility**. Enter SVP.
4. Select **Security**, using the cursor keys to move down the menu.
5. Select **Password**.
6. Select **hard disk x password**, where x is the letter of the hard disk drive. A pop-up window opens.
7. Select **Master HDP**.
8. Enter the master HDP; then leave the New Password field blank and press Enter twice.
9. Press F10.
10. Select **Yes** in the Setup Configuration window.  
Both user HDP and master HDP will have been removed.

## Power management

To reduce power consumption, the computer has three power management modes: screen blank, standby, and hibernation.

### Screen blank mode

Screen blank mode has three variants, as follows:

1. If you press Fn+F3, or the time set on the “LCD off timer” in BIOS Setup Utility expires,
  - The LCD backlight turns off.
  - The hard disk drive motor stops.
  - The speaker is muted.
2. If you are using the ACPI operating system and you press Fn+F3,
  - The LCD backlight turns off.
  - The hard disk drive motor stops.
3. If the time set on the “Turn off monitor” timer in the operating system expires,
  - The LCD backlight turns off.

To end screen blank mode and resume normal operation, press any key.

### Standby mode

When the computer enters standby mode, the following events occur in addition to what occurs in screen blank mode:

- The LCD is powered off.
- The hard disk drive is powered off.

#### *Related service information*

- The CPU stops.

To enter standby mode, press Fn+F4.

**Note:** You can change the action of Fn+F4, if you are using the ACPI operating system.

In certain circumstances, the computer goes into standby mode automatically:

- If a “suspend time” has been set on the timer, and the user does not do any operation with the keyboard, the TrackPoint, the hard disk, the parallel connector, or the diskette drive within that time.
- If the battery indicator blinks orange, indicating that the battery power is low. (Alternatively, if **Hibernate when battery becomes low** has been selected in the “Power Management Properties” window, the computer goes into hibernation mode.)

If you are using the ACPI operating system, only the low-battery alarm is available.

To cause the computer to return from standby mode and resume operation, do one of the following:

- Press the Fn key.
- Open the LCD cover. (only if you are using Windows Me and you entered standby mode by closing the LCD cover.)
- Turn on the power switch.

Also, in either of the following events, the computer automatically returns from standby mode and resumes operation:

- The ring indicator (RI) is signaled by a serial device or a PC Card device (Windows 2000 does not support the ring indicator (RI) resume by PC Card device.)
- The time set on the resume timer elapses.

**Note:** The computer does not accept any input immediately after it enters standby mode. Wait a few seconds before taking any action to reenter operation mode.

### **Hibernation mode**

In hibernation mode, the following occurs:

- The system status, RAM, VRAM, and setup data are stored on the hard disk.
- The system is powered off.

**Note:** If the computer enters the hibernation mode while it is docked to the docking station, do not undock it from the docking station before resuming normal

operation. If you do undock it and then try to resume normal operation, you will get an error message, and you will have to restart the system.

To cause the computer to enter hibernation mode, do any of the following:

- Press the Fn+F12 keys.
- If you are using the ACPI operating system and have defined one of the following actions as the event that causes the system to go into hibernation mode, perform that action.
  - Closing the lid.
  - Pressing the power button.
  - Pressing Fn+F4 keys.

Also, the computer goes into hibernation mode automatically in either of the following conditions:

- If a “hibernation time” has been set on the timer, and the user does not do any operation with the keyboard, the TrackPoint, the hard disk drive, the parallel connector, or the diskette drive within that time.
- If the timer conditions are satisfied in suspend mode.

When the power is turned on, the computer returns from hibernation mode and resumes operation. The hibernation file in the boot record on the hard disk drive is read, and system status is restored from the hard disk drive.

## Checkout guide

Use the following procedures as a guide in identifying and correcting problems with the ThinkPad computer.

**Note:** The diagnostic tests are intended to test only ThinkPad products. The use of non-ThinkPad products, prototype cards, or modified options can lead to false indications of errors and invalid system responses.

1. Identify the failing symptoms in as much detail as possible.
2. Verify the symptoms. Try to re-create the failure by running the diagnostic test or by repeating the operation.

## Testing the computer

The ThinkPad computer has a test program called PC-Doctor<sup>®</sup> for DOS (hereafter called *PC-Doctor*). You can detect errors by running the diagnostics test included in PC-Doctor. This section is an overview of the procedure. For details that depend on model-unique functions, refer to “Product overview” on page 51.

For some possible configurations of the computer, PC-Doctor might not run correctly. To avoid this problem, you need to initialize the computer setup by use of the BIOS Setup Utility before you run PC-Doctor. On the BIOS Setup Utility screen, press F9, Enter, F10, and then Enter.

**Note:** When you initialize the computer configuration, some devices are disabled, such as the serial port. If you test one of these devices, you will need to enable it by using PS2.EXE.

PC-Doctor cannot be used to test a device that is in the docking station, even if the computer supports the docking station. To test a USB device, connect it to the USB connector of the computer. To test the Ultrabay device, install it in the Ultrabay Slim slot of the computer.

**Creating the PC-Doctor diagnostics diskette**

In X41 series, the PC-Doctor disk can be created by using the Access IBM Predesktop Area or the Rescue and Recovery workspace.

To create the PC-Doctor disk from the Access IBM Predesktop Area or from the Rescue and Recovery workspace, do as follows:

1. Enter the Predesktop application or the Rescue and Recovery workspace by pressing the Access IBM button during POST.
2. When the Access IBM application or the Rescue and Recovery workspace finishes loading, double-click the "Create Diagnostic Diskettes" icon or click "Create diagnostic disks" respectively.
3. It will take about 15 seconds to authenticate the digital signature, and then the ThinkPad computer will reboot into PC-DOS.
4. A batch file will automatically start up to prompt the user through creating the boot diskettes. The user will be informed how many diskettes will be needed.
  - a. The user will be prompted to insert each diskette in sequence.
  - b. Typically, the user only needs to press the Enter key for the proper floppy drive to format and create the diskette.
  - c. Each diskette will be erased and formatted with the PC-Doctor for DOS boot image.
5. Once all the diskettes have been created, the ThinkPad computer will reboot. The user is asked to remove all diskettes from the drive, or to insert the first diskette created if it is desired to run the diagnostics.

To run the test, do as follows:

**Note:** In the following procedure, you can select an item not only with the arrow keys, but also with the TrackPoint. Instead of pressing Enter, click the left button.

1. Insert the PC-Doctor disk into the diskette drive; then power on the computer.

If the computer cannot be powered on, go to "Power system checkout" on page 45, and check the power sources.

If an error code appears, go to “Symptom-to-FRU index” on page 59.

On the first screen, select the model and press Enter. Follow the instructions on the screen.

2. The main panel of PC-Doctor appears.
3. Select **Diagnostics** with the arrow keys, and press Enter.

A pull-down menu appears. (Its exact form depends on the model.)

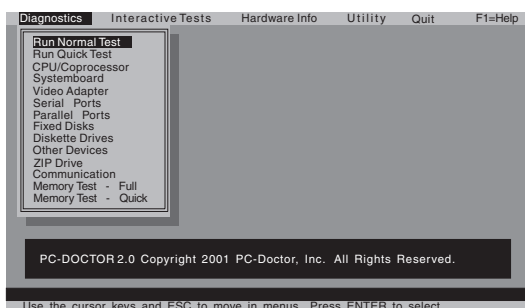
**Note:** PC-Doctor menu does not mean the formal support device list. Some unsupported device names may appear in the PC-Doctor menu.

The options on the test menu are as follows:

Diagnostics	Interactive Tests
<ul style="list-style-type: none"> <li>• Run Normal Test</li> <li>• Run Quick Test</li> <li>• CPU/Coprocessor</li> <li>• Systemboard</li> <li>• Video Adapter</li> <li>• Serial Ports</li> <li>• Parallel Ports</li> <li>• Fixed Disks</li> <li>• Diskette Drives</li> <li>• Other Devices</li> <li>• ThinkPad Devices</li> <li>• Communication</li> <li>• Wireless LAN</li> <li>• Memory Test – Full</li> <li>• Memory Test – Quick</li> </ul>	<ul style="list-style-type: none"> <li>• Keyboard</li> <li>• Video</li> <li>• Internal Speaker</li> <li>• Mouse</li> <li>• Diskette</li> <li>• System Load</li> <li>• CD-ROM/DVD Test</li> <li>• Intel Wireless Radio</li> </ul>

**Notes:**

- In the **Keyboard** test in **Interactive Tests**, the **Fn** key should be held down for at least 2 seconds; otherwise, it cannot be sensed.
- **Video Adapter** test supports only the LCD display on the ThinkPad computer. Before running PC-Doctor for DOS, detach the external Monitor.
- To test **Digital Signature Chip**, the chip must be enabled.
- To test **Serial Ports** or **Parallel Ports**, the ThinkPad computer must be attached to the X4 UltraBase.





4. Run the applicable function test.
5. Follow the instructions on the screen. If there is a problem, PC-Doctor shows messages describing it.
6. To exit the test, select **Quit — Exit Diag.**

To cancel the test, press Esc.

**Note:** After executing PC-Doctor, check the system time/date and reset them if needed.

## Detecting system information with PC-Doctor

PC-Doctor can detect the following system information:

### Hardware Info

- System Configuration
- Memory Contents
- Physical Disk Drives
- Logical Disk Drives
- VGA Information
- IDE Drive Info
- PCI Information
- PNPISA Info
- SMBIOS Info
- VESA LCD Info
- Hardware Events Log

### Utility

- Run External Tests
- Surface Scan Hard Disk
- Benchmark System
- DOS Shell
- Tech Support Form
- Battery Rundown
- View Test Log
- Print Log
- Save Log
- Full Erase Hard Drive
- Quick Erase Hard Drive

## Power system checkout

To verify a symptom, do the following:

1. Power off the computer.
2. Remove the battery pack.
3. Connect the ac adapter.
4. Check that power is supplied when you power on the computer.
5. Power off the computer.
6. Disconnect the ac adapter and install the charged battery pack.
7. Check that the battery pack supplies power when you power on the computer.

If you suspect a power problem, see the appropriate one of the following power supply checkouts:

- “Checking the ac adapter”
- “Checking operational charging”
- “Checking the battery pack” on page 47
- “Checking the backup battery” on page 47

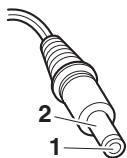
## Checking the ac adapter

You are here because the computer fails only when the ac adapter is used:

- If the power problem occurs only when the port replicator is used, replace the port replicator.
- If the power-on indicator does not turn on, check the power cord of the ac adapter for correct continuity and installation.
- If the computer does not charge during operation, go to “Checking operational charging.”

To check the ac adapter, do the following:

1. Unplug the ac adapter cable from the computer.
2. Measure the output voltage at the plug of the ac adapter cable. See the following figure:



(16 - 10 V)

Pin	Voltage (V dc)
1	+15.5 to +17.0
2	Ground

3. If the voltage is not correct, replace the ac adapter.
4. If the voltage is acceptable, do the following:
  - Replace the system board.
  - If the problem persists, go to “Product overview” on page 51.

**Note:** Noise from the ac adapter does not always indicate a defect.

## Checking operational charging

To check whether the battery charges properly during operation, use a discharged battery pack or a battery pack that has less than 50% of the total power remaining when installed in the computer.

Perform operational charging. If the battery status indicator or icon does not turn on, remove the battery pack and let it return to room temperature. Reinstall the battery pack. If the charge indicator or icon still does not turn on, replace the battery pack.

If the charge indicator still does not turn on, replace the system board. Then reinstall the battery pack. If it is still not charged, go to the next section.

## Checking the battery pack

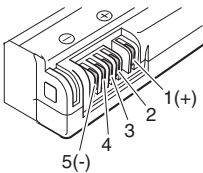
Battery charging does not start until the Power Meter shows that less than 95% of the total power remains; under this condition the battery pack can charge to 100% of its capacity. This protects the battery pack from being overcharged or from having a shortened life.

To check the status of your battery, move your cursor to the Power Meter icon in the icon tray of the Windows taskbar and wait for a moment (but do not click), and the percentage of battery power remaining is displayed. To get detailed information about the battery, double-click the Power Meter icon.

**Note:** If the battery pack becomes hot, it may not be able to charge. Remove it from the computer and leave it at room temperature for a while. After it cools down, reinstall and recharge it.

To check the battery pack, do the following:

1. Power off the computer.
2. Remove the battery pack and measure the voltage between battery terminals 1 (+) and 5 (-). See the following figure:



Terminal	Voltage (V dc)
1	+ 0 to + 16.8
5	Ground (-)

3. If the voltage is less than +14.4 V dc, the battery pack has been discharged.

**Note:** Recharging will take at least 3 hours, even if the indicator does not turn on.

If the voltage is still less than +14.4 V dc after recharging, replace the battery.

4. If the voltage is more than +14.4 V dc, measure the resistance between battery terminals 4 and 5. The resistance must be 4 to 30 K  $\Omega$ .

If the resistance is not correct, replace the battery pack. If the resistance is correct, replace the system board.

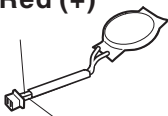
## Checking the backup battery

Do the following:

## Checkout guide

1. Power off the computer, and unplug the ac adapter from it.
2. Turn the computer upside down.
3. Remove the battery pack (see “1010 Battery pack” on page 77).
4. Remove the backup battery (see “Checking the battery pack” on page 47).
5. Measure the voltage of the backup battery. See the following figure.

**Red (+)**



**Black (-)**

Wire	Voltage (V dc)
Red	+2.5 to +3.2
Black	Ground

- If the voltage is correct, replace the system board.
- If the voltage is not correct, replace the backup battery.
- If the backup battery discharges quickly after replacement, replace the system board.

---

# ThinkPad X41

Product overview . . . . .	51
Specifications . . . . .	51
Status indicators for X41 . . . . .	53
FRU tests . . . . .	55
Fn key combinations . . . . .	57
Symptom-to-FRU index . . . . .	59
Numeric error codes . . . . .	59
Error messages . . . . .	67
Beep symptoms . . . . .	69
No-beep symptoms . . . . .	69
LCD-related symptoms . . . . .	70
Intermittent problems . . . . .	71
Undetermined problems . . . . .	71
FRU replacement notices . . . . .	72
Screw notices . . . . .	72
Retaining serial numbers . . . . .	73
Restoring the serial number of the system unit . . . . .	73
Retaining the UUID . . . . .	74
Reading or writing the ECA information . . . . .	74
Removing and replacing a FRU . . . . .	76
1010 Battery pack . . . . .	77
1020 Hard disk drive . . . . .	78
1030 DIMM cover . . . . .	79
1040 Mini PCI adapter, DIMM, MDC-2, and BMDC-3 . . . . .	80
1050 Keyboard . . . . .	83
1060 Upper case . . . . .	86
1070 Fingerprint board . . . . .	89
1080 Backup battery . . . . .	91
1090 LCD module . . . . .	92
1100 Hard disk housing assembly . . . . .	95
1110 Top shielding . . . . .	96
1120 Lower case . . . . .	97
1130 Fansink . . . . .	101
2010 LCD bezel . . . . .	102
2020 LCD . . . . .	105
2030 Inverter card . . . . .	106
2040 Antenna L and antenna R . . . . .	108
2050 Hinge L and hinge R . . . . .	112
2060 Bluetooth antenna cable . . . . .	114
Locations . . . . .	115
Front view for X41 series . . . . .	115
Rear view for X41 series . . . . .	116
Bottom view for X41 series . . . . .	117
Front View for X4 UltraBase Dock . . . . .	118
Rear View for X4 UltraBase Dock . . . . .	119
Parts list . . . . .	120
Overall . . . . .	120
LCD FRUs . . . . .	130
12.1-in. XGA TFT . . . . .	130

Keyboard . . . . .	131
Recovery CDs . . . . .	133
For Windows XP Professional . . . . .	133
For Windows XP Home Edition . . . . .	134
Miscellaneous parts . . . . .	134
Optional FRUs . . . . .	135
AC adapters . . . . .	136
Common parts list . . . . .	137
Tools . . . . .	137
Power cords (system) . . . . .	137
Telephone cable . . . . .	139
Notices . . . . .	140
Trademarks . . . . .	142

## Product overview

This section presents the following product-unique information:

- “Specifications”
- “Status indicators for X41” on page 53
- “FRU tests” on page 55
- “Fn key combinations” on page 57

## Specifications

Feature	Description
Processor	<ul style="list-style-type: none"> <li>• Intel® Pentium® M Processor Low Voltage 758 (1.5 GHz), L2 2 MB cache</li> <li>• Intel Pentium M Processor Low Voltage 778 (1.6 GHz), L2 2 MB cache</li> </ul>
Memory (standard)	<ul style="list-style-type: none"> <li>• 256 MB SDRAM on-board (PC4200)</li> <li>• 512 MB SDRAM on-board (PC4200)</li> </ul>
Memory (optional)	<ul style="list-style-type: none"> <li>• 256-MB DDR2-533 SDRAM SO-DIMM (PC2-4200) card X 1</li> <li>• 512-MB DDR2-533 SDRAM SO-DIMM (PC2-4200) card X 1</li> <li>• 1-GB DDR2-533 SDRAM SO-DIMM (PC2-4200) card X 1</li> </ul> <p>(maximum of 1280 MB for 256M model, and 1536 MB for 512 model)</p>
Bus architecture	<ul style="list-style-type: none"> <li>• HUB link</li> <li>• PCI bus</li> <li>• LPC bus</li> </ul>
Video	<ul style="list-style-type: none"> <li>• Graphics chip: Intel 915GM</li> <li>• Total video memory: UMA, 128MBmax</li> </ul>
CMOS RAM	<ul style="list-style-type: none"> <li>• 242 bytes</li> </ul>
Hard disk drive	<ul style="list-style-type: none"> <li>• 20.0 GB, 1.8-inch, IDE interface</li> <li>• 30.0 GB, 1.8-inch, IDE interface</li> <li>• 40.0 GB, 1.8-inch, IDE interface</li> <li>• 60.0 GB, 1.8-inch, IDE interface</li> </ul>
Display	<ul style="list-style-type: none"> <li>• 12.1-inch, 16M colors, XGA (1024 × 768 resolution) TFT color LCD</li> </ul>

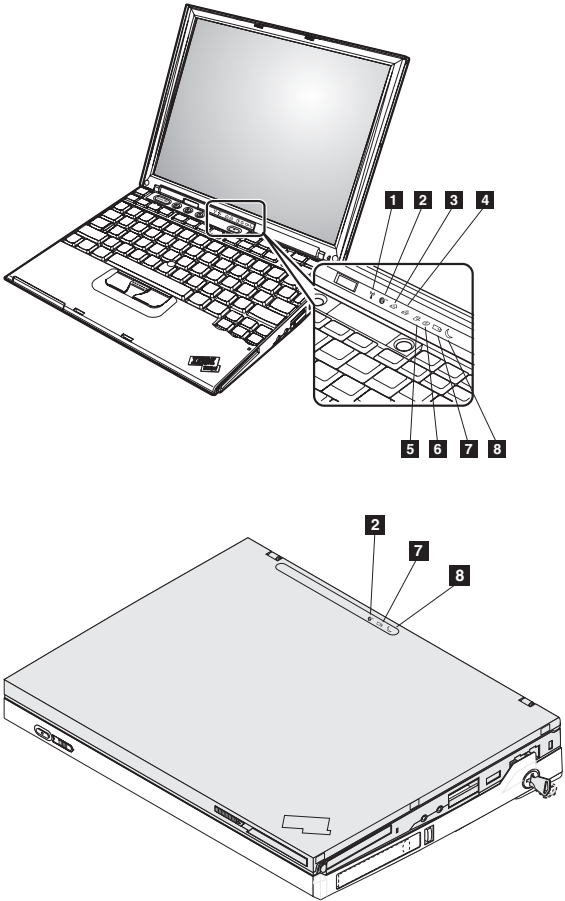
(continued)



Feature	Description
I/O port (system)	<ul style="list-style-type: none"> <li>External monitor connector</li> <li>RJ11 connector</li> <li>RJ45 connector</li> <li>Stereo headphone jack</li> <li>Monaural microphone jack</li> <li>Universal serial bus (USB) connector × 2</li> <li>Infrared port</li> <li>Docking connector</li> <li>DC-in</li> </ul>
I/O port (UltraBase)	<ul style="list-style-type: none"> <li>External monitor connector</li> <li>RJ11</li> <li>RJ45</li> <li>Parallel connector</li> <li>Serial connector</li> <li>Keyboard or mouse connector</li> <li>Universal serial bus (USB) connector × 3</li> <li>DC-in</li> </ul>
Internal modem	<ul style="list-style-type: none"> <li>56.6 Kbps</li> </ul>
Audio	<ul style="list-style-type: none"> <li>Internal monaural speaker</li> <li>Software control volume</li> </ul>
Infrared transfer	<ul style="list-style-type: none"> <li>IrDA 1.1</li> </ul>
Mini PCI card	<ul style="list-style-type: none"> <li>802.11a/b/g combo (Wireless) Mini PCI Card</li> <li>802.11b/g (Wireless) Mini PCI Card</li> </ul>
PC card	<ul style="list-style-type: none"> <li>One Type-II</li> </ul>
SD card	<ul style="list-style-type: none"> <li>With IO support</li> </ul>
Ultrabay device	UltraBay Slim (supported by X4 UltraBase Dock)
Communication daughter card (CDC)	<ul style="list-style-type: none"> <li>ThinkPad Integrated 56K Modem (MDC-2)</li> <li>ThinkPad Integrated Bluetooth IV with 56K Modem (BMDC-3)</li> </ul>
AC adapter	<ul style="list-style-type: none"> <li>56-watt type</li> </ul>
Diskette drive (external)	<ul style="list-style-type: none"> <li>USB diskette drive</li> </ul>
Battery pack (main)	<ul style="list-style-type: none"> <li>1 parallel of 4 series of cells (1P4S) Li-Ion battery pack (1.9 AH) (Standard Battery)</li> <li>2 parallel of 4 series of cells (2P4S) Li-Ion battery pack (4.3 AH) (Hybrid Battery)</li> </ul>
Preinstalled operating system	<ul style="list-style-type: none"> <li>Windows XP Professional</li> <li>Windows XP Home edition</li> </ul>









## Status indicators for X41

The system status indicators show the status of the computer, as follows:



Indicator	Meaning
<b>1</b> Wireless status 	<b>Green:</b> Wireless is operational and radio on state. This indicator is on when the data is transmitted.
<b>2</b> Bluetooth status 	<b>Green:</b> The Bluetooth is operational. This indicator is on when the Bluetooth is on and not in suspend mode.

(continued)

Indicator	Meaning
<b>3</b> Num lock 	<b>Green:</b> The numeric keypad on the keyboard is enabled. To enable or disable the keypad, press and hold the Shift key, and press the NumLk (ScrLk) key.
<b>4</b> Caps lock 	<b>Green:</b> Caps Lock mode is enabled. To enable or disable Caps Lock mode, press the Caps Lock key.
<b>5</b> Drive in use 	<b>Green:</b> Data is being read from or written to the hard disk drive, or the drive in the Ultrabay device. When this indicator is on, do not put the computer into standby mode or turn off the computer.  <b>Note:</b> Do not move the system while the Green drive in use light is on. Sudden physical shock could cause drive errors.
<b>6</b> Power on 	<b>Green:</b> The computer is on and ready to use. This indicator stays lit whenever the computer is on and is not in standby mode.
<b>7</b> Battery status 	<b>Green:</b> The battery is in use and has enough power. The ac adapter has charged the battery completely.  <b>Blinking green:</b> The battery is being charged, but still has enough power to operate. (At regular intervals, the indicator light turns off briefly.)  <b>Orange:</b> The battery is being charged, but the battery power is still low.  <b>Blinking orange:</b> The battery needs to be charged. When the indicator starts blinking orange, the computer beeps three times.
<b>8</b> Standby status 	<b>Green:</b> The computer is in standby mode. <b>Blinking green:</b> The computer is entering standby mode or hibernation mode, or is resuming normal operation.

## FRU tests

The following table shows the test for each FRU.

FRU	Applicable test
System board	<ol style="list-style-type: none"> <li>1. <b>Diagnostics --&gt; CPU/Coprocessor</b></li> <li>2. <b>Diagnostics --&gt; Systemboard</b></li> <li>3. If the docking station or the port replicator is attached to the ThinkPad computer, undock it. Place the computer on a horizontal surface, and run <b>Diagnostics --&gt; ThinkPad Devices --&gt; HDD Active Protection Test</b>.</li> </ol> <p><b>Note:</b> Do not apply any physical shock to the computer while the test is running.</p>
Power	<b>Diagnostics --&gt; ThinkPad Devices --&gt; AC Adapter, Battery 1 (Battery 2)</b>
LCD unit	<ol style="list-style-type: none"> <li>1. <b>Diagnostics --&gt; Video Adapter</b></li> <li>2. <b>Interactive Tests --&gt; Video</b></li> </ol>
Modem, MDC or BMDC	<ol style="list-style-type: none"> <li>1. Make sure the modem is set up correctly.</li> <li>2. Replace the modem jack and the modem card in turn, and run the following test in <b>Diagnostics --&gt; Communication:</b> <ol style="list-style-type: none"> <li>a. Conexant Smart Modem Interrupt</li> <li>b. Conexant Smart Modem Dialtone</li> </ol> </li> </ol>
Audio	<ol style="list-style-type: none"> <li>1. <b>Interactive Tests --&gt; Internal Speaker</b></li> <li>2. <b>Diagnostics --&gt; Other Devices --&gt; Analog Devices AC97 CODEC Test</b></li> </ol>
Speaker	<b>Interactive Tests --&gt; Internal Speaker</b>
PC Card slots	<ol style="list-style-type: none"> <li>1. <b>Diagnostics --&gt; Systemboard --&gt; PCMCIA</b></li> <li>2. Insert a PC Card Wrap Plug into every PC Card Slot, and run <b>Diagnostics --&gt; Systemboard --&gt; PCMCIA External Loop</b></li> </ol>
Keyboard	<ol style="list-style-type: none"> <li>1. <b>Diagnostics --&gt; Systemboard --&gt; Keyboard</b></li> <li>2. <b>Interactive Tests --&gt; Keyboard</b></li> </ol>
TrackPoint or pointing device	<p>If the TrackPoint does not work, check the configuration in the ThinkPad Configuration program. If the TrackPoint is disabled, select <b>Enable</b> to enable it.</p> <p>After you use the TrackPoint, the pointer may drift on the screen for a short time. This drift can occur when a slight, steady pressure is applied to the TrackPointing Stick. This symptom is not a hardware problem. If the pointer stops after a short time, no service action is necessary.</p> <p>If enabling the TrackPoint does not correct the problem, continue with the following:</p> <ul style="list-style-type: none"> <li>• <b>Interactive Tests --&gt; Mouse</b></li> </ul>

(continued)

FRU	Applicable test
Hard disk drive	<b>Diagnostics --&gt; Fixed Disks</b>
Diskette drive	<ol style="list-style-type: none"> <li>1. <b>Diagnostics --&gt; Diskette Drives</b></li> <li>2. <b>Interactive Tests --&gt; Diskette</b></li> </ol>
CD-ROM or DVD drive	<ol style="list-style-type: none"> <li>1. <b>Diagnostics --&gt; Other Devices --&gt; CD-ROM/DVD</b></li> <li>2. <b>Interactive Tests --&gt; CD-ROM/DVD Test</b></li> </ol>
Memory	<ol style="list-style-type: none"> <li>1. If two DIMMs are installed, remove one of them and run <b>Diagnostics --&gt; Memory Test - Quick</b>.</li> <li>2. If the problem does not recur, return the DIMM to its place, remove the other one, and run the test again.</li> <li>3. If the test does not detect the error, run <b>Diagnostics --&gt; Memory Test - Full</b>.</li> </ol>
Fan	<ol style="list-style-type: none"> <li>1. Turn on the computer and check the air turbulence at the louver near the power switch.</li> <li>2. Run <b>Diagnostics --&gt; ThinkPad Devices --&gt; Fan</b>.</li> </ol>

## Fn key combinations

The following table shows the function of each combination of Fn with a function key.

Key combination	Description
Fn+F1	Reserved.
Fn+F2	Reserved.
Fn+F3	<p><b>Standby mode</b> Turn off the LCD display, leaving the screen blank. Hard disk drive spindown while CPU still works. To turn the LCD display on again, press any key or the TrackPoint stick.</p>
Fn+F4	<p><b>Sleep mode</b> This function causes the system to enter a low power sleep state. The unit may remain in the Sleep state for an extended time. For ACPI systems the OS will determine which state the system will enter by user setting on the control panel.</p>
Fn+F5	<p><b>Wireless radio on/off switching</b> Enable or disable the built-in wireless networking features ( the IEEE 802.11 standard) and the Bluetooth features. If this combination of keys are pressed, a list of wireless features is displayed in the Wireless Radio Control window. The user can quickly change the power state of each feature in the list.</p>
Fn+F6	Reserved.
Fn+F7	<p><b>Switch a display output location</b></p> <ul style="list-style-type: none"> <li>• External monitor (CRT display)</li> <li>• Computer display and external monitor (LCD + CRT display)</li> <li>• Computer display (LCD)</li> </ul> <p><b>Note:</b> For any operating system other than Windows 2000 or Windows XP, no additional procedure is needed; just press Fn+F7. <b>Note:</b></p> <ol style="list-style-type: none"> <li>1. This function does not work when different desktop images are displayed on the computer display and the external monitor (the Extend desktop function).</li> <li>2. This function does not work while a DVD movie or a video clip is playing.</li> <li>3. For Windows 2000 or Windows XP, a hotkey application might take over the switching function.</li> </ol>

(continued)

Key combination	Description
Fn+F8	<p><b>Display expansion</b> Horizontal/Vertical screen expansion (hardware stretch) function is enabled, so that VGA mode screen will be expanded to whole size of SVGA LCD or XGA LCD.</p> <p><b>Note:</b></p> <ol style="list-style-type: none"> <li>1. In ACPI OS (Windows XP, Windows 2000, and later), this function is not supported.</li> <li>2. When hardware overlay screen or 3D full screen application is active, this hotkey-function will be disabled.</li> </ol>
Fn+F9	<p><b>Issue device ejection</b> Opens the ThinkPad EasyEject Utility screen. Buttons for the following choices are displayed:</p> <ul style="list-style-type: none"> <li>• <b>Run EasyEject Actions:</b> User can select, stop, and remove external devices connected to the ThinkPad computer.</li> <li>• <b>Configure EasyEject Actions:</b> User can open the ThinkPad EasyEject Utility main window.</li> <li>• <b>Fn+F9 Settings:</b> User can configure the settings for the Fn+F9 function.</li> </ul> <p><b>Note:</b> This function is supported only in Windows XP and Windows 2000.</p>
Fn+F10	Reserved.
Fn+F11	Reserved.
Fn+F12	<p><b>Hibernation</b> Turn hibernation mode on. To return to normal operation, press the power button for less than four seconds.</p> <p><b>Note:</b> To use Fn+F12 for hibernation in Windows XP and Windows 2000, the PM device driver must have been installed on the computer.</p>
Fn+PgUp	<p><b>ThinkPad light</b> <b>Note:</b> This function is supported only on the ThinkPad computer that have the ThinkLight. The on or off status of the ThinkLight is shown on the screen for a few seconds when the user press Fn+PgUp.</p>
Fn+Home	<p><b>LCD brightness up</b> The LCD becomes brighter.</p>
Fn+End	<p><b>LCD brightness down</b> The LCD becomes less bright.</p>
Fn+Spacebar	<p><b>FullScreen magnifier</b> Enable the FullScreen Magnifier function.</p>

## Symptom-to-FRU index

The symptom-to-FRU index in this section lists symptoms and errors and their possible causes. The most likely cause is listed first, in boldface type.

**Note:** Do the FRU replacement or other actions in the sequence shown in the column headed “FRU or action, in sequence.” If replacing a FRU does not solve the problem, put the original part back in the computer. Do not replace a nondefective FRU.

This index can also help you determine, during regular servicing, what FRUs are likely to need to be replaced next.

A numeric error is displayed for each error detected in POST or system operation. In the displays, **n** can be any number.

If no numeric code is displayed, check the narrative descriptions of symptoms. If the symptom is not described there, go to “Intermittent problems” on page 71.

### Note

For a device not supported by diagnostic codes in the ThinkPad notebook computers, see the manual for that device.

## Numeric error codes

Symptom or error	FRU or action, in sequence
<b>0175</b> Bad CRC1, stop POST task—EEPROM CRC1 is not correct (block #6)	<b>System board</b> Replace planar.(System halt)
<b>0176</b> System Security—The system has been tampered with.	1. <b>Run BIOS Setup Utility, and then save current setting by pressing F10.</b> 2. System board.
<b>0177</b> Bad SVP data, stop POST task—Checksum of the supervisor password in the EEPROM is not correct.	<b>System board</b>

(continued)

Symptom or error	FRU or action, in sequence
<b>0182</b> Bad CRC2. Enter BIOS Setup and load Setup defaults.—Checksum of the CRS2 setting in the EEPROM is not correct.	<ol style="list-style-type: none"> <li>1. <b>Run BIOS Setup Utility. Press F9, and Enter to load the default setting. Then save current setting by pressing F10.</b></li> <li>2. System board.</li> </ol>
<b>0185</b> Bad startup sequence settings. Enter BIOS Setup and load Setup defaults.	<ol style="list-style-type: none"> <li>1. <b>Run BIOS Setup Utility. Press F9, and Enter to load the default setting. Then save current setting by pressing F10.</b></li> </ol>
<b>0187</b> EAIA data access error—EEPROM access (read or write) is failed.	<b>System board.</b>
<b>0188</b> Invalid RFID Serialization Information Area or Bad CRC2—EEPROM checksum is not correct (block #0,1). EEPROM CRC2 is not correct (block #6).	<b>System board.</b> Replace planar. Box serial number needs to be reinstalled.
<b>0189</b> Invalid RFID configuration information area—EEPROM checksum is not correct (block #4,5).	<b>System board.</b> Replace planar. UUID needs to be reinstalled.
<b>0190</b> Critical low-battery error	<ol style="list-style-type: none"> <li>1. <b>Charge the battery pack.</b></li> <li>2. Battery pack.</li> </ol>
<b>0191</b> System Security—Invalid Remote Change requested.	<ol style="list-style-type: none"> <li>1. <b>Run BIOS Setup Utility, and then save current setting by pressing F10.</b></li> <li>2. System board.</li> </ol>
<b>0192</b> System Security—IBM Embedded Security hardware tamper detected.	<b>System board.</b>

(continued)



Symptom or error	FRU or action, in sequence
<b>0199</b> System Security—IBM Security password retry count exceeded.	<ol style="list-style-type: none"> <li>1. <b>Run BIOS Setup Utility, and then save current setting by pressing F10.</b></li> <li>2. System board.</li> </ol>
<b>01C8</b> More than one modem devices are found. Remove one of them. Press <Esc> to continue.	<ol style="list-style-type: none"> <li>1. <b>Remove either a Mini-PCI Card. Otherwise, press Esc to ignore the warning message.</b></li> <li>2. System board.</li> </ol>
<b>01C9</b> More than one Ethernet devices are found. Remove one of them. Press <Esc> to continue.	<ol style="list-style-type: none"> <li>1. <b>Remove the Ethernet device that you installed; or press Esc to ignore the warning message.</b></li> <li>2. System board.</li> </ol>
<b>0200</b> Failure Fixed Disk—Fixed disk is not working or not configured properly.	<ol style="list-style-type: none"> <li>1. <b>Reseat the hard disk drive.</b></li> <li>2. Load Setup Defaults in BIOS Setup Utility.</li> <li>3. Hard disk drive.</li> <li>4. System board.</li> </ol>

(continued)

Symptom or error	FRU or action, in sequence
<b>0210</b> Stuck key—Stuck key on keyboard	Enter here.
<b>0211</b> Keyboard error—Keyboard not working.	Run interactive tests of the keyboard and the auxiliary input device.
<b>0212</b> Keyboard Controller Failed—Keyboard controller failed test.	Replace keyboard controller..
<b>0213</b> Keyboard locked—Unlock key switch	Unlock the system to proceed.
<b>0220</b> Monitor type does not match CMOS —Monitor type not correctly identified in Setup	Load Setup Defaults in BIOS Setup Utility.
<b>0230</b> Shadow Ram Failed at offset: nnnn—Shadow RAM failed at offset nnnn of the 64k block at which the error was detected.	System board.
<b>0231</b> System RAM Failed at offset: nnnn—System RAM failed at offset nnnn of in the 64k block at which the error was detected	1. DIMM. 2. System board.
<b>0232</b> Extended RAM Failed at offset: nnnn —Extended memory not working or not configured properly at offset nnnn..	1. DIMM. 2. System board.
<b>0250</b> System battery is dead —The CMOS clock battery indicator shows the battery is dead	Replace the backup battery and run BIOS Setup Utility to reset the time and date.
<b>0251</b> System CMOS checksum bad —Default configuration used.	Replace the backup battery and run BIOS Setup Utility to reset the time and date.
<b>0252</b> Password checksum bad—The password is cleared.	Reset the password by running BIOS Setup Utility.
<b>0260</b> System timer error—The timer test failed	1. Replace the backup battery and run BIOS Setup Utility to reset the time and date. 2. System board.

(continued)

Symptom or error	FRU or action, in sequence
<b>0270</b> Real time clock error—Real-Time Clock fails BIOS hardware test	<ol style="list-style-type: none"> <li>1. <b>Replace the backup battery and run BIOS Setup Utility to reset the time and date.</b></li> <li>2. System board.</li> </ol>
<b>0271</b> Date and time error—BIOS found date or time out of range and reset the Real-Time Clock.	<b>Run BIOS Setup Utility to reset the time and date.</b>
<b>0280</b> Previous boot incomplete—Default configuration used.	<ol style="list-style-type: none"> <li>1. <b>Load “Setup Default” in BIOS Setup Utility.</b></li> <li>2. DIMM.</li> <li>3. System board.</li> </ol>
<b>0281</b> Memory Size found by POST differed from CMOS—Memory Size found by POST differed from CMOS	<ol style="list-style-type: none"> <li>1. <b>Enter here.</b></li> </ol>
<b>02B0</b> Diskette drive A error—Drive A: is present but fails the BIOS POST diskette tests.	<b>Check to see that the drive is defined with the proper diskette type in Setup and that the diskette drive is attached correctly.</b>
<b>02B1</b> Diskette drive B error—Drive B: is present but fails the BIOS POST diskette tests.	<b>Check to see that the drive is defined with the proper diskette type in Setup and that the diskette drive is attached correctly.</b>
<b>02B2</b> Incorrect drive A type—Type of floppy drive A: not correctly identified in Setup.	<ol style="list-style-type: none"> <li>1. <b>Diskette drive.</b></li> <li>2. External FDD cable.</li> <li>3. I/O card.</li> <li>4. Run setup</li> </ol>
<b>02B3</b> Incorrect drive B type—Type of floppy drive B: not correctly identified in Setup.	<ol style="list-style-type: none"> <li>1. <b>Diskette drive.</b></li> <li>2. External FDD cable.</li> <li>3. I/O card.</li> <li>4. Run setup</li> </ol>
<b>02D0</b> System cache error.—RAM cache failed and BIOS disabled the cache	On older boards, check the cache jumpers. You may have to replace the cache

(continued)

Symptom or error	FRU or action, in sequence
<b>02F0</b> CPU ID.—CPU socket number for Multi-Processor error	
<b>02F4</b> EISA CMOS not writable—ServerBIOS2 test error: Cannot write to EISA CMOS.	<ol style="list-style-type: none"> <li>1. <b>Load Setup Defaults in BIOS Setup Utility.</b></li> <li>2. Replace the backup battery.</li> <li>3. System board.</li> </ol>
<b>02F5</b> DMA test failed—ServerBIOS2 test error: Cannot write to extended DMA (Direct Memory Access) registers.	<ol style="list-style-type: none"> <li>1. <b>DIMM.</b></li> <li>2. System board.</li> </ol>
<b>02F6</b> Software NMI failed—ServerBIOS2 test error: Cannot generate software NMI (Non-Maskable Interrupt).	<ol style="list-style-type: none"> <li>1. <b>DIMM.</b></li> <li>2. System board.</li> </ol>
<b>02F7</b> Fail-safe timer NMI failed—ServerBIOS2 test error: Fail-Safe Timer takes too long	<ol style="list-style-type: none"> <li>1. <b>DIMM.</b></li> <li>2. System board.</li> </ol>
<b>1801</b> Unsupported docking station is attached—Attached docking station is not supported by the product	<b>Shut down the computer and remove it from the docking station.</b>
<b>1802</b> Unauthorized network card is plugged in—Power off and remove the miniPCI network card.	<ol style="list-style-type: none"> <li>1. <b>Remove Mini PCI network card.</b></li> <li>2. System board.</li> </ol>
<b>1803</b> Unauthorized daughter card is plugged in—Power off and remove the daughter card.	<ol style="list-style-type: none"> <li>1. <b>Remove the daughter card that you installed.</b></li> <li>2. System board.</li> </ol>

(continued)

Symptom or error	FRU or action, in sequence
<p><b>1810</b> Hard disk partition layout error</p>	<ol style="list-style-type: none"> <li>1. If the Access IBM Predesktop Area has been previously disabled, then go to the BIOS Setup Utility by pressing F1 to open the BIOS Setup Utility. Select Security-&gt;Predesktop Area-&gt; Access IBM Predesktop Area. Set this item to Disabled. Save and exit.</li> <li>2. If the Access IBM Predesktop Area has not been previously disabled, press Enter to load Access IBM Predesktop Area. Then run <b>RECOVER TO FACTORY CONTENTS</b> in Access IBM Predesktop Area.</li> <li>3. If item 2 failed, press F3 in welcome screen in <b>RECOVER TO FACTORY CONTENTS</b>. Run FDISK, and then delete all partitions. Run <b>RECOVER TO FACTORY CONTENTS</b> in Access IBM Predesktop Area again.</li> <li>4. If item 3 failed, select CD-ROM boot in <b>Startup</b> in Access IBM Predesktop Area. Boot from Recovery CD and perform full recovery from it.</li> <li>5. If item 4 failed, replace the hard disk drive.</li> </ol>
<p><b>2000</b> Hard Drive Active Protection sensor diagnostics failed. Press &lt;Esc&gt; to continue. Press &lt;F1&gt; to enter SETUP</p>	<ol style="list-style-type: none"> <li>1. Undock docking station or port replicator if it is attached to the ThinkPad computer, and place the computer on a horizontal surface. Do not apply any physical shock to the computer.</li> <li>2. Run <b>Diagnostics</b> -&gt; <b>Other Devices</b> -&gt; <b>HDD Active Protection Test</b>.</li> </ol>

Symptom or error	FRU or action, in sequence
<p><b>2010</b> Warning: Your internal hard disk drive (HDD) may not function correctly on this system. Ensure that your HDD is supported on this system and that the latest HDD firmware is installed.</p>	<p>Inform the following information to the customer: If in the primary bay the customer is using a non-IBM or non-Lenovo hard disk drive (HDD), or an old generation IBM HDD which is not supported by this system, with the risk in mind, the customer can still use it by pressing ESC. If in the primary drive bay the customer is using a supported IBM/Lenovo HDD with an old firmware, the customer needs to update its firmware to the latest. The latest version is available at <a href="http://www.lenovo.com/think/support">http://www.lenovo.com/think/support</a></p>

## Error messages

Symptom or error	FRU or action, in sequence
Device address conflict.	<ol style="list-style-type: none"> <li>1. <b>Load “Setup Defaults” in BIOS Setup Utility.</b></li> <li>2. Backup battery.</li> <li>3. System board.</li> </ol>
Allocation error for device.	<ol style="list-style-type: none"> <li>1. <b>Load “Setup Defaults” in BIOS Setup Utility.</b></li> <li>2. Backup battery.</li> <li>3. System board.</li> </ol>
Failing bits: nnnn.	<ol style="list-style-type: none"> <li>1. <b>DIMM.</b></li> <li>2. System board.</li> </ol>
Invalid system configuration data.	<ol style="list-style-type: none"> <li>1. <b>DIMM.</b></li> <li>2. System board.</li> </ol>
I/O device IRQ conflict.	<ol style="list-style-type: none"> <li>1. <b>Load “Setup Defaults” in BIOS Setup Utility.</b></li> <li>2. Backup battery.</li> <li>3. System board.</li> </ol>
Operating system not found.	<ol style="list-style-type: none"> <li>1. Check that the operating system has no failure and is installed correctly.</li> <li>2. <b>Enter BIOS Setup Utility and see whether the hard disk drive and the diskette drive are properly identified.</b></li> <li>3. Reseat the hard disk drive.</li> <li>4. Reinstall the operating system.</li> <li>5. Diskette drive.</li> <li>6. Hard disk drive.</li> <li>7. System board.</li> </ol>
Hibernation error.	<ol style="list-style-type: none"> <li>1. <b>Restore the system configuration to what it was before the computer entered hibernation mode.</b></li> <li>2. If memory size has been changed, re-create the hibernation file.</li> </ol>
Fan error.	<b>Fan.</b>
Thermal sensing error.	<b>System board.</b>
Authentication of system services failed. Press <Esc> to resume.	<b>The Predesktop Area in the hard disk drive is corrupted. Restore it from a recovery CD.</b>
CD ROM drive	<ol style="list-style-type: none"> <li>1. <b>DIMM.</b></li> <li>2. System board.</li> </ol>
Entering SETUP	<ol style="list-style-type: none"> <li>1. <b>DIMM.</b></li> <li>2. System board.</li> </ol>

(continued)

Symptom or error	FRU or action, in sequence
Fixed disk n	1. <b>DIMM.</b> 2. System board.
P/S 2 mouse boot summary screen	1. <b>DIMM.</b> 2. System board.
One or more I2O block storage devices were excluded from the setup boot menu	1. <b>DIMM.</b> 2. System board.
Parity Check 1 nnnn	1. <b>DIMM.</b> 2. System board.
Parity Check 2 nnnn	1. <b>DIMM.</b> 2. System board.
Press F1 to resume, F2 to Setup, F3 for previous	1. <b>DIMM.</b> 2. System board.
Press F2 to enter Setup	1. <b>DIMM.</b> 2. System board.
PS/2 Mouse	1. <b>DIMM.</b> 2. System board.
Run the I2O Configuration Utility	1. <b>DIMM.</b> 2. System board.
System BIOS shadowed	1. <b>DIMM.</b> 2. System board.
UMB upper limit segment address: nnnn	1. <b>DIMM.</b> 2. System board.
Video BIOS shadowed	1. <b>DIMM.</b> 2. System board.
Do you want abort resume from hibernation? (Y/N)System memory removed, press F3 to power off system and restore memory chip, press F4 to normal boot	1. <b>DIMM.</b> 2. System board.
Docking station is removed or its ID is different, press F3 to power off system and restore correct docking station, press F4 to normal boot	<b>No error appears when; undock -&gt; hibernation -&gt; dock -&gt; wakeup. The docking is configured by OS.</b>
WRONG MEMORY: Serial Presence Detected (SPD) indicates 66MHz Memory. This processor requires 100MHz memory. Shut system down.	<b>Shut system down.(Stop this point).</b>



## Beep symptoms

Symptom or error	FRU or action, in sequence
One beep and a blank, unreadable, or flashing LCD.	<ol style="list-style-type: none"> <li>1. <b>Reseat the LCD connector.</b></li> <li>2. LCD assembly.</li> <li>3. External CRT.</li> <li>4. System board.</li> </ol>
One long and two short beeps, and a blank or unreadable LCD.	<ol style="list-style-type: none"> <li>1. <b>System board.</b></li> <li>2. LCD assembly.</li> <li>3. DIMM.</li> </ol>
Two short beeps with error codes.	<b>POST error. See “Numeric error codes” on page 59.</b>
Two short beeps and a blank screen.	<ol style="list-style-type: none"> <li>1. <b>System board.</b></li> <li>2. DIMM.</li> </ol>
Three short beeps, pause, three more short beeps, and one short beep.	<ol style="list-style-type: none"> <li>1. <b>DIMM.</b></li> <li>2. System board</li> </ol>
One short beep, pause, three short beeps, pause, three more short beeps, and one short beep.	
Only cursor appears.	<b>Reinstall operating system.</b>
Four cycles of four short beeps and a blank screen.	<b>System board</b> (security chip)
Five short beeps and a blank screen.	<b>System board</b>

## No-beep symptoms

Symptom or error	FRU or action, in sequence
No beep, power-on indicator on, LCD blank, and no POST.	<ol style="list-style-type: none"> <li>1. <b>Make sure that every connector is connected tightly and correctly.</b></li> <li>2. DIMM.</li> <li>3. System board.</li> </ol>
No beep, power-on indicator on, and LCD blank during POST.	<ol style="list-style-type: none"> <li>1. <b>Reseat DIMM.</b></li> <li>2. System board.</li> </ol>
The power-on password prompt appears.	A power-on password or a supervisor password is set. Type the password and press <b>Enter</b> .
The hard-disk password prompt appears.	A hard-disk password is set. Type the password and press <b>Enter</b> .
The DOS full screen looks smaller than it should.	Start the ThinkPad Configuration program and set the <b>Screen expansion</b> function.

## LCD-related symptoms

### Important

The TFT LCD for the notebook computer contains many thin-film transistors (TFTs). The presence of a small number of dots that are missing, discolored, or always lighted is characteristic of TFT LCD technology, but excessive pixel problems can cause viewing concerns. The LCD should be replaced if the number of missing, discolored, or lighted dots in any background is:

- **XGA:** 8 or more bright dots, 8 or more dark dots, or a total of 9 or more bright and dark dots.

**Note:** A bright dot means a pixel is always on (white or color.) A dark dot means a pixel is always off (black color.)

Symptom or error	FRU or action, in sequence
No beep, power-on indicator on, and a blank LCD during POST.	<b>System board.</b>
<ul style="list-style-type: none"> <li>• LCD backlight not working.</li> <li>• LCD too dark.</li> <li>• LCD brightness cannot be adjusted.</li> <li>• LCD contrast cannot be adjusted.</li> </ul>	<ol style="list-style-type: none"> <li>1. <b>Reseat the LCD connectors.</b></li> <li>2. LCD assembly.</li> <li>3. System board.</li> </ol>
<ul style="list-style-type: none"> <li>• LCD screen unreadable.</li> <li>• Characters missing pixels.</li> <li>• Screen abnormal.</li> <li>• Wrong color displayed.</li> </ul>	<ol style="list-style-type: none"> <li>1. <b>See important note for “LCD-related symptoms.”</b></li> <li>2. Reseat all LCD connectors.</li> <li>3. LCD assembly.</li> <li>4. System board.</li> </ol>
Horizontal or vertical lines displayed on LCD.	<b>LCD assembly.</b>

## Intermittent problems

Intermittent system hang problems can be due to a variety of causes that have nothing to do with a hardware defect, such as cosmic radiation, electrostatic discharge, or software errors. FRU replacement should be considered only when a problem recurs.

When analyzing an intermittent problem, do the following:

1. Run the diagnostic test for the system board in loop mode **at least 10 times**.
2. If no error is detected, do **not** replace any FRUs.
3. If any error is detected, replace the FRU shown by the FRU code. Rerun the test to verify that no more errors exist.

## Undetermined problems

If the diagnostic tests did not identify the adapter or device that has failed, if wrong devices are installed, or if the system simply is not operating, follow these procedures to isolate the failing FRU (do not isolate FRUs that have no defects).

Verify that all attached devices are supported by the computer.

Verify that the power supply being used at the time of the failure is operating correctly. (See “Power system checkout” on page 45.)

1. Turn off the computer.
2. Visually check each FRU for damage. Replace any damaged FRU.
3. Remove or disconnect all of the following devices:
  - a. Non-ThinkPad devices
  - b. Devices attached to the port replicator
  - c. Printer, mouse, and other external devices
  - d. Battery pack
  - e. Hard disk drive
  - f. External diskette drive
  - g. DIMM
  - h. CD-ROM and diskette drive in the Ultrabay
  - i. PC Cards
4. Turn on the computer.
5. Determine whether the problem has been solved.
6. If the problem does not recur, reconnect the removed devices one at a time until you find the failing FRU.
7. If the problem remains, replace the following FRUs one at a time (do not replace a nondefective FRU):
  - a. System board
  - b. LCD assembly

## FRU replacement notices

This section contains notices related to removing and replacing parts. Read this section carefully before replacing any FRU.

### Screw notices

Loose screws can cause a reliability problem. In the ThinkPad computer, this problem is addressed with special nylon-coated screws that have the following characteristics:

- They maintain tight connections.
- They do not easily come loose, even with shock or vibration.
- They are harder to tighten.
- Each one should be used only once.

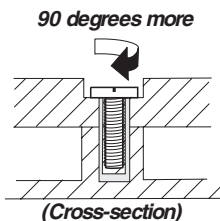
Do the following when you service this machine:

- Keep the screw kit (for the P/N, see “Miscellaneous parts” on page 134) in your tool bag.
- Always use new screws.
- Use a torque screwdriver if you have one.

Tighten screws as follows:

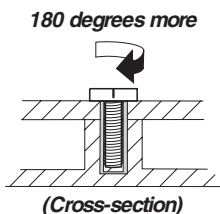
- **Plastic to plastic**

Turn an additional **90 degrees** after the screw head touches the surface of the plastic part:



- **Logic card to plastic**

Turn an additional **180 degrees** after the screw head touches the surface of the logic card:



- **Torque driver**

If you have a torque driver, refer to the “Torque” column for each step.

- Make sure that you use the correct screw. If you have a torque screwdriver, tighten all screws firmly to the torque shown in the table. **Never use a screw that you removed. Use a new one. Make sure that all of the screws are tightened firmly.**

## Retaining serial numbers

This section includes the following descriptions:

- “Restoring the serial number of the system unit”
- “Retaining the UUID” on page 74
- “Reading or writing the ECA information” on page 74

## Restoring the serial number of the system unit

When the computer was manufactured, the EEPROM on the system board was loaded with the serial numbers of the system and all major components. These numbers need to remain the same throughout the life of the computer.

If you replace the system board, you must restore the serial number of the system unit to its original value.

Before replacing the system board, save the original serial number by doing the following:

1. Install the ThinkPad Hardware Maintenance Diskette Version 1.71 or later, and restart the computer.
2. From the main menu, select **1. Set System Identification**.
3. Select **2. Read S/N data from EEPROM**.

The serial number of each device in your computer is displayed; the serial number of the system unit is listed as follows:

- 20: Serial number

Write down that number.

**Note:** The serial number of the system unit is also written on the label attached to the bottom of the computer.

After you have replaced the system board, restore the serial number by doing the following:

1. Install the ThinkPad Hardware Maintenance Diskette Version 1.71 or later and restart the computer.
2. From the main menu, select **1. Set System Identification**.
3. Select **1. Add S/N data from EEPROM**.

Follow the instructions on the screen.

## Retaining the UUID

The Universally Unique Identifier (UUID) is a 128-bit number uniquely assigned to your computer at production and stored in the EEPROM of your system board. The algorithm that generates the number is designed to provide unique IDs until the year A.D. 3400. No two computers in the world have the same number.

When you replace the system board, you must set the UUID on the new system board as follows:

1. Install the ThinkPad Hardware Maintenance Diskette Version 1.71 or later, and restart the computer.
2. From the main menu, select **4. Assign UUID**.

A new UUID is created and written. If a valid UUID already exists, it is not overwritten.

## Reading or writing the ECA information

Information on Engineering Change Announcements (ECA) are stored in the EEPROM of the system board. The electronic storage of this information simplifies the procedure to check if the ECA has been previously applied to a machine. The machine does not need to be disassembled to check for the ECA application.

To check what ECAs have been previously applied to the machine, use the ECA Information Read/Write function on the ThinkPad Hardware Maintenance Diskette Version 1.71 or later.

1. Insert the ThinkPad Hardware Maintenance Diskette Version 1.71 or later, and restart the computer.
2. From the main menu, select **6. Set ECA Information**.
3. To read ECA information, select **2. Read ECA/rework number from EEPROM** and follow the instruction.
4. To read box build date, select **5. Read box build date from EEPROM**, and follow the instruction on the screen.

After an ECA has been applied to the machine, the EEPROM must be updated to reflect the ECA's application. Use the ThinkPad Hardware Maintenance Diskette Version 1.71 or later to update the EEPROM.

**Note:** Only the ECA number is stored in the EEPROM.

The machine type of the ECA is assumed be the same as the machine type of the machine that had the ECA applied to it.

1. Insert the ThinkPad Hardware Maintenance Diskette Version 1.71 or later, and restart the computer.
2. From the main menu, select **6. Set ECA Information**.

3. To write ECA information, select **1. Write ECA/rework number from EEPROM**, and follow the instruction.
4. To write box build date, select **4. Write box build date from EEPROM**, and follow the instruction on the screen.

If the system board is being replaced, try to read the ECA information from the old system board and transfer the information to the new system. If the system board is inoperable, this will not be possible.

## Removing and replacing a FRU

This section presents directions and drawings for use in removing and replacing a FRU. Be sure to observe the following general rules:

1. Do not try to service any computer unless you have been trained and certified. An untrained person runs the risk of damaging parts.
2. Before replacing any FRU, review “FRU replacement notices” on page 72.
3. Begin by removing any FRUs that have to be removed before the failing FRU. Any such FRUs are listed at the top of the page. Remove them in the order in which they are listed.
4. Follow the correct sequence in the steps for removing the FRU, as given in the drawings by the numbers in square callouts.
5. When turning a screw to replace a FRU, turn it in the direction as given by the arrow in the drawing.
6. When removing the FRU, move it in the direction as given by the arrow in the drawing.
7. To put the new FRU in place, reverse the removal procedure and follow any notes that pertain to replacement. For information about connecting and arranging internal cables, see “Locations” on page 115.
8. When replacing a FRU, use the correct screw as shown in the procedures.

### DANGER

**Before removing any FRU, turn off the computer, unplug all power cords from electrical outlets, remove the battery pack, and then disconnect any interconnecting cables.**

**Attention:** After replacing a FRU, do not turn on the computer until you have made sure that all screws, springs, and other small parts are in place and none are loose inside the computer. Verify this by shaking the computer gently and listening for rattling sounds. Metallic parts or metal flakes can cause electrical short circuits.

**Attention:** The system board is sensitive to, and can be damaged by, electrostatic discharge. Before touching it, establish personal grounding by touching a ground point with one hand or by using an electrostatic discharge (ESD) strap (P/N 6405959).

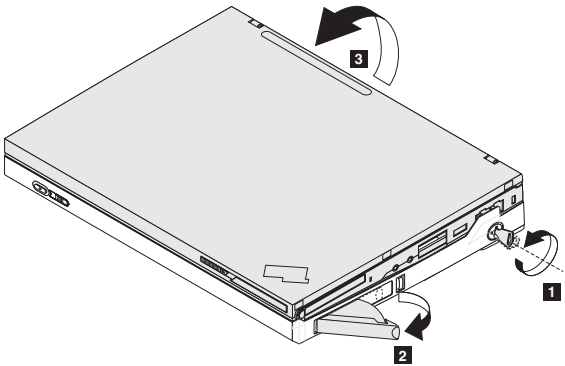


## 1010 Battery pack

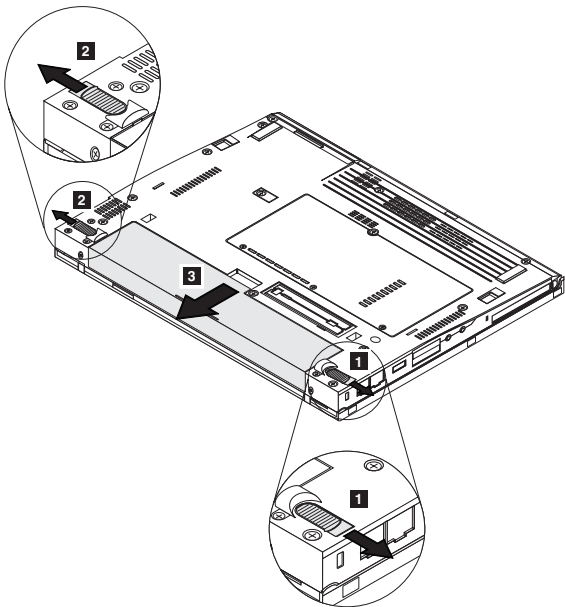
**!** DANGER

Use only the battery specified in the parts list for your computer. The use of an incorrect battery can result in ignition or explosion of the battery.

Before processing, separate main unit from docking first.



Release the lock knob, shown as **1**, and latch knob, shown as **2**, to remove the battery pack.



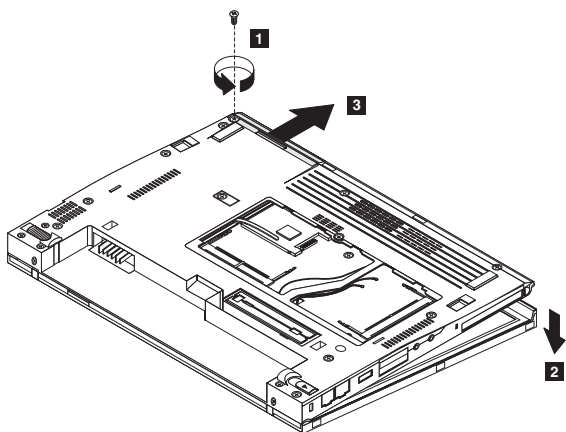
## 1020 Hard disk drive

### Attention

- **Do not drop or apply any shock to the hard disk drive.** The hard disk drive is sensitive to physical shock. Incorrect handling can cause damage and permanent loss of data.
- Before removing the drive, have the user make a backup copy of all the information on the drive if possible.
- Never remove the drive while the system is operating or is in suspend mode.

For access, remove following FRU:

- “1010 Battery pack” on page 77



Step	Screw (quantity)	Torque
<b>1</b>	M3 × 4 mm, nylon-coated (1)	0.245 Nm (2.5 kgfcm)

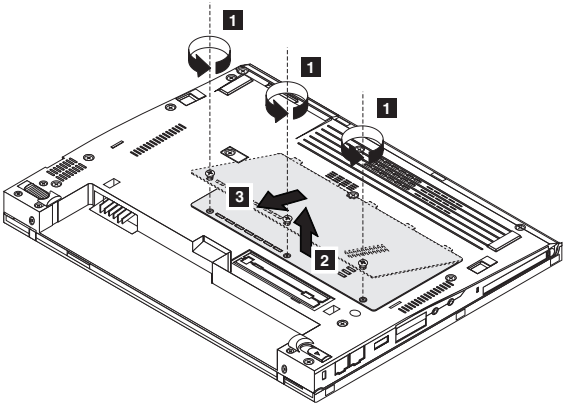
**When installing:** Make sure that the hard disk is connected firmly.

## 1030 DIMM cover

For access, remove following FRU:

- “1010 Battery pack” on page 77

**Note:** Loosen the screws **1**, but do not remove them.



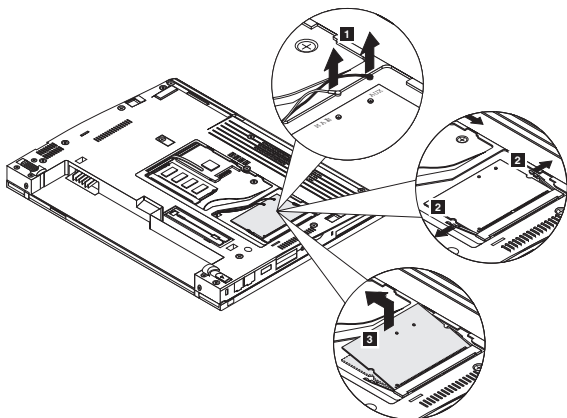
Step	Screw (quantity)	Torque
<b>1</b>	M2 x3 mm (3)	0.157 Nm (1.6 kgfcm)

## 1040 Mini PCI adapter, DIMM, MDC-2, and BMDC-3

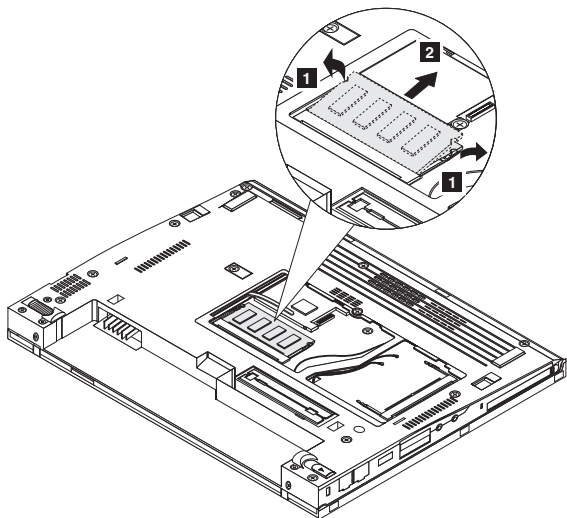
For access, remove following FRUs, in order:

- “1010 Battery pack” on page 77
- “1030 DIMM cover” on page 79

Detach antenna and remove Mini PCI adapter.

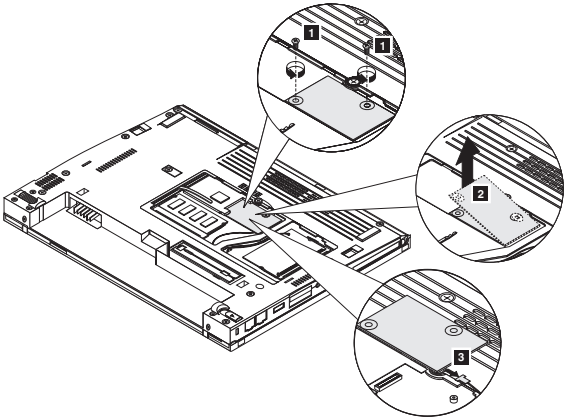


Pull over the levers to detach DIMM.

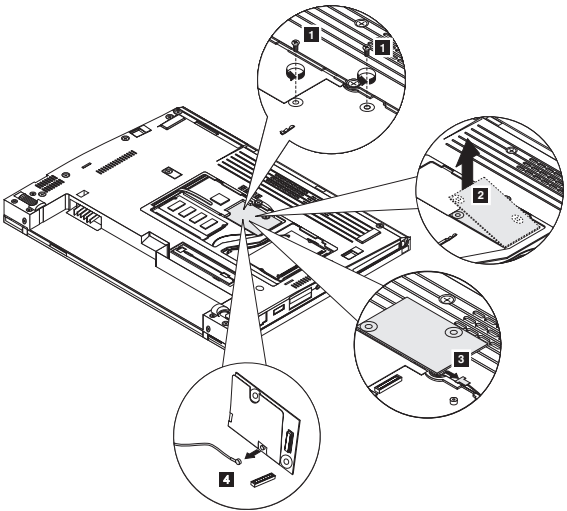


(continued)

Remove MDC-2 (ThinkPad Integrated 56K Modem).



Or remove BMDC-3 (ThinkPad Integrated Bluetooth IV with 56K Modem).



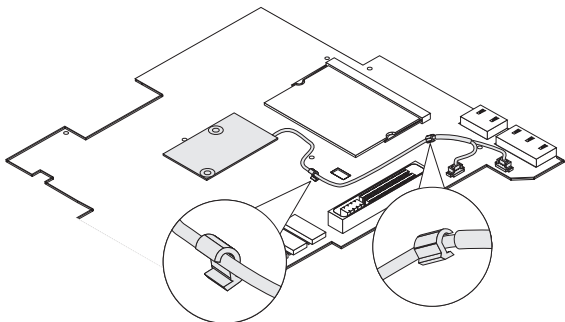
Step	Screw (quantity)	Torque
<b>1</b>	M2 × 3.5 mm, nylon-coated (2)	0.196 Nm (2 kgfcm)

(continued)

## Removing and replacing a FRU

When installing, route the modem cable as shown below.

**Note:** The bluetooth cable should be routine between planar and BMDC.

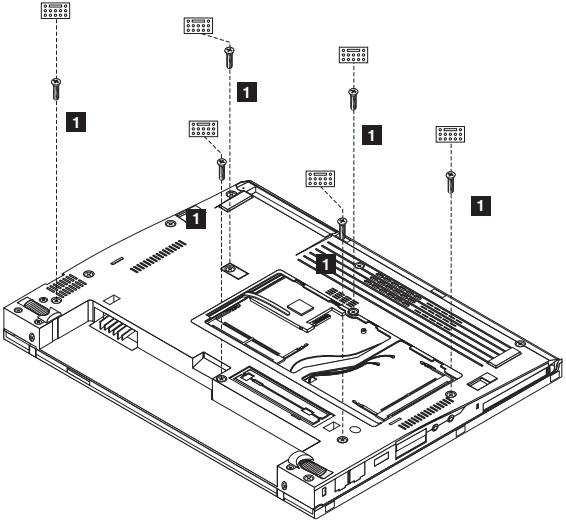


## 1050 Keyboard

For access, remove following FRU:

- “1010 Battery pack” on page 77

Remove 6 screws with keyboard icon to remove keyboard.

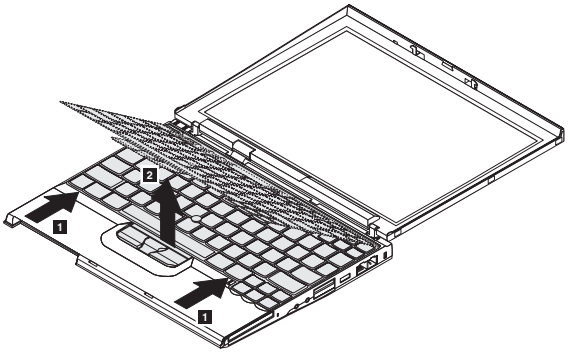


Step	Screw (quantity)	Torque
<b>1</b>	M2 × 6 mm, nylon-coated (6)	0.196 Nm (2 kgfcm)

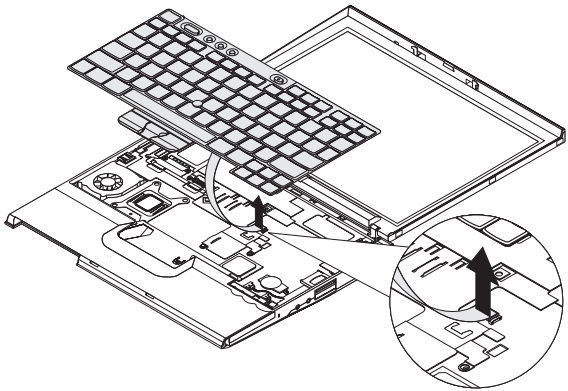
(continued)

*Removing and replacing a FRU*

Gently push the keyboard forward, as shown in step **1**. Then lift up the keyboard slightly, as shown in step **2**.



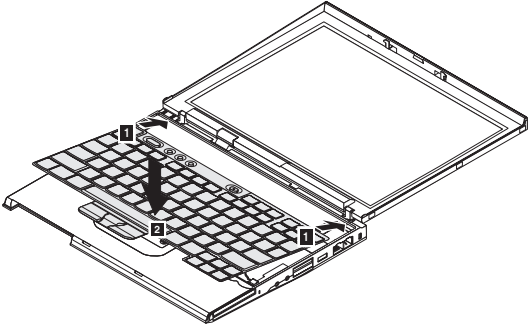
Detach the keyboard connector to remove the keyboard.



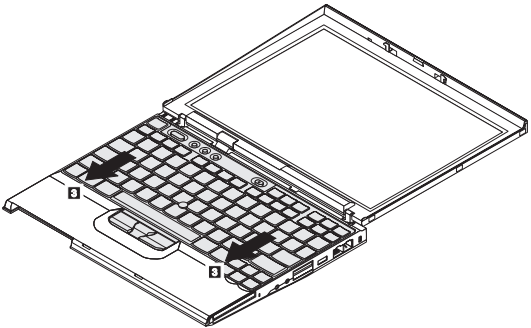


**When installing:** Follow the steps below.

1. Attach the connector.
2. Make sure that the keyboard edges, shown in the step **1**, are under the frame. Then press the keys indicated by step **2** to latch the keyboard firmly in place.



3. To make sure that the front side of the keyboard is housed firmly, gently press the keys with your thumbs and try to slide the keyboard toward you.



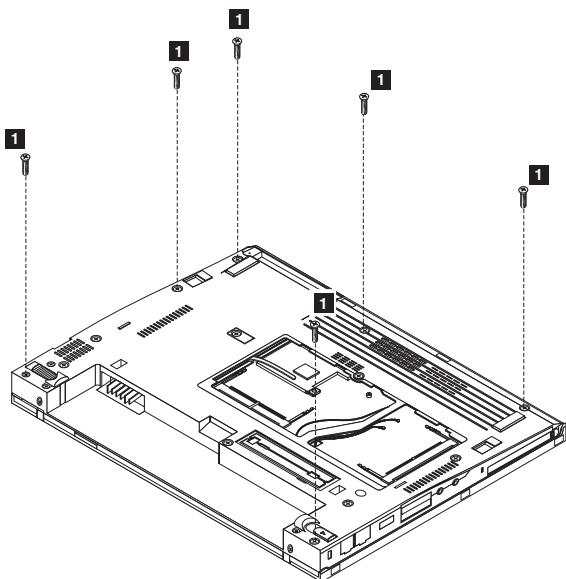
4. Secure the keyboard by tightening the screws from the bottom side of the computer.

## 1060 Upper case

For access, remove following FRUs, in order:

- “1010 Battery pack” on page 77
- “1050 Keyboard” on page 83

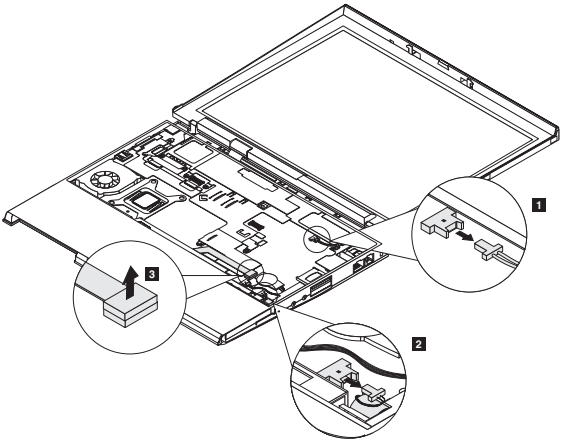
Remove 6 screws as shown below.



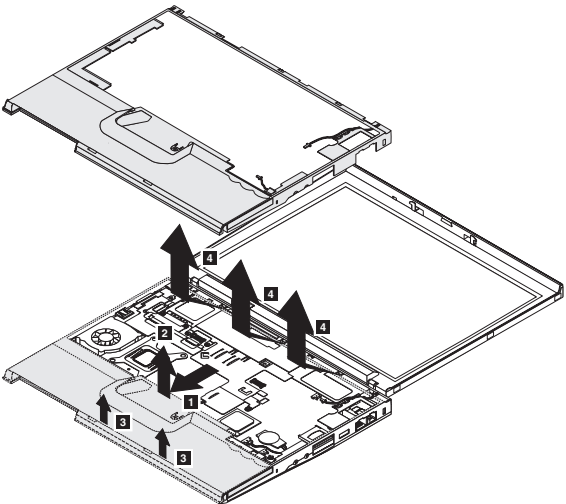
Step	Screw (quantity)	Torque
<b>1</b>	M2 × 6 mm, nylon-coated (6)	0.196 Nm (2 kgfcm)

(continued)

Detach cover switch cable(suspend cable), shown as **1** , microphone cable, shown as **2** , and fingerprint FPC, shown as **3** .

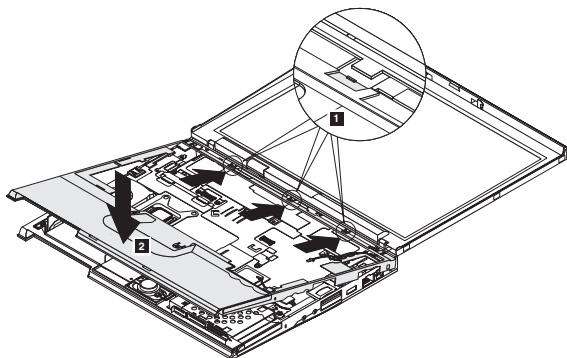


Gently push the upper case backward, as shown in step **1** . And lift it up slightly, as shown in step **2** . Then release the latches, as shown in step **3** and step **4** , carefully to remove the upper case.



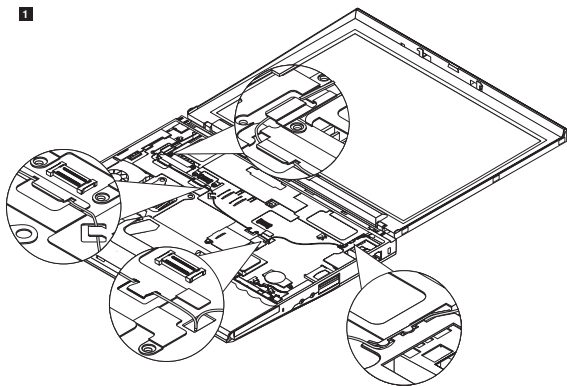
(continued)

**When installing:** Make sure that the upper case edges, shown in the step **1**, are under the frame.

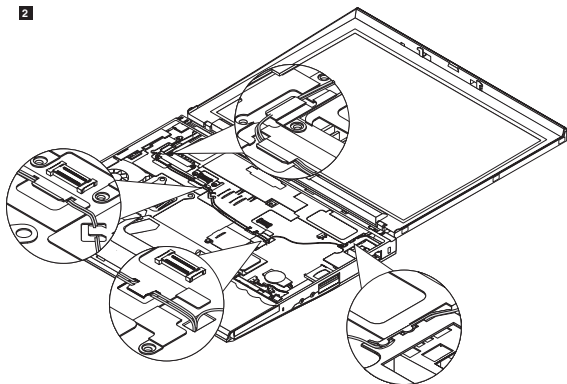


**Note:** After installing upper case, arrange antenna as **1**.  
If BMDC-3 is used, arrange antenna as **2**.

**1**



**2**



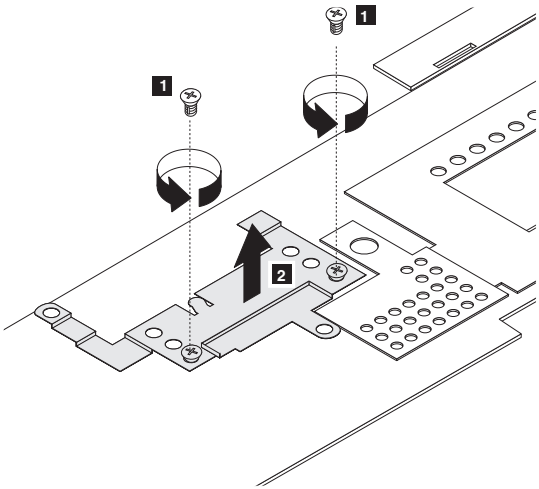
## 1070 Fingerprint board

**Note:** Only for the models with fingerprint function.

For access, remove following FRUs, in order:

- “1010 Battery pack” on page 77
- “1050 Keyboard” on page 83
- “1060 Upper case” on page 86

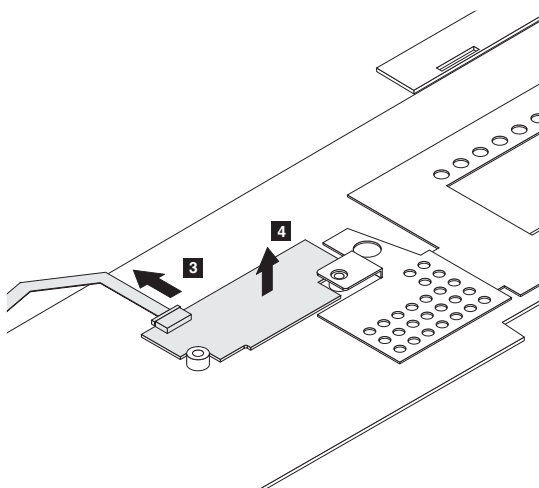
Before removing fingerprint board, remove the two screws to remove the fingerprint bracket.



Step	Screw (quantity)	Torque
<b>1</b>	M2 × 3.5 mm, nylon-coated (2)	0.196 Nm (2 kgfcm)

Remove the fingerprint FPC and remove the fingerprint board.

*Removing and replacing a FRU*



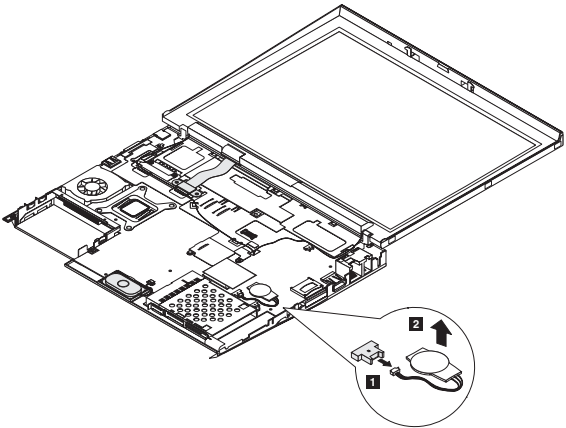
## 1080 Backup battery



Use only the battery specified in the parts list for your computer. The use of an incorrect battery can result in ignition or explosion of the battery.

For access, remove following FRUs, in order:

- “1010 Battery pack” on page 77
- “1020 Hard disk drive” on page 78
- “1030 DIMM cover” on page 79
- “1050 Keyboard” on page 83



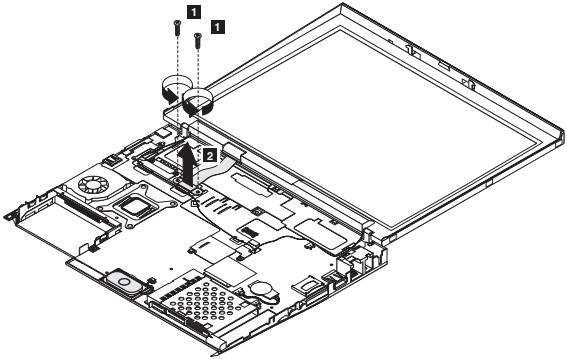
**When installing:** Make sure that the battery connector is attached firmly.

## 1090 LCD module

For access, remove following FRUs, in order:

- “1010 Battery pack” on page 77
- “1020 Hard disk drive” on page 78
- “1040 Mini PCI adapter, DIMM, MDC-2, and BMDC-3” on page 80
- “1050 Keyboard” on page 83
- “1060 Upper case” on page 86

Before removing LCD module, remove LCD FPC cable first.

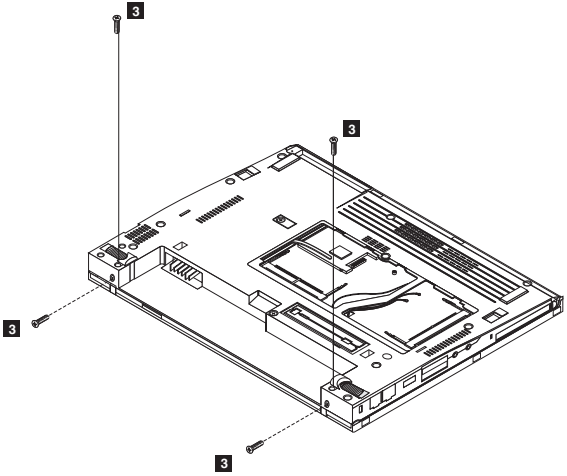


Step	Screw (quantity)	Torque
<b>1</b>	M2 x3.5 mm, nylon-coated (2)	0.196 Nm (2 kgfcm)

(continued)



Then remove the four screws as shown.

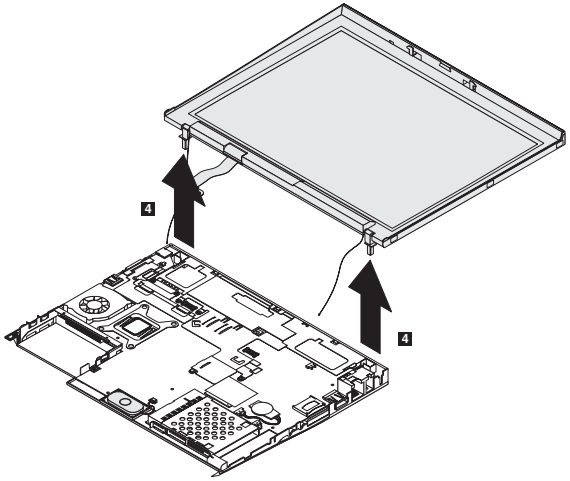


Step	Screw (quantity)	Torque
<b>3</b>	M2 x6 mm, nylon-coated (4)	0.196 Nm (2 kgfcm)

(continued)

*Removing and replacing a FRU*

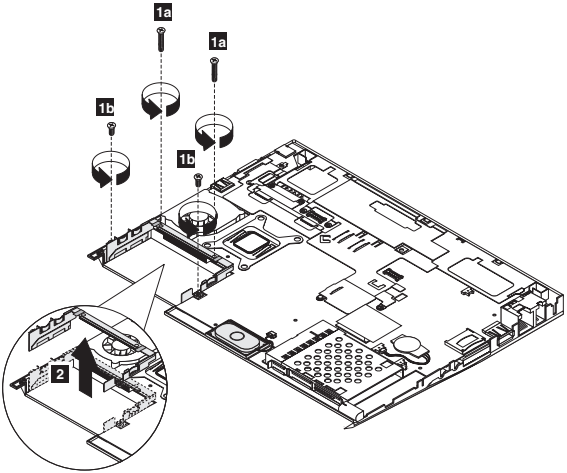
Remove LCD module.



## 1100 Hard disk housing assembly

For access, remove following FRUs, in order:

- “1010 Battery pack” on page 77
- “1020 Hard disk drive” on page 78
- “1050 Keyboard” on page 83
- “1060 Upper case” on page 86

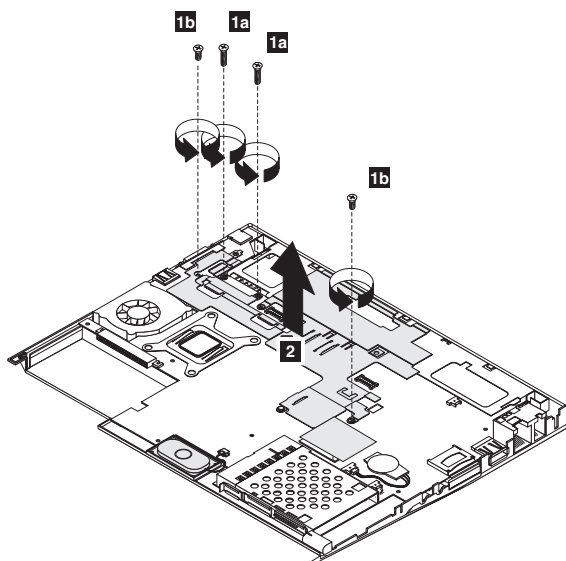


Step	Screw (quantity)	Torque
<b>1a</b>	M2 x8 mm, nylon-coated (2)	0.196 Nm (2 kgfcm)
<b>1b</b>	M2 x3.5 mm, nylon-coated (2)	0.196 Nm (2 kgfcm)

## 1110 Top shielding

For access, remove following FRUs, in order:

- “1010 Battery pack” on page 77
- “1020 Hard disk drive” on page 78
- “1030 DIMM cover” on page 79
- “1040 Mini PCI adapter, DIMM, MDC-2, and BMDC-3” on page 80
- “1080 Backup battery” on page 91
- “1050 Keyboard” on page 83
- “1060 Upper case” on page 86



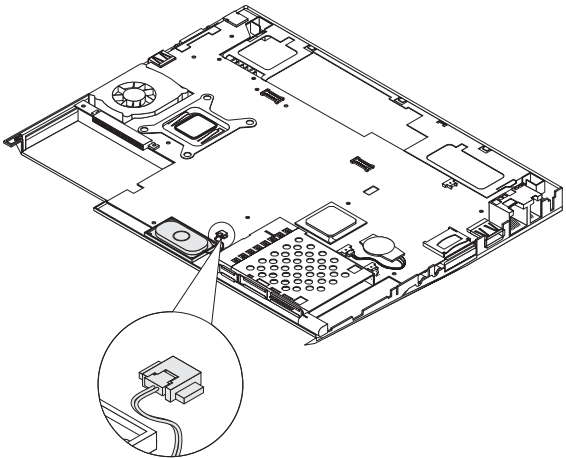
Step	Screw (quantity)	Torque
<b>1a</b>	M2 × 8 mm, nylon-coated (2)	0.196 Nm (2 kgfcm)
<b>1b</b>	M2 × 3.5 mm, nylon-coated (2)	0.196 Nm (2 kgfcm)

## 1120 Lower case

For access, remove following FRUs, in order:

- “1010 Battery pack” on page 77
- “1020 Hard disk drive” on page 78
- “1030 DIMM cover” on page 79
- “1040 Mini PCI adapter, DIMM, MDC-2, and BMDC-3” on page 80
- “1080 Backup battery” on page 91
- “1050 Keyboard” on page 83
- “1060 Upper case” on page 86
- “1100 Hard disk housing assembly” on page 95
- “1110 Top shielding” on page 96

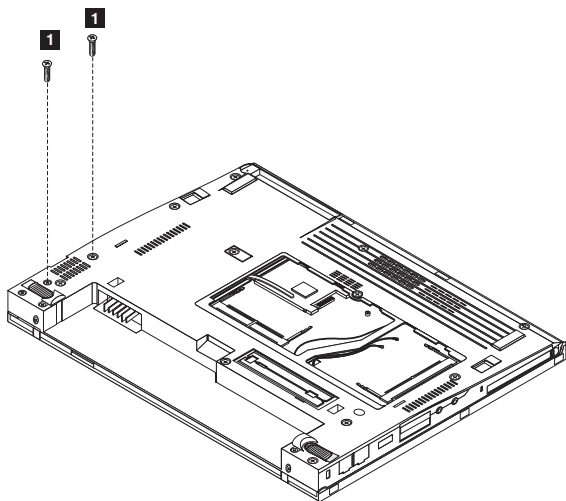
Before removing lower case, remove speaker cable first.



(continued)

## Removing and replacing a FRU

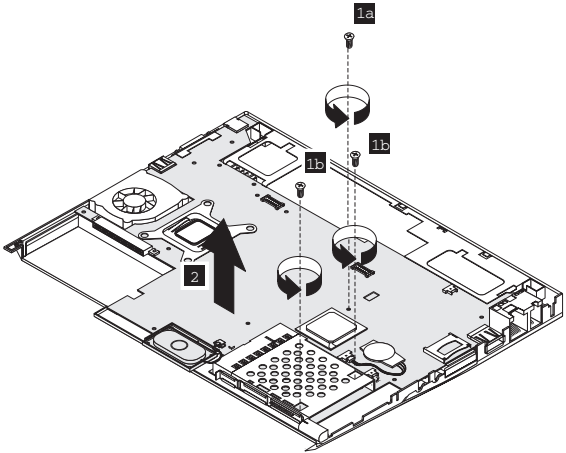
Remove the two screws at the bottom.



Step	Screw (quantity)	Torque
<b>1</b>	M2 × 6 mm, nylon-coated (2)	0.196 Nm (2 kgfcm)

(continued)

Remove lower case.

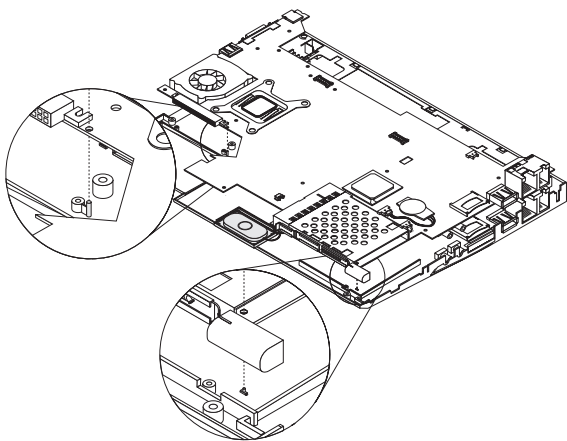


Step	Screw (quantity)	Torque
<b>1a</b>	M2 × 3.5 mm, nylon-coated (1)	0.1372 Nm (1.4 kgfcm)
<b>1b</b>	M2 × 3.5 mm, nylon-coated (2)	0.1372 Nm (1.4 kgfcm)

(continued)

*Removing and replacing a FRU*

**When installing:** Be careful to align with the 2 location notches.



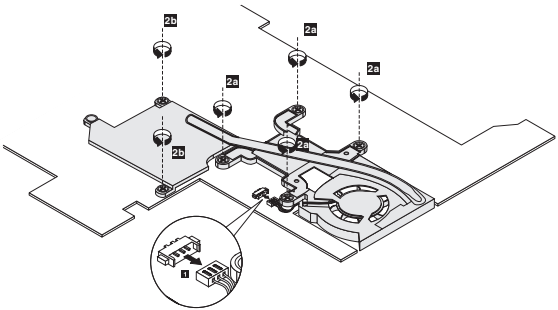


## 1130 Fansink

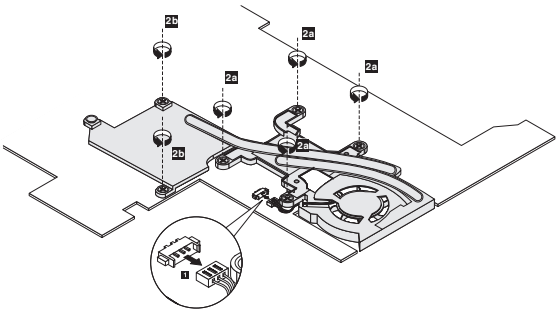
For access, remove following FRUs, in order:

- “1010 Battery pack” on page 77
- “1020 Hard disk drive” on page 78
- “1030 DIMM cover” on page 79
- “1040 Mini PCI adapter, DIMM, MDC-2, and BMDC-3” on page 80
- “1080 Backup battery” on page 91
- “1050 Keyboard” on page 83
- “1060 Upper case” on page 86
- “1100 Hard disk housing assembly” on page 95
- “1110 Top shielding” on page 96
- “1120 Lower case” on page 97

Remove Fan cable then release four screws to remove Fansink for the models with ULV processor.



Remove Fan cable then release four screws to remove Fansink for the models with LV processor.



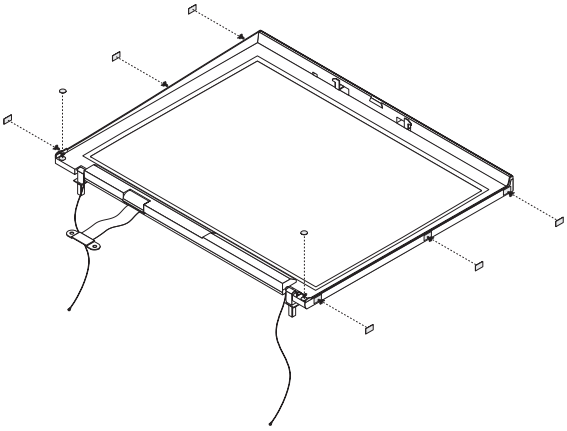
Step	Screw (quantity)	Torque
<b>2a</b>	M2 x7.3 mm (4)	0.196 Nm (2 kgfcm)
<b>2b</b>	M2 x3.5 mm (2)	0.196 Nm (2 kgfcm)

## 2010 LCD bezel

For access, remove following FRUs, in order:

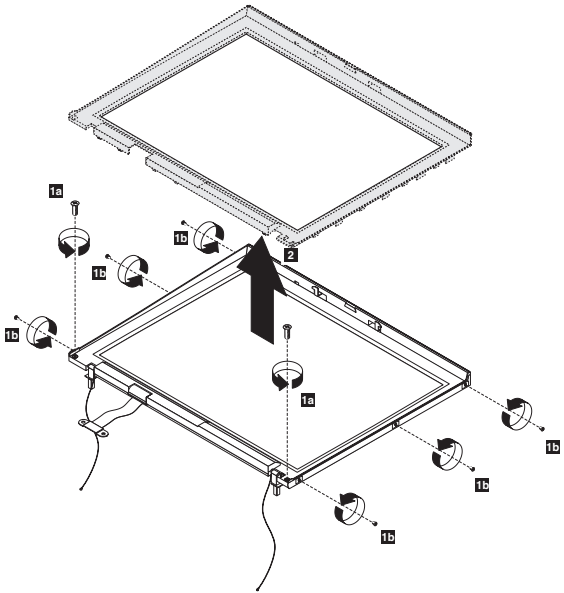
- “1010 Battery pack” on page 77
- “1020 Hard disk drive” on page 78
- “1030 DIMM cover” on page 79
- “1040 Mini PCI adapter, DIMM, MDC-2, and BMDC-3” on page 80
- “1080 Backup battery” on page 91
- “1050 Keyboard” on page 83
- “1060 Upper case” on page 86
- “1090 LCD module” on page 92

Before removing the LCD bezel, remove the mylars first.



(continued)

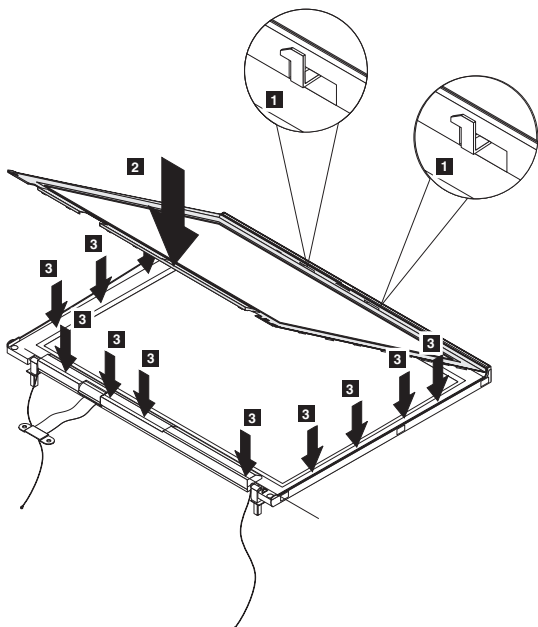
Remove LCD bezel.



Step	Screw (quantity)	Torque
<b>1a</b>	M2.5 × 5 mm, nylon-coated (2)	0.294 Nm (3 kgfcm)
<b>1b</b>	M2 × 2.5 mm, nylon-coated (6)	0.1568 Nm (1.6 kgfcm)

(continued)

**When installing:** first place the top edge under the frame, shown as **1**, then push the bezel down and secure with the latches, shown as **3**

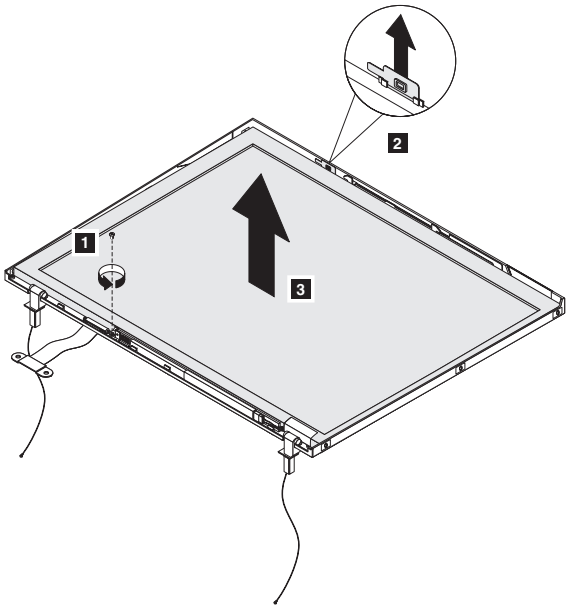


## 2020 LCD

For access, remove following FRUs, in order:

- “1010 Battery pack” on page 77
- “1020 Hard disk drive” on page 78
- “1030 DIMM cover” on page 79
- “1040 Mini PCI adapter, DIMM, MDC-2, and BMDC-3” on page 80
- “1080 Backup battery” on page 91
- “1050 Keyboard” on page 83
- “1060 Upper case” on page 86
- “1090 LCD module” on page 92
- “2010 LCD bezel” on page 102

Remove one screw and lift the cable up to release it from the latch, shown as **2**. Then remove the LCD.

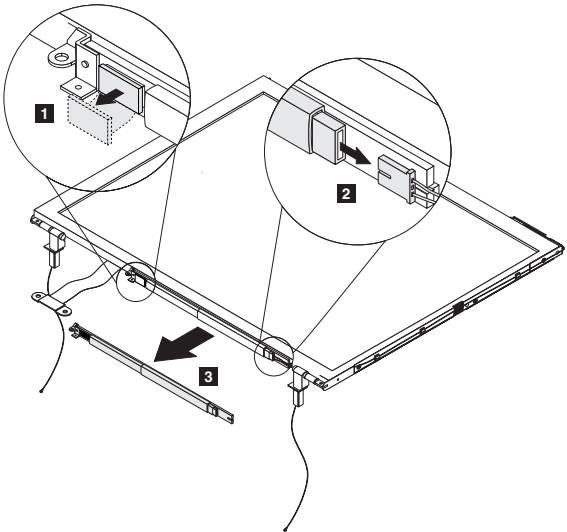


Step	Screw (quantity)	Torque
<b>1</b>	M2 × 2.5 mm, nylon-coated (1)	0.196 Nm (2 kgfcm)

## 2030 Inverter card

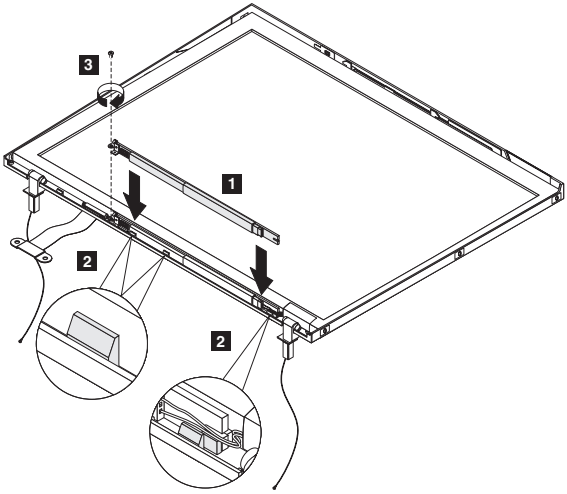
For access, remove following FRUs, in order:

- “1010 Battery pack” on page 77
- “1020 Hard disk drive” on page 78
- “1030 DIMM cover” on page 79
- “1040 Mini PCI adapter, DIMM, MDC-2, and BMDC-3” on page 80
- “1080 Backup battery” on page 91
- “1050 Keyboard” on page 83
- “1060 Upper case” on page 86
- “1090 LCD module” on page 92
- “2010 LCD bezel” on page 102
- “2020 LCD” on page 105



(continued)

**When installing:** Attach the inverter back to its original position, as shown in step **1**. And reconnect the LCD cable and inverter cable, as shown in step **2**. Then secure with the one screw, as shown in step **3**.

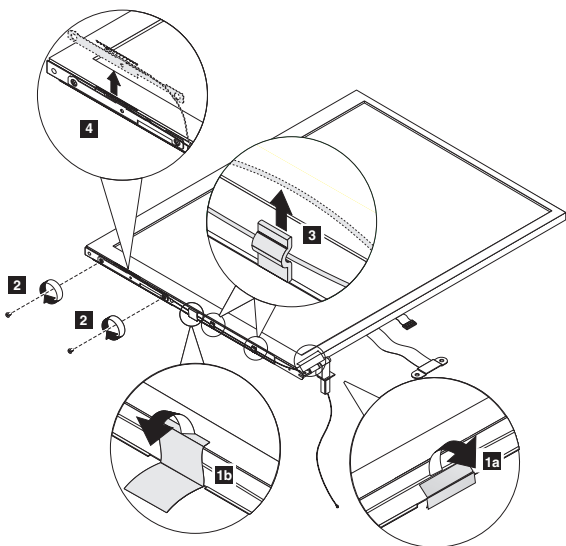


## 2040 Antenna L and antenna R

For access, remove following FRUs, in order:

- “1010 Battery pack” on page 77
- “1020 Hard disk drive” on page 78
- “1030 DIMM cover” on page 79
- “1040 Mini PCI adapter, DIMM, MDC-2, and BMDC-3” on page 80
- “1080 Backup battery” on page 91
- “1050 Keyboard” on page 83
- “1060 Upper case” on page 86
- “1090 LCD module” on page 92
- “2010 LCD bezel” on page 102
- “2020 LCD” on page 105
- “2030 Inverter card” on page 106

Remove the antenna L.

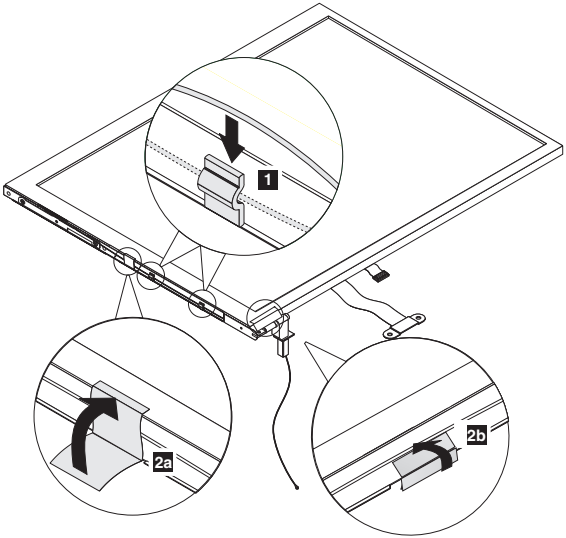


Step	Screw (quantity)	Torque
2	M2 × 2.5 mm, nylon-coated (2)	0.1568 Nm (1.6 kgfcm)

(continued)



**When installing:** Put the antenna L in the two clips and put the tape back to its original place, shown as **1** and **2**, before securing it with the two screws.

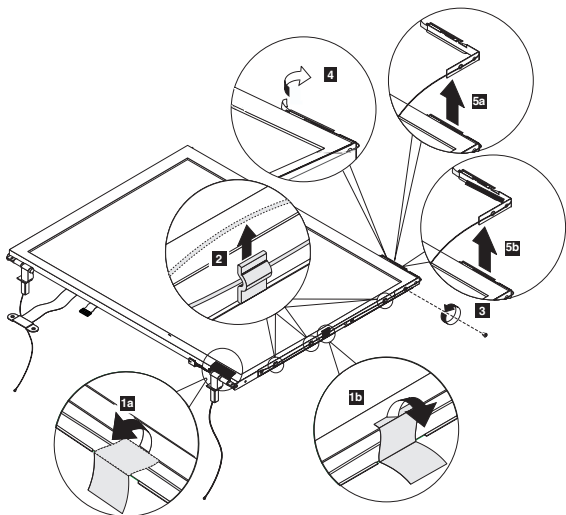


(continued)

## Removing and replacing a FRU

Remove the antenna R.

**Note:** For FRU LCD 92P6687 (ID Tech), remove the antenna R (without gasket) as **5a**. For FRU 92P6728 (Samsung), remove the antenna R (with gasket) as **5b**.

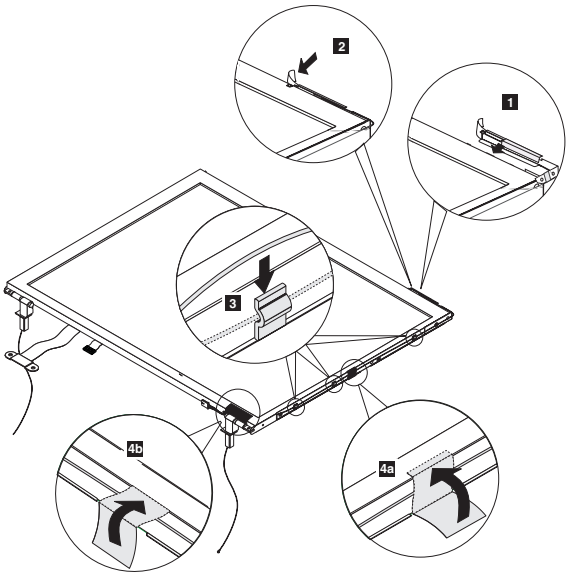


Step	Screw (quantity)	Torque
<b>3</b>	M2 × 2.5 mm, nylon-coated (1)	0.196 Nm (2 kgfcm)

(continued)

**Notes:**

1. Choose the correct antenna R for LCD. Choose antenna R with gasket for FRU LCD 92P6728 (Samsung), while antenna R without gasket for FRU LCD 92P6687 (ID Tech).
2. When installing, align the antenna hook with the LCD edge to put the antenna R back to its original place, shown as **1**, and reattach the mylar, shown as **2**. Then put the antenna R in the three clips, shown as **3**, and put the tape back to its original place, shown as **4a** and **4b**, before securing it with the one screw.

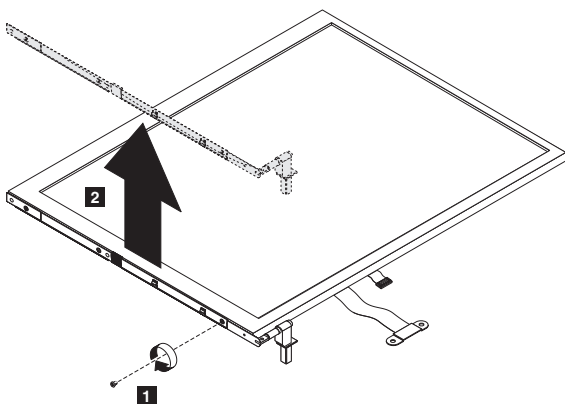


## 2050 Hinge L and hinge R

For access, remove following FRUs, in order:

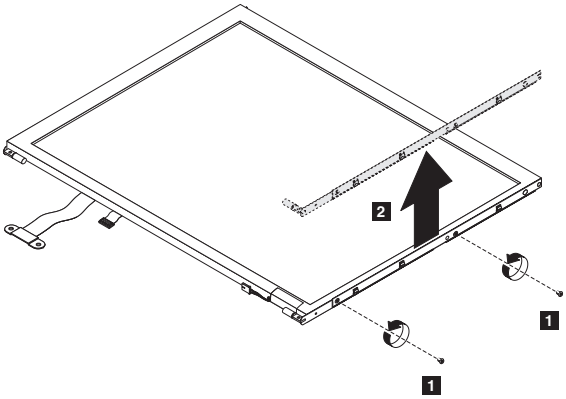
- “1010 Battery pack” on page 77
- “1020 Hard disk drive” on page 78
- “1030 DIMM cover” on page 79
- “1040 Mini PCI adapter, DIMM, MDC-2, and BMDC-3” on page 80
- “1080 Backup battery” on page 91
- “1050 Keyboard” on page 83
- “1060 Upper case” on page 86
- “1090 LCD module” on page 92
- “2010 LCD bezel” on page 102
- “2020 LCD” on page 105
- “2030 Inverter card” on page 106
- “2040 Antenna L and antenna R” on page 108

Remove hinge L.



Step	Screw (quantity)	Torque
<b>1</b>	M2 × 2.5 mm, nylon-coated (1)	0.1568 Nm (1.6 kgfcm)

Remove hinge R.



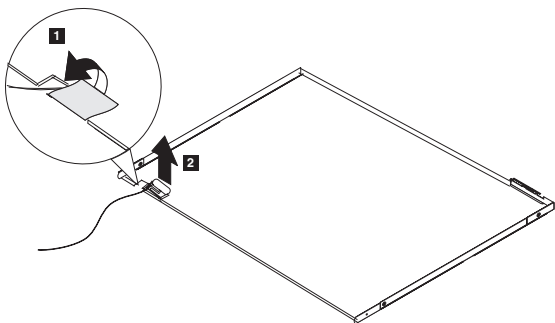
Step	Screw (quantity)	Torque
<b>1</b>	M2 × 2.5 mm, nylon-coated (2)	0.1568 Nm (1.6 kgfcm)

## 2060 Bluetooth antenna cable

For access, remove following FRUs, in order:

- “1010 Battery pack” on page 77
- “1020 Hard disk drive” on page 78
- “1030 DIMM cover” on page 79
- “1040 Mini PCI adapter, DIMM, MDC-2, and BMDC-3” on page 80
- “1080 Backup battery” on page 91
- “1050 Keyboard” on page 83
- “1060 Upper case” on page 86
- “1090 LCD module” on page 92
- “2010 LCD bezel” on page 102
- “2020 LCD” on page 105

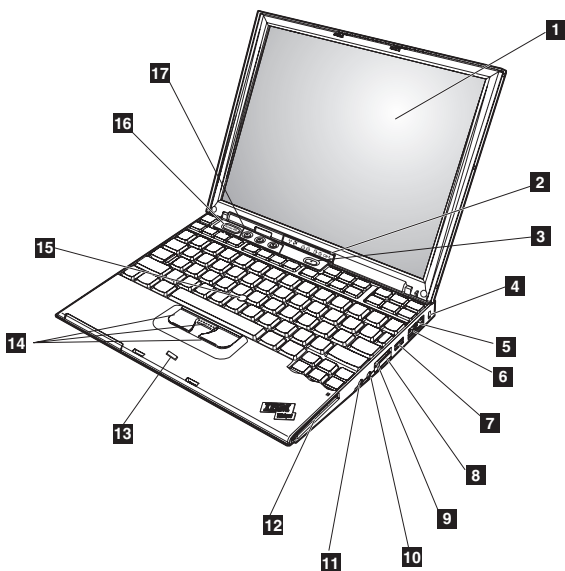
Remove the tape to remove bluetooth cable.



## Locations

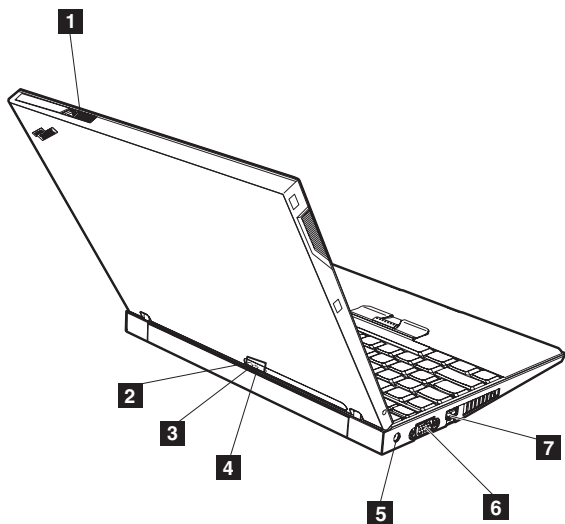
### Front view for X41 series

- 1** Computer display
- 2** System status indicators
- 3** Power switch
- 4** Security keyhole
- 5** Modem connector
- 6** Ethernet connector
- 7** USB connector
- 8** Infrared port
- 9** SD card slot
- 10** Stereo headphone jack
- 11** Microphone jack
- 12** PC card slot
- 13** Fingerprint reader (for some models)
- 14** TrackPoint button
- 15** TrackPointing stick
- 16** Access IBM button
- 17** Volume and mute buttons



## Rear view for X41 series

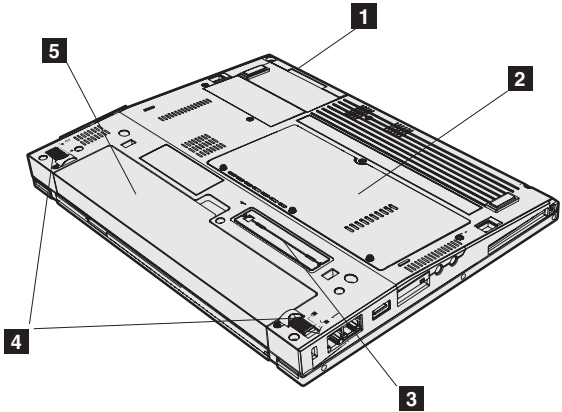
- 1** LCD latch
- 2** Standby status indicators
- 3** Battery status indicators
- 4** Bluetooth status indicators
- 5** AC Power connector
- 6** External monitor connector
- 7** Powered USB 2.0 connector





## Bottom view for X41 series

- 1** Hard disk drive
- 2** Mini-PCI and memory door
- 3** Docking connector
- 4** Battery pack latches
- 5** Battery pack

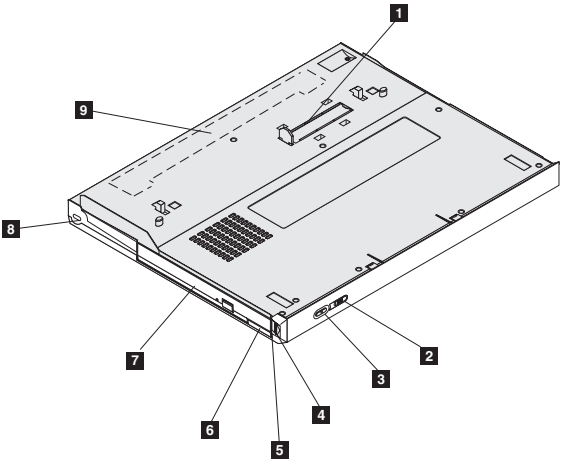


## Front View for X4 UltraBase Dock

- 1 Docking connector
- 2 Power lock knob
- 3 Power button
- 4 Ultrabay latch
- 5 Ultrabay status indicator
- 6 Ultrabay eject lever
- 7 Ultra Plus

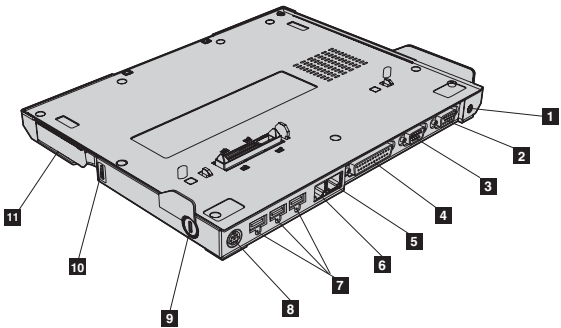
**Note:** The Ultrabay Slim accepts several storage devices, such as a DVD drive or a CD-RW drive, and also accepts an Ultrabay Slim carrier

- 8 Security keyhole
- 9 Foot



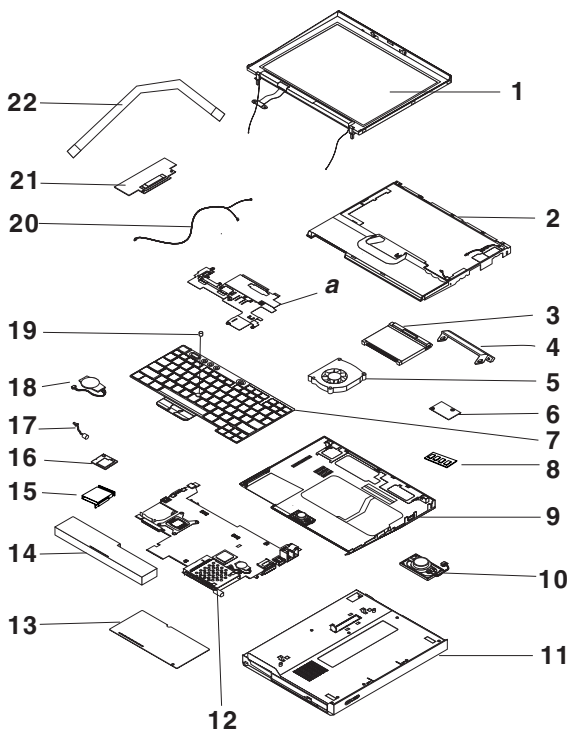
## Rear View for X4 UltraBase Dock

- 1** AC-in port
- 2** CRT port
- 3** Serial port
- 4** Parallel port
- 5** RJ45 (ethernet connector)
- 6** RJ11 (modem connector)
- 7** USB connectors
- 8** PS/2 (keyboard or mouse) connector
- 9** Security keyhole
- 10** System eject button
- 11** System eject lever



## Parts list

### Overall



- Each FRU is available for all types or models, unless specific types or models are specified.
- A CRU (customer-replacable unit) is identified by a single asterisk (\*) or two asterisks (\*\*) in the CRU ID column. An N in the CRU ID column means the part is not a CRU. A single asterisk (\*) means the part is a Tier 1 CRU; two asterisks (\*\*) means the part is a Tier 2 CRU.
- FRUs marked with **OP** are available as options.

No.	FRU	P/N	CRU ID
a	See "Miscellaneous parts" on page 134.		N
1	LCD unit (see "LCD FRUs" on page 130.)		N
2	Keyboard bezel <ul style="list-style-type: none"> <li>• 1864-16x</li> <li>• 1865-17x</li> <li>• 2525-11x, 14x, 15x, 18x, 1Ax, 1Bx, 1Gx, 1Kx, 1Lx, 21x, 23x, 24x, 31x, 33x, 3Bx, 3Cx, 3Dx, 41x, 43x, 45x, 47x, 48x, 4Cx, Axx, Bxx, Cxx, Dxx</li> <li>• 2526-18x, 3Cx, Axx, Cxx</li> <li>• 2527-11x, 1Dx, 1Mx, 29x, 2Ax, 31x, 41x, 44x, Axx, Bxx, Cxx, Dxx</li> <li>• 2528-11x, 1Dx, 31x, 41x, Axx, Dxx</li> </ul>	26R8926	N
	Keyboard bezel with fingerprint feature <ul style="list-style-type: none"> <li>• 2525-5xx, 6xx, Exx, Fxx</li> <li>• 2526-5xx, Exx</li> <li>• 2527-5xx, 6xx, Exx, Fxx</li> <li>• 2528-5xx, 6xx, Exx, Fxx</li> </ul>	26R8927	N
3	<b>Note:</b> The following models should only use RoHS hard disk drive (39T2541, 39T2543, 39T2545, 39T2547): <ul style="list-style-type: none"> <li>• 2525-CTO, A1x, A2x, A3x, A4x, A5x, A6x, A7x, A8x, A9x, B1x, B3x, C1x, C3x, C4x, C5x, C6x, D1x, D2x, D3x, D5x,, D6x, E1x, E2x, E3x, E4x, E5x, E6x, E7x, E8x, E9x, EAx, EBx, F1x, F2x, F3x, F4x, F5x, F6x, F7x, F8x, F9x, FAX, FBx, FCx, FDx, FEx, FFx, FGx, FTx, FUx)</li> <li>• 2526-CTO, A2x, C3x, E2x)</li> <li>• 2527-CTO, ABx, ACx, ADx, B2x, B4x, C2x, D7x, D8x, EJx, F4x, FHx, FLx, FKx, FMx, FNx, FQx)</li> <li>• 2528-CTO, AEx, D9x, ELx, EMx, FOx, FPx, FRx, FSx)</li> </ul>		
	Hard disk drive, 20 GB, 7 mm, 4,200 rpm with tray and screws <ul style="list-style-type: none"> <li>• Supported by CTO</li> </ul>		
	Hitachi (DK14FA-20)	92P6083	*
	Hitachi <b>OP</b>	39T2541	*
	Hard disk drive, 30 GB, 9.5 mm, 4,200 rpm with tray and screws, Hitachi <b>OP</b> <ul style="list-style-type: none"> <li>• Supported by CTO</li> </ul>	92P6140	*
	Hard disk drive, 30 GB, 7 mm, 4,200 rpm with tray and screws, Hitachi <ul style="list-style-type: none"> <li>• Supported by CTO</li> </ul>	39T2543	*

(continued)

No.	FRU	P/N	CRU ID
3	Hard disk drive, 40 GB, 9.5 mm, 4,200 rpm with tray and screws <b>OP</b>		
	<ul style="list-style-type: none"> <li>• 1864-16x</li> <li>• 1865-17x</li> <li>• 2525-14x, 15x, 18x, 1Ax, 1Bx, 1Gx, 1Kx, 1Lx, 23x, 24x, 33x, 3Bx, 3Cx, 3Dx, 43x, 45x, 47x, 48x, 4Cx, 54x, 55x, 56x, 57x, 58x, 59x, 5Gx, 5Hx, 5Zx, 64x, 65X, 68x, 69x, 6Jx, A2x, A3x, A4x, A5x, A6x, A7x, A8x, A9x, B3x, C4x, C5x, C6x, D2x, D3x, D5x, D6x, E3x, E4x, E5x, E6x, E7x, F2x, F3x, F4x, F7x, F8x</li> <li>• 2526-18x, 3Cx, 54x, A2x</li> <li>• 2527-1Dx, 1Mx, 29x, 44x, 55x, 5Fx, 64x, 67x, ACx, ADx, B4x, C2x, D8x, EJx, F4x, FLx</li> <li>• 2528-1Dx, 55x, 5Fx, ELx, EMx</li> </ul>		
	Hitachi (DK13FA-40)	92P6085	*
	Hitachi	39T2545	*
	Hard disk drive, 60 GB, 9.5 mm, 4,200 rpm with tray and screws, Hitachi <b>OP</b>	39T2547	*
	<ul style="list-style-type: none"> <li>• 2525-53x, 5Ax, 5Bx, 5Cx, 5Dx, 5Ex, 5Jx, 63x, 6Bx, 6Cx, 6Dx, 6Ex, 6Hx, 6Kx, 6Lx, 6Mx, 6Nx, B2x, C3x, E2x, E8x, E9x, EAx, EBx, F5x, F6x, F9x, FAx, FBx, FCx, FDx, FEx, FFx, FGx, FQx, FKx, FMx, FNx, FTx</li> <li>• 2526-C3x, E2x</li> <li>• 2527-2Ax, 6Fx, 6Gx, 6Lx, 6Nx, B2x, FKx, FMx, FNx, FQx</li> <li>• 2528-6Nx, FPx, FRx, FSx</li> </ul>		
	<p><b>Note:</b> The following models should only use RoHS hard disk drive (39T2541, 39T2543, 39T2545, 39T2547):</p> <ul style="list-style-type: none"> <li>• 2525-CTO, A1x, A2x, A3x, A4x, A5x, A6x, A7x, A8x, A9x, B1x, B3x, C1x, C3x, C4x, C5x, C6x, D1x, D2x, D3x, D5x, D6x, E1x, E2x, E3x, E4x, E5x, E6x, E7x, E8x, E9x, EAx, EBx, F1x, F2x, F3x, F4x, F5x, F6x, F7x, F8x, F9x, FAx, FBx, FCx, FDx, FEx, FFx, FGx, FTx, FUx)</li> <li>• 2526-CTO, A2x, C3x, E2x)</li> <li>• 2527-CTO, ABx, ACx, ADx, B2x, B4x, C2x, D7x, D8x, EJx, F4x, FHx, FLx, FKx, FMx, FNx, FQx)</li> <li>• 2528-CTO, AEx, D9x, ELx, EMx, FOx, FPx, FRx, FSx)</li> </ul>		
	For optional hard disk drive, see "Optional FRUs" on page 135.		
4	Hard disk drive cover	13N5317	*
5	Fan assembly LV Dothan Alviso	26R9618	N

(continued)

No.	FRU	P/N	CRU ID
6	ThinkPad Integrated 56K Modem (MDC-2) <ul style="list-style-type: none"> <li>• 1864-1xx</li> <li>• 1865-1xx</li> <li>• 2525-1xx, 3xx, 5xx</li> <li>• 2526-1xx, 3xx, 5xx</li> <li>• 2527-1xx, 3xx, 5xx</li> <li>• 2528-1xx, 3xx, 5xx</li> </ul>	93P4166	**
	ThinkPad Integrated 56K Modem (MDC-2) <ul style="list-style-type: none"> <li>• 2525-Axx, Cxx, Exx</li> <li>• 2526-Axx, Cxx, Exx</li> <li>• 2527-Axx, Cxx, Exx</li> <li>• 2528-Axx, Exx</li> </ul>	93P4212	**
	ThinkPad Integrated Bluetooth IV with 56K Modem (BMDC-3) <ul style="list-style-type: none"> <li>• 2525-2xx, 4xx, 6xx, Bxx, Dxx, Fxx</li> <li>• 2527-2xx, 4xx, 6xx, Bxx, Dxx, Fxx</li> <li>• 2528-4xx, 6xx, Fxx</li> </ul>	39T0026	**
7	Keyboard (see “Keyboard” on page 131.)		
8	512-MB DDR2-533 SDRAM SO-DIMM (PC2-4200) card <b>OP</b> <ul style="list-style-type: none"> <li>• 2525-4Cx, 58x, 59x, 5Dx, 5Ex, 5Hx, 5Jx</li> </ul>	73P3843	*
	For optional DIMM card, see “Optional FRUs” on page 135.		
9	Lower case with label, 1864 WW <ul style="list-style-type: none"> <li>• 1864-all except xxK</li> </ul>	26R8928	N
	Lower case with label, 1864 Korea <ul style="list-style-type: none"> <li>• 1864-xxK</li> </ul>	26R8934	N
	Lower case with label, 1865 WW <ul style="list-style-type: none"> <li>• 1865-all except xxK</li> </ul>	26R8929	N
	Lower case with label, 1865 Korea <ul style="list-style-type: none"> <li>• 1865-xxK</li> </ul>	26R8935	N
	Lower case with label, 2525 WW <ul style="list-style-type: none"> <li>• 2525-all except xxK</li> </ul>	26R8930	N
	Lower case with label, 2525 Korea <ul style="list-style-type: none"> <li>• 2525-xxK</li> </ul>	26R8936	N
	Lower case with label, 2526 WW <ul style="list-style-type: none"> <li>• 2526-all except xxK</li> </ul>	26R8931	N
	Lower case with label, 2526 Korea <ul style="list-style-type: none"> <li>• 2526-xxK</li> </ul>	26R8937	N
	Lower case with label, 2527 WW <ul style="list-style-type: none"> <li>• 2527-all except xxK</li> </ul>	26R8932	N
	Lower case with label, 2528 WW <ul style="list-style-type: none"> <li>• 2528-all except xxK</li> </ul>	26R8933	N

(continued)

## Parts list

No.	FRU	P/N	CRU ID
10	Speaker kit	39T0802	N
11	X4 UltraBase <b>OP</b>	91P9282	*
—	UltraBase security screw	13N5332	*
12	System board for LV 1.5 GHz Dothan Alviso 256 MB with security chip <ul style="list-style-type: none"> <li>• 1864-1xx</li> <li>• 1865-1xx</li> <li>• 2525-1xx, 2xx</li> <li>• 2526-1xx</li> <li>• 2527-1xx, 2xx</li> <li>• 2528-1xx</li> </ul>	39T0056	N
	System board for LV 1.5 GHz Dothan Alviso 512 MB with security chip <ul style="list-style-type: none"> <li>• 2525-3xx, 4xx, 5xx, 6xx</li> <li>• 2526-3xx, 5xx</li> <li>• 2527-3xx, 4xx, 5xx, 6xx</li> <li>• 2528-3xx, 4xx, 5xx, 6xx</li> </ul>	39T0058	N
	System board for LV 1.6 GHz Dothan Alviso 256 MB with security chip <ul style="list-style-type: none"> <li>• 2525-Axx, Bxx</li> <li>• 2526-Axx</li> <li>• 2527-Axx, Bxx</li> <li>• 2528-Axx</li> </ul>	41W1006	N
	System board for LV 1.6 GHz Dothan Alviso 512 MB with security chip <ul style="list-style-type: none"> <li>• 2525-Cxx, Dxx, Exx, Fxx</li> <li>• 2526-Cxx, Exx</li> <li>• 2527-Cxx, Dxx, Exx, Fxx</li> <li>• 2528-Dxx, Exx, Fxx</li> </ul>	41W1008	N
13	Mini-PCI and DIMM door with screws	26R8938	*
14	Battery pack, Li-Ion (4 cell) WW <b>OP</b> <ul style="list-style-type: none"> <li>• 2525-14x, 15x, 1Lx, 23x, 33x, 43x, 4Cx, 53x, 5Gx, 63x, 64x, 65x, 6Dx, 6Ex</li> <li>• 2527-1Mx, 29x, 44x, 64x, 67x, 6Fx, 6Gx</li> </ul>		
	Sanyo	92P0998	*
	Panasonic	92P1000	*
	Battery pack, Li-Ion (4 cell) WW <b>OP</b> <ul style="list-style-type: none"> <li>• 2525-A4x, A5x, A9x, C4x, C6x, F5x, F7x, F8x, F9x, FAx, FTx</li> <li>• 2527-ADx, B2x, C2x, D8x, F4x, FLx, FMx, FNx</li> </ul>		
	Sanyo	92P1145	*
	Panasonic	92P1147	*

(continued)



No.	FRU	P/N	CRU ID
14	Battery pack, Li-Ion, (8 cylindrical cell, 2.6 Ah) WW, Sanyo <b>OP</b> <ul style="list-style-type: none"> <li>• 1864-16x</li> <li>• 1865-17x</li> <li>• 2525-18x, 1Ax, 1Bx, 1Gx, 1Kx, 24x, 3Bx, 3Cx, 3Dx, 45x, 47x, 48x, 54x, 55x, 56x, 57x, 58x, 59x, 5Ax, 5Bx, 5Cx, 5Dx, 5Ex, 5Hx, 5Jx, 5Zx, 68x, 69x, 6Bx, 6Cx, 6Hx, 6Jx, 6Kx, 6Lx, 6Mx, 6Nx</li> <li>• 2526-18x, 3Cx, 54x</li> <li>• 2527-1Dx, 2Ax, 55x, 5Fx, 6Lx, 6Nx</li> <li>• 2528-1Dx, 55x, 5Fx, 6Nx</li> </ul>	92P1080	*
	Battery pack, Li-Ion, (8 cylindrical cell, 2.6 Ah) WW, Sanyo <b>OP</b> <ul style="list-style-type: none"> <li>• 2525-A2x, C3x, E2x, E4x, D2x, F2x, F3x, C5x, E3x, E5x, E6x, E7x, F4x, A3x, B3x, E9x, EBx, E8x, EAx, D3x, F6x, D5x, D6x, A6x, A7x, A8x, FBx, FCx, FDx, FEx, FFx, FGx, FUx</li> <li>• 2526-A2x, C3x, E2x</li> <li>• 2527-EJx, FQx, B4x, ACx, FKx</li> <li>• 2528-ELx, EMx, FPx, FRx, FSx</li> </ul>	92P1149	*
	Battery pack, Li-Ion (4 cylindrical cell, 2.6 Ah) WW <b>OP</b> <ul style="list-style-type: none"> <li>• Supported by CTO</li> </ul>		
	Sanyo	92P1078	*
	Sanyo	92P1143	*
	For optional battery, see "Optional FRUs" on page 135.		
15	PC Card slot mech	13N5312	N
16	Intel PRO Wireless 2200BG Mini-PCI Adapter <b>OP</b> <ul style="list-style-type: none"> <li>US, Canada               <ul style="list-style-type: none"> <li>• 2525-14V, 15V, 1AV, 1BV, 24V, 3CF, 3CU, 3CV, 45U, 54F, 54U, 54V, 5ZU, 68V, 6JV</li> <li>• 2526-3CF, 3CU, 3CV, 54F, 54U, 54V</li> <li>• 2527-1DU, 29F, 29U, 2AF, 2AU, 64F, 64U, 6LF, 6LU</li> <li>• 2528-1DU</li> </ul> </li> </ul>	93P3483	*

(continued)

Parts list

No.	FRU	P/N	CRU ID
16	Intel PRO Wireless 2200BG Mini-PCI Adapter <b>0P</b>		
	<p>WW</p> <ul style="list-style-type: none"> <li>• 2525-14x, 15x, 1Ax, 1Bx, 1Gx, 1Kx, 23x, 24x, 33X, 3Cx, 43x, 45x, 47X, 53x, 54x, 64x, 68x, 6Bx, 6Dx, 6Jx, 6Lx, 6Mx (xxA, xxB, xxC, xxE, xxG, xxH, xxJ, xxK, xxL, xxM, xxP, xxQ, xxS, xxY)</li> <li>• 2526-3Cx, 54x, 5Zx (xxA, xxB, xxC, xxE, xxG, xxH, xxJ, xxK, xxL, xxM, xxP, xxQ, xxS, xxY)</li> <li>• 2527-1Dx, 1Mx, 29A, 2Ax, 44x, 64x, 6Fx, 6Lx (xxA, xxB, xxC, xxE, xxG, xxH, xxJ, xxK, xxL, xxM, xxP, xxQ, xxS, xxY)</li> <li>• 2528-1Dx (xxA, xxB, xxC, xxE, xxG, xxH, xxJ, xxK, xxL, xxM, xxP, xxQ, xxS, xxY)</li> </ul>	93P3485	*
	<p>US, Canada</p> <ul style="list-style-type: none"> <li>• 2525-A3x, A4x, A5x, A6x, A7x, A8x, B3x, C3x, C4x, D2x, D3x, D5x, E2x, E4x, F2x, F3x, F7x, F9x, FBx, FEx, FFx, FTx (xxU, xxF)</li> <li>• 2526-C3x, E2x (xxU, xxF)</li> <li>• 2527-ACx, ADx, B2x, C2x, D8x, F4x, FKx, FMx (xxU, xxF)</li> </ul>	39T0077	*
	<p>WW</p> <ul style="list-style-type: none"> <li>• 2525-A3x, A4x, A5x, A6x, A7x, A8x, B3x, C3x, C4x, D2x, D3x, D5x, E2x, E4x, F2x, F3x, F7x, F9x, FBx, FEx, FFx, FTx (All except xxU, xxF)</li> <li>• 2526-2526-C3x, E2x (All except xxU, xxF)</li> <li>• 2527-ACx, ADx, B2x, C2x, D8x, F4x, FKx, FMx (All except xxU, xxF)</li> </ul>	39T0079	*
<p>US, Canada</p> <ul style="list-style-type: none"> <li>• 2525-A3x, A4x, A5x, A6x, A7x, A8x, B3x, C3x, C4x, D2x, D3x, D5x, E2x, E4x, F2x, F3x, F7x, F9x, FBx, FEx, FFx, FTx (xxU, xxF)</li> <li>• 2526-C3x, E2x (xxU, xxF)</li> <li>• 2527-ACx, ADx, B2x, C2x, D8x, F4x, FKx, FMx (xxU, xxF)</li> </ul>	27K9932	*	

(continued)

No.	FRU	P/N	CRU ID
16	Intel PRO Wireless 2200BG Mini-PCI Adapter <b>OP</b>		
	WW <ul style="list-style-type: none"> <li>• 2525-A3x, A4x, A5x, A6x, A7x, A8x, B3x, C3x, C4x, D2x, D3x, D5x, E2x, E4x, F2x, F3x, F7x, F9x, FBx, FEx, FFx, FTx (All except xxU, xxF)</li> <li>• 2526-2526-C3x, E2x (All except xxU, xxF)</li> <li>• 2527-ACx, ADx, B2x, C2x, D8x, F4x, FKx, FMx (All except xxU, xxF)</li> </ul>	27K9934	*
	Intel PRO Wireless 2915ABG Mini-PCI Adapter <b>OP</b>		
	US, Canada <ul style="list-style-type: none"> <li>• 2525-C5x, E3x, E5x, F4x, E9x, EBx, F5x, F6x, F8x, FAx, D6x, FCx, FDx, FGx (xxU)</li> <li>• 2527-EJx, FQx, B4x, FLx, FNx (xxU)</li> <li>• 2528-ELx, FPz, EMx, FRx, FSx (xxU)</li> </ul>	93P4235	*
	EU <ul style="list-style-type: none"> <li>• 2525-C5x, E3x, E5x, F4x, E9x, EBx, F5x, F6x, F8x, FAx, D6x, FCx, FDx, FGx (xxG)</li> <li>• 2527-EJx, FQx, B4x, FLx, FNx (xxG)</li> <li>• 2528-ELx, FPz, EMx, FRx, FSx (xxG)</li> </ul>	39T0389	*
Japan <ul style="list-style-type: none"> <li>• 2525-C5x, E3x, E5x, F4x, E9x, EBx, F5x, F6x, F8x, FAx, D6x, FCx, FDx, FGx (xxJ)</li> <li>• 2527-EJx, FQx, B4x, FLx, FNx (xxJ)</li> <li>• 2528-ELx, FPz, EMx, FRx, FSx (xxJ)</li> </ul>	39T0391	*	
HB <ul style="list-style-type: none"> <li>• 2525-C5x, E3x, E5x, F4x, E9x, EBx, F5x, F6x, F8x, FAx, D6x, FCx, FDx, FGx</li> <li>• 2527-EJx, FQx, B4x, FLx, FNx</li> <li>• 2528-ELx, FPz, EMx, FRx, FSx</li> </ul>	39T0393	*	

(continued)

## Parts list

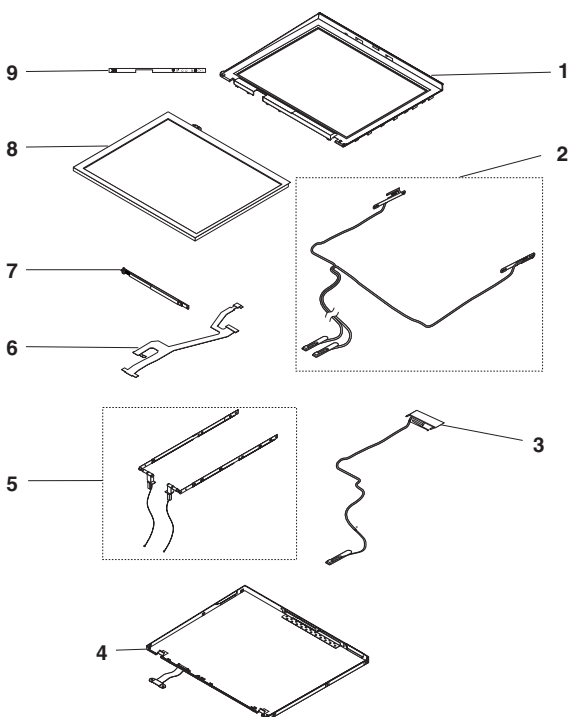
No.	FRU	P/N	CRU ID
16	Intel PRO Wireless 2915ABG Mini-PCI Adapter <b>0P</b>		
	US, Canada <ul style="list-style-type: none"> <li>• 2525-C5x, E3x, E5x, F4x, E9x, EBx, F5x, F6x, F8x, FAx, D6x, FCx, FDx, FGx (xxU)</li> <li>• 2527-EJx, FQx, B4x, FLx, FNx (xxU)</li> <li>• 2528-ELx, FPz, EMx, FRx, FSx (xxU)</li> </ul>	27K9936	*
	EU <ul style="list-style-type: none"> <li>• 2525-C5x, E3x, E5x, F4x, E9x, EBx, F5x, F6x, F8x, FAx, D6x, FCx, FDx, FGx (xxG)</li> <li>• 2527-EJx, FQx, B4x, FLx, FNx (xxG)</li> <li>• 2528-ELx, FPz, EMx, FRx, FSx (xxG)</li> </ul>	27K9938	*
	Japan <ul style="list-style-type: none"> <li>• 2525-C5x, E3x, E5x, F4x, E9x, EBx, F5x, F6x, F8x, FAx, D6x, FCx, FDx, FGx (xxJ)</li> <li>• 2527-EJx, FQx, B4x, FLx, FNx (xxJ)</li> <li>• 2528-ELx, FPz, EMx, FRx, FSx (xxJ)</li> </ul>	39T5643	*
HB <ul style="list-style-type: none"> <li>• 2525-C5x, E3x, E5x, F4x, E9x, EBx, F5x, F6x, F8x, FAx, D6x, FCx, FDx, FGx</li> <li>• 2527-EJx, FQx, B4x, FLx, FNx</li> <li>• 2528-ELx, FPz, EMx, FRx, FSx</li> </ul>	27K9942	*	

(continued)

No.	FRU	P/N	CRU ID
16	ThinkPad 11a/b/g Wireless LAN Mini PCI Adapter II		<b>0P</b>
	WW • 2525-3DF, 3DM, 55F, 55M, 63G, 69M, 6CB, 6CH, 6NB, 6NH, 6NM	93P4262	*
	EMEA • 2525-3Dx, 48X, 4Cx, 55x, 56x, 57x, 58x, 59x, 5Ax, 5Bx, 5Cx, 5Dx, 5Ex, 5Hx, 5Jx, 63x, 65X, 69x, 6Cx, 6Ex, 6Hx, 6Kx, 6Nx (xxA, xxC, xxG, xxK, xxP, xxV, xxY) • 2527-55x, 5Fx, 67x, 6Gx, 6Nx (xxA, xxC, xxG, xxK, xxP, xxV, xxY) • 2528-55x, 5Fx, 6Nx (xxA, xxC, xxG, xxK, xxP, xxV, xxY)	93P4264	*
	Japan • 2525-55E, 55J, 56J, 57J, 58J, 59J, 5AE, 5AJ, 5BJ, 5CJ, 5DJ, 5EJ, 5HE, 5HJ, 5JE, 5JJ	93P4266	*
	WW • 2525-E6x, E7x, E8x, EAx, FUx	39T0355	*
	EMEA • 2525-E6x, E7x, E8x, EAx, FUx (xxG)	39T0357	*
	Japan • 2525-E6x, E7x, E8x, EAx, FUx (xxJ)	39T5645	*
	Taiwan • 2525-E6x, E7x, E8x, EAx, FUx (xxV)	27K9999	*
	For optional MiniPCI adapters, see "Optional FRUs" on page 135.		
17	Cable assembly kit, Microphone	91P8318	N
18	Backup battery (3 V with wire)	92P1004	**
19	Track point cap set	91P9642	N
20	Cable assembly kit, RJ11	91P6831	N
21	Fingerprint card	39T0347	N
22	Fingerprint FPC	91P6911	N

## LCD FRUs

## 12.1-in. XGA TFT



No.	FRU	P/N	CRU ID
1	LCD bezel assembly 12.1-in. TFT	13N5310	N
2	Antenna cable set	13N5328	N
3	Bluetooth antenna cable set	13N5329	N
4	LCD rear cover assembly, 12.1-in. TFT	13N5308	N
5	LCD hinge and bracket kit	13N5311	N
6	LCD cable assembly	91P6830	N
	LCD cable assembly, Samsung	91P6861	N
7	LCD inverter card, AMBIT	27K9993	N
	LCD inverter card, Sumida	27K9991	N
	LCD inverter card, Sumida	39T5657	N
	LCD inverter card, Foxconn	39T5655	N
8	LCD unit 12.1-in. XGA, Samsung	92P6754	N
	LCD unit 12.1-in. XGA, ID Tech	92P6687	N
9	LCD icon plate	26R8923	N

## Keyboard

Language	P/N (NMB)	P/N (Chicony)	CRU ID
Arabic	93P4608	93P4666	**
Belgian	93P4602	93P4660	
Chinese, Traditional	93P4630	93P4688	
Czech	93P4618	93P4676	
Danish	93P4596	93P4654	
Dutch	91P8329	93P4648	
English, U.K.	91P8325	93P4644	
English, U.S.	91P8319	93P4638	
French, Canadian	91P8321	93P4640	
French, Canadian (058)	93P4748	93P4749	
French, European	91P8327	93P4646	
German	91P8323	93P4642	
Greek	93P4622	93P4680	
Hungarian	93P4620	93P4678	
Hebrew	93P4612	93P4670	
Italian	93P4598	93P4656	
Japanese	93P4628	93P4686	
Korean	93P4632	93P4690	
Norwegian	91P8333	93P4652	
Polish	93P4614	93P4672	
Portuguese	93P4606	93P4664	
Russian	93P4610	93P4668	
Slovakian	93P4626	93P4684	
Slovenian	93P4624	93P4682	
Spanish, European	93P4600	93P4658	
Spanish, Latin American	93P4634	93P4692	
Swedish / Finnish	91P8331	93P4650	
Swiss	93P4604	93P4662	
Thailand	93P4636	93P4694	
Turkish	93P4616	93P4674	
US English International	13N9925	—	

Parts list

For Models-xxU, xxP, xxA, xxH, xxC, xxM, xxE, xxQ, xxF, xxG, xxJ, xxV, xxB, xxK, xxS, xxY

Language	P/N (NMB)	P/N (Chicony)	CRU ID
Arabic	39T0821	39T0883	**
Belgian	39T0818	39T0880	
Chinese, Traditional	39T0832	39T0894	
Czech	39T0826	39T0888	
Danish	39T0815	39T0877	
Dutch	39T0812	39T0874	
English, U.K.	39T0810	39T0872	
English, U.S.	39T0806	39T0868	
French, Canadian	39T0807	39T0869	
French, Canadian (058)	39T0808	39T0870	
French, European	39T0811	39T0873	
German	39T0809	39T0871	
Greek	39T0828	39T0890	
Hungarian	39T0827	39T0889	
Hebrew	39T0823	39T0885	
Italian	39T0816	39T0878	
Japanese	39T0831	39T0893	
Korean	39T0833	39T0895	
Norwegian	39T0814	39T0876	
Polish	39T0824	39T0886	
Portuguese	39T0820	39T0882	
Russian	39T0822	39T0884	
Slovakian	39T0830	39T0892	
Slovenian	39T0829	39T0891	
Spanish, European	39T0817	39T0879	
Spanish, Latin American	39T0834	39T0896	
Swedish / Finnish	39T0813	39T0875	
Swiss	39T0819	39T0881	
Thailand	39T0835	39T0897	
Turkish	39T0825	39T0887	
US English International	39T0836	—	



## Recovery CDs

### For Windows XP Professional

Windows XP professional is preinstalled as the operating system in following models:

- 1864-16x
- 1865-17x
- 2525-15x, 18x, 1Ax, 1Gx, 1Lx, 23x, 24x, 33x, 37x, 3Bx, 3Cx, 3Dx, 3Ex, 3Fx, 43x, 45x, 4Cx, 53x, 54x, 55x, 56x, 57x, 58x, 59x, 5Ax, 5Bx, 5Cx, 5Dx, 5Ex, 63x, 64x, 65x, 68x, 69x, 6Dx, 6Ex, 6Hx, 6Kx, 6Lx, 6Nx
- 2526-18x, 3Cx, 54x
- 2527-1Dx, 1Mx, 29x, 2Ax, 44x, 55x, 5Fx, 64x, 67x, 6Fx, 6Gx, 6Lx, 6Nx
- 2528-1Dx, 55x, 5Fx, 6Nx

Language	P/N	CRU ID
Arabic	39K7561	*
Chinese, Simplified	39K7551	
Chinese, Traditional	39K7562	
Chinese, Traditional (Hong Kong S.A.R.)	39K7563	
Czech	39K7558	
Danish	39K7556	
Dutch	39K7557	
English, U.K.	39K7544	
English, U.S.	39K7543	
Finnish	39K7553	
French	39K7546	
German	39K7547	
Greek	39K7567	
Hebrew	39K7559	
Hungarian	39K7566	
Italian	39K7550	
Japanese	39K7545	
Korean	39K7564	
Norwegian	39K7554	
Polish	39K7560	
Portuguese, Brazilian	39K7549	
Russian	39K7552	
Spanish	39K7548	
Swedish	39K7555	
Turkish	39K7565	

## For Windows XP Home Edition

Windows XP Home edition is preinstalled as the operating system in following models:

- 2525-14x, 1Bx, 1Kx, 47x, 48x, 6Bx, 6Cx, 6Jx, 6Mx

Language	P/N	CRU ID
Chinese, Simplified	39K7745	*
Chinese, Traditional	39K7746	
Chinese, Traditional (Hong Kong S.A.R.)	39K7747	
English, U.S.	39K7743	
Japanese	39K7744	
Korean	39K7748	

## Miscellaneous parts

FRU	P/N	CRU ID
Screw pack: <ul style="list-style-type: none"> <li>• Screw wafer M2 x 8 Ni (54)</li> <li>• Screw MAC wafer M2 x 2.5 ZN (54)</li> <li>• Screw MACH wafer M2 x 6 ZN (54)</li> <li>• Screw M2.5 x 5 wafer B-ZN (54)</li> <li>• Screw hex nut with washer and Nylok # 4 (54)</li> <li>• Screw MACH wafer M2 x 3.5 ZN (54)</li> <li>• Screw MACH wafer M3 x 4 ZN (54)</li> <li>• Screw MACH wafer M2.5 x 3 ZN (54)</li> </ul>	13N5323	N
Base cover miscellaneous parts kit: <ul style="list-style-type: none"> <li>• Knob battery lock</li> <li>• Lens IR</li> <li>• Battery latch knob</li> <li>• Battery latch</li> <li>• Battery lock</li> <li>• SPG battery spring SWP_A</li> <li>• Spring CDROM DD</li> </ul>	13N5321	N
Rubber kit	26R9038	*
System miscellaneous parts kit: <ul style="list-style-type: none"> <li>• Assembly I/O bracket</li> <li>• Assembly holder heat sink</li> <li>• Inverter bracket</li> <li>• LCD bezel screw mylar</li> <li>• LCD panel screw mylar</li> <li>• (a) Top shielding</li> <li>• Fingerprint bracket</li> </ul> <p><b>Note:</b> Italicized letter in parentheses is references to the exploded view 120.</p>	26R8939	N

## Optional FRUs

FRU	P/N	CRU ID
256-MB DDR2-533 SDRAM SO-DIMM (PC2-4200) card	73P3841	*
1-GB DDR2-533 SDRAM SO-DIMM (PC2-4200) card	73P3845	*
Hard disk drive with tray and screws 40 GB	09N4283	*
Hard disk drive with tray and screws 40 GB	13N6847	*
Intel PRO Wireless 2915ABG Mini-PCI Adapter	93P4235	*
Intel PRO Wireless 2915ABG Mini-PCI Adapter (EMEA)	93P4237	*
Intel PRO Wireless 2915ABG Mini-PCI Adapter (Japan)	93P4239	*
Intel PRO Wireless 2915ABG Mini-PCI Adapter (LA other than Mexico; AP other than ANZ, HK)	93P4241	*
ThinkPad 11b/g Wireless LAN Mini PCI Adapter (US, Canada, Taiwan)	91P7416	*
ThinkPad 11b/g Wireless LAN Mini PCI Adapter (Others)	91P7418	*
Battery pack, Li-Ion, hybrid (8 cell) WW, Sanyo	92P1002	*
Battery pack, Li-Ion, cylindrical (4 cell), WW, Sanyo	92P1143	*
Extended battery, Li-Ion WW, Sanyo	92P1007	*
Extended battery, Li-Ion, WW	92P1151	*
Label group	31L5042	*

## AC adapters

FRU	P/N	CRU ID
2-pin (56 W, 16 V) AC adapter <b>OP</b>		
• Models-CTO, xxE, xxF, xxJ, xxP, xxS, xxU, xxY		
DELTA	02K6814	*
LITEON	02K6816	*
LITEON	92P1045	*
3-pin (56 W, 16 V) AC adapter <b>OP</b>		
• Models-CTO, xxA, xxB, xxC, xxG, xxH, xxK, xxM, xxQ, xxV		
DELTA	02K6813	*
LITEON	02K6815	*
LITEON	92P1043	*

## Common parts list

### Tools

Tool	P/N
Triconnector wrap plug	72X8546
PC test card	35G4703
Audio wrap cable	66G5180
USB parallel test cable	05K2580
Screwdriver kit	95F3598
Torque screwdriver	05K4695
5 mm socket wrench	05K4694
Screwdriver	27L8126
1/4" drive spinner handle	1650840
1/4" Sq. to 1/4" hex torx adapter	93F2838
TR7-TR-10 tamper resistant torx bits	00P6967
USB floppy disk drive tool kit	27L3452
ThinkPad Hardware Maintenance Diskette Version 1.71 or later <b>Note:</b> Download the file from the following Web site: <a href="http://www.lenovo.com/think/spm">http://www.lenovo.com/think/spm</a>	—

### Power cords (system)

A ThinkPad power cord for a specific country or region is usually available only in that country or region:

#### *For 2-pin power cords:*

Country or region	P/N	CRU ID
Argentina	36L8870	**
Japan	74P4331	
US and Canada	13H5264	

For Models-xxU, xxF, xxS, xxP, xxJ, xxE, xxY

Country or region	P/N	CRU ID
Argentina	39M5020	**
Japan	39M5040	
US and Canada	39M5016	

**For 3-pin power cords:**

Country or region	P/N	CRU ID
Australia and New Zealand	76H3514	**
China (P.R.C.)	02K0539	
Denmark	76H3520	
Europe	76H3518	
Israel	76H3532	
Italy	76H3530	
Korea	76H3535	
South Africa and India	76H3522	
Switzerland	76H3528	
U.K.	76H3524	
U.S., Canada, and Thailand	76H3516	

For Models-xxC, xxM, xxA, xxG, xxH, xxK

Country or region	P/N	CRU ID
Australia and New Zealand	39M4960	**
China (P.R.C.)	39M4996	
Denmark	39M4968	
Europe	39M4964	
Israel	39M4988	
Italy	39M4984	
Korea	39M5000	
South Africa and India	39M4972	
Switzerland	39M4980	
U.K.	39M4976	
U.S., Canada, and Thailand	39M4955	

## Telephone cable

Country or region	P/N	CRU ID
Australia	27L0467	**
Austria	27L0449	
Belgium	27L0451	
Denmark	27L0447	
Finland, Norway	27L0446	
France	27L0443	
Germany	27L0441	
Italy	27L0448	
Holland	27L0444	
Switzerland	27L0462	
Spain	27L0450	
Sweden	27L0445	
U.K., Ireland, New Zealand	27L0442	
U.S., Canada, Japan, Taiwan, APS, Latin America, Brazil	27L0465	

## Notices

Lenovo may not offer the products, services, or features discussed in this document in all countries. Consult your local Lenovo representative for information on the products and services currently available in your area. Any reference to a Lenovo product, program, or service is not intended to state or imply that only that Lenovo product, program, or service may be used. Any functionally equivalent product, program, or service that does not infringe any Lenovo intellectual property right may be used instead. However, it is the user's responsibility to evaluate and verify the operation of any other product, program, or service.

Lenovo may have patents or pending patent applications covering subject matter described in this document. The furnishing of this document does not give you any license to these patents. You can send license inquiries, in writing, to:

*Lenovo (United States), Inc.  
500 Park Offices Drive, Hwy. 54  
Research Triangle Park, NC 27709  
U.S.A.  
Attention: Lenovo Director of Licensing*

LENOVO GROUP LTD. PROVIDES THIS PUBLICATION "AS IS" WITHOUT WARRANTY OF ANY KIND, EITHER EXPRESS OR IMPLIED, INCLUDING, BUT NOT LIMITED TO, THE IMPLIED WARRANTIES OF NON-INFRINGEMENT, MERCHANTABILITY OR FITNESS FOR A PARTICULAR PURPOSE. Some jurisdictions do not allow disclaimer of express or implied warranties in certain transactions, therefore, this statement may not apply to you.

This information could include technical inaccuracies or typographical errors. Changes are periodically made to the information herein; these changes will be incorporated in new editions of the publication. Lenovo may make improvements and/or changes in the product(s) and/or the program(s) described in this publication at any time without notice.

The products described in this document are not intended for use in implantation or other life support applications where malfunction may result in injury or death to persons. The information contained in this document does not affect or change Lenovo product specifications or warranties. Nothing in this document shall operate as an express or implied license or indemnity under the intellectual property rights of Lenovo or third parties. All information contained in this document was obtained in specific environments



and is presented as an illustration. The result obtained in other operating environments may vary.

Lenovo may use or distribute any of the information you supply in any way it believes appropriate without incurring any obligation to you.

Any references in this publication to non-Lenovo Web sites are provided for convenience only and do not in any manner serve as an endorsement of those Web sites. The materials at those Web sites are not part of the materials for this Lenovo product, and use of those Web sites is at your own risk.

Any performance data contained herein was determined in a controlled environment. Therefore, the result obtained in other operating environments may vary significantly. Some measurements may have been made on development-level systems and there is no guarantee that these measurements will be the same on generally available systems. Furthermore, some measurements may have been estimated through extrapolation. Actual results may vary. Users of this document should verify the applicable data for their specific environment.

## Trademarks

The following terms are trademarks of Lenovo in the United States, other countries or both:

- Lenovo
- ThinkLight
- ThinkPad
- ThinkPad Port Replicator
- TrackPoint
- Ultrabay

The following terms are trademarks of the International Business Machines Corporation in the United States, other countries, or both:

- IBM (used under license)

Microsoft, Windows, and Windows NT are trademarks of Microsoft Corporation in the United States, other countries, or both.

Intel and Pentium are trademarks or registered trademarks of Intel Corporation or its subsidiaries in the United States and other countries.

Other company, product, or service names may be the trademarks or service marks of others.



Part Number: 39T5971

(1P) P/N: 39T5971

