

# Intel® Server Board SE7500CW2 Product Guide

---

**A Guide for Technically Qualified Assemblers of Intel® Identified  
Subassemblies/Products**

Order Number: A86513-003

**Disclaimer**

Information in this document is provided in connection with Intel® products. No license, express or implied, by estoppel or otherwise, to any intellectual property rights is granted by this document. Except as provided in Intel's Terms and Conditions of Sale for such products, Intel assumes no liability whatsoever, and Intel disclaims any express or implied warranty, relating to sale and/or use of Intel products including liability or warranties relating to fitness for a particular purpose, merchantability, or infringement of any patent, copyright or other intellectual property right. Intel products are not designed, intended or authorized for use in any medical, life saving, or life sustaining applications or for any other application in which the failure of the Intel product could create a situation where personal injury or death may occur. Intel may make changes to specifications and product descriptions at any time, without notice.

Intel, Intel Xeon, LANDesk and EtherExpress are trademarks or registered trademarks of Intel Corporation or its subsidiaries in the United States and other countries.

† Other names and brands may be claimed as the property of others.

Copyright © 2002, Intel Corporation. All Rights Reserved.

# Contents

---

## 1 Description

Server Board Features .....	7
Back Panel Connectors .....	9
Server Board Connector and Component Locations .....	10
Processor .....	11
Intel® E7500 Chipset.....	12
Super I/O .....	13
Memory .....	14
PCI I/O Subsystem .....	14
Video Controller .....	16
Network Interface Controller (NIC).....	16
ACPI .....	17
Security .....	18

## 2 Configuration Software and Utilities

Power-On Self-Test (POST) .....	21
Using BIOS Setup Utility.....	22
If You Cannot Access Setup .....	22
Starting Setup .....	22
Setup Menus .....	22
Menu Selection Bar .....	24
Main Menu.....	25
Advanced Menu.....	27
Security Menu.....	37
Power Menu .....	38
Boot Menu .....	38
System Menu.....	40
Exit Menu .....	41
Upgrading the BIOS .....	42
Preparing for the Upgrade .....	42
Upgrading the BIOS.....	43
Recovering the BIOS.....	43
Changing the BIOS Language .....	44
Hardware Monitoring .....	45

## 3 Server Board Installation

Tools and Supplies Needed.....	47
Before You Begin .....	47
Emissions Disclaimer.....	47
Safety Cautions .....	47
Safety and Regulatory Compliance .....	48
Minimum Hardware Requirements .....	49
Installation Notes.....	49

Installation Procedures .....	50
Installing the I/O Gasket and Shield .....	50
Configuring Chassis Standoffs .....	52
Installing Rubber Bumpers .....	53
Installing the Server Board .....	54
Installing Memory .....	55
Installing the Processor(s) .....	56
Installing the Processor Wind Tunnel .....	58
Installing the Optional SCSI Add-in Card .....	60
Making Connections to the Server Board .....	61
Cable Routing .....	62
Finishing Up .....	64
<b>4 Upgrading</b>	
Tools and Supplies Needed .....	65
Cautions .....	65
Memory .....	66
Processors .....	67
Adding or Replacing a Processor .....	68
Installing the Processor Wind Tunnel .....	70
Removing a Processor .....	72
Replacing the Backup Battery .....	72
<b>5 Solving Problems</b>	
Resetting the System .....	75
Initial System Startup .....	75
Checklist .....	75
Running New Application Software .....	76
Checklist .....	76
After the System Has Been Running Correctly .....	76
Checklist .....	76
More Problem Solving Procedures .....	77
Preparing the System for Diagnostic Testing .....	77
Monitoring POST .....	77
Verifying Proper Operation of Key System Lights .....	78
Confirming Loading of the Operating System .....	78
Specific Problems and Corrective Actions .....	78
Power Light Does Not Light .....	78
No Characters Appear on Screen .....	79
Characters Are Distorted or Incorrect .....	79
System Cooling Fans Do Not Rotate Properly .....	80
Diskette Drive Activity Light Does Not Light .....	80
Hard Disk Drive Activity Light Does Not Light .....	81
CD-ROM Drive Activity Light Does Not Light .....	81
Cannot Connect to a Server .....	81
Problems with Network .....	81
PCI Installation Tips .....	82
Problems with Application Software .....	82
Bootable CD-ROM Is Not Detected .....	82

<b>6 Getting Help</b> .....	83
<b>7 Technical Reference</b>	
Configuration Jumpers .....	85
Front Panel Header .....	86
<b>8 Regulatory and Integration Information</b>	
Product Regulatory Compliance .....	87
Product Safety Compliance .....	87
Product EMC Compliance.....	87
Product Regulatory Compliance Markings .....	88
Electromagnetic Compatibility Notices.....	88
FCC (USA) .....	88
INDUSTRY CANADA (ICES-003).....	89
Europe (CE Declaration of Conformity).....	89
Taiwan Declaration of Conformity .....	89
Korean RRL Compliance .....	90
Australia / New Zealand.....	90
<b>Index</b> .....	91
<b>Figures</b>	
1. Back Panel Connectors .....	9
2. Server Board Connector and Component Locations.....	10
3. Attaching the Gasket to the I/O Shield .....	50
4. Attaching the Label to the I/O Shield.....	51
5. Installing the I/O Shield.....	51
6. Configuring Chassis Standoffs.....	52
7. Installing Rubber Bumpers.....	53
8. Placing the Server Board in the Chassis.....	54
9. Attaching the Server Board.....	54
10. Installing Memory .....	55
11. Installing the Retention Brackets.....	56
12. Opening Socket Lever and Attaching Processor.....	57
13. Applying Thermal Grease .....	57
14. Attaching the Heat Sink .....	58
15. Attaching the Wind Tunnel Assembly .....	58
16. Attaching the Heat Sink Fan .....	59
17. Attaching Intake and Exhaust Assemblies .....	59
18. Making Connections to the Server Board.....	61
19. Routing IDE Cables .....	62
20. Routing the Floppy Drive Cable .....	63
21. Making Back Panel Connections .....	64
22. Installing DIMMs .....	66
23. Installing the Retention Brackets.....	68
24. Opening Socket Lever and Attaching Processor.....	69
25. Applying Thermal Grease .....	69
26. Attaching the Heat Sink .....	70
27. Attaching the Wind Tunnel Assembly .....	70

28.	Attaching the Heat Sink Fan .....	71
29.	Attaching Intake and Exhaust Assemblies .....	71
30.	Replacing the Backup Battery.....	73
31.	Configuration Jumper Location .....	85
32.	Front Panel Header Connection Location .....	86

## Tables

1.	Server Board Features .....	7
2.	Security Operation Summary.....	18
3.	Configuration Utilities.....	21
4.	Keyboard Commands.....	23
5.	On-Screen Options.....	24
6.	Menu Selection Bar .....	24
7.	Main Menu.....	25
8.	Primary/Secondary, Master/Slave Submenu .....	26
9.	Advanced Menu.....	27
10.	I/O Device Configuration Submenu.....	29
11.	On Board Device Submenu .....	31
12.	PCI Configuration Submenu .....	32
13.	Option ROM Scan Submenu .....	33
14.	Server Menu Submenu.....	33
15.	Console Redirection Submenu .....	34
16.	Event Logging Submenu .....	35
17.	Hardware Monitor Submenu .....	36
18.	Security Menu.....	37
19.	Power Menu .....	38
20.	Boot Menu .....	39
21.	System Menu.....	40
22.	Exit Menu .....	41
23.	Monitored Headers and Sensors .....	45
24.	Configuration Jumper (J106) .....	85
25.	Front Panel Header Connection Descriptions .....	86
26.	Product Certification Markings .....	88

# 1 Description

---

## Server Board Features

The Intel® Server Board SE7500CW2 offers a “flat” design, with the processors and memory subsystems residing on the board. The server board supports dual-processor operation with Intel® Xeon™ processors and the Intel® E7500 chipset. The board contains embedded devices for video, network, and IDE and provides basic monitoring hardware and interrupt control for dual processors and PC/AT†-compatible operation.

**Table 1. Server Board Features**

Feature	Description
Processor	Dual Intel Xeon processors for the Intel socket 604 that use the Flip Chip Pin Grid Array (FC-PGA) package
Chipset	Intel E7500 chipset: <ul style="list-style-type: none"><li>• Supports 400 MHz Front Side Bus (FSB)</li><li>• Memory Controller Hub (MCH) (North Bridge)</li><li>• I/O Controller Hub 3 (ICH3) (South Bridge)</li><li>• P64H2 64-bit I/O hub</li></ul>
Memory	<ul style="list-style-type: none"><li>• DDR 200/266 compliant ECC DIMMs providing up to 4 GB of memory</li><li>• DIMM Sockets: Four 72-bit, 184-pin, gold contact</li><li>• Supported DIMM sizes: 128, 256, 512 MB, and 1 GB</li></ul>
Video	<ul style="list-style-type: none"><li>• Integrated onboard ATI Rage† XL 64-bit SVGA video controller</li><li>• 8 MB SDRAM video memory</li><li>• SVGA video port</li></ul>
PCI bus	Five PCI expansion slots for add-in boards: <ul style="list-style-type: none"><li>• One 64-bit, PCI-X 133 MHz expansion slot</li><li>• Two 64-bit, PCI-X 100 MHz expansion slots</li><li>• Two 32-bit, 33 MHz, PCI expansion slots</li></ul>
Hard Disk Drive (HDD)	Two IDE connectors supporting up to four ATA-100 compatible devices: <ul style="list-style-type: none"><li>• Two ATA 100 connectors controlled by the ICH3</li><li>• Two ATA 100 connectors controlled by Promise† 20267 ATA RAID controller</li></ul>
Network	Integrated on-board Intel® EtherExpress™ PRO100+ 10/100 megabit PCI Ethernet controller (Intel® 82550PM) with two RJ-45 Ethernet ports

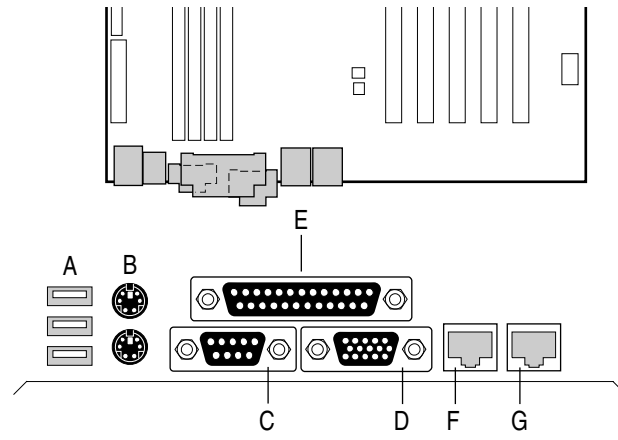
continued

**Table 1. Server Board Features** (continued)

<b>Feature</b>	<b>Description</b>
System I/O	Winbond <sup>†</sup> W83627HF Super I/O Controller (Low Pin Count [LPC] bus) that provides the following: <ul style="list-style-type: none"><li>• Hardware monitoring</li><li>• PS/2<sup>†</sup>-compatible keyboard and mouse ports, 6-pin DIN</li><li>• Advanced parallel port, supporting Enhanced Parallel Port (EPP) level 1.7 and 1.9, Extended Capabilities Port (ECP), compatible 25-pin</li><li>• One serial port, 9-pin</li><li>• Two 10/100 BASE-TX, RJ-45 Ethernet ports</li><li>• Three Universal Serial Bus (USB) ports</li></ul>
Power	<ul style="list-style-type: none"><li>• SSI-EEB 3.0 compliant</li><li>• Power/Sleep Switch with LED Indicator</li><li>• Wake on LAN<sup>†</sup> (WOL)</li><li>• Wake on Ring (WOR)</li></ul>
Security	<ul style="list-style-type: none"><li>• BIOS password</li><li>• Keyboard password protection</li></ul>
Form Factor	<ul style="list-style-type: none"><li>• SSI-EEB 3.0-compliant form factor</li></ul>



# Back Panel Connectors

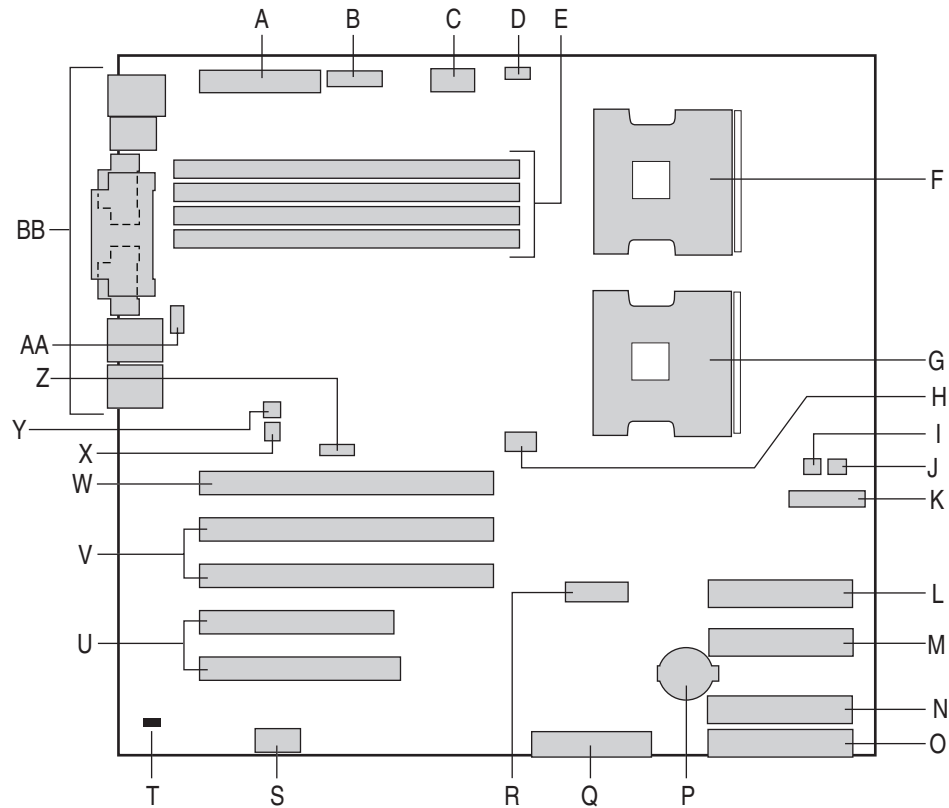


OM14419

- A. USB 1, 2, 3
- B. Keyboard/mouse
- C. Serial port 1
- D. Video
- E. Parallel
- F. NIC1
- G. NIC2

**Figure 1. Back Panel Connectors**

# Server Board Connector and Component Locations



OM14279A

- |   |                                    |
|---|------------------------------------|
| A. Main power connector                 | O. Primary RAID IDE (ATA 100 RAID) |
| B. Auxiliary signal                     | P. Battery                         |
| C. CPU power                            | Q. Floppy drive connector          |
| D. CPU fan 1                            | R. Front panel USB                 |
| E. DIMMs                                | S. Serial port 2                   |
| F. Primary processor connector (CPU1)   | T. Chassis Intrusion               |
| G. Secondary processor connector (CPU2) | U. PCI 32/33                       |
| H. CPU fan 2                            | V. PCI-X 64/100                    |
| I. System fan 2 (front chassis fan)     | W. PCI-X 64/133                    |
| J. System fan 1 (front chassis fan)     | X. System fan 4 (rear chassis fan) |
| K. Front panel                          | Y. System fan 3 (rear chassis fan) |
| L. Secondary IDE (ATA 100)              | Z. I2C connector                   |
| M. Primary IDE (ATA 100)                | AA. Jumper block                   |
| N. Secondary RAID IDE (ATA 100 RAID)    | BB. Back panel connectors          |

**Figure 2. Server Board Connector and Component Locations**

 **NOTE**

DIMMs 1A and 1B are closest to the side of the board and DIMMs 2A and 2B are in the middle of the board.

## Processor

The Server Board SE7500CW2 accommodates two Intel Xeon processors with 512 KB cache. The SKT604 is a 604-pin zero-insertion force (ZIF) socket. The processor(s) interface with the system bus at 400 MHz.

For a complete list of supported processors, see:

<http://support.intel.com/support/motherboards/server/SE7500CW2>

## Dual Processor Operation

The Intel Xeon interface is dual processor (DP) ready. Each processor contains a local Intel® Advanced Programmable Interrupt Controller (APIC) section for interrupt handling. When two processors are installed, both processors must be of identical revision, core voltage, and bus/core speeds.

## Boxed Processor Fan Heat sink

A processor wind tunnel is supplied with the boxed Intel Xeon processor. After the processor and heat sink are installed, install and connect the processor wind tunnel. For proper processor cooling, the fan inlet air temperature should be below 45 °C.



### CAUTION

Clearance is required at each end of the fan heat sink to ensure unimpeded airflow for proper cooling. Restricting the airflow through the processor heat sink can cause overheating and subsequent failure of the processor.

## Intel® E7500 Chipset

The Server Board SE7500CW2 includes an Intel E7500 chipset (MCH, ICH3, P64H2) that provides an integrated I/O bridge and memory controller and a flexible I/O subsystem core (PCI).

### MCH

The MCH North Bridge in the E7500 chipset integrates three main functions:

- An integrated high-performance main memory subsystem
- An HI 2.0 bus interface that provides a high-performance data flow path between the host bus and the I/O subsystem
- A HI 1.5 bus that provides an interface to the ICH3-S (South Bridge)

Other features provided by the MCH include the following:

- Full support of ECC on the memory bus
- Full support of chipkill on the memory interface with x4 DIMMs
- Twelve deep in-order queue
- Full support of registered DDR-200 or DDR-266 ECC DIMMs
- Memory scrubbing

### ICH3

The primary role of the ICH3 is to provide the gateway to all PC-compatible I/O devices and features. The Server Board SE7500CW2 uses the following ICH3 features:

- 32-bit/33 MHz PCI bus interface
- LPC bus interface
- IDE interface, with Ultra DMA 100 capability
- USB interface
- PC-compatible timer/counter and DMA controllers
- APIC and 8259 interrupt controller
- Power management
- System real-time clock (RTC)
- General purpose I/O

## Super I/O

The Server Board SE7500CW2 uses the Winbond W83627HF Super I/O Plug and Play Compatible with ACPI-Compliant Controller/Extender. This device provides the system with the following:

- Two serial ports
- One parallel port
- Floppy disk controller
- PS/2-compatible keyboard and mouse controller
- Two ATA 100 IDE channels
- HW monitor controller

The Server Board SE7500CW2 provides the connector interface for the floppy disk drive, dual serial ports, parallel port, PS/2 mouse, and PS/2 keyboard.

## Serial Ports

The Server Board SE7500CW2 provides one DB9 connector on the back panel for serial port 1. Serial port 1 is compatible with 16550A and 16450 modes. The port can be set to one of four different COM-x ports, and each can be enabled separately. When enabled, each port can be programmed to generate edge- or level-sensitive interrupts. When disabled, serial port interrupts are available to add-in cards. An additional serial header is available on the board for an optional serial port 2.

## Parallel Port

The Server Board SE7500CW2 provides a 25-pin parallel port back panel connector. The Super I/O provides an IEEE 1284-compliant 25-pin bidirectional parallel port. BIOS programming of the Super I/O registers enables the parallel port and determines the port address and interrupt. When disabled, the interrupt is available to add-in cards.

## Floppy Port

The floppy disk connector on the server board provides the interface to the floppy disk drive from the floppy disk controller.

## Keyboard and Mouse Connectors

The separate keyboard and mouse connectors, found on the back panel of the server board, are PS/2-compatible. The keyboard and mouse connectors are interchangeable.

## Memory

The Server Board SE7500CW2 contains four 184-pin DIMM sockets and provides up to 4 GB of memory. Memory is partitioned as two banks of DDR DIMMs, each of which provides 144 bits of two-way interleaved memory.

The Server Board SE7500CW2 supports up to four ECC DDR DIMMs that are compliant with the JEDEC DDR 200/266 specification. A wide range of DIMM sizes are supported, including the following:

- 128 MB
- 256 MB
- 512 MB
- 1 GB

The minimum supported memory configuration is 256 MB, using two 128 MB DIMMs. The maximum configurable memory size is 4 GB using four 1 GB DIMMs.

### NOTE

The Server Board SE7500CW2 has been designed to support up to 8 GB of memory using 2 GB DIMMs. To date, Intel has not been able to complete validation testing of 2 GB DIMMs and these parts are not supported. Check the following Web site for updates on supported memory:

*[http://www.intel.com/support/motherboards/server/SE7500CW2/tested\\_memory.htm](http://www.intel.com/support/motherboards/server/SE7500CW2/tested_memory.htm)*

DIMMs must be installed in pairs and must be populated starting with DIMM 1A and 1B (see Figure 22 on page 66 for the locations of the DIMM connectors). Although the Server Board SE7500CW2 architecture allows the user to mix various sizes of DIMMs between banks, DIMMs must be identical within the banks.

## PCI I/O Subsystem

The Server Board SE7500CW2 provides three PCI bus segments in the form of one PCI-X 133 MHz, two PCI-X 100 MHz, and two 32-bit /33 MHz slots over the three bus segments.

## 64-bit / 133 MHz PCI-X Capable Subsystem

The 64-bit/133 MHz PCI segment includes one 3.3 V keyed PCI expansion slot that can support PCI-X add-in cards up to 133 MHz and are backward compatible to 64 bit/66 MHz, 64 bit/33 MHz, and 32 bit/33 MHz PCI cards.

64-bit/133 MHz PCI features include:

- Bus speed up to 133 MHz
- 3.3 V signaling environment
- Burst transfers up to a peak of 1000 megabytes per second (MB/s)
- 8-, 16-, 32-, 64-, or 100-bit data transfers
- Plug and Play ready
- Parity enabled

### **NOTE**

The speed of the bus will run at the speed of the adapter installed.

## 64-bit / 100 MHz PCI-X Capable Subsystem

The 64-bit/100 MHz PCI segment includes two 3.3 V keyed PCI expansion slots that can support add-in cards up to 100 MHz and are backward compatible to 64-bit/66 MHz, 64 bit/33 MHz, and 32 bit/33 MHz PCI cards.

64-bit/100 MHz PCI features include:

- Bus speed up to 100 MHz
- 3.3 V signaling environment
- Burst transfers up to a peak of 800 Megabytes per second (MB/s)
- 8-, 16-, 32-, or 64-bit data transfers
- Plug and Play ready
- Parity enabled

### **NOTE**

If you install a slower card into one of the PCI 64/100 connectors, the bus speed for both connectors will be lowered to the speed of the slowest adapter.

## 32-bit/33 MHz PCI Subsystem

The 32-bit/33 MHz PCI segment includes the following embedded devices and connectors:

- Two 5 V keyed PCI expansion slots
- Integrated Intel EtherExpress PRO100+ 10/100 megabit PCI Ethernet controller (Intel 82550PM)
- Integrated ATI Rage XL video controller with 8 MB of on-board SDRAM
- Integrated Promise PDC20267 ATA-100 RAID controller

32-bit/33 MHz PCI features include:

- Bus speed up to 33 MHz
- 5 V signaling environment
- Burst transfers up to a peak of 132 MB/s
- 8-, 16-, or 32-bit data transfers
- Plug and Play ready
- Parity enabled

## Video Controller

The Server Board SE7500CW2 includes an ATI Rage XL video controller, 8 MB video SDRAM, and support circuitry for an embedded SVGA video subsystem.

The SVGA subsystem supports a variety of modes: up to 1600 x 1200 resolution for CRT displays and up to 1024 x 768 resolution for TFT displays, and up to 16.7 million colors. The Server Board SE7500CW2 provides a standard 15-pin VGA connector.

## Network Interface Controller (NIC)

The Server Board SE7500CW2 includes two 10Base-T/100Base-TX network controllers based on the Intel 82550PM Fast Ethernet PCI Bus Controller. As a PCI bus master, the 82550PM controller can burst data at up to 132 MB/s. Status LEDs are included on the external NIC connector.

You can disable the embedded NIC in BIOS Setup Utility. When disabled it is not visible to the operating system.

## Supported Network Features

The Server Board SE7500CW2 supports the following features of the 82550PM controller:

- Glueless 32-bit PCI Bus Master Interface (Direct Drive of Bus), compatible with PCI Bus Specification, revision 2.1 / 2.2
- Chained memory structure, with improved dynamic transmit chaining for enhanced performance
- Programmable transmit threshold for improved bus utilization
- Early receive interrupt for concurrent processing of receive data
- On-chip counters for network management
- Autodetect and autoswitching for 10 or 100 MB/s network speeds
- Support for both 10 MB/s and 100 MB/s networks, full or half duplex-capable, with back-to-back transmit at 100 MB/s
- Integrated physical interface to TX magnetics
- The magnetics component terminates the 100Base-TX connector interface. A flash device stores the network ID
- Support for Wake on LAN (WOL)



## ACPI

The Advance Configuration and Power Interface (ACPI)–aware operating system can place the system into a state where the hard drives spin-down, the system fans stop, and all processing is halted. In this state the power supply is still on and the processors still dissipate some power, so the power supply fan and processor fans are still running.

### **NOTE**

ACPI requires an operating system that supports this feature.

The Server Board SE7500CW2 supports sleep states S0, S4, and S5. When the server board is operating in ACPI mode, the operating system retains control of the system and the operating system policy determines the entry methods and wake-up sources for each sleep state. Sleep entry and wake-up event capabilities are provided by the hardware but are enabled by the operating system. Following is a summary of the supported sleep states:

- S0: Normal running state.
- S4: Hibernate or Save to Disk. The memory and machine state are saved to disk. Pressing the power button or another wake-up event restores the system state from the disk and resumes normal operation. This state assumes that no hardware changes were made to the system while it was off.
- S5: Soft off. Only the RTC section of the chipset is running in this state.

### **CAUTION**

The system is off only when the AC power is disconnected.

## AC Link Mode

The AC link mode allows the system to monitor its AC input power so that if AC input power is lost and then restored, the system returns to one of the following preselected settings:

- Last State (Factory Default Setting)
- Stay Off

The AC link mode settings can be changed by running the BIOS Setup Utility.

## Wake on LAN

Wake on LAN allows system power to be activated by way of a network or modem. If the system power is set to off, it can be turned on remotely by sending a specific packet from the main computer to the remote system.

## Security

The Server Board SE7500CW2 BIOS provides the ability to secure itself. Table 2 summarizes the security options available in the BIOS.

**Table 2. Security Operation Summary**

Mode	Entry Method/ Event	Entry Criteria	Behavior	Exit Criteria	After Exit
User Password on boot (AT style)	Power On/Reset	User password set and password on boot enabled	System halts for User Password before booting. The system is not in secure mode. Except for the password, no mouse or keyboard input is accepted.	User password followed by [Enter]	Power and Reset switches are enabled. Keyboard and mouse inputs are accepted. The system boots normally. Boot sequence is determined by setup options.

### Password Protection

The BIOS uses passwords to prevent unauthorized tampering with the system. Once secure mode is entered, access to the system is allowed only after the correct password(s) has been entered. Both user and supervisor passwords are supported by the BIOS. The user password cannot be set unless a supervisor password has been set.

When set, a password can be cleared by changing it to a null string. Clearing the supervisor password also clears the user password. Entering the user password permits modification of the time, date, language, user password, and password on boot setup fields; other setup fields can be modified only if the supervisor password is entered. The user password also allows the system to boot, if secure boot is enabled.

If a wrong password is entered three times in a row, the BIOS stops validating passwords and the BIOS security engine returns a failure for any further password validation attempt. If the user enters three wrong passwords in a row during the boot sequence (i.e., when entering Setup), the system is placed into a halt state. This feature makes it difficult to break the password by the “trial and error” method.

## Using Passwords

If only the supervisor password is set, you:

- Must enter the supervisor password to enter BIOS Setup.
- Must enter the supervisor password to boot the server if Password on Boot is enabled in the BIOS Setup.
- Must enter the supervisor password to exit secure mode.

If both passwords are set, you:

- May enter the user password to enter BIOS Setup. However, you will not be able to change many of the options.
- Must enter the supervisor password if you want to enter BIOS Setup and have access to all of the options.
- May enter either password to boot the server if Password on Boot is enabled in the BIOS Setup.
- May enter either password to exit secure mode.

## Password Clear Jumper

If the user or supervisor password(s) is(are) lost or forgotten, moving the password clear jumper into the “clear” position clears both passwords. The password clear jumper must be restored to its original position before a new password(s) can be set. The password clear jumper is located on jumper block J106 pins [3-4] on the Server Board SE7500CW2.



## 2 Configuration Software and Utilities

---

This chapter describes the Power-On Self-Test (POST) and server configuration utilities. Table 3 below briefly describes the utilities.

**Table 3. Configuration Utilities**

Utility	Description and brief procedure	Page
BIOS Setup	If the system does not have a diskette drive or the drive is disabled or misconfigured, use BIOS Setup to enable it. Or, you can move the CMOS jumper on the server board from the default setting (Protect CMOS memory) to the Clear setting; this position will allow most server configurations to boot. Then use the recovery disk to recover.	22
BIOS Upgrade Utility	Use to upgrade the BIOS.	42

### Power-On Self-Test (POST)

Each time you turn on the system, POST starts running. POST checks the server board, processor, memory, keyboard, and most installed peripheral devices. During the memory test, POST displays the amount of memory that it is able to access and test. The length of time needed to test memory depends on the amount of memory installed. POST is stored in flash memory.

1. Turn on your video monitor and server. After a few seconds POST begins to run.
2. After the memory test, these screen prompts and messages appear:  

```
Press <F2> key if you want to run SETUP
```
3. If you do not press <F2> and do NOT have a device with an operating system loaded, the above message remains for a few seconds while the boot process continues, and the system beeps once. Then this message appears:  

```
Operating system not found
```
4. Press <Esc> during POST to pop up a boot menu when POST finishes. From this menu you can choose the boot device or enter BIOS Setup.

What appears on the screen after this depends on whether you have an operating system loaded and if so, which one.

If the system halts before POST completes running, it emits a beep code indicating a fatal system error that requires immediate attention. If POST can display a message on the video display screen, it causes the speaker to beep twice as the message appears.

Note the screen display and write down the beep code you hear; this information is useful for your service representative. For a listing of common beep codes and error messages that POST can generate, see the “Solving Problems” chapter in this manual.

## Using BIOS Setup Utility

This section describes the BIOS Setup Utility options. Use BIOS Setup to change the server configuration defaults. You can run BIOS Setup with or without an operating system being present.

### If You Cannot Access Setup

If the diskette drive is misconfigured so that you cannot access it to run a utility from a diskette, you may need to clear CMOS memory. You will need to open the server, change a jumper setting, use BIOS Setup Utility to check and set diskette drive options, and change the jumper back.

### Starting Setup

You can enter and start BIOS Setup under several conditions:

- When you turn on the server, after POST completes the memory test
- When you have moved the CMOS jumper on the server board to the “Clear CMOS” position (enabled)

In the two conditions listed above, after rebooting, you will see this prompt:

```
Press <F2> to enter SETUP
```

In a third condition, when CMOS/NVRAM has been corrupted, you will see other prompts but not the <F2> prompt:

```
Warning: CMOS checksum invalid  
Warning: CMOS time and date not set
```

In this condition, the BIOS will load default values for CMOS and attempt to boot.

### Setup Menus

Each BIOS Setup menu page contains a number of features. Except those used for information purposes, each feature is associated with a value field that contains user-selectable parameters. Parameters may be changed depending upon the security option chosen. If a value is not changeable due to insufficient security privileges (or other reasons), the feature’s value field becomes inaccessible.

The bottom portion of the BIOS Setup screen provides a list of commands that are used for navigating the Setup utility. Table 4 describes the keyboard commands you can use in the BIOS Setup menus.

**Table 4. Keyboard Commands**

Press	Description
<F1>	Help - Pressing F1 on any menu invokes the general Help window.
← →	The left and right arrow keys are used to move between the major menu pages. The keys have no affect if a submenu or pick list is displayed.
↑	Select Item up - The up arrow is used to select the previous value in a menu item's option list, or a value field pick list. Pressing the Enter key activates the selected item.
↓	Select Item down - The down arrow is used to select the next value in a menu item's option list, or a value field pick list. Pressing the Enter key activates the selected item.
F5/-	Change Value - The minus key or the F5 function key is used to change the value of the current item to the previous value. This key scrolls through the values in the associated pick list without displaying the full list.
F6/+	Change Value - The plus key or the F6 function key is used to change the value of the current menu item to the next value. This key scrolls through the values in the associated pick list without displaying the full list. On 106-key Japanese keyboards, the plus key has a different scan code than the plus key on the other keyboard, but it has the same effect.
<Enter>	Execute Command - The Enter key is used to activate submenus when the selected feature is a submenu, or to display a pick list if a selected feature has a value field, or to select a sub-field for multi-valued features like time and date. If a pick list is displayed, the Enter key will undo the pick list, and allow another selection in the parent menu.
<Esc>	Exit - The ESC key provides a mechanism for backing out of any field. This key will undo the pressing of the Enter key. When the ESC key is pressed while editing any field or selecting features of a menu, the parent menu is re-entered. When the ESC key is pressed in any submenu, the parent menu is re-entered. When the ESC key is pressed in any major menu, the exit confirmation window is displayed and the user is asked whether changes can be discarded.
<F9>	Setup Defaults - Pressing F9 causes the following to appear: <div style="border: 1px solid black; padding: 5px; margin: 10px auto; width: fit-content;"> <p style="text-align: center;">Setup Confirmation</p> <hr/> <p style="text-align: center;">Load default configuration now?</p> <p style="text-align: center;">[Yes] [No]</p> </div> <p>If "Yes" is selected and the Enter key is pressed, all Setup fields are set to their default values. If "No" is selected and the Enter key is pressed, or if the ESC key is pressed, the user is returned to where they were before F9 was pressed without affecting any existing field values.</p>
<F10>	Save and Exit - Pressing F10 causes the following message to appear: <div style="border: 1px solid black; padding: 5px; margin: 10px auto; width: fit-content;"> <p style="text-align: center;">Setup Confirmation</p> <hr/> <p style="text-align: center;">Save Configuration changes and exit now?</p> <p style="text-align: center;">[Yes] [NO]</p> </div> <p>If "Yes" is selected and the Enter key is pressed, all changes are saved and Setup is exited. If "No" is selected and the Enter key is pressed, or the ESC key is pressed, the user is returned to where they were before F10 was pressed without affecting any existing values.</p>

Table 5 describes the on-screen options you will see in BIOS Setup and what they mean.

**Table 5. On-Screen Options**

<b>When you see this:</b>	<b>What it means:</b>
On screen, an option is shown but you cannot select it or move to that field.	You cannot change or configure the option in that menu screen. Either the option is auto-configured or auto-detected, or you must use a different Setup screen.
On screen, the phrase <i>Press Enter</i> appears next to the option.	Press <Enter> to display a submenu that is either a separate full screen menu or a popup menu with one or more choices.

The following sections describe the menus and options available in BIOS Setup. Default settings are indicated in bold.

## Menu Selection Bar

The Menu Selection Bar is located at the top of the screen and displays the major menu selections available to the user. The menu bar is shown below.

Main	Advanced	Security	Power	Boot	System	Exit
------	----------	----------	-------	------	--------	------

Table 6 lists the menus available in BIOS Setup.

**Table 6. Menu Selection Bar**

<b>Main</b>	<b>Advanced</b>	<b>Security</b>	<b>Power</b>	<b>Boot</b>	<b>System</b>	<b>Exit</b>
Allocates resources for hardware components	Configures advanced features available through the chipset	Sets and clears passwords and security features	Allows system to disable ACPI reboot and disable power button	Selects boot options and power supply controls	Information on vendor, processor, memory, peripherals, and BIOS	Saves or discards changes to Setup program options



## Main Menu

To access this menu, select Main on the menu bar at the top of the screen.

<b>Main</b>	Advanced	Security	Power	Boot	System	Exit
Primary Master						
Primary Slave						
Secondary Master						
Secondary Slave						

Table 7 lists the options available on the Main menu. This menu allocates resources for hardware components.

**Table 7. Main Menu**

Feature	Choices	Description
System Time	HH:MM:SS	Sets the system time (hour, minutes, and seconds, on a 24-hour clock).
System Date	MM/DD/YYYY	Sets the system date (month, day, year).
Legacy Diskette A	<ul style="list-style-type: none"> <li>• Not installed</li> <li>• <b>1.44 MB, 3 ½"</b> (default)</li> <li>• 2.88 MB, 3 ½"</li> </ul>	Selects the diskette type. Japanese media format. To support this type of media format requires a 3.5-inch, 3-mode diskette drive.
Primary Master	Select to display submenu	Displays IDE device selection.
Primary Slave	Select to display submenu	Displays IDE device selection.
Secondary Master	Select to display submenu	Displays IDE device selection.
Secondary Slave	Select to display submenu	Displays IDE device selection.

## Primary/Secondary, Master/Slave Submenus

To access this submenu, select Main on the menu bar at the top of the screen and then the master or slave to be configured.

<b>Main</b>	Advanced	Security	Power	Boot	System	Exit
<b>Primary Master</b>						
<b>Primary Slave</b>						
<b>Secondary Master</b>						
<b>Secondary Slave</b>						

There are four IDE submenus: primary master, primary slave, secondary master, and secondary slave. Table 8 shows the format of the IDE submenus. For brevity, only one example is shown.

**Table 8. Primary/Secondary, Master/Slave Submenu**

Feature	Choices	Description
Type	No options	Automatically detects the type of IDE device installed.
Multi-Sector Transfers	No options	Specifies the number of sectors that are transferred per block during multiple sector transfers. This option is disabled by default.
LBA Mode Control	No options	Enables Large Block Addressing (LBA) instead of cylinder, head, sector addressing. This option is disabled by default.
32 Bit I/O	<ul style="list-style-type: none"> <li>• <b>Disabled (default)</b></li> <li>• Enabled</li> </ul>	Enables 32-bit IDE data transfers.
Transfer Mode	No options	Selects the method of moving data to and from the hard drive. Automatically set to <i>Standard</i> , which selects the optimum transfer mode.
Ultra DMA Mode	<ul style="list-style-type: none"> <li>• Disabled</li> <li>• <b>Enabled (default)</b></li> </ul>	Enables Ultra DMA mode.

## Advanced Menu

To access this menu, select Advanced on the menu bar at the top of the screen.

Main	<b>Advanced</b>	Security	Power	Boot	System	Exit
	I/O Device Configuration					
	On Board Device					
	PCI Configuration					
	Server Menu					
	Console Redirection					
	Event Logging					
	Hardware Monitor					

Table 9 list the selections available on the Advanced menu. This menu configures advanced features available through the chipset.

**Table 9. Advanced Menu**

Feature	Choices	Description
I/O Device Configuration	Select to display submenu	Configures the I/O ports.
On Board Device	Select to display submenu	Configures the onboard RAID, network, and USB controllers.
PCI Configuration	Select to display submenu	Configures PCI or RAID devices.
Server Menu	Select to display submenu	Sets options for server features.
Console Redirection	Select to display submenu	Provides additional options to configure the console.
Event Logging	Select to display submenu	Displays the event logs.
Hardware Monitor	Select to display submenu	Displays voltages, temperatures, and fan speeds for the system.
Installed O/S	<ul style="list-style-type: none"> <li>• <b>Win2000/.NET (default)</b></li> <li>• NT4</li> <li>• Other</li> </ul>	<p>Specifies the operating system installed on your system that you will use most often. An incorrect setting can cause some operating systems to behave erratically.</p> <p>Note: If you select <i>NT4</i>, an additional submenu item, <i>NT4 Installation Workaround</i>, will appear. It is disabled by default. To install Windows NT<sup>†</sup> 4.0, you need to change the <i>NT4 Installation Workaround</i> option to <i>Enabled</i>. Disable it to install pertinent service packs.</p>

continued

**Table 9. Advanced Menu** (continued)

Feature	Choices	Description
Boot-time Diagnostic Screen	<ul style="list-style-type: none"> <li>Enabled</li> <li><b>Disabled (default)</b></li> </ul>	<p>Enables or disables the boot-time diagnostic screen.</p> <p><i>Disabled</i> will display the splash screen over the diagnostic screen. This splash screen can be changed to show an OEM-based logo.</p>
Reset Configuration Data	<ul style="list-style-type: none"> <li><b>No (default)</b></li> <li>Yes</li> </ul>	<p>Specifies if the extended server configuration data will be reset during the next boot.</p> <p><i>Yes</i> clears the extended server configuration data during the next boot. The system automatically resets this field to <i>No</i> during the next boot.</p>
Large Disk Access Mode	<ul style="list-style-type: none"> <li>Other</li> <li><b>DOS (default)</b></li> </ul>	<p>UNIX<sup>†</sup>, NetWare<sup>†</sup>, and other operating systems require this option be set to <i>Other</i>. If you install an operating system and the hard drive fails to install, change this setting and try again. Different operating systems require different representations of drive geometries.</p>
PS/2 Mouse	<ul style="list-style-type: none"> <li>Disabled</li> <li>Enabled</li> <li><b>Auto Detect (default)</b></li> </ul>	<p>Configures the PS/2 mouse.</p> <p><i>Disabled</i> prevents any installed PS/2 mouse from functioning but frees up IRQ 12.</p> <p><i>Enabled</i> forces the PS/2 mouse port to be enabled even if a mouse is not present.</p> <p><i>Auto Detect</i> will enable the PS/2 mouse only if one is present.</p>
Summary Screen	<ul style="list-style-type: none"> <li>Disabled</li> <li><b>Enabled (default)</b></li> </ul>	<p>Enables or disables the boot-time hardware/BIOS summary screen.</p>
Legacy USB Support	<ul style="list-style-type: none"> <li>Disabled</li> <li><b>Enabled (default)</b></li> </ul>	<p>Enables support for legacy USB. It may be necessary to set this option to <i>Disable</i> to install NetWare 6.0 SP1.</p>
PXE Support	<ul style="list-style-type: none"> <li><b>Disabled (default)</b></li> <li>NIC2</li> <li>NIC1</li> </ul>	<p>Enables support for onboard PXE.</p>
Hyper-Threading	<ul style="list-style-type: none"> <li>Disabled</li> <li><b>Enabled (default)</b></li> </ul>	<p>Allows Intel Xeon processors to run in hyperthreading mode. Enabling this setting will improve throughput significantly on certain applications.</p>

## I/O Device Configuration Submenu

To access this submenu, select **Advanced** on the menu bar at the top of the screen and then **I/O Device Configuration**.

Main	<b>Advanced</b>	Security	Power	Boot	System	Exit
	<b>I/O Device Configuration</b>					
	On Board Device					
	PCI Configuration					
	Server Menu					
	Console Redirection					
	Event Logging					
	Hardware Monitor					

Table 10 lists the options available through the I/O Device Configuration submenu. This submenu configures the I/O ports on the board.

**Table 10. I/O Device Configuration Submenu**

Feature	Choices	Description
Serial port A	<ul style="list-style-type: none"> <li>Disabled</li> <li><b>Enabled (default)</b></li> </ul>	Enables or disables serial port A. Two devices cannot share the same IRQ. Choosing <i>Disabled</i> makes serial port A unusable.
Base I/O Address (This feature is present only when Serial Port A is set to <i>Enabled</i> )	<ul style="list-style-type: none"> <li><b>3F8 (default)</b></li> <li>2F8</li> <li>3E8</li> <li>2E8</li> </ul>	Sets the base I/O address for serial port A.
Interrupt (This feature is present only when Serial Port A is set to <i>Enabled</i> )	<ul style="list-style-type: none"> <li>IRQ3</li> <li><b>IRQ4 (default)</b></li> </ul>	Sets the interrupt for serial port A.
Serial port B	<ul style="list-style-type: none"> <li>Disabled</li> <li><b>Enabled (default)</b></li> </ul>	Enables or disables onboard serial port B. Two devices cannot share the same IRQ. Choosing <i>Disabled</i> makes serial port B unusable.
Base I/O Address (This feature is present only when Serial Port B is set to <i>Enabled</i> )	<ul style="list-style-type: none"> <li>3F8</li> <li><b>2F8 (default)</b></li> <li>3E8</li> <li>2E8</li> </ul>	Sets the base I/O address for serial port B.
Interrupt (This feature is present only when Serial Port B is set to <i>Enabled</i> )	<ul style="list-style-type: none"> <li><b>IRQ3 (default)</b></li> <li>IRQ4</li> </ul>	Sets the interrupt for serial port B.
Parallel port	<ul style="list-style-type: none"> <li>Disabled</li> <li><b>Enabled (default)</b></li> </ul>	Enables or disables the onboard parallel port. Two devices cannot share the same IRQ. Also, choosing <i>Disabled</i> makes the parallel port unusable.

continued

**Table 10. I/O Device Configuration Submenu** (continued)

<b>Feature</b>	<b>Choices</b>	<b>Description</b>
Mode (This feature is present only when Parallel Port is set to <i>Enabled</i> )	<ul style="list-style-type: none"> <li>• Output only</li> <li>• Bi-directional</li> <li>• EPP</li> <li>• <b>ECP (default)</b></li> </ul>	<p>Sets the mode for the parallel port.</p> <p><i>Output only</i> is the standard printer connection mode.</p> <p><i>Bi-directional</i> is the standard bidirectional mode.</p> <p><i>EPP</i> is Enhanced Parallel Port mode, a high-speed bidirectional mode. Selection based on what EPP version the printer supports. Only choose a mode that the parallel port device (such as a printer) supports. Check the parallel port device documentation for this information. If this information cannot be located, use the default setting.</p> <p><i>ECP</i> is Extended Capabilities Port mode, a high-speed bidirectional mode.</p>
Base I/O Address (This feature is present only when Parallel Port is set to <i>Enabled</i> )	<ul style="list-style-type: none"> <li>• <b>378 (default)</b></li> <li>• 278</li> <li>• 3BC</li> </ul>	Sets the base I/O address for the parallel port.
Interrupt (This feature is present only when Parallel Port is set to <i>Enabled</i> )	<ul style="list-style-type: none"> <li>• IRQ5</li> <li>• <b>IRQ7 (default)</b></li> </ul>	Sets the interrupt for the parallel port.
DMA channel (This feature is present only when Parallel Port is set to <i>Enabled</i> )	<ul style="list-style-type: none"> <li>• DMA 1</li> <li>• <b>DMA 3 (default)</b></li> </ul>	Sets the DMA channel for the parallel port.
Floppy disk controller	<ul style="list-style-type: none"> <li>• Disabled</li> <li>• <b>Enabled (default)</b></li> </ul>	Enables or disables the onboard diskette controller.

## On Board Device Submenu

To access this submenu, select **Advanced** on the menu bar at the top of the screen and then **On Board Device**.

Main	<b>Advanced</b>	Security	Power	Boot	System	Exit
	I/O Device Configuration					
	<b>On Board Device</b>					
	PCI Configuration					
	Server Menu					
	Console Redirection					
	Event Logging					
	Hardware Monitor					

Table 11 lists the options available through the On Board Device submenu. This submenu configures the RAID, network, and USB controllers on the board.

**Table 11. On Board Device Submenu**

Feature	Choices	Description
Onboard RAID	<ul style="list-style-type: none"> <li>• Disabled</li> <li>• <b>Enabled (default)</b></li> </ul>	Enables the onboard PCI Promise PDC20267 controller.
Onboard NIC 1	<ul style="list-style-type: none"> <li>• Disabled</li> <li>• <b>Enabled (default)</b></li> </ul>	Enables the onboard PCI Intel 82550PM Controller (Device 5).
Onboard NIC 2	<ul style="list-style-type: none"> <li>• Disabled</li> <li>• <b>Enabled (default)</b></li> </ul>	Enables the onboard PCI Intel 82550PM Controller (Device 4).
Onboard USB	<ul style="list-style-type: none"> <li>• Disabled</li> <li>• <b>Enabled (default)</b></li> </ul>	Enables the ICH3 USB controllers.

## PCI Configuration Submenu

To access this submenu, select **Advanced** on the menu bar at the top of the screen and then **PCI Configuration**.

Main	<b>Advanced</b>	Security	Power	Boot	System	Exit
	I/O Device Configuration					
	On Board Device					
	<b>PCI Configuration</b>					
	Onboard RAID					
	PCI Device, Slot #1					
	PCI Device, Slot #2					
	PCI Device, Slot #3					
	PCI Device, Slot #4					
	PCI Device, Slot #5					
	Server Menu					
	Console Redirection					
	Event Logging					
	Hardware Monitor					

Table 12 lists the options available through the PCI Configuration submenu. This submenu configures the option ROM area for onboard RAID and PCI devices.

**Table 12. PCI Configuration Submenu**

Feature	Choices	Description
Onboard RAID	Select to display submenu	Configures the onboard RAID option ROM area.
PCI Device, Slot #1	Select to display submenu	Configures the specific PCI device expansion ROM.
PCI Device, Slot #2	Select to display submenu	Configures the specific PCI device expansion ROM.
PCI Device, Slot #3	Select to display submenu	Configures the specific PCI device expansion ROM.
PCI Device, Slot #4	Select to display submenu	Configures the specific PCI device expansion ROM.
PCI Device, Slot #5	Select to display submenu	Configures the specific PCI device expansion ROM.



Table 13 lists the options available on the Option ROM Scan submenu. This submenu appears for each of the options available on the Advanced PCI Configuration submenu above (see Table 12). For brevity, only one example is shown.

**Table 13. Option ROM Scan Submenu**

Feature	Choices	Description
Option ROM Scan	<ul style="list-style-type: none"> <li>• <b>Enabled (default)</b></li> <li>• Disabled</li> </ul>	Initializes the device expansion ROM.

## Server Menu Submenu

To access this submenu, select Advanced on the menu bar at the top of the screen and then Server Menu.

Main	Advanced	Security	Power	Boot	System	Exit
	I/O Device Configuration					
	On Board Device					
	PCI Configuration					
	<b>Server Menu</b>					
	Console Redirection					
	Event Logging					
	Hardware Monitor					

Table 14 lists the options available through the Server Menu submenu. This submenu allows you to set options for server features.

**Table 14. Server Menu Submenu**

Feature	Choices	Description
NMI on PERR	<ul style="list-style-type: none"> <li>• <b>Disabled (default)</b></li> <li>• Enabled</li> </ul>	Enables or disables nonmaskable interrupts (NMI) on parity errors on the PCI bus (PERRs).
NMI on SERR	<ul style="list-style-type: none"> <li>• Disabled</li> <li>• <b>Enabled (default)</b></li> </ul>	Enables or disables NMI on system errors on the PCI bus (SERRs).

## Console Redirection Submenu

To access this submenu, select **Advanced** on the menu bar at the top of the screen and then **Console Redirection**.

Main	<b>Advanced</b>	Security	Power	Boot	System	Exit
	I/O Device Configuration					
	On Board Device					
	PCI Configuration					
	Server Menu					
	<b>Console Redirection</b>					
	Event Logging					
	Hardware Monitor					

Table 15 lists the options available through the Console Redirection submenu. This submenu provides additional options to configure the console.

**Table 15. Console Redirection Submenu**

Feature	Choices	Description
COM Port Address	<ul style="list-style-type: none"> <li>• <b>Disabled (default)</b></li> <li>• On-board COM A</li> <li>• On-board COM B</li> </ul>	When enabled, console redirection uses the I/O port specified. All keyboard/mouse and video will be directed to this port. This setting is designed to be used only under DOS in text mode.
Baud Rate	<ul style="list-style-type: none"> <li>• 300</li> <li>• 1200</li> <li>• 2400</li> <li>• 9600</li> <li>• <b>19.2k (default)</b></li> <li>• 38.4k</li> <li>• 57.6K</li> <li>• 115.2k</li> </ul>	When console redirection is enabled, specifies the baud rate to be used.
Console Type	<ul style="list-style-type: none"> <li>• <b>PC ANSI (default)</b></li> <li>• VT100</li> </ul>	Enables the specified console type.
Flow Control	<ul style="list-style-type: none"> <li>• None</li> <li>• XON/XOFF</li> <li>• <b>CTS/RTS (default)</b></li> </ul>	<p><i>None</i> disallows flow control.</p> <p><i>XON/XOFF</i> is software-based asynchronous flow control.</p> <p><i>CTS/RTS</i> is hardware-based flow control.</p> <p>When EMP is sharing the COM port as console redirection, the flow control must be set to <i>CTS/RTS</i>.</p>
Console Connection	<ul style="list-style-type: none"> <li>• <b>Direct (default)</b></li> <li>• Via modem</li> </ul>	Indicates whether the console is connected directly to the system or whether a modem is used.
Continue C.R. after POST	<ul style="list-style-type: none"> <li>• <b>Off (default)</b></li> <li>• On</li> </ul>	Enables console redirection (C.R.) after the operating system has been loaded.

## Event Logging Submenu

To access this submenu, select **Advanced** on the menu bar at the top of the screen and then **Event Logging**.

Main	<b>Advanced</b>	Security	Power	Boot	System	Exit
	I/O Device Configuration					
	On Board Device					
	PCI Configuration					
	Server Menu					
	Console Redirection					
	<b>Event Logging</b>					
	Hardware Monitor					

Table 16 lists the options available through the Event Logging submenu. This submenu allows you to view the event logs.

**Table 16. Event Logging Submenu**

Feature	Choices	Description
Event log validity	No options	Indicates if the contents of the event log are valid.
Event log capacity	No options	Indicates if there is space available in the event log.
View event log	<Enter>	Select <Enter> to display the current event log. Only Single Bit Error (SBE) and Multi Bit Error (MBE) events on the memory bus are supported. No Winbond 83627HF Super I/O information is available.
Event Logging	<ul style="list-style-type: none"> <li>• Disabled</li> <li>• <b>Enabled (default)</b></li> </ul>	Enables logging of events.
ECC Event Logging	<ul style="list-style-type: none"> <li>• Disabled</li> <li>• <b>Enabled (default)</b></li> </ul>	Enables logging of ECC events.
Clear all event logs	<ul style="list-style-type: none"> <li>• <b>No (default)</b></li> <li>• Yes</li> </ul>	Clears the event log after booting. Must be set to <b>Yes</b> if the Event Log Validity option is invalid.

## Hardware Monitor Submenu

To access this submenu, select **Advanced** on the menu bar at the top of the screen and then **Hardware Monitor**.

Main	<b>Advanced</b>	Security	Power	Boot	System	Exit
	I/O Device Configuration					
	On Board Device					
	PCI Configuration					
	Server Menu					
	Console Redirection					
	Event Logging					
	<b>Hardware Monitor</b>					

Table 17 lists the settings displayed in the Hardware Monitor submenu. This submenu displays temperature, voltages, and fan speeds for the onboard Super I/O Winbond ASIC (the values listed below are for reference only). Use the up and down arrow keys to scroll through the readings.

**Table 17. Hardware Monitor Submenu**

Feature	Choices	Description
Hardware Monitor IO Base	No options	0295h
VCC_CPU_A	No options	1.45 V
+1_8V_A	No options	1.79 V
+C_CV_A	No options	3.24 V
AVCC	No options	5.02 V
+12V_A	No options	11.59 V
+12ENG_1	No options	12.01 V
+2_5V_A	No options	2.49 V
AUX5V	No options	4.94 V
Vbat	No options	2.92 V
Ambiance	No options	35 °C /95 °F
CPU1	No options	51 °C/123 °F
CPU2	No options	34 °C/93 °F
System FAN 1 speed	No options	5260 RPM
System FAN 2 speed	No options	4560 RPM
System FAN 3 speed	No options	4560 RPM
System FAN 4 speed	No options	4560 RPM
CPU FAN 1 speed	No options	4560 RPM
CPU FAN 2 speed	No options	4560 RPM

## Security Menu

To access this menu, select Security on the menu bar at the top of the screen.

Main	Advanced	<b>Security</b>	Power	Boot	System	Exit
------	----------	-----------------	-------	------	--------	------

Table 18 lists the options available on the Security menu. Enabling the Supervisor Password field requires a password for entering Setup. The passwords are not case-sensitive.

**Table 18. Security Menu**

If no password entered previously:		
Feature	Choices	Description
Set User Password	<Enter>	<p>The user password controls access to the system at boot. When the &lt;Enter&gt; key is pressed, you are prompted for a password; press the ESC key to abort.</p> <p>The supervisor password must be set if a user password is to be used.</p> <p><b>NOTE:</b> Entering Setup with a supervisor password provides full access to all BIOS Setup utility menus.</p>
Set Supervisor Password	<Enter>	<p>The supervisor password controls access to the BIOS Setup utility. When the &lt;Enter&gt; key is pressed, you are prompted for a password; press the ESC key to abort.</p> <p>This password can be set only if a supervisor password is entered. When the user has entered his or her name but the supervisor is not logged in, only the following information is accessible:</p> <ul style="list-style-type: none"> <li>• Supervisor password is set to <i>Enabled</i>.</li> <li>• User password is set to <i>Enabled</i>.</li> <li>• Set user password [press enter] to enter a user password.</li> <li>• Password on boot is set to <i>Enabled/Disabled</i> (whichever is in effect). This option is not allowed to change.</li> </ul>
Password on boot	<ul style="list-style-type: none"> <li>• Disabled</li> <li>• <b>Enabled (default)</b></li> </ul>	<p>Requires password entry before boot. System will remain in secure mode until password is entered. If a user or supervisor password is not entered, the operating system cannot be accessed.</p>
Diskette access	<ul style="list-style-type: none"> <li>• <b>User (default)</b></li> <li>• Supervisor</li> </ul>	<p>Controls who can access diskette drives.</p> <p><i>Supervisor</i> limits access to the diskette drive to the supervisor, who must enter a password.</p> <p><i>User</i> allows access to the diskette drive by entering either the supervisor or the user password.</p> <p>Whatever setting is chosen, it becomes functional only if both a supervisor password and a user password have been set (if the User setting is chosen).</p>

## Power Menu

To access this menu, select Power on the menu bar at the top of the screen.

Main	Advanced	Security	<b>Power</b>	Boot	System	Exit
------	----------	----------	--------------	------	--------	------

Table 19 lists the options available on the Power menu. This menu is designed to disable ACPI automatic reboot in the S0 or S4 states. If these submenus are enabled and AC power is lost, the server power and its operating system will remain off.

**Table 19. Power Menu**

Feature	Choices	Description
Power Loss Control	<ul style="list-style-type: none"><li>Stay Off</li><li><b>Last State (default)</b></li></ul>	Specifies the power level the system returns to after AC power is lost. <i>Stay Off</i> leaves the server power disabled and ACPI does not function to reboot the server in the event of a power failure. <i>Last State</i> reboots the system according to ACPI standards.
Power Button	<ul style="list-style-type: none"><li>Disable</li><li><b>Enable (default)</b></li></ul>	Enables or disables the power button functionality.

## Boot Menu

To access this menu, select Boot on the menu bar at the top of the screen.

Main	Advanced	Security	Power	<b>Boot</b>	System	Exit
------	----------	----------	-------	-------------	--------	------

Table 20 lists the options available on the Boot menu. This menu allows you to set the boot priority of devices installed in the system. Use the following key combinations to navigate between or view the devices and change the boot priority:

- <Enter> expands or collapses devices with a “+” or “-.”
- <Ctrl+Enter> expands all devices.
- <Shift+l> enables or disables devices.
- <+> and <-> moves the device up or down.
- <n> may move the removable device between the hard drive or removable disk.
- <d> removes a device that is not installed.

**Table 20. Boot Menu**

Boot Priority	Device	Description
1 <sup>st</sup> Boot Device 2 <sup>nd</sup> Boot Device 3 <sup>rd</sup> Boot Device 4 <sup>th</sup> Boot Device	<ul style="list-style-type: none"><li>• Removable Devices</li><li>• Hard Drive</li><li>• CD-ROM Drive</li><li>• Network Boot</li></ul>	<p>Specifies the boot sequence according to the device type. The computer will attempt to boot from up to four devices as specified here. Only one of the devices can be an IDE hard disk drive.</p> <p>The default settings for the first through fourth boot devices are, respectively:</p> <ul style="list-style-type: none"><li>• Removable Devices: Attempts to boot from the diskette drive or a removable device, such as the floppy.</li><li>• Hard Drive: Attempts to boot from a hard drive device.</li><li>• CD-ROM Drive: Attempts to boot from a CD-ROM drive containing bootable media. This entry appears if there is a bootable CD-ROM that is in a BIOS Boot Specification (BBS)-compliant SCSI CD-ROM.</li><li>• Network Boot: This device is the old network boot ROM using hook Interrupt 19h or Interrupt 18h. If the network card ROM contains the string <i>\$PnP</i>, it uses the correct BBS and the device will appear the Boot menu as an independent device. Otherwise, it will appear under the Boot/Network Boot submenu.</li></ul>

# System Menu

To access this menu, select System on the menu bar at the top of the screen.

Main	Advanced	Security	Power	Boot	<b>System</b>	Exit
------	----------	----------	-------	------	---------------	------

Table 21 lists the options available on the System menu. This menu displays information on vendor, processor, memory, peripherals, and BIOS.

**Table 21. System Menu**

Feature	Choices	Description
Machine Vendor	<Enter>	Provides basic information on the machine vendor: <ul style="list-style-type: none"> <li>• Manufacturer: Intel Corporation</li> <li>• Product: SE7500CW2</li> <li>• Version: 1.00</li> <li>• Serial Number: 12345678</li> </ul>
CPU	<Enter>	Provides basic information on the processor Boot Strap Processor: <ul style="list-style-type: none"> <li>• Installed Speed: 1.8 GHz (for example)</li> <li>• Socket Name: BSP</li> <li>• Manufacturer: GenuineIntel</li> <li>• Version: Intel(R) XEON(TM)</li> <li>• CPUID: 3FEBFBFF0000F24</li> <li>• L2 Cache: 512 KB</li> </ul> Application Processor: <ul style="list-style-type: none"> <li>• Installed Speed: 1.8 GHZ (for example)</li> <li>• Socket Name: AP</li> <li>• Manufacturer: GenuineIntel</li> <li>• Version: Intel(R) XEON(TM)</li> <li>• CPUID: 3FEBFBFF0000F24</li> <li>• L2 Cache: 512 KB</li> </ul>
Memory	<Enter>	Provides basic information on the memory: <ul style="list-style-type: none"> <li>• System Memory: 640 KB</li> <li>• Extended Memory: 1023 MB (BIOS based memory)</li> <li>• Shadow RAM: 384 KB</li> <li>• Cache RAM: 512 KB</li> <li>• Installed Size—DIMM 1A, 1B, 2A, and 2B: DIMM size in MB</li> </ul>

continued



**Table 21. System Menu** (continued)

Feature	Choices	Description																																				
Peripherals	<Enter>	Provides the port connectors for onboard designators. None of these can be modified in user mode  <table border="1"> <thead> <tr> <th>Port Connector</th> <th>On Board Designator</th> <th>Port Connector</th> <th>On Board Designator</th> </tr> </thead> <tbody> <tr> <td>J44</td> <td>COM 1</td> <td>J7</td> <td>ATA100</td> </tr> <tr> <td>J28</td> <td>COM 2</td> <td></td> <td>Secondary IDE</td> </tr> <tr> <td>J101</td> <td>LPT 1</td> <td>J10</td> <td>Floppy</td> </tr> <tr> <td>J46</td> <td>PS/2 Keyboard</td> <td>J42</td> <td>VGA Conn</td> </tr> <tr> <td>J46</td> <td>PS/2 Mouse</td> <td>J107</td> <td>LAN 1</td> </tr> <tr> <td>J4</td> <td>Primary IDE</td> <td>J108</td> <td>LAN 2</td> </tr> <tr> <td>J5</td> <td>Secondary IDE</td> <td>J43</td> <td>USB1 &amp; USB2 &amp; USB3</td> </tr> <tr> <td>J6</td> <td>ATA100 Primary IDE</td> <td>J11</td> <td>USB 4</td> </tr> </tbody> </table>	Port Connector	On Board Designator	Port Connector	On Board Designator	J44	COM 1	J7	ATA100	J28	COM 2		Secondary IDE	J101	LPT 1	J10	Floppy	J46	PS/2 Keyboard	J42	VGA Conn	J46	PS/2 Mouse	J107	LAN 1	J4	Primary IDE	J108	LAN 2	J5	Secondary IDE	J43	USB1 & USB2 & USB3	J6	ATA100 Primary IDE	J11	USB 4
Port Connector	On Board Designator	Port Connector	On Board Designator																																			
J44	COM 1	J7	ATA100																																			
J28	COM 2		Secondary IDE																																			
J101	LPT 1	J10	Floppy																																			
J46	PS/2 Keyboard	J42	VGA Conn																																			
J46	PS/2 Mouse	J107	LAN 1																																			
J4	Primary IDE	J108	LAN 2																																			
J5	Secondary IDE	J43	USB1 & USB2 & USB3																																			
J6	ATA100 Primary IDE	J11	USB 4																																			
BIOS	<Enter>	ROM SIZE: 1024 KB Vendor: Phoenix Technologies LTD Version: 1.14 Release Date: 2/22/2002 – creation date																																				

## Exit Menu

To access this menu, select Exit on the menu bar at the top of the screen.

Main	Advanced	Security	Power	Boot	System	<b>Exit</b>
------	----------	----------	-------	------	--------	-------------

Table 22 lists the options available in the Exit menu. Select an option using the up or down arrow keys; then press <Enter> to execute the option. Pressing <Esc> does not exit this menu. You must select one of the items from the menu or menu bar to exit.

**Table 22. Exit Menu**

Choices	Description
Exit Saving Changes	Exits after writing all modified Setup item values to CMOS.
Exit Discarding Changes	Exits leaving CMOS unmodified. User is prompted if any of the setup fields were modified.
Load Setup Defaults	Loads default values for all Setup items.
Discard Changes	Reads previous values of all Setup items from CMOS.
Save Changes	Writes all Setup item values to CMOS.
Load Custom Default	Loads custom default values for all setup items.
Save Custom Default	Saves all Setup item values to NVRAM as a custom default.

# Upgrading the BIOS

## Preparing for the Upgrade

Before you upgrade the BIOS, prepare for the upgrade by recording the current BIOS settings, obtaining the upgrade utility, and making a copy of the current BIOS.

### Recording the Current BIOS Settings

1. Boot the computer and press <F2> when you see the message:  
Press <F2> Key if you want to run SETUP
2. Write down the current settings in the BIOS Setup program.

#### **NOTE**

Do not skip step 2. You will need these settings to configure your computer at the end of the procedure.

### Obtaining the Upgrade Utility

You can upgrade to a new version of the BIOS using the new BIOS files and the BIOS upgrade utility, PHLASH.EXE. You can obtain the BIOS upgrade file and the PHLASH.EXE utility through your computer supplier or from the Intel Customer Support Web site:

*<http://support.intel.com/support/motherboards/server/SE7500CW2>*

#### **NOTE**

Please review the instructions distributed with the upgrade utility before attempting a BIOS upgrade.

This upgrade utility allows you to upgrade the BIOS in flash memory. The following steps explain how to upgrade the BIOS.

### Creating a Bootable Diskette

1. Use a DOS system to create the diskette.
2. Insert a diskette in diskette drive A.
3. At the C:\ prompt, for an unformatted diskette, type:  
`format a: /s`  
or, for a formatted diskette, type:  
`sys a:`
4. Press <Enter>.

## Creating the BIOS Upgrade Diskette

The BIOS upgrade file is a compressed self-extracting archive that contains the files you need to upgrade the BIOS.

1. Insert the bootable diskette into the diskette drive.
2. Extract the contents of the BIOS.EXE file onto the bootable diskette. To do so, simply type the file name (with or without the extension) at the a:\ prompt, for example “BIOS.EXE.”
3. You will be prompted to confirm a folder in which to store the extracted files. The BIOS upgrade image is extracted in the specified folder.

## Upgrading the BIOS

1. Place the bootable diskette containing the BIOS update files into the diskette drive of your system. Boot the system with the diskette in the drive.
2. At this point you have a choice of two options. Press 1 and <Enter> to automatically update the system BIOS. This will update the system BIOS and reset the system. Press 2 and <Enter> to update the User Binary and reset the system.
3. Wait while the BIOS files are updated. Do **not** power down the system during the BIOS update process! The system will reset automatically when the BIOS update process is completed. Remove the diskette from the diskette drive.
4. Check to make sure the BIOS version displayed during POST is the new version as the system reboots.
5. Enter Setup by pressing the F2 key during boot. Once in Setup, press the F9 and <Enter> to set the parameters back to default values.
6. Re-enter the values you wrote down at the beginning of this process. Press F10 and <Enter> to exit BIOS Setup and Save Changes.
7. If you do not set the CMOS values back to defaults using the F9 key, the system may function erratically.

### NOTE

You may encounter a CMOS Checksum error or other problem after reboot. Try shutting down the system and booting up again. CMOS checksum errors require that you enter Setup, check your settings, save your settings, and exit Setup.

## Recovering the BIOS

It is unlikely that anything will interrupt the BIOS upgrade; however, if an interruption occurs, the BIOS could be damaged. The following steps explain how to recover the BIOS if an upgrade fails.

### NOTE

Because of the small amount of code available in the non-erasable boot block area, there is no video support. You will not see anything on the screen during the procedure. Monitor the procedure by listening to the speaker.

You **must** boot to DOS. The BIOS recovery diskette will not be created correctly under the DOS window of a Windows operating system.

1. Obtain the BIOS update file package from <http://support.intel.com>.
2. A file called “crisis.zip” is one of the files included with each Server Board SE7500CW2 BIOS release file package. Unzip the “crisis.zip” file to a directory on your hard drive.
3. Format a blank diskette (the diskette should not be a bootable DOS diskette). Insert the diskette into the diskette drive.
4. From the MS-DOS<sup>†</sup> prompt on an MS-DOS system, run the “crisdisk.bat” file from the directory you created on your hard drive. Follow the instructions on the screen to create the BIOS recovery diskette.

 **NOTE**

The BIOS recovery diskette will not be created correctly under the MS-DOS window of a Windows operating system. It is necessary to use an MS-DOS system to create the BIOS recovery floppy diskette.

5. Power off the system, unplug the power cord, and remove the chassis panel.
6. Remove the spare jumper from pins 9-10 on jumper block J106 and install it on pins 1-2 (BIOS Recovery) of jumper block J106.
7. Insert the BIOS recovery diskette into the diskette drive.
8. Reinstall the chassis panel, plug in the power cord(s), and power on the system.
9. The screen will remain blank while the BIOS Recovery is performed. A number of beeps will occur during the BIOS update. The diskette drive access light will not turn off when the BIOS recovery is completed. Allow four minutes for the BIOS recovery to complete. If a POST card is installed in a PCI slot during the BIOS recovery, you can tell that the BIOS recovery is complete when code “EC” is displayed. When the BIOS Recovery is complete, it is safe to power off the system.
10. Power off the system, unplug the power cord(s), and remove the chassis panel.
11. Remove the BIOS Recovery jumper from pins 1-2 and store the jumper on pins 9-10.
12. Replace the chassis panel, plug in the power cord(s), and power on the system.
13. Perform a CMOS clear following the BIOS recovery.

## Changing the BIOS Language

You can use the BIOS upgrade utility to change the language the BIOS uses for messages and the Setup program. Use a bootable diskette containing the Intel flash utility and language files.

1. Boot the computer with the bootable diskette in drive A. The BIOS upgrade utility screen appears.
2. Select Update Flash Memory From a File.
3. Select Update Language Set. Press <Enter>.
4. Select drive A and use the arrow keys to select the correct .lng file. Press <Enter>.
5. When the utility asks for confirmation that you want to flash the new language into memory, select Continue with Programming. Press <Enter>.
6. When the utility displays the message upgrade is complete, remove the diskette. Press <Enter>.
7. The computer will reboot and the changes will take effect.

# Hardware Monitoring

The Server Board SE7500CW2 has an integrated Winbond Heceta† 836327HF chip that is responsible for hardware monitoring. Together, the Winbond Heceta chip and Intel® LANDesk® Client Manager (LDCM) 6.3 software provide basic server hardware monitoring that alerts a system administrator if a hardware problem occurs on an Intel Server Board SE7500CW2–based system. The Intel LDCM software is for use with Windows 2000 Server and Windows 2000 Advanced Server operating systems. Other operating systems supported by the Server Board SE7500CW2 such as NetWare 6.0 or Red Hat† Linux† will not be monitored with LDCM. Table 23 lists the monitored headers and sensors on the Server Board SE7500CW2.

**Table 23. Monitored Headers and Sensors**

Sensor Type	Item	Description
Voltage	CPU1/2	Monitors processor voltage (one CPU power plane)
	1.8 V	Chipset
	VCC3	Monitors VCC3
	VCC	Monitors VCC
	+12 V	Monitors +12 V
	2.5 V	Monitors 2.5 V (for DIMM)
	Vbat	Battery pin voltage
Fan Speed	5 VSB	Monitors 5 VSB (5 V stand-by)
	CPU1_FAN	Monitors primary processor fan speed
	CPU2_FAN	Monitors secondary processor fan speed
	CHASSIS_FAN	Monitors chassis fan speed through chassis fan header 3 only. (Total 4 chassis fans available)
Temperature	CPU2	Monitors primary processor temperature
	CPU1	Monitors secondary processor temperature
	CHASSIS	Monitors chassis ambient temperature

Intel LDCM software and a white paper that provides more information on using Intel LDCM software are available on the *Intel Server Board SE7500CW2 Resource CD* and are also available for download at the following Web site:

<http://www.support.intel.com/support/motherboards/server/SE7500CW2>

## NOTE

If any system sensors such as CPU1\_FAN are not being monitored, please refer to the following Web site for updates:

<http://www.support.intel.com/support/motherboards/server/SE7500CW2>



## 3 Server Board Installation

---

### Tools and Supplies Needed

- Phillips† (cross head) screwdriver (#1 bit and #2 bit)
- Needle nosed pliers
- A ruler
- Pen or pencil
- Antistatic wrist strap and conductive foam pad (recommended)

### Before You Begin

#### Emissions Disclaimer

To ensure EMC compliance with your local regional rules and regulations, the final configuration of your end system product may require additional EMC compliance testing. For more information please contact your local Intel Representative.

See “Regulatory and Integration Information” on page 87 for product Safety and EMC regulatory compliance information. This is an FCC Class A device. Integration of it into a Class B chassis does not result in a Class B device.

### Safety Cautions



#### CAUTIONS

**System power on/off:** The power button DOES NOT turn off the system AC power. To remove power from system, you must unplug the AC power cord from the wall outlet. Make sure the AC power cord is unplugged before you open the chassis, add, or remove any components.

**Hazardous conditions, devices & cables:** Hazardous electrical conditions may be present on power, telephone, and communication cables. Turn off the server and disconnect the power cord, telecommunications systems, networks, and modems attached to the server before opening it. Otherwise, personal injury or equipment damage can result.

**Electrostatic discharge (ESD) & ESD protection:** ESD can damage disk drives, boards, and other parts. We recommend that you perform all procedures in this chapter only at an ESD workstation. If one is not available, provide some ESD protection by wearing an antistatic wrist strap attached to chassis ground—any unpainted metal surface—on your server when handling parts.

**ESD and handling boards:** Always handle boards carefully. They can be extremely sensitive to ESD. Hold boards only by their edges. After removing a board from its protective wrapper or from the server, place the board component side up on a grounded, static free surface. Use a conductive foam pad if available but not the board wrapper. Do not slide board over any surface.

**Installing or removing jumpers:** A jumper is a small plastic encased conductor that slips over two jumper pins. Some jumpers have a small tab on top that you can grip with your fingertips or with a pair of fine needle nosed pliers. If your jumpers do not have such a tab, take care when using needle nosed pliers to remove or install a jumper; grip the narrow sides of the jumper with the pliers, never the wide sides. Gripping the wide sides can damage the contacts inside the jumper, causing intermittent problems with the function controlled by that jumper. Take care to grip with, but not squeeze, the pliers or other tool you use to remove a jumper, or you may bend or break the stake pins on the board.

## Safety and Regulatory Compliance

See “Regulatory and Integration Information” on page 87 for product Safety and EMC regulatory compliance information.

***Intended uses:*** This product was evaluated for use in servers that will be installed in offices, computer rooms, and similar locations. Other uses require further evaluation.

***EMC testing:*** Before computer integration, make sure that the chassis, power supply, and other modules have passed EMC testing using a server board with a microprocessor from the same family (or higher) and operating at the same (or higher) speed as the microprocessor used on this server board.

***Server board diagram label provided:*** Place the label inside the chassis in an easy-to-see location, preferably oriented similarly to the server board.



# Minimum Hardware Requirements

To avoid integration difficulties and possible board damage, your system must meet the following minimum requirements. For a list of qualified memory and chassis components see:

<http://support.intel.com/support/motherboards/server/SE7500CW2>

## Processor

Minimum of one 1.8 GHz Intel Xeon processor with 512K cache support. For a complete list of supported processors, see:

<http://support.intel.com/support/motherboards/server/SE7500CW2>

## Memory

Minimum of two 128 MB Registered, ECC, DDR 200/266 compliant, 184-pin DIMMs.

## Power Supply

Minimum of 450W. Your supply must provide a minimum of 1.2 A of 5 V standby current or the board will not boot.

# Installation Notes

### Installation Process Quick Reference

Step	Where the information is located
Remove the access cover	Your chassis manual
Install the I/O shield	This guide
Install memory	This guide
Install the standoffs	This guide
Install the rubber bumpers	This guide
Install the server board	This guide
Install the primary processor	This guide
Install the secondary processor (optional)	This guide
Connect cables to the server board	This guide and your chassis manual

# Installation Procedures

## Installing the I/O Gasket and Shield

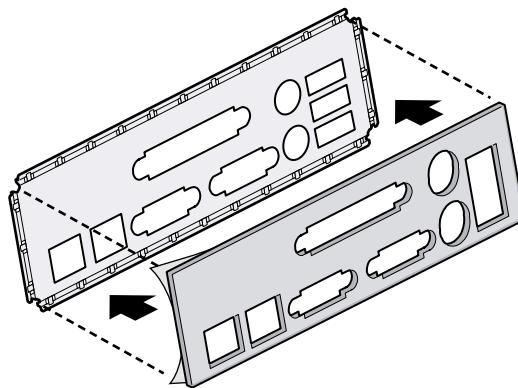
 **NOTE**

An ATX 2.03-compliant I/O shield is provided with the server board. The shield is required by Electromagnetic Interference (EMI) regulations to minimize EMI. If the shield does not fit the chassis, obtain a properly sized shield from the chassis supplier.

The shield fits the rectangular opening in the back of a chassis. The shield has cutouts that match the I/O ports. Install the shield from inside the chassis.

### Attaching the Gasket to the I/O Shield

1. Remove the two backing strips from the gasket.
2. Press the gasket onto the inside face of the I/O shield as shown.

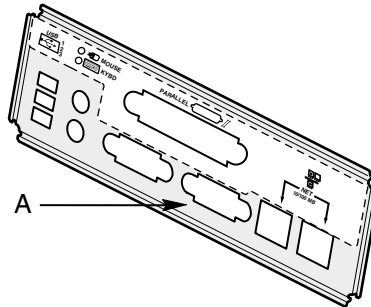


OM14074

**Figure 3. Attaching the Gasket to the I/O Shield**

## Attaching the Label to the I/O Shield

1. Remove the backing from the label included with your server board.
2. Press the label onto the outside face of the I/O shield. See Figure 4, A.

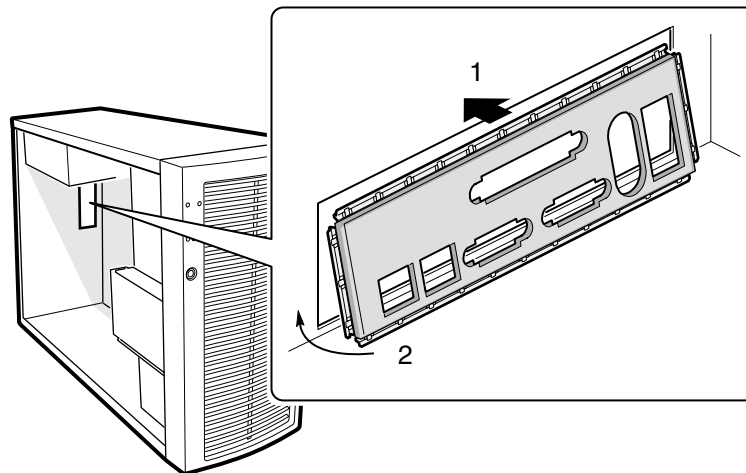


OM14360

Figure 4. Attaching the Label to the I/O Shield

## Installing the I/O Shield

1. Position one edge so that the dotted groove is outside the chassis wall, and the lip of the shield rests on the inner chassis wall.
2. Hold the shield in place, and push it into the opening until it is seated. Make sure the I/O shield snaps into place all the way around.



OM14427

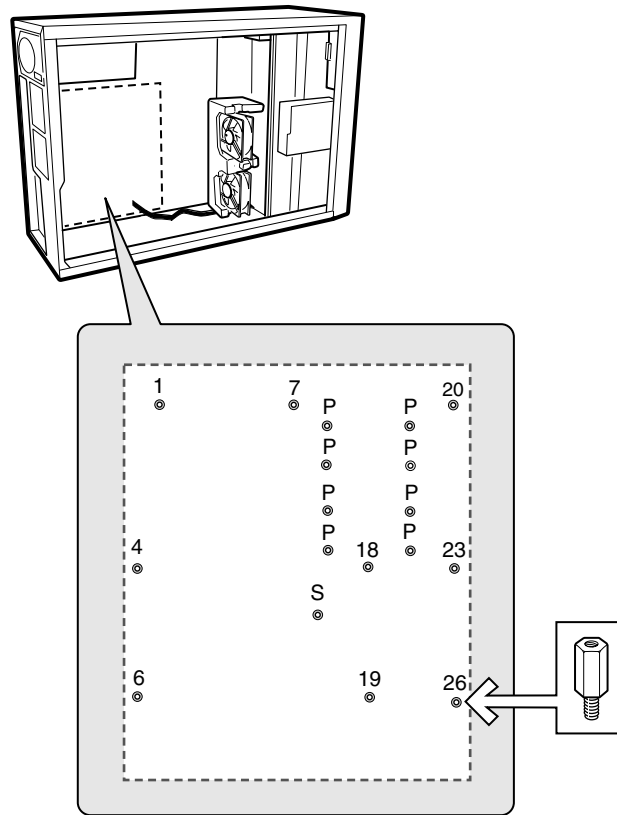
Figure 5. Installing the I/O Shield

## Configuring Chassis Standoffs

If your chassis does not have standoffs placed as shown below, you must rearrange them so they match the holes in the server board. Failure to properly rearrange the metal standoffs may cause the server board to malfunction and may permanently damage it. Your chassis may be different from the illustration.

For the Intel® Server Chassis SC5200:

1. Chassis comes with positions 1, 4, 6, 20, 23, and 26 preinstalled.
2. Install standoffs in the remaining positions (7, 18, 19, P, and S). Standoffs are included with your chassis.



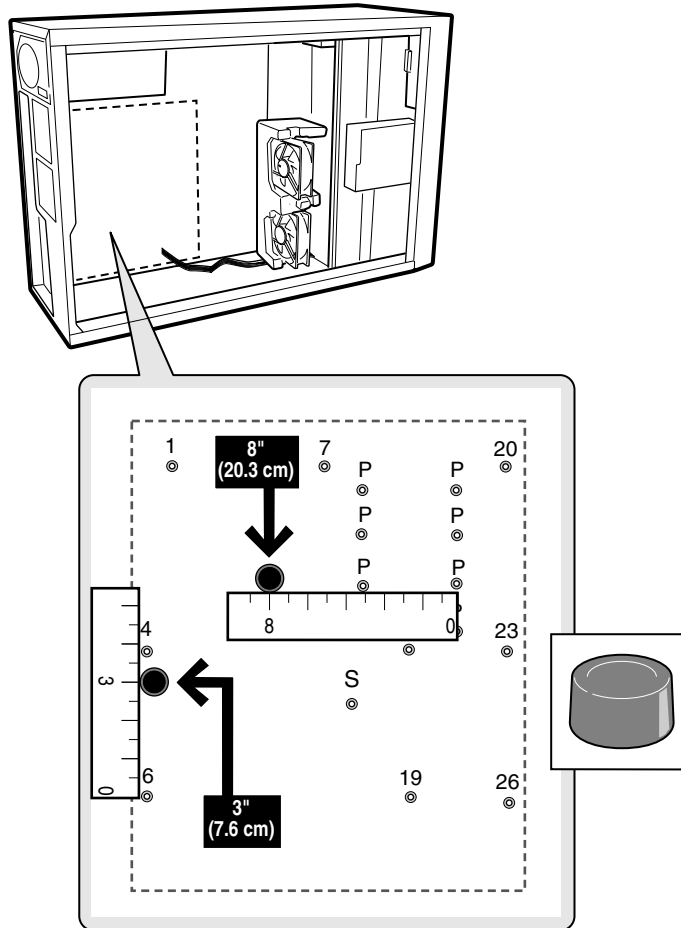
OM14221

**Figure 6. Configuring Chassis Standoffs**

## Installing Rubber Bumpers

For the Server Chassis SC5200:

1. Measure and mark the bumper placement locations in your chassis by placing your ruler against the standoffs as shown below.
2. Remove the backing from the bumpers and press firmly into position. Rubber bumpers are included with your chassis.



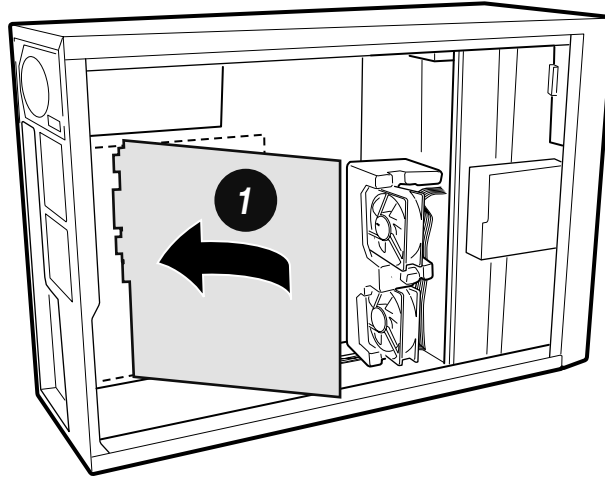
OM14425

Figure 7. Installing Rubber Bumpers

## Installing the Server Board

### Placing the Server Board into the Chassis

When placing the board into the chassis, carefully position the board's I/O connectors into the openings in the I/O shield on the back of the chassis.

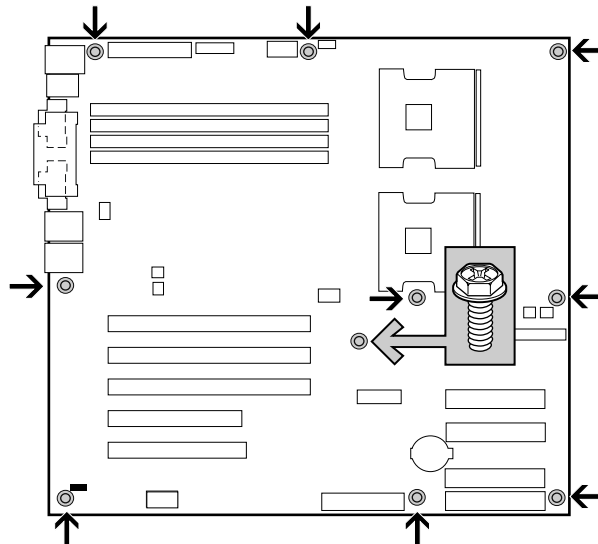


OM14200

Figure 8. Placing the Server Board in the Chassis

### Attaching the Server Board

Using the screws that came with your chassis, mount the board to the chassis.



OM14423

Figure 9. Attaching the Server Board

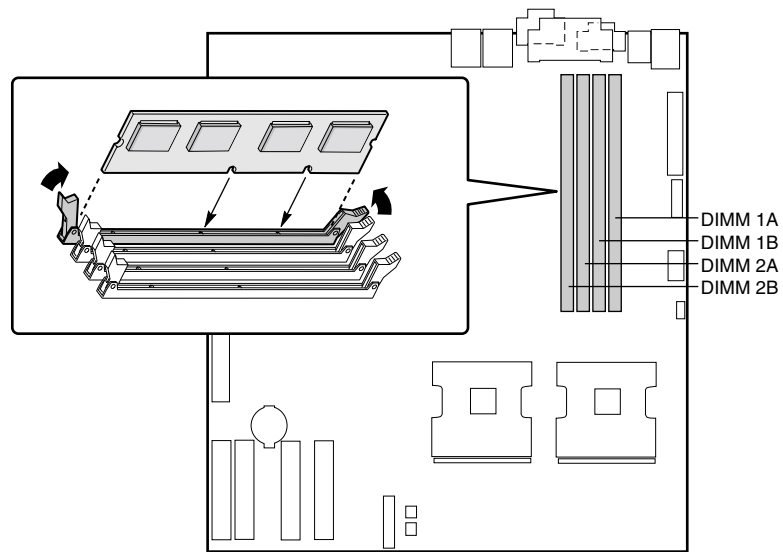
## Installing Memory

The server board supports only DDR 200/266 compliant DIMMs. Install from 256 MB to 4 GB of memory, using up to four DIMMs.

DIMMs must be installed in pairs. The furthest DIMM pair from the MCH must be populated first.

No DIMM mixing is allowed within a bank. Between banks only the DIMM size may be different. All DIMMs must be the same speed and architecture. For a list of supported memory, visit the Intel Support Web site:

<http://support.intel.com/support/motherboards/server/SE7500CW2>



OM14194

**Figure 10. Installing Memory**

## Installing the Processor(s)

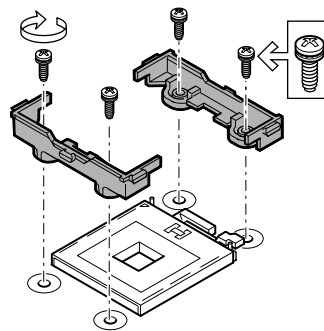
### CAUTION

If you are installing only one processor, it must be installed in the Primary Processor Socket, which is the closest to the corner of the server board.

If you are installing a second processor to your system, you must verify that the second processor is identical to the first processor, same voltage and speed. Using unidentical processors could cause system failure.

## Installing the Retention Brackets

1. Observe the safety and ESD precautions at the beginning of this chapter and the additional precautions given here.
2. Remove power from your system by unplugging the AC power cord.
3. Remove the chassis cover (see your system or chassis documentation for instructions).
4. When installing a processor, insert the retention brackets and tighten the four retention screws.



OM14471

**Figure 11. Installing the Retention Brackets**

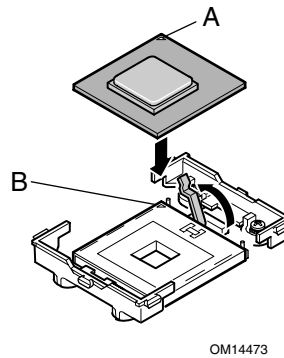


## Attaching the Processor

### NOTE

This server board has “zero-insertion-force” sockets. If the processor does not drop easily into the socket holes, make sure the lever is in the full upright position and the processor is oriented properly.

1. Lift the socket lever on the processor.

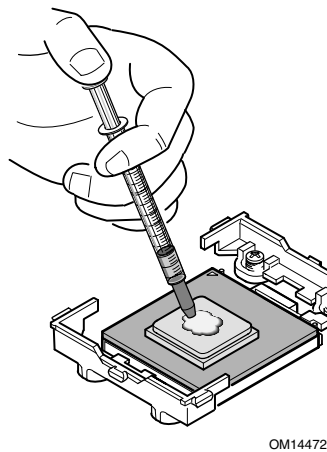


**Figure 12. Opening Socket Lever and Attaching Processor**

2. Align the Alignment Triangle Mark (Figure 12, A) on the processor with the Alignment Triangle Cutout on the socket (Figure 12, B).
3. Insert the processor in the socket and close the socket lever.

## Applying Thermal Grease

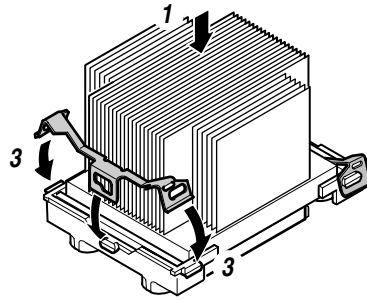
Apply thermal grease to the processor as shown in Figure 13.



**Figure 13. Applying Thermal Grease**

## Attaching the Heat Sink

1. Align the heat sink with the retention brackets and place the heat sink on the processor.



OM14474

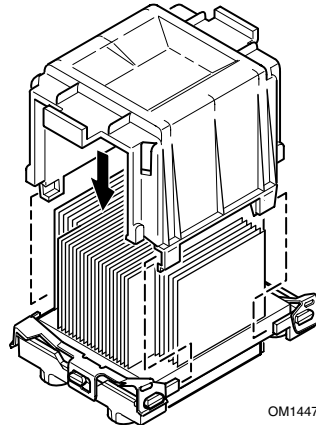
**Figure 14. Attaching the Heat Sink**

2. Position the retention clip over the plastic tab and engage the clip end-slot over the plastic tab.
3. Press downward on the retention clip ends until they engage the plastic tabs.

## Installing the Processor Wind Tunnel

### Attaching the Processor Wind Tunnel Assembly

Install the processor wind tunnel center section over the heat sink (Figure 15). Note that the plastic tabs engage the tabs on the retention clips.

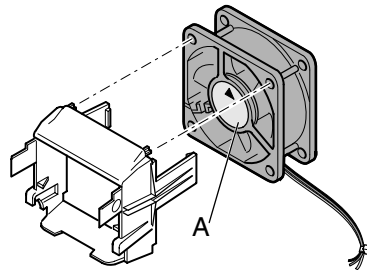


OM14475

**Figure 15. Attaching the Wind Tunnel Assembly**

## Attaching the Heat Sink Fan

Attach the fan to the wind tunnel air intake section as shown in Figure 16. The fan label (Figure 16, A) must point into the air intake section.



OM14476

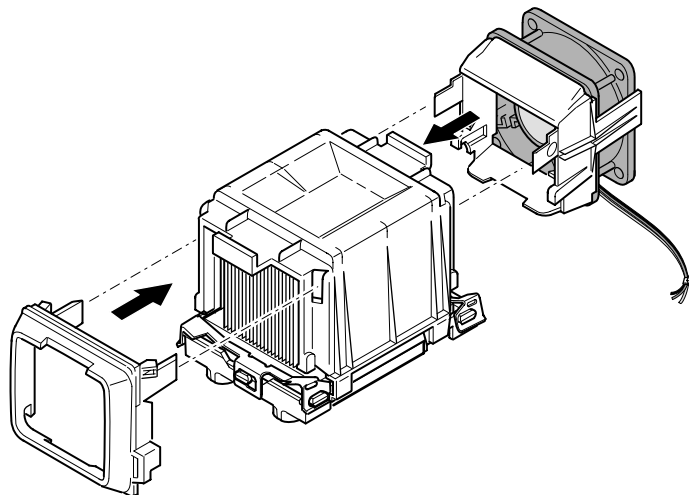
Figure 16. Attaching the Heat Sink Fan

## Attaching Intake and Exhaust Assemblies

### NOTE

System airflow should be from front to back. Make sure the wind tunnel is aligned so the fan is toward the front of the chassis and the airflow is toward the I/O shield. If two processors are installed, the fans should be side by side.

1. Attach the air intake fan assembly to the side of the heat sink wind tunnel nearest to the front of the chassis. Align the tabs on the assembly with the slots in the wind tunnel section, then snap the lower portion of the fan holder over the tabs on the center section.
2. Attach the exhaust portion of the processor wind tunnel assembly.
3. Attach CPU Fan 1 cable to the server board at location J15 and/or attach CPU Fan 2 cable at location J16.



OM14477

Figure 17. Attaching Intake and Exhaust Assemblies

## Installing the Optional SCSI Add-in Card

Certain versions of the Server Board SE7500CW2 ship with an Ultra160 SCSI card. This card has the following features:

- Ultra160 single channel based on the LSI† 53C1000 SCSI controller
- PCI 2.2 compliant
- PCI 64-bit/66 MHz
- Universal PCI form factor
- Low profile form factor, shipping with a full-size bracket attached and a low-profile bracket in the packaging
- Internal and external connectors (internal standard 68 pin HD, external VHDI connector)
- Termination: Universal (LVD/SE) termination, automatic cable detection, software disable
- Four-pin header for off-board LEDs

Drivers for this card can be downloaded from the Server Board SE7500CW2 System Resource CD that ships with the board or from the Server Board SE7500CW2 Intel Support Web site:

*<http://support.intel.com/support/motherboards/server/SE7500CW2>*

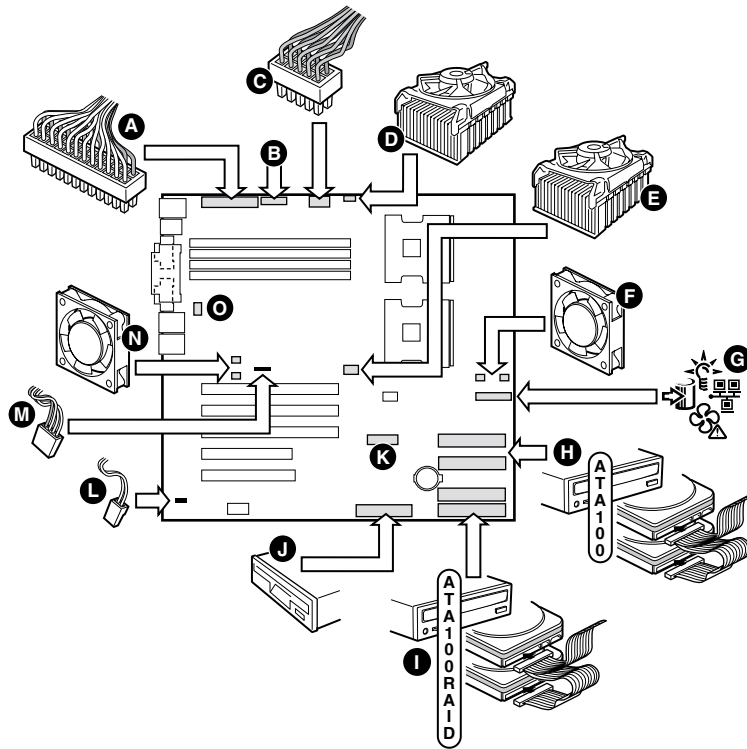


### NOTE

In order to maximize airflow within the chassis, it is recommended that you install the SCSI add-in card in either PCI slot 2 or 3 and install SCSI devices in the chassis lower device bays. However, the SCSI add-in card can be installed in any PCI slot on the server board.

1. Remove the screw that secures the filter panel at PCI slot 2 or 3.
2. Remove the filter panel at PCI slot 2 or 3 by pushing it out from the inside of the chassis.
3. Insert the SCSI card.
4. Replace the screw.

# Making Connections to the Server Board



OM14422A

- |                       |                      |
|-----------------------|----------------------|
| A. Main power         | I. ATA 100 RAID IDE  |
| B. Auxiliary signal   | J. Floppy            |
| C. +12 V CPU power    | K. Front panel USB   |
| D. CPU fan 1          | L. Chassis intrusion |
| E. CPU fan 2          | M. I2C               |
| F. Front chassis fans | N. Rear chassis fans |
| G. Front panel        | O. Jumper block      |
| H. ATA 100 IDE        |                      |

**Figure 18. Making Connections to the Server Board**

## Cable Routing

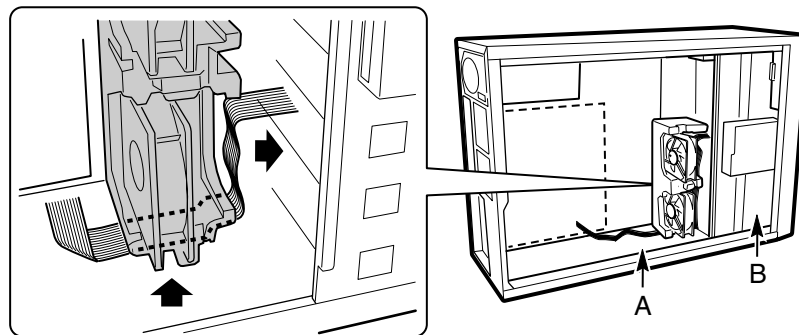
To ensure proper airflow within the chassis, follow the cable routing guidelines below.

If you purchased the optional SCSI hot-swap drive bay accessory, see the installation manual that shipped with the drive bay kit for information on SCSI cable routing.

### IDE Cables

IDE cables that connect to devices in the lower device bays should be routed around the EPAC as shown below.

1. Remove the top half of the EPAC.
2. Route cables as shown in Figure 19.
3. Replace the top half of the EPAC.



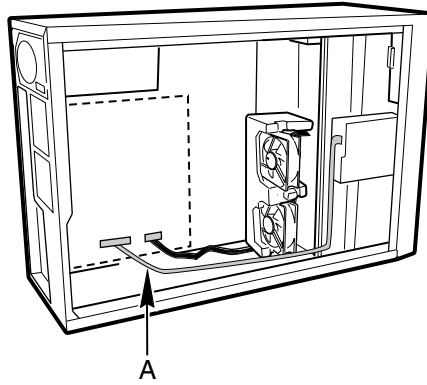
OM14196

- A. Ribbon Cable(s)
- B. Lower Device Bay

**Figure 19. Routing IDE Cables**

## Floppy Drive Cable

Route the floppy drive cable as shown in Figure 20, A.



OM14421

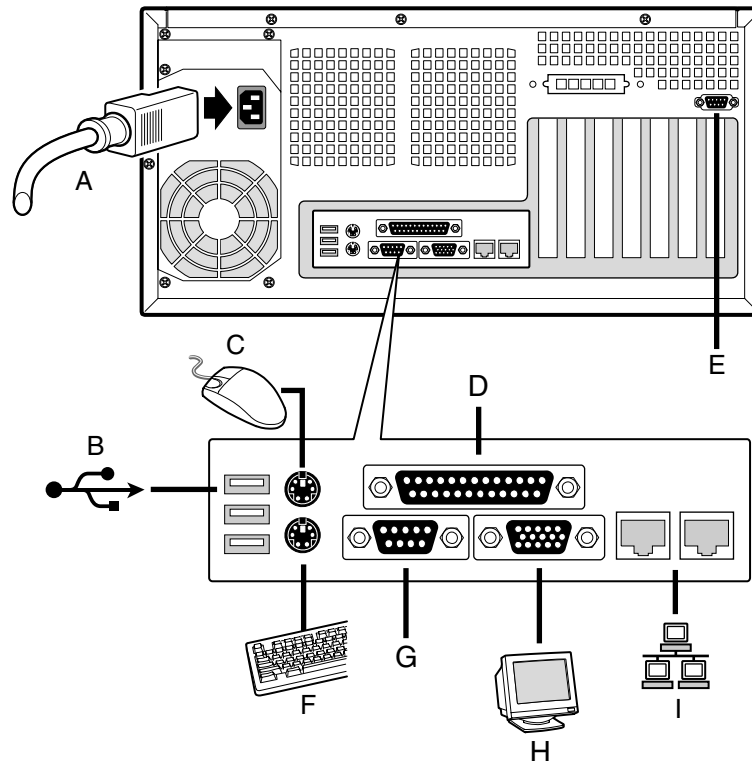
**Figure 20. Routing the Floppy Drive Cable**

## Finishing Up

### WARNING

**An electrical shock hazard exists if the chassis cover is not replaced before connecting the chassis to the main power.**

1. Install the chassis cover according to the instructions for your chassis.
2. See your chassis documentation to complete rack or pedestal installation.
3. Connect the keyboard, mouse and monitor cables to the back panel.
4. Connect the power cable to the back panel and to an AC outlet.



OM14424

- |                    |                  |
|--------------------|------------------|
| A. AC Power        | F. Keyboard      |
| B. USB 1, 2, and 3 | G. Serial port 1 |
| C. Mouse           | H. Video         |
| D. Parallel port   | I. Network       |
| E. Serial port 2   |                  |

**Figure 21. Making Back Panel Connections**



## 4 Upgrading

---

### Tools and Supplies Needed

- Phillips (cross head) screwdriver (#1 bit and #2 bit)
- Jumper removal tool or needle nosed pliers
- Pen or pencil
- Antistatic wrist strap and conductive foam pad (recommended)

### Cautions

These warnings and cautions apply throughout this chapter. Only a technically qualified person should configure the server board.



#### CAUTIONS

**System power on/off:** The power button DOES NOT turn off the system AC power. To remove power from system, you must unplug the AC power cord from the wall outlet. Make sure the AC power cord is unplugged before you open the chassis, add, or remove any components.

**Hazardous conditions, devices, & cables:** Hazardous electrical conditions may be present on power, telephone, and communication cables. Turn off the server and disconnect the power cord, telecommunications systems, networks, and modems attached to the server before opening it. Otherwise, personal injury or equipment damage can result.

**Electrostatic discharge (ESD) & ESD protection:** ESD can damage disk drives, boards, and other parts. We recommend that you perform all procedures in this chapter only at an ESD workstation. If one is not available, provide some ESD protection by wearing an antistatic wrist strap attached to chassis ground—any unpainted metal surface—on your server when handling parts.

**ESD and handling boards:** Always handle boards carefully. They can be extremely sensitive to ESD. Hold boards only by their edges. After removing a board from its protective wrapper or from the server, place the board component side up on a grounded, static free surface. Use a conductive foam pad if available but not the board wrapper. Do not slide board over any surface.

**Installing or removing jumpers:** A jumper is a small plastic encased conductor that slips over two jumper pins. Some jumpers have a small tab on top that you can grip with your fingertips or with a pair of fine needle nosed pliers. If your jumpers do not have such a tab, take care when using needle nosed pliers to remove or install a jumper; grip the narrow sides of the jumper with the pliers, never the wide sides. Gripping the wide sides can damage the contacts inside the jumper, causing intermittent problems with the function controlled by that jumper. Take care to grip with, but not squeeze, the pliers or other tool you use to remove a jumper, or you may bend or break the stake pins on the board.

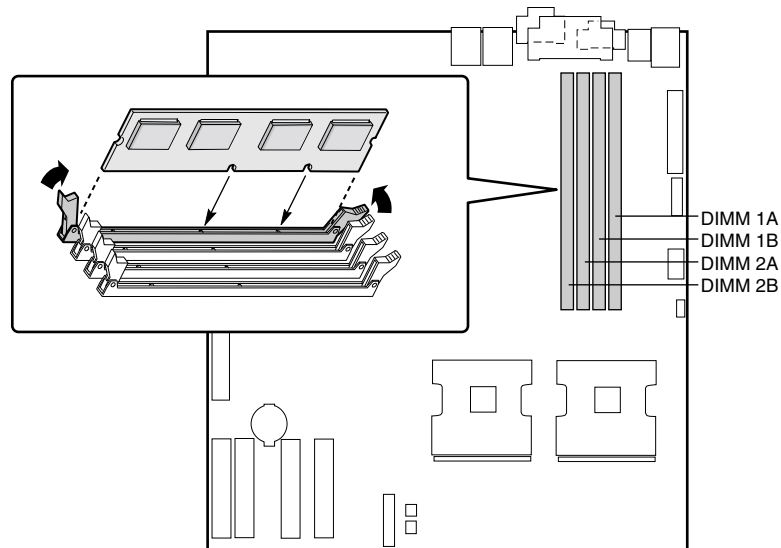
## Memory

The board supports only DDR 200/266-compliant DIMMs. Install from 256 MB to 4 GB of memory, using up to four DIMMs.

DIMMs must be installed in pairs. The furthest DIMM pair from the MCH must be populated first.

No DIMM mixing is allowed within a bank. Between banks only the DIMM size may be different. All DIMMs must be the same speed and architecture. For a list of supported memory, visit the Intel Support Web site at:

<http://support.intel.com/support/motherboards/server/SE7500CW2>



OM14194

**Figure 22. Installing DIMMs**

# Processors



## WARNING

**If the server has been running, any installed processor and heat sink on the processor board(s) will be hot. To avoid the possibility of a burn, be careful when removing or installing server board components that are located near processors.**



## CAUTIONS

**Processor must be appropriate:** You may damage the server board if you install a processor that is inappropriate for your server. Make sure your server can handle a newer, faster processor (thermal and power considerations). For exact information about processor interchangeability, contact your customer service representative or visit the Intel Customer Support Web site:

*<http://support.intel.com/support/motherboards/server/SE7500CW2>*

**ESD and handling processors:** Reduce the risk of electrostatic discharge (ESD) damage to the processor by doing the following: (1) Touch the metal chassis before touching the processor or server board. Keep part of your body in contact with the metal chassis to dissipate the static charge while handling the processor. (2) Avoid moving around unnecessarily.

## Adding or Replacing a Processor

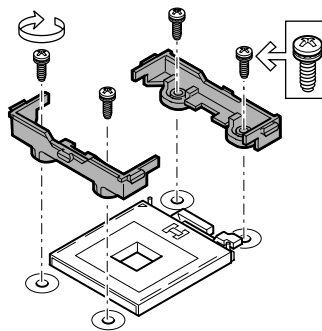
### CAUTION

If you are installing only one processor, it must be installed in the Primary Processor Socket, which is the closest to the corner of the server board.

If you are installing a second processor to your system, you must verify that the second processor is identical to the first processor, same voltage and speed. Using unidentical processors could cause system failure.

### Installing the Retention Brackets

1. Observe the safety and ESD precautions at the beginning of this chapter and the additional precautions given here.
2. Remove power from your system by unplugging the AC power cord.
3. Remove the chassis cover (see your system or chassis documentation for instructions).
4. When installing a processor, insert the retention brackets and tighten the four retention screws.



OM14471

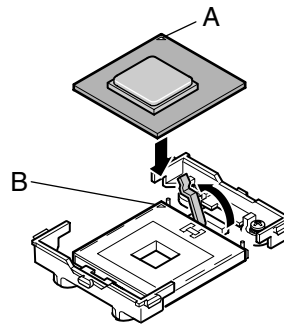
**Figure 23. Installing the Retention Brackets**

## Attaching the Processor

### NOTE

This server board has “zero-insertion-force” sockets. If the processor does not drop easily into the socket holes, make sure the lever is in the full upright position and the processor is oriented properly.

1. Lift the socket lever on the processor.



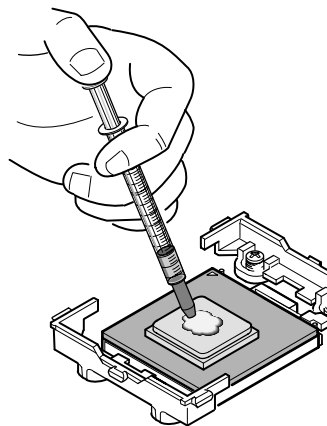
OM14473

**Figure 24. Opening Socket Lever and Attaching Processor**

2. Align the Alignment Triangle Mark (Figure 24, A) on the processor with the Alignment Triangle Cutout on the socket (Figure 24, B).
3. Insert the processor in the socket and close the socket lever.

## Applying Thermal Grease

Apply thermal grease to the processor as shown in Figure 25.

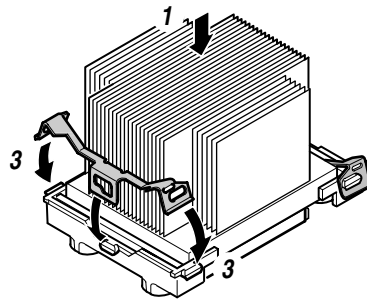


OM14472

**Figure 25. Applying Thermal Grease**

## Attaching the Heat Sink

1. Align the heat sink with the retention brackets and place the heat sink on the processor.



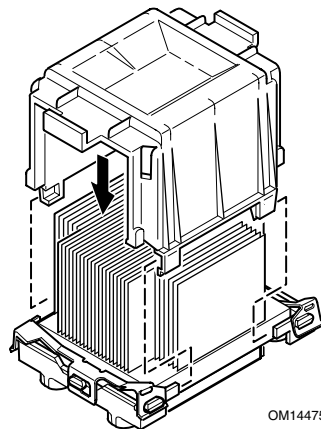
**Figure 26. Attaching the Heat Sink**

2. Position the retention clip over the plastic tab and engage the clip end-slot over the plastic tab.
3. Press downward on the retention clip ends until they engage the plastic tabs.

## Installing the Processor Wind Tunnel

### Attaching the Processor Wind Tunnel Assembly

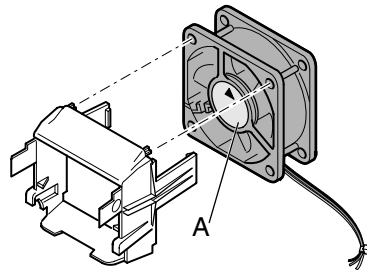
Install the processor wind tunnel center section over the heat sink (Figure 27). Note that the plastic tabs engage the tabs on the retention clips.



**Figure 27. Attaching the Wind Tunnel Assembly**

## Attaching the Heat Sink Fan

Attach the fan to the wind tunnel air intake section as shown in Figure 28. The fan label (Figure 28, A) must point into the air intake section.



OM14476

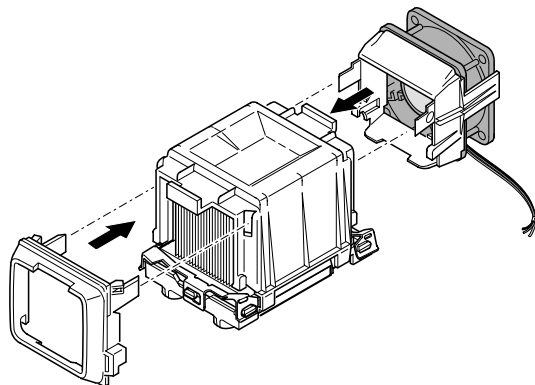
Figure 28. Attaching the Heat Sink Fan

## Attaching Intake and Exhaust Assemblies

### NOTE

System airflow should be from front to back. Make sure the wind tunnel is aligned so the fan is toward the front of the chassis and the airflow is toward the I/O shield. If two processors are installed, the fans should be side by side.

1. Attach the air intake fan assembly to the side of the heat sink wind tunnel nearest to the front of the chassis. Align the tabs on the assembly with the slots in the wind tunnel section, then snap the lower portion of the fan holder over the tabs on the center section.
2. Attach the exhaust portion of the processor wind tunnel assembly.
3. Attach CPU Fan 1 cable to the server board at location J15 and/or attach CPU Fan 2 cable at location J16.



OM14477

Figure 29. Attaching Intake and Exhaust Assemblies

## Removing a Processor

1. Observe the safety and ESD precautions at the beginning of this chapter and the additional cautions given here.
2. Unplug the processor fan cable from the server board.
3. Detach the processor fan from the processor wind tunnel assembly.
4. Remove the both ends of the processor wind tunnel assembly.
5. Remove the center section of the processor wind tunnel assembly.
6. Remove the heat sink from the processor.
7. Raise the socket lever on the socket.
8. Remove the processor from the socket.

## Replacing the Backup Battery

The lithium battery on the server board powers the RTC for up to 10 years in the absence of power. When the battery starts to weaken, it loses voltage, and the server settings stored in CMOS RAM in the RTC (for example, the date and time) may be wrong. Contact your customer service representative or dealer for a list of approved devices.



### **WARNING**

**Danger of explosion if battery is incorrectly replaced. Replace only with the same or equivalent type recommended by the equipment manufacturer. Discard used batteries according to manufacturer's instructions.**



### **ADVARSEL!**

**Lithiumbatteri - Eksplosjonsfare ved feilagtig håndtering. Utskiftning må kun ske med batteri af samme fabrikat og type. Levér det brugte batteri tilbage til leverandøren.**



### **ADVARSEL**

**Lithiumbatteri - Eksplosjonsfare. Ved utskifting benyttes kun batteri som anbefalt av apparatfabrikanten. Brukt batteri returneres apparatleverandøren.**





## WARNING

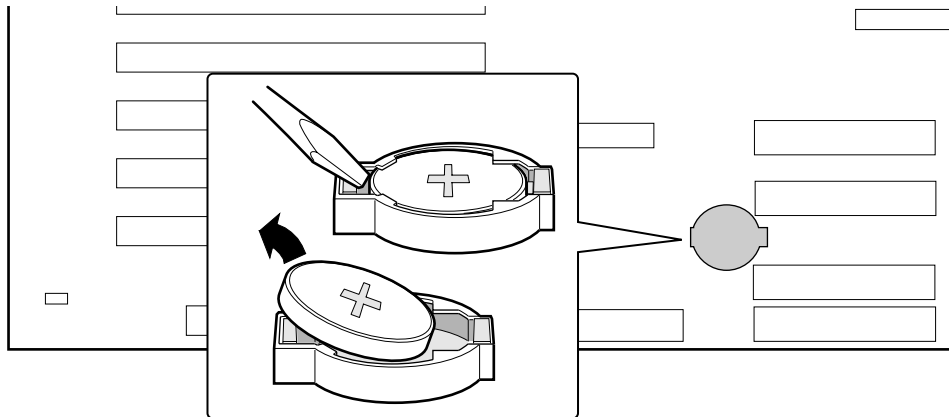
**Explosionsfara vid felaktigt batteribyte. Använd samma batterityp eller en ekvivalent typ som rekommenderas av apparattillverkaren. Kassera använt batteri enligt fabrikantens instruktion.**



## VAROITUS

**Paristo voi räjähtää, jos se on virheellisesti asennettu. Vaihda paristo ainoastaan laitevalmistajan suosittelemaan tyyppiin. Hävitä käytetty paristo valmistajan ohjeiden mukaisesti.**

1. Observe the safety and ESD precautions at the beginning of this chapter.
2. Open the chassis.
3. Insert the tip of a small flat bladed screwdriver, under the tab in the plastic retainer. Gently push down on the screwdriver to lift the battery.
4. Remove the battery from its socket.



**Figure 30. Replacing the Backup Battery**

5. Dispose of the battery according to local ordinance.
6. Remove the new lithium battery from its package, and, being careful to observe the correct polarity, insert it in the battery socket.
7. Close the chassis.
8. Run Setup to restore the configuration settings to the RTC.



# 5 Solving Problems

---

This chapter helps you identify and solve problems that might occur while you are using the system.

## Resetting the System

To do this:	Press:
Soft boot reset, which clears system memory and reloads the operating system.	<Ctrl+Alt+Del>
Clear system memory, restart POST, and reload the operating system.	Reset button
Cold boot reset. Turn the system power off and then on. This clears system memory, restarts POST, reloads the operating system, and halts power to all peripherals.	Power off/on

## Initial System Startup

Problems that occur at initial system startup are usually caused by incorrect installation or configuration. Hardware failure is a less frequent cause.

### Checklist

- Is AC power available at the wall outlet?
- Are the power supplies plugged in? Check the AC cable on the back of the chassis and at the AC source.
- Are all cables correctly connected and secured?
- Are the processors fully seated in their sockets on the server board?
- Are all add-in PCI boards fully seated in their slots on the server board?
- Are all jumper settings on the server board correct?
- Are all jumper and switch settings on add-in boards and peripheral devices correct? To check these settings, refer to the manufacturer's documentation that comes with them. If applicable, ensure that there are no conflicts—for example, two add-in boards sharing the same interrupt.
- Are all peripheral devices installed correctly?
- If the system has a hard disk drive, is it properly formatted or configured?
- Are all device drivers properly installed?
- Are the configuration settings made in Setup correct?
- Is the operating system properly loaded? Refer to the operating system documentation.
- Did you press the system power on/off switch on the front panel to turn the server on (power on light should be lit)?
- Is the system power cord properly connected to the system and plugged into a NEMA 5-15R outlet for 100-120 V~ or a NEMA 6-15R outlet for 200-240 V~?
- Are all integrated components from the tested components lists? Check the tested memory, and chassis lists, as well as the supported hardware and operating system list on the Intel Customer Support Web site.

## Running New Application Software

Problems that occur when you run new application software are usually related to the software. Faulty equipment is much less likely, especially if other software runs correctly.

### Checklist

- Does the system meet the minimum hardware requirements for the software? See the software documentation.
- Is the software an authorized copy? If not, get one; unauthorized copies often do not work.
- If you are running the software from a diskette, is it a good copy?
- If you are running the software from a CD-ROM disk, is the disk scratched or dirty?
- If you are running the software from a hard disk drive, is the software correctly installed? Were all necessary procedures followed and files installed?
- Are the correct device drivers installed?
- Is the software correctly configured for the system?
- Are you using the software correctly?

If the problems persist, contact the software vendor's customer service representative.

## After the System Has Been Running Correctly

Problems that occur after the system hardware and software have been running correctly often indicate equipment failure. Many situations that are easy to correct, however, can also cause such problems.

### Checklist

- If you are running the software from a diskette, try a new copy of the software.
- If you are running the software from a CD-ROM disk, try a different disk to see if the problem occurs on all disks.
- If you are running the software from a hard disk drive, try running it from a diskette. If the software runs correctly, there may be a problem with the copy on the hard disk drive. Reinstall the software on the hard disk, and try running it again. Make sure all necessary files are installed.
- If the problems are intermittent, there may be a loose cable, dirt in the keyboard (if keyboard input is incorrect), a marginal power supply, or other random component failures.
- If you suspect that a transient voltage spike, power outage, or brownout might have occurred, reload the software and try running it again. (Symptoms of voltage spikes include a flickering video display, unexpected system reboots, and the system not responding to user commands.)

 **NOTE**

**Random errors in data files:** If you are getting random errors in your data files, they may be getting corrupted by voltage spikes on your power line. If you are experiencing any of the above symptoms that might indicate voltage spikes on the power line, you may want to install a surge suppressor between the power outlet and the system power cord.

## More Problem Solving Procedures

This section provides a more detailed approach to identifying a problem and locating its source.

### Preparing the System for Diagnostic Testing

 **CAUTION**

**Turn off devices before disconnecting cables:** Before disconnecting any peripheral cables from the system, turn off the system and any external peripheral devices. Failure to do so can cause permanent damage to the system and/or the peripheral devices.

1. Turn off the system and all external peripheral devices. Disconnect all of them from the system, except the keyboard and video monitor.
2. Make sure the system power cord is plugged into a properly grounded AC outlet.
3. Make sure your video display monitor and keyboard are correctly connected to the system. Turn on the video monitor. Set its brightness and contrast controls to at least two thirds of their maximum ranges (see the documentation supplied with your video display monitor).
4. If the operating system normally loads from the hard disk drive, make sure there is no diskette in drive A. Otherwise, place a diskette containing the operating system files in drive A.
5. Turn on the system. If the power LED does not light, see “Power Light Does Not Light” on page 80.

### Monitoring POST

See Chapter 2.

## Verifying Proper Operation of Key System Lights

As POST determines the system configuration, it tests for the presence of each mass storage device installed in the system. As each device is checked, its activity light should turn on briefly. Check for the following:

- Does the diskette drive activity light turn on briefly? If not, see “Diskette Drive Activity Light Does Not Light” on page 80.
- If a second diskette drive is installed, does its activity light turn on briefly? If not, see “Diskette Drive Activity Light Does Not Light” on page 80.

## Confirming Loading of the Operating System

Once the system boots up, the operating system prompt appears on the screen. The prompt varies according to the operating system. If the operating system prompt does not appear, see “No Characters Appear on the Screen” on page 78.

## Specific Problems and Corrective Actions

This section provides possible solutions for these specific problems:

- Power light does not light.
- No characters appear on screen.
- Characters on the screen appear distorted or incorrect.
- System cooling fans do not rotate.
- Diskette drive activity light does not light.
- Hard disk drive activity light does not light.
- CD-ROM drive activity light does not light.
- There are problems with application software.
- The bootable CD-ROM is not detected.

Try the solutions in the order given. If you cannot correct the problem, contact your service representative or authorized dealer for help.

## Power Light Does Not Light

Check the following:

- Is the system operating normally? If so, the power LED is probably defective or the cable from the front panel to the server board is loose.
- Are there other problems with the system? If so, check the items listed under “System Cooling Fans Do Not Rotate Properly.”

If all items are correct and problems persist, contact your service representative or authorized dealer for help.

## No Characters Appear on Screen

Check the following:

- Is the keyboard functioning? Check to see that the “Num Lock” light is functioning.
- Is the video monitor plugged in and turned on?
- Are the brightness and contrast controls on the video monitor properly adjusted?
- Are the video monitor switch settings correct?
- Is the video monitor signal cable properly installed?
- Is the onboard video controller enabled?

If you are using an add-in video controller board, do the following:

1. Verify that the video controller board is fully seated in the server board connector.
2. Reboot the system for changes to take effect.
3. If there are still no characters on the screen after you reboot the system and POST emits a beep code, write down the beep code you hear. This information is useful for your service representative.
4. If you do not receive a beep code and characters do not appear, the video display monitor or video controller may have failed. Contact your service representative or authorized dealer for help.

## Characters Are Distorted or Incorrect

Check the following:

- Are the brightness and contrast controls properly adjusted on the video monitor? See the manufacturer’s documentation.
- Are the video monitor’s signal and power cables properly installed?

If the problem persists, the video monitor may be faulty or it may be the incorrect type. Contact your service representative or authorized dealer for help.

## System Cooling Fans Do Not Rotate Properly

If the system cooling fans are not operating properly, system components could be damaged.

Check the following:

- Is AC power available at the wall outlet?
- Is the system power cord properly connected to the system and the wall outlet?
- Did you press the power button?
- Is the power on light lit?
- Have any of the fan motors stopped (use the server management subsystem to check the fan status)?
- Are the fan power connectors properly connected to the server board?
- Is the cable from the front panel board connected to the server board?
- Are the power supply cables properly connected to the server board?
- Are there any shorted wires caused by pinched-cables or power connector plugs forced into power connector sockets the wrong way?

If the switches and connections are correct and AC power is available at the wall outlet, contact your service representative or authorized dealer for help.

## Diskette Drive Activity Light Does Not Light

Check the following:

- Are the diskette drive's power and signal cables properly installed?
- Are all relevant switches and jumpers on the diskette drive set correctly?
- Is the diskette drive properly configured?
- Is the diskette drive activity light always on? If so, the signal cable may be plugged in incorrectly.

If you are using the onboard diskette controller, use the BIOS setup to make sure that "Onboard Floppy" is set to "Enabled." If you are using an add-in diskette controller, make sure that "Onboard Floppy" is set to "Disabled."

If the problem persists, there may be a problem with the diskette drive, server board, or drive signal cable. Contact your service representative or authorized dealer for help.



## Hard Disk Drive Activity Light Does Not Light

The hard disk drive activity light is not connected to the Server Board SE7500CW2 front panel.

## CD-ROM Drive Activity Light Does Not Light

Check the following:

- Are the CD-ROM drive's power and signal cables properly installed?
- Are all relevant switches and jumpers on the drive set correctly?
- Is the drive properly configured?

## Cannot Connect to a Server

- Make sure you are using the drivers that are shipped on the system Configuration Software CD for the onboard network controller.
- Make sure the driver is loaded and the protocols are bound.
- Make sure the network cable is securely attached to the connector at the system back panel. If the cable is attached but the problem persists, try a different cable.
- Make sure the hub port is configured for the same duplex mode as the network controller.
- Check with your LAN administrator about the correct networking software that needs to be installed.
- If you are directly connecting two servers (no hub), you will need a crossover cable (see your hub documentation for more information on crossover cables).
- Check the network controller LEDs that are visible through an opening at the system back panel.

## Problems with Network

**The server hangs when the drivers are loaded.**

- Change the PCI BIOS interrupts. Try the "PCI Installation Tips" below.

**Diagnostics pass but the connection fails.**

- Make sure the network cable is securely attached.
- Make sure you specify the correct frame type in your NET.CFG file.

**The Activity LED does not light.**

The network activity light is not connected to the Server Board SE7500CW2.

**The controller stopped working when an add-in adapter was installed.**

- Make sure the cable is connected to the port from the onboard network controller.
- Make sure your PCI BIOS is current. Try the "PCI Installation Tips" below.
- Make sure the other adapter supports shared interrupts. Also, make sure your operating system supports shared interrupts.

- Try reseating the add-in adapter.

**The add-in adapter stopped working without apparent cause.**

- Try reseating the adapter first; then try a different slot if necessary.
- The network driver files may be corrupt or deleted. Delete and then reinstall the drivers.
- Run the diagnostics.

## PCI Installation Tips

Some common PCI tips are listed here.

- Certain drivers may require interrupts that are not shared with other PCI drivers. For certain drivers, it may be necessary to alter settings so that interrupts are not shared.

## Problems with Application Software

If you have problems with application software, do the following:

- Verify that the software is properly configured for the system. See the software installation and operation documentation for instructions on setting up and using the software.
- Try a different copy of the software to see if the problem is with the copy you are using.
- Make sure all cables are installed correctly.
- Verify that the server board jumpers are set correctly. See Chapter 5.
- If other software runs correctly on the system, contact your vendor about the failing software.

If the problem persists, contact the software vendor's customer service representative for help.

## Bootable CD-ROM Is Not Detected

Check the following:

- Is the BIOS configured to allow the CD-ROM to be the first bootable device?

## 6 Getting Help

---

### World Wide Web

<http://support.intel.com/support/motherboards/server/SE7500CW2>

### Telephone

All calls are billed US \$25.00 per incident, levied in local currency at the applicable credit card exchange rate plus applicable taxes. (Intel reserves the right to change the pricing for telephone support at any time without notice).

---

<b>In U.S. and Canada</b>		1-800-404-2284	
<hr/>			
<b>In Europe</b>			
UK	0870 6072439	Finland	9 693 79297
France	01 41 918529	Denmark	38 487077
Germany	069 9509 6099	Norway	23 1620 50
Italy	02 696 33276	Sweden	08 445 1251
Spain	91 377 8166	Holland	020 487 4562
<hr/>			
<b>In Asia-Pacific region</b>			
Australia	1800 649931	Indonesian	001-803 65 7249
Hong Kong	852 2 844 4456	Malaysia	1-800 80 1390
Korea	822 767 2595	New Zealand	0800 444 365
PRC	800 820 1100	Pakistan	632 6368415 (IDD via Philippines)
Singapore	65 213-1311	Philippines	1-800 1 651 0117
Taiwan	2 2545-1640	Thailand	1-800 6310003
India	0006517-830 3634	Vietnam	632 6368416 (IDD via Philippines)
<hr/>			
<b>In Japan</b>			
0120-868686 (Domestic)		81-298-47-0800 (outside country)	
<hr/>			
<b>In Latin America</b>			
Brazil	0021-0811-408-5540	Ecuador	999-119, 800-628-8686 (via AT&T)
Mexico	001-800-628-8686	Guatemala	99-99-190, 800-628-8686 (via AT&T)
Colombia	980-9-122-118	Venezuela	800-11-120, 800-628-8686 (via AT&T)
Costa Rica	0-800-011-0395	Argentina	001-800-222-1001, 800-628-8686 (via AT&T)
Panama	001-800-628-8686	Paraguay	008-11, 800-628-8686 (via AT&T)
Chile	800-532-992	Peru	0-800-50000, 800-628-8686 (via AT&T)
Miami	1-800-621-8423	Uruguay	000-410, 800-628-8686 (via AT&T)

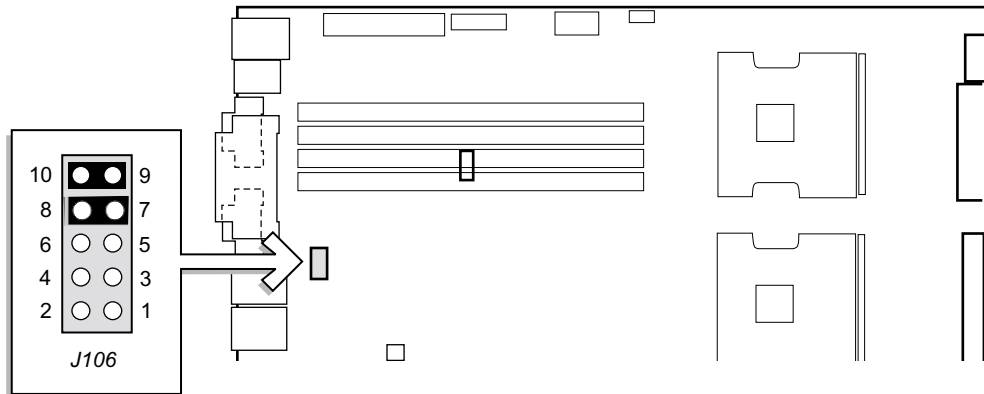
---

For an updated support contact list, please see <http://www.intel.com/support/9089.htm>



# 7 Technical Reference

## Configuration Jumpers



OM14430

**Figure 31. Configuration Jumper Location**

**Table 24. Configuration Jumper (J106)**

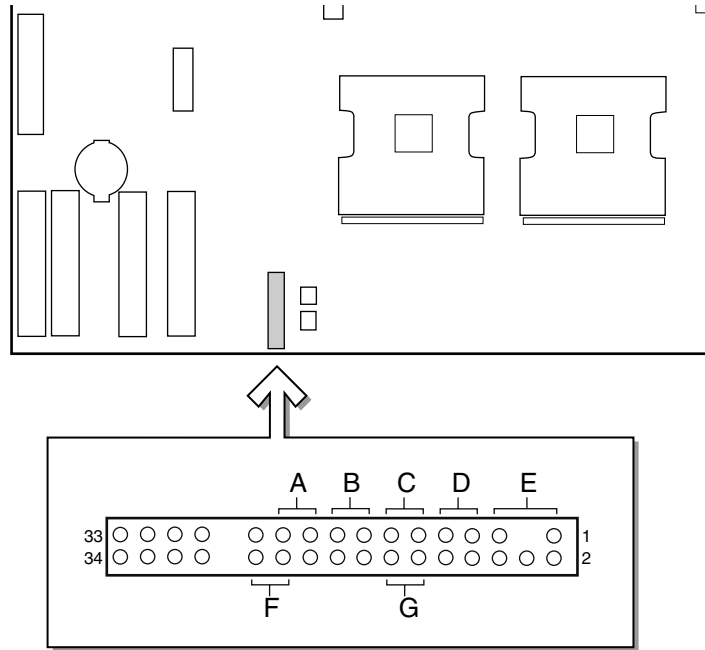
Jumper Name	Pins	What happens at system reset
BIOS Recovery	1-2	If these pins are jumpered, the system will attempt BIOS recovery. These pins should <b>not</b> be jumpered for normal operation.
Password Clear	3-4	If these pins are jumpered, the password will be cleared on the next reset. These pins should <b>not</b> be jumpered for normal operation.
CMOS clear	5-6	If these pins are jumpered, the CMOS settings will be cleared on the next reset. These pins should <b>not</b> be jumpered for normal operation.
BIOS Boot Block Write Protect	7-8	These pins, when jumpered, protect the BIOS Boot Block code. If it becomes necessary to update the BIOS Boot Block, this jumper should be removed during the update process. These pins should be jumpered for normal operation.  NOTE: This jumper should remain in place for normal BIOS operational code updates.
Default	9-10	These pins are for normal operation.

 **NOTE**

The jumper should remain on pins 7-8 at all times until you are instructed to perform a BIOS Boot Block update. At this time, remove the jumper, run the BIOS update, and then replace the jumper when completed.

# Front Panel Header

The front panel header provides connection to the front panel for power switching and LED operation.



OM14434

- A. Sleep Switch
- B. Reset Switch
- C. Power Switch
- D. HDD LED
- E. Power LED
- F. NIC 2 LED
- G. NIC 1 LED

**Figure 32. Front Panel Header Connection Location**

**Table 25. Front Panel Header Connection Descriptions**

Location	Pins	Description
A	19 & 21	Pressing the sleep button immediately puts the server board into the sleep mode
B	15 & 17	Pressing the reset button restarts the boot process
C	11 & 13	Pressing the power switch removes all by standby power from the board
D	7 & 9	LED show hard disk drive activity
E	1 & 5	LED shows power on
F	22 & 24	LED shows network interface controller activity
G	12 & 14	LED shows network interface controller activity

# 8 Regulatory and Integration Information

---

## Product Regulatory Compliance

### Product Safety Compliance

The Server Board SE7500CW2 complies with the following safety requirements:

- UL 1950 - CSA 950 (US/Canada)
- EN 60 950 (European Union)
- IEC60 950 (International)
- CE – Low Voltage Directive (73/23/EEC) (European Union)
- EMKO-TSE (74-SEC) 207/94 (Nordics)
- GOST R 50377-92 (Russia)

### Product EMC Compliance

The Server Board SE7500CW2 has been tested and verified to comply with the following electromagnetic compatibility (EMC) regulations when installed a compatible Intel® host system. For information on compatible host system(s) refer to Intel's Server Builder Web site or contact your local Intel representative.

- FCC (Class A Verification) – Radiated & Conducted Emissions (USA)
- ICES-003 (Class A) – Radiated & Conducted Emissions (Canada)
- CISPR 22, 3<sup>rd</sup> Edition (Class A) – Radiated & Conducted Emissions (International)
- EN55022 (Class A) – Radiated & Conducted Emissions (European Union)
- EN55024 (Immunity) (European Union)
- CE – EMC Directive (89/336/EEC) (European Union)
- VCCI (Class A) – Radiated & Conducted Emissions (Japan)
- AS/NZS 3548 (Class A) – Radiated & Conducted Emissions (Australia / New Zealand)
- RRL (Class A) Radiated & Conducted Emissions (Korea)
- BSMI CNS13438 (Class A) Radiated & Conducted Emissions (Taiwan)
- GOST R 29216-91 (Class A) Radiated & Conducted Emissions (Russia)
- GOST R 50628-95 (Immunity) (Russia)

## Product Regulatory Compliance Markings

This product is marked with the following Product Certification Markings:

**Table 26. Product Certification Markings**

UL Recognition Mark	
CE Mark	
Russian GOST Mark	
Australian C-Tick Mark	
BSMI DOC Marking	
BSMI EMC Warning	警告使用者： 這是甲類的資訊產品，在居住的環境中使用時， 可能會造成射頻干擾，在這種情況下，使用者會 被要求採取某些適當的對策
RRL MIC Mark	

## Electromagnetic Compatibility Notices

### FCC (USA)

This device complies with Part 15 of the FCC Rules. Operation is subject to the following two conditions: (1) this device may not cause harmful interference, and (2) this device must accept any interference received, including interference that may cause undesired operation.

For questions related to the EMC performance of this product, contact:

Intel Corporation  
5200 N.E. Elam Young Parkway  
Hillsboro, OR 97124  
1-800-628-8686



This equipment has been tested and found to comply with the limits for a Class A digital device, pursuant to Part 15 of the FCC Rules. These limits are designed to provide reasonable protection against harmful interference in a residential installation. This equipment generates, uses, and can radiate radio frequency energy and, if not installed and used in accordance with the instructions, may cause harmful interference to radio communications. However, there is no guarantee that interference will not occur in a particular installation. If this equipment does cause harmful interference to radio or television reception, which can be determined by turning the equipment off and on, the user is encouraged to try to correct the interference by one or more of the following measures:

- Reorient or relocate the receiving antenna.
- Increase the separation between the equipment and the receiver.
- Connect the equipment to an outlet on a circuit other than the one to which the receiver is connected.
- Consult the dealer or an experienced radio/TV technician for help.

Any changes or modifications not expressly approved by the grantee of this device could void the user's authority to operate the equipment. The customer is responsible for ensuring compliance of the modified product.

Only peripherals (computer input/output devices, terminals, printers, etc.) that comply with FCC Class A or B limits may be attached to this computer product. Operation with noncompliant peripherals is likely to result in interference to radio and TV reception.

All cables used to connect to peripherals must be shielded and grounded. Operation with cables, connected to peripherals, that are not shielded and grounded may result in interference to radio and TV reception.

## **INDUSTRY CANADA (ICES-003)**

This digital apparatus does not exceed the Class A limits for radio noise emissions from digital apparatus set out in the interference-causing equipment standard entitled: "Digital Apparatus," ICES-003 of the Canadian Department of Communications.

Cet appareil numérique respecte les limites bruits radioélectriques applicables aux appareils numériques de Classe A prescrites dans la norme sur le matériel brouilleur: "Appareils Numériques", NMB-003 édictée par le Ministre Canadian des Communications.

## **Europe (CE Declaration of Conformity)**

This product has been tested in accordance too, and complies with the Low Voltage Directive (73/23/EEC) and EMC Directive (89/336/EEC). The product has been marked with the CE Mark to illustrate its compliance.

## **Taiwan Declaration of Conformity**

This product has been tested and complies with CNS13438. The product has been marked with the BSMI DOC mark to illustrate compliance.

## Korean RRL Compliance

This product has been tested and complies with MIC Notices No. 1997-41 and 1997-42. The product has been marked with the MIC logo to illustrate compliance.



1. 기기의 명칭(모델명) :
2. 인증번호 :
3. 인증받은 자의 상호 :
4. 제조년월일 :
5. 제조자/제조국가 :

The English translation for the above is as follows:

1. Type of Equipment (Model Name): SE7500CW2
2. Certification No.: Contact Intel Representative
3. Name of Certification Recipient: Intel
4. Date of Manufacturer: Marked on Product
5. Manufacturer / Nation : Intel

## Australia / New Zealand

This product has been tested and complies with AS/NZS 3548. The product has been marked with the C-Tick mark to illustrate compliance.

# Index

---

## A

ACPI, 17  
APIC, 12  
ATI Rage IIC, 16  
audible beep error codes, 21

## B

Back Panel Connectors, 9  
battery  
    disposing of safely, 72  
    installing, 73  
    removing, 72  
beep codes, 21  
BIOS, 13, 16, 17, 18, 44, 45  
    changing the language, 45  
    recovering, 44  
    upgrading, 42, 44  
bootable media, required by POST, 21  
booting cold, 75  
Bridge, 7

## C

Caution  
    avoid damaging jumpers when changing, 48, 66  
    avoid touching processor pins, 67  
    selecting correct processor, 67  
CMOS, 45  
    clear to reconfigure diskette drive, 22  
CNB20HE-SL, 12  
Configuration, 17, 23  
configuring server board jumpers, location on server board, 85  
configuring system, Setup, 21  
controller, 13, 16  
    network, 7, 16  
    video, 7  
CSB5, 12

## D-F

diagnostics, preparing system for testing, 77  
DIMM, 14  
diskette  
    reconfiguring if cannot enter Setup, 22  
    running SCU from, 21  
ECC, 14  
ESD  
    add-in boards, 48, 65  
    avoiding damage to product, 47, 65  
    do not touch processor pins, 67  
Ethernet, 7, 16  
Exit menu, configuring, Setup, 41  
fan, heat sink, disconnecting, 72  
feature summary, back panel connectors, 9  
Flip Chip Pin Grid Array, 7  
form factor, 8  
front panel header, location on server board, 86  
Front Panel reset, 18

## G-J

Getting Help, 83  
Hardware Monitoring, 46  
heat sink, fan, 72  
I/O  
    PCI expansion slots, 7  
    ports provided, 8  
IDE interface, 12  
IMB bus, 12  
Intel 82559, 7, 16  
Interrupt, 12  
JEDEC, 14  
jumpers, do not damage when changing, 48, 66

## L-N

language, changing in BIOS, 45

lithium backup battery

disposing of safely, 72

installing, 73

removing, 72

LPC, 12

memory, 14

amount tested, POST, 21

capacity, 7

video amount, 7

what type to install, 7

network, controller, 7, 16

North Bridge, 7, 12

NVRAM, 41

## P

password, 18, 19

administrator, 19

PCI

embedded devices, 7

expansion slots, 7

POST, 45

bootable media required, 21

memory, amount tested, 21

Power management, 12

Power-on Self-Test, *See* POST, 45

problems

after running new application software, 76

after system has been running correctly,  
76

application software, 82

bootable CD-ROM not detected, 82

cannot connect to network server, 81

CD-ROM drive activity light, 81

confirm OS loading, 78

diskette drive light, 80

hard drive light, 81

initial system startup, 75

network, 81

no characters on screen, 79

PCI installation tips, 82

power light, 78

preparing system for diagnostic testing, 77

random error in data files, 77

screen characters incorrect, 79

system cooling fans do not rotate, 80

system lights, 78

processor

packaging, 7

removing, 68, 72

selecting the correct processor, 67

processor(s), what type to install, 7

## R-S

real time clock, running SCU to configure  
settings, 73

Recovery, 45

reset system, 75

RTC, 17

SDRAM, 14

Sensor Event, 18

Serial, 13

server board

component locations, figure, 10

configurations, 85

ServerWorks ServerSet III LE chipset, 7

Setup

Advanced menu, 27

cannot enter, need to reconfigure diskette,  
22

changing configuration, 21

description, 22

Exit menu, 41

Main menu, 25

Security Menu, 38, 40, 41

Setup Utility, 17

SGRAM, 16

soft boot, 75

South Bridge, 7, 12

Switches

DC power, 75

reset, 75

## T-W

Transfer Mode, 26

upgrade Flash utility, 43

USB, 8

utilities, Setup, 21, 22

video, memory, 7

video controller, 7

Warning

components may be hot, 67

dispose of lithium battery safely, 72

ESD can damage product, 47, 65