

Intel® SR2050 Chassis Subassembly Product Guide

**A Guide for Technically Qualified Assemblers of Intel® Identified
Subassemblies/Products**

Order Number: A38029-001

Disclaimer

Information in this document is provided in connection with Intel products. No license, express or implied, by estoppel or otherwise, to any intellectual property rights is granted by this document. Except as provided in Intel's Terms and Conditions of Sale for such products, Intel assumes no liability whatsoever, and Intel disclaims any express or implied warranty, relating to sale and/or use of Intel products including liability or warranties relating to fitness for a particular purpose, merchantability, or infringement of any patent, copyright or other intellectual property right. Intel products are not designed, intended or authorized for use in any medical, life saving, or life sustaining applications or for any other application in which the failure of the Intel product could create a situation where personal injury or death may occur. Intel may make changes to specifications and product descriptions at any time, without notice.

The SR2050 Chassis may contain design defects or errors known as errata which may cause the product to deviate from published specifications. Current characterized errata are available on request.

† Third party brands and names are property of their respective owners.

Copyright © 2000, Intel Corporation. All Rights Reserved.

Contents

1 Introduction	9
2 System Description	
Chassis	11
External View	12
Front Panel	12
Back Panel	13
Internal View	14
Power Supply	15
System Cooling	15
Security	15
Optional Peripherals	16
Hot-Swappable Hard Disk Drives	16
Fixed Drives	16
3 Assembling the System	
Before You Begin	17
Tools and Supplies Needed	17
Installation / Assembly Safety Instructions	17
Use Only for Intended Applications	18
Checking the Power Cords	18
Warnings and Cautions	19
Installing the Server Board	21
Removing the Cover	21
Installing the Server Board	22
L440GX+	26
STL2	29
Installing the Riser Card for the L440GX+	30
Installing the Riser Card for the STL2	32
Installing the Speaker	34
Cabling the L440GX+	35
Power Cable	35
Connect Cables to the Front Panel Board	36
Connect the SCSI Cable	37
Connect Cables to the Server Board	38
Cabling the STL2	39
Power Cable	39
Connect Cables to the Front Panel Board	40

Connect the SCSI Cable	41
Connect Cables to the Server Board.....	42
Adding Components to the Server Board	43
Reattaching the Cover.....	43
Installing Optional Peripherals and Devices	44
Hard Drives	44
Fixed Drives	47
Add-In Cards	50
4 Installing the System.....	53
5 Operating the System	
Opening and Closing the Bezel.....	62
Locking and Unlocking the Bezel	63
Using the Front Panel Controls and Indicators	63
6 Maintaining the System	
Safety: Before You Remove the Cover	66
Bezel.....	67
Removing the Bezel	67
Attaching the Bezel	69
Front Panel Board.....	72
Hot-Swap Backplane	73
Fans	77
CD-ROM.....	78
Removing the CD-ROM Drive	78
Installing a CD-ROM Drive	79
Server Board.....	81
Replacing the Server Board	81
Power Supply.....	82
Replacing the Power Supply	82
Replacing the Power Distribution Board	83
A Regulatory and Certification Information	
Product Regulatory Compliance.....	85
Product Safety Compliance	85
Product EMC Compliance	86
Product Regulatory Compliance Markings.....	86
Electromagnetic Compatibility Notices	87
FCC Verification Statement (USA)	87
ICES-003 (Canada).....	88
Europe (CE Declaration of Conformity)	88

VCCI (Japan)	88
BSMI (Taiwan)	89
Lithium Battery Replacement	89
Regulated Specified Components	90
Equipment Rack Precautions	91
B Equipment Log and Worksheets	
Equipment Log	93
Current Usage	95
Calculating Power Usage	95
Worksheet, Calculating DC Power Usage	95
Worksheet, Total Combined Power Used by the System	96
C Safety Warnings	
WARNING: English (US)	98
AVERTISSEMENT: Français	100
WARNUNG: Deutsch	102
AVVERTENZA: Italiano	104
ADVERTENCIAS: Español	106
D Warranty	
Limited Warranty for Intel® Chassis Subassembly Products	109
Extent of Limited Warranty	110
Warranty Limitations and Exclusions	110
Limitations of Liability	110
How to Obtain Warranty Service	111
Telephone Support	112
Returning a Defective Product	113
Figures	
1. Front View of the SR2050	12
2. Back View of the SR2050	13
3. Major Internal Components of SR2050	14
4. Opening the Cover	21
5. Removing the Riser Card Mounting Bracket	22
6. Installing the I/O Shield	23
7. Removing the Fan Assembly Mounting Screws	24
8. Removing the Fan Assembly from Chassis Tabs	25
9. Install a Standoff	26
10. Mounting the L440GX+ Server Board	27
11. Mounting the STL2 Server Board	29
12. Attaching the L440GX+ Riser Card to the Bracket	30
13. Installing the L440GX+ Riser Card	31

14.	Attaching the STL2 Riser Card to the Bracket	32
15.	Installing the STL2 Riser Card.....	33
16.	Installing the Speaker.....	34
17.	Routing the Power Cable (L440GX+)	35
18.	Connecting Cables to the Front Panel Board (L440GX+)	36
19.	Connecting the SCSI Cable (L440GX+)	37
20.	Connecting Cables to the Server Board (L440GX+)	38
21.	Routing the Power Cable (STL2).....	39
22.	Connecting Cables to the Front Panel Board (STL2).....	40
23.	Connecting the SCSI Cable (STL2).....	41
24.	Connecting Cables to the Server Board (STL2)	42
25.	Removing the Hard Drive Carrier from the Chassis.....	44
26.	Removing the Air Baffles.....	45
27.	Attaching the Drive to the Carrier	46
28.	Removing Fixed Drive Tray	47
29.	Installing a Drive into the Fixed Drive Tray	48
30.	Installing the Fixed Drive into the Chassis	49
31.	Removing the Slot Cover Retention Bracket	50
32.	Installing an Add-In Card.....	51
33.	Using the Add-in Card Guide	52
34.	Chassis Rail System	53
35.	Aligning Rail to Chassis.....	54
36.	Chassis Rear and Side View.....	54
37.	Rail Brackets.....	55
38.	Attaching Rail Brackets to the Cabinet Rack	55
39.	Attaching Outer Pieces to the Rail Brackets	56
40.	Attaching the Rail System to the Rear Rail Bracket.....	57
41.	Extending the Rails	58
42.	Guiding the Chassis into the Rack	59
43.	Chassis Mounted into the Rack.....	60
44.	Opening the Bezel.....	62
45.	Front Panel Controls and Indicators	63
46.	Lowering the Bezel.....	67
47.	Removing Hinge Pegs from Bezel Mounts	68
48.	Removing the Bezel Mount	69
49.	Bezel Mounting Hardware	69
50.	Attaching the Bezel Mount	70
51.	Extending the Bezel Hinges	71
52.	Attaching the Bezel	71
53.	Replacing the Front Panel Board	72
54.	Uncabling the Hot Swap Backplane	73
55.	Removing the Hot Swap Bay	74

56.	Removing the Hot Swap Backplane	75
57.	Reinstalling the Hot Swap Bay	76
58.	Replacing a Fan.....	77
59.	Removing the CD-ROM Drive	78
60.	Removing a CD-ROM Drive from the CD-ROM Tray.....	79
61.	Installing a CD-ROM Drive	80
62.	Replacing the Power Supply	82
63.	Removing the Power Supply Board.....	84

Tables

1.	Power Usage Worksheet 1.....	95
2.	Power Usage Worksheet 2.....	96

1 Introduction

The SR2050 2U server chassis provides security and environmental features specifically designed for server applications. The SR2050 comes in kit form and contains the following features:

- Base server chassis with:
 - Front bezel
 - Two-fan cooling system
 - 275W PFC power supply
 - A PCI riser card for use with the Intel® Server Board L440GX+
 - A PCI riser card for use with the Intel® Server Board STL2
 - Two hot swappable 1-inch SCSI hard drive carriers with drive blanks (baffles)
 - Two hot swappable 1.6-inch SCSI hard drive carriers with drive blanks (baffles)
 - Ultra2/Ultra160 SCSI backplane with SAF-TE supporting up to 4 SCA drives
 - One empty 3.5-inch drive bay which supports either a standard floppy, a 1-inch drive or other half height peripheral
 - Beige half-height ("slim-line") CD-ROM drive with IDE interface
- Cables:
 - Power cord (U.S. version)
 - Ultra2/Ultra160 SCSI cable (non-terminated for baseboard to backplane connection)
 - Front panel cable
 - I2C cable
 - Chassis intrusion cable
 - Motherboard power harness
 - Sleep button cable
- Sliding rail mount kit

2 System Description

The SR2050 system consists of the following major components:

- The chassis and its subassemblies, device bays, and front bezel
- A slim-line CD-ROM drive
- The power supply
- The cooling system

To complete the system you must add a server board and optional peripherals and devices. The following subsections take you on a tour of each of these components.

Chassis

The major component of the kit is the chassis, which comes pre-assembled with the exception of the server board and optional peripherals. Before adding these devices, it is important to become familiar with the chassis both externally and internally and the security features it provides.

⇒ **NOTE**

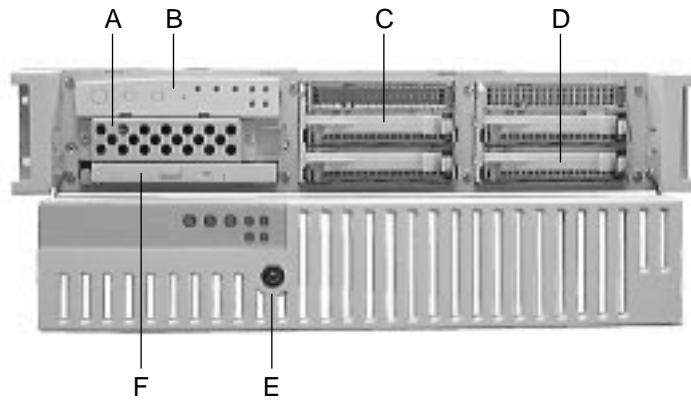
The following sections provide a high-level overview of the chassis. For a more detailed, technical description, contact your Intel representative about how to receive or gain access to the *Intel® SR2050 KDK Server Chassis Technical Product Specification*.

External View

Externally, the SR2050 chassis has a front bezel that provides a cover for its front panel and peripheral devices and a back panel that houses its connectors and access to its power supply.

Front Panel

The front panel controls and indicators are located behind the front bezel of the system as shown in Figure 1. You can access the panel and the system peripherals by grasping the bezel at its edges and gently pulling it towards you.



OM09733

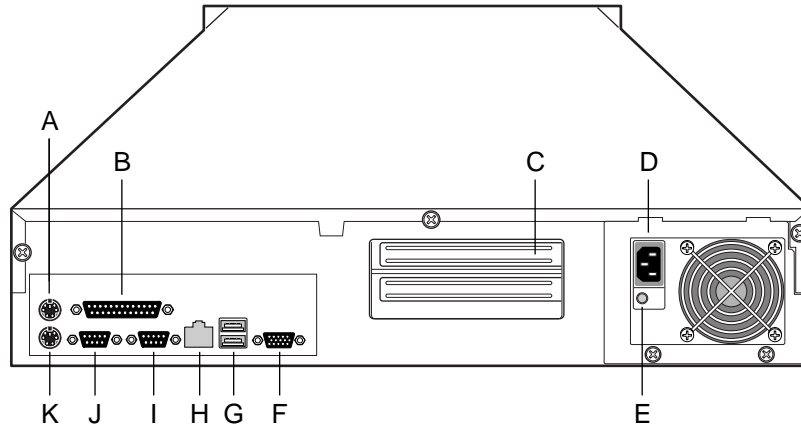
- | | |
|--|--|
| A. 3.5-inch peripheral bay | D. 1-inch hot swap drive bay
(up to 2 drives) |
| B. Control panel | E. Bezel lock |
| C. 1.6-inch hot swap drive bay
(up to 2 drives) | F. Slim line CD-ROM drive |

Figure 1. Front View of the SR2050

For a description of the control panel and its controls and indicators, refer to “Using the Front Panel Controls and Indicators” on page 63.

Back Panel

The back panel provides connectors for the server board, slots for add-in cards, and the power supply for the server. Figure 2 identifies the features of the back panel.



OM09656

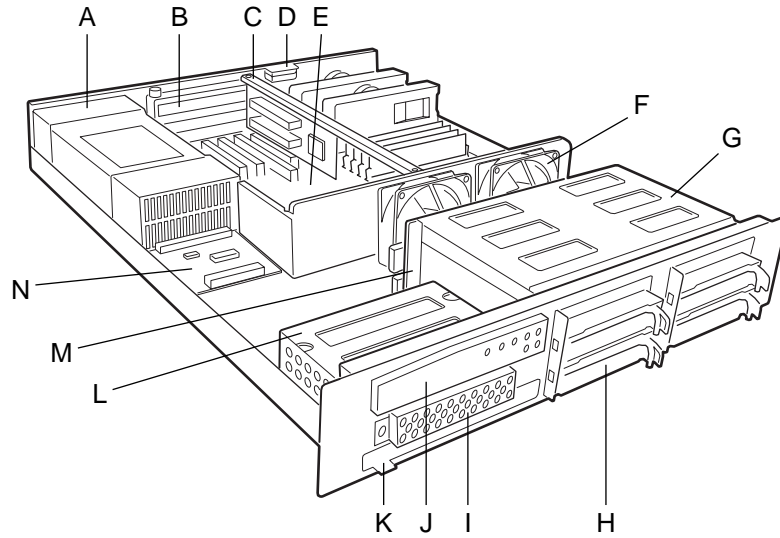
- | | |
|---------------------------------|---------------------------------|
| A. Mouse connector | G. USB connectors |
| B. Parallel Port connector | H. RJ45 Network connector |
| C. PCI Expansion slots | I. Serial port connector (Com1) |
| D. AC input power connector | J. Serial port connector (Com2) |
| E. Power supply fault indicator | K. Keyboard connector |
| F. Video connector | |

Figure 2. Back View of the SR2050

L440GX+ server board shown. Your board may vary.

Internal View

Internal to the chassis are all the major components of the system. These include the peripheral bays, the server board area, a riser card for adding PCI cards, the fan assembly, and the power supply. Figure 3 depicts the major chassis components and their locations.



OM09307

- | | |
|---------------------------------------|---|
| A. Power supply | H. Hard drives (up to four) |
| B. PCI expansion slots | I. EMI shield |
| C. Riser card | J. Control panel |
| D. Intrusion switch | K. Slim line CD-ROM drive |
| E. Server board (accessory to system) | L. Bay assembly for CD-ROM and 3.5-inch drive |
| F. Fan assembly | M. Hot swap backplane |
| G. Hot swap peripheral bay | N. Power distribution board |

Figure 3. Major Internal Components of SR2050

Power Supply

Within the chassis is a power supply and a power distribution board. The supply provides 275-watts of power and is designed to minimize EMI. The supply operates within the following voltage ranges and is rated as follows:

- 100-120 V~ at 50/60 Hertz (Hz); 4.6 A maximum
- 200-240 V~ at 50/60 Hz; 2.3 A maximum

The DC output voltages of the power supply are +5.125 V, +12 V, +3.3 V, -5 V, -12 V, and +5 V standby. The power supply features a 24-pin main power connector and a 6-pin auxiliary ATX power connector.

System Cooling

The chassis includes two system fans for cooling and airflow. Both fans provide cooling for the processor(s), hard drives, and add-in cards. The power supply contains its own built-in fan for cooling. As shown in Figure 3, two 80 mm fans are located in the middle of the chassis to pull cooling air through the length of the chassis.

Security

To help prevent unauthorized entry or use of the system, the chassis includes a mechanical lock on the front bezel to prevent access to the system's peripherals and control panel. The chassis also includes an intrusion switch that can be monitored by server management software. When the top cover is opened, the switch transmits a signal to the server board, where server management software processes the signal. For example, the system can be programmed to respond to an intrusion by powering down or by locking the keyboard.

Optional Peripherals

In addition to the slim line CD-ROM drive that comes with it, the chassis provides for a variety of peripherals that can be added to the system. The following describes the available options.

Hot-Swappable Hard Disk Drives

The chassis provides a hot-swap bay for the installation of up to four 3.5-inch SCSI hard drives. A major feature of the hot swap bay is the backplane which powers down a drive when a failure is detected and reported to the SCSI bus. When a new drive is inserted, the power control waits a short time for the drive to become fully seated and then applies power to the drive. The backplane provides signals to the control panel to indicate failure status for each drive in the bay.

Either four 1-inch high or two 1-inch high and two 1.6-inch high, 3.5-inch SCA-compatible SCSI hard drives can be installed in the bay. Drives can consume up to 17 watts of power each. Drives must be specified to run at a maximum ambient temperature of 50 °C.

The chassis ships with four drive carriers for mounting the separately purchased hard drives. For information on how to install these drives, refer to page 44.

Fixed Drives

The chassis provides a bay for installing one of many types of 3.5-inch fixed (i.e. non-hot swappable) drives including a diskette drive, zip drive, tape drive, or an additional hard drive. The chassis includes a drive tray for installing the device, which must be purchased separately. For information on how to install a fixed drive, refer to page 47.

3 Assembling the System

Before the SR2050 can be installed for use, you must assemble the hardware components that make up your particular system. Minimally, you must install a server board with the desired number of processors and memory. Additionally, you will want to add any peripherals and add-in cards purchased for the system. The following procedures help guide you through this assembly process and create your desired system configuration.

Before You Begin

Before you start the assembly process you will need to have the right tools available to you and you will need to make sure you follow certain basic safety precautions.

Tools and Supplies Needed

Before beginning your work, make sure you have the following tools and supplies available:

- Phillips (cross head) screwdriver (#2 bit)
- Anti-static wrist strap (recommended)
- SR2050 subassembly kit
- Server board kit
- Processors and memory you purchased separately to add to the server board
- Optional peripherals and add-in cards you want to include in the system

Installation / Assembly Safety Instructions



CAUTION

Integration / servicing of this chassis sub-assembly shall be performed only by technically qualified persons.

Follow these guidelines to meet and maintain safety and product regulatory requirements when integrating this chassis subassembly.

Read and adhere to all of these instructions and the instructions supplied with this assembly. If you do not follow these instructions, the UL listing and other regulatory approvals will be void, and the product will most likely be non-compliant with regional product laws and regulations.

Use Only for Intended Applications

This product was evaluated as Information Technology Equipment (ITE) that may be installed in offices, homes, schools, computer rooms and similar locations. The suitability of this product for other Product Categories and Environments other than ITE applications, (such as medical, industrial, alarm systems, and test equipment) may require further evaluation.

When you integrate this subassembly, observe all warnings and cautions in the Installation Guide.

To avoid injury, be careful of:

- Sharp pins on connectors
- Sharp pins on printed circuit assemblies
- Rough edges and sharp corners on the chassis
- Hot components (like processors, voltage regulators, and heat sinks)
- Damage to wires that could cause a short circuit

Checking the Power Cords



WARNING

Do not attempt to modify or use the supplied AC power cord(s) if it is not the exact type required.

The power supply cords are the main disconnect device to mains (AC power). The socket outlet shall be installed near the equipment and shall be readily accessible.

If the power cord(s) supplied with the system is not compatible with the AC wall outlet in your region, get one that meets the following criteria:

- The cord must be rated for the available AC voltage and have a current rating that is at least 125% of the current rating of the server.
- The plug on the power cord that plugs into the wall outlet must be a grounding-type male plug designed for use in your region. It must have certification marks showing certification by an agency acceptable in your region.
- The connector that plugs into the AC receptacle on the power supply must be an IEC 320, sheet C13, type female connector.
- In Europe, the cord must be less than 4.5 meters (14.76 feet) long, and it must be flexible <HAR> (harmonized) or VDE certified cordage to comply with the chassis' safety certifications.

Warnings and Cautions

These warnings and cautions apply whenever you remove the access cover to access components inside the server. Only a technically qualified person should integrate and configure the server.



WARNING / BEFORE YOU REMOVE THE ACCESS COVER

Before removing the access cover for any reason, observe these safety guidelines.

- 1. Turn off all peripheral devices connected to the server.**
- 2. Turn off the server by pressing the power button on the front of the chassis. Then unplug the AC power cord from the chassis or wall outlet.**
- 3. Label and disconnect all peripheral cables and all telecommunication lines connected to I/O connectors or ports on the back of the chassis.**
- 4. Provide some electrostatic discharge (ESD) protection by wearing an antistatic wrist strap attached to chassis ground—any unpainted metal surface—when handling components.**

 **WARNING**

The power button on the front panel **DOES NOT** turn off the AC power. To remove power from server, you must unplug the AC power cord(s) from the wall outlet or the chassis.

 **WARNING**

Hazardous electrical conditions may be present on power, telephone, and communication cables. Turn off the server and disconnect the power cords, telecommunications systems, networks, and modems attached to the server before opening it. Otherwise, personal injury or equipment damage can result.

 **WARNING**

Do not open the power supply. Risk of electric shock and burns from high voltage and rapid overheating. Refer servicing of the power supply to qualified technical personnel

Installing the Server Board

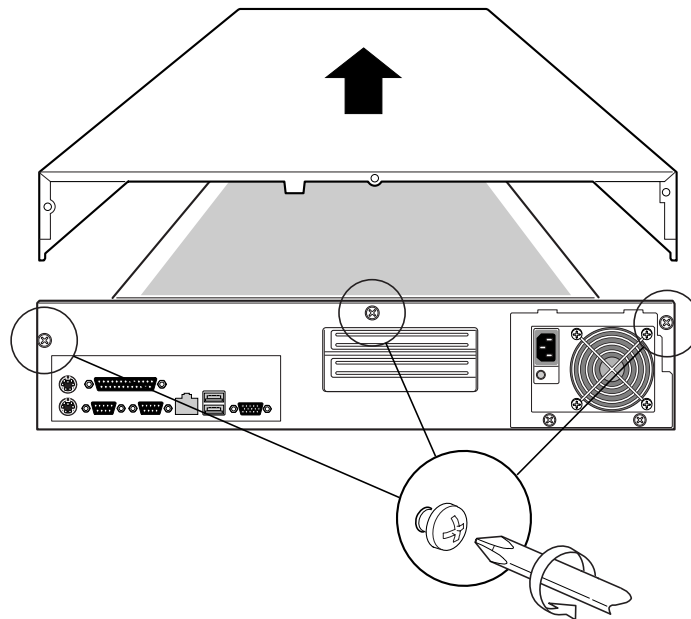
Installing the server board consists of the following steps:

1. Removing the cover.
2. Adding a standoff (L440GX+).
3. Mounting the server board in the chassis.
4. Cabling the server board to the other chassis components.
5. Adding processors and memory to the server board.
6. Replacing the cover.

Removing the Cover

To remove the top cover of the system:

1. Remove and save the three screws on the rear of the system.
2. Pull the cover back and remove it from the chassis.
3. Set chassis cover and screws aside and away from immediate work area.

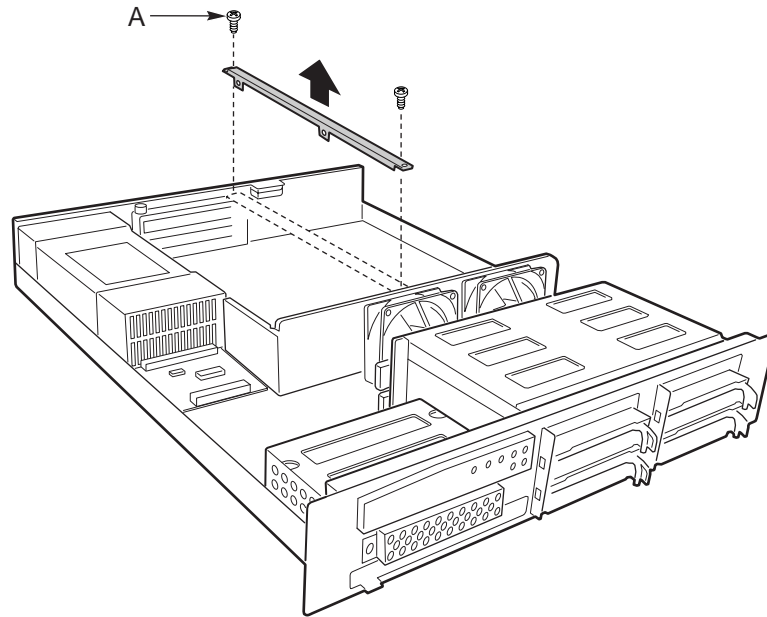


OM09655

Figure 4. Opening the Cover

Installing the Server Board

1. Remove the two mounting screws that hold the riser card mounting bracket in the chassis and save the screws.
2. Remove the riser card bracket (A) from the chassis to give you full access to the server board area.



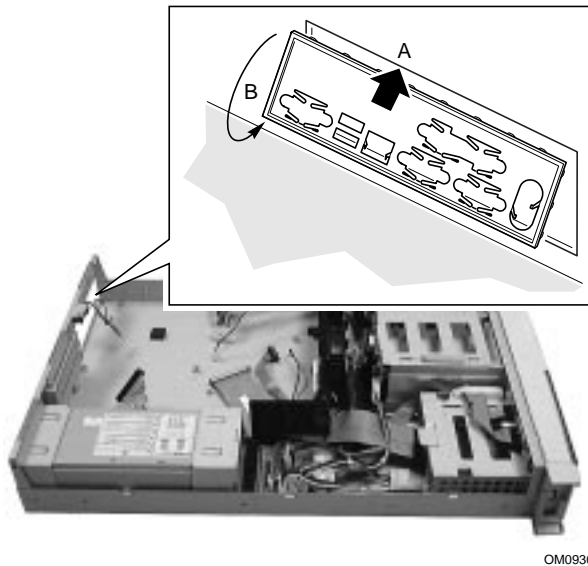
OM10718

Figure 5. Removing the Riser Card Mounting Bracket

3. Remove the I/O shield from the bag that comes from your server board kit.
4. Working from the inside of the chassis, position the I/O shield in the lower rear chassis opening and snap it into place.

⇒ **NOTE**

To position the shield correctly, the outline of the connectors on the I/O shield should be viewable from the chassis opening.



OM09309

Figure 6. Installing the I/O Shield

5. Remove the mounting screws for the fan assembly and save the screws. Removing the mounting screws lets you move the fans out of the way letting you slide the server board into place.

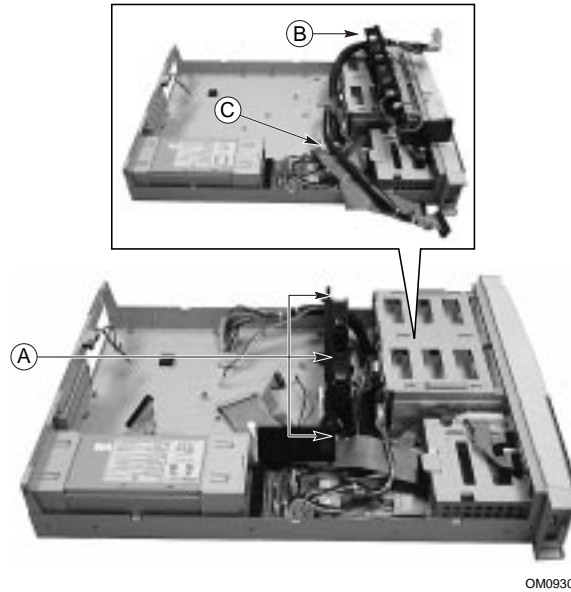
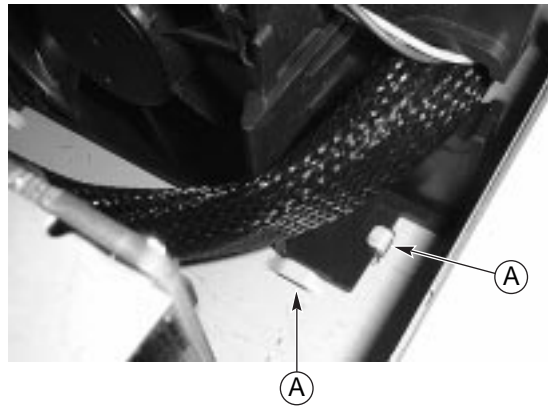


Figure 7. Removing the Fan Assembly Mounting Screws

6. Pull fan assembly out of tab slot on the floor of chassis (A in Figure 8).
7. Lay the fan assembly on top of the hard drive chassis assembly (B in Figure 7). Make sure all cabling is pulled back and away from the server board area (C in Figure 7).
8. Remove the server board from its protective anti-static bag.

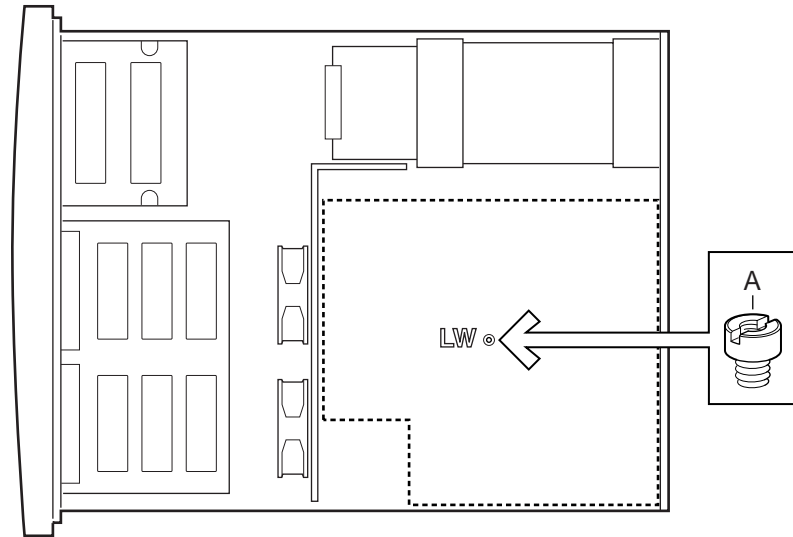


OM09305

Figure 8. Removing the Fan Assembly from Chassis Tabs

L440GX+

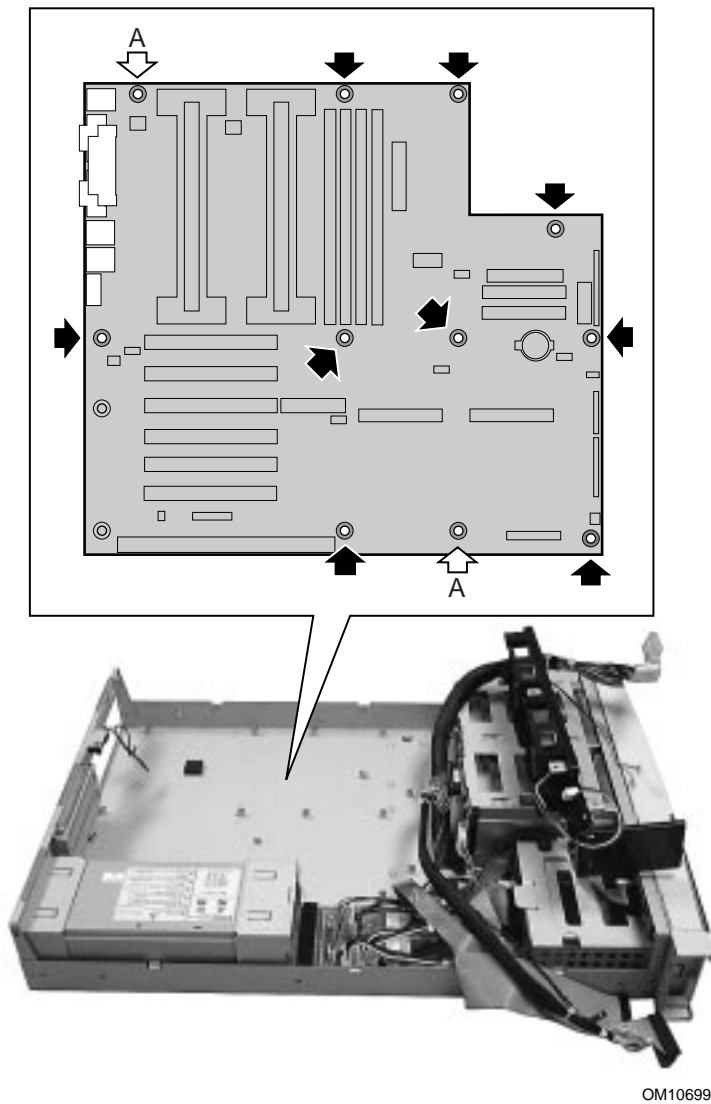
9. If you are installing a L440GX+ server board, you must add a standoff to the chassis as shown. Use the standoff from the bag labeled L440GX+. “LW” is stamped in the sheet metal of the chassis next to the hole for the standoff.



OM10719

Figure 9. Install a Standoff

10. Remove the server board from its protective anti-static bag.
11. Orient the board so that the I/O connectors on the board are positioned in front of the I/O shield.
12. Insert connector edge of the server board into the chassis first making sure the connectors are properly seated in the I/O shield.



OM10699

Figure 10. Mounting the L440GX+ Server Board

13. Lay board flat on the standoffs that are located on the chassis floor.

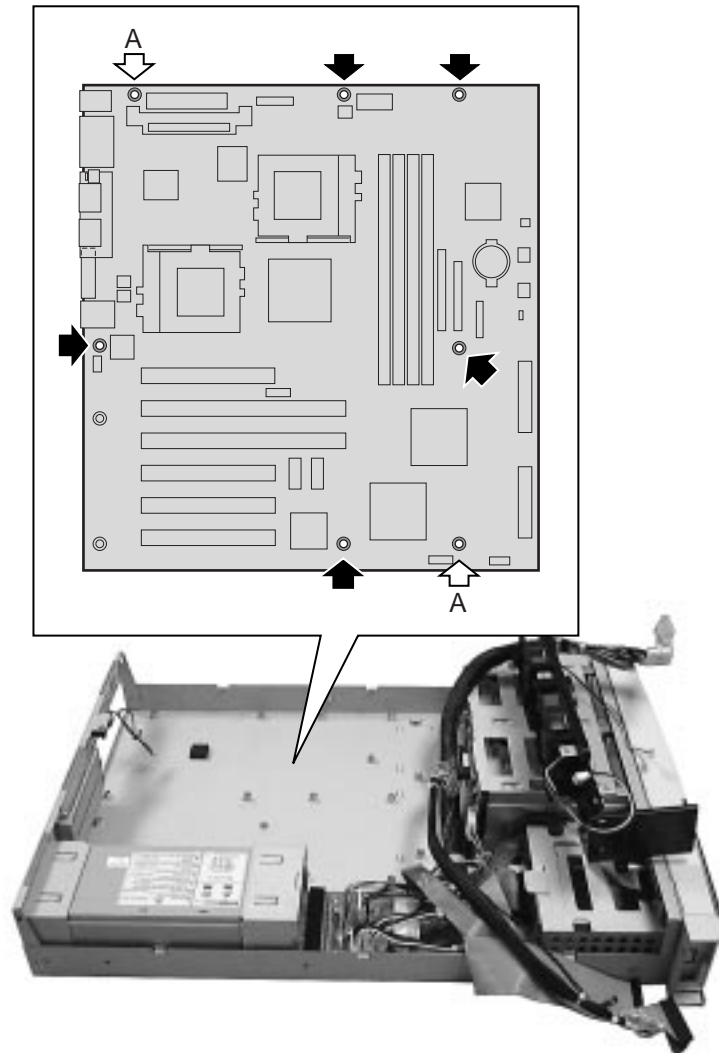
⇒ NOTE

As shown in Figure 10, the two server board holes nearest the add-in slot covers are not used.

14. Align the board by making sure the two standoffs with shoulders are inserted into their matching holes on the board (A).
15. Mount the board to the chassis by inserting the mounting screws supplied with the chassis through the holes on the server board.
16. Place fan assembly back into tabs on chassis floor and route cables around the assembly so that they reach server board and are not pinched.
17. Secure the fan assembly to the chassis by reinserting the mounting screws you removed earlier.

STL2

9. Remove the server board from its protective anti-static bag.
10. Orient the board so that the I/O connectors on the board are positioned in front of the I/O shield.
11. Insert connector edge of the server board into the chassis first making sure the connectors are properly seated in the I/O shield.



OM10720

Figure 11. Mounting the STL2 Server Board

12. Lay board flat on the standoffs that are located on the chassis floor.

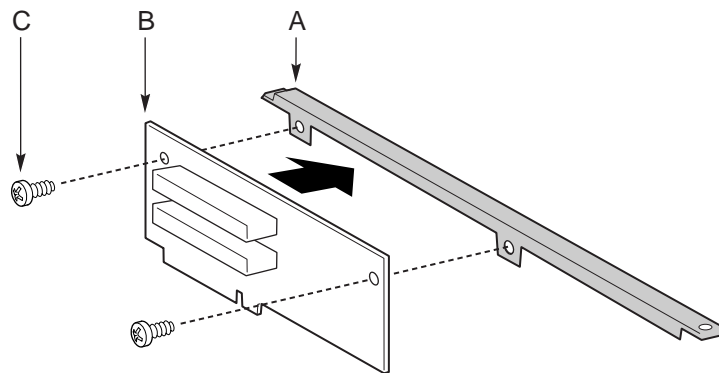
⇒ **NOTE**

As shown in Figure 11, the two server board holes nearest the add-in slot covers are not used.

13. Align the board by making sure the two standoffs with shoulders are inserted into their matching holes on the board (A).
14. Mount the board to the chassis by inserting the mounting screws supplied with the chassis through the holes on the server board.
15. Place fan assembly back into tabs on chassis floor and route cables around the assembly so that they reach server board and are not pinched.
16. Secure the fan assembly to the chassis by reinserting the mounting screws you removed earlier.

Installing the Riser Card for the L440GX+

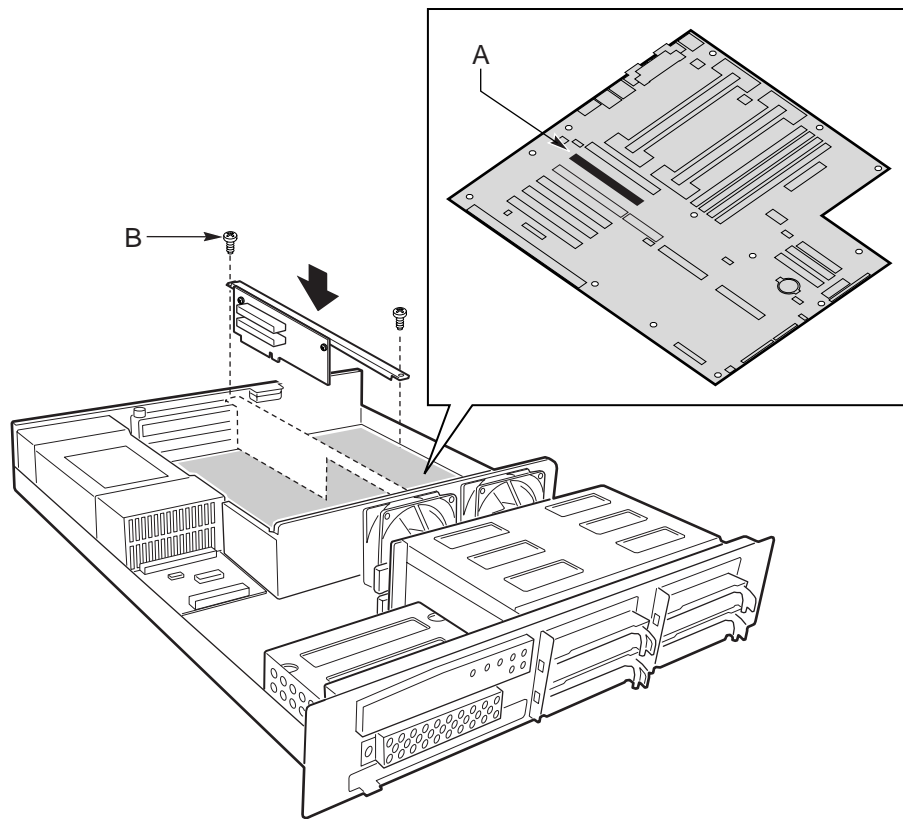
1. Attach the riser card to the bracket with two screws.



OM10717

Figure 12. Attaching the L440GX+ Riser Card to the Bracket

2. Place riser card into its corresponding connector on the server board.
3. Secure the riser card to the chassis by reinserting the mounting screws you removed earlier.

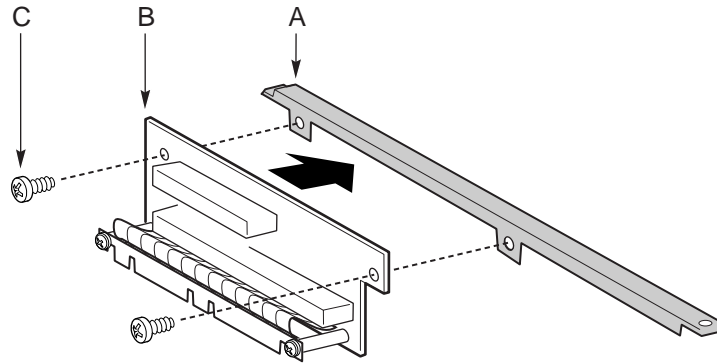


OM10724

Figure 13. Installing the L440GX+ Riser Card

Installing the Riser Card for the STL2

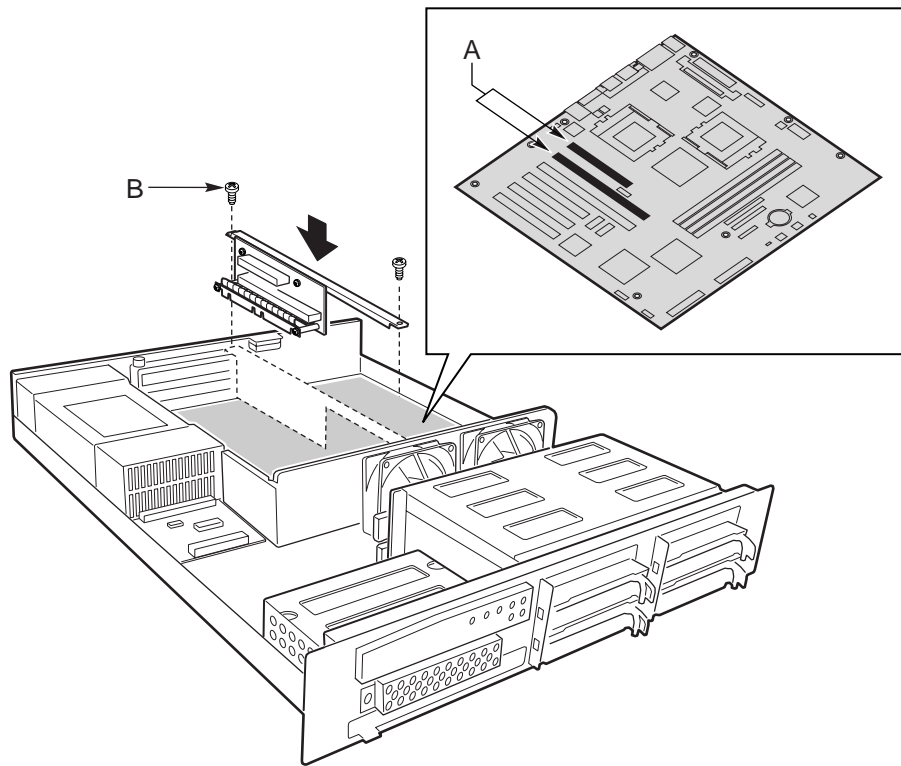
1. Attach the riser card to the bracket with two screws.



OM10725

Figure 14. Attaching the STL2 Riser Card to the Bracket

2. Press the riser card into its corresponding connector on the server board. When pressing the long PCI, don't put pressure on the flex circuit. Instead, press over the screw holes or standoffs.
3. Secure the riser card to the chassis by reinserting the mounting screws you removed earlier.



OM10723

Figure 15. Installing the STL2 Riser Card

Installing the Speaker

This procedure is for the STL2 only. The L440GX+ has an onboard speaker. If you have an L440GX+, proceed to the next section.

1. Slide the speaker into the notches on the bracket.
2. Insert and tighten a screw to hold the bracket to the chassis. The screw also holds the speaker to the bracket.
3. Connect the cable to the server board. Be careful not to pull the cable off of the speaker.

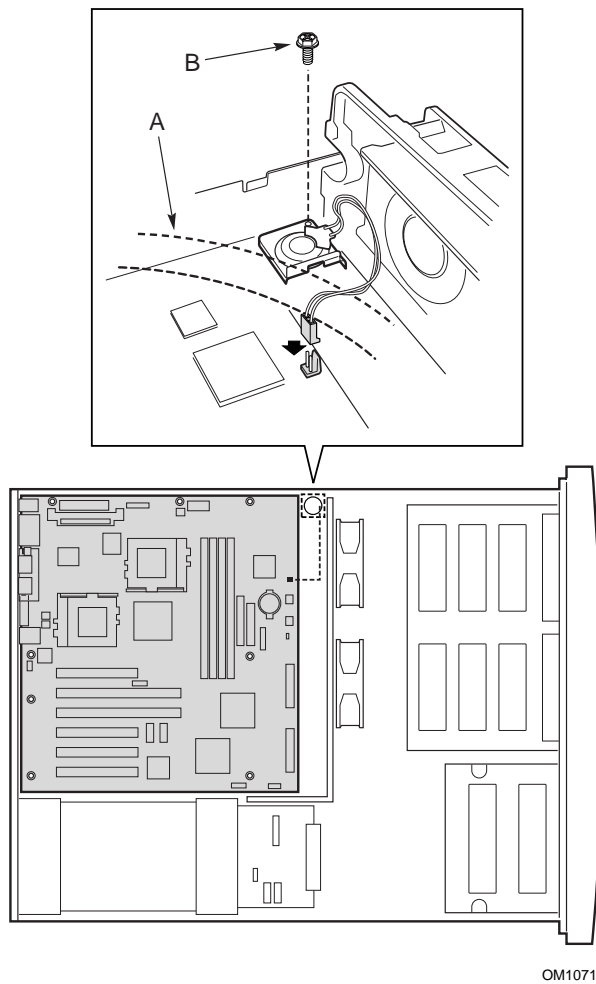


Figure 16. Installing the Speaker

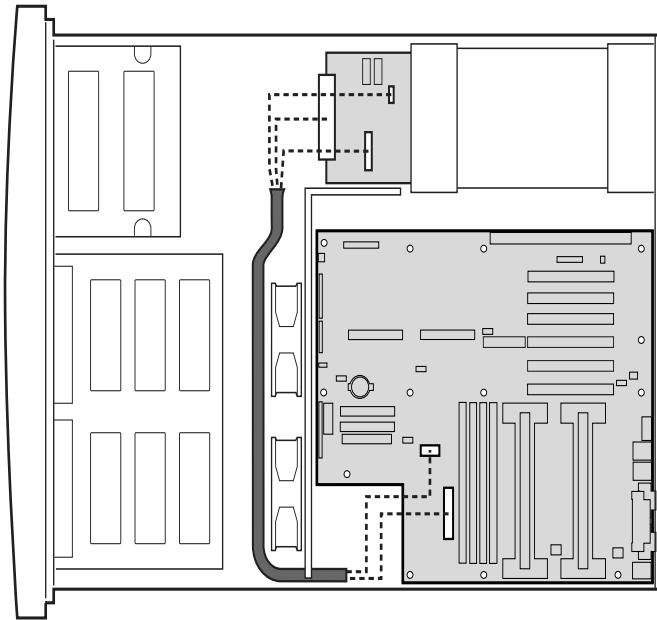
Cabling the L440GX+

After mounting the server board, it needs to be cabled to the following chassis subassembly components:

- Front panel (use the cable from the bag labeled L440GX+)
- CD-ROM drive
- Hot-swappable disk drive assembly
- Fan assembly
- Chassis intrusion switch
- Power supply

Power Cable

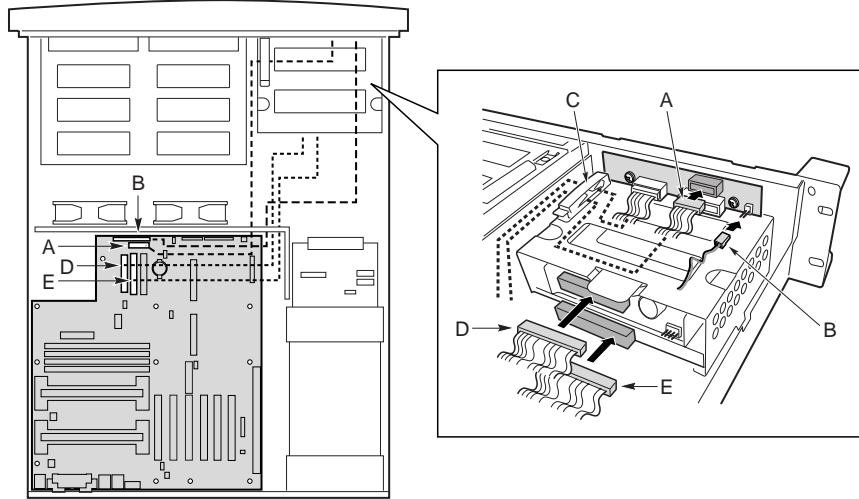
Route the power cable on the drive side of the fan enclosure as shown.



OM10713

Figure 17. Routing the Power Cable (L440GX+)

Connect Cables to the Front Panel Board

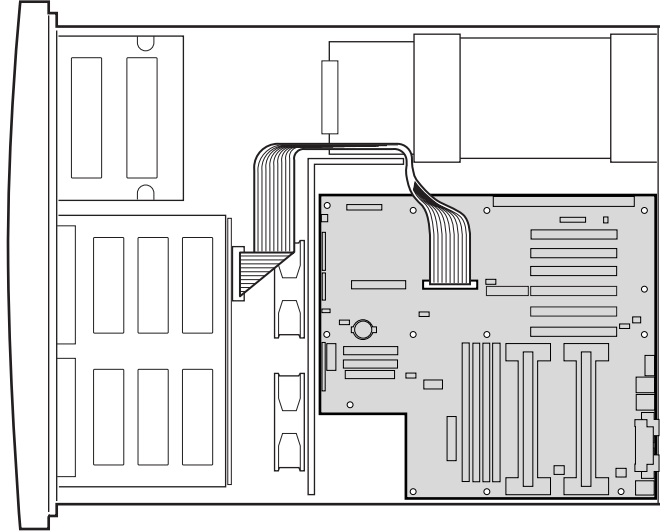


OM10712

Figure 18. Connecting Cables to the Front Panel Board (L440GX+)

1. If it is not already connected, connect the cable from the SCSI backplane.
2. Connect the cable from the server board to the top connector (A).
3. Connect the sleep cable (B).
4. Connect the diskette drive cable (D).
5. Connect the CD-ROM data cable (E)

Connect the SCSI Cable



OM10714

Figure 19. Connecting the SCSI Cable (L440GX+)

Connect Cables to the Server Board

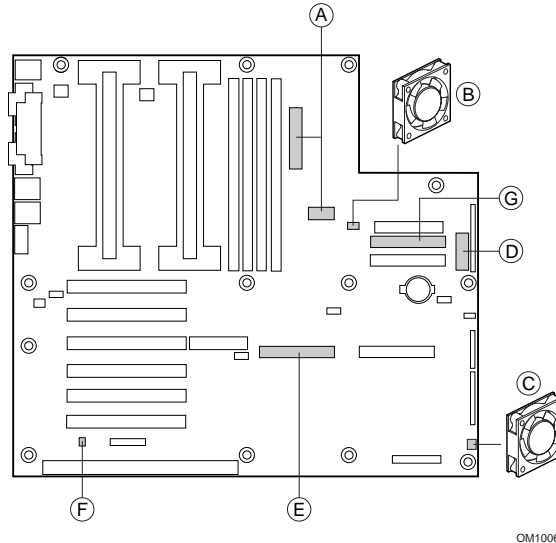


Figure 20. Connecting Cables to the Server Board (L440GX+)

1. Connect the power cables to connector J7F1 (A-larger) and the AUX connector to J6F1 (A-smaller) on the server board. The power cables are routed from the power board, around the fan assembly, to the server board area.
2. Connect the power cables for fan1 to connector J1J1 (B) and fan 2 to connector J6G1 (C) on the server board.
3. Connect the front panel cable to the J5J1 connector (D) on the server board.
4. Connect the SCSI connector from the hot swap backplane cable to connector J3E2 (E) on the server board.
5. Connect the chassis intrusion switch cable to connector J1B1 (F) on the server board.
6. Connect the IDE cable for the CD-ROM to the J5H2 connector (G) on the server board.

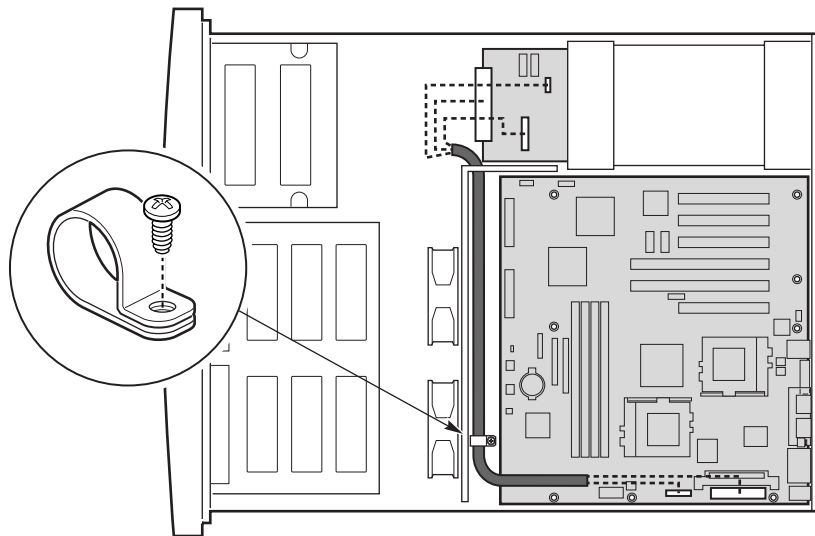
Cabling the STL2

After mounting the server board, it needs to be cabled to the following chassis subassembly components:

- Front panel (use the cable that shipped with the server board)
- CD-ROM drive
- Hot-swappable disk drive assembly
- Fan assembly
- Chassis intrusion switch
- Power supply

Power Cable

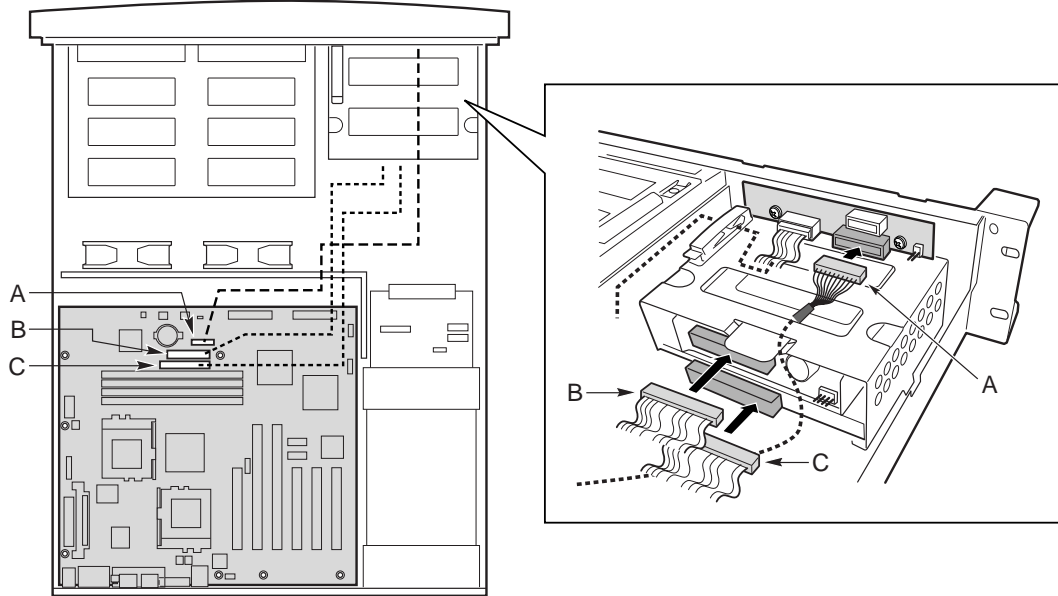
Route the power cable on the board side of the fan enclosure as shown. Wrap the clamp around the cable and secure it to one of the unused standoffs.



OM10716

Figure 21. Routing the Power Cable (STL2)

Connect Cables to the Front Panel Board

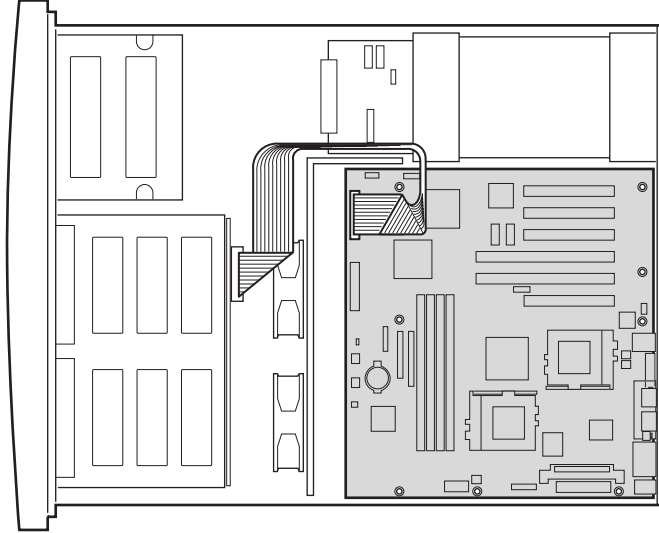


OM10711

Figure 22. Connecting Cables to the Front Panel Board (STL2)

1. If it is not already connected, connect the cable from the SCSI backplane.
2. Connect the cable (use the cable that shipped with the server board) from the server board to the bottom connector (A).
3. Connect the diskette drive data cable (B).
4. Connect the CD-ROM data cable (C)

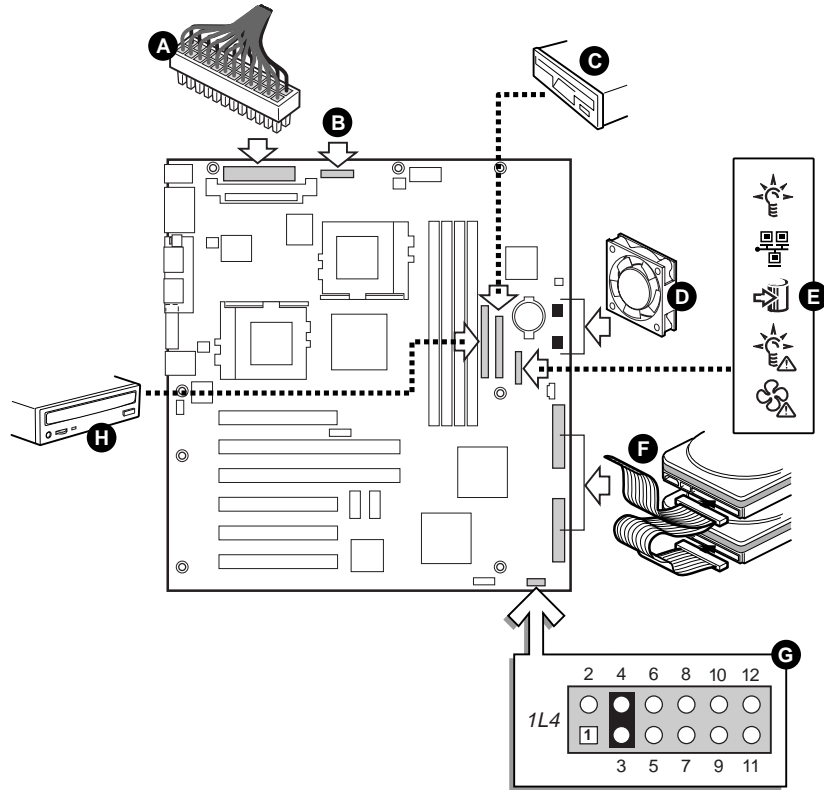
Connect the SCSI Cable



OM10715

Figure 23. Connecting the SCSI Cable (STL2)

Connect Cables to the Server Board



OM10721

Figure 24. Connecting Cables to the Server Board (STL2)

1. Connect the power cables to connector (A-larger) and the AUX connector to (B-smaller) on the server board.
2. Connect the diskette drive cable to the connector (C) on the server board.
3. Connect the power cables for fan1 to connector FAN2A and fan 2 to connector FAN3A (D) on the server board.
4. Connect the front panel cable to the connector (E) on the server board.
5. Connect the SCSI connector from the hot swap backplane cable to the bottom SCSI connector (F) on the server board.
6. Connect the chassis intrusion switch cable to pins 3-4 of connector 1L4 (G) on the server board.
7. Connect the IDE cable for the CD-ROM to the connector (H) on the server board.

Adding Components to the Server Board

After installing the server board, you must add the desired number of processors and memory cards. See the documentation that shipped with your server board for instructions.

Reattaching the Cover

Once the server board and its components are installed, you are done assembling the system unless you have optional peripherals or add-in cards you wish to install. If you need to install these components, continue on to the next section. Otherwise, reattach the cover and continue on to Chapter 4, which describes how to install the system in a cabinet.

To reattach the cover:

1. Place the cover on the chassis and slide it forwards as far as possible.
2. Tighten the three screws on the rear of the chassis.

Installing Optional Peripherals and Devices

Peripherals and add-in cards are not included in your system and must be purchased separately and installed. The following sections describe how to install:

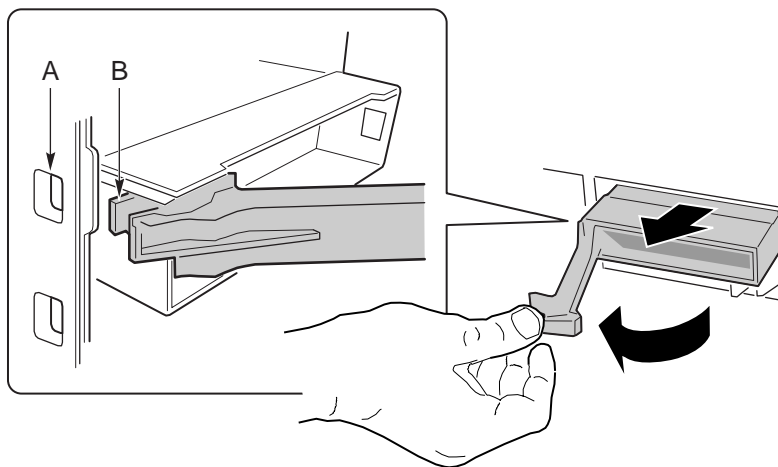
- Up to four hard drives into the system's hot-swappable hard drive bay
- A fixed 3.5" drive into the system's fixed drive bay
- Up to two PCI add-in cards into the system's riser card

Hard Drives

Your server does not include a hard drive. You must purchase them separately and install them. The server has four hot-swappable hard drive bays.

1. Remove the drive carrier(s) from the drive bays by unclipping the retention lever on the right side of the handle.

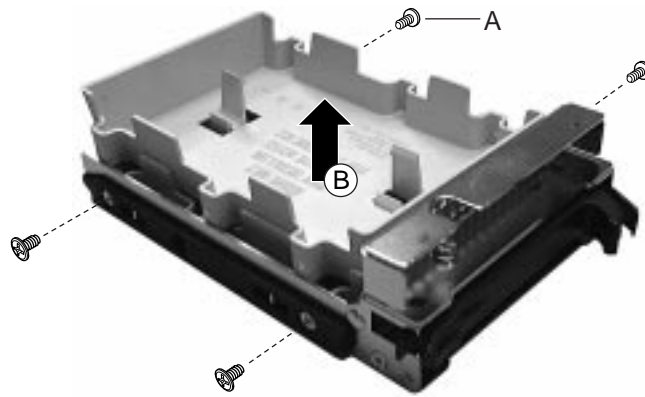
Pull the retention lever toward you until the tab end (B) of the lever is free of the housing slot (A). Pull the drive forward and out of the housing.



OM09653

Figure 25. Removing the Hard Drive Carrier from the Chassis

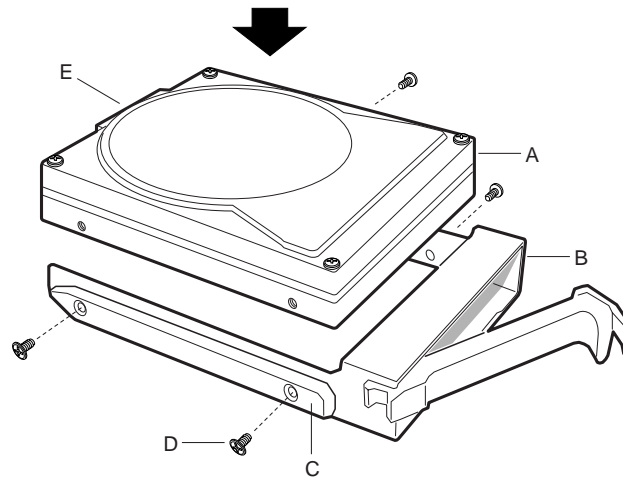
2. Release the air baffle (B) by removing the four screws (A) from the drive carrier/drive slide track.
3. Remove the hard drive from its wrapper and place it on an anti-static surface.
4. Set any jumpers and/or switches on the drive according to the drive manufacturer's instructions.



OM09398

Figure 26. Removing the Air Baffles

5. Align the drive holes (see Figure 27) to the holes in the drive carrier slide track (C), insert the screws that you previously removed, and attach the carrier (B) to the drive (A). Make sure that the connector end of the drive (E) is facing the back of the carrier and the drive top is facing upward before inserting the screws.
6. Slide the carrier/drive into the chassis with the retention mechanism extended in the open position, then push the arm towards the front of the chassis until the lever tab clicks into the chassis slot indicating that it is closed.



OM09654

Figure 27. Attaching the Drive to the Carrier

Fixed Drives

The system provides a 3.5-inch drive bay that allows you to install a variety of different fixed drives such as a diskette drive, a hard drive, a tape drive, or a ZIP⁺ drive. The following is a generic procedure that, for the purpose of example, shows how to install a hard drive.

1. Remove the chassis cover if the chassis is not already open.
2. Remove the EMI shield from the 3.5-inch drive bay opening by removing and saving the two mounting screws (A).
3. Slide the drive tray (B) out of the chassis.

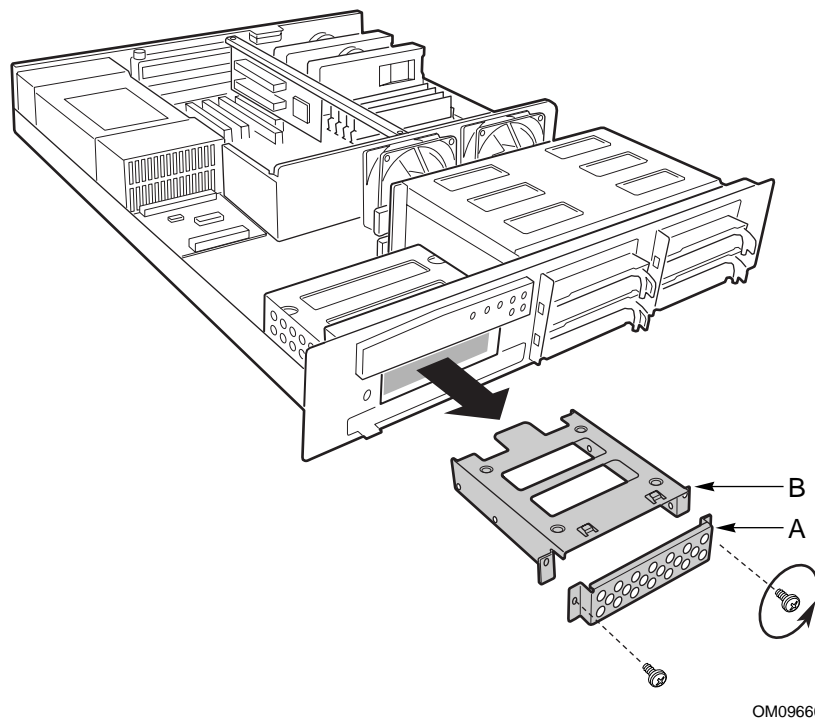
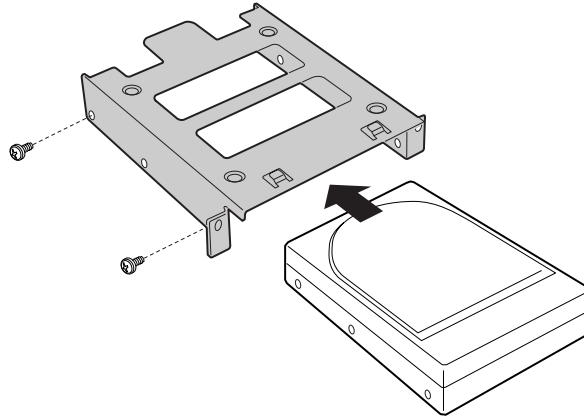


Figure 28. Removing Fixed Drive Tray

4. Remove the 3.5-inch diskette drive from its protective wrapper, and place it component-side up on an anti-static surface.
5. Set any jumpers and/or switches on the drive according to the drive manufacturer's instructions.
6. Install the drive into the drive tray and secure it with the provided mounting screws.



OM09396

Figure 29. Installing a Drive into the Fixed Drive Tray

7. Slide the drive carrier through the front of the chassis.
8. Secure the drive tray and the EMI shield to the front of the chassis with the screws you removed earlier.

⇒ **NOTE**

If you are installing a device that requires user access such as a diskette, tape, or zip drive, do not reattach the EMI shield.

9. Connect the signal (D) and power (C) cables to the drive according to the manufacturer's specifications.
10. Reattach the chassis cover if you have no other work to do within the chassis.

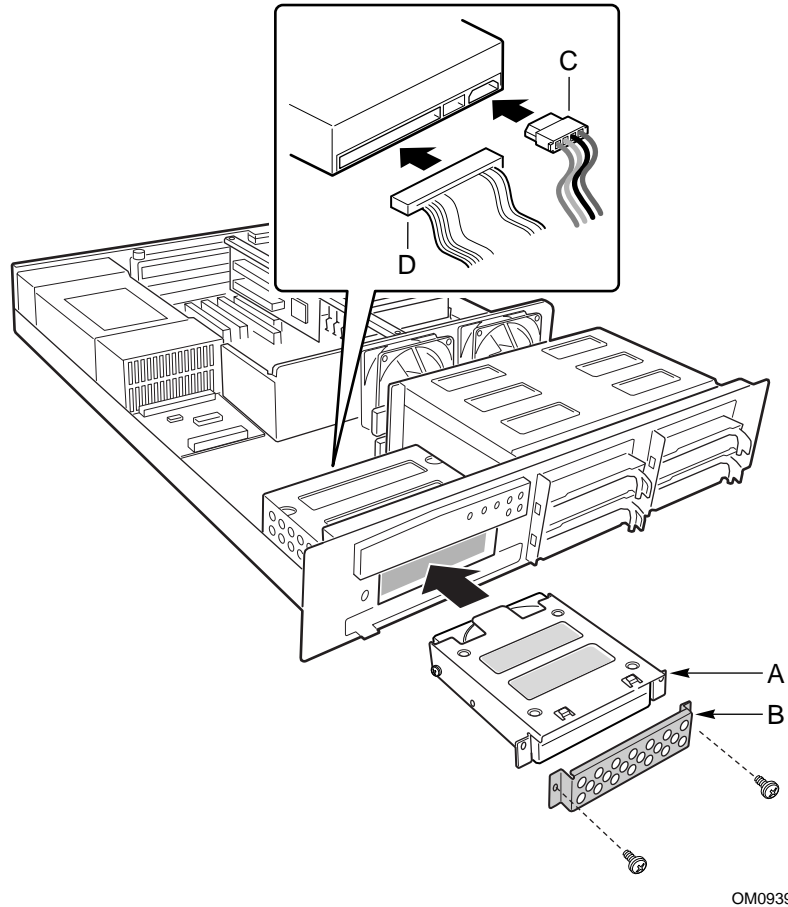


Figure 30. Installing the Fixed Drive into the Chassis

Add-In Cards

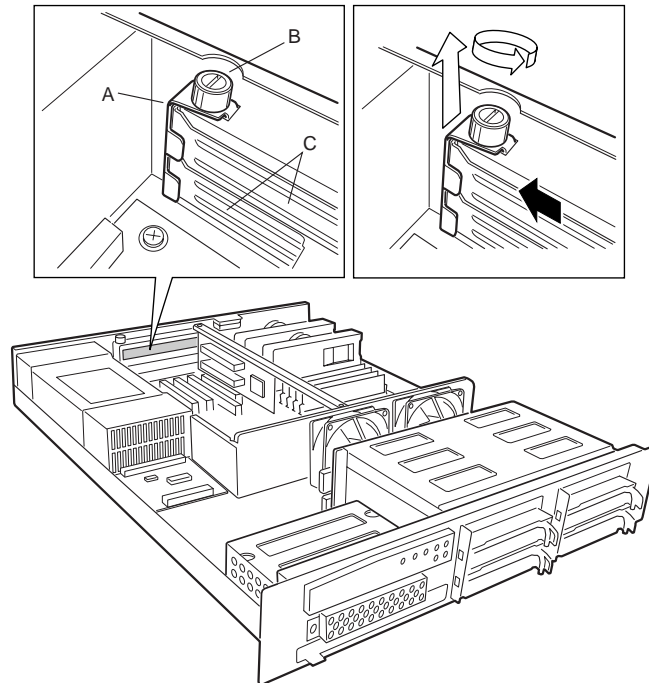
You can only add two PCI cards to this server. You must use the PCI slots on the riser card and cannot use any expansion slots on the server board.

⇒ NOTE

If you are installing PCI SCSI add-in card, attach the SCSI cable before you insert the card into the chassis. It might be difficult to attach the cable to the card after you have seated it into the chassis.

To insert an add-in card:

1. Remove the chassis cover if the chassis is not already open.
2. Remove the expansion slot cover for the slot you wish to use. Remove the thumbscrew (B in Figure 31) holding the cover retention bracket (A) to the chassis. Remove the bracket from the chassis.
3. Remove the expansion slot cover (C) for the slot you wish to use.
4. Remove the add-in board from its protective wrapper. Set jumpers or switches according to the manufacturer's instructions.



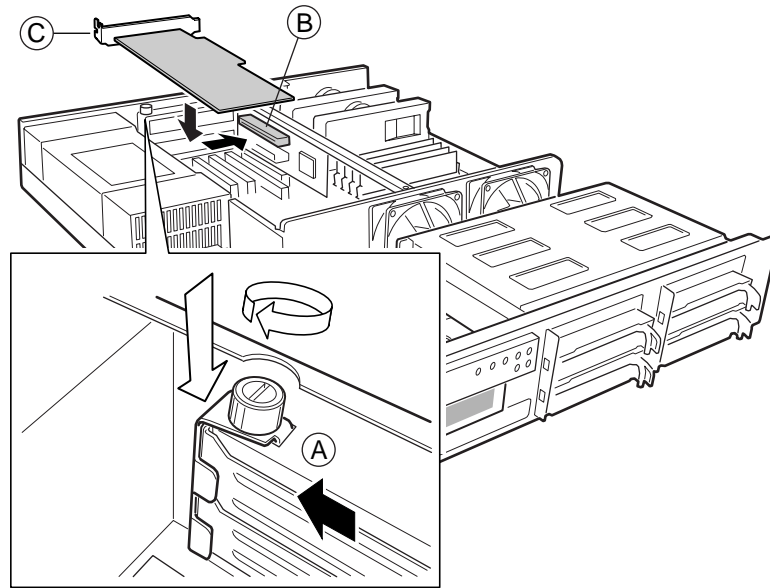
OM09306

Figure 31. Removing the Slot Cover Retention Bracket

5. Hold the board by its top edge or upper corners. Firmly press it into an open expansion slot (B in Figure 32) on the riser card. The tapered foot of the board-retaining bracket must fit into the mating slot in the expansion slot frame. Install the board component side DOWN.

⇒ **NOTE**

On the L440GX+ riser card: If you are installing a single PCI card, you must use the bottom slot.



OM09659

Figure 32. Installing an Add-In Card

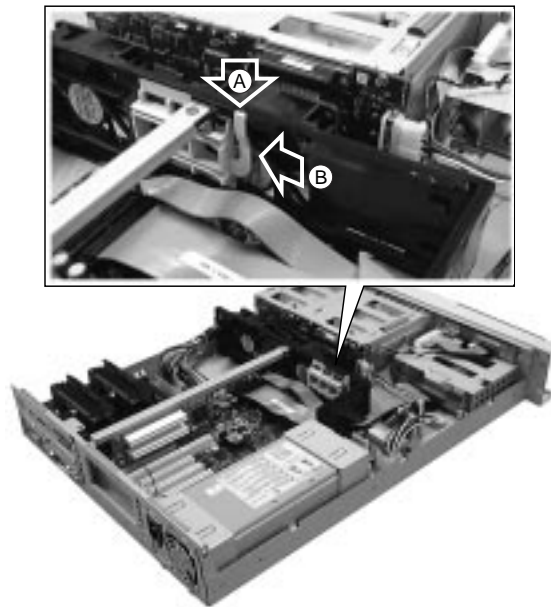
⇒ **NOTE**

If you are installing a full-length PCI card, slide the card guide (see Figure 33) in front of the fans before installing the card. Also, you must remove the ISA retainer found on the right side of the board as you look at it from the component side; the board will not fit in the system with the retainer still attached.

6. Align the rounded notch in the retaining bracket (C in Figure 32) in with the threaded hole in the frame. The bracket fits the space that was occupied by the slot cover.

⇒ **NOTE**

If you are installing a full-length PCI card, slide the card guide back into place (see Figure 33). The back edge of the card should be held in place by the rail of the card guide.



OM09313

Figure 33. Using the Add-in Card Guide

7. Install the cover retention bracket and thumbscrew.
8. Reattach the chassis cover if you have no other work to do within the chassis.

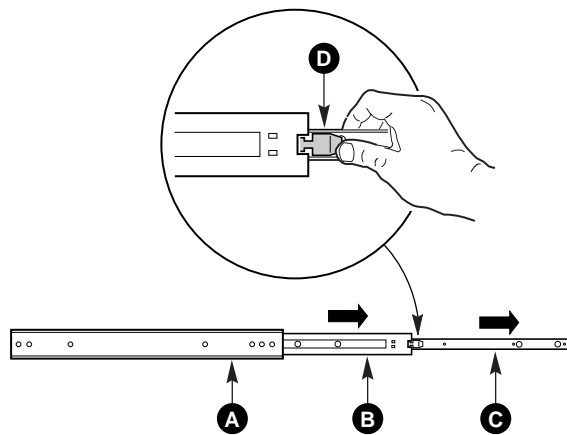
4 Installing the System

The SR2050 system comes with a rail kit that allows you to install it into a four-post, network server cabinet (e.g. APC Netshelter). If the cabinet is not of this general type, you will have to purchase a separate rail kit that is specific to your cabinet.

Follow these steps to install the rail kit and place your system into the cabinet.

1. Assemble tools and miscellaneous parts. You will need a Phillips screwdriver and assorted lock washers and nuts.
2. Remove the inside piece (C in Figure 34) from both sides of the rail system.

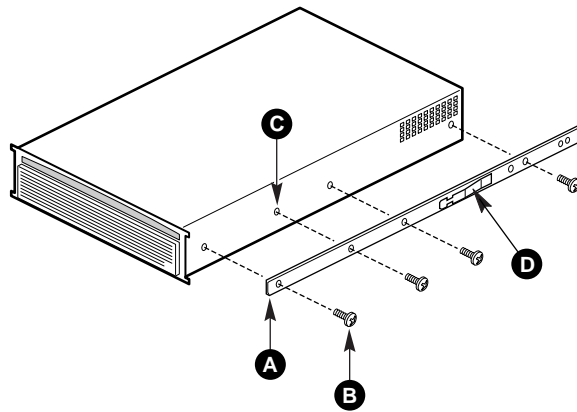
To remove an inside piece of the rail system, slide the part as far out as you can. This action reveals a brass colored finger tab (D) that when depressed allows you to completely separate the inside rail piece from the outer (A) and middle (B) rail pieces.



OM09132

Figure 34. Chassis Rail System

- Align each inside rail (A in Figure 35) to a side of the chassis.
Be sure that the flat end of the inside rail is toward the front of the chassis and that the brass colored finger tab (D) is facing outward. With the holes in the chassis (C) aligned with the holes in the rail, fasten the rail using the smallest screws (B) supplied with the rail kit.



OM09133

Figure 35. Aligning Rail to Chassis

- Here is a combination side and rear view of the chassis after the right inside rail has been attached.



OM10121

Figure 36. Chassis Rear and Side View

5. Locate the front and rear rail brackets for one side of the rail kit. One pair (A and B in Figure 37) exists for each side of the cabinet rack.



Figure 37. Rail Brackets

6. Attach all four rail brackets to the cabinet rack. Be sure that the sharper angled side of each bracket is facing up.

To attach a rail bracket, use two flat-head mounting screws (A), supplied with the kit, to secure the bracket to the inside of the cabinet rack. Fasten the screws by aligning the nutbar behind the bracket. Be sure that the nutbar is positioned such that the isolated hole (C) is upright. Tighten the screws (A) through the nutbar holes (B). Figure 38 shows how to align all pieces. Each bracket is attached similarly.

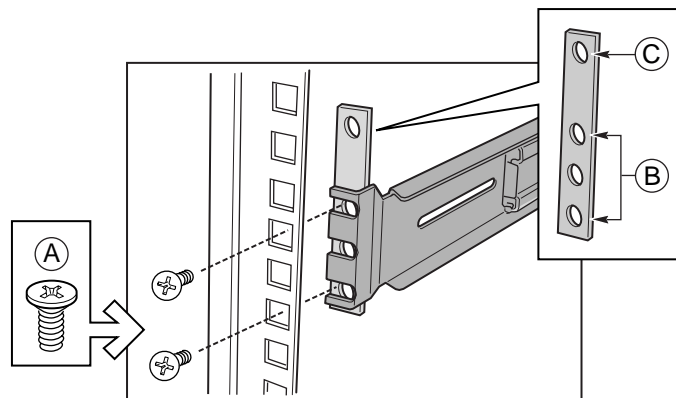


Figure 38. Attaching Rail Brackets to the Cabinet Rack

7. Attach the side rail system's outer pieces (total of two) to the rail brackets you installed in step six.

To attach the front part of an outer piece to a rail bracket, you must reveal the access hole (A) by sliding the innermost piece toward the back. Once you see the access hole, align it with the hole in the rail bracket (B) such that you can secure the bolt. Insert the screw through the rail and the front hole in the bracket. Then put the nut on the backside of the rail bracket.

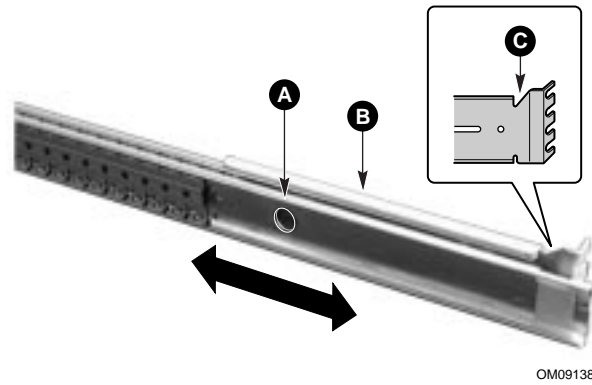


Figure 39. Attaching Outer Pieces to the Rail Brackets

8. To attach the rear part of the rail system to the rear rail bracket (A), slide the rail system within the rail brackets such that you can place a bolt through the rail's hole (B) and into the rail bracket's slot. Tighten the bolt and nut.

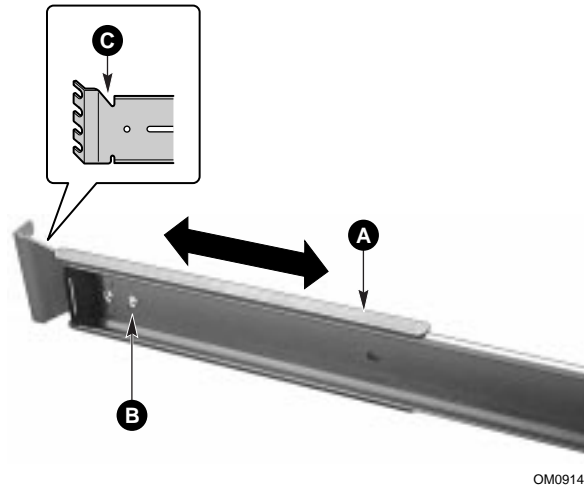


Figure 40. Attaching the Rail System to the Rear Rail Bracket

NOTE

For a very deep cabinet, you might need to move the front screw used in the front bracket to one of the bracket slots. If you do use slots instead of holes in the brackets, be sure to use the same rail positions for both sides.

9. Extend the right and left rails (A) so they fully extend in front of the cabinet rack and slide the bearing insert (inside the rails) to the front of the rails. The rail system is now ready to receive the chassis.

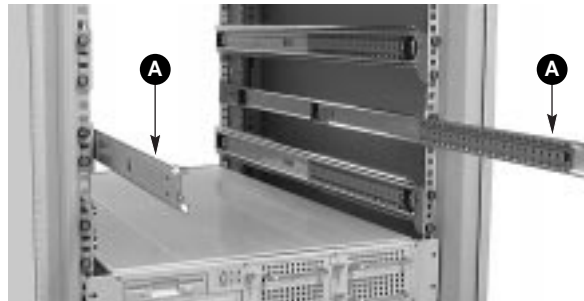


Figure 41. Extending the Rails

10. Lift the chassis with its front facing you and carefully guide the inner rail (A in Figure 42), which is mounted to the chassis system, into the outer pieces (B) you attached in previous steps.

Gently move the system evenly towards the rear of the cabinet until it locks. Press the brass colored finger tabs located in the center of each inner side rail piece to slide the chassis all the way back. If you feel resistance as you slide the chassis, loosen the front mounting screws and retighten them to adjust for width.

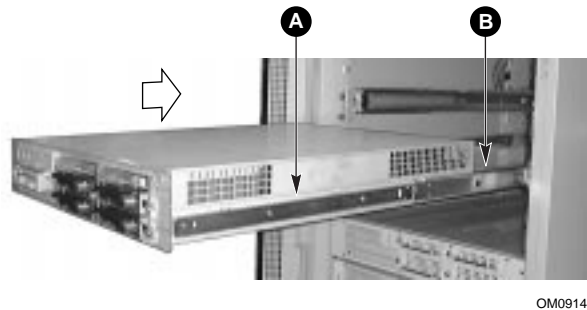


Figure 42. Guiding the Chassis into the Rack

11. With the chassis fully inserted into the cabinet rack, you can easily access both the front and rear of the system. Be sure to use the largest screws to secure the chassis into the cabinet to keep the chassis from sliding out. The photo in Figure 43 shows the system from the rear fully inserted into the cabinet.



OM10120

Figure 43. Chassis Mounted into the Rack

5 Operating the System

The operation of the SR2050 involves the use of the front panel and the bezel that covers and secures it from unwanted access.

Opening and Closing the Bezel

With the bezel open you have access to all of your system's front panel functions and indicators. With the bezel closed you can protect critical functions and still view the system's indicators.

To open the bezel, do the following:

1. Stand in front of the chassis and grasp the edges of the bezel from each side.
2. Gently pull the bezel towards you until it begins to separate from the chassis.
3. As the bezel separates from the chassis, allow it to swing to its open position situated below the chassis.



OM09729

Figure 44. Opening the Bezel

4. To close the bezel, gently raise it upwards. The hinging mechanism will guide the bezel into the correct position where it will snap shut.

Locking and Unlocking the Bezel

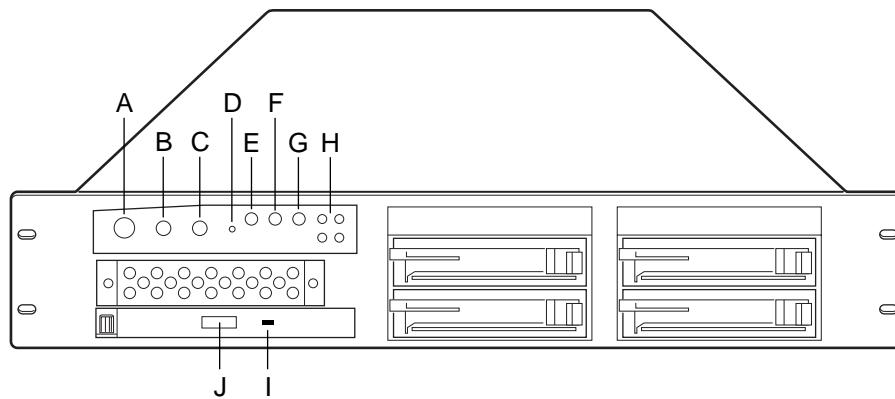
The bezel can be locked and unlocked to prevent unwanted access to the system.

To lock the bezel:

1. Remove the keys from inside the bezel (they should be taped to the inside).
2. Close the bezel and insert the key into the lock. Turn the lock counterclockwise until it stops (about a quarter turn). The bezel is now locked and cannot be opened.

To unlock the bezel, insert the key into the lock and turn the lock clockwise until it stops (about a quarter turn). The bezel is now unlocked and can be opened again.

Using the Front Panel Controls and Indicators



OM09735

- | | |
|-----------------|----------------------------|
| A. Power button | F. NIC activity LED |
| B. Sleep button | G. Fail LED |
| C. Reset button | H. Disk activity/fail LEDs |
| D. NMI button | I. CD-ROM activity LED |
| E. Power LED | J. CD-ROM eject button |

Figure 45. Front Panel Controls and Indicators

The control panel buttons provide the following function:

Power button	Powers the system up and down.
Sleep button	Puts the system in idle mode and reduces the power consumption needed by the system.
Reset button	Reboots and initializes the system.
NMI button	Puts server in a halt state for diagnostic purposes. The button is recessed and allows you to issue a non-maskable interrupt. After issuing the interrupt, a memory dump can be performed to determine the cause of the problem.

The control panel LEDs report the following status:

Power LED	A green LED that, when lit, indicates that the system has power applied to it.
NIC activity LED	A green LED that, when lit, indicates activity between the system and the network to which it is connected.
Fail LED	A yellow LED that, when lit, indicates a system fault/failure has occurred.
Disk activity/fail LEDs	A bi-color LED that is either green or yellow. A green LED indicates disk activity is occurring and yellow LED indicates a disk failure occurred.

6 Maintaining the System

Should you have any problem with SR2050 components, you can order parts for the system and replace them. For information about these parts and how to order them, contact your Intel representative. The following procedures describe how to replace these components in your system.

Safety: Before You Remove the Cover

Before removing the system cover to work inside the system, observe these safety guidelines.

1. Turn off all peripheral devices connected to the system.
2. Turn off the system by pressing the power button on the front of the system. Then unplug the AC power cord from the system or wall outlet.
3. Label and disconnect all peripheral cables and all telecommunication lines connected to I/O connectors or ports on the back of the system.
4. Provide some electrostatic discharge (ESD) protection by wearing an anti-static wrist strap attached to chassis ground of the system—any unpainted metal surface—when handling components.

Bezel

Your system includes a hinged bezel that both protects the front panel and hides the system's hard drives. When you receive the system, the bezel is already attached to the system. If you need to replace the bezel, you must remove the existing bezel parts and replace them with bezel pieces you receive.

Removing the Bezel

To remove the existing bezel:

1. Be sure the bezel is in the lowered position. You can lower the bezel by facing the appliance and grasping the top and bottom of the bezel and gently moving it downward.



OM09729

Figure 46. Lowering the Bezel

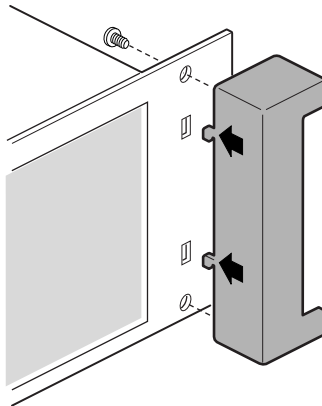
2. Once the bezel is in the lowered position, place your hands to the right and left of the bezel such that you can gently press each bezel hinge inward. Pressing the hinges inward removes the hinge pegs from the bezel mounts.



OM09728

Figure 47. Removing Hinge Pegs from Bezel Mounts

3. Remove the right bezel mount with the fastening hole on the right side of the system's front panel (see Figure 48). Detach the mount from the panel by removing the two screws from the back of the bezel mount.
4. Remove the left bezel mount from the left side of the system in a manner similar to that described for the right bezel mount.



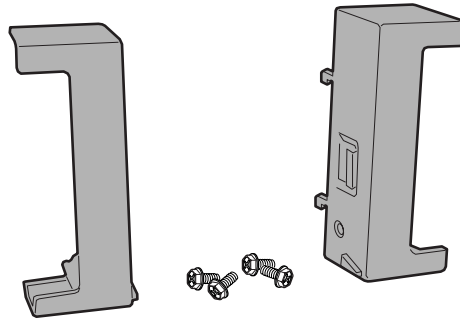
OM09166

Figure 48. Removing the Bezel Mount

Attaching the Bezel

To install a new bezel:

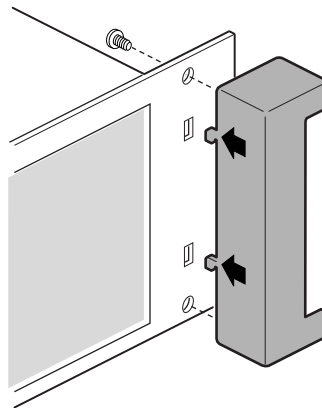
1. Locate the two bezel mounts and the screws used to fasten them to the right and left sides of the front panel.



OM09186

Figure 49. Bezel Mounting Hardware

2. Align the right bezel mount with the fastening hole on the right side of the system's front panel. Fasten the mount to the panel by securing the two screws from the back of the bezel mount.

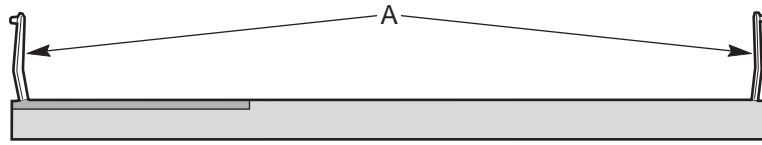


OM09166

Figure 50. Attaching the Bezel Mount

3. Attach the left bezel mount to the left side of the system in a manner similar to that described for the right bezel mount.

4. Locate the bezel's left and right hinges (A) and extend them away from the bezel.



OM09731

Figure 51. Extending the Bezel Hinges

5. Align the round pegs at the ends of the hinges with their respective holes in each bezel mount (A in Figure 52). Press inward on each hinge slightly to allow you to seat the pegs in the holes.



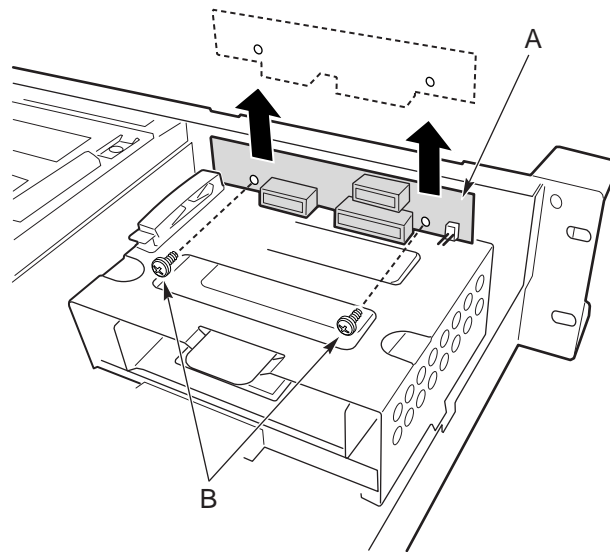
OM09728

Figure 52. Attaching the Bezel

Front Panel Board

To replace the front panel board:

1. Observe the safety precautions at the beginning of this chapter.
2. Remove the cover from the chassis.
3. Unplug the cables from the front panel board.



OM10728

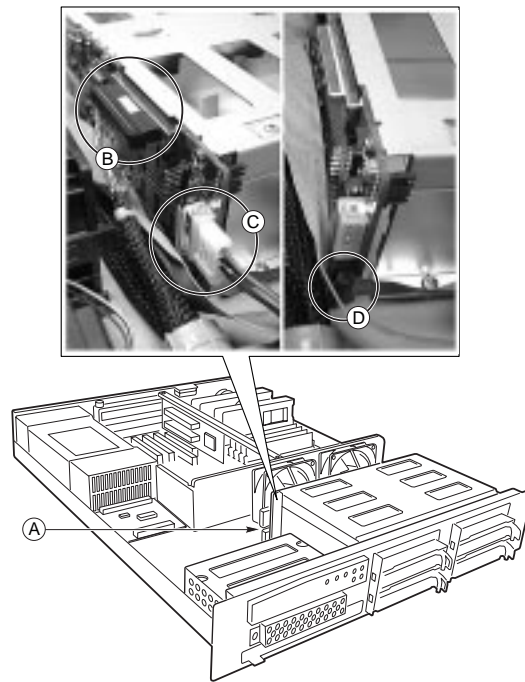
Figure 53. Replacing the Front Panel Board

4. Remove and save the two mounting screws (B) from the board. Remove the board (A) from the chassis.
5. Attach the new board to the chassis using the two screws removed earlier.
6. Plug the cables back into the front panel board.
7. Replace the chassis cover if you have no additional work to do inside the chassis.

Hot-Swap Backplane

The hot swap hard drive assembly has a replaceable backplane board. To replace the backplane:

1. Observe the safety precautions at the beginning of this chapter.
2. Remove the disk drives from the hot swap drive bay.
3. Remove the cover from the chassis.
4. Locate the backplane board (A) and the cables connected to it.



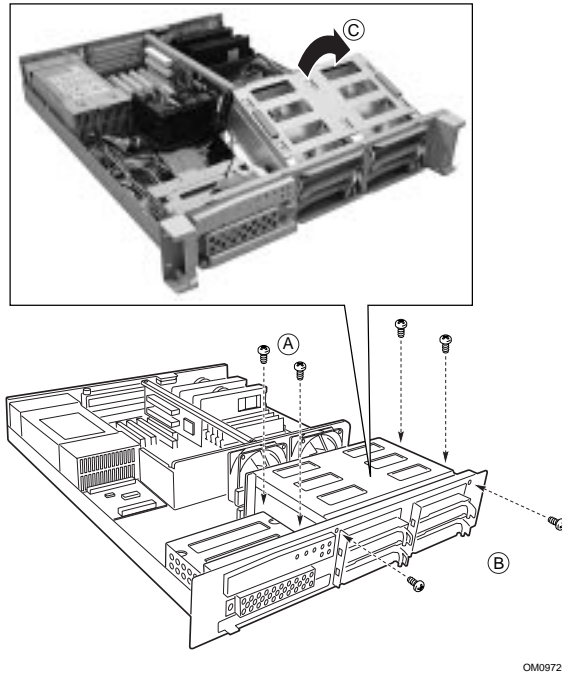
OM09400

- A. SCSI backplane
- B. SCSI data cable
- C. Power connector
- D. Front panel connector

Figure 54. Uncabling the Hot Swap Backplane

5. Uncable the SCSI data cable (B) that connects the backplane to the server board. Lay the connector end away from the assembly.
6. Uncable the power connector (C) that connects the backplane to the power supply board. Lay the connector end away from the assembly.
7. Uncable the data cable (D) that connects the backplane to the front panel. Lay the connector end away from the assembly.

8. Remove and save the four interior screws (A) that hold the bay assembly to the bottom of the chassis.

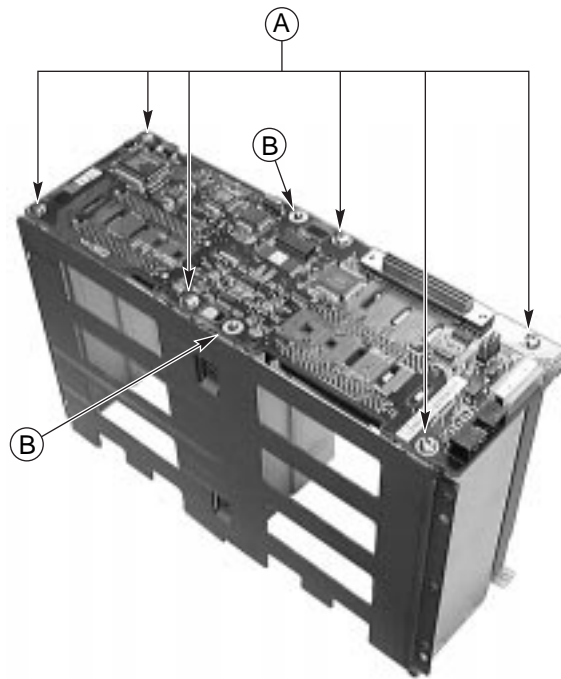


OM09726

Figure 55. Removing the Hot Swap Bay

9. Remove and save the two exterior screws (B) that hold the bay assembly to the front of the chassis.
10. Slide the chassis out of the tabs on the bottom of the chassis and tilt the backplane side of the assembly up and toward the front of the chassis (C).
11. Pull the assembly out and clear of the chassis and set the front of bay assembly on a flat working surface.

12. Remove and save the six mounting screws (A) that hold the backplane to the bay assembly.

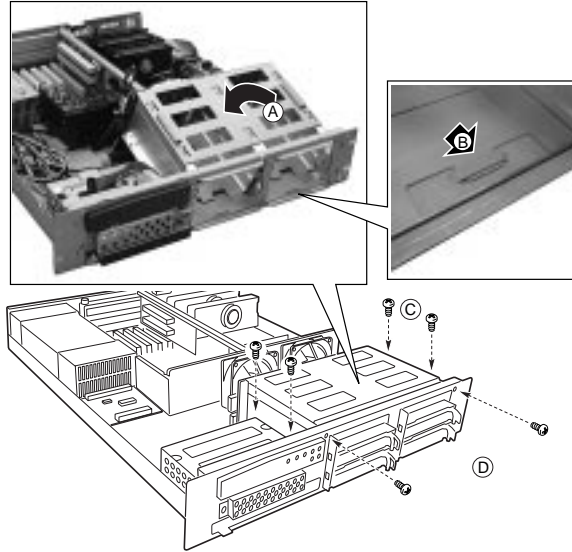


OM09725

Figure 56. Removing the Hot Swap Backplane

13. Remove the backplane from the assembly and place it in an anti-static bag.
14. Remove the new backplane from its packaging.
15. Orient the new board on the assembly bay such that the locating pins on the assembly (B) pass through the board.
16. Attach the board to the bay assembly using the six screws that you removed earlier.
17. Position the assembly bay back into the chassis.

18. Insert the front of chassis first (A) and then lower the backplane end.



OM09732

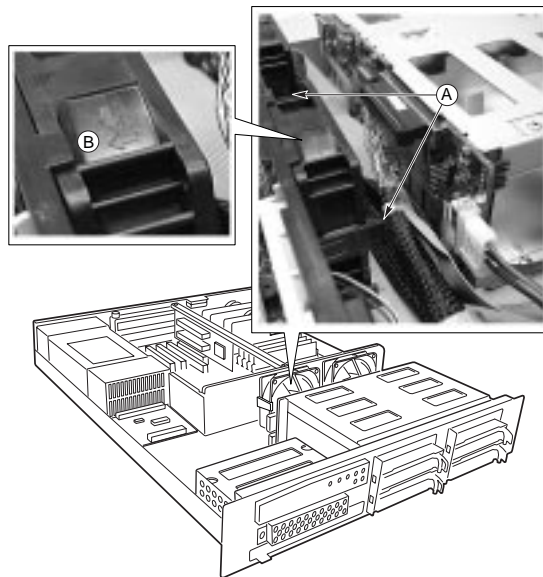
Figure 57. Reinstalling the Hot Swap Bay

19. Slide the assembly into the tab located on the bottom front of the chassis (B).
20. Insert the interior and exterior screws that you removed earlier to reattach the assembly bay to the chassis.
21. Replace the chassis cover if you have no additional work to do inside the chassis.

Fans

Both fans in the fan assembly can be replaced. To replace a fan:

1. Observe the safety precautions at the beginning of this chapter.
2. Remove the cover from the chassis.
3. Unplug the two fan cables from the server board.



OM09399

Figure 58. Replacing a Fan

4. Press the tabs (A) on both sides of the fan and lift it out of the fan assembly.
5. Insert the new fan into the fan assembly making sure that the flow and rotation arrows on the fan point as shown in the figure (B).
6. Plug the fan cables back into the connectors on the server board.
7. Replace the chassis cover if you have no additional work to do inside the chassis.

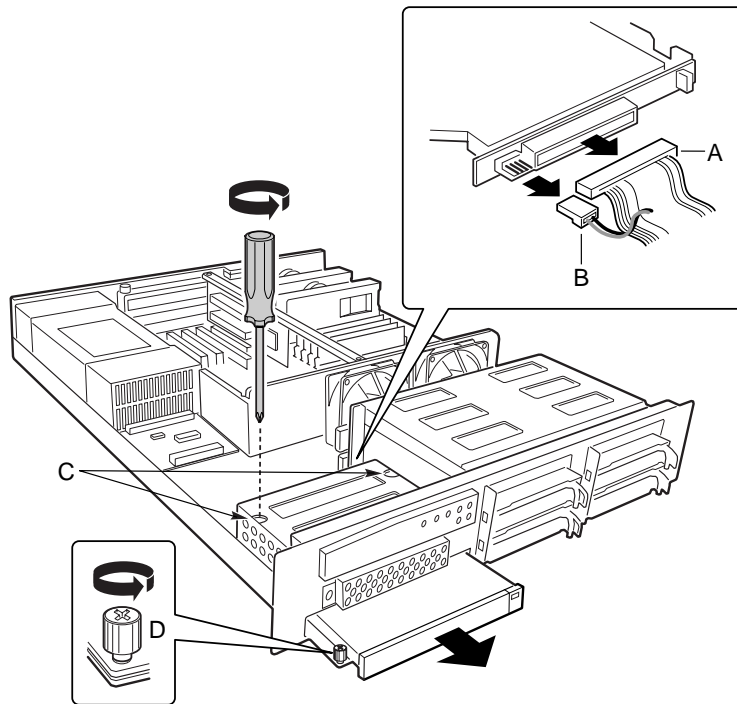
CD-ROM

To replace the CD-ROM drive you must remove the existing drive and install the new one.

Removing the CD-ROM Drive

To remove the CD-ROM drive from the chassis:

1. If there is a drive in the 3.5-inch drive bay, remove it to have better access to the CD-ROM drive.
2. Remove the three screws holding the drive to the chassis (C and D in Figure 59).
3. Disconnect the signal (A) and power (B) cables from the drive.
4. Slide the drive tray out of the front of the chassis.

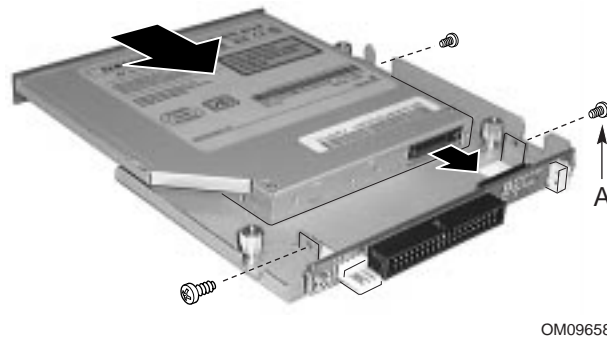


OM09312

- | | |
|-----------------|--------------------|
| A. Signal cable | C. Screws |
| B. Power cable | D. Retention screw |

Figure 59. Removing the CD-ROM Drive

5. Remove the CD-ROM from the CD-ROM tray (see Figure 60) and save the screws.
6. Place the drive in an anti-static protective wrapper if you are not reinstalling the same drive.



A. Mounting screws

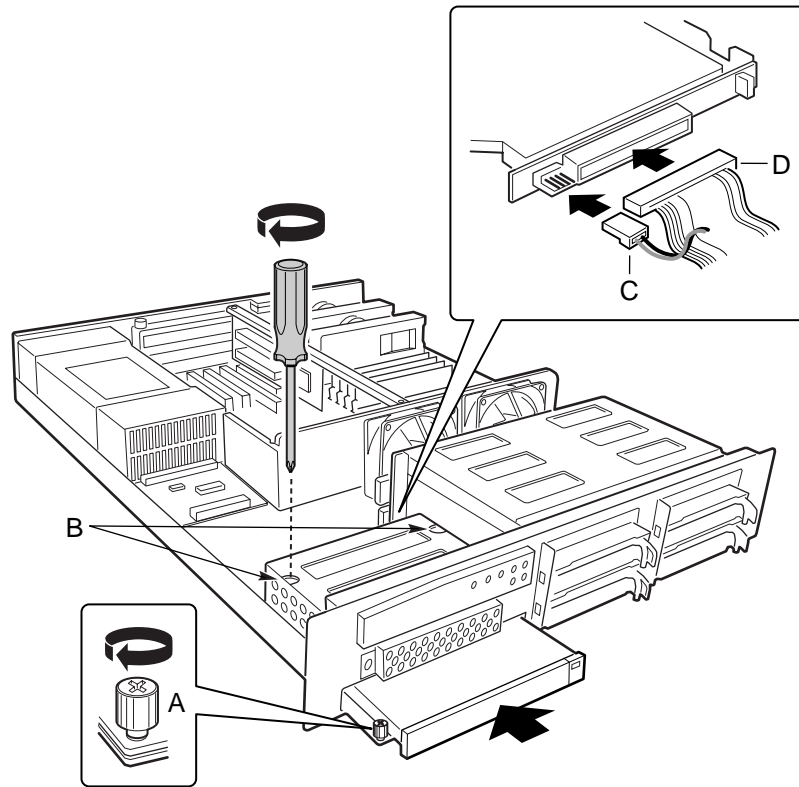
Figure 60. Removing a CD-ROM Drive from the CD-ROM Tray

Installing a CD-ROM Drive

To replace the CD-ROM drive:

1. Remove the drive from its protective wrapper, and place it on an anti-static surface.
2. Set any jumpers and/or switches on the drive according to the drive manufacturer's instructions.
3. Attach the CD-ROM drive to the CD-ROM tray using the mounting screws (A in Figure 60) supplied with the system.
4. Remove the screws that hold the filler panel to the front of the chassis and slide out the panel.

5. Slide the slimline CD-ROM tray into the CD-ROM bay (see Figure 61).



OM09311

- A. Retention screw
- B. Screws
- C. Data cable
- D. Signal cable

Figure 61. Installing a CD-ROM Drive

6. Connect the CD-ROM IDE cable and power cables (C and D in Figure 61) to the connector at the back of the CD tray.
7. Insert the recessed retention screws (B in Figure 61) through the access holes in the top of the drive bay housing.
8. Insert the retention screw (A in Figure 61) on the front of the chassis.
9. If you removed a drive from the 3.5-inch drive bay to replace the CD-ROM drive, re-install it.

Server Board

The following procedures describe how to replace the server board or one of its processors or memory cards.

Replacing the Server Board

To replace the server board:

1. Observe the safety precautions at the beginning of this chapter.
2. Remove the cover from the chassis.
3. Remove any PCI cards from the riser card.
4. Remove the two mounting screws holding the riser card bracket to the chassis and lift the card out of its server board connector.
5. Disconnect all cables from the server board and set their ends aside and away from the server board.
6. Remove the mounting screws that secure the fan assembly to the chassis.
7. Gently lift the fan assembly up and lay it on the hot swap bay assembly.
8. Remove any processors and memory cards that you wish to use with the new board.
9. Remove the mounting screws that secure the server board to the chassis.
10. Place the server board in an anti-static bag.
11. Remove the new server board from its previous package.
12. Mount the new server board to the chassis.
13. Re-cable the new server board to the chassis.
14. Re-install the processors and memory into the new server board.
15. Re-install the riser card.
16. Re-install any add-in cards to the riser card.
17. Replace the chassis cover if you have no additional work to do inside the chassis.

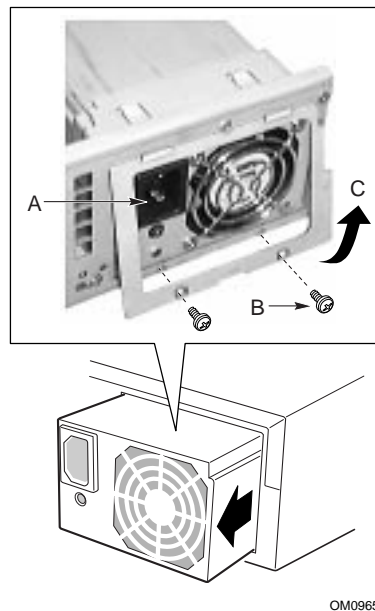
Power Supply

The system has two power supply components that can be replaced, the power supply itself and the power distribution board.

Replacing the Power Supply

To replace the power supply:

1. Unplug the power cord from the power source and from the power cord receptacle at the right rear side of the system.



- A. Power cord receptacle
- B. Screws
- C. Cover

Figure 62. Replacing the Power Supply

2. Remove the top cover of the system. Refer to “Removing the Cover” on page 21.
3. Remove and save the two screws (B) from the power supply cover (C).
4. Grasp the bottom edge of the power supply cover and lift it up and away from the power supply.
5. Grasp the sides of the power supply and slide it backwards, out of the chassis.

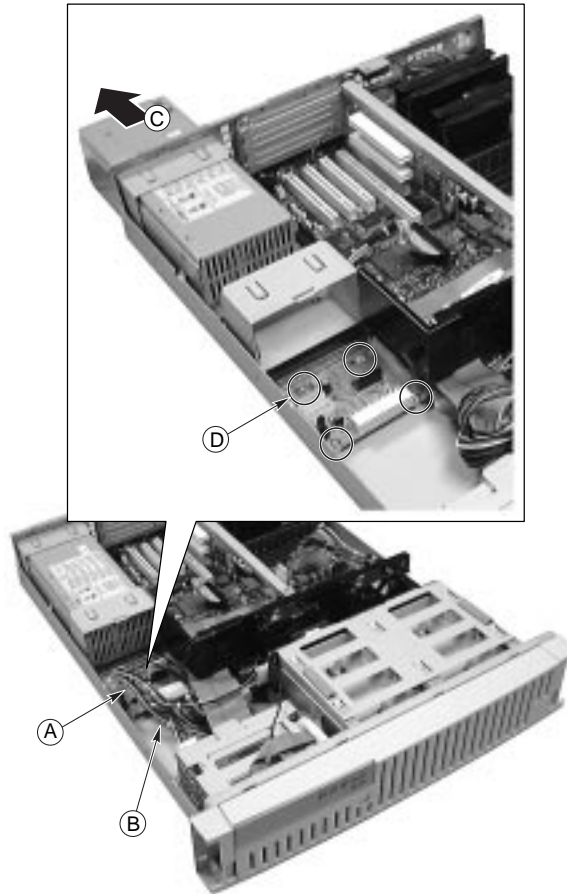
6. Slide the new power supply into the chassis and make sure it is seated in the chassis connector.
7. Close the power supply cover and re-insert the screws you set aside earlier.
8. Re-connect the power cord to the power cord receptacle and plug the cord back into its power source.

Replacing the Power Distribution Board

To replace the power distribution board:

1. Observe the safety precautions at the beginning of this chapter.
2. Remove the cover from the chassis.
3. Remove the power supply as described in the procedure on page 82.

4. Unplug the cables that connect to the power supply board (A).



OM09720

Figure 63. Removing the Power Supply Board

5. Remove and save the four screws that attach the board to the chassis.
6. Remove the existing board from the chassis and place it in an anti-static bag.
7. Place the new board in the chassis orienting it in the same manner as the previous board.
8. Insert the four, previously saved mounting screws to attach the board to the chassis.
9. Reconnect the power cables to the new board.
10. Reinstall the power supply into the chassis.
11. Replace the chassis cover if you have no additional work to do inside the chassis.

A Regulatory and Certification Information

WARNING

You must adhere to the assembly instructions in this guide to ensure and maintain compliance with existing product certifications and approvals. Use only the described, regulated components specified in this guide. Use of other products / components will void the UL Listing and other regulatory approvals of the product, and will most likely result in noncompliance with product regulations in the region(s) in which the product is sold.

Product Regulatory Compliance

The SR2050 chassis subassembly, when correctly integrated per this guide, complies with the following safety and electromagnetic compatibility (EMC) regulations.

NOTE

Certifications for the SR2050 chassis may have been obtained under the name SR2000 and/or the code BYRD.

Product Safety Compliance

- UL 1950 - CSA 950 (US/Canada)
- EN 60 950 (European Union)
- IEC60 950 (International)
- CE – Low Voltage Directive (73/23/EEC) (European Union)
- EMKO-TSE (74-SEC) 207/94 (Nordics)

Product EMC Compliance

- FCC (Class A) – Radiated & Conducted Emissions (USA)
- ICES-003 (Class A) – Radiated & Conducted Emissions (Canada)
- CISPR 22 (Class A) – Radiated & Conducted Emissions (International)
- EN55022 (Class A) – Radiated & Conducted Emissions (European Union)
- EN55024 (Immunity) (European Union)
- EN61000-3-2 – Harmonics (European Union)
- EN61000-3-3 – Voltage Flicker (European Union)
- CE – EMC Directive (89/336/EEC) (European Union)
- VCCI (Class A) – Radiated & Conducted Emissions (Japan)
- AS/NZS 3548 (Class A) – Radiated & Conducted Emissions (Australia)
- RRL (Class A) Radiated & Conducted Emissions (Korea)
- BSMI (Class A) Radiated & Conducted Emissions (Taiwan)

Product Regulatory Compliance Markings

This product is provided with the following Product Certification Markings.

- UL & cUL Listing Mark
- CE Mark
- The CE marking on this product indicates that it is in compliance with the European community's EMC (89/336/EEC) and low voltage (73/23/EEC) directives
- German GS Mark
- Russian GOST Mark
- FCC, Class A Markings (Declaration of Conformity)
- ICES-003 (Canada EMC Compliance Marking)
- VCCI, Class A Mark
- Australian C-Tick Mark
- Taiwan BSMI Class A Markings

Electromagnetic Compatibility Notices

FCC Verification Statement (USA)

Product Type: SR2050 (BYRD)

This device complies with Part 15 of the FCC Rules. Operation is subject to the following two conditions: (1) This device may not cause harmful interference, and (2) this device must accept any interference received, including interference that may cause undesired operation.

Intel Corporation
5200 N.E. Elam Young Parkway
Hillsboro, OR 97124-6497
Phone: 1-800-628-8686

This equipment has been tested and found to comply with the limits for a Class A digital device, pursuant to Part 15 of the FCC Rules. These limits are designed to provide reasonable protection against harmful interference in a residential installation. This equipment generates, uses, and can radiate radio frequency energy and, if not installed and used in accordance with the instructions, may cause harmful interference to radio communications. However, there is no guarantee that interference will not occur in a particular installation. If this equipment does cause harmful interference to radio or television reception, which can be determined by turning the equipment off and on; the user is encouraged to try to correct the interference by one or more of the following measures:

- Reorient or relocate the receiving antenna.
- Increase the separation between the equipment and the receiver.
- Connect the equipment into an outlet on a circuit different from that to which the receiver is connected.
- Consult the dealer or an experienced radio/TV technician for help.

Any changes or modifications not expressly approved by the grantee of this device could void the user's authority to operate the equipment. The customer is responsible for ensuring compliance of the modified product.

Only peripherals (computer input/output devices, terminals, printers, etc.) that comply with FCC Class A or B limits may be attached to this computer product. Operation with noncompliant peripherals is likely to result in interference to radio and TV reception.

All cables used to connect to peripherals must be shielded and grounded.
Operation with cables, connected to peripherals that are not shielded and grounded may result in interference to radio and TV reception.

ICES-003 (Canada)

Cet appareil numérique respecte les limites bruits radioélectriques applicables aux appareils numériques de Classe Aprescrites dans la norme sur le matériel brouilleur: “Appareils Numériques”, NMB-003 édictée par le Ministre Canadian des Communications.

(English translation of the notice above) This digital apparatus does not exceed the Class A limits for radio noise emissions from digital apparatus set out in the interference-causing equipment standard entitled “Digital Apparatus,” ICES-003 of the Canadian Department of Communications.

Europe (CE Declaration of Conformity)

This product has been tested in accordance too, and complies with the Low Voltage Directive (73/23/EEC) and EMC Directive (89/336/EEC). The product has been marked with the CE Mark to illustrate its compliance.

VCCI (Japan)

この装置は、情報処理装置等電波障害自主規制協議会（VCCI）の基準に基づくクラスA情報技術装置です。この装置を家庭環境で使用すると電波妨害を引き起こすことがあります。この場合には使用者が適切な対策を講ずるよう要求されることがあります。

English translation of the notice above:

This is a Class A product based on the standard of the Voluntary Control Council For Interference (VCCI) from Information Technology Equipment. If this is used near a radio or television receiver in a domestic environment, it may cause radio interference. Install and use the equipment according to the instruction manual.

BSMI (Taiwan)

The BSMI ID certification number and the following EMC warning is located on the outside rear area of the product.

警告使用者：

這是甲類的資訊產品，在居住的環境中使用時，可能會造成射頻干擾，在這種情況下，使用者會被要求採取某些適當的對策。

Lithium Battery Replacement



CAUTION

Refer to technically qualified persons only for replacement of battery.

The following warning is provided on the server board configuration label, which is provided with the Intel server board boxed product. There is insufficient space on the server board to place this label. Therefore, the label must be placed permanently on the inside of the chassis, as close to the battery as possible.



WARNING

Danger of explosion if battery is incorrectly replaced. Replace with only the same or equivalent type recommended by the manufacturer. Dispose of used batteries according to the manufacturer's instructions.



ADVARSEL!

Lithiumbatteri - Eksplosionsfare ved fejlagtig håndtering. Udskiftning må kun ske med batteri af samme fabrikat og type. Levér det brugte batteri tilbage til leverandøren.

 **ADVARSEL!**

Lithiumbatteri - Eksplosjonsfare. Ved utskifting benyttes kun batteri som anbefalt av apparatfabrikanten. Brukt batteri returneres apparatleverandøren.

 **VARNING**

Explosionsfara vid felaktigt batteribyte. Använd samma batterityp eller en ekvivalent typ som rekommenderas av apparattillverkaren. Kassera använt batteri enligt fabrikantens instruktion.

 **VAROITUS**

Paristo voi räjähtää, jos se on virheellisesti asennettu. Vaihda paristo ainoastaan laitevalmistajan suosittelemaan tyyppiin. Hävitä käytetty paristo valmistajan ohjeiden mukaisesti.

Regulated Specified Components

To maintain the UL listing and compliance to other regulatory certifications and/or declarations, the following regulated components must be used, and conditions adhered to. Interchanging or use of other component will void the UL Listing and other product certifications and approvals.

Updated product information for configurations can be found on Intel's Server Builder Web-site at <http://channel.intel.com/go/serverbuilder>. If you do not have access to Intel's web address please contact your local Intel representative.

- **SR2050 chassis** (base chassis is provided with power supply and fans)—UL listed.
- **Server board**—you must use an Intel Server Board – UL Recognized.
- **Add-in boards**—must have a printed wiring board flammability rating of minimum UL94V-1. Add-in boards containing external power connectors and/or lithium batteries must be UL Recognized or UL Listed. Any add-in board containing modem telecommunication circuitry must be UL Listed. In addition the modem must have the appropriate telecommunications, safety and EMC approvals for the region in which it is sold.

- **Peripheral storage devices**—must be UL recognized or UL listed accessory and TUV or VDE licensed. Maximum power rating of any one device is 19W. Total server configuration is not to exceed maximum loading conditions of power supply.
 - When using a UL Recognized Peripheral Storage Device, the plastic bezel must be made of a UL recognized plastic with flammability rating of UL94V-1.

Equipment Rack Precautions

WARNINGS

ANCHOR THE EQUIPMENT RACK: The equipment rack must be anchored to an unmovable support to prevent it from falling over when one or more servers are extended in front of it on slide assemblies. The anchors must be able to withstand a force of up to 113 kg (250 lbs). You must also consider the weight of any other device installed in the rack.

MAIN AC POWER DISCONNECT: You are responsible for installing an AC power disconnect for the entire rack unit. This main disconnect must be readily accessible, and it must be labeled as controlling power to the entire unit, not just to the server(s).

GROUNDING THE RACK INSTALLATION: To avoid the potential for an electrical shock hazard, you must include a third wire safety grounding conductor with the rack installation. If server power cords are plugged into AC outlets that are part of the rack, then you must provide proper grounding for the rack itself. If server power cords are plugged into wall AC outlets, the safety grounding conductor in each power cord provides proper grounding only for the server. You must provide additional, proper grounding for the rack and other devices installed in it.

Overcurrent protection: The server is designed for an AC line voltage source with up to 20 amperes of overcurrent protection. If the power system for the equipment rack is installed on a branch circuit with more than 20 amperes of protection, you must provide supplemental protection for the server. If more than one server is installed in the rack, the power source for each server must be from a separate branch circuit. The overall current rating of a server configured with three power supplies is under 12 amperes.



CAUTIONS

Temperature: The operating temperature of the server, when installed in an equipment rack, must not go below 5 °C (41 °F) or rise above 35 °C (95 °F). Extreme fluctuations in temperature can cause a variety of problems in your server.

Ventilation: The equipment rack must provide sufficient airflow to the front of the server to maintain proper cooling. It must also include ventilation sufficient to exhaust a maximum of 1440 Btu's per hour for the server. The rack selected and the ventilation provided must be suitable to the environment in which the server will be used.

B Equipment Log and Worksheets

Equipment Log

Use the blank equipment log provided here to record information about your system. You will need some of this information when you run the SSU.

Item	Manufacturer Name and Model Number	Serial Number	Date Installed
Chassis			
Server board			
Processor speed and cache			
Video display			
Video Controller			
Keyboard			
Mouse			
3.5" drive			
CD-ROM drive			
Hard disk drive 1			
Hard disk drive 2			
Hard disk drive 3			
Hard disk drive 4			

continued

Equipment Log (continued)

Item	Manufacturer Name and Model Number	Serial Number	Date Installed

Current Usage

Calculating Power Usage

The total combined wattage for your configuration **must be less than 275 watts**, with any combination of loads not to exceed maximum currents on any one channel as defined in Table 1. Use the two worksheets in this section to calculate the total used by your configuration. For current and voltage requirements of add-in boards and peripherals, see your vendor documents.

Worksheet, Calculating DC Power Usage

1. List the current for each board and device in the appropriate voltage level column.
2. Add the currents in each column. Then go to the next worksheet.

Table 1. Power Usage Worksheet 1

Device	Current (maximum) at voltage level:					
	+5Vsb	+3.3 V	+5 V	-5 V	+12 V	-12 V
Boards, processors, and memory (get totals from your board manual)						
SCSI backplane						
Front panel board						
3.5-inch drive						
CD-ROM drive			0.4 A		1.0 A	
1st hot-swap hard drive						
2nd hot-swap hard drive						
3rd hot-swap hard drive						
4th hot-swap hard drive						
Cooling fan 2, 80 mm					0.4 A	
Total Current						
Maximum Ratings (for comparison)	2.0 A	14.0 A	20.0 A	0.2 A	14.0 A	0.2 A

Worksheet, Total Combined Power Used by the System

1. From the previous worksheet, enter the total current for each column.
2. Multiply the voltage by the total current to get the total wattage for each voltage level.
3. Add the total wattage for each voltage level to arrive at a total combined power usage on the power supply.

Table 2. Power Usage Worksheet 2

Voltage level and total current (V X A = W)	Total Watts for each voltage level
(+5 Vsb) X (_____ A)	_____ W
(+3.3 V) X (_____ A)	_____ W
(+5 V) X (_____ A)	_____ W
(-5 V) X (_____ A)	_____ W
(+12 V) X (_____ A)	_____ W
(-12 V) X (_____ A)	_____ W
Total Combined Wattage	_____ W



CAUTION

Do not overload: as an overall current usage limitation on the power supply, do not exceed a combined power output of 275 watts for all DC outputs.

C Safety Warnings

WARNING: English (US)

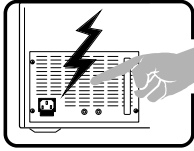
AVERTISSEMENT: Français

WARNUNG: Deutsch

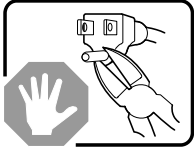
AVVERTENZA: Italiano

ADVERTENCIAS: Español

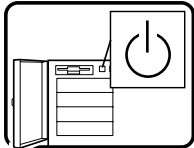
WARNING: English (US)



The power supply in this product contains no user-serviceable parts. There may be more than one supply in this product. Refer servicing only to qualified personnel.

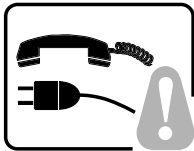


Do not attempt to modify or use the supplied AC power cord if it is not the exact type required. A product with more than one power supply will have a separate AC power cord for each supply.



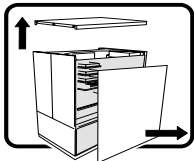
The power button on the system does not turn off system AC power. To remove AC power from the system, you must unplug each AC power cord from the wall outlet or power supply.

The power cord(s) is considered the disconnect device to the mains (AC) power. The socket outlet that the system plugs into shall be installed near the equipment and shall be easily accessible.



SAFETY STEPS: Whenever you remove the chassis covers to access the inside of the system, follow these steps:

1. Turn off all peripheral devices connected to the system.
2. Turn off the system by pressing the power button.
3. Unplug all AC power cords from the system or from wall outlets.
4. Label and disconnect all cables connected to I/O connectors or ports on the back of the system.
5. Provide some electrostatic discharge (ESD) protection by wearing an antistatic wrist strap attached to chassis ground of the system—any unpainted metal surface—when handling components.
6. Do not operate the system with the chassis covers removed.

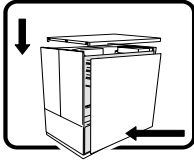


After you have completed the six SAFETY steps above, you can remove the system covers. To do this:

1. Unlock and remove the padlock from the back of the system if a padlock has been installed.
2. Remove and save all screws from the covers.
3. Remove the covers.

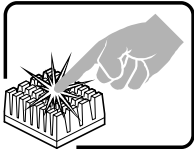
continued

WARNING: English (continued)

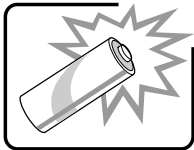


For proper cooling and airflow, always reinstall the chassis covers before turning on the system. Operating the system without the covers in place can damage system parts. To install the covers:

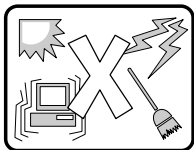
1. Check first to make sure you have not left loose tools or parts inside the system.
 2. Check that cables, add-in boards, and other components are properly installed.
 3. Attach the covers to the chassis with the screws removed earlier, and tighten them firmly.
 4. Insert and lock the padlock to the system to prevent unauthorized access inside the system.
 5. Connect all external cables and the AC power cord(s) to the system.
-



A microprocessor and heat sink may be hot if the system has been running. Also, there may be sharp pins and edges on some board and chassis parts. Contact should be made with care. Consider wearing protective gloves.



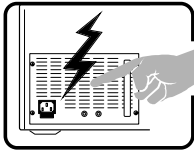
Danger of explosion if the battery is incorrectly replaced. Replace only with the same or equivalent type recommended by the equipment manufacturer. Dispose of used batteries according to manufacturer's instructions.



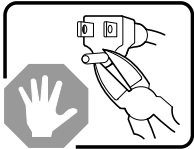
The system is designed to operate in a typical office environment. Choose a site that is:

- Clean and free of airborne particles (other than normal room dust).
 - Well ventilated and away from sources of heat including direct sunlight.
 - Away from sources of vibration or physical shock.
 - Isolated from strong electromagnetic fields produced by electrical devices.
 - In regions that are susceptible to electrical storms, we recommend you plug your system into a surge suppresser and disconnect telecommunication lines to your modem during an electrical storm.
 - Provided with a properly grounded wall outlet.
 - Provided with sufficient space to access the power supply cords, because they serve as the product's main power disconnect.
-

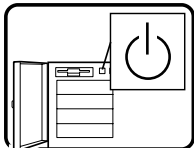
AVERTISSEMENT: Français



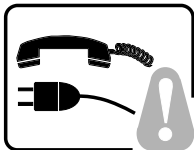
Le bloc d'alimentation de ce produit ne contient aucune pièce pouvant être réparée par l'utilisateur. Ce produit peut contenir plus d'un bloc d'alimentation. Veuillez contacter un technicien qualifié en cas de problème.



Ne pas essayer d'utiliser ni modifier le câble d'alimentation CA fourni, s'il ne correspond pas exactement au type requis. Le nombre de câbles d'alimentation CA fournis correspond au nombre de blocs d'alimentation du produit.

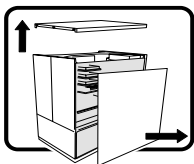


Notez que le commutateur CC de mise sous tension /hors tension du panneau avant n'éteint pas l'alimentation CA du système. Pour mettre le système hors tension, vous devez débrancher chaque câble d'alimentation de sa prise.



CONSIGNES DE SÉCURITÉ - Lorsque vous ouvrez le boîtier pour accéder à l'intérieur du système, suivez les consignes suivantes :

1. Mettez hors tension tous les périphériques connectés au système.
2. Mettez le système hors tension en mettant l'interrupteur général en position OFF (bouton-poussoir).
3. Débranchez tous les cordons d'alimentation c.a. du système et des prises murales.
4. Identifiez et débranchez tous les câbles reliés aux connecteurs d'E-S ou aux accès derrière le système.
5. Pour prévenir les décharges électrostatiques lorsque vous touchez aux composants, portez une bande antistatique pour poignet et reliez-la à la masse du système (toute surface métallique non peinte du boîtier).
6. Ne faites pas fonctionner le système tandis que le boîtier est ouvert.

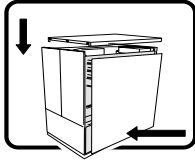


Une fois TOUTES les étapes précédentes accomplies, vous pouvez retirer les panneaux du système. Procédez comme suit :

1. Si un cadenas a été installé sur à l'arrière du système, déverrouillez-le et retirez-le.
2. Retirez toutes les vis des panneaux et mettez-les dans un endroit sûr.
3. Retirez les panneaux.

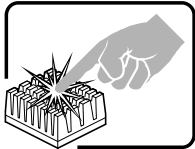
suite

AVERTISSEMENT: Français (suite)

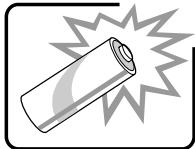


Afin de permettre le refroidissement et l'aération du système, réinstallez toujours les panneaux du boîtier avant de mettre le système sous tension. Le fonctionnement du système en l'absence des panneaux risque d'endommager ses pièces. Pour installer les panneaux, procédez comme suit :

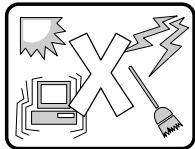
1. Assurez-vous de ne pas avoir oublié d'outils ou de pièces démontées dans le système.
 2. Assurez-vous que les câbles, les cartes d'extension et les autres composants sont bien installés.
 3. Revissez solidement les panneaux du boîtier avec les vis retirées plus tôt.
 4. Remettez le cadenas en place et verrouillez-le afin de prévenir tout accès non autorisé à l'intérieur du système.
 5. Rebranchez tous les cordons d'alimentation c. a. et câbles externes au système.
-



Le microprocesseur et le dissipateur de chaleur peuvent être chauds si le système a été sous tension. Faites également attention aux broches aiguës des cartes et aux bords tranchants du capot. Nous vous recommandons l'usage de gants de protection.



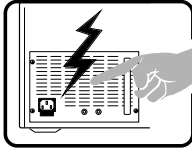
Danger d'explosion si la batterie n'est pas remontée correctement. Remplacer uniquement avec une batterie du même type ou d'un type équivalent recommandé par le fabricant. Disposez des piles usées selon les instructions du fabricant.



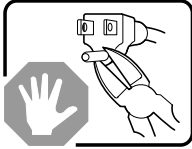
Le système a été conçu pour fonctionner dans un cadre de travail normal. L'emplacement choisi doit être :

- Propre et dépourvu de poussière en suspension (sauf la poussière normale).
 - Bien aéré et loin des sources de chaleur, y compris du soleil direct.
 - A l'abri des chocs et des sources de vibrations.
 - Isolé de forts champs électromagnétiques géenérés par des appareils électriques.
 - Dans les régions sujettes aux orages magnétiques il est recommandé de brancher votre système à un supresseur de surtension, et de débrancher toutes les lignes de télécommunications de votre modem durant un orage.
 - Muni d'une prise murale correctement mise à la terre.
 - Suffisamment spacieux pour vous permettre d'accéder aux câbles d'alimentation (ceux-ci étant le seul moyen de mettre le système hors tension).
-

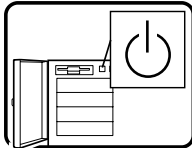
WARNUNG: Deutsch



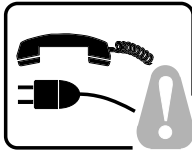
Benutzer können am Netzgerät dieses Produkts keine Reparaturen vornehmen. Das Produkt enthält möglicherweise mehrere Netzgeräte. Wartungsarbeiten müssen von qualifizierten Technikern ausgeführt werden.



Versuchen Sie nicht, das mitgelieferte Netzkabel zu ändern oder zu verwenden, wenn es sich nicht genau um den erforderlichen Typ handelt. Ein Produkt mit mehreren Netzgeräten hat für jedes Netzgerät ein eigenes Netzkabel.

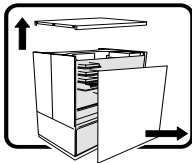


Der Wechselstrom des Systems wird durch den Ein-/Aus-Schalter für Gleichstrom nicht ausgeschaltet. Ziehen Sie jedes Wechselstrom-Netzkabel aus der Steckdose bzw. dem Netzgerät, um den Stromanschluß des Systems zu unterbrechen.



SICHERHEISSCHRIFFEN: Immer wenn Sie die Gehäuseabdeckung abnehmen um an das Systeminnere zu gelangen, sollten Sie folgende Schritte beachten:

1. Schalten Sie alle an Ihr System angeschlossenen Peripheriegeräte aus.
2. Schalten Sie das System mit dem Hauptschalter aus.
3. Ziehen Sie den Stromanschlußstecker Ihres Systems aus der Steckdose.
4. Auf der Rückseite des Systems beschriften und ziehen Sie alle Anschlußkabel von den I/O Anschlüssen oder Ports ab.
5. Tragen Sie ein geerdetes Antistatik Gelenkband, um elektrostatische Ladungen (ESD) über blanke Metallstellen bei der Handhabung der Komponenten zu vermeiden.
6. Schalten Sie das System niemals ohne ordnungsgemäß montiertes Gehäuse ein.

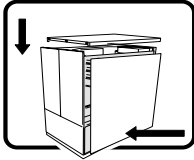


Nachdem Sie die oben erwähnten ersten sechs SICHERHEITSSCHRITTE durchgeführt haben, können Sie die Abdeckung abnehmen, indem Sie:

1. Öffnen und entfernen Sie die Verschlusseinrichtung (Padlock) auf der Rückseite des Systems, falls eine Verschlusseinrichtung installiert ist.
2. Entfernen Sie alle Schrauben der Gehäuseabdeckung.
3. Nehmen Sie die Abdeckung ab.

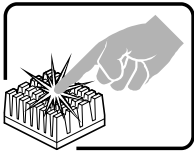
Fortsetzung

WARNUNG: Deutsch (Fortsetzung)

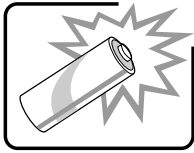


Zur ordnungsgemäßen Kühlung und Lüftung muß die Gehäuseabdeckung immer wieder vor dem Einschalten installiert werden. Ein Betrieb des Systems ohne angebrachte Abdeckung kann Ihrem System oder Teile darin beschädigen. Um die Abdeckung wieder anzubringen:

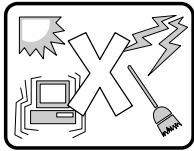
1. Vergewissern Sie sich, daß Sie keine Werkzeuge oder Teile im Innern des Systems zurückgelassen haben.
 2. Überprüfen Sie alle Kabel, Zusatzkarten und andere Komponenten auf ordnungsgemäßen Sitz und Installation.
 3. Bringen Sie die Abdeckungen wieder am Gehäuse an, indem Sie die zuvor gelösten Schrauben wieder anbringen. Ziehen Sie diese gut an.
 4. Bringen Sie die Verschlusseinrichtung (Padlock) wieder an und schließen Sie diese, um ein unerlaubtes Öffnen des Systems zu verhindern.
 5. Schließen Sie alle externen Kabel und den AC Stromanschlußstecker Ihres Systems wieder an.
-



Der Mikroprozessor und der Kühler sind möglicherweise erhitzt, wenn das System in Betrieb ist. Außerdem können einige Platinen und Gehäuseteile scharfe Spitzen und Kanten aufweisen. Arbeiten an Platinen und Gehäuse sollten vorsichtig ausgeführt werden. Sie sollten Schutzhandschuhe tragen.



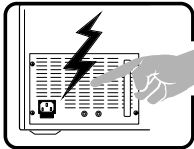
Bei falschem Einsetzen einer neuen Batterie besteht Explosionsgefahr. Die Batterie darf nur durch denselben oder einen entsprechenden, vom Hersteller empfohlenen Batterietyp ersetzt werden. Entsorgen Sie verbrauchte Batterien den Anweisungen des Herstellers entsprechend.



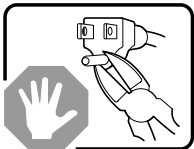
Das System wurde für den Betrieb in einer normalen Büroumgebung entwickelt. Der Standort sollte:

- sauber und staubfrei sein (Hausstaub ausgenommen);
 - gut gelüftet und keinen Heizquellen ausgesetzt sein (einschließlich direkter Sonneneinstrahlung);
 - keinen Erschütterungen ausgesetzt sein;
 - keine starken, von elektrischen Geräten erzeugten elektromagnetischen Felder aufweisen;
 - in Regionen, in denen elektrische Stürme auftreten, mit einem Überspannungsschutzgerät verbunden sein; während eines elektrischen Sturms sollte keine Verbindung der Telekommunikationsleitungen mit dem Modem bestehen;
 - mit einer geerdeten Wechselstromsteckdose ausgerüstet sein;
 - über ausreichend Platz verfügen, um Zugang zu den Netzkabeln zu gewährleisten, da der Stromanschluß des Produkts hauptsächlich über die Kabel unterbrochen wird.
-

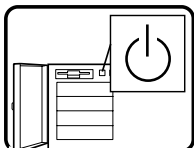
AVVERTENZA: Italiano



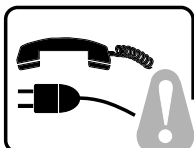
Rivolgersi ad un tecnico specializzato per la riparazione dei componenti dell'alimentazione di questo prodotto. È possibile che il prodotto disponga di più fonti di alimentazione.



Non modificare o utilizzare il cavo di alimentazione in c.a. fornito dal produttore, se non corrisponde esattamente al tipo richiesto. Ad ogni fonte di alimentazione corrisponde un cavo di alimentazione in c.a. separato.

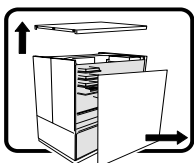


L'interruttore attivato/disattivato nel pannello anteriore non interrompe l'alimentazione in c.a. del sistema. Per interromperla, è necessario scollegare tutti i cavi di alimentazione in c.a. dalle prese a muro o dall'alimentazione di corrente.



PASSI DI SICUREZZA: Qualora si rimuovano le coperture del telaio per accedere all'interno del sistema, seguire i seguenti passi:

1. Spegner tutti i dispositivi periferici collegati al sistema.
2. Spegner il sistema, usando il pulsante spento/acceso dell'interruttore del sistema.
3. Togliere tutte le spine dei cavi del sistema dalle prese elettriche.
4. Identificare e sconnettere tutti i cavi attaccati ai collegamenti I/O od alle prese installate sul retro del sistema.
5. Qualora si tocchino i componenti, proteggersi dallo scarico elettrostatico (SES), portando un cinghia anti-statica da polso che è attaccata alla presa a terra del telaio del sistema – qualsiasi superficie non dipinta – .
6. Non far operare il sistema quando il telaio è senza le coperture.

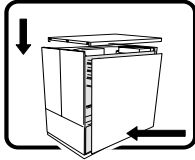


Dopo aver seguito i sei passi di SICUREZZA sopracitati, togliere le coperture del telaio del sistema come segue:

1. Aprire e rimuovere il lucchetto dal retro del sistema qualora ve ne fosse uno installato.
 2. Togliere e mettere in un posto sicuro tutte le viti delle coperture.
 3. Togliere le coperture.
-

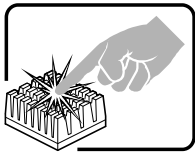
continua

AVVERTENZA: Italiano (continua)

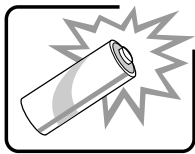


Per il giusto flusso dell'aria e raffreddamento del sistema, rimettere sempre le coperture del telaio prima di riaccendere il sistema. Operare il sistema senza le coperture al loro proprio posto potrebbe danneggiare i componenti del sistema. Per rimettere le coperture del telaio:

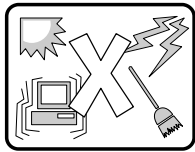
1. Controllare prima che non si siano lasciati degli attrezzi o dei componenti dentro il sistema.
 2. Controllare che i cavi, dei supporti aggiuntivi ed altri componenti siano stati installati appropriatamente.
 3. Attaccare le coperture al telaio con le viti tolte in precedenza e avvitarle strettamente.
 4. Inserire e chiudere a chiave il lucchetto sul retro del sistema per impedire l'accesso non autorizzato al sistema.
 5. Ricollegare tutti i cavi esterni e le prolunghe AC del sistema.
-



Se il sistema è stato a lungo in funzione, il microprocessore e il dissipatore di calore potrebbero essere surriscaldati. Fare attenzione alla presenza di piedini appuntiti e parti taglienti sulle schede e sul telaio. È consigliabile l'uso di guanti di protezione.



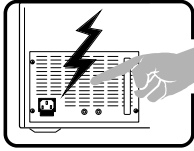
Esiste il pericolo di un'esplosione se la pila non viene sostituita in modo corretto. Utilizzare solo pile uguali o di tipo equivalente a quelle consigliate dal produttore. Per disfarsi delle pile usate, seguire le istruzioni del produttore.



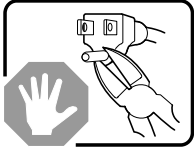
Il sistema è progettato per funzionare in un ambiente di lavoro tipo. Scegliere una postazione che sia:

- Pulita e libera da particelle in sospensione (a parte la normale polvere presente nell'ambiente).
 - Ben ventilata e lontana da fonti di calore, compresa la luce solare diretta.
 - Al riparo da urti e lontana da fonti di vibrazione.
 - Isolata dai forti campi magnetici prodotti da dispositivi elettrici.
 - In aree soggette a temporali, è consigliabile collegare il sistema ad un limitatore di corrente. In caso di temporali, scollegare le linee di comunicazione dal modem.
 - Dotata di una presa a muro correttamente installata.
 - Dotata di spazio sufficiente ad accedere ai cavi di alimentazione, i quali rappresentano il mezzo principale di scollegamento del sistema.
-

ADVERTENCIAS: Español

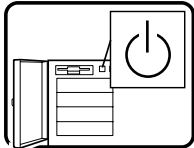


El usuario debe abstenerse de manipular los componentes de la fuente de alimentación de este producto, cuya reparación debe dejarse exclusivamente en manos de personal técnico especializado. Puede que este producto disponga de más de una fuente de alimentación.

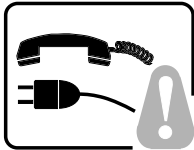


No intente modificar ni usar el cable de alimentación de corriente alterna, si no corresponde exactamente con el tipo requerido.

El número de cables suministrados se corresponden con el número de fuentes de alimentación de corriente alterna que tenga el producto.

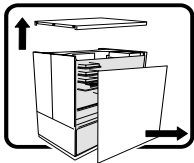


Nótese que el interruptor activado/desactivado en el panel frontal no desconecta la corriente alterna del sistema. Para desconectarla, deberá desenchufar todos los cables de corriente alterna de la pared o desconectar la fuente de alimentación.



INSTRUCCIONES DE SEGURIDAD: Cuando extraiga la tapa del chasis para acceder al interior del sistema, siga las siguientes instrucciones:

1. Apague todos los dispositivos periféricos conectados al sistema.
2. Apague el sistema presionando el interruptor encendido/apagado.
3. Desconecte todos los cables de alimentación CA del sistema o de las tomas de corriente alterna.
4. Identifique y desconecte todos los cables enchufados a los conectores E/S o a los puertos situados en la parte posterior del sistema.
5. Cuando manipule los componentes, es importante protegerse contra la descarga electrostática (ESD). Puede hacerlo si utiliza una muñequera antiestática sujeta a la toma de tierra del chasis — o a cualquier tipo de superficie de metal sin pintar.
6. No ponga en marcha el sistema si se han extraído las tapas del chasis.

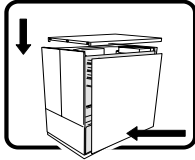


Después de completar las seis instrucciones de SEGURIDAD mencionadas, ya puede extraer las tapas del sistema. Para ello:

1. Desbloquee y extraiga el bloqueo de seguridad de la parte posterior del sistema, si se ha instalado uno.
2. Extraiga y guarde todos los tornillos de las tapas.
3. Extraiga las tapas.

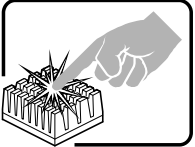
continúa

ADVERTENCIAS: Español (continúa)

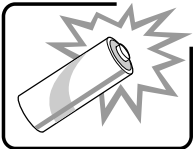


Para obtener un enfriamiento y un flujo de aire adecuados, reinstale siempre las tapas del chasis antes de poner en marcha el sistema. Si pone en funcionamiento el sistema sin las tapas bien colocadas puede dañar los componentes del sistema. Para instalar las tapas:

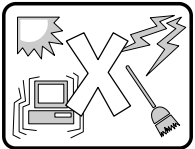
1. Asegúrese primero de no haber dejado herramientas o componentes sueltos dentro del sistema.
2. Compruebe que los cables, las placas adicionales y otros componentes se hayan instalado correctamente.
3. Incorpore las tapas al chasis mediante los tornillos extraídos anteriormente, tensándolos firmemente.
4. Inserte el bloqueo de seguridad en el sistema y bloquéelo para impedir que pueda accederse al mismo sin autorización.
5. Conecte todos los cables externos y los cables de alimentación CA al sistema.



Si el sistema ha estado en funcionamiento, el microprocesador y el dissipador de calor pueden estar aún calientes. También conviene tener en cuenta que en el chasis o en el tablero puede haber piezas cortantes o punzantes. Por ello, se recomienda precaución y el uso de guantes protectores.



Existe peligro de explosión si la pila no se cambia de forma adecuada. Utilice solamente pilas iguales o del mismo tipo que las recomendadas por el fabricante del equipo. Para deshacerse de las pilas usadas, siga igualmente las instrucciones del fabricante.



El sistema está diseñado para funcionar en un entorno de trabajo normal. Escoja un lugar:

- Limpio y libre de partículas en suspensión (salvo el polvo normal).
- Bien ventilado y alejado de fuentes de calor, incluida la luz solar directa.
- Alejado de fuentes de vibración.
- Aislado de campos electromagnéticos fuertes producidos por dispositivos eléctricos.
- En regiones con frecuentes tormentas eléctricas, se recomienda conectar su sistema a un eliminador de sobrevoltage y desconectar el módem de las líneas de telecomunicación durante las tormentas.
- Provisto de una toma de tierra correctamente instalada.
- Provisto de espacio suficiente como para acceder a los cables de alimentación, ya que éstos hacen de medio principal de desconexión del sistema.

D Warranty

Limited Warranty for Intel® Chassis Subassembly Products

Intel warrants that the Products (defined herein as the Intel® chassis subassembly and all of its various components and software delivered with or as part of the Products) to be delivered hereunder, if properly used and installed, will be free from defects in material and workmanship and will substantially conform to Intel's publicly available specifications for a period of three (3) years after the date the Product was purchased from an Intel authorized distributor. Software of any kind delivered with or as part of products is expressly provided "as is" unless specifically provided for otherwise in any software license accompanying the software.

If any Product furnished by Intel which is the subject of this Limited Warranty fails during the warranty period for reasons covered by this Limited Warranty, Intel, at its option, will:

- **REPAIR** the Product by means of hardware and/or software; OR
- **REPLACE** the Product with another Product; OR
- **REFUND** the then-current value of the Product if Intel is unable to repair or replace the Product.

If such Product is defective, transportation charges for the return of Product to buyer within the USA will be paid by Intel. For all other locations, the warranty excludes all costs of shipping, customs clearance, and other related charges. Intel will have a reasonable time to make repairs or to replace Product or to refund the then-current value of the Product.

In no event will Intel be liable for any other costs associated with the replacement or repair of Product, including labor, installation or other costs incurred by buyer

This Limited Warranty, and any implied warranties that may exist under state law, apply only to the original purchaser of the Product.

Extent of Limited Warranty

Intel does not warrant that Products to be delivered hereunder, whether delivered stand-alone or integrated with other Products, including without limitation semiconductor components, will be free from design defects or errors known as “errata”. Current characterized errata are available upon request.

This Limited Warranty does not cover damages due to external causes, including accident, problems with electrical power, usage not in accordance with product instructions, misuse, neglect, alteration, repair, improper installation, or improper testing.

Warranty Limitations and Exclusions

These warranties replace all other warranties, expressed or implied including, but not limited to, the implied warranties of merchantability and fitness for a particular purpose. Intel makes no expressed warranties beyond those stated here. Intel disclaims all other warranties, expressed or implied including, without limitation, implied warranties of merchantability and fitness for a particular purpose. Some jurisdictions do not allow the exclusion of implied warranties, so this limitation may not apply.

All expressed and implied warranties are limited in duration to the limited warranty period. No warranties apply after that period. Some jurisdictions do not allow limitations on how long an implied warranty lasts, so this limitation may not apply to you.

Limitations of Liability

Intel’s responsibility under this, or any other warranty, implied or expressed, is limited to repair, replacement or refund, as set forth above. These remedies are the sole and exclusive remedies for any breach of warranty. Intel is not responsible for direct, special, incidental, or consequential damages resulting from any breach of warranty under another legal theory including, but not limited to, lost profits, downtime, goodwill, damage to or replacement of equipment and property, and any costs of recovering, reprogramming, or reproducing any program or data stored in or used with a system containing this product. Some jurisdictions do not allow the exclusion or limitation of incidental or consequential damages, so the above limitations or exclusions may not apply to you.

This limited warranty gives you specific legal rights, and you may also have other rights that vary from jurisdiction to jurisdiction.

Any and all disputes arising under or related to this Limited Warranty shall be adjudicated in the following forums and governed by the following laws: for the United States of America, Canada, North America and South America, the forum shall be Santa Clara, California, USA and the applicable law shall be that of the State of California, USA; for the Asia Pacific region, the forum shall be Singapore and the applicable law shall be that of Singapore; for Europe and the rest of the world, the forum shall be London and the applicable law shall be that of the United Kingdom.

In the event of any conflict between the English language version and any other translated version(s) of this Limited Warranty, the English language version shall control.

How to Obtain Warranty Service

To obtain warranty service for this Product, you may contact Intel or your authorized distributor.

North America—Call Intel at 1-800-628-8686 during the warranty period during normal business hours (pacific time), excluding holidays. Please be prepared to provide: (1) your name, address, and telephone numbers; (2) model name and serial number of the Product; (3) an explanation of the problem. The customer service representative may need additional information from you depending on the nature of the problem.

In Europe, Asia, or South America—Contact your original authorized distributor for warranty service.

Any replacement Product is warranted under this written warranty and is subject to the same limitations and exclusions for the remainder of the original warranty period.

Telephone Support

If you can't find the information you need on Intel's World Wide Web site (<http://www.intel.com>), call your local distributor or an Intel Customer Support representative.

Country	Customer Support Telephone Number	Hours (Monday-Friday)	Billing
United States	1-900-555-5800	7:00 - 17:00	\$2.50/minute
United States & Canada	1-800-404-2284	7:00 - 17:00 PST	Credit card calls \$25.00/incident
European Community English: Francaise: Deutsch: Italiano:	+44-131-458-6847 +44-131-458-6848 +44-131-458-6954 +44-131-458-6951	UK time 8:00 - 17:00 (M, Th, F) 8:00 - 16:00 (Tues - W)	Credit Card Calls \$25.00/incident Levied in local currency at the applicable credit card exchange rate plus applicable VAT
Asia-Pacific Australia: Hong Kong: Korea: Manila: PRC: Singapore: Taiwan:	+1-800-649-931 +852-2-844-4456 +822-767-2595 +886-2-718-9915 +852-2-844-4456 +65-831-1311 +886-2-718-9915	Singapore local time Oct-April: 6:00 - 16:00 April-Oct: 5:00 - 16:00	Credit card calls \$25.00/incident
Everywhere else	+916-377-7000	7:00 - 17:00 PST	Credit card calls \$25.00/incident

Returning a Defective Product

Before returning any product, call your authorized dealer/distribution authority.

- From Europe:
 - in English +44 1793 431144
 - in French +44 1793 421777
 - in German +44 1793 421333
- All other locations: +(503) 264-7000

If the customer support group verifies that your product is defective, you will receive a Return Material Authorization (RMA) number to place on the outer package of the product. Intel can not accept any product without an RMA number on the package.

