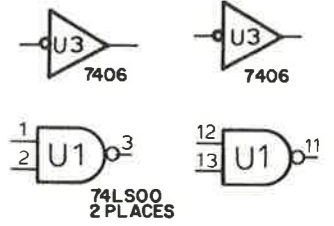


REVISIONS					
LTR	DESCRIPTION	DR	CHK	APPR'D	DATE
A	RELEASE	S.H.			6-30
B	ECN #4785	3-03	SH	7/06	7/03

NOTES: UNLESS OTHERWISE SPECIFIED
 1. ALL RESISTORS ARE 2.2K OHMS, 1/4W, 5%.
 2. ALL CAPACITORS ARE IN MICROFARADS.
 3. LAST REFERENCE DESIGNATOR USED:
 U23, C9, RP4, R12, J2

IC	+5V	GND
U1-3, 5, 7, 8, 10	14	7
U23	16	8

UNUSED GATES:



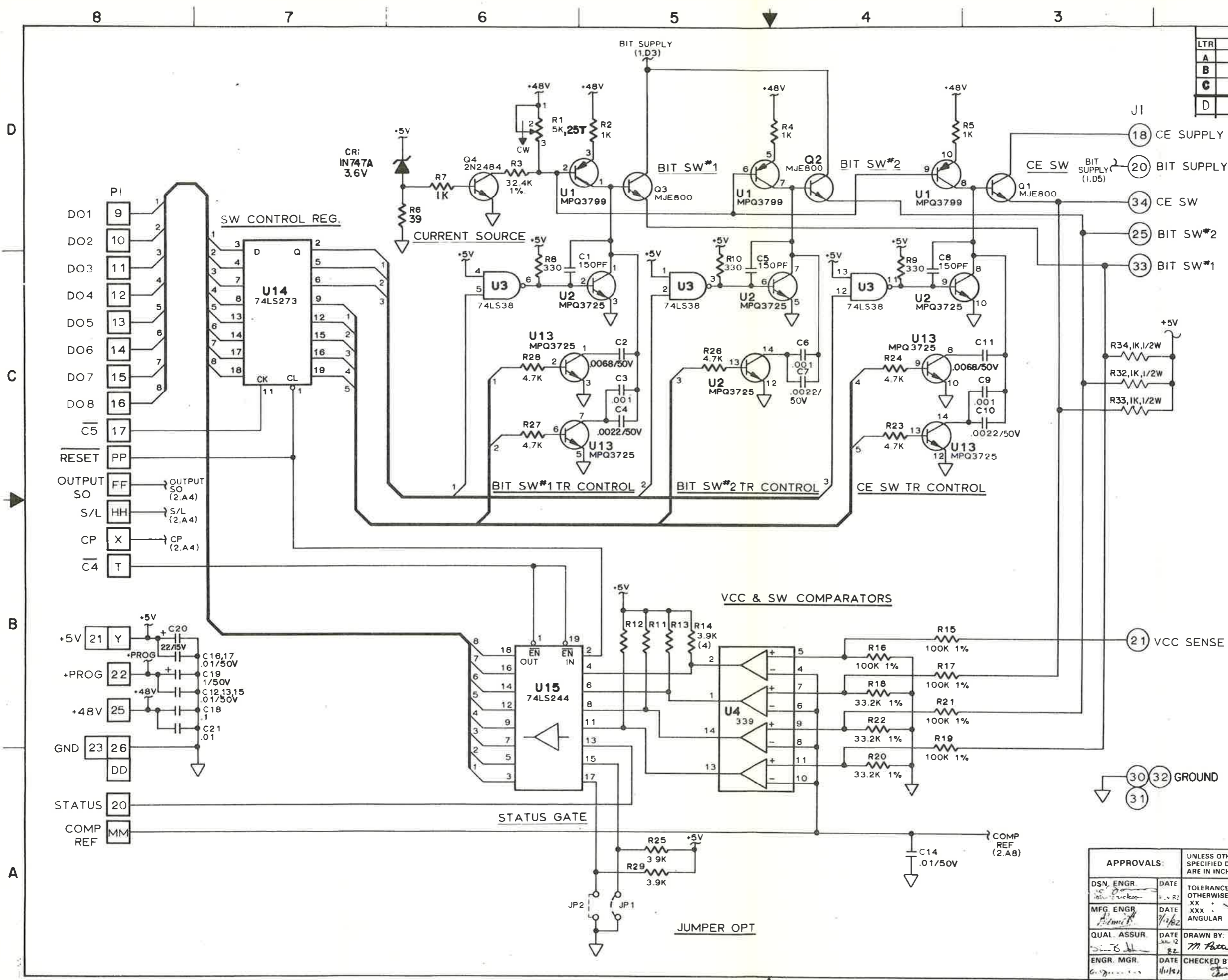
APPROVALS:		UNLESS OTHERWISE SPECIFIED DIMENSIONS ARE IN INCHES	
DSN ENGR	DATE	TOLERANCES, UNLESS OTHERWISE SPECIFIED	
MFG ENGR	DATE	XX	ANGULAR
QUAL ASSUR	DATE	DRAWN BY JAEHEE KIM	
ENGR MGR	DATE	CHECKED BY	DATE

DATA I/O

TITLE SCHEMATIC DIAGRAM,
SINK DRIVER

SIZE	CODE IDENT	DRAWING NO
D	54193	30-701-1940
SCALE	SHEET 1 OF 1	

REVISIONS				
LTR	DESCRIPTION	DR	CHK	APPR'D DATE
A	RELEASE	MP		6-30
B	ECN 4677	JK		10-20
C	ECN 4766			
D	ECN 4785	3-83	SH	6/83



- NOTES: UNLESS OTHERWISE SPECIFIED
1. ALL RESISTORS ARE IN OHMS 1/4W, 5%.
 2. ALL CAPACITORS ARE IN MFD, 100V.
 3. LAST REF DES USED
R34, C21, JP2, Q7, CR1, U21, J2
 4. POWER AND GROUND.

REF DES	+5	GND	PROG
U3	14	7	
U4-U12	12	3	
U14, 15	20	10	
U16, 18, 21, 9	16	8	

APPROVALS:		UNLESS OTHERWISE SPECIFIED DIMENSIONS ARE IN INCHES		DATA I/O			
DSN, ENGR	DATE	TOLERANCES, UNLESS OTHERWISE SPECIFIED:					
MFG ENGR	DATE	XXX		SCHEMATIC DIAGRAM,			
QUAL ASSUR	DATE	ANGULAR		T/RISE COMPARTOR			
ENGR MGR	DATE	DRAWN BY:	DATE	SIZE	CODE IDENT.	DRAWING NO.	
		M. Patten	2/25/82	D	54193	30-701-1941	
		CHECKED BY:	DATE	SCALE		SHEET 10F2	

8

7

6

5

4

3

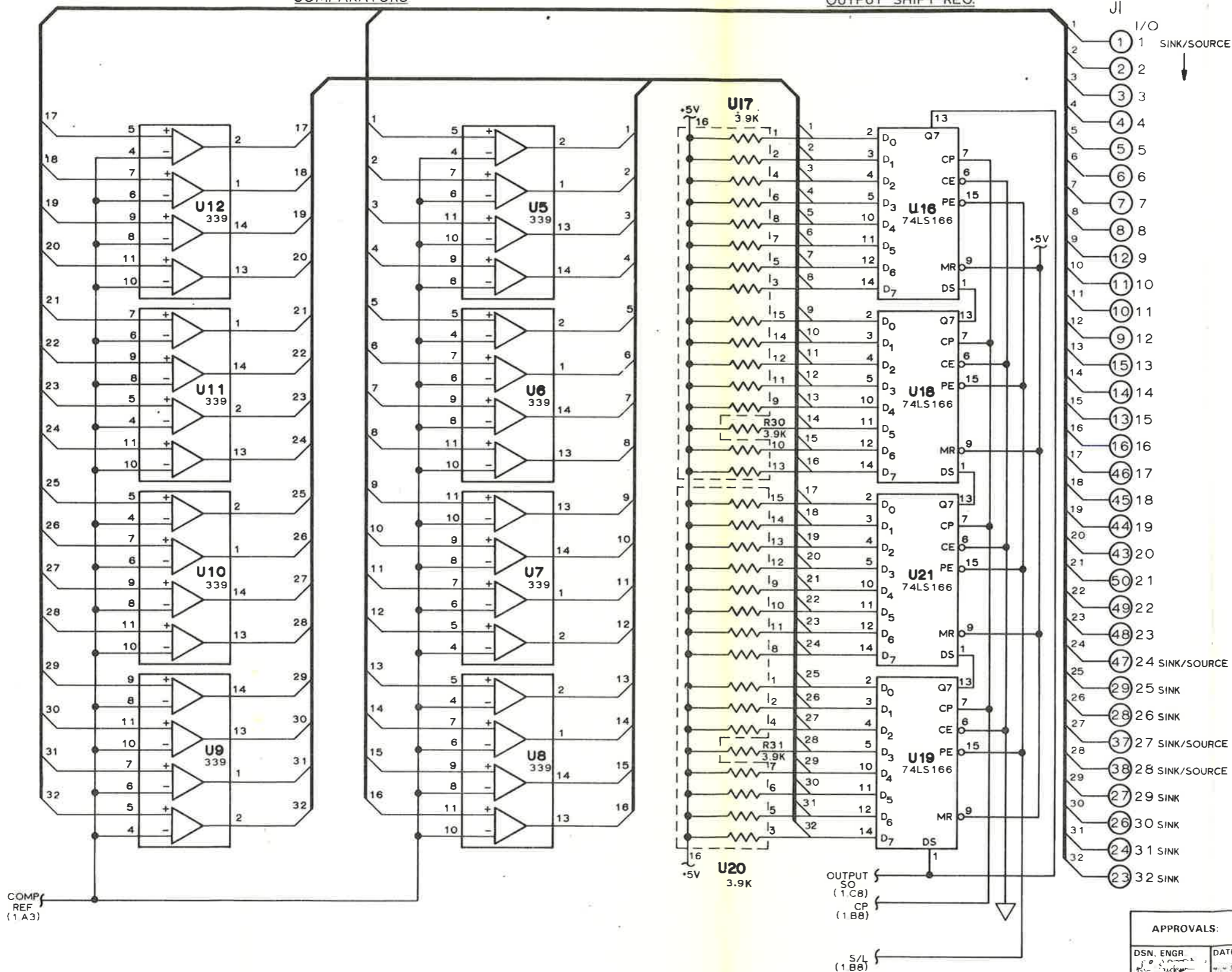
2

1

REVISIONS					
LTR	DESCRIPTION	DR	CHK	APPR'D	DATE
A	SEE SHT 1	MIT		6-8	6-30
B	SEE SHT 1	JK			10-20
C	SEE SHT 1	HP			2-4-
D	SEE SHT 1	3-83	SH	7/6	6/9 3/83

COMPARATORS

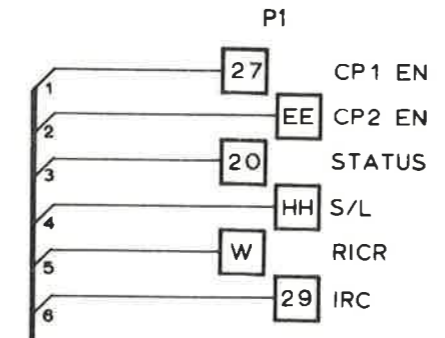
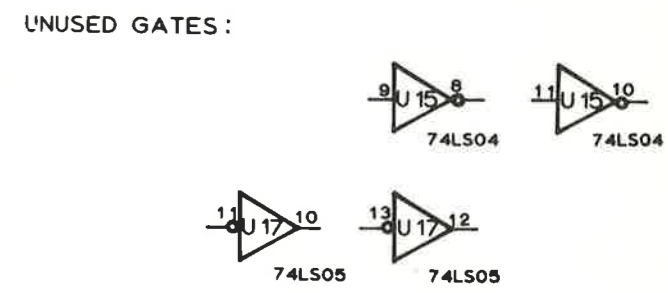
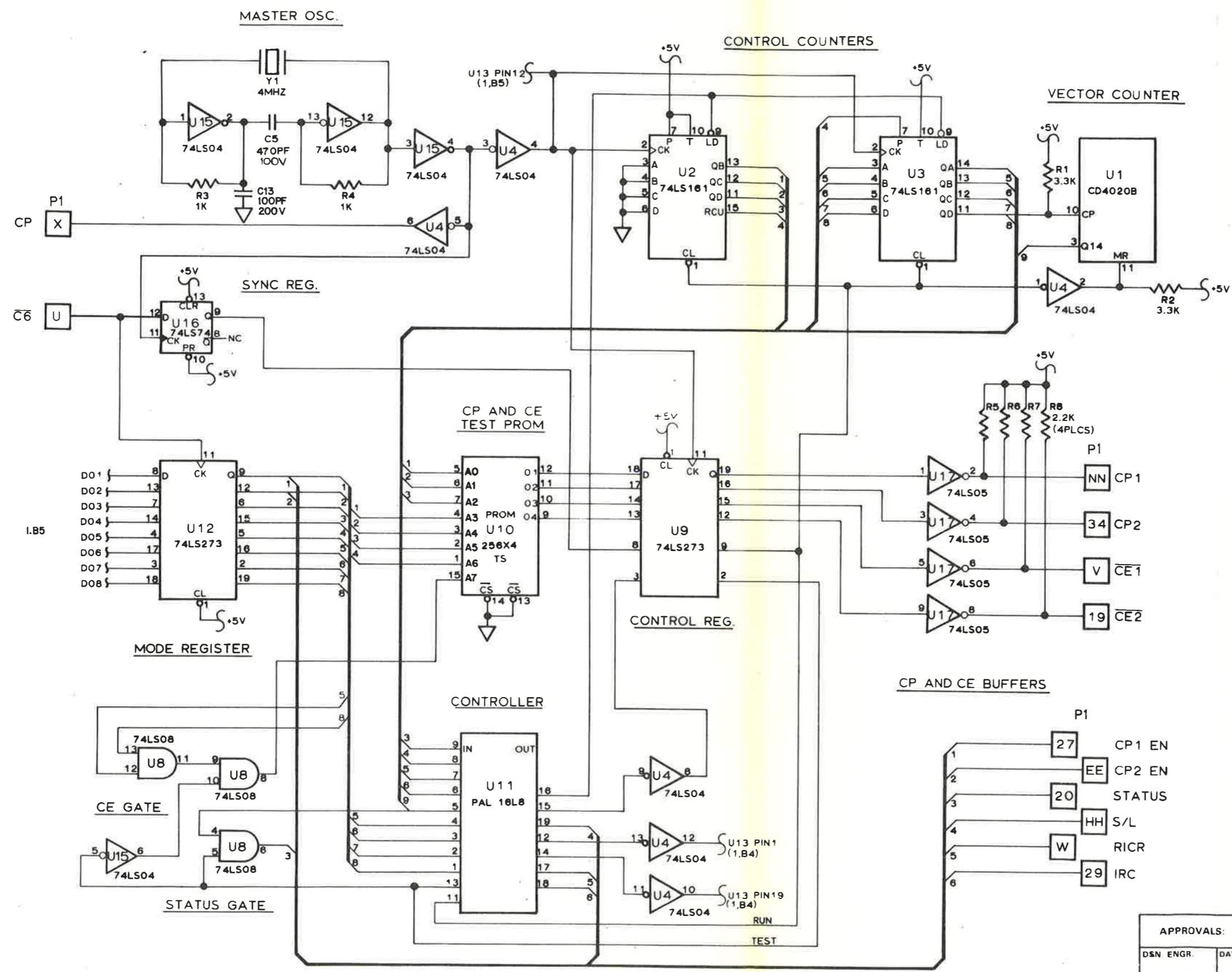
OUTPUT SHIFT REG.



APPROVALS:		UNLESS OTHERWISE SPECIFIED DIMENSIONS ARE IN INCHES		DATA I/O	
DSN. ENGR	DATE	TOLERANCES, UNLESS OTHERWISE SPECIFIED:			
MFG ENGR	DATE	XX		TITLE SCHEMATIC DIAGRAM, T/RISE COMPARTOR	
QUAL ASSUR	DATE	XXX			
ENGR MGR	DATE	DRAWN BY	DATE	SIZE	CODE IDENT
		7/1/82	3/25/82	D	54193
		CHECKED BY	DATE	DRAWING NO	
				30-701-1941	
SCALE				SHEET 2 OF 2	

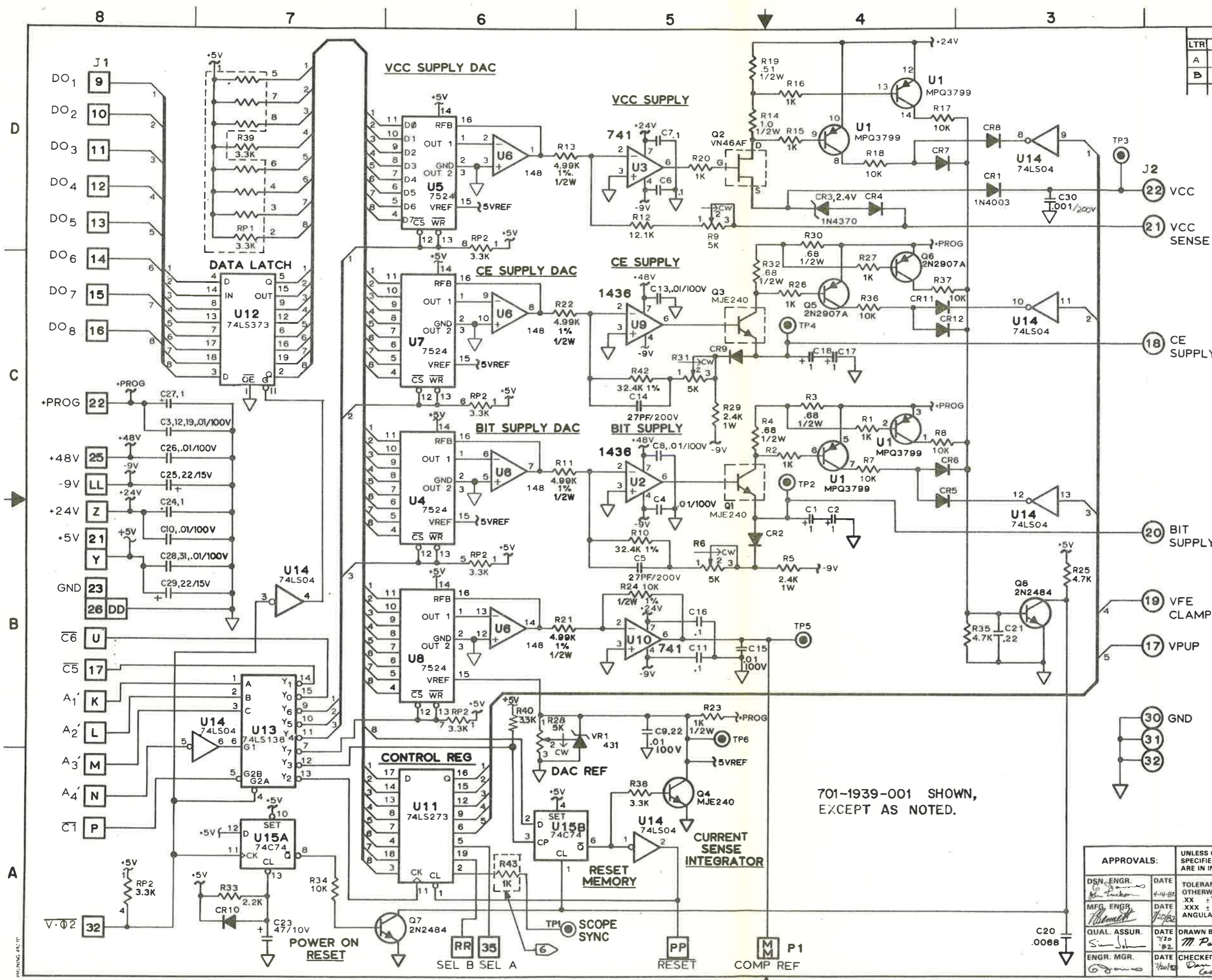
REVISIONS					
LTR	DESCRIPTION	DR	CHK	APPR'D	DATE
A	SEE SHEET ONE	JK	JK	CG	6.30
B		JK	JK	CG	3/83
C		JK	JK	CG	3/83
D		CL			

D
C
B
A



APPROVALS:		UNLESS OTHERWISE SPECIFIED DIMENSIONS ARE IN INCHES		DATA I/O	
DSN ENGR	DATE	TOLERANCES, UNLESS OTHERWISE SPECIFIED XXX ANGULAR			
MFG ENGR	DATE			TITLE SCHEMATIC DIAGRAM, CONTROLLER/MEMORY	
QUAL ASSUR	DATE	DRAWN BY	DATE	SIZE	CODE INDENT NO.
ENGR MGR	DATE	JAEHEE KIM	1/82	D	54193
		CHCK'D BY	DATE	SCALE	DRAWING NO.
					30-701-1942
				SHEET	20F2

REVISIONS					
LTR	DESCRIPTION	DR	CHK	APPR'D	DATE
A	RELEASE	MP	7/16	GS	7/20/82
B	ECN #4785	3-83	SH	7/10	6/9



NOTES: UNLESS OTHERWISE SPECIFIED.

- ALL RESISTORS ARE IN OHMS, 1/4W, 5%.
- ALL CAPACITORS ARE IN MICROFARADS, 50V.
- LAST REF DES USED.
RP2, U15, C31, Q8, CR12, R43, TP6, VR1.
- POWER AND GROUND.

REF. DES.	+5V	GND	+24V	-9V
U14,15	14	7		
U11,12	20	10		
U13	16	8		
U8			4	11

5. ALL DIODES ARE 1N4148.
6-002 SHOWN.

701-1939-001 SHOWN, EXCEPT AS NOTED.

APPROVALS:		UNLESS OTHERWISE SPECIFIED DIMENSIONS ARE IN INCHES.		TITLE	
DSN ENGR	DATE	TOLERANCES, UNLESS OTHERWISE SPECIFIED:	DATA I/O		
MFG ENGR	DATE	XX ±	TITLE SCHEMATIC DIAGRAM,		
QUAL ASSUR	DATE	XXX ±	WAVE FORM GENERATOR		
ENGR MGR	DATE	ANGULAR	SIZE	CODE INCH.	DRAWING NO.
			D	54193	30-701-1939
			SCALE		SHEET 1 OF 1

8

7

6

5

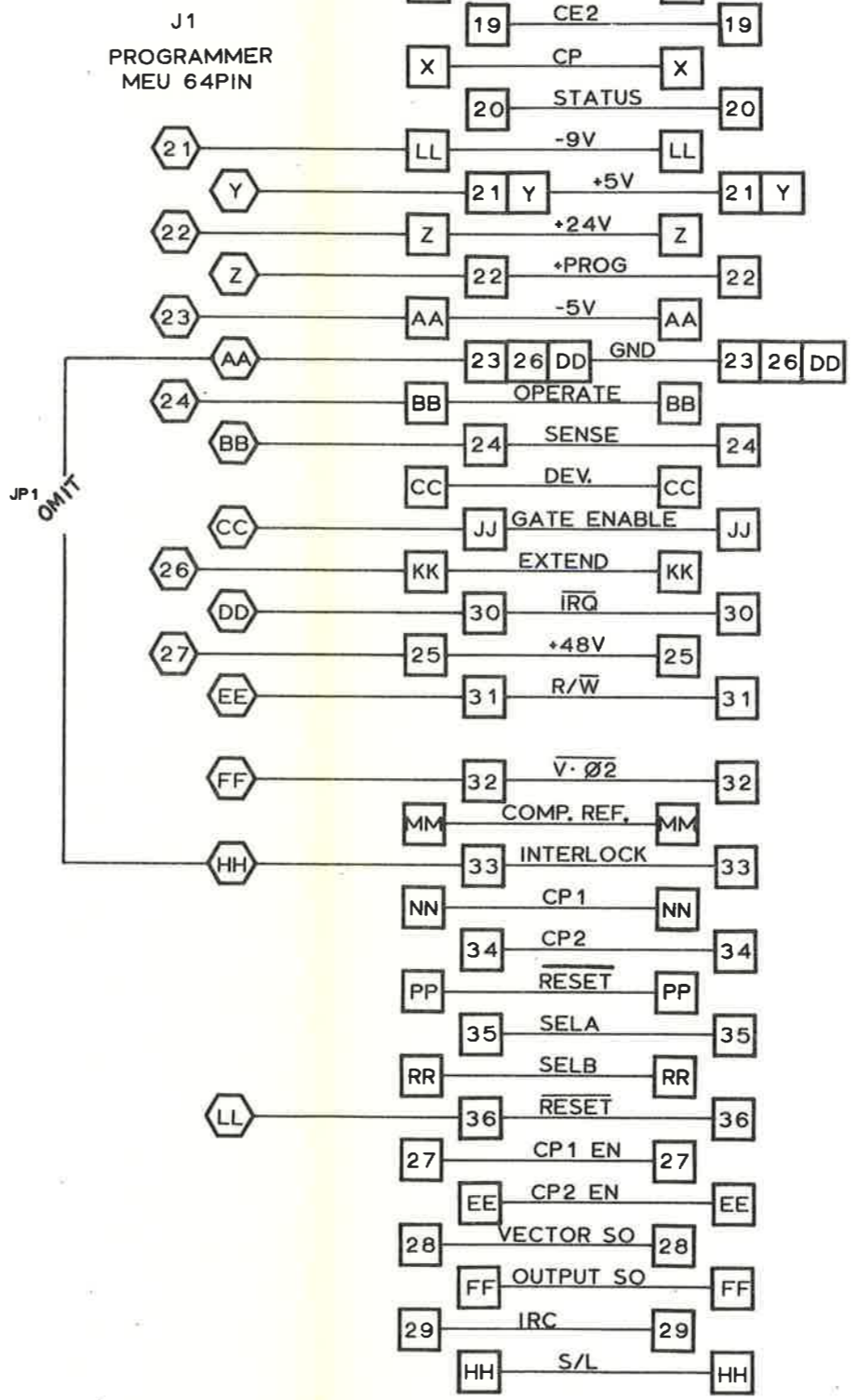
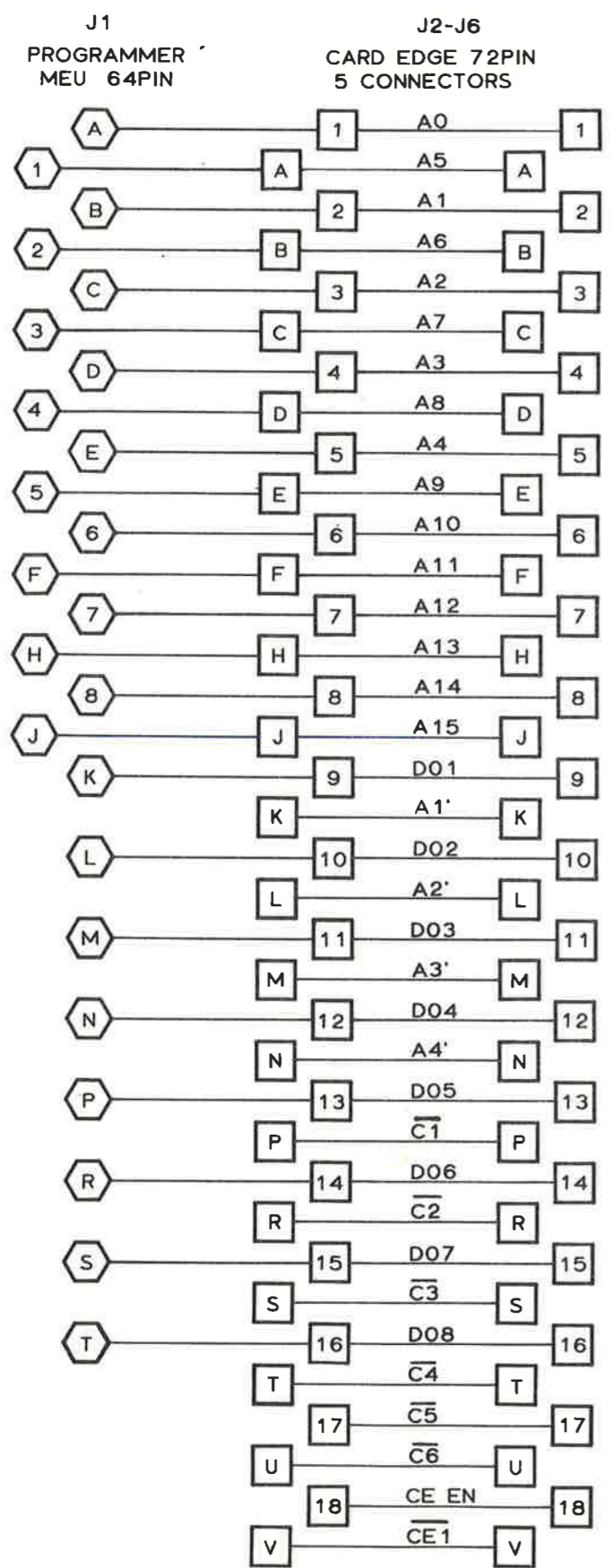
4

3

2

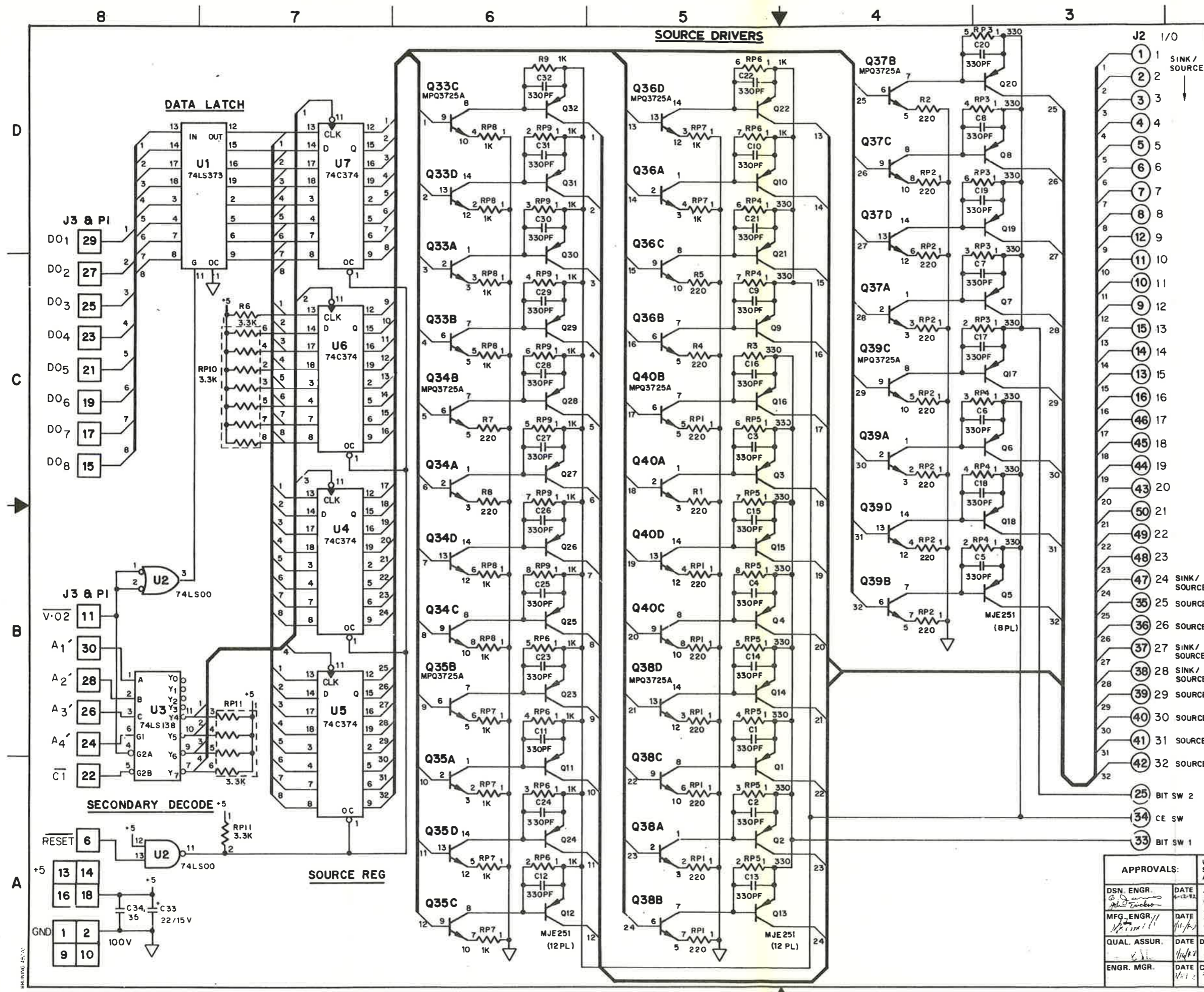
1

REVISIONS					
LTR	DESCRIPTION	DR	CHK	APPR'D	DATE
A	RELEASE	JK			11/18/81
B	ECN 4691	CL			
C	ECN #4785	3-83	SH	4/1/83	3/23



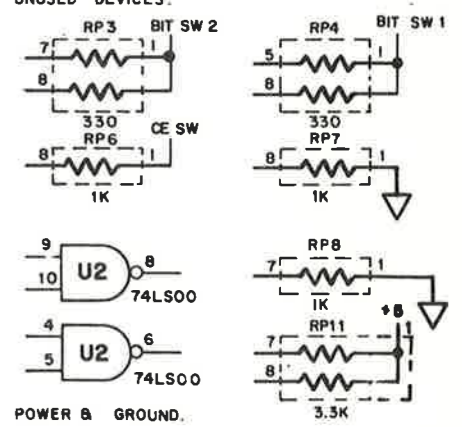
NOTES: UNLESS OTHERWISE SPECIFIED
 1. LAST REFERENCE DESIGNATOR USED:
 JP1, J6

APPROVALS:		UNLESS OTHERWISE SPECIFIED DIMENSIONS ARE IN INCHES.		DATA I/O			
DSN ENGR.	DATE	TOLERANCES, UNLESS OTHERWISE SPECIFIED:					
MFG. ENGR.	DATE	XX ±		MOTHER BOARD			
QUAL. ASSUR.	DATE	.XXX ±		SIZE	CODE INCH.	DRAWING NO.	
ENGR. MGR.	DATE	ANGULAR		D	54193	30-702-1938	
DRAWN BY: JAEHEE KIM		DATE: 12/81	SCALE: 12-17-81	SHEET 1 OF 1			



REVISIONS					
LTR	DESCRIPTION	DR	CHK	APPR'D	DATE
A	RELEASE	MP	7/1	7/11/82	
B	ECN # 4785	3-83	SH	7/11/82	3/3

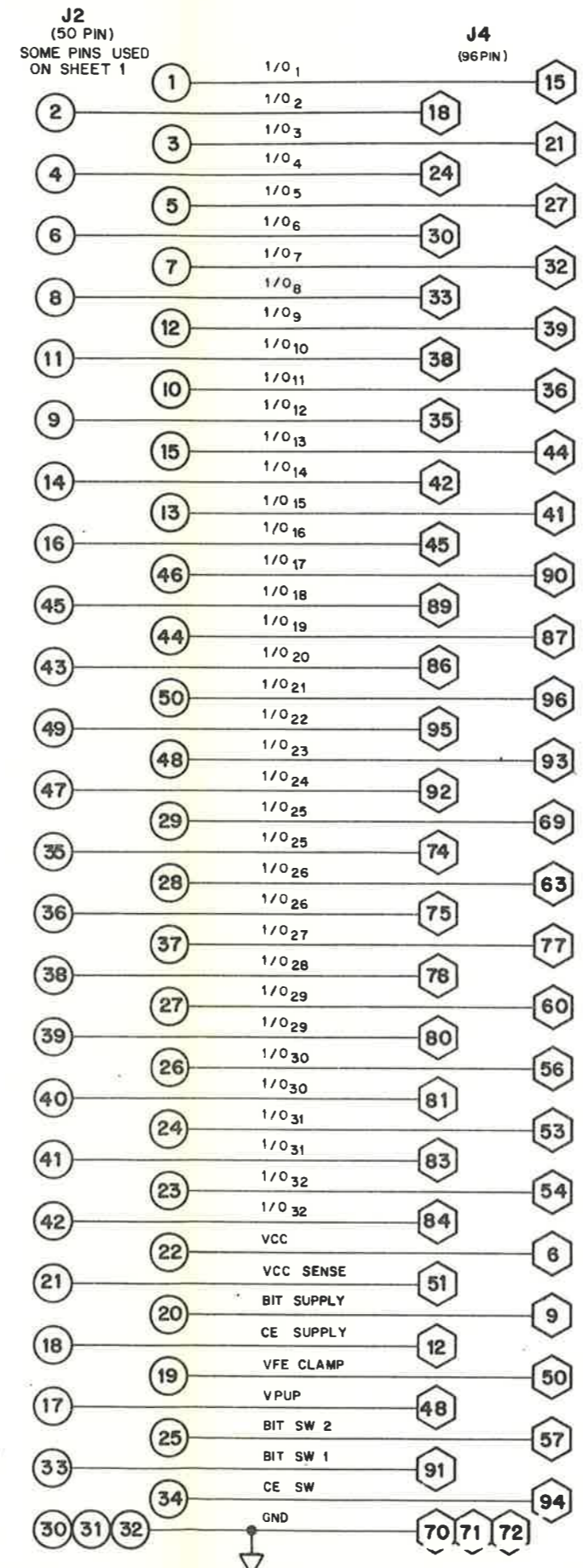
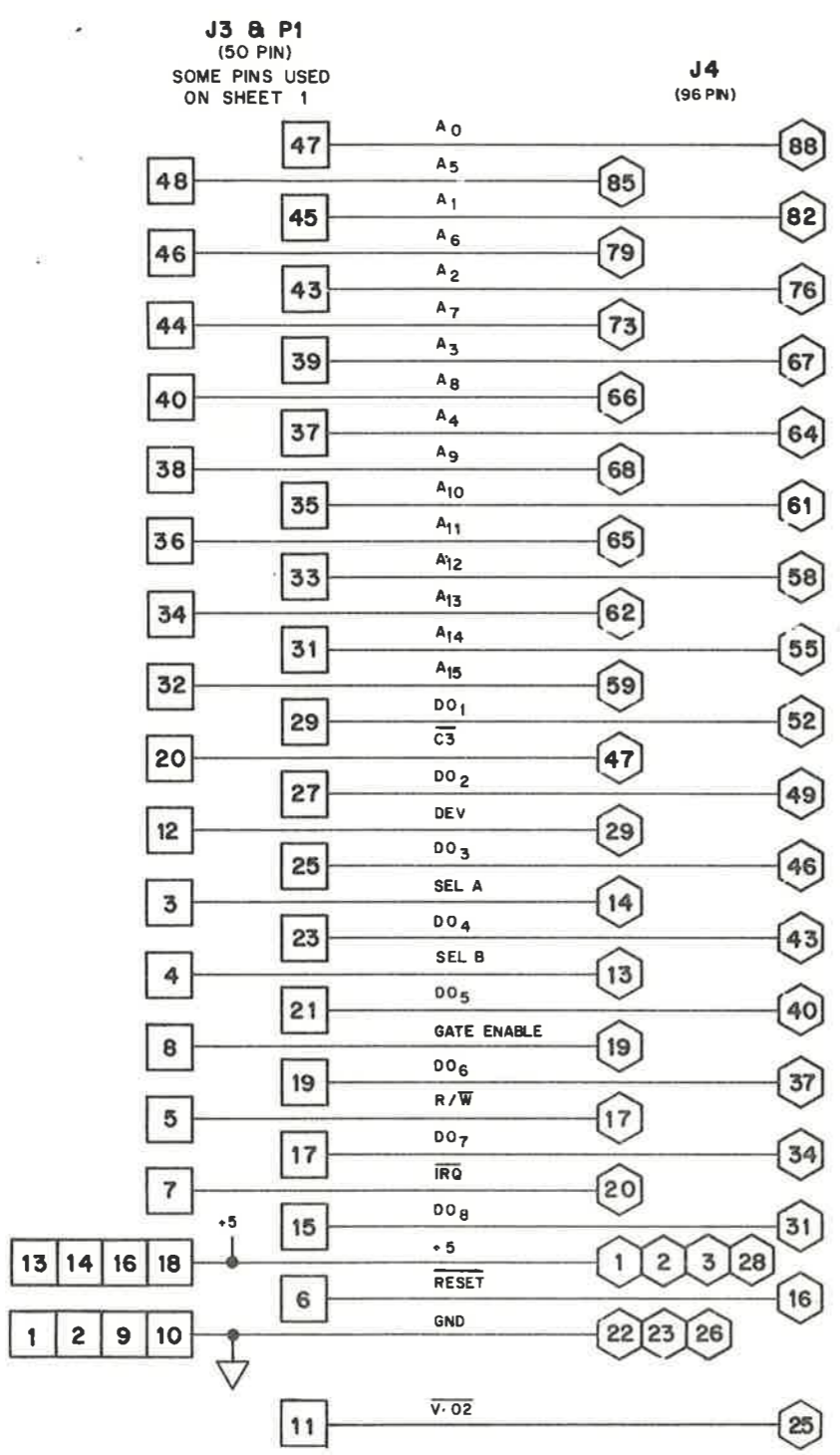
- NOTES: UNLESS OTHERWISE SPECIFIED.**
- ALL RESISTORS ARE IN OHMS, 1/4W, 5%.
 - ALL CAPACITORS ARE IN MICROFARADS, 1KV, 10%.
 - LAST REF DES USED.
C35, R9, Q40, RP11, U7, J3.
 - UNUSED DEVICES.



REF DES	+5	GND
U1,4-7	20	10
U3	16	8
U2	14	7

APPROVALS:		UNLESS OTHERWISE SPECIFIED DIMENSIONS ARE IN INCHES.		TITLE	
DSN. ENGR.	DATE	TOLERANCES, UNLESS OTHERWISE SPECIFIED:		SCHEMATIC DIAGRAM, PIN DRIVER	
MFG. ENGR.	DATE	XX ± XXX ± ANGULAR			
QUAL. ASSUR.	DATE	DRAWN BY:	DATE	SIZE	CODE IDENT. NO.
ENGR. MGR.	DATE	CHECKED BY:	DATE	D	54193
SCALE				DRAWING NO. 30-702-1943	
				SHEET 1 OF 2	

REVISIONS					
LTR	DESCRIPTION	DR	CHK	APPR'D	DATE
A	SEE SHT 1				
B		3-83	SH	7/69	3/83



APPROVALS:		UNLESS OTHERWISE SPECIFIED DIMENSIONS ARE IN INCHES.		DATA I/O			
DSN ENGR. <i>B. Jones</i>	DATE 4-12-83	TOLERANCES, UNLESS OTHERWISE SPECIFIED: XX ± XXX ± ANGULAR		TITLE SCHEMATIC DIAGRAM PIN DRIVER			
MFG ENGR.	DATE	DRAWN BY: <i>M. Patten</i>		DATE 5/3/82	SIZE D	CODE IDENT. 54193	DRAWING NO. 30-702-1943
QUAL ASSUR.	DATE	CHECKED BY: <i>S. J. Richardson</i>		DATE 4-22-83	SCALE		SHEET 2 OF 2

4

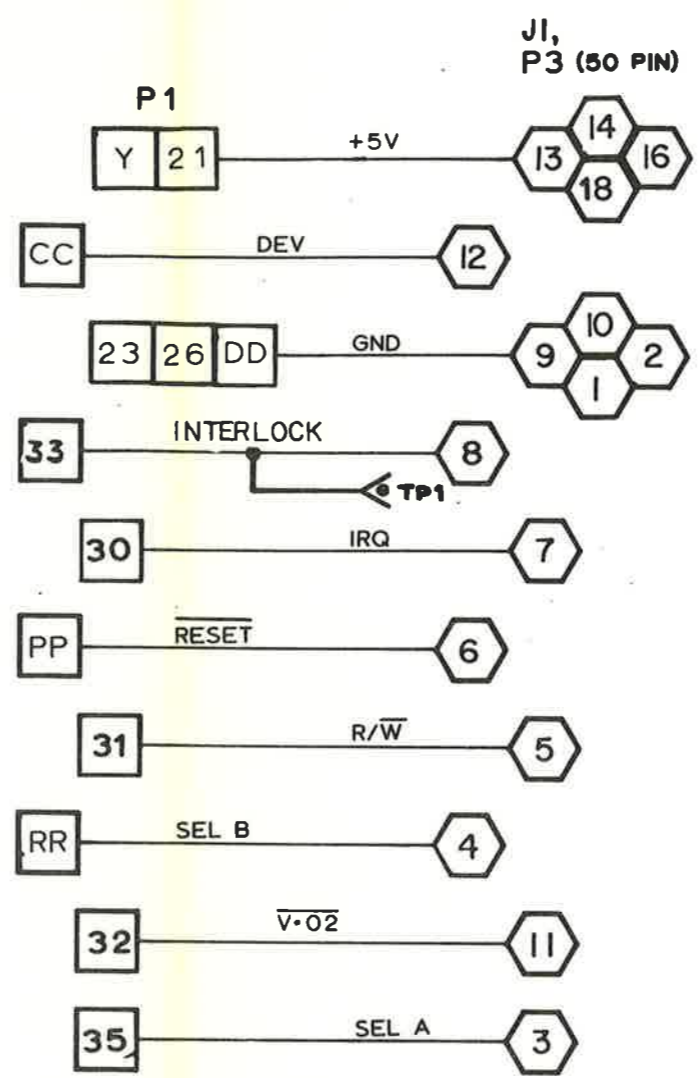
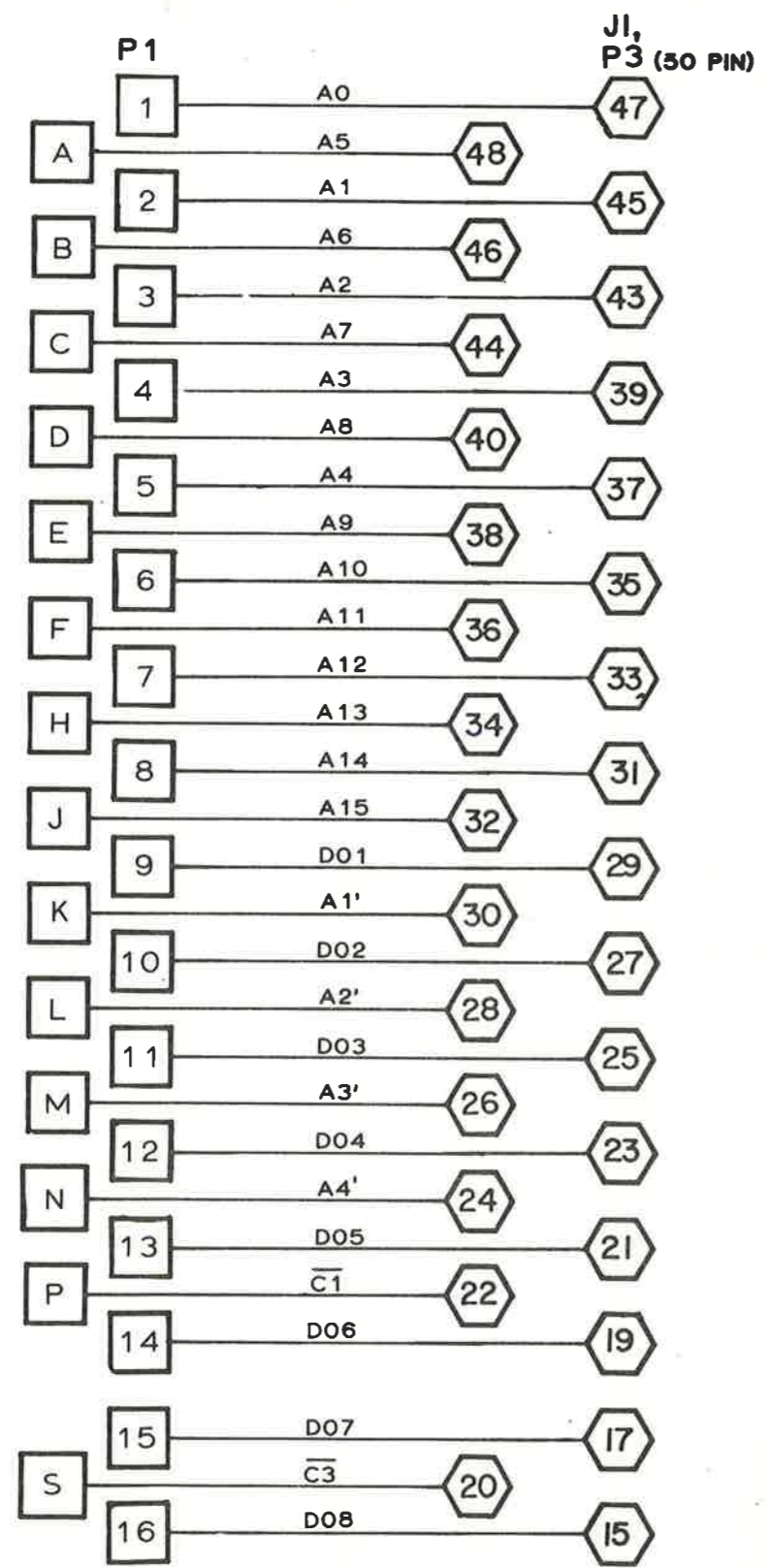
3

2

1

REVISIONS					
LTR	DESCRIPTION	DR	CHK	APPR D	DATE
A	RELEASE	R.B.	3/79	QY	11/1/81
B	ECN #4685	CL			11/1/81
C	ECN #4785	SH	7/10	CS	3/83

D
C
B
A



NOTES:

- 1. LAST REFERENCE DESIGNATOR USED: P3, J1, TP1

APPROVALS:		UNLESS OTHERWISE SPECIFIED DIMENSIONS ARE IN INCHES.		DATA I/O		
DSN ENGR. <i>[Signature]</i>	DATE 6-9-81	TOLERANCES, UNLESS OTHERWISE SPECIFIED XX ± XXX ± ANGULAR		TITLE SCHEMATIC DIAGRAM, EXTENDER BOARD 50/72		
MFG ENGR. <i>[Signature]</i>	DATE 7/2/81			SIZE C	CODE INVENT NO 54193	DRAWING NO 30-701-1944
QUAL ASSUR <i>[Signature]</i>	DATE Jul-12-81	DRAWN BY R. BENN	DATE 12-17-81	SHEET 1 OF 1		
ENGR MGR <i>[Signature]</i>	DATE 7/2/81	CHECKED BY T. BENNISON	DATE			