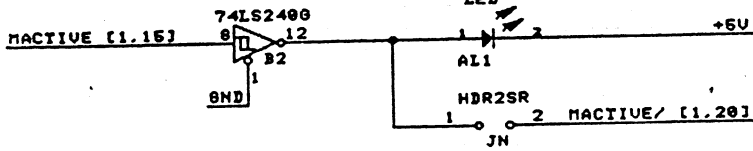
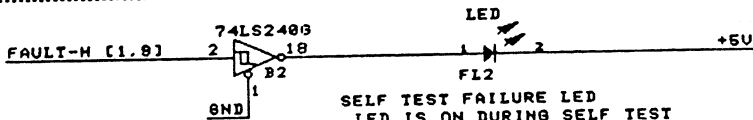


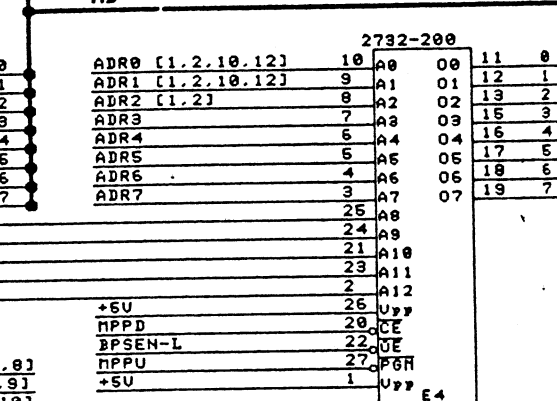
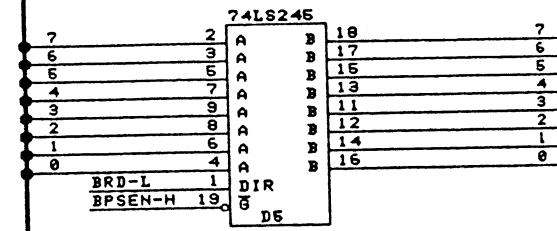
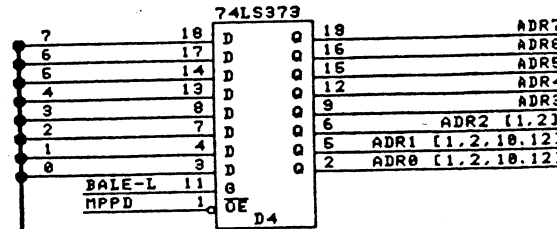
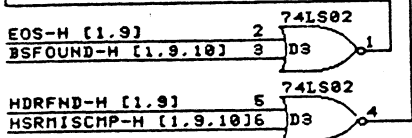
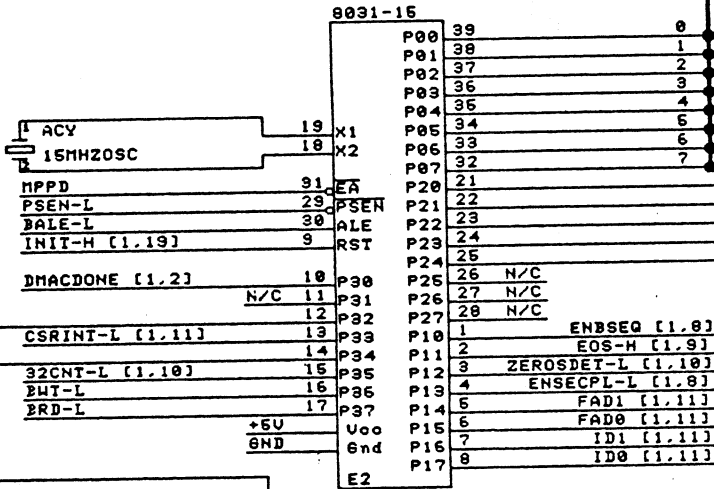
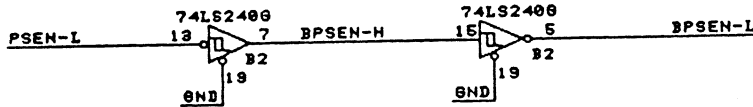
UNIT ACTIVE LED
LED IS ON WHEN CONTROLLER IS BUSY
LED IS OFF WHEN CONTROLLER IS IDLE



UNIT ACTIVE JUMPER
INSTALL FOR UNIT ACTIVE STATUS
ON CONNECTOR PIN P2-42

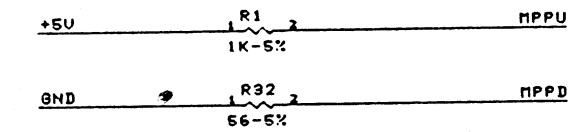
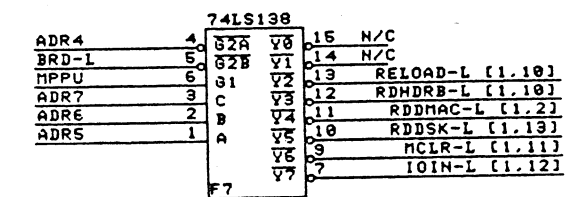
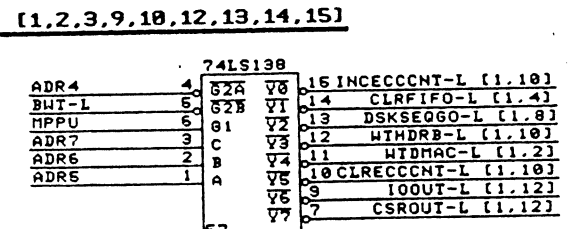
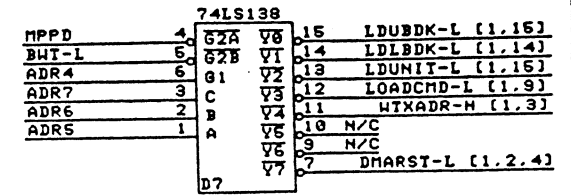


SELF TEST FAILURE LED
LED IS ON DURING SELF TEST
LED IS TURNED OFF IF SELF TEST PASSES



EPROM CAN BE EITHER 2764-200ns OR 2732A-200ns

REVISIONS				
ZONE	REV	DESCRIPTION	DATE	APPD
	8	1287		
	81	1295	04APR	PLS



XYLOGICS CONFIDENTIAL
Do Not Duplicate

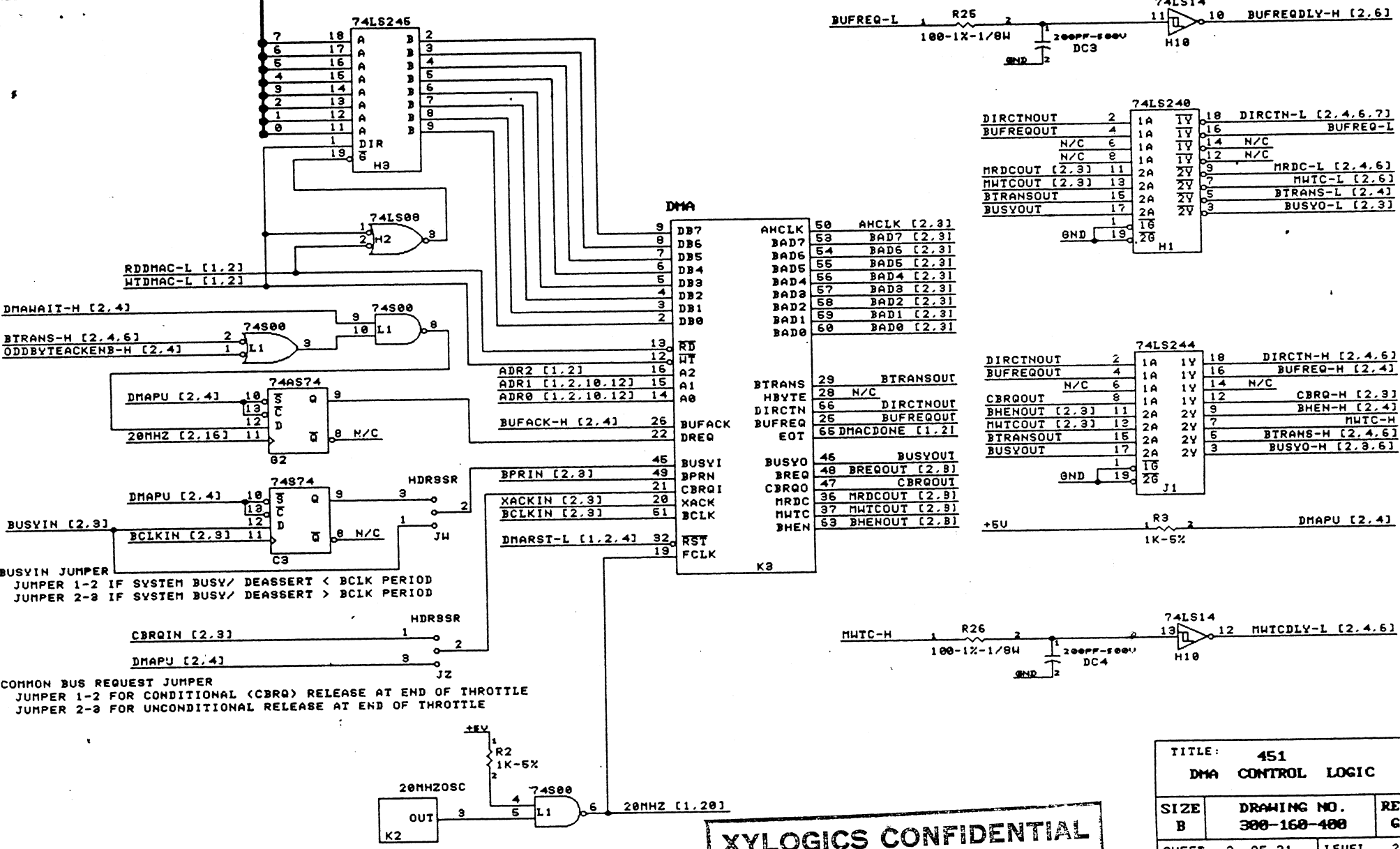
THE INFORMATION CONTAINED HEREON IS THE PROPERTY OF XYLOGICS, INC. IT IS LOANED TO YOU FOR YOUR INFORMATION ONLY. IT IS NOT TO BE REPRODUCED, COPIED, TRANSMITTED, RECEIVED OR POSSESSED IN ANY MANNER WITHOUT THE WRITTEN AUTHORIZATION OF XYLOGICS, INC.

DRAWN 08 MAY 86	XYLOGICS, INC.		
CHECKED 08 MAY 86			
ENGR APPD BLS	TITLE 451 MICROPROCESSOR & EPROM		
PROJ MNR GP	SIZE B	DRAWING NO. 300-160-400	REV G1
	SHEET 1 OF 21	LEVEL 2	

The appearance of this message
in black indicates an
unauthorized copy.

COPY NO. L714

IDB [1,2,3,9,10,12,13,14,15]



DMAWAIT-H [2.4]

BTRANS-H [2.4.6]
ODDBYTEACKENB-H [2.4]

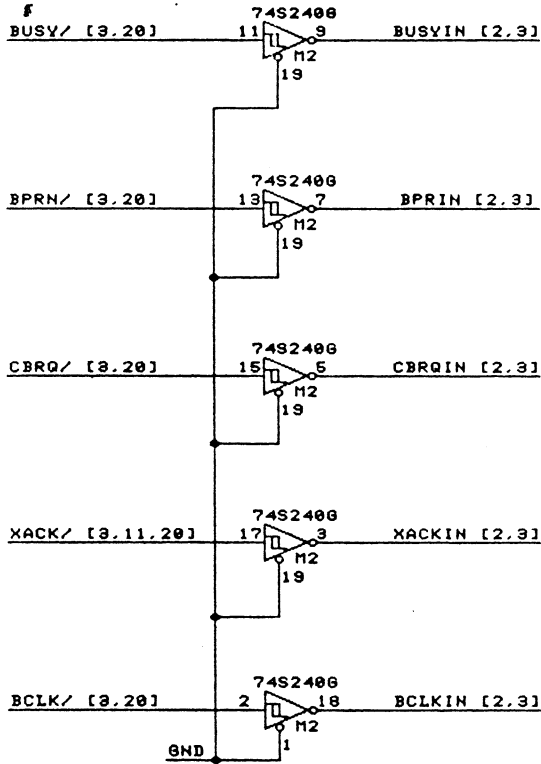
BUSVIN JUMPER
JUMPER 1-2 IF SYSTEM BUSY/ DEASSERT < BCLK PERIOD
JUMPER 2-3 IF SYSTEM BUSY/ DEASSERT > BCLK PERIOD

COMMON BUS REQUEST JUMPER
JUMPER 1-2 FOR CONDITIONAL (CBRQ) RELEASE AT END OF THROTTLE
JUMPER 2-3 FOR UNCONDITIONAL RELEASE AT END OF THROTTLE

XYLOGICS CONFIDENTIAL
Do Not Duplicate
The appearance of this message
in black indicates an
unauthorized copy.
COPY NO. L 714

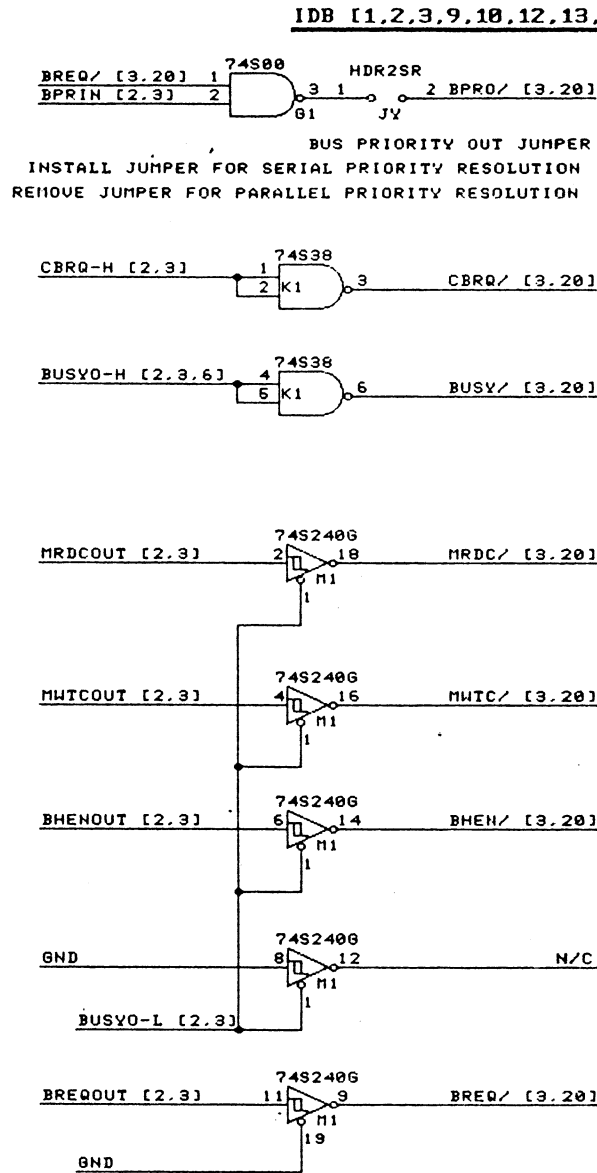
TITLE: 451 DMA CONTROL LOGIC		
SIZE B	DRAWING NO. 300-160-400	REV G1
SHEET 2 OF 21	LEVEL 2	

MULTIBUS CONTROL SIGNAL RECEIVERS



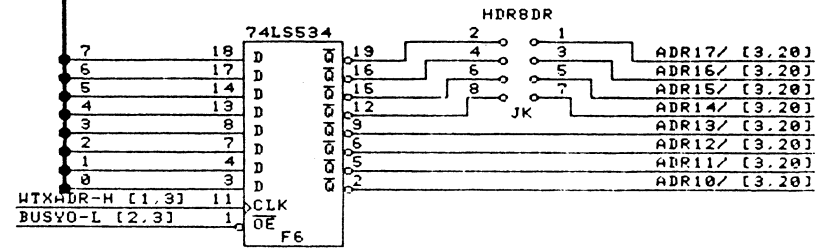
4

MULTIBUS CONTROL SIGNAL DRIVERS

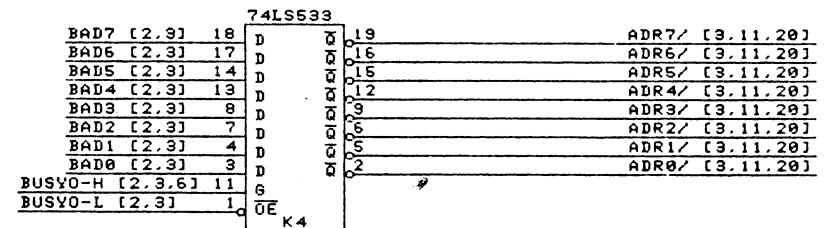
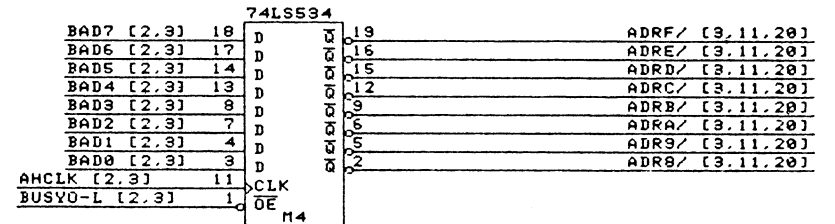


3

MULTIBUS ADDRESS BUS DRIVERS



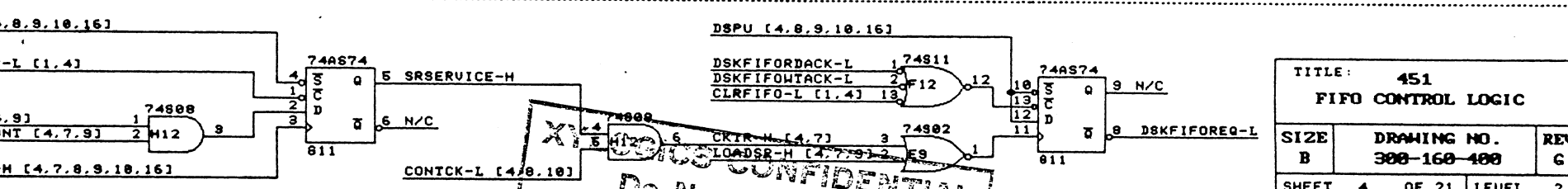
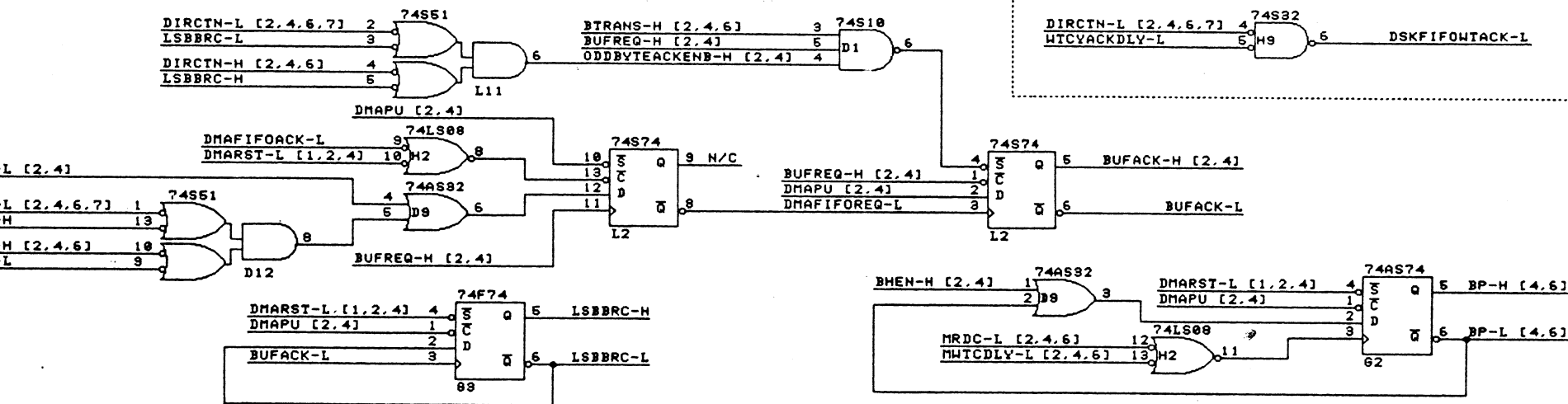
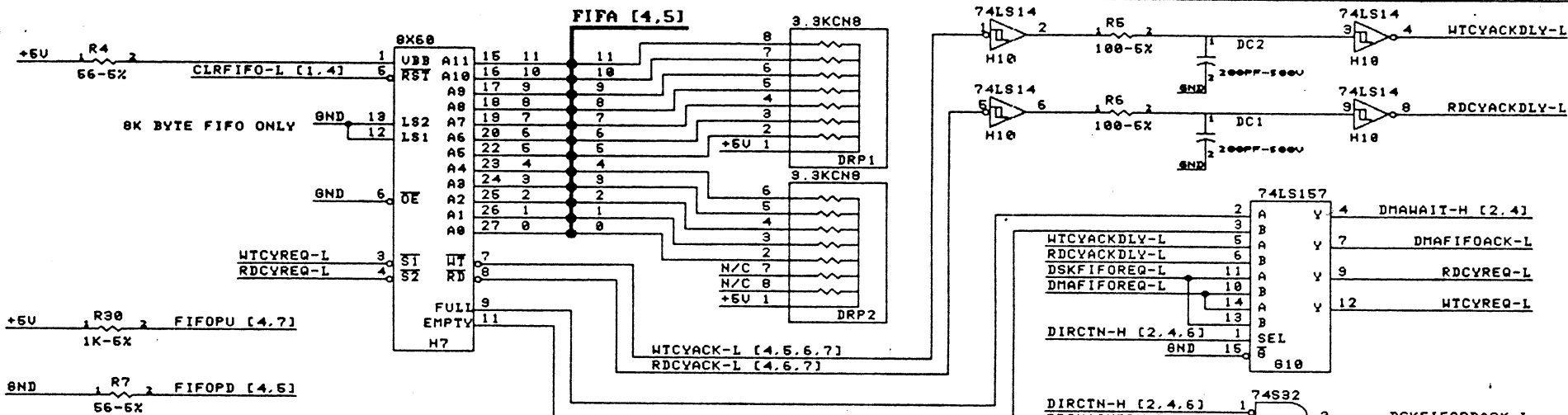
EXTENDED ADDRESS JUMPERS
INSTALL JUMPERS FOR 24 BIT ADDRESSING
REMOVE JUMPERS FOR 20&16 BIT ADDRESSING



TITLE: 451		
DMA MULTIBUS INTERFACE		
SIZE	DRAWING NO.	REV
B	300-160-400	G
SHEET	3 OF 21	LEVEL 2

1

XYLOGICS CONFIDENTIAL
Do Not Duplicate
The appearance of this message
in black indicates an
unauthorized copy.
COPY NO. *L714*



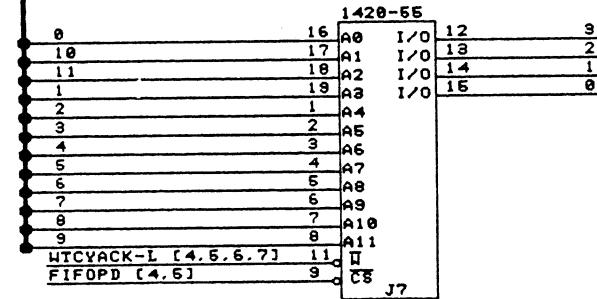
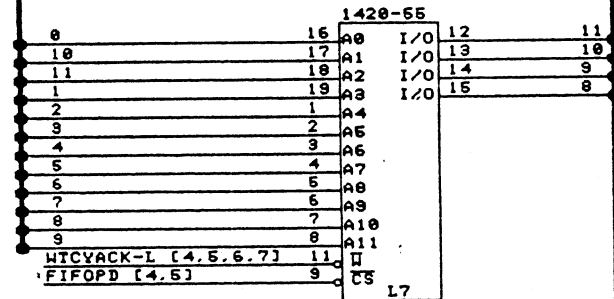
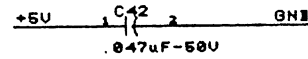
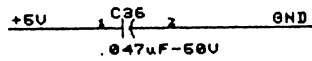
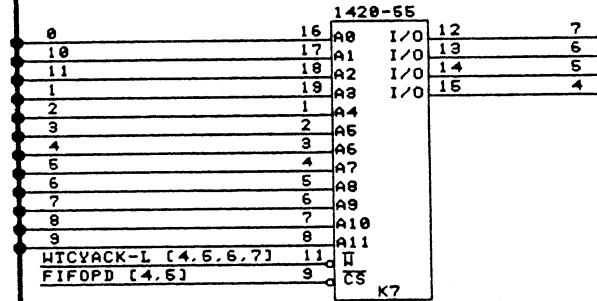
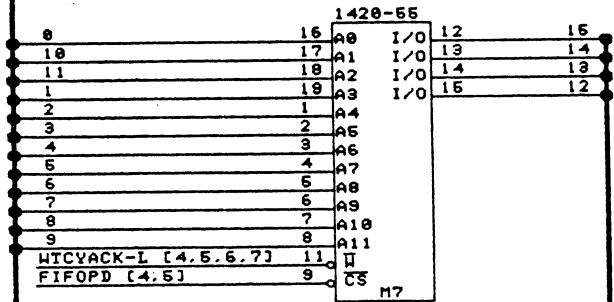
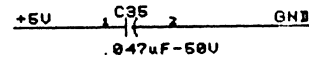
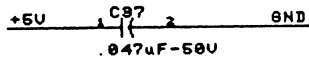
TITLE: 451 FIFO CONTROL LOGIC		
SIZE B	DRAWING NO. 300-160-100	REV G
SHEET 4	OF 21	LEVEL 2

CONFIDENTIAL
Do Not Duplicate

The appearance of this message
in black indicates an
unauthorized copy.

COPY NO. 2714

FIFA [4.5]



FIFD [5.6.7]

XYLOGICS CONFIDENTIAL
Do Not Duplicate

The appearance of this message 2
in black indicates an
unauthorized copy.

COPY NO. 2714

TITLE: 451 FIFO RAMS		
SIZE B	DRAWING NO. 300-160-400	REV G
SHEET 5 OF 21	LEVEL 2	

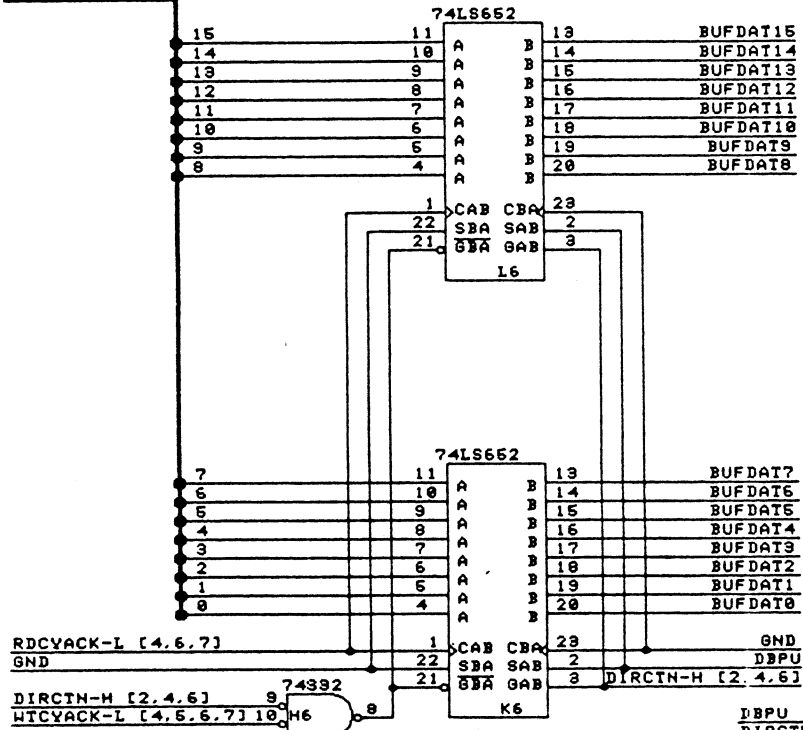
1

MULTIBUS DATA TRANSCEIVERS

+5V R8
1K-6X DBPU

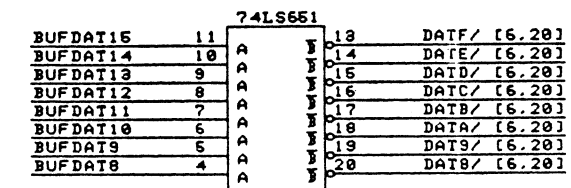
FIFO PIPELINE TRANSCEIVERS

FIFD [5,6,7]



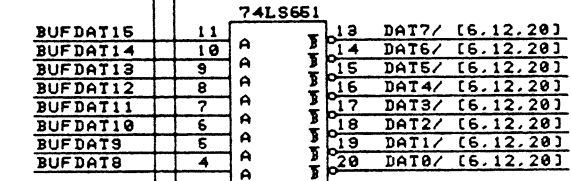
DIRCTN-H [2,4,6] 1
BIRANS-H [2,4,6] 2

74982 H6 3



DIRCTN-H [2,4,6] 1
BUSY0-H [2,3,6] 2

74808 J6 3

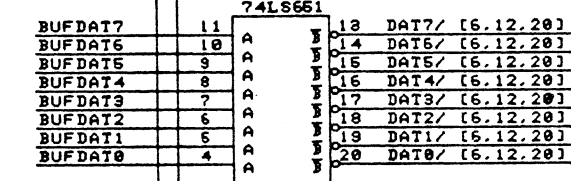


DIRCTN-L [2,4,6,7] 1
BIRANS-H [2,4,6] 2

74808 G13 3

BP-L [4,6] 4

74808 J6 6

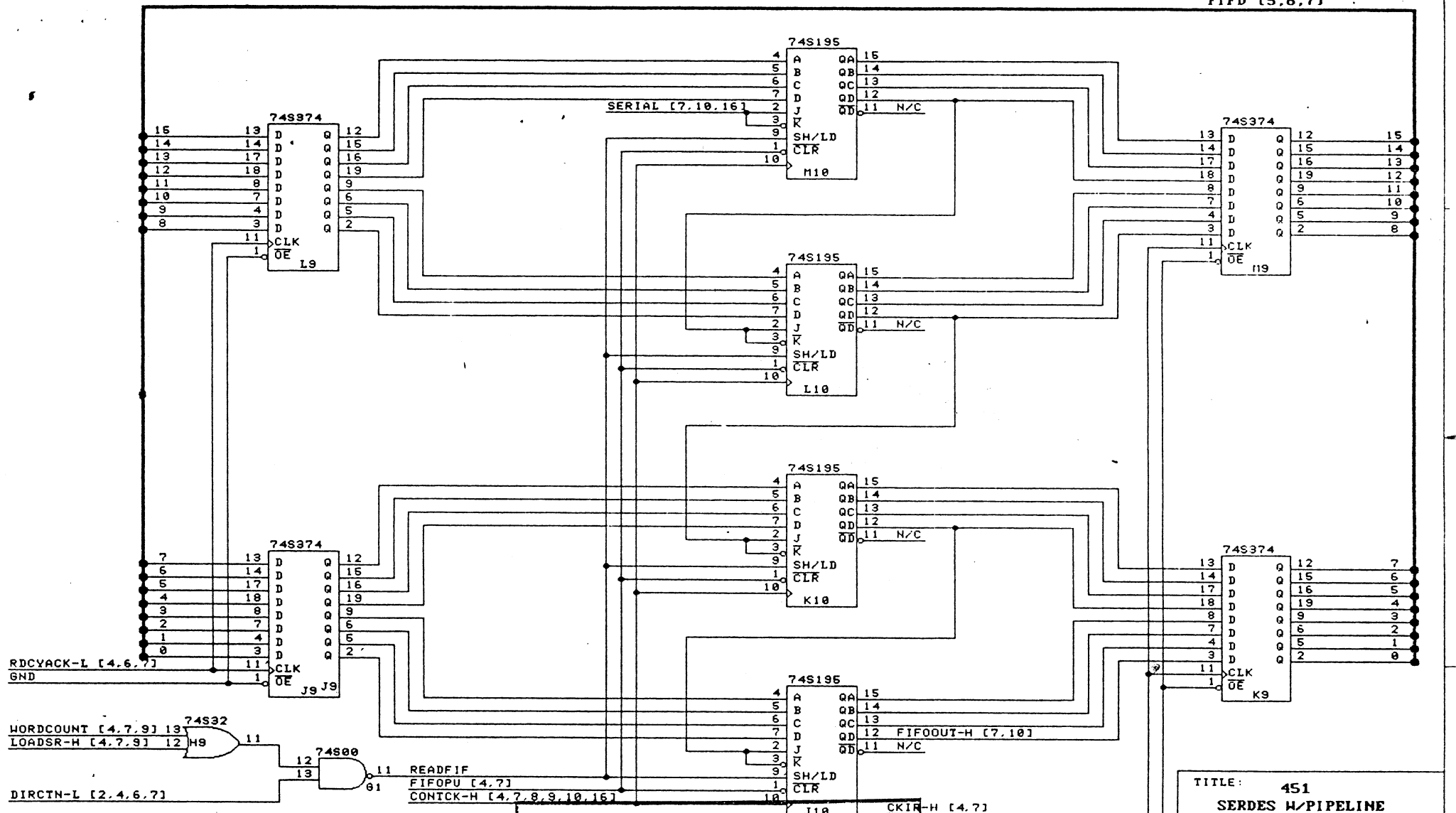


BUFREQDLY-H [2,6]

74802 2
74808 6

XYLOGICS CONFIDENTIAL
Do not Duplicate
The appearance of this message in black indicates an unauthorized copy.
COPY NO. 2714

TITLE: 451 MB/FIFO DATA BUS INTERFACE		
SIZE B	DRAWING NO. 300-160-400	REV C
SHEET 6 OF 21	LEVEL 2	



RDCYACK-L [4.6.7]
GND

WORDCOUNT [4.7.9] 13
LOADSR-H [4.7.9] 12 H9

DIRCTN-L [2.4.6.7]

READFIF
FIFOPU [4.7]
CONTCK-H [4.7.8.9.10.16]

WTCYACK-L [4.5.6.7] 9
DIRCTN-L [2.4.6.7] 10 H9

XYLOGICS CONFIDENTIAL
Do Not Duplicate
The appearance of this message
in black indicates an
unauthorized copy.
COPY NO. 2714

TITLE: 451 SERDES W/PIPELINE		
SIZE B	DRAWING NO. 300-160-400	REV G
SHEET 7 OF 21	LEVEL 2	

4

3

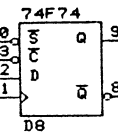
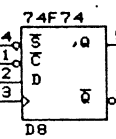
2

1

INIT-L [8.9.10.14.15.19]

ENBRCK-L

WDGATE-H [8.9.14] 1



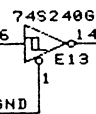
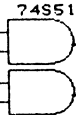
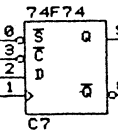
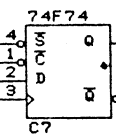
SERVOCK-H [8.16.17.18]



RDCLOCK-L [8.17.18]



DSPU [4.8.9.10.16]



CONTCK-H [4.7.8.9.10.16]

CONTCK-L [4.8.10]

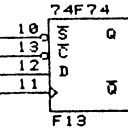
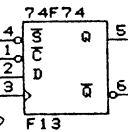
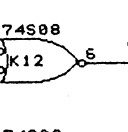
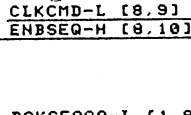
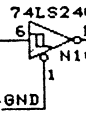
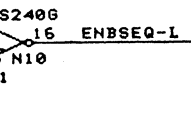
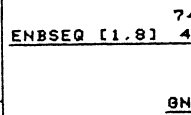
R50 REGISTERED FROM (27S25)
300-5X-1/8H SYNCHRONOUS ENABLE TRI-STATE
2 PULLDOWN
1 GND

INIT-L [8.9.10.14.15.19]
ENBSCK-L



DSPU [4.8.9.10.16]

CLKCMD-L [8.9]



ENBSEQ [1.8]

ENBSEQ-L [8.9]

CLKCMD-L [8.9]

ENBSEQ-H [8.10]

DSKSEQ00-L [1.8]

SECTPLS-L [1.8]

CONTCK-H [4.7.8.9.10.16]

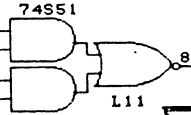
GO+PULSE [8.9]

SP-L [8.13]

ENSECPL-L [1.8]

UNITA0-H [8.15.16]

INDEX-H [8.13]



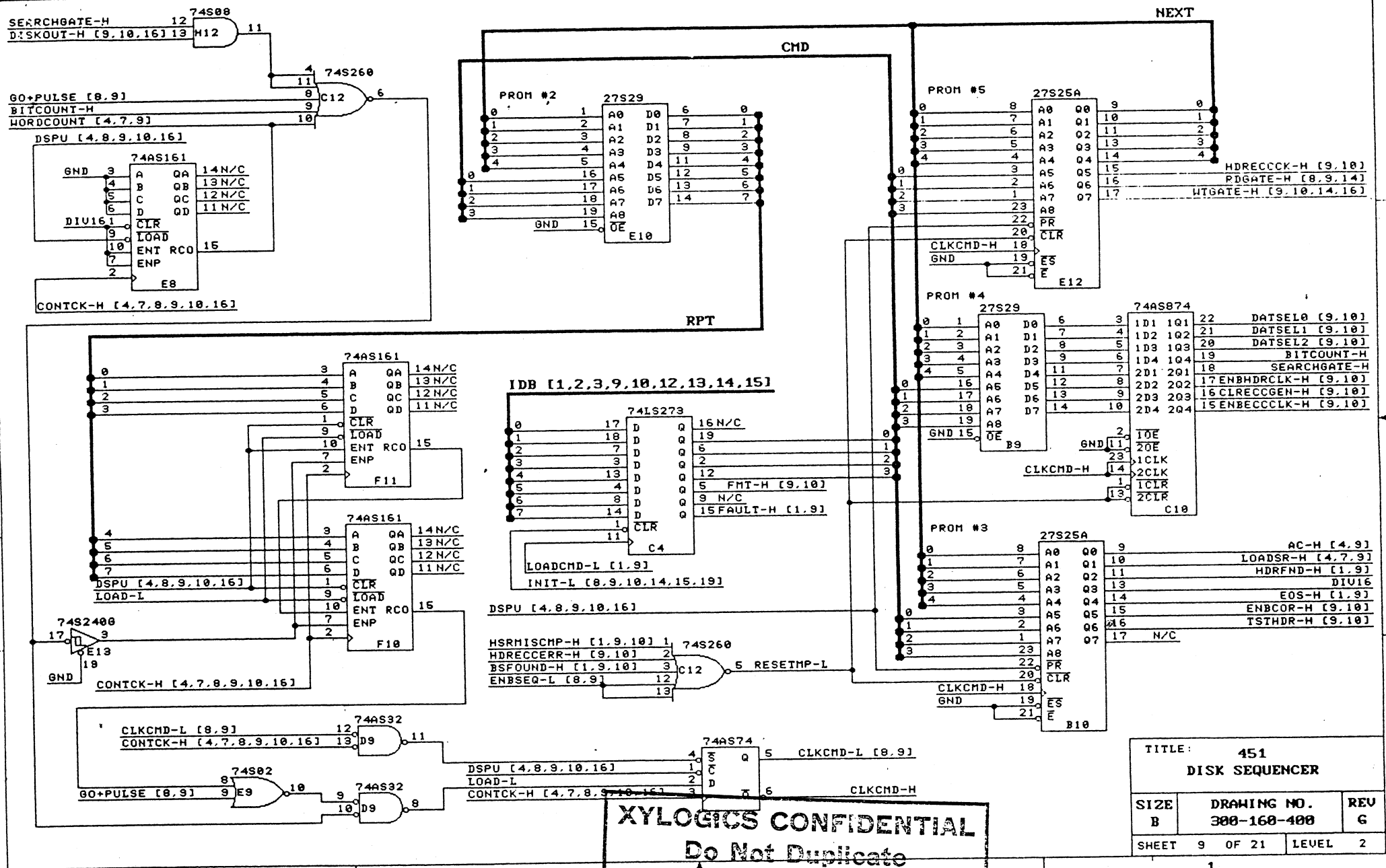
SECTPLS-L

SECTPLS-H [8.10]

TITLE: 451
CLOCK & EVENT SYNCHRONIZER

SIZE	DRAWING NO.	REV
B	300-160-400	G
SHEET	8 OF 21	LEVEL 2

XYLOGICS CONFIDENTIAL
Do Not Duplicate
 The appearance of this message
 in black indicates an
 unauthorized copy.
 COPY NO. L714



XYLOGICS CONFIDENTIAL
Do Not Duplicate
 The appearance of this message
 in black indicates an
 unauthorized copy.
 CCPY NO. 2914

TITLE: 451 DISK SEQUENCER		
SIZE B	DRAWING NO. 300-160-400	REV G
SHEET 9 OF 21	LEVEL 2	

IDB [1,2,3,9,10,12,13,14,15]

MTGATE-H [9,10,14,16] 6
 FMT-H [9,10] 4
 SECTPLS-H [8,10] 2

ENBSEQ-H [8,10] 12
 RELOAD-L [1,10] 13

+5V 2 1K-5% 1
 R9

+5V 2 1K-5% 1
 R10

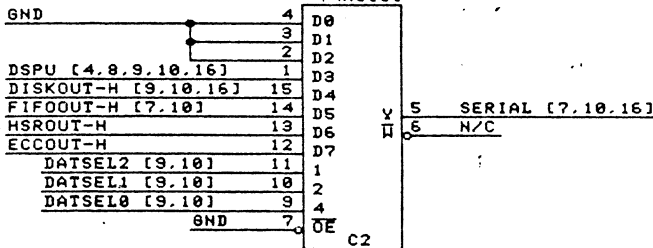
CONTCK-H [4,7,8,9,10,16]

DSPU [4,8,9,10,16] 10
 INIT-L [8,9,10,14,15,19] 13
 ENBHDRCLK-H [9,10] 12
 CONTCK-L [4,8,10] 11

CONTCK-H [4,7,8,9,10,16]

DSPU [4,8,9,10,16] 10
 INIT-L [8,9,10,14,15,19] 13
 ENBECCCLK-H [9,10] 12
 CONTCK-L [4,8,10] 11

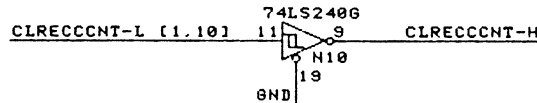
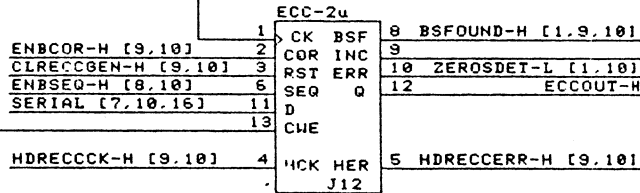
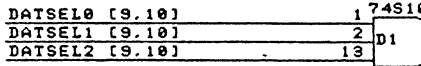
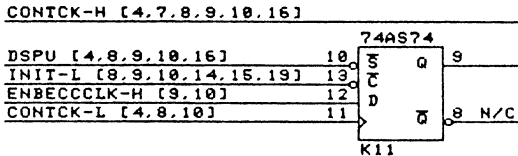
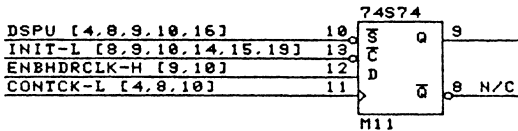
DATSEL0 [9,10] 1
 DATSEL1 [9,10] 2
 DATSEL2 [9,10] 13



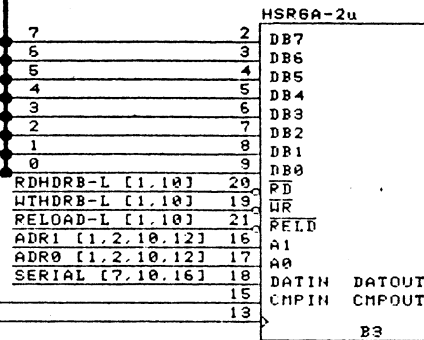
+5V 1 1K-5% 2
 R11
 DSPU [4,8,9,10,16]

+5V 2 1K-5% 1
 R9

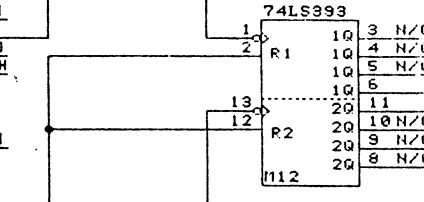
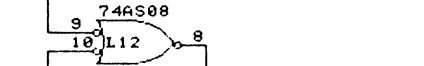
DISKOUT-H [9,10,16]



INCECCNT-L [1,10]



DB7 2
 DB6 3
 DB5 4
 DB4 5
 DB3 6
 DB2 7
 DB1 8
 DB0 9
 RD 20
 WR 19
 FEED 21
 A1 16
 A0 17
 HSR0UT-H 12
 HDRERRFND-H 10



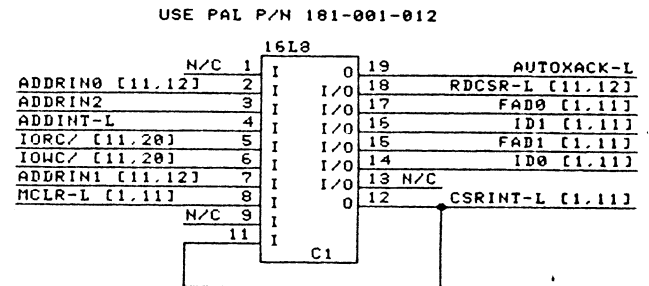
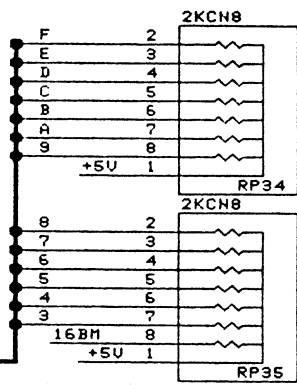
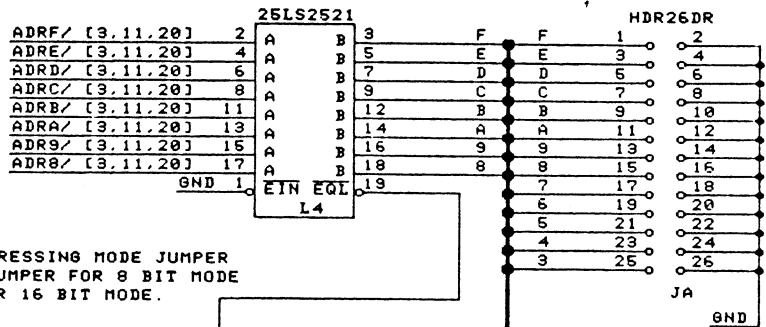
TITLE: 451 HSR & ECC LOGIC		
SIZE B	DRAWING NO. 300-160-400	REV G
SHEET 10 OF 21	LEVEL 2	

XYLOGICS CONFIDENTIAL
 Do Not Duplicate
 The appearance of this message in black indicates an unauthorized copy.
 COPY NO. *2714*

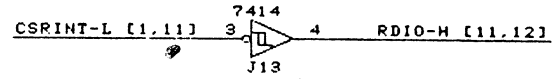
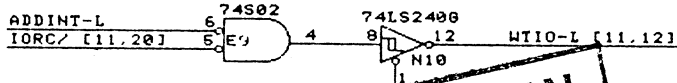
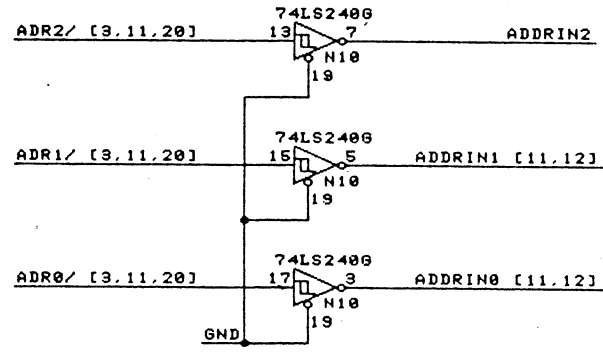
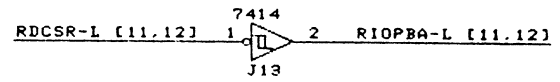
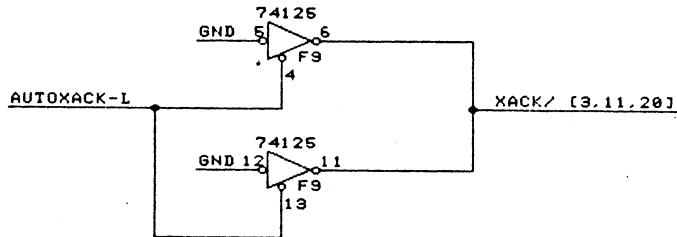
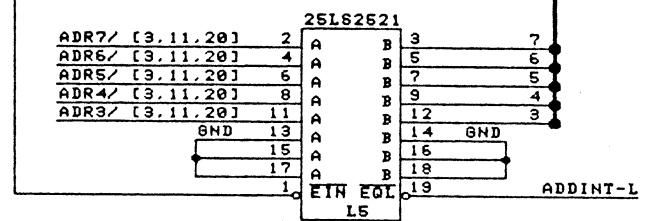
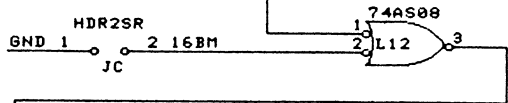
BASE ADDRESS JUMPERS

MULTIBUS ADDRESS BUS RECEIVERS/BUFFERS

INSTALL JUMPER FOR RESPECTIVE ADDRESS BIT ON.
REMOVE JUMPER FOR BIT OFF.

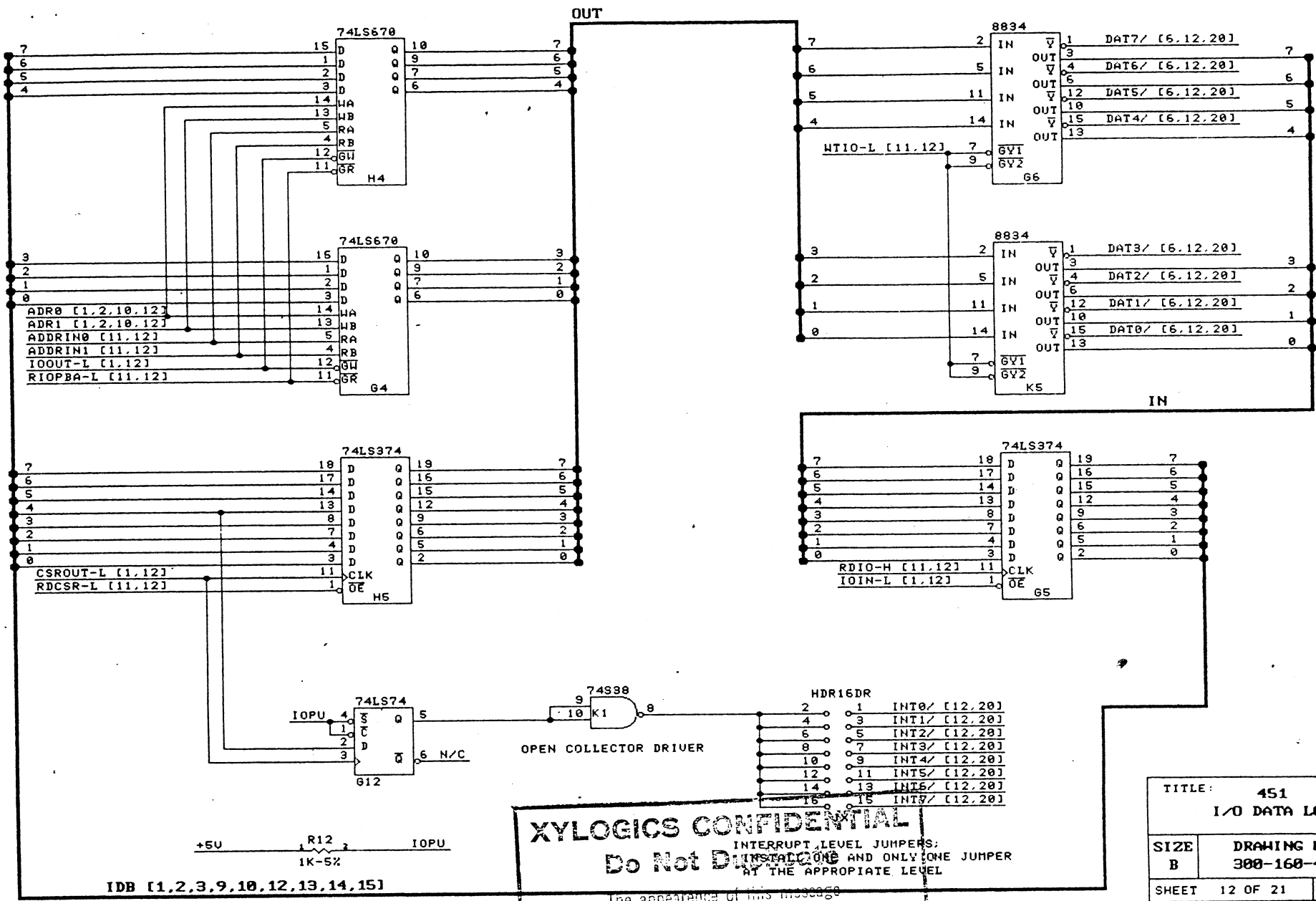


8/16 BIT ADDRESSING MODE JUMPER
INSTALL JUMPER FOR 8 BIT MODE
REMOVE FOR 16 BIT MODE.



XYLOGICS CONFIDENTIAL
Do Not Duplicate
The appearance of this message
in black indicates an
unauthorized copy.
COPY NO. 2714

TITLE: 451 I/O CONTROL LOGIC		
SIZE B	DRAWING NO. 300-160-400	REV G
SHEET 11 OF 21	LEVEL 2	



XYLOGICS CONFIDENTIAL
Do Not Duplicate

INTERRUPT LEVEL JUMPERS:
 INSTALL ONE AND ONLY ONE JUMPER
 AT THE APPROPRIATE LEVEL

The appearance of this message
 in black indicates an
 unauthorized copy.

COPY NO. 2714

TITLE: 451 I/O DATA LOGIC		
SIZE B	DRAWING NO. 388-168-488	REV G
SHEET 12 OF 21	LEVEL 2	

IDB [1,2,3,9,10,12,13,14,15]

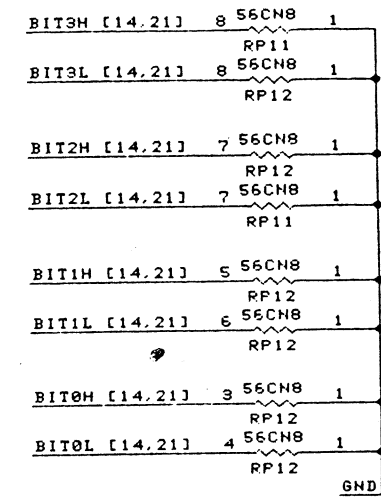
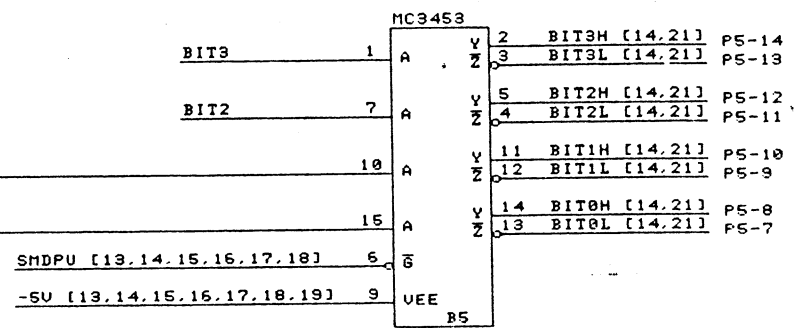
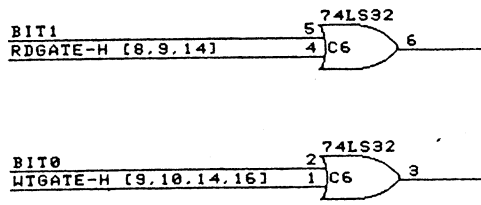
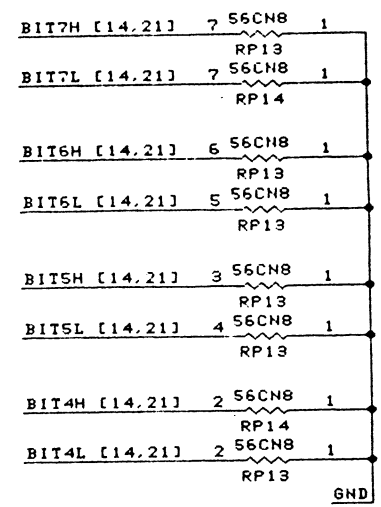
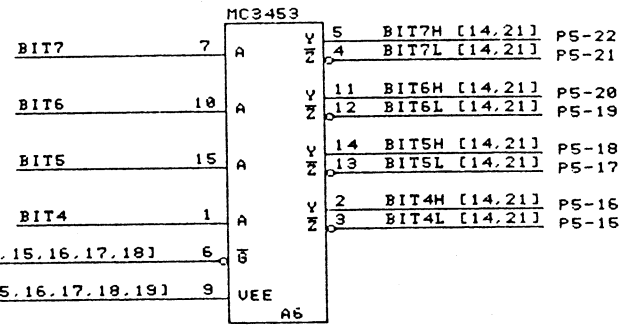
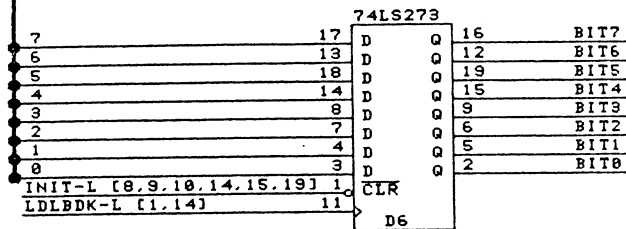
4

3

2

1

5IDB [1,2,3,9,10,12,13,14,15]



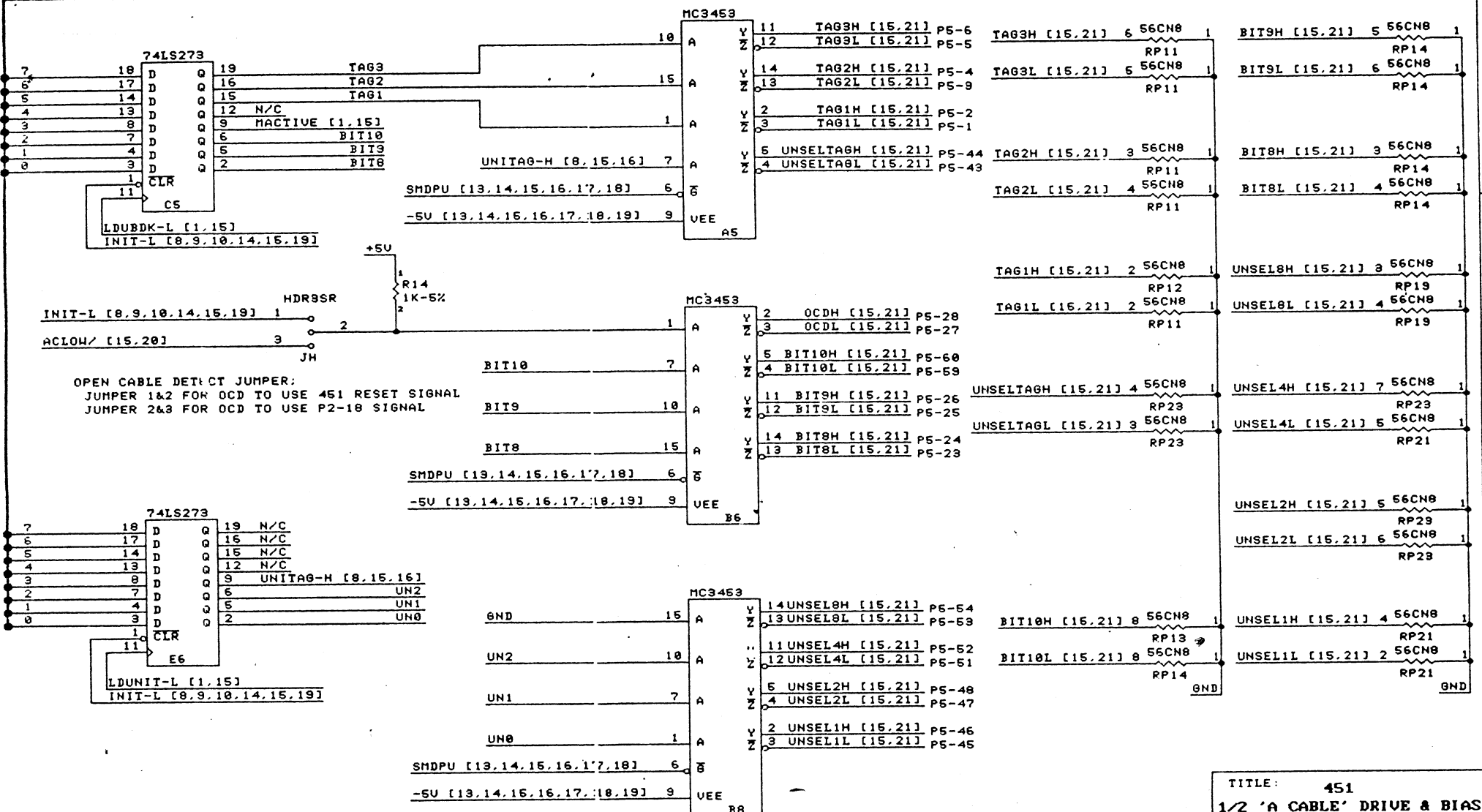
XYLOCIOS CONFIDENTIAL
Do Not Duplicate

3 The appearance of this message in black indicates an unauthorized copy. 2

COPY NO. 2714

TITLE: 451		
1/2 'A CABLE' DRIVE & BIAS		
SIZE	DRAWING NO.	REV
B	300-160-400	G
SHEET	14 OF 21	LEVEL 2

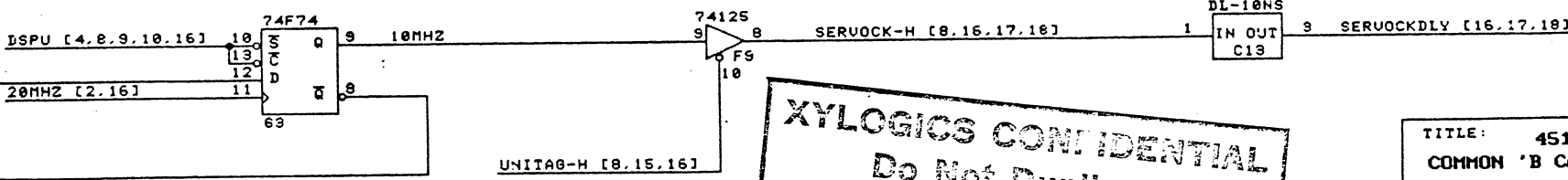
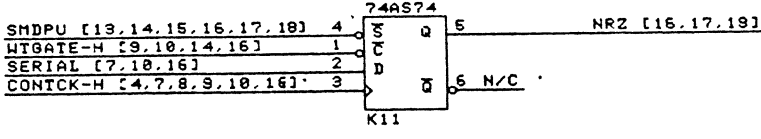
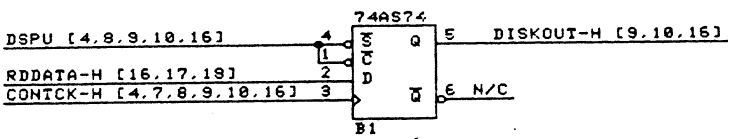
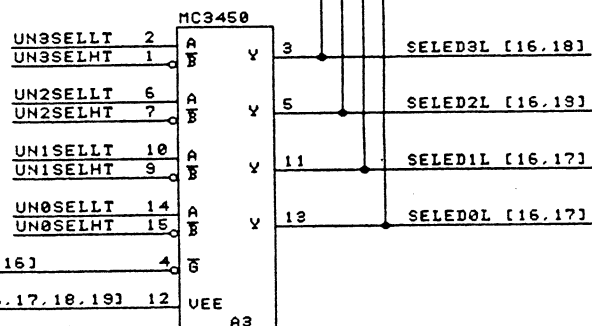
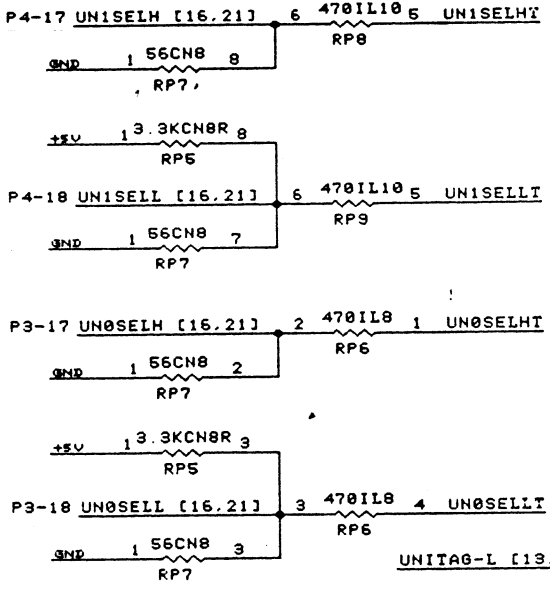
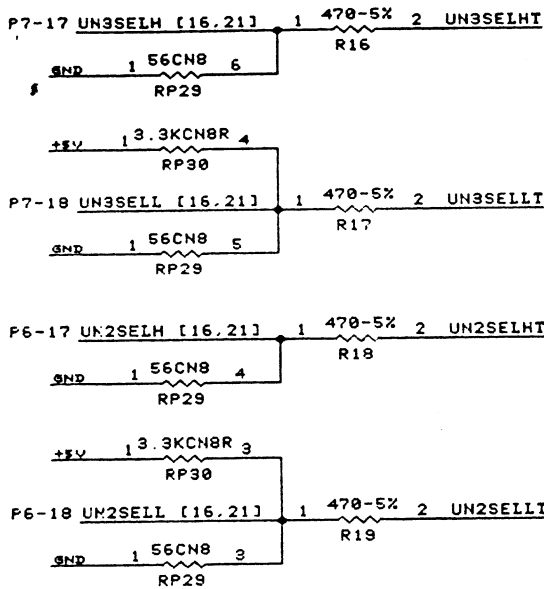
ID# [1,2,3,9,10,12,13,14,15]



OPEN CABLE DETECT JUMPER:
 JUMPER 1&2 FOR OCD TO USE 451 RESET SIGNAL
 JUMPER 2&3 FOR OCD TO USE P2-18 SIGNAL

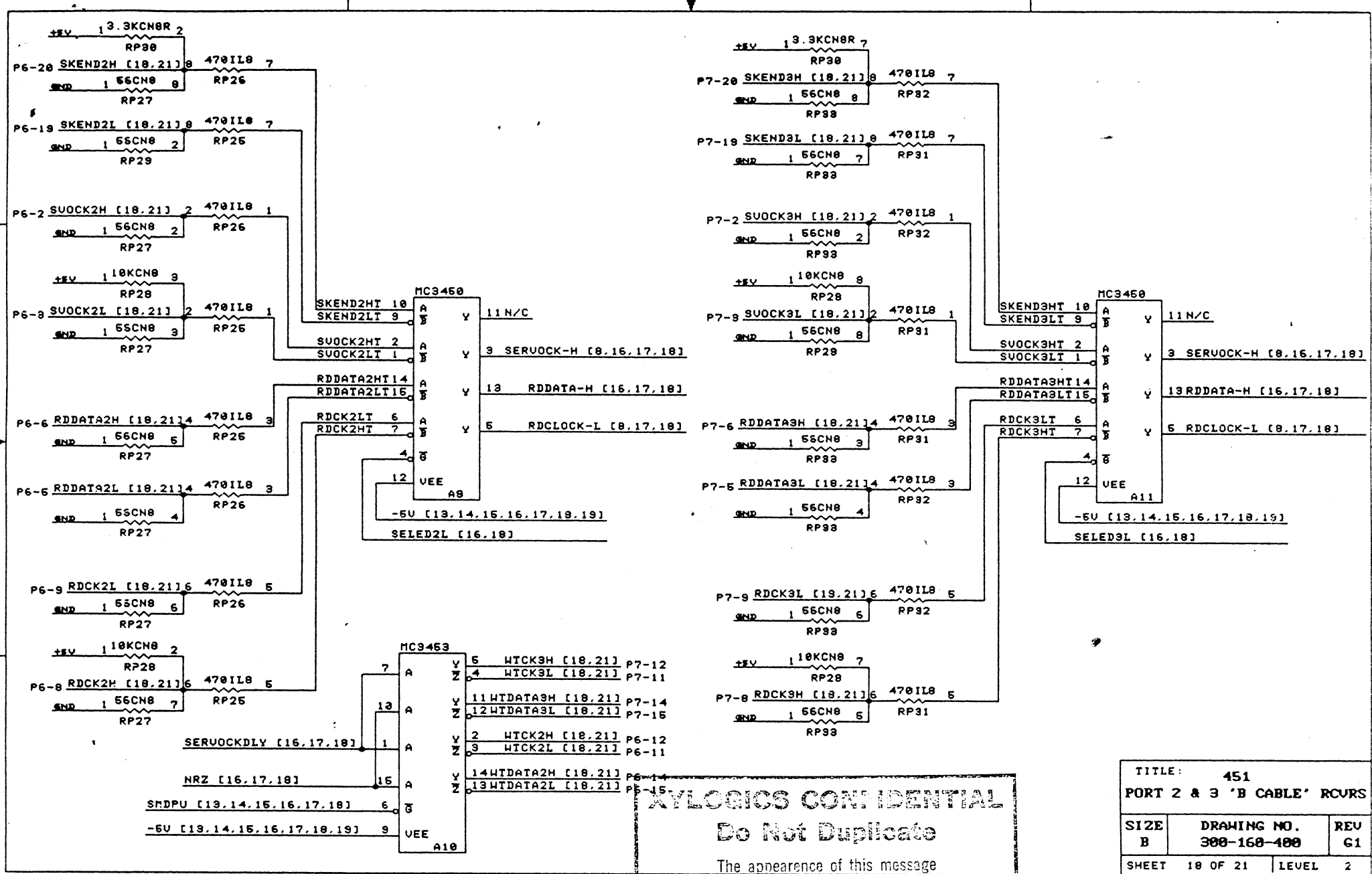
TITLE: 451		
1/2 'A CABLE' DRIVE & BIAS		
SIZE	DRAWING NO.	REV
B	300-160-400	G
SHEET	15 OF 21	LEVEL 2

XYLOGICS CONFIDENTIAL
 Do Not Duplicate
 The appearance of this message
 in black indicates an
 unauthorized copy.
 COPY NO. 2714



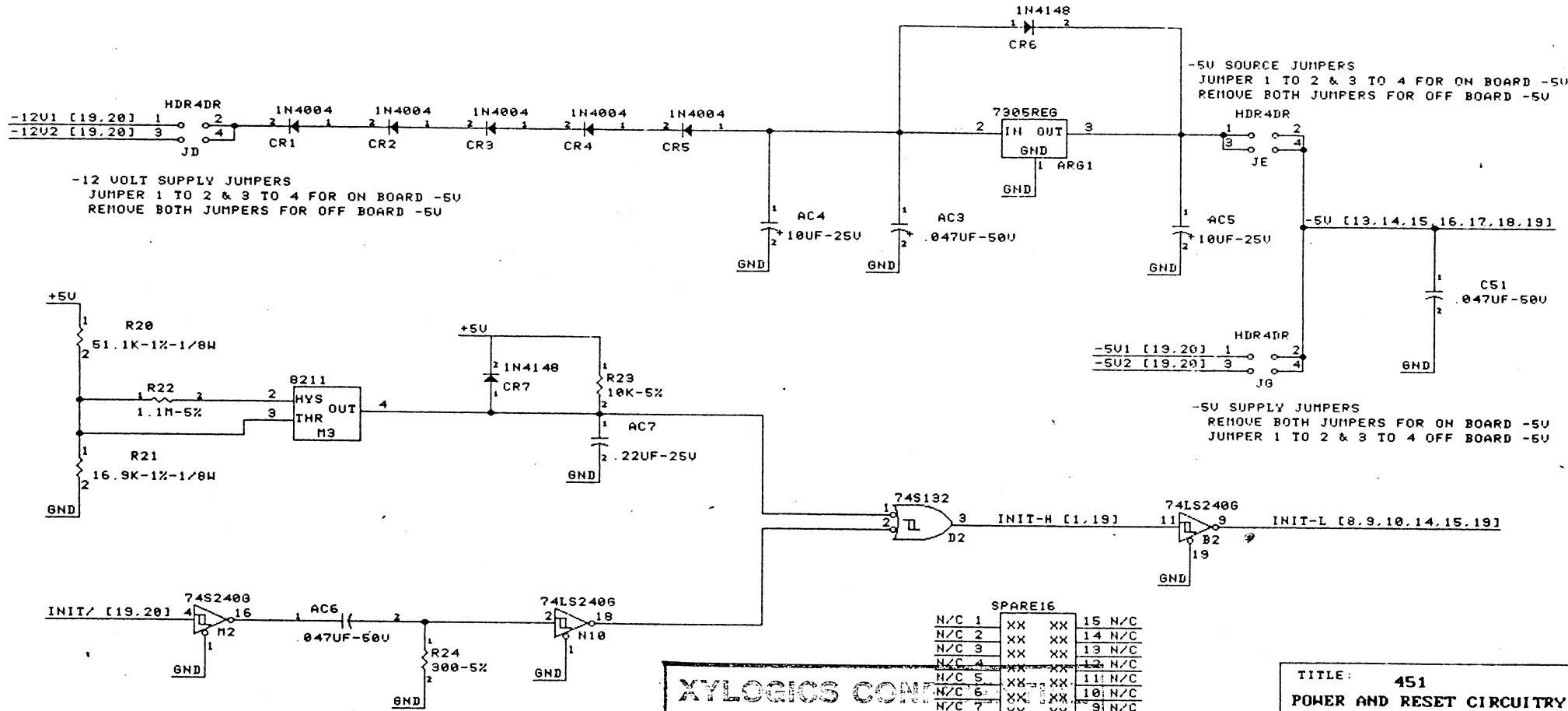
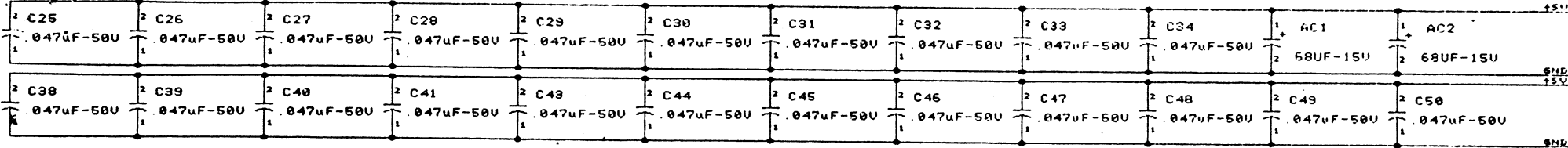
XYLOGICS CONFIDENTIAL
Do Not Duplicate
 The appearance of this message
 in black indicates an
 unauthorized copy.
 COPY NO. L714

TITLE: 451 COMMON 'B CABLE' LOGIC		
SIZE B	DRAWING NO. 300-160-400	REV G1
SHEET 16 OF 21	LEVEL 2	



XYLOGICS CONFIDENTIAL
Do Not Duplicate
 The appearance of this message
 in black indicates an
 unauthorized copy.
 COPY NO. L714

TITLE: 451		
PORT 2 & 3 'B CABLE' RCURS		
SIZE B	DRAWING NO. 300-160-400	REV G1
SHEET 18 OF 21	LEVEL 2	



-12 VOLT SUPPLY JUMPERS
 JUMPER 1 TO 2 & 3 TO 4 FOR ON BOARD -5V
 REMOVE BOTH JUMPERS FOR OFF BOARD -5V

-5V SOURCE JUMPERS
 JUMPER 1 TO 2 & 3 TO 4 FOR ON BOARD -5V
 REMOVE BOTH JUMPERS FOR OFF BOARD -5V

-5V SUPPLY JUMPERS
 REMOVE BOTH JUMPERS FOR ON BOARD -5V
 JUMPER 1 TO 2 & 3 TO 4 OFF BOARD -5V

SPARE16		
N/C 1	XX	XX
N/C 2	XX	XX
N/C 3	XX	XX
N/C 4	XX	XX
N/C 5	XX	XX
N/C 6	XX	XX
N/C 7	XX	XX
15	N/C	
14	N/C	
13	N/C	
12	N/C	
11	N/C	
10	N/C	
9	N/C	

XYLOGICS CONFIDENTIAL
Do Not Duplicate
 The appearance of this message
 in black indicates an
 unauthorized copy.

COPY NO. 2714

TITLE: 451		
POWER AND RESET CIRCUITRY		
SIZE	DRAWING NO.	REV
B	300-160-400	G
SHEET	19 OF 21	LEVEL 2

4

3

1

ECON86/156

GND	1	GND	GND	2	GND
+5V	3	+5V	+5V	4	+5V
+5V	5	+5V	+5V	6	+5V
	N/C	7	+12V	8	N/C
-5V1 [19.20]	9	+12V	+12V	10	-5V2 [19.20]
GND	11	GND	GND	12	GND
BCLK/ [3.20]	13	BCLK*	INIT*	14	INIT/ [19.20]
BPRN/ [3.20]	15	BPRN*	BPRO*	16	BPRO/ [3.20]
BUSV/ [3.20]	17	BUSV*	BREQ*	18	BREQ/ [3.20]
MRDC/ [3.20]	19	MRDC*	MWTC*	20	MWTC/ [3.20]
IORC/ [11.20]	21	IORC*	IOHC*	22	IOHC/ [11.20]
XACK/ [3.11.20]	23	XACK*	INH1*	24	N/C
	N/C	25	LOCK*	26	N/C
BHEN/ [3.20]	27	BHEN*	AD10*	28	ADR10/ [3.20]
CBRQ/ [3.20]	29	CBRQ*	AD11*	30	ADR11/ [3.20]
	N/C	31	CCLK*	32	ADR12/ [3.20]
	N/C	33	INTA*	34	ADR13/ [3.20]
INT6/ [12.20]	35	INT6*	INT7*	36	INT7/ [12.20]
INT4/ [12.20]	37	INT4*	INT5*	38	INT5/ [12.20]
INT2/ [12.20]	39	INT2*	INT3*	40	INT3/ [12.20]
INT0/ [12.20]	41	INT0*	INT1*	42	INT1/ [12.20]
ADRE/ [3.11.20]	43	ADRE*	ADRF*	44	ADRF/ [3.11.20]
ADRC/ [3.11.20]	45	ADRC*	ADRD*	46	ADRD/ [3.11.20]
ADRA/ [3.11.20]	47	ADRA*	ADRB*	48	ADRB/ [3.11.20]
ADR0/ [3.11.20]	49	ADR0*	ADR9*	50	ADR9/ [3.11.20]
ADR6/ [3.11.20]	51	ADR6*	ADR7*	52	ADR7/ [3.11.20]
ADR4/ [3.11.20]	53	ADR4*	ADR5*	54	ADR5/ [3.11.20]
ADR2/ [3.11.20]	55	ADR2*	ADR3*	56	ADR3/ [3.11.20]
ADR0/ [3.11.20]	57	ADR0*	ADR1*	58	ADR1/ [3.11.20]
DATE/ [6.20]	59	DATE*	DATF*	60	DATF/ [6.20]
DATC/ [6.20]	61	DATC*	DATD*	62	DATD/ [6.20]
DAT8/ [6.20]	63	DAT8*	DATB*	64	DATB/ [6.20]
DAT8/ [6.20]	65	DAT8*	DAT9*	66	DAT9/ [6.20]
DAT6/ [6.12.20]	67	DAT6*	DAT7*	68	DAT7/ [6.12.20]
DAT4/ [6.12.20]	69	DAT4*	DAT5*	70	DAT5/ [6.12.20]
DAT2/ [6.12.20]	71	DAT2*	DAT3*	72	DAT3/ [6.12.20]
DAT0/ [6.12.20]	73	DAT0*	DAT1*	74	DAT1/ [6.12.20]
GND	75	GND	GND	76	GND
	N/C	77	GND	78	N/C
-12V1 [19.20]	79	-12V	-12V	80	-12V2 [19.20]
+5V	81	+5V	+5V	82	+5V
+5V	83	+5V	+5V	84	+5V
GND	85	GND	GND	86	GND

P1

COMPONENT SIDE

SOLDER SIDE

ECON60/100

N/C	1	2	N/C
N/C	3	4	N/C
N/C	5	6	N/C
N/C	7	8	N/C
N/C	9	10	N/C
N/C	11	12	N/C
N/C	13	14	N/C
N/C	15	16	N/C
N/C	17	18	ACLOW/ [15.20]
N/C	19	20	N/C
N/C	21	22	N/C
N/C	23	24	N/C
N/C	25	26	N/C
N/C	27	28	N/C
N/C	29	30	N/C
N/C	31	32	N/C
N/C	33	34	N/C
N/C	35	36	N/C
N/C	37	38	N/C
N/C	39	40	N/C
N/C	41	42	MACTIVE/ [1.20]
N/C	43	44	N/C
N/C	45	46	N/C
N/C	47	48	N/C
N/C	49	50	N/C
N/C	51	52	N/C
N/C	53	54	N/C
ADR15/ [3.20]	55	56	ADR17/ [3.20]
ADR14/ [3.20]	57	58	ADR15/ [3.20]
N/C	59	60	N/C

ADR15* ADR17*
ADR14* ADR15*
P2

COMPONENT SIDE

SOLDER SIDE

XYLOGICS CONFIDENTIAL
Do Not Duplicate
 The appearance of this message
 in black indicates an
 ↑ unauthorized copy. 2
 COPY NO. 1714

TITLE: 451 MULTIBUS CONNECTORS		
SIZE B	DRAWING NO. 300-160-400	REV G
SHEET 20 OF 21	LEVEL 2	

CONNRA68/100			
TAG1L [15.21]	1	TAG1L	TAG1H [15.21]
TAG2L [15.21]	3	TAG2L	TAG2H [15.21]
TAG3L [15.21]	5	TAG3L	TAG3H [15.21]
BIT0L [14.21]	7	BIT0L	BIT0H [14.21]
BIT1L [14.21]	9	BIT1L	BIT1H [14.21]
BIT2L [14.21]	11	BIT2L	BIT2H [14.21]
BIT3L [14.21]	13	BIT3L	BIT3H [14.21]
BIT4L [14.21]	15	BIT4L	BIT4H [14.21]
BIT5L [14.21]	17	BIT5L	BIT5H [14.21]
BIT6L [14.21]	19	BIT6L	BIT6H [14.21]
BIT7L [14.21]	21	BIT7L	BIT7H [14.21]
BIT8L [15.21]	23	BIT8L	BIT8H [15.21]
BIT9L [15.21]	25	BIT9L	BIT9H [15.21]
OCDL [15.21]	27	OCDL	OCDH [15.21]
FLTL [13.21]	29	FLTL	FLTH [13.21]
SKERRL [13.21]	31	SKERL	SKERRH [13.21]
ONCVL [13.21]	33	ONCVL	ONCVH [13.21]
INDEXL [13.21]	35	INDXL	INDXH [13.21]
READYL [13.21]	37	RDYL	RDYH [13.21]
	N/C 39	AMFL	AMFH 40 N/C
DPBSYL [13.21]	41	DPBSYL	DPBSYH [13.21]
UNSELTA0L [15.21]	43	UNSLTL	UNSLTH [15.21]
UNSEL1L [15.21]	45	UNSL1L	UNSL1H [15.21]
UNSEL2L [15.21]	47	UNSL2L	UNSL2H [15.21]
SPL [13.21]	49	SPL	SPH [13.21]
UNSEL4L [15.21]	51	UNSL4L	UNSL4H [15.21]
UNSEL8L [15.21]	53	UNSL8L	UNSL8H [15.21]
WTPOTL [13.21]	55	WTPRTL	WTPRTH [13.21]
GND	57	PICK	HOLD GND
BIT10L [15.21]	59	SPAREL	SPAREH 60 BIT10H [15.21]

PS

CONNRA26/100

GND	1	GND	SUOCKH 2 SUOCK0H [17.21]
SUOCK0L [17.21]	3	SUOCKL	GND 4
RDDATA0L [17.21]	5	RDDATL	RDDATH 6 RDDATA0H [17.21]
GND	7	GND	RDCKH 8 RDCK0H [17.21]
RDCK0L [17.21]	9	RDCKL	GND 10
WTCK0L [17.21]	11	WTCKL	WTCKH 12 WTCK0H [17.21]
GND	13	GND	WTDATH 14 WTDATA0H [17.21]
WTDATA0L [17.21]	15	WTDATL	GND 16
UN0SELH [16.21]	17	UNSELH	UNSELL 18 UN0SELL [16.21]
SKEND0L [17.21]	19	SKENDL	SKENDH 20 SKEND0H [17.21]
GND	21	GND	22 N/C
	N/C 23	RINDXH	GND 24
	N/C 25	RSPL	RSPH 26 N/C

P3

CONNRA26/100

GND	1	GND	SUOCKH 2 SUOCK1H [17.21]
SUOCK1L [17.21]	3	SUOCKL	GND 4
RDDATA1L [17.21]	5	RDDATL	RDDATH 6 RDDATA1H [17.21]
GND	7	GND	RDCKH 8 RDCK1H [17.21]
RDCK1L [17.21]	9	RDCKL	GND 10
WTCK1L [17.21]	11	WTCKL	WTCKH 12 WTCK1H [17.21]
GND	13	GND	WTDATH 14 WTDATA1H [17.21]
WTDATA1L [17.21]	15	WTDATL	GND 16
UN1SELH [16.21]	17	UNSELH	UNSELL 18 UN1SELL [16.21]
SKEND1L [17.21]	19	SKENDL	SKENDH 20 SKEND1H [17.21]
GND	21	GND	22 N/C
	N/C 23	RINDXH	GND 24
	N/C 25	RSPL	RSPH 26 N/C

P4

CONNRA26/100

GND	1	GND	SUOCKH 2 SUOCK2H [18.21]
SUOCK2L [18.21]	3	SUOCKL	GND 4
RDDATA2L [18.21]	5	RDDATL	RDDATH 6 RDDATA2H [18.21]
GND	7	GND	RDCKH 8 RDCK2H [18.21]
RDCK2L [18.21]	9	RDCKL	GND 10
WTCK2L [18.21]	11	WTCKL	WTCKH 12 WTCK2H [18.21]
GND	13	GND	WTDATH 14 WTDATA2H [18.21]
WTDATA2L [18.21]	15	WTDATL	GND 16
UN2SELH [16.21]	17	UNSELH	UNSELL 18 UN2SELL [16.21]
SKEND2L [18.21]	19	SKENDL	SKENDH 20 SKEND2H [18.21]
GND	21	GND	22 N/C
	N/C 23	RINDXH	GND 24
	N/C 25	RSPL	RSPH 26 N/C

P6

CONNRA26/100

GND	1	GND	SUOCKH 2 SUOCK3H [18.21]
SUOCK3L [18.21]	3	SUOCKL	GND 4
RDDATA3L [18.21]	5	RDDATL	RDDATH 6 RDDATA3H [18.21]
GND	7	GND	RDCKH 8 RDCK3H [18.21]
RDCK3L [18.21]	9	RDCKL	GND 10
WTCK3L [18.21]	11	WTCKL	WTCKH 12 WTCK3H [18.21]
GND	13	GND	WTDATH 14 WTDATA3H [18.21]
WTDATA3L [18.21]	15	WTDATL	GND 16
UN3SELH [16.21]	17	UNSELH	UNSELL 18 UN3SELL [16.21]
SKEND3L [18.21]	19	SKENDL	SKENDH 20 SKEND3H [18.21]
GND	21	GND	22 N/C
	N/C 23	RINDXH	GND 24
	N/C 25	RSPL	RSPH 26 N/C

P7

TITLE: 451 SMD CONNECTORS		
SHEET B	DRAWING NO. 300-160-400	REV G
21 OF 21	LEVEL 2	

XYLOGICS CONFIDENTIAL

Do Not Duplicate

The appearance of this message in black indicates an unauthorized copy.

COPY NO. 2714