

Revisions			217207	A	
LAL	Rev	Description	Chk	Date	Approved
X	A	ENGRG RELEASE	BN	3/19/79	

**ENGINEERING
RELEASE**

PNTKB-ASSY01.SIL

(PNTKB-PWASSY.DM)

Dist Code SPG

<p>These drawings and specifications and the data contained therein, are the exclusive property of Xerox Corporation and/or Rank Xerox, Ltd. Issued in strict confidence and shall not, without the prior written permission of Xerox Corporation or Rank Xerox, Ltd. be reproduced, copied or used for any purpose whatsoever except the manufacture of articles for Xerox Corporation or Rank Xerox.</p>	Notes Unless Specified	Drawn R. Freeman	Xerox Corporation El Segundo, California		
	<p>1. Tolerances .xx \pm.03 Angular .xxx \pm.010 $\pm 1/2^\circ$</p> <p>2. Break All Sharp Edges .010 Approx —</p> <p>3. Mach. Surfaces ✓</p> <p>4. All Dim. In Inches</p>	Check BN 3/19/79	XEROX		
		Appr. R. FREEMAN	ASSEMBLY, PRINTED WIRING- NOTETAKER KEYBOARD		
		Material			
Model No. Frst Use NOTETAKER 1	Finish	Code Ident 38338	Size A	Dwg. No. 217207	Change Letter A
Next Assy. Frst Use 217684		Scale NONE	Do Not Scale Drawing		Shoot 1 OF 10

NOTES: UNLESS OTHERWISE SPECIFIED

1. FABRICATE PER XEROX SPEC 209454.
2. WIRE LIST FOR P1 CABLE (MOUSE INTFC) IS GIVEN BELOW:

WIRE NO.	FROM (ITEM 1)	TO CONNECTOR	TERM	WIRE TYPE
1	P1 - 1	J1 - 19		35
2	2	16		
3	3	14		
4	4	15		
5	5	6		
6	6	1		
7	7	2		
8	8	3		
9	P1 - 9	J1 - 4		35

3. WIRE LIST FOR P2 CABLE (KEYBOARD INTERFACE) IS GIVEN BELOW:

WIRE NO.	FROM (ITEM 1)	TO CONNECTOR (ITEM 31)	TERM	WIRE TYPE
1	P2 - 1	P2 - 3	32	33
2	P2 - 2	P2 - 1	32	33
3	P2 - 3	P2 - 5	32	33
4	P2 - 4	P2 - 7	32	33

VCC
GND
KBD REV
KBDXMIT

PNTKB-ASSY02.SIL

These drawings and specifications, and the data contained therein, are the exclusive property of Xerox Corporation and or Rank Xerox, Ltd. Issued in strict confidence and shall not, without the prior written permission of Xerox Corporation Rank Xerox, Ltd., be reproduced, copied or used for any purpose whatsoever, except the manufacture of articles for Xerox Corporation or Rank Xerox, Ltd.

Title

ASSY, PRINTED WIRING-
NOTETAKER KEYBOARD

Xerox Corporation
El Segundo, California

XEROX

217207

A

Sheet

2

of

10

MATERIAL LIST

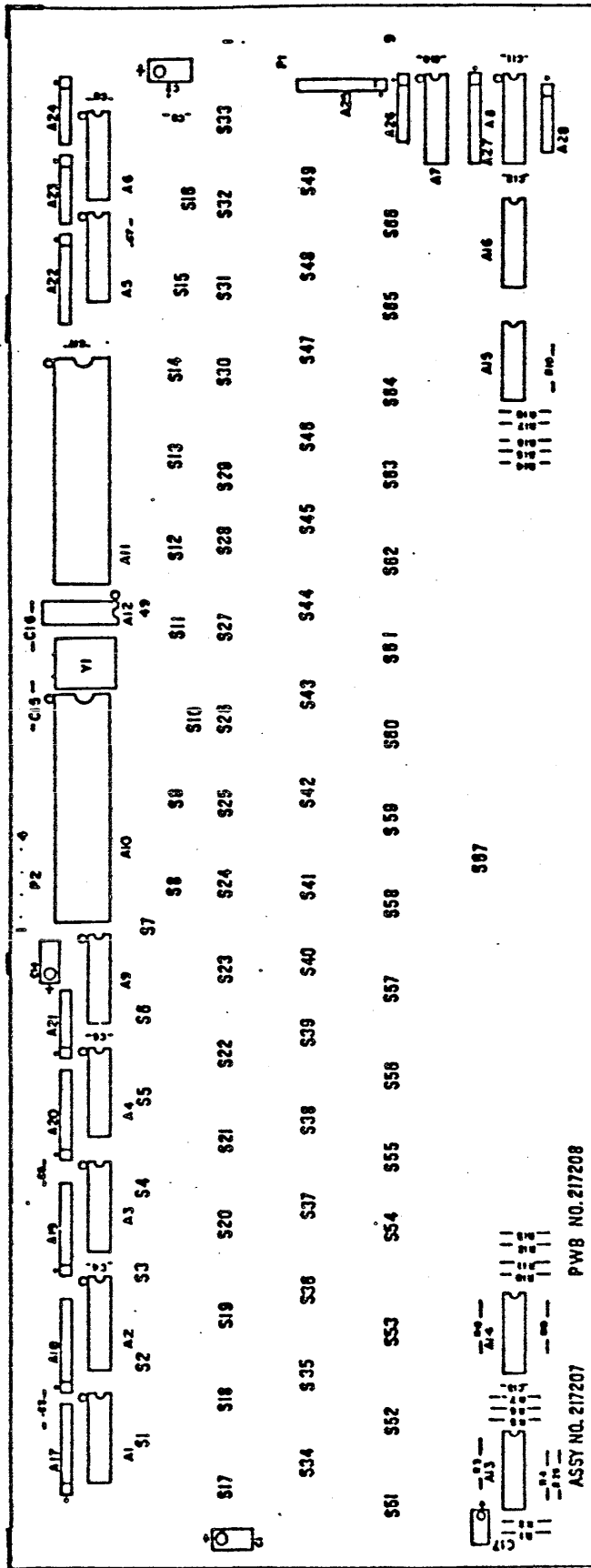
ML	Drawing No. 217207	Rev. A
----	-----------------------	-----------

Rev. A wg. o. 2 1 7 2 0 7	Drawing Title ASSEMBLY, PRINTED WIRING NOTETAKER KEYBOARD		These drawings and specifications, and the data contained therein, are the exclusive property of Xerox Corporation and or Rank Xerox, Ltd. Issued in strict confidence and shall not, without the prior written permission of Xerox Corporation Rank Xerox, Ltd., be reproduced, copied or used for any purpose whatsoever, except the manufacture of articles for Xerox Corporation or Rank Xerox, Ltd.		
	PNTKB-ASSY03.SIL		Model No. NOTETAKER 1	Date 3/19/79	Sheet 3 of 10
ML	Item No.	Drawing Title	Drawing No.	No. Req.	Remarks
	1	BOARD, PW - KEYBOARD	217208	1	
	2	SPEC, PROC. KEYBOARD BUTTON	217164-060	1	
	3	SWITCH MODULE, MOMENTARY (MICROSW 1001SD4B3A)		60	S1 - 17,19-33,35-47,49, 53-63,65,66,67
	4	SWITCH MODULE,ALT ACTION (MICROSW 1001SD5B3A)		1	S51
	5	SUPPORT MODULE (MICROSW 1001SD6B1D)		5	S18,34,48,52,64
	6	PIN, RETAINER - PLASTIC (MICROSW SD10381)		9	
	7	RESISTOR PACK, 8 PIN 3.3K (CTS 750-81-3.3K)		6	A17,18,19,20,22,27
	8	RESISTOR PACK 6 PIN 3.3K (CTS 750-61-3.3K)		5	A21,23,24,26,28
	9	RESISTOR PACK 8 PIN 1K (CTS 750-81-10K)		1	A25
	10	CAPACITOR, CER. .01 UF, 50V	188483-001	12	C3-13, 17
	11	CAPACITOR, TANT. 22UF, 15V	114491-226	4	C1,2,14,17
	12	CAPACITOR, POLYSTYRENE, 20 PF	117160-200	2	C15,16
	13	CRYSTAL, 6 MHZ (CTS MPO60)		1	Y1
	14	PANEL, GRID-KEYBOARD SWITCH	217212	1	
	15	MICROCIRCUIT SN74LS353 (TI)		8	A1-8
	16	MPQ3906 (MOTOROLA)		2	A14,15
	17	MPQ3303 (MOTOROLA)		1	A13
	18	K1114A, 960 KHZ (MOTOROLA)		1	A12
	19	HD-6402 (HARRIS)		1	A11
	20	I8748 (INTEL)		1	A10
	21	74LS368		1	A16
	22	MICROCIRCUIT 74LS259		1	A9
	23	CONNECTOR, 19 PIN (CANNON # 2DE19S)		1	J1
	24	RESISTOR, 1K, 1/4 W, 5%	116447-201	5	R2,3,4,6,7
	25	300 OHM, 1/4 W, 5%	301	4	R9,10,16,18
	26	750 OHM	751	4	R8,11,15,17
	27	39 OHM	390	1	R5
	28	3.3K	332	1	R1
	29	3.9K	392	1	R20
30	RESISTOR, 4.7K 1/4 W, 5%	116447-472	4	R12,13,14,19	

ML	Drawing No. 217207	Rev. A
----	-----------------------	-----------

MATERIAL LIST

Rev. A	Drawing Title		<p>These drawings and specifications, and the data contained therein, are the exclusive property of Xerox Corporation and or Rank Xerox, Ltd. Issued in strict confidence and shall not, without the prior written permission of Xerox Corporation Rank Xerox, Ltd., be reproduced, copied or used for any purpose whatsoever, except the manufacture of articles for Xerox Corporation or Rank Xerox, Ltd.</p>		
	<p>ASSY, PRINTED WIRING NOTETAKER KEYBOARD</p>				
Dwg. No. 217207	PNTKB-ASSY04.SIL		Model No.	Date	Sheet
			NOTETAKER 1	3/19/79	4 of 10
7	Item No.	Drawing Title	Drawing No.	No. Req.	Remarks
	31	CONNECTOR, PLUG, 7 POS		1	(P2) VIKING #TKP07-100
ML	32	CONTACT, SOCKET		4	VIKING #TS-100AU
	33	CABLE, TELEPHONE CONVERT/EXTN		A/R	RADIO SHACK #279-364
	34	CLAMP, CABLE, NYLON	100657-001	2	
	35	WIRE, STR TEFLON INS 24 AWG		A/R	
	36				
	37				
	38				
	39				
	40				

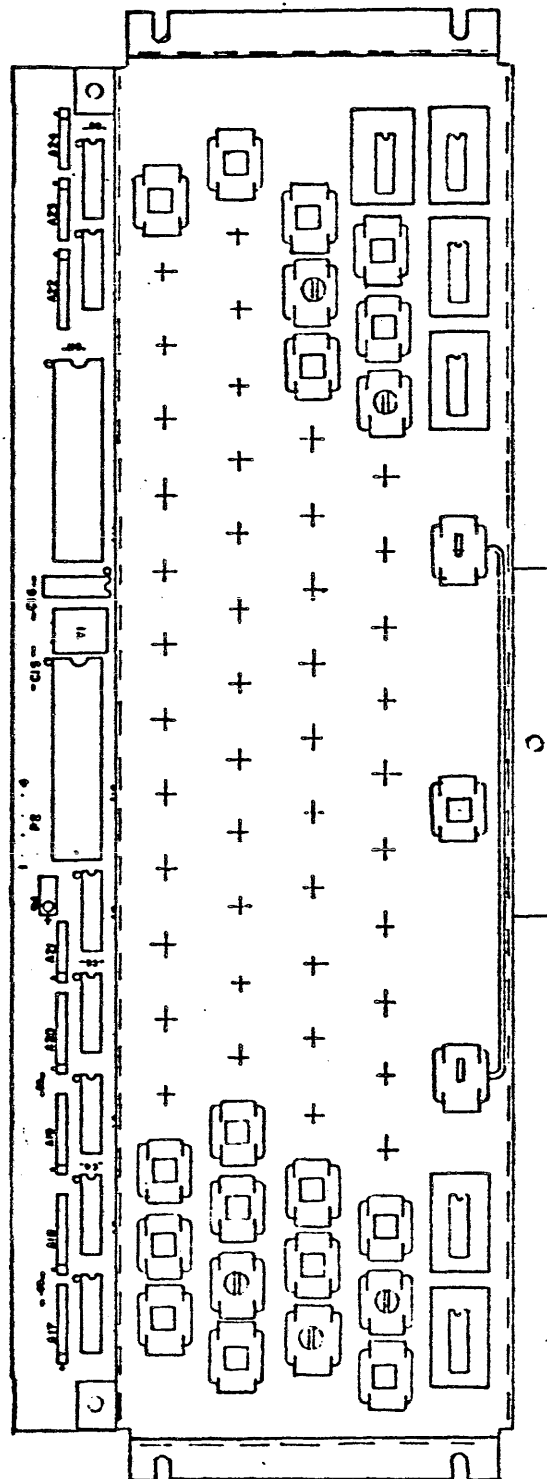


ASSY NO. 217207
 PWB NO. 217208
 587

These drawings and specifications, and the data contained therein, are the exclusive property of Xerox Corporation and/or Rank Xerox, Ltd. issued in strict confidence and shall not, without the prior written permission of Xerox Corporation or Rank Xerox, Ltd., be reproduced, copied or used for any purpose whatsoever, except the manufacture of articles for Xerox Corporation or Rank Xerox, Ltd.

Title
**ASSY, PRINTED WIRING-
 NOTETAKER KEYBOARD**

Xerox Corporation
 El Segundo, California
XEROX
 217207
 A
 Sheet 5 of 10



These drawings and specifications, and the data contained therein, are the exclusive property of Xerox Corporation and/or Rank Xerox, Ltd. issued in strict confidence and shall not, without the prior written permission of Xerox Corporation or Rank Xerox, Ltd., be reproduced, copied or used for any purpose whatsoever, except the manufacture of articles for Xerox Corporation or Rank Xerox, Ltd.

Title
 ASSY, PRINTED WIRING-
 NOTETAKER KEYBOARD

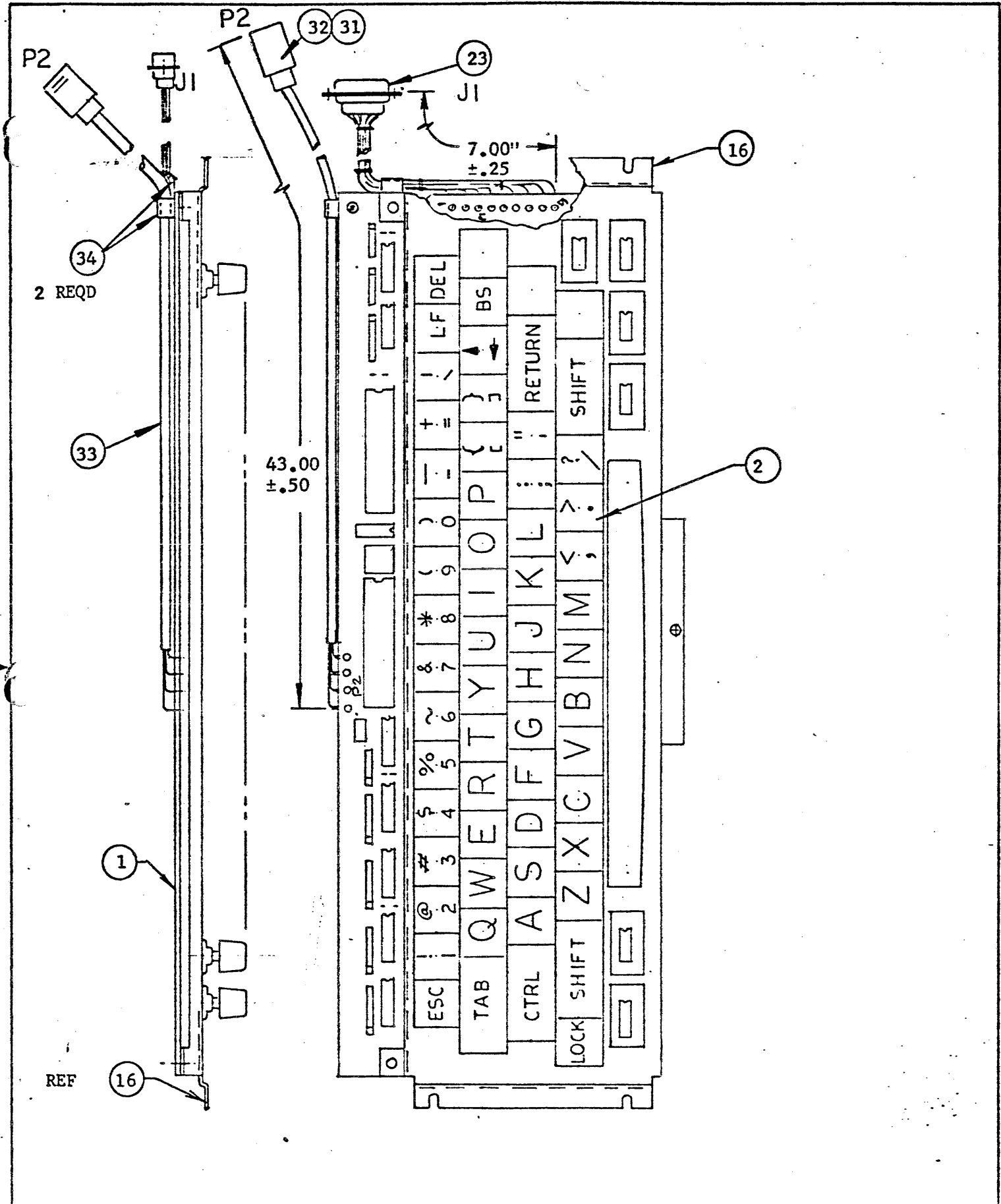
Xerox Corporation
 El Segundo, California

XEROX

217207

A

Sheet 6 of 10



REF

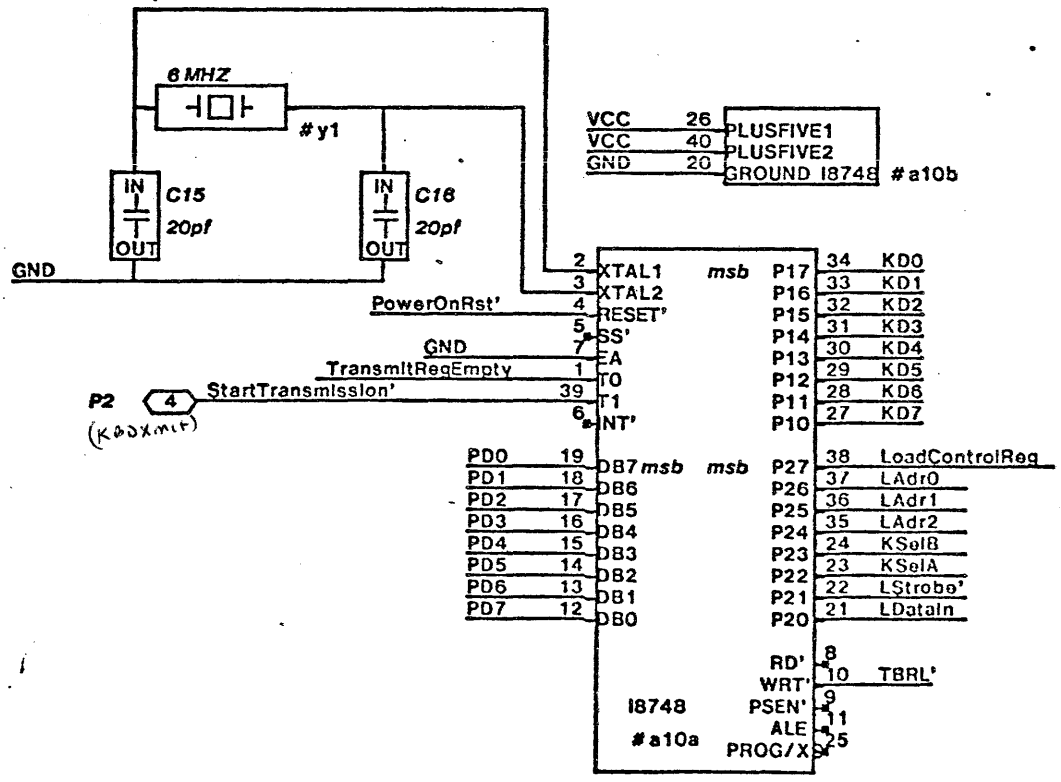
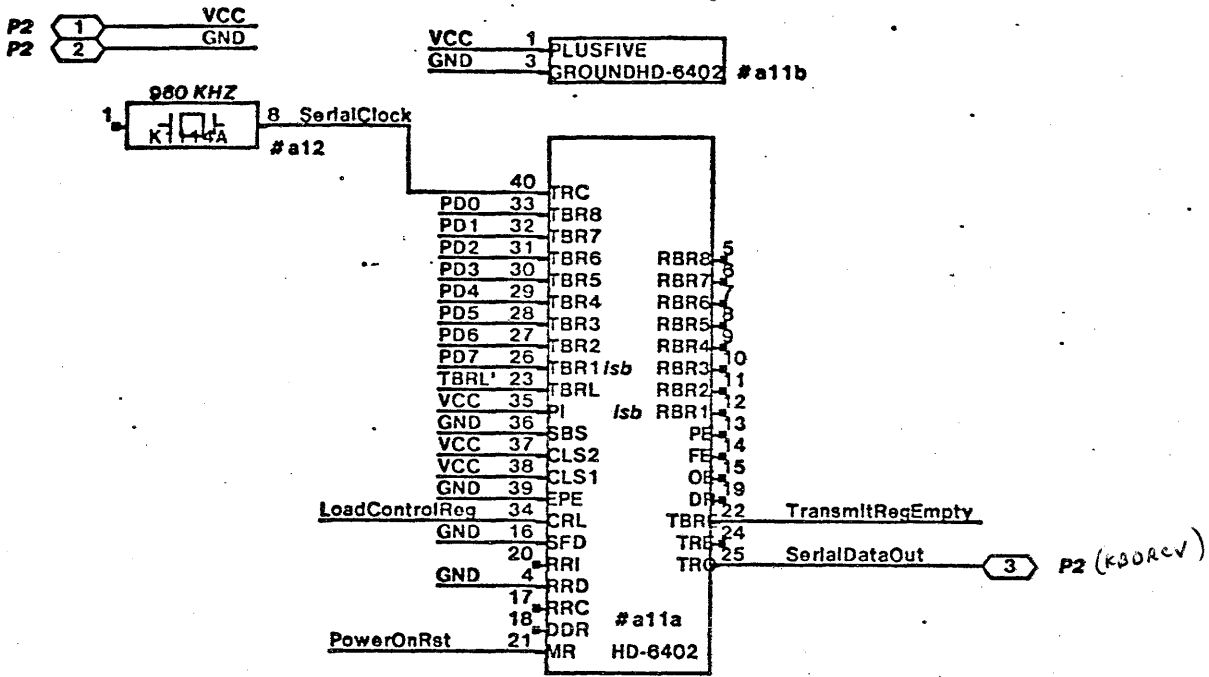
These drawings and specifications, and the data contained therein, are the exclusive property of Xerox Corporation and/or Rank Xerox, Ltd. issued in strict confidence and shall not, without the prior written permission of Xerox Corporation or Rank Xerox, Ltd., be reproduced, copied or used for any purpose whatsoever, except the manufacture of articles for Xerox Corporation or Rank Xerox, Ltd.

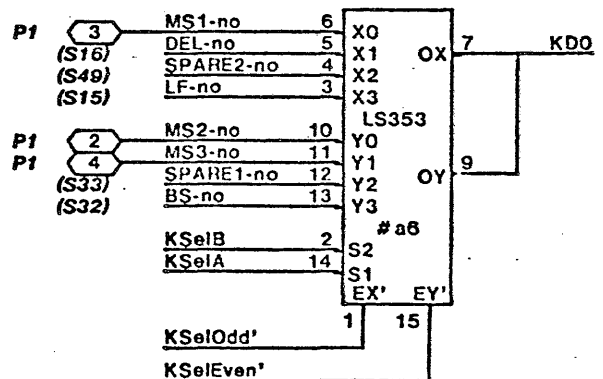
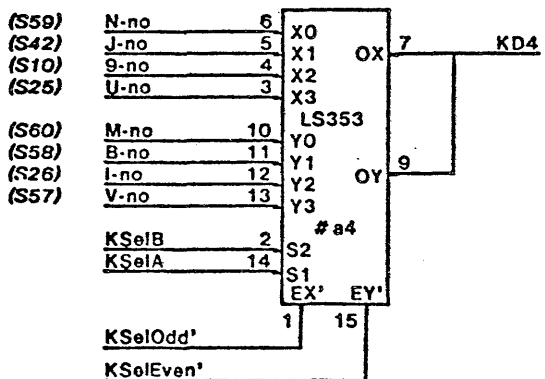
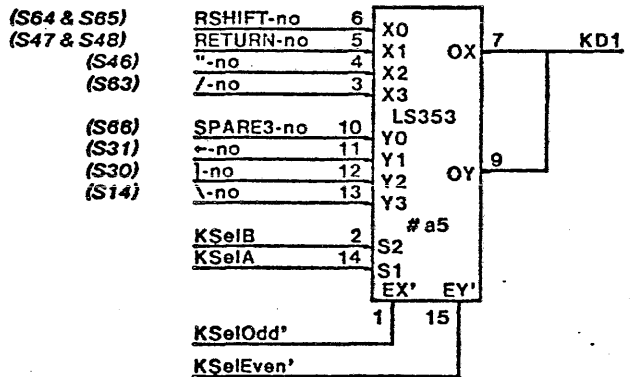
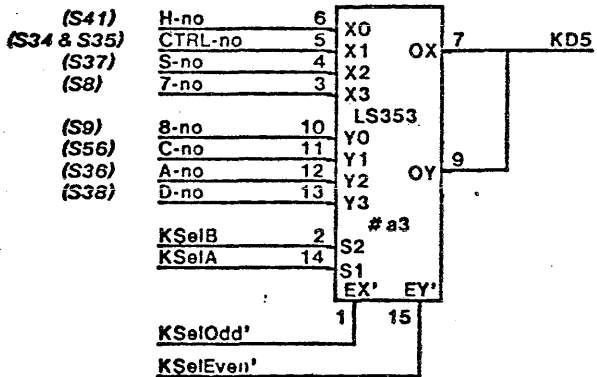
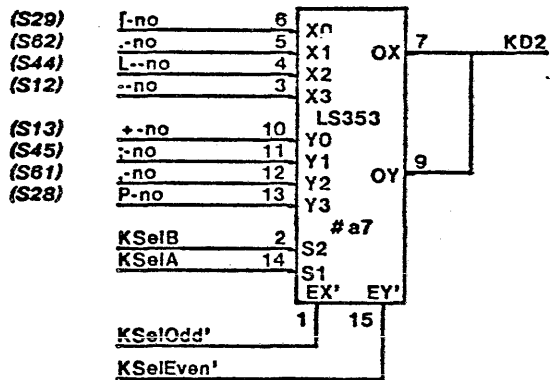
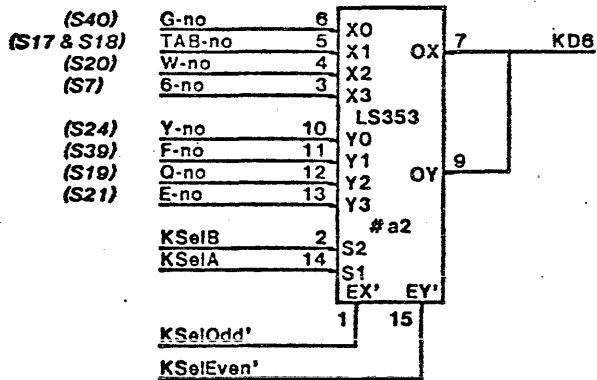
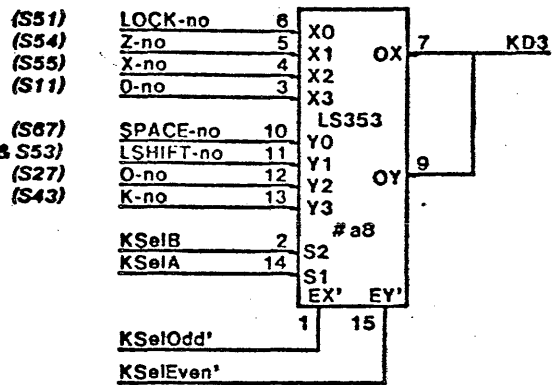
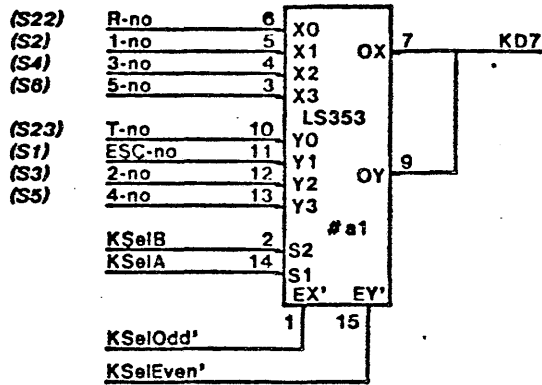
Title
ASSY, PRINTED WIRING-
NOTETAKER KEYBOARD

Xerox Corporation
 El Segundo, California

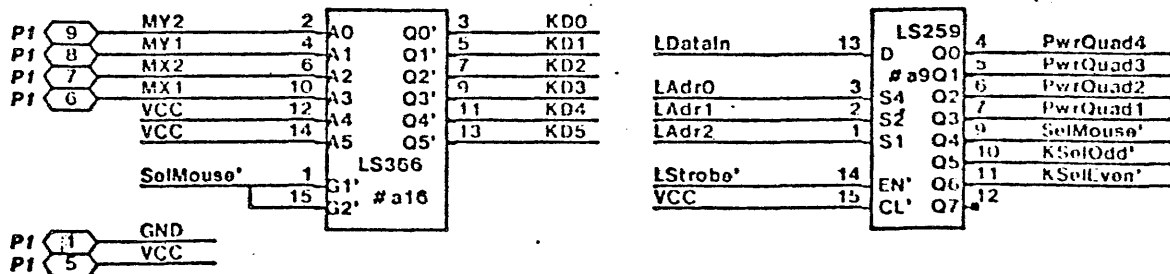
XEROX

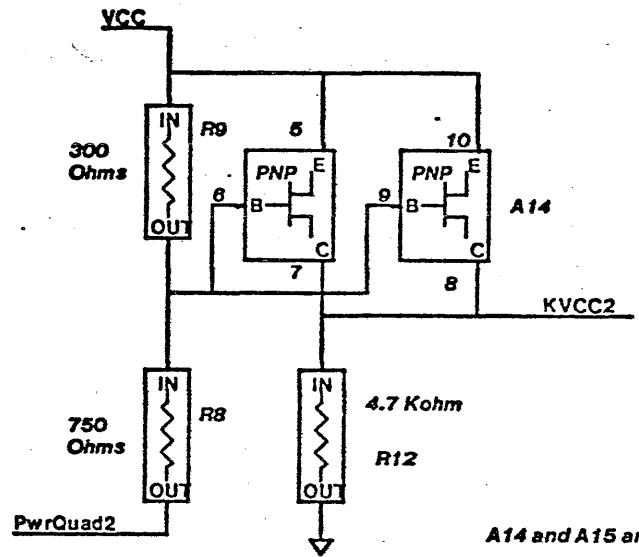
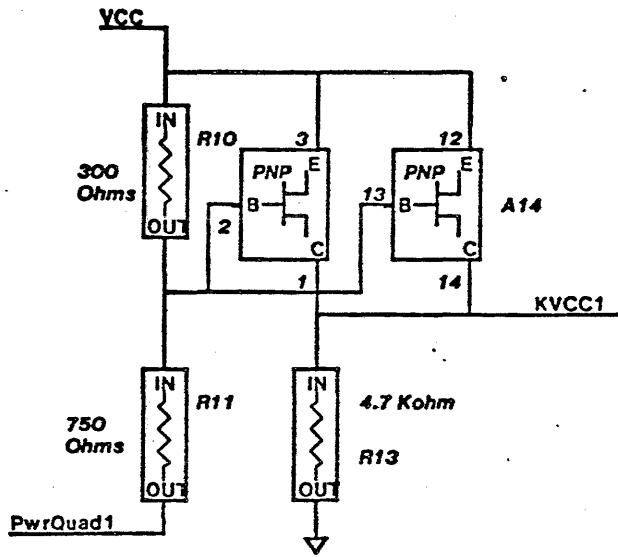
	217207	A
Sheet	7 of	10



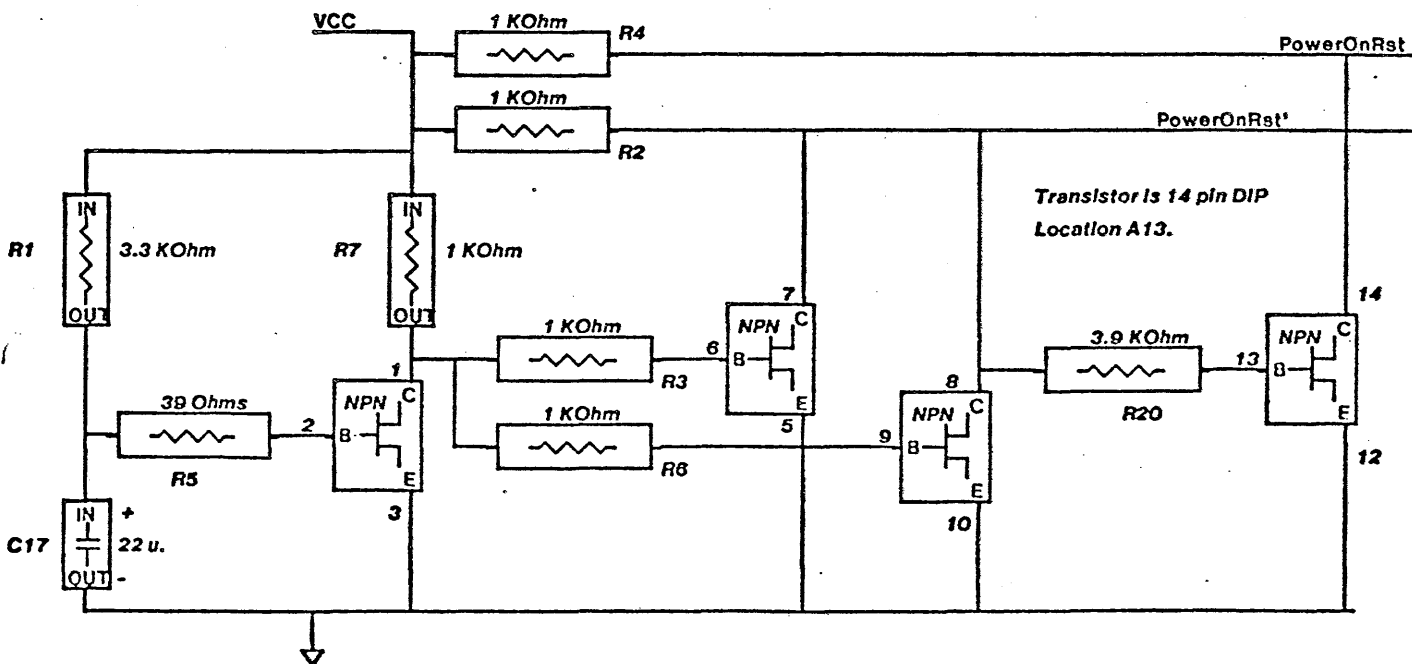
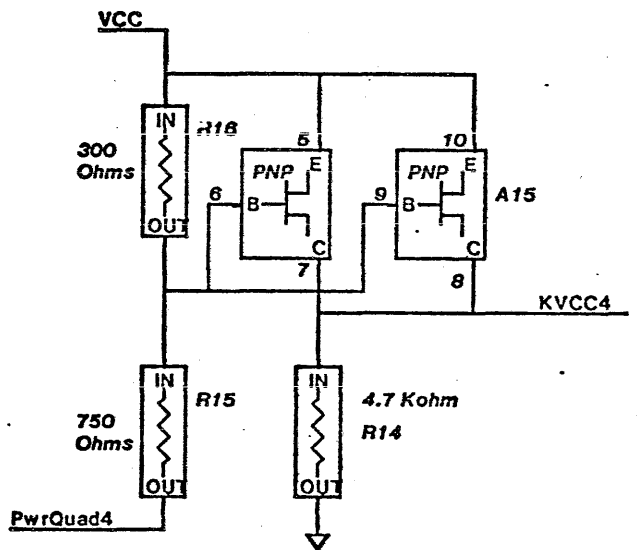
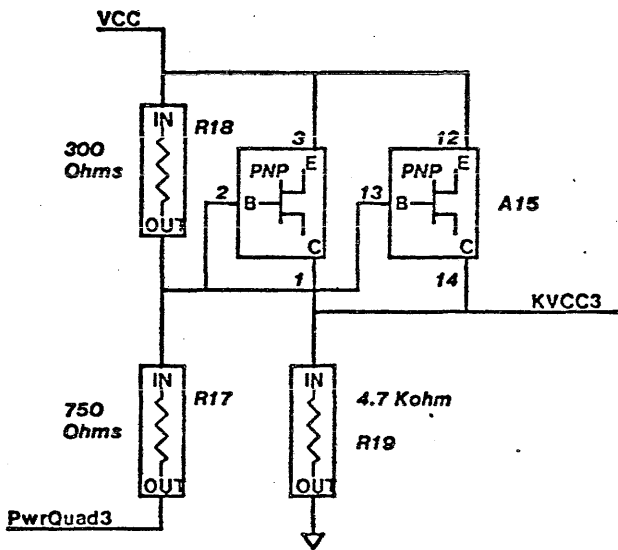


The MX, MY, and MS signals have 10KOhm pullups to VCC.
 The rest of the switches all have 3.3 KOhm pullups to VCC.





A14 and A15 are 14pin DIPs



Transistor is 14 pin DIP Location A13.