

Revisions				216389	E
LAL	Rev.	Description	Chk	Date	Approved
	A	ENGRG RELEASE	<i>FIL BU</i>		
	B	REVISED	<i>FIL BU</i>	<i>6-14 76</i>	<i>R. Freeman</i>
	C	REVISED RESET MODE REGISTER LOGIC	<i>BU</i>	<i>7-19 76</i>	<i>R. Freeman</i>
	D	M/L ITEM 11 8T10 WAS 74173. SH 9 A14,15,16,17 8T10 WAS 74173. SH 11 A46, 47 8T10 WAS 74173.	<i>BU</i>	<i>10-22 76</i>	<i>R. Freeman</i>
	E	M/L ITEM 41 ADDED R20, QTY WAS 1.	<i>BU</i>	<i>4-10 77</i>	<i>R. Freeman</i>

THIS DOCUMENT CONTAINS 18 SHEETS

Dist Code ALT

<p>These drawings and specifications, and the data contained therein, are the exclusive property of Xerox Corporation and/or Rank Xerox, Ltd. issued in strict confidence and shall not, without the prior written permission of Xerox Corporation or Rank Xerox, Ltd., be reproduced, copied or used for any purpose whatsoever, except the manufacture of articles for Xerox Corporation or Rank Xerox, Ltd.</p>	Notes Unless Specified	Drawn <i>W. Take</i>	Xerox Corporation El Segundo, California		XEROX
	1. Tolerances .XX ±.03 Angular ±½° .XXX ±.010	Check <i>R. Freeman</i>	Title ALTO II		
	2. Break All Sharp Edges .010 Approx.	Appr. <i>R. Freeman</i>	ASSEMBLY, PRINTED WIRING-		
	3. Mach. Surfaces <input checked="" type="checkbox"/> 4. All Dim. in Inches	Material	DISK CONTROL		
Del. No. First Use ALTO II EW0 7YF 92	Finish	Code Ident. 18338	Size A	Dwg. No. 216389	Change Letter E
Next Assy. First Use 216302		Scale	Do Not Scale Drawing		Sheet 1

NOTES: UNLESS OTHERWISE SPECIFIED

1. CUT ETCH AND ADD JUMPER AS FOLLOWS:
 - A. CUT ETCH BETWEEN A11-13 AND FEED THRU (NEAR C22), (COMPONENT SIDE), (FEED THRU CONNECTS TO PIN 70).
 - B. CUT ETCH BETWEEN A11-10 AND A11-13, (CIRCUITRY SIDE).
 - C. ADD JUMPER FROM A11-10 TO FEED THRU (NEAR C22), (FEED THRU CONNECTS TO PIN 70).
 - D. ADD JUMPER FROM PIN 73 TO A11-13.
2. ASSEMBLE PER ALTO II MODULE ASSEMBLY SPECIFICATION, DWG NO. 216207.

These drawings and specifications, and the data contained therein, are the exclusive property of Xerox Corporation and/or Rank Xerox, Ltd. issued in strict confidence and shall not, without the prior written permission of Xerox Corporation or Rank Xerox, Ltd., be reproduced, copied or used for any purpose whatsoever, except the manufacture of articles for Xerox Corporation or Rank Xerox, Ltd.

Title
ALTO II
ASSEMBLY, P.W.
DISK CONTROL

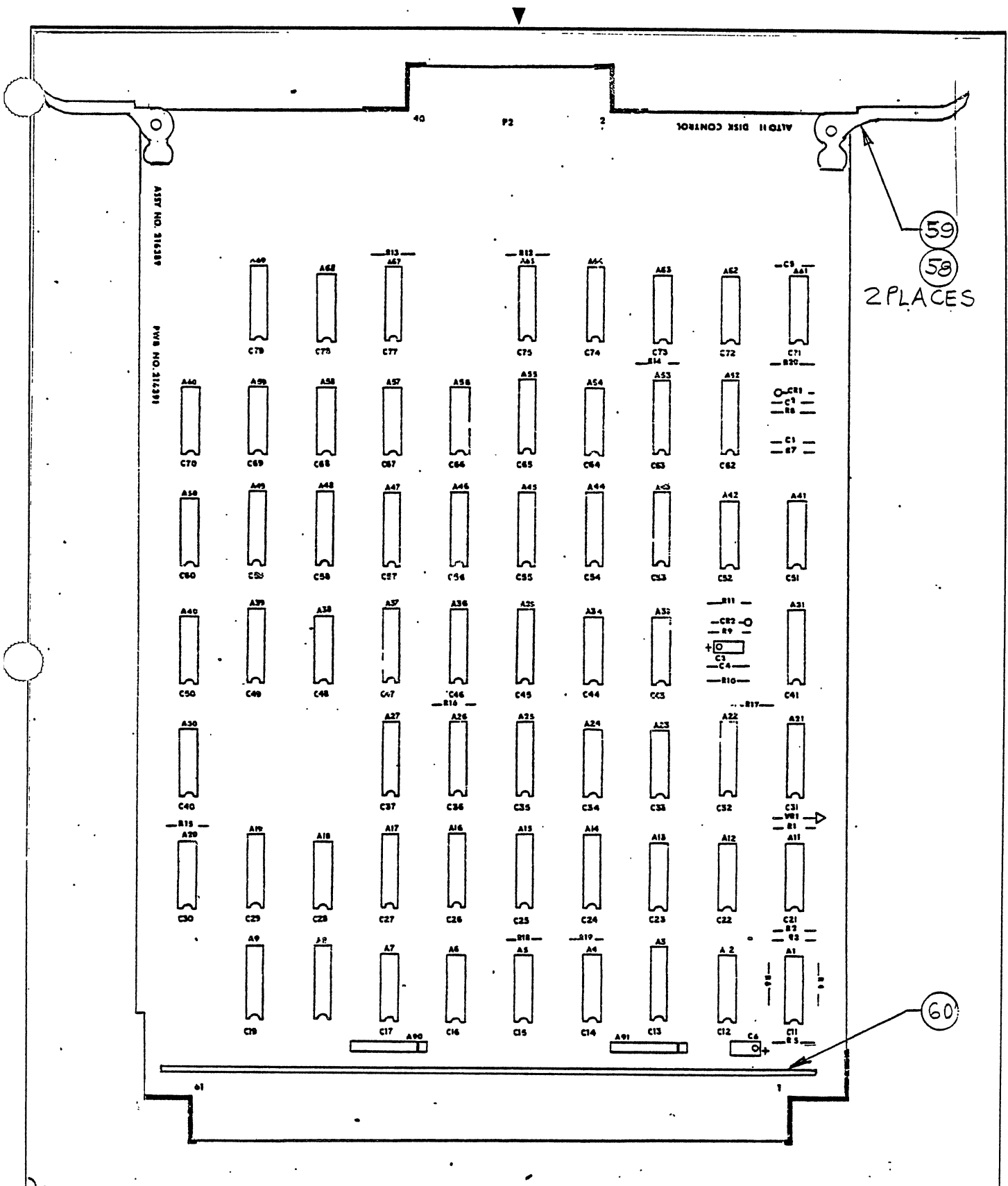
Xerox Corporation
El Segundo, California

XEROX

216389

E

Sheet 2 Of



These drawings and specifications, and the data contained therein, are the exclusive property of Xerox Corporation and/or Rank Xerox, Ltd. issued in strict confidence and shall not, without the prior written permission of Xerox Corporation or Rank Xerox, Ltd., be reproduced, copied or used for any purpose whatsoever, except the manufacture of articles for Xerox Corporation or Rank Xerox, Ltd.

Title
**ASSY, P.W.-
 DISK CONTROL**

Xerox Corporation El Segundo, California		XEROX
216389		
Sheet	3	Of

Material List

ML	Drawing No. 216389	Rev. E
-----------	------------------------------	------------------

Rev. E	Drawing Title ALTO II	These drawings and specifications, and the data contained therein, are the exclusive property of Xerox Corporation and/or Rank Xerox, Ltd. issued in strict confidence and shall not, without the prior written permission of Xerox Corporation or Rank Xerox, Ltd., be reproduced, copied or used for any purpose whatsoever, except the manufacture of articles for Xerox Corporation or Rank Xerox, Ltd.		
	ASSEMBLY, PRINTED WIRING-DISK CONTROL	Model No. ALTO II	Date 6/14/76	Sheet 4 of

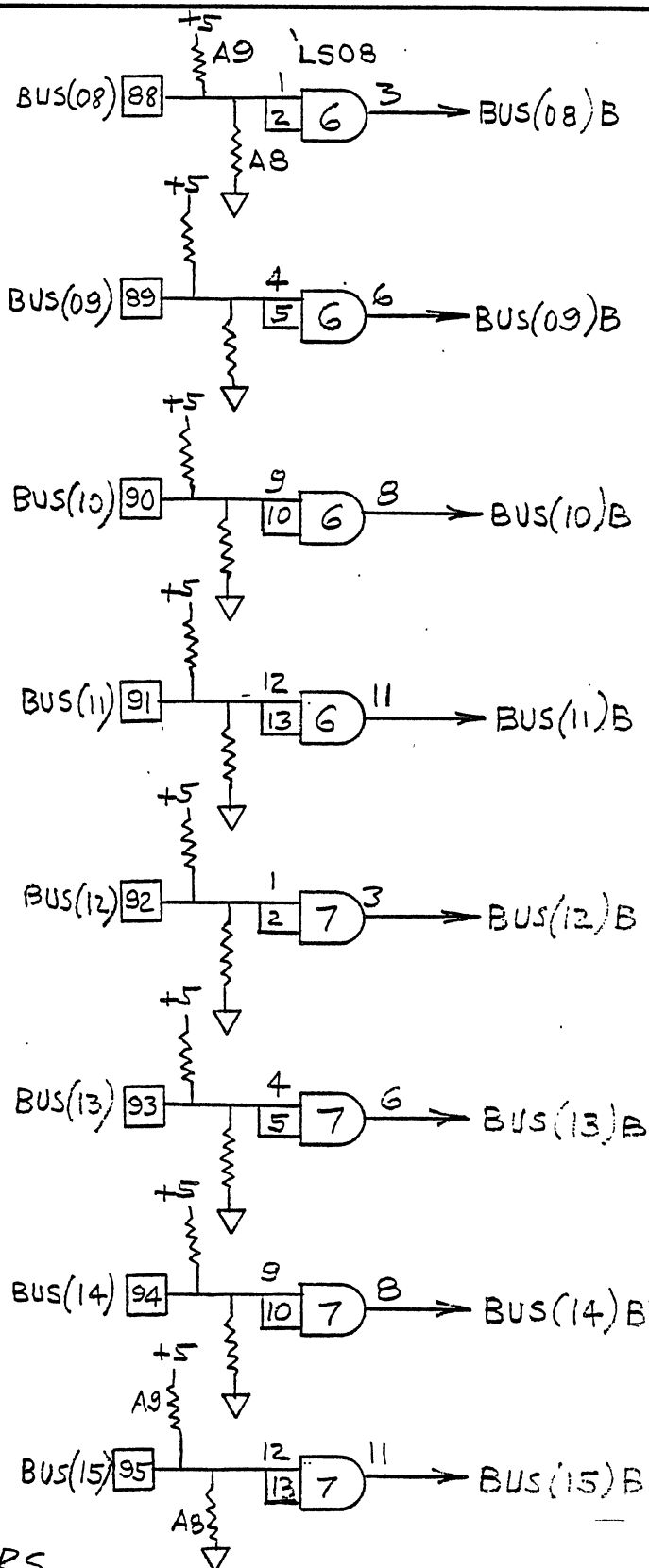
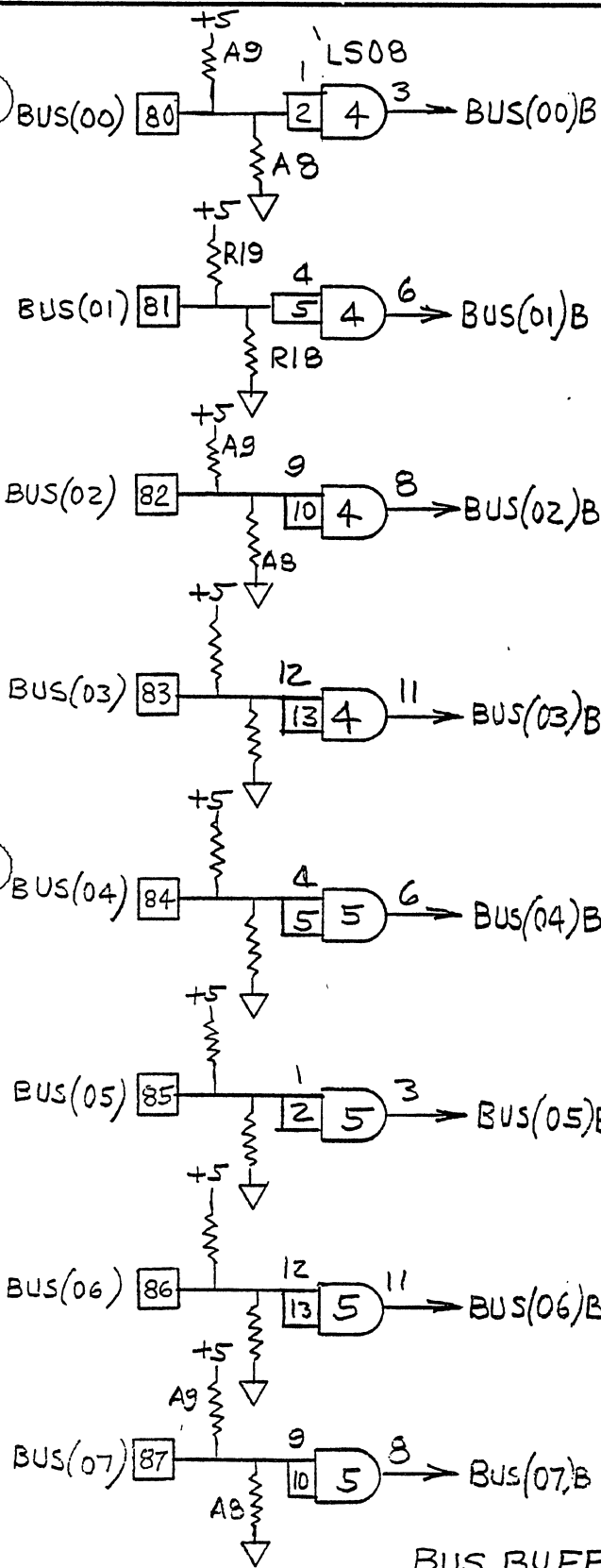
Drawing No. 216389	ML	Item No.	Drawing Title	Drawing No.	No. Req.	Remarks
		1	BOARD, PRINTED WIRING	216391	1	
2	SPEC, TEST	216390	REF			
3	SPEC, MODULE ASSEMBLY	216207	REF			
4	MICROCIRCUIT, MPQ3303		1	A1		
5	74H04		3	A2, 56, 59		
6	3205		1	A3		
7	74LS08		4	A4, 5, 6, 7		
8	74H00		1	A11		
9	74S04		1	A12		
10	74164		2	A13, 18		
11	8T10		6	A14, 15, 16, 17, 46, 47		
12	74166		2	A19, 39		
13	7437		5	A20, 30, 40, 58, 68		
14	74109		8	A21, 22, 43, 44, 45, 53, 55, 67		
15	74S32		2	A23, 57		
16	7438		2	A24, 34		
17	74174		3	A25, 26, 27		
18	74123		2	A31, 52		
19	7400		2	A33, 63		
20	I3404		1	A35		
21	74195		2	A36, 37		
22	74H08		2	A38, 42		
23	74H11		1	A41		
24	8231		2	A48, 49		
25	74H01		2	A50, 60		
26	74S02		1	A54		
27	7414		1	A61		
28	74H106		1	A64		
29	74153		1	A65		
30	MICROCIRCUIT, 74161		1	A69		
31	OSCILLATOR, K1100A		1	A62		
32						

Material List

ML	Drawing No. 216389	Rev. E
-----------	------------------------------	------------------

Rev. E.	Drawing Title ALTO II ASSEMBLY, PRINTED WIRING- DISK CONTROL		These drawings and specifications, and the data contained therein, are the exclusive property of Xerox Corporation and/or Rank Xerox, Ltd. issued in strict confidence and shall not, without the prior written permission of Xerox Corporation or Rank Xerox, Ltd., be reproduced, copied or used for any purpose whatsoever, except the manufacture of articles for Xerox Corporation or Rank Xerox, Ltd.		
			Model No. ALTO II	Date 6/14/76	Sheet 5 of

Drawing No. 216389	ML	Item No.	Drawing Title	Drawing No.	No. Req.	Remarks
		33	RESISTOR, NETWORK, DIP, 270Ω (AB#316A271)		1	A9
		34	RESISTOR, NETWORK, DIP, 560Ω (AB#316A561)		1	A8
		35	RESISTOR, NETWORK, 470Ω, (CTS #750-81-R470)		2	A90, 91
		36	RESISTOR, FILM, 39Ω ±5%, 1/4W	116447-390	2	R1, R2
		37	200 Ω ±5%, 1/4W	116447-201	5	R3, 4, 5, 6, 12
		38	24K ±5%, 1/4W	116447-243	2	R7, 8
		39	15K ±5%, 1/4W	116447-153	1	R9
		40	30K ±5%, 1/4W	116447-303	1	R10
		41	330 Ω ±5%, 1/4W	116447-331	2	R11, R20
		42	560 Ω ±5%, 1/4W	116447-561	1	R18
		43	270 Ω ±5%, 1/4W	116447-271	1	R19
		44	RESISTOR, FILM, 1K ±5%, 1/4W	116447-102	5	R13, 14, 15, 16, 17
		45				
		46	DIODE, IN4148		2	CR1, CR2
		47	DIODE, ZENER, IN5227		1	VR1
		48				
		49	CAPACITOR, 150PF NYTRONICS DC151		1	C1
		50	CAPACITOR, .01μF		2	C2, C4
		51	CAPACITOR, .47μF ±20%, 50V	114491-474	1	C3
		52	CAPACITOR, 270PF NYTRONICS DC 271		1	C5
		53	CAPACITOR, TANT., 22μF ±20%, 15V	114491-226	1	C6
		54	CAPACITOR, .05μF, 10V CENTRALAB#UK10-503		62	C11-17, 19, 21-37, 40, 41, 43-60, 62-75, 77-79
		55				
		56	SOCKET, MICROCIRCUIT		31	AUGAT#514-AG10D
		57	SOCKET, MICROCIRCUIT		32	AUGAT#516-AG10D
		58	RIVET	156111-005	2	
		59	EXTRACTOR	216250	2	
		60	STIFFENER	216242	1	



BUS BUFFERS

These drawings and specifications, and the data contained therein, are the exclusive property of Xerox Corporation and/or Rank Xerox, Ltd. issued in strict confidence and shall not, without the prior written permission of Xerox Corporation or Rank Xerox, Ltd., be reproduced, copied or used for any purpose whatsoever, except the manufacture of articles for Xerox Corporation or Rank Xerox, Ltd.

Title ALTO II
 ASSEMBLY, P.W.-
 DISK CONTROL

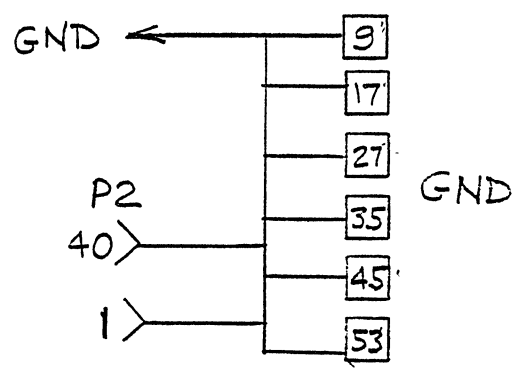
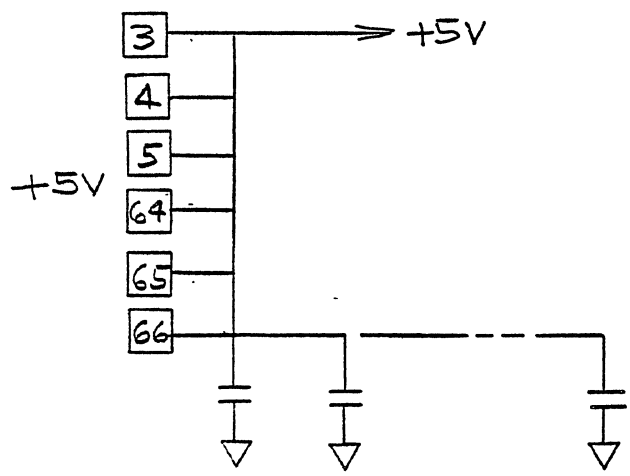
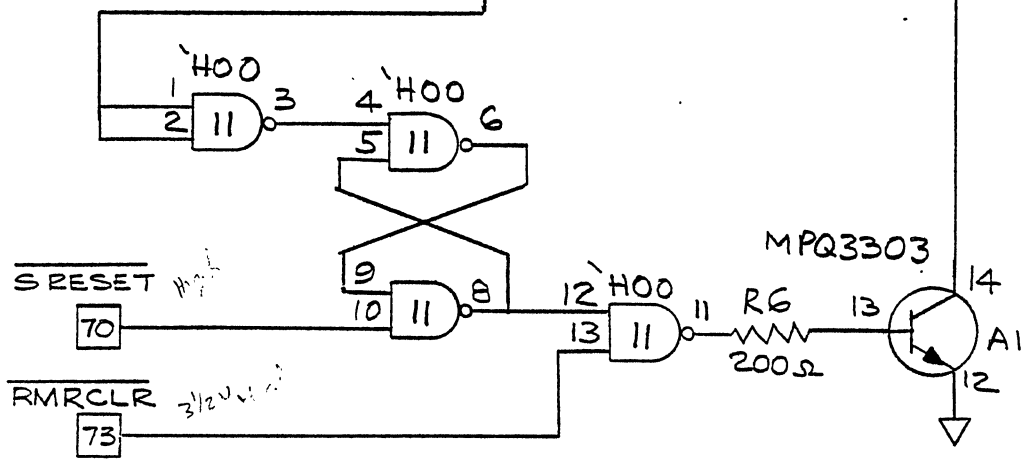
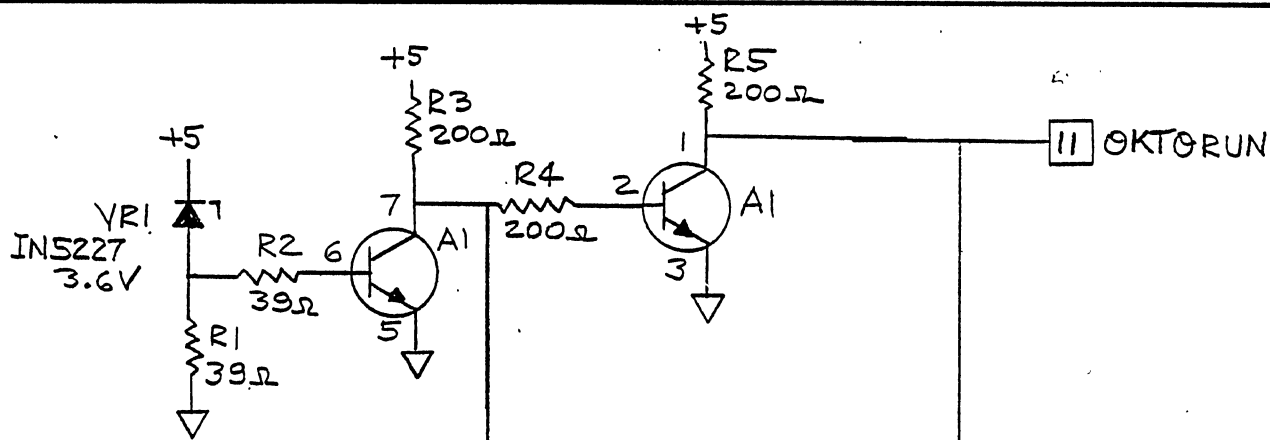
Xerox Corporation
 El Segundo, California

XEROX

216389

E

Sheet 6 Or

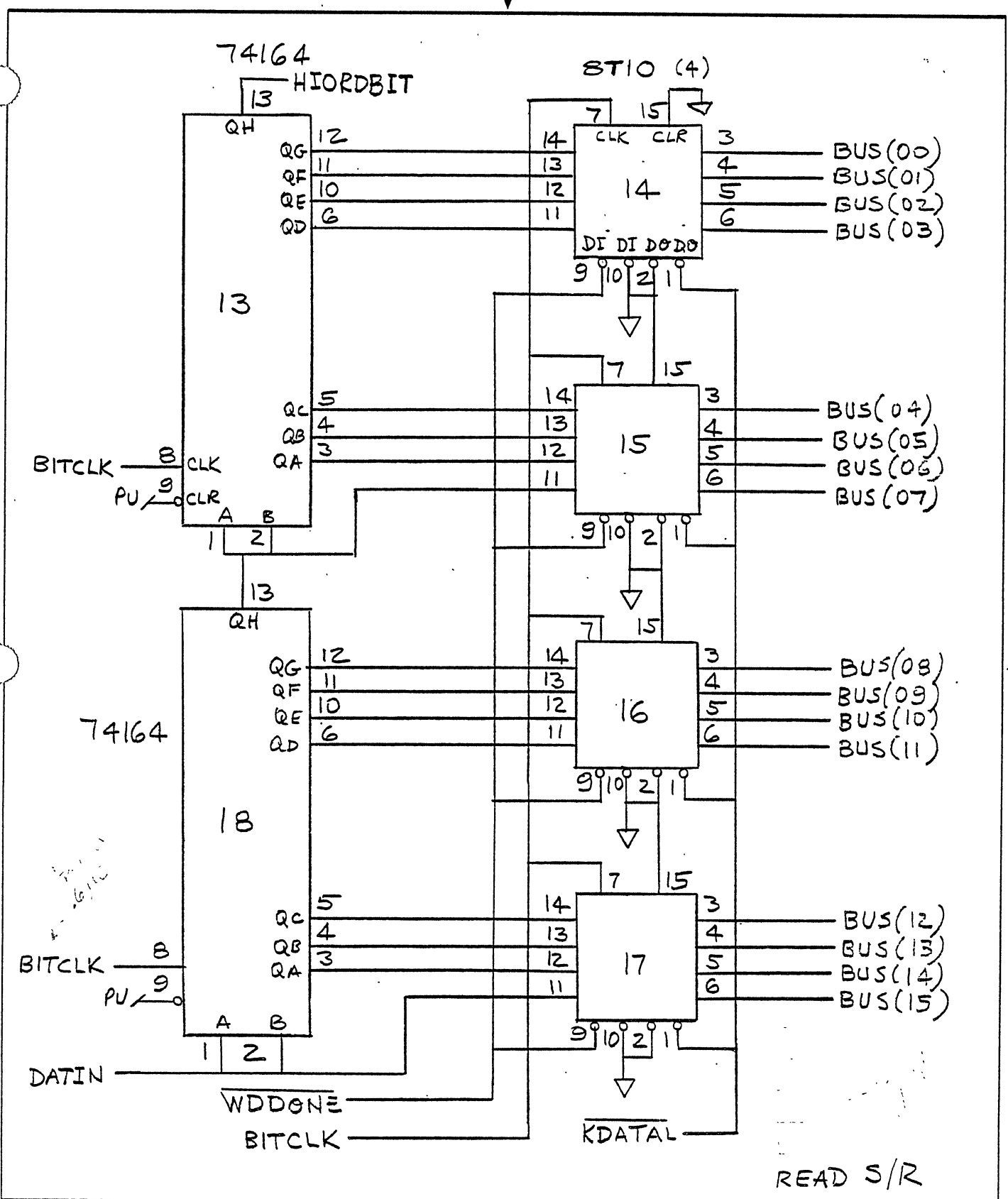


POWER ON RESET

These drawings and specifications, and the data contained therein, are the exclusive property of Xerox Corporation and/or Rank Xerox, Ltd. issued in strict confidence and shall not, without the prior written permission of Xerox Corporation or Rank Xerox, Ltd., be reproduced, copied or used for any purpose whatsoever, except the manufacture of articles for Xerox Corporation or Rank Xerox, Ltd.

Title
**ALTO II
 ASSEMBLY, P.W.-
 DISK CONTROL**

Xerox Corporation El Segundo, California		XEROX
216389		
Sheet	7	Jf

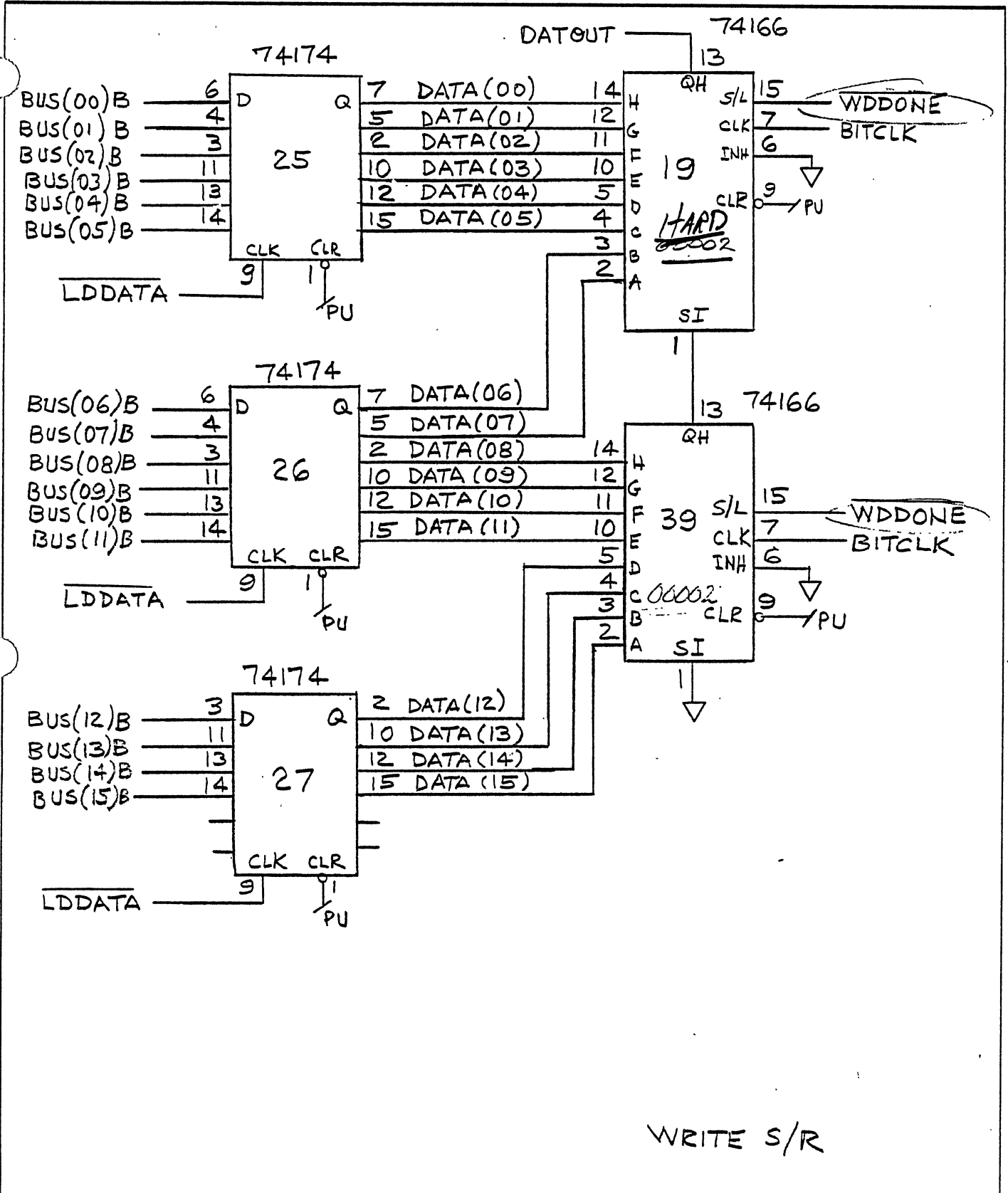


READ S/R

These drawings and specifications, and the data contained therein, are the exclusive property of Xerox Corporation and/or Rank Xerox, Ltd. issued in strict confidence and shall not, without the prior written permission of Xerox Corporation or Rank Xerox, Ltd., be reproduced, copied or used for any purpose whatsoever, except the manufacture of articles for Xerox Corporation or Rank Xerox, Ltd.

Title
ALTO II
 ASSEMBLY, PRINTED W.
 DISK CONTROL

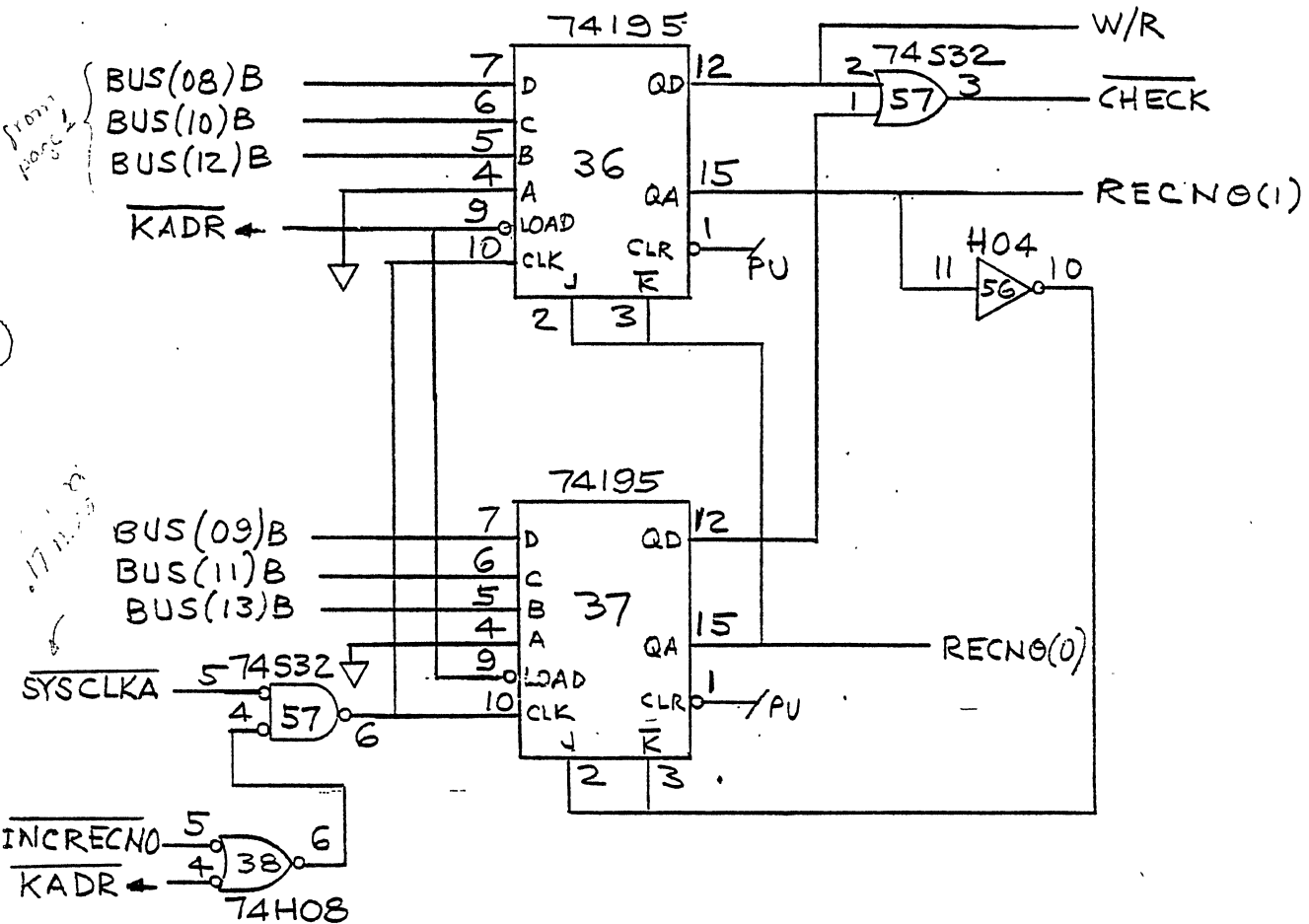
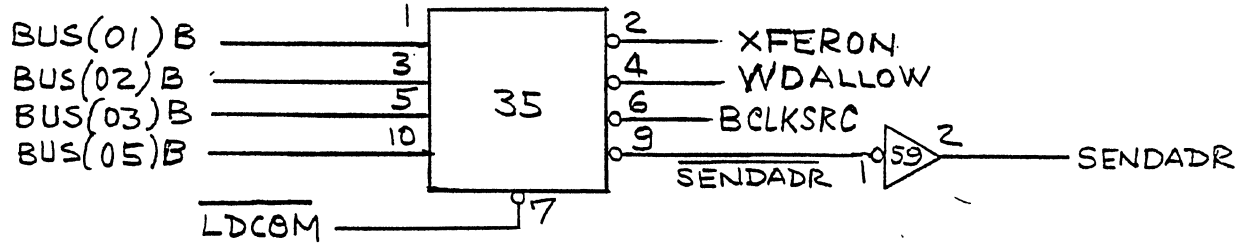
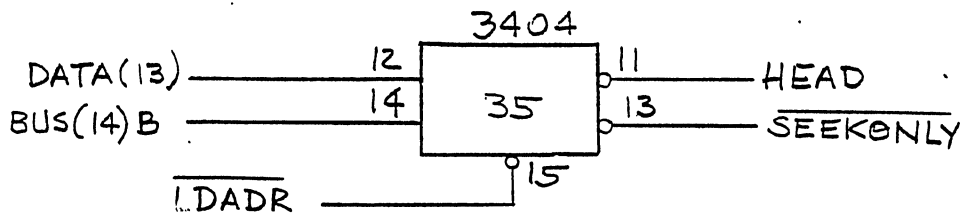
Xerox Corporation
 El Segundo, California
XEROX
 216389
 Sheet 9 Of
 E



These drawings and specifications, and the data contained therein, are the exclusive property of Xerox Corporation and/or Rank Xerox, Ltd. issued in strict confidence and shall not, without the prior written permission of Xerox Corporation or Rank Xerox, Ltd., be reproduced, copied or used for any purpose whatsoever, except the manufacture of articles for Xerox Corporation or Rank Xerox, Ltd.

Title
**ALTO II
 ASSEMBLY, P.W.-
 DISK CONTROL**

Xerox Corporation El Segundo, California		XEROX
216389	E	
Sheet	8	Of



COMP. AND REG.

These drawings and specifications, and the data contained therein, are the exclusive property of Xerox Corporation and/or Rank Xerox, Ltd. issued in strict confidence and shall not, without the prior written permission of Xerox Corporation or Rank Xerox, Ltd., be reproduced, copied or used for any purpose whatsoever, except the manufacture of articles for Xerox Corporation or Rank Xerox, Ltd.

Title
ALTO II
ASSEMBLY P.W. -
DISK CONTROL

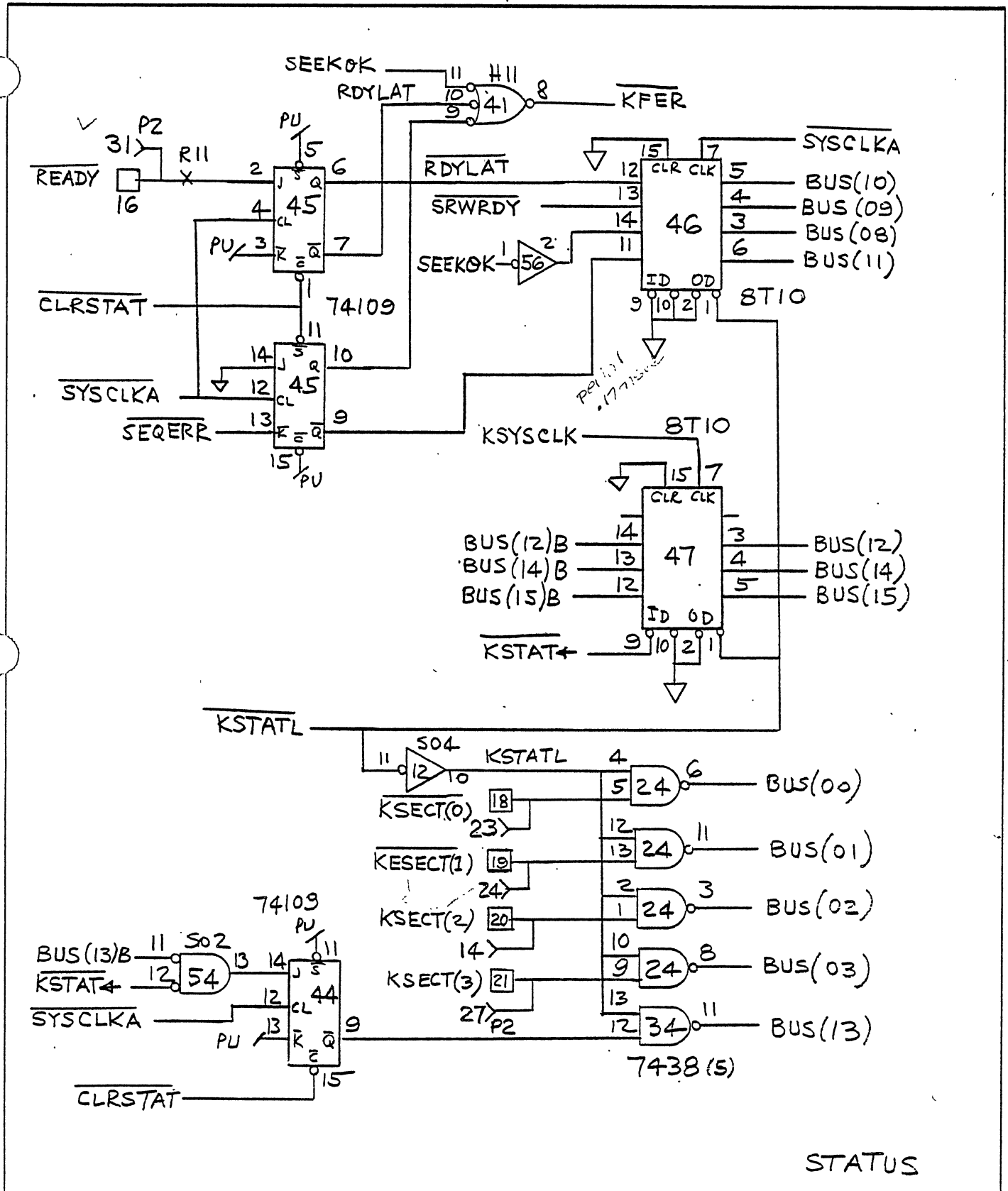
Xerox Corporation
El Segundo, California

XEROX

216389

E

Sheet 10 Of

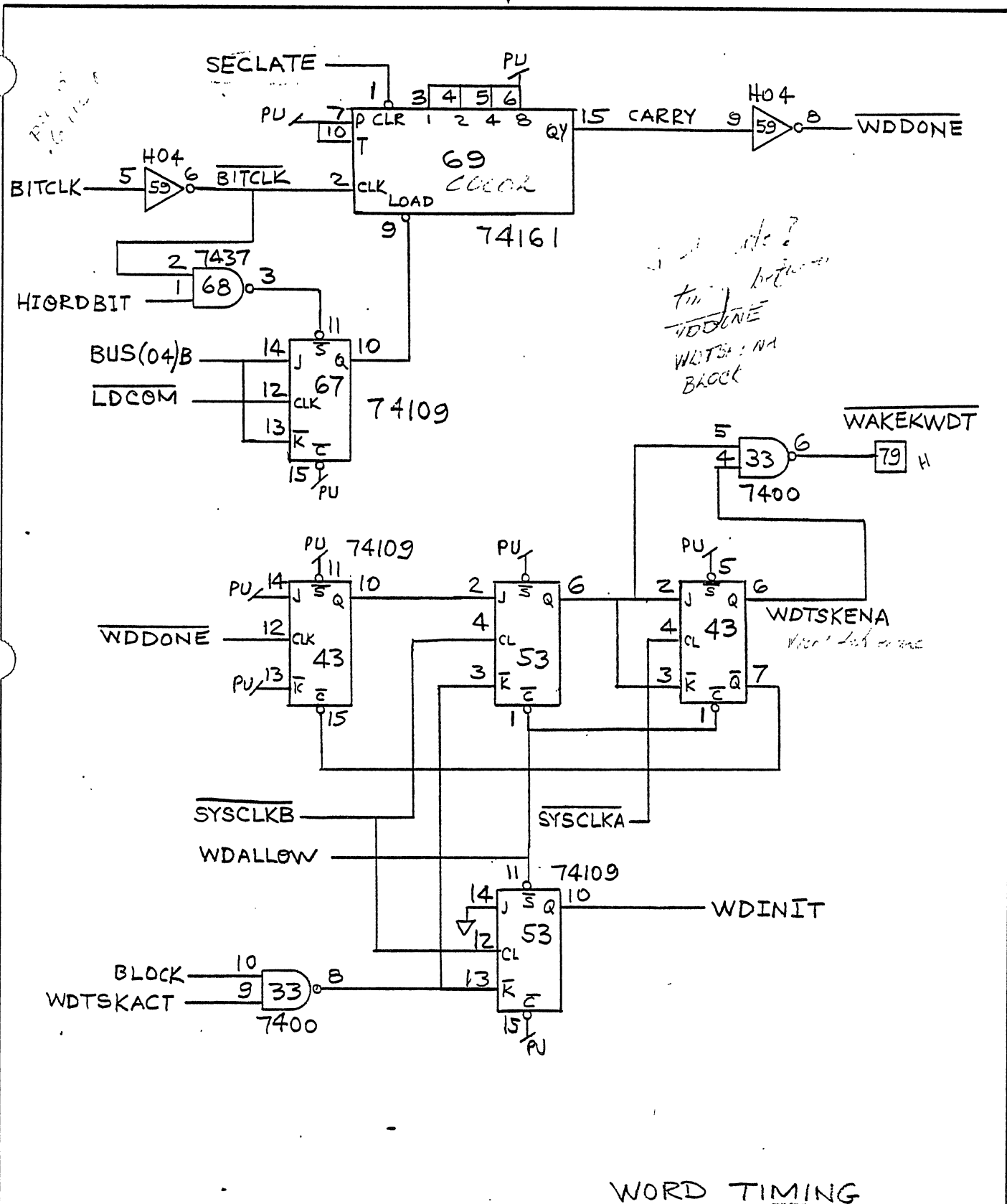


STATUS

These drawings and specifications, and the data contained therein, are the exclusive property of Xerox Corporation and/or Rank Xerox, Ltd. issued in strict confidence and shall not, without the prior written permission of Xerox Corporation or Rank Xerox, Ltd., be reproduced, copied or used for any purpose whatsoever, except the manufacture of articles for Xerox Corporation or Rank Xerox, Ltd.

Title
ALTO II
ASSEMBLY, P.W. -
DISK CONTROL

Xerox Corporation El Segundo, California		XEROX
216389	E	
Sheet		11 Of

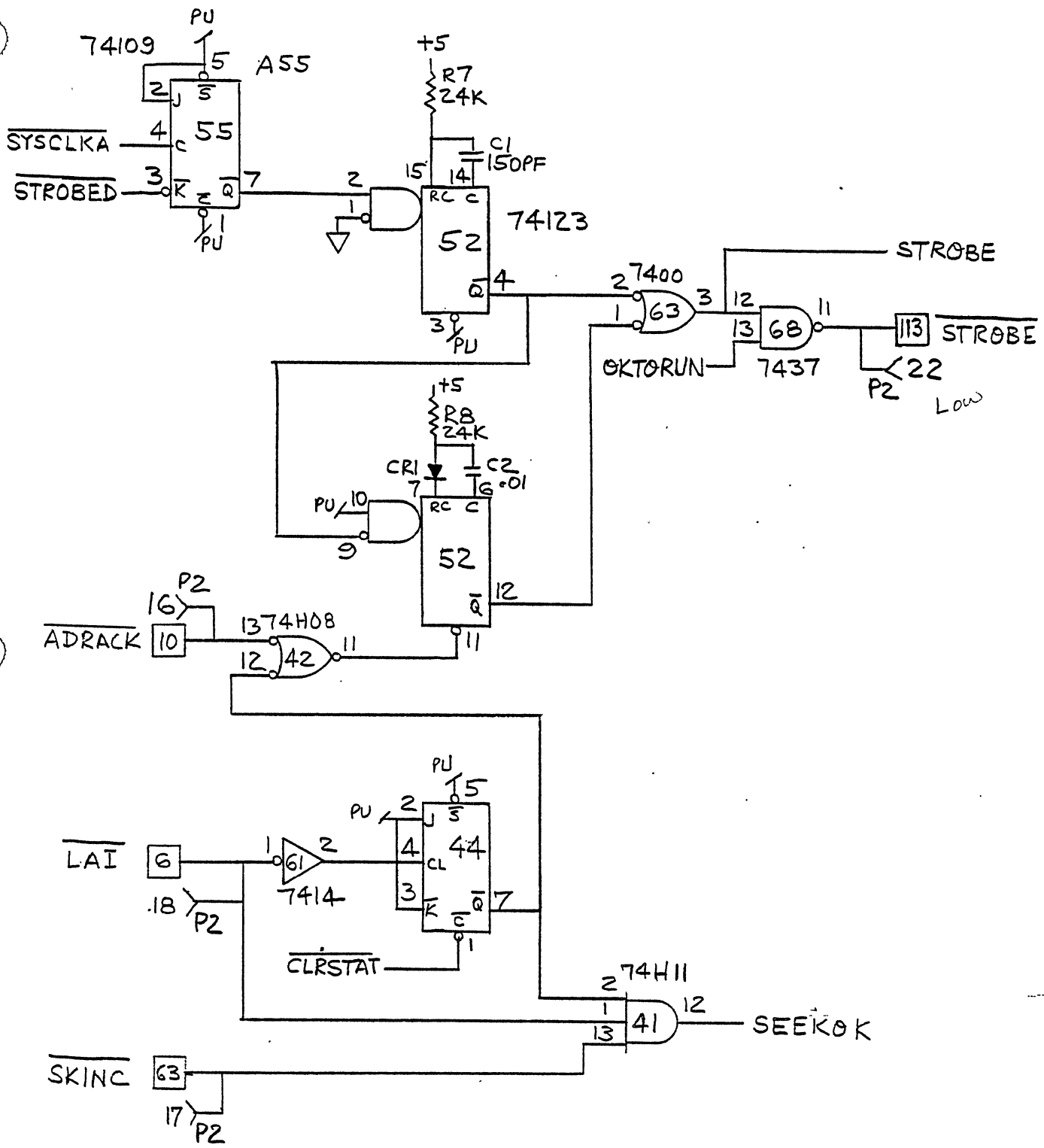


WORD TIMING

These drawings and specifications, and the data contained therein, are the exclusive property of Xerox Corporation and/or Rank Xerox, Ltd. issued in strict confidence and shall not, without the prior written permission of Xerox Corporation or Rank Xerox, Ltd., be reproduced, copied or used for any purpose whatsoever, except the manufacture of articles for Xerox Corporation or Rank Xerox, Ltd.

Title
**ALTO II
 ASSEMBLY, PW.-
 DISK CONTROL**

Xerox Corporation El Segundo, California		XEROX
216389	E	
Sheet	12	Of



STROBE, SEEK ERROR

These drawings and specifications, and the data contained therein, are the exclusive property of Xerox Corporation and/or Rank Xerox, Ltd. issued in strict confidence and shall not, without the prior written permission of Xerox Corporation or Rank Xerox, Ltd., be reproduced, copied or used for any purpose whatsoever, except the manufacture of articles for Xerox Corporation or Rank Xerox, Ltd.

Title
ALTO II
ASSEMBLY P.W.-
DISK CONTROL

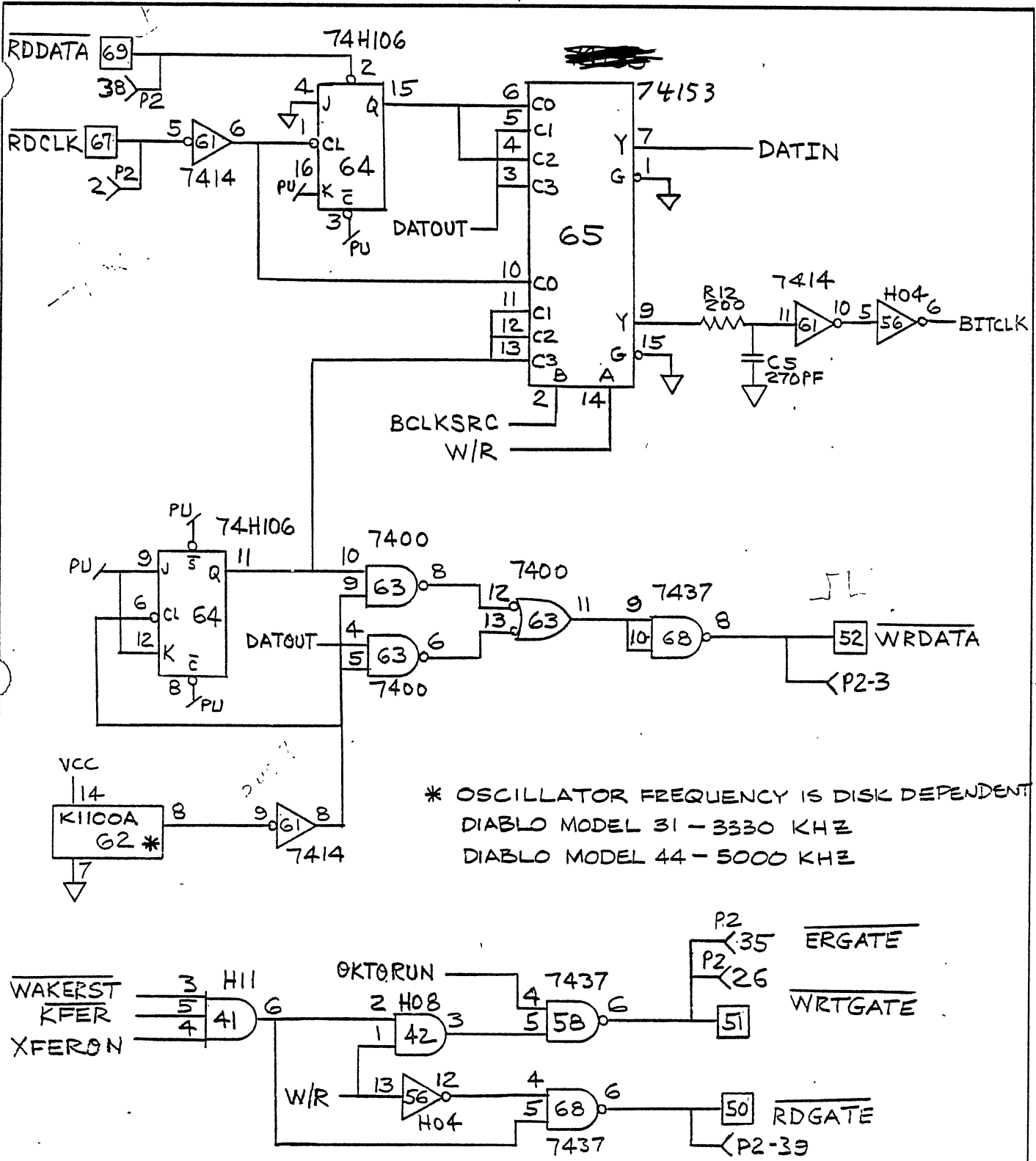
Xerox Corporation
 El Segundo, California

XEROX

216389

E

Sheet 13 Of



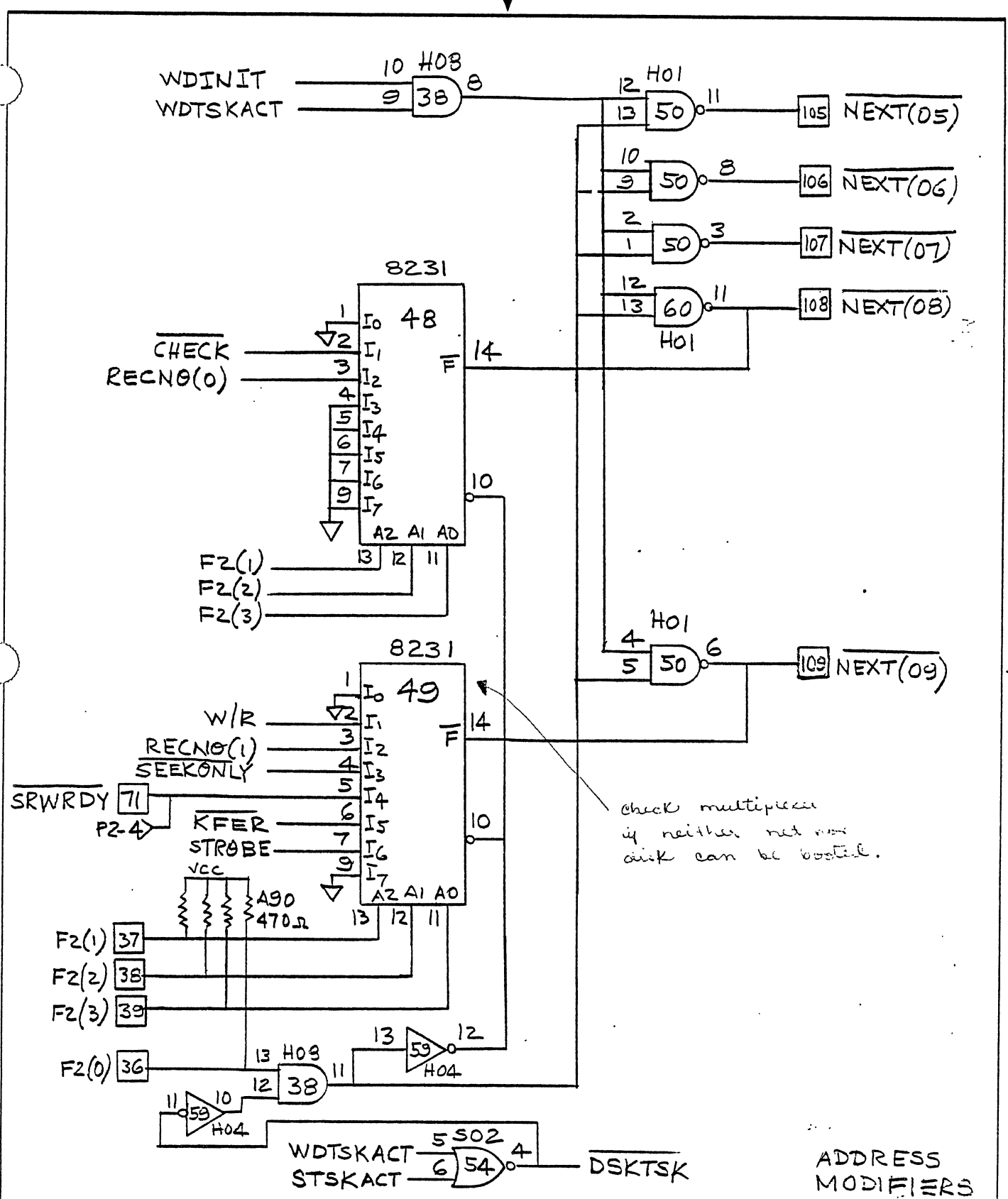
* OSCILLATOR FREQUENCY IS DISK DEPENDENT
 DIABLO MODEL 31 - 3330 KHZ
 DIABLO MODEL 44 - 5000 KHZ

DATA HANDLING

These drawings and specifications, and the data contained therein, are the exclusive property of Xerox Corporation and/or Rank Xerox, Ltd. issued in strict confidence and shall not, without the prior written permission of Xerox Corporation or Rank Xerox, Ltd., be reproduced, copied or used for any purpose whatsoever, except the manufacture of articles for Xerox Corporation or Rank Xerox, Ltd.

Title
 ALTO II
 ASSEMBLY, P.W.-
 DISK CONTROL

Xerox Corporation El Segundo, California		XEROX
216389	E	
Sheet	14	Of

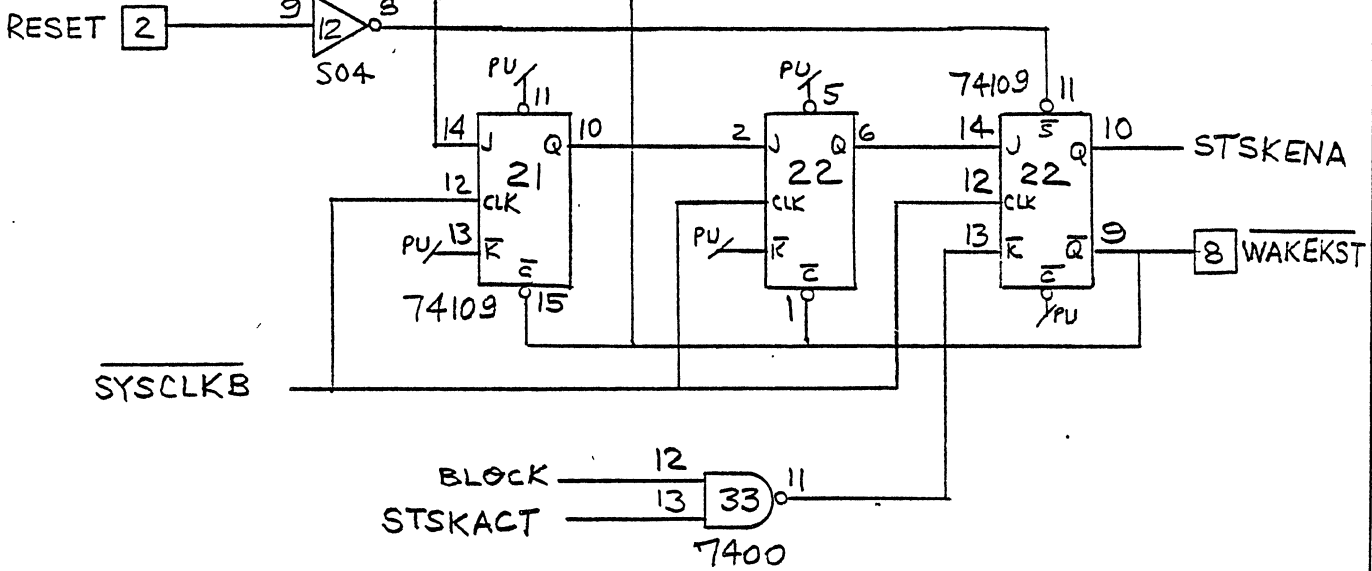
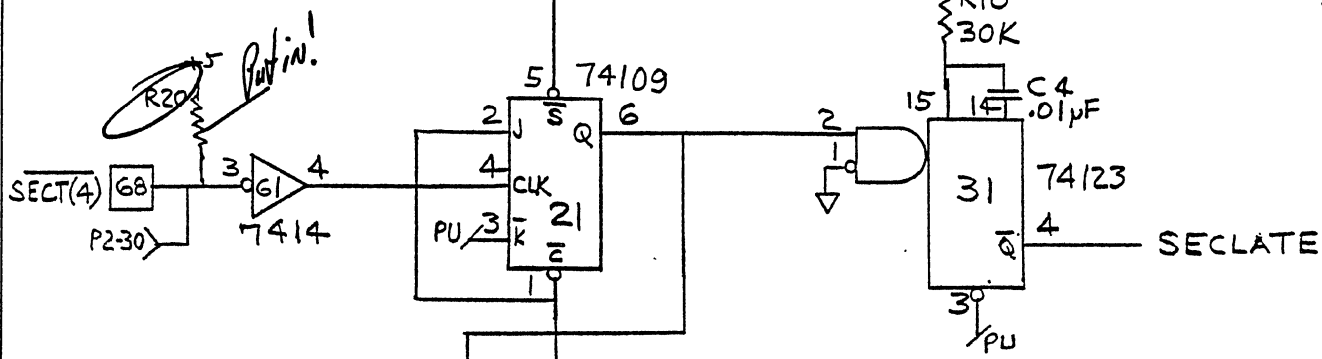
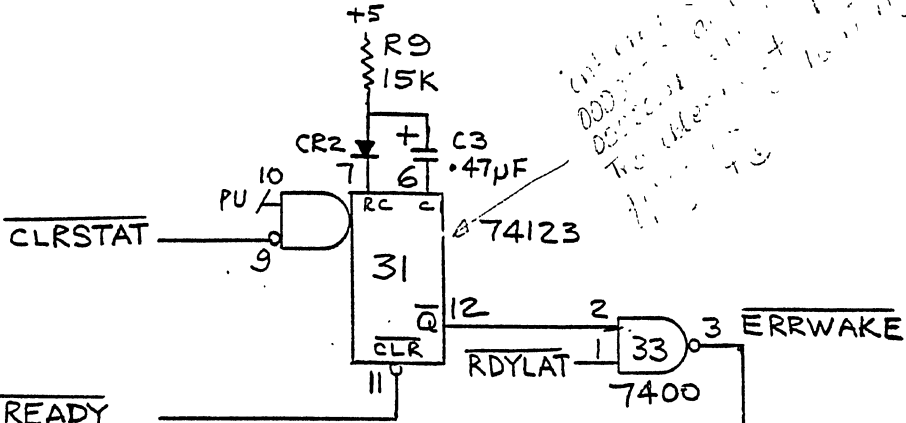


These drawings and specifications, and the data contained therein, are the exclusive property of Xerox Corporation and/or Rank Xerox, Ltd. issued in strict confidence and shall not, without the prior written permission of Xerox Corporation or Rank Xerox, Ltd., be reproduced, copied or used for any purpose whatsoever, except the manufacture of articles for Xerox Corporation or Rank Xerox, Ltd.

Title
ALTO II
ASSEMBLY P.W.-
DISK CONTROL

Xerox Corporation
El Segundo, California
XEROX
216389
- E
Sheet 15 of

One input of 74123
 0000
 00000000
 The difference
 between
 10000000
 and
 10000000

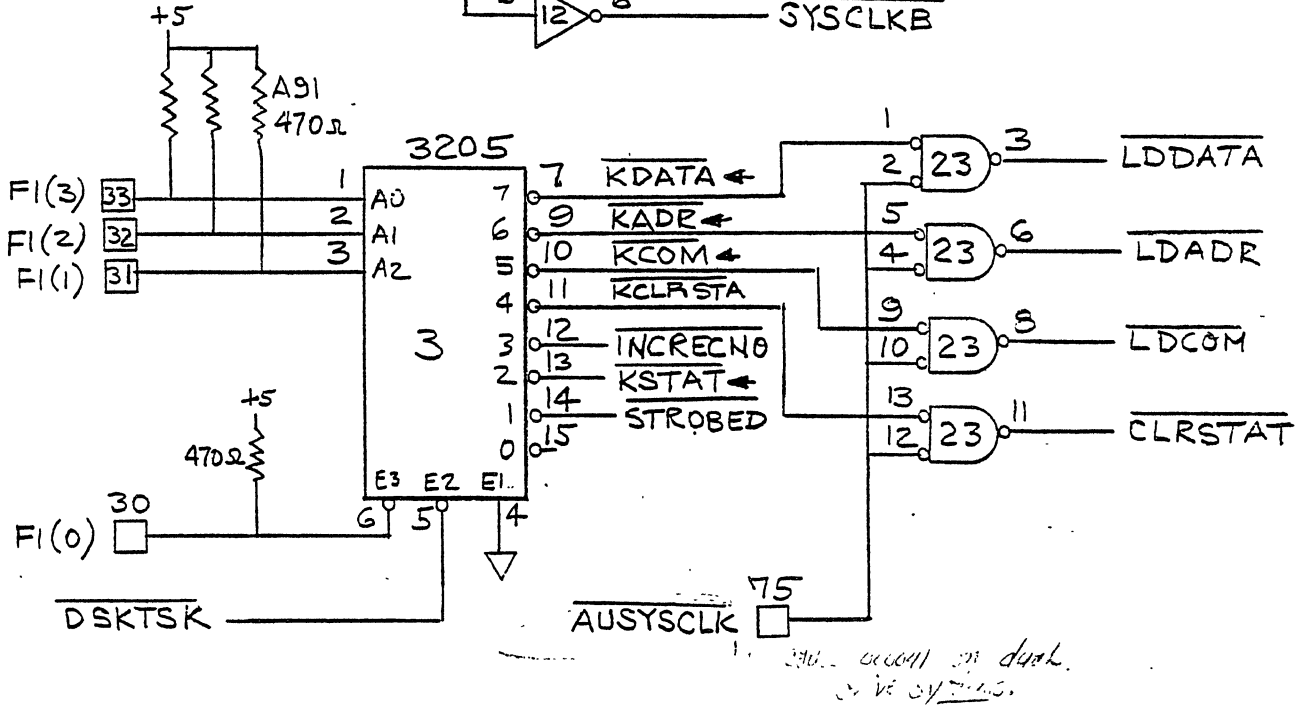
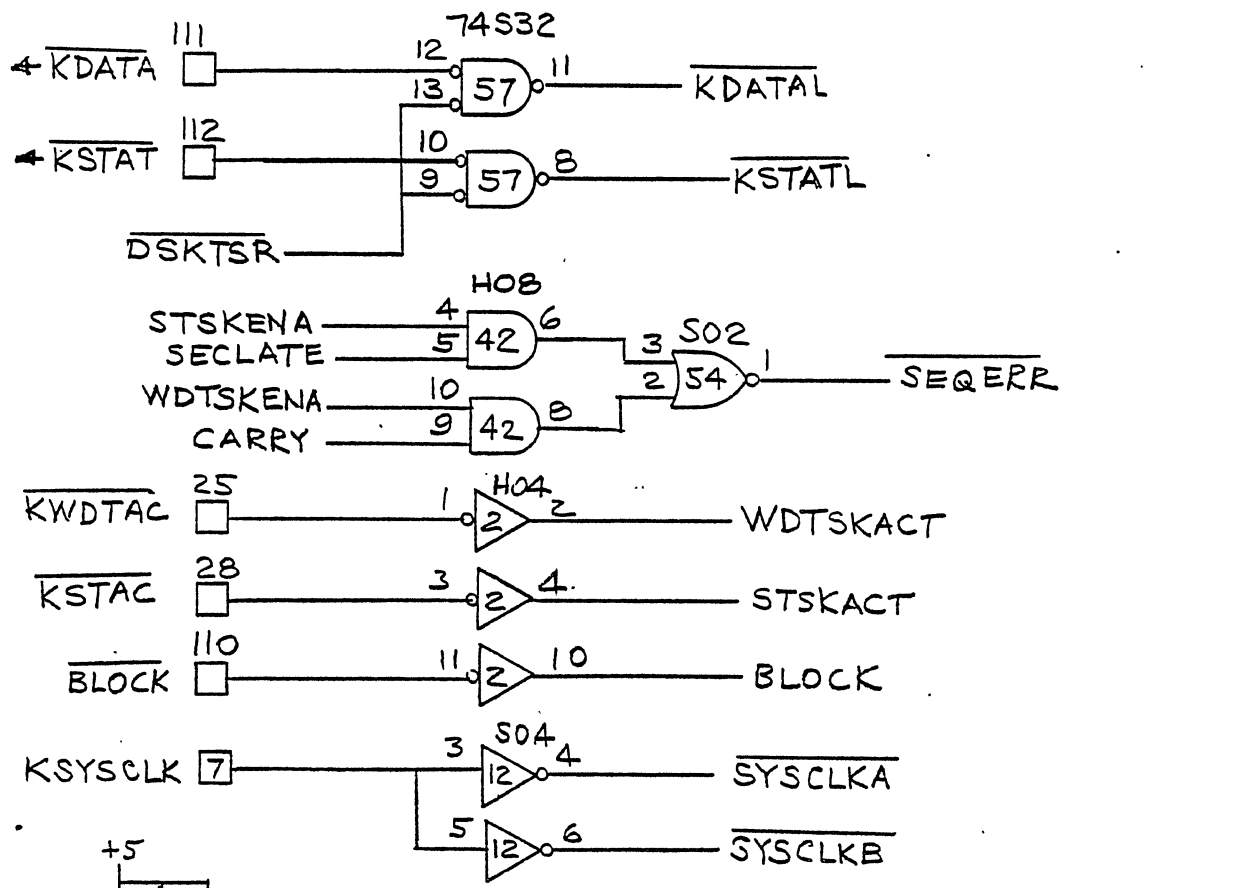


SECTOR, ERROR WAKEUPS

These drawings and specifications, and the data contained therein, are the exclusive property of Xerox Corporation and/or Rank Xerox, Ltd. issued in strict confidence and shall not, without the prior written permission of Xerox Corporation or Rank Xerox, Ltd., be reproduced, copied or used for any purpose whatsoever, except the manufacture of articles for Xerox Corporation or Rank Xerox, Ltd.

Title
 ALTO II
 ASSEMBLY, P.W. -
 DISK CONTROL

Xerox Corporation El Segundo, California		XEROX
216389	E	
Sheet	16	Of



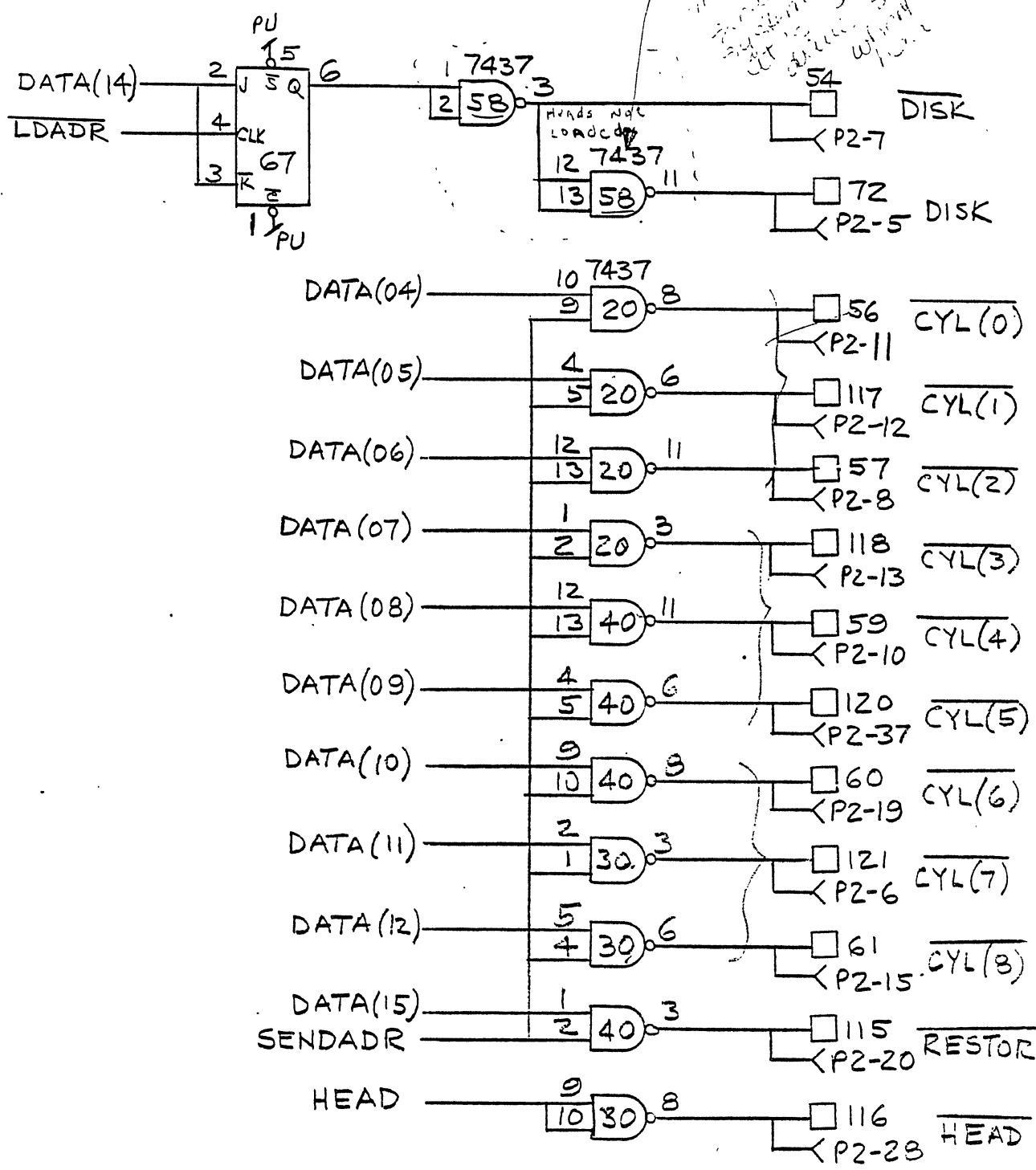
F DECODE, CLOCKS

These drawings and specifications, and the data contained therein, are the exclusive property of Xerox Corporation and/or Rank Xerox, Ltd. issued in strict confidence and shall not, without the prior written permission of Xerox Corporation or Rank Xerox, Ltd., be reproduced, copied or used for any purpose whatsoever, except the manufacture of articles for Xerox Corporation or Rank Xerox, Ltd.

Title
**ALTO II
 ASSEMBLY, P.W.-
 DISK CONTROL**

Xerox Corporation El Segundo, California		XEROX
216389		
Sheet	17	Of

Handwritten notes:
 11-13 = address
 11-13 = 2 3 4
 11-13 = 3 4 5
 11-13 = 4 5 6
 11-13 = 5 6 7
 11-13 = 6 7 8
 11-13 = 7 8 9
 11-13 = 8 9 10
 11-13 = 9 10 11
 11-13 = 10 11 12
 11-13 = 11 12 13
 11-13 = 12 13 14
 11-13 = 13 14 15



DISK ADDRESSING

These drawings and specifications, and the data contained therein, are the exclusive property of Xerox Corporation and/or Rank Xerox, Ltd. issued in strict confidence and shall not, without the prior written permission of Xerox Corporation or Rank Xerox, Ltd., be reproduced, copied or used for any purpose whatsoever, except the manufacture of articles for Xerox Corporation or Rank Xerox, Ltd.

Title
ALTO II
ASSEMBLY, P.W.-
DISK CONTROL

Xerox Corporation El Segundo, California		XEROX
216389	E	
Sheet	18	Of