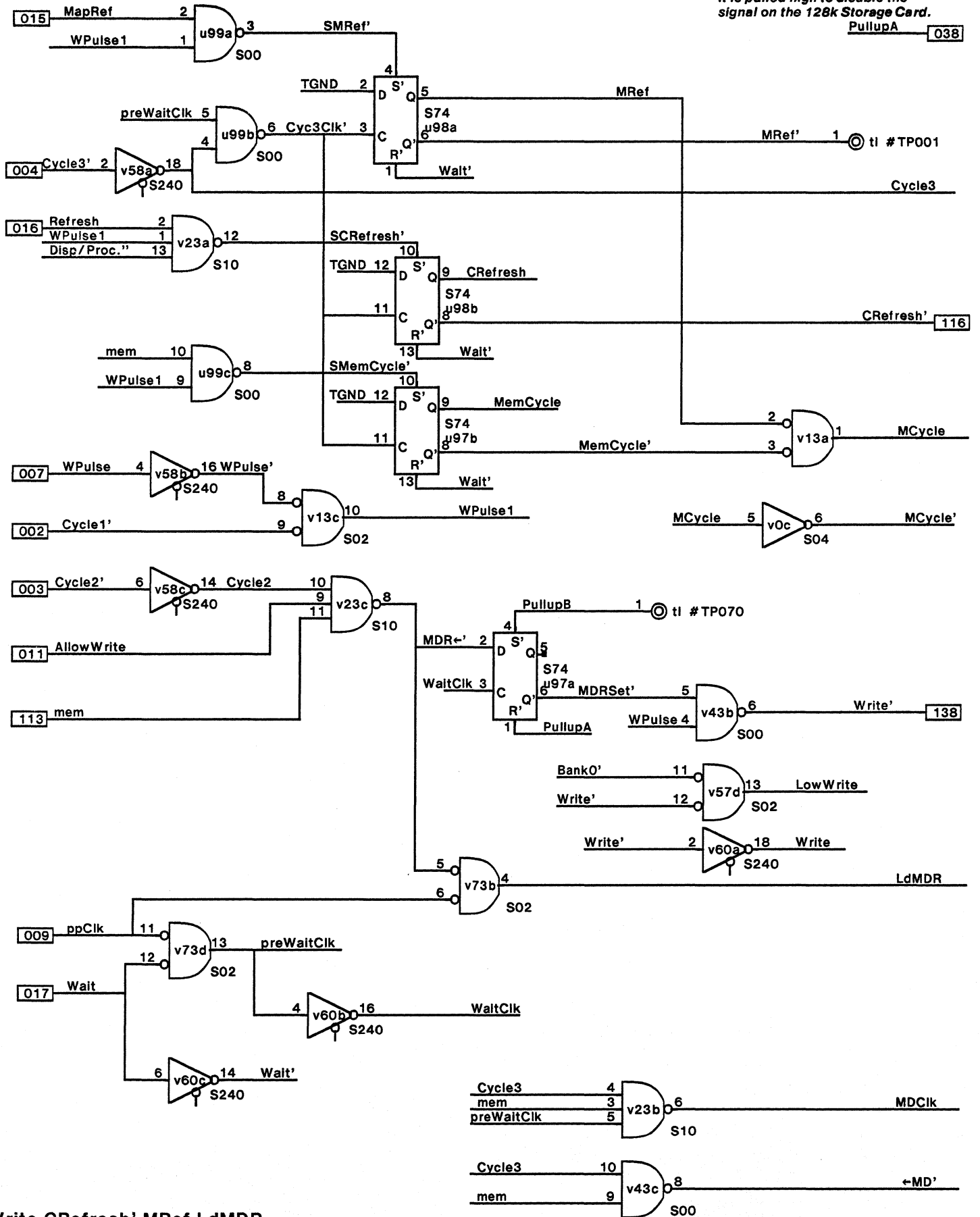
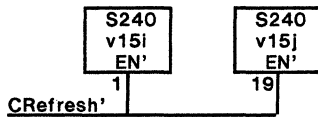
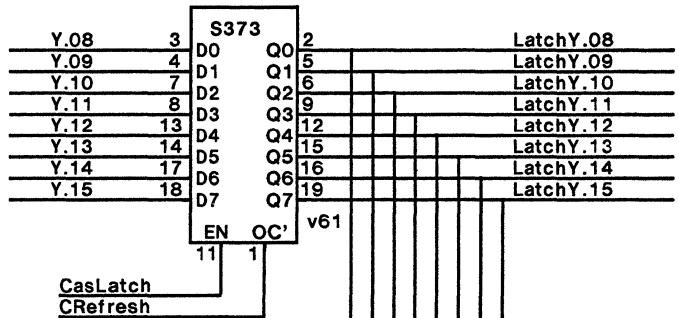
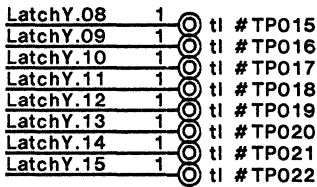
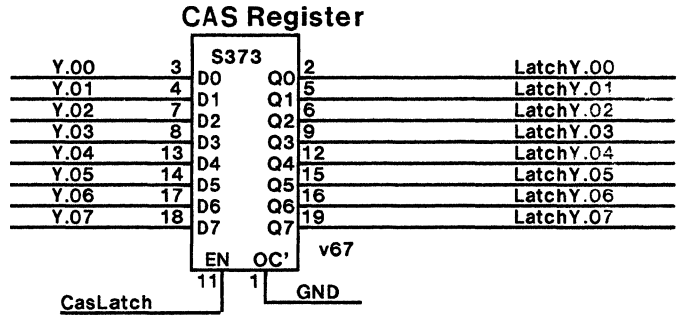
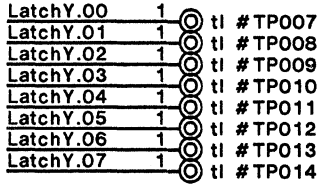
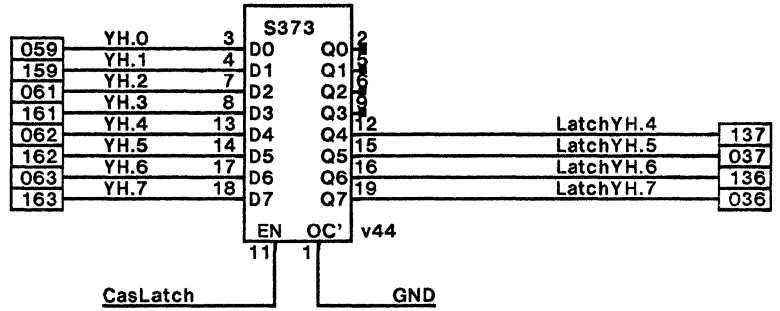
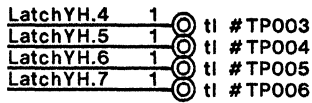


This is MRef' on the Backplane.
It is pulled high to disable the
signal on the 128k Storage Card.
PullupA 038

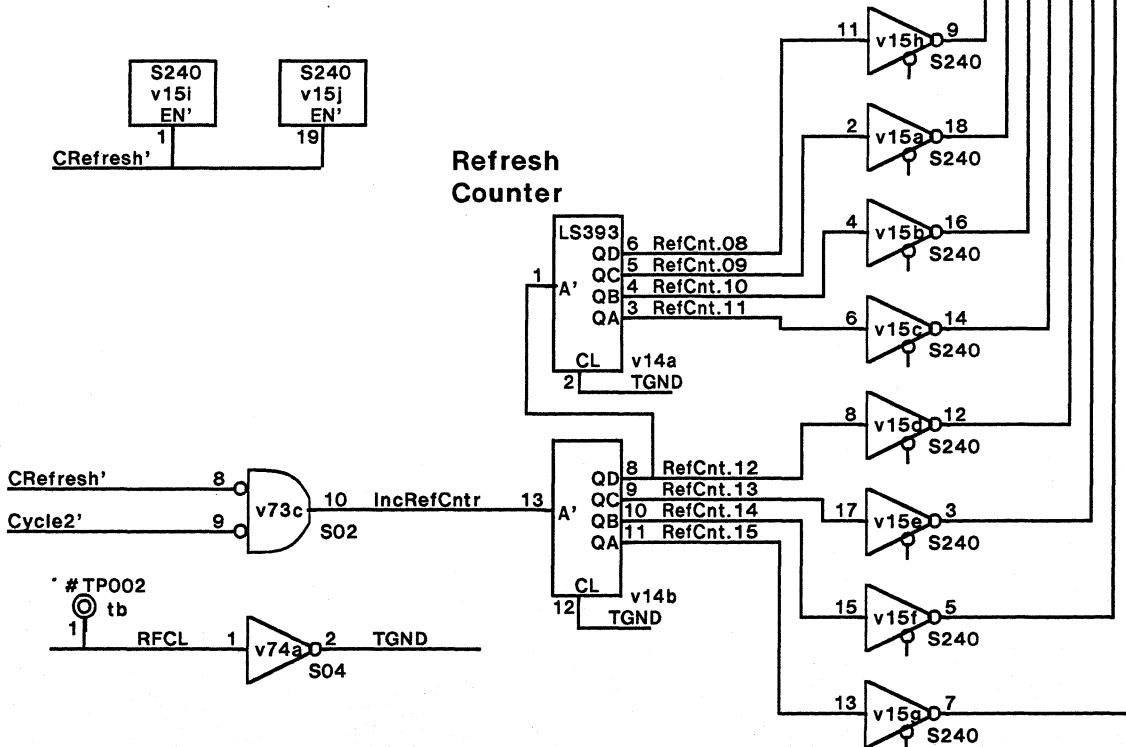


Write, CRefresh', MRef, LdMDR,
CycleRcv. MDCIk, ←MD'

XEROX	PROPRIETARY NOTE ON COVER SHEET APPLIES TO ALL SHEETS		DWG SIZE A4	DWG NO. 156P11940		SHEET REV. A
	TITLE SCHEMATIC, MCC-X			SHEET 1 OF		

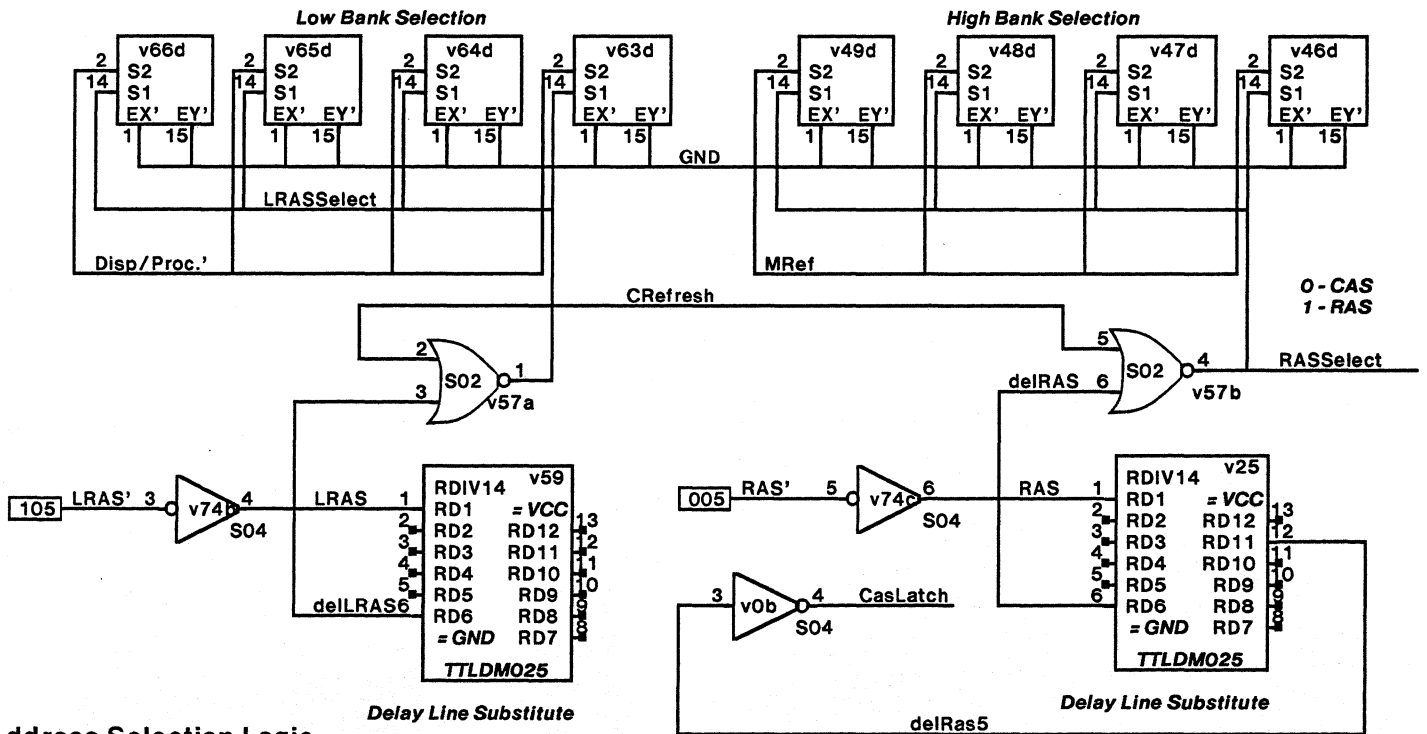
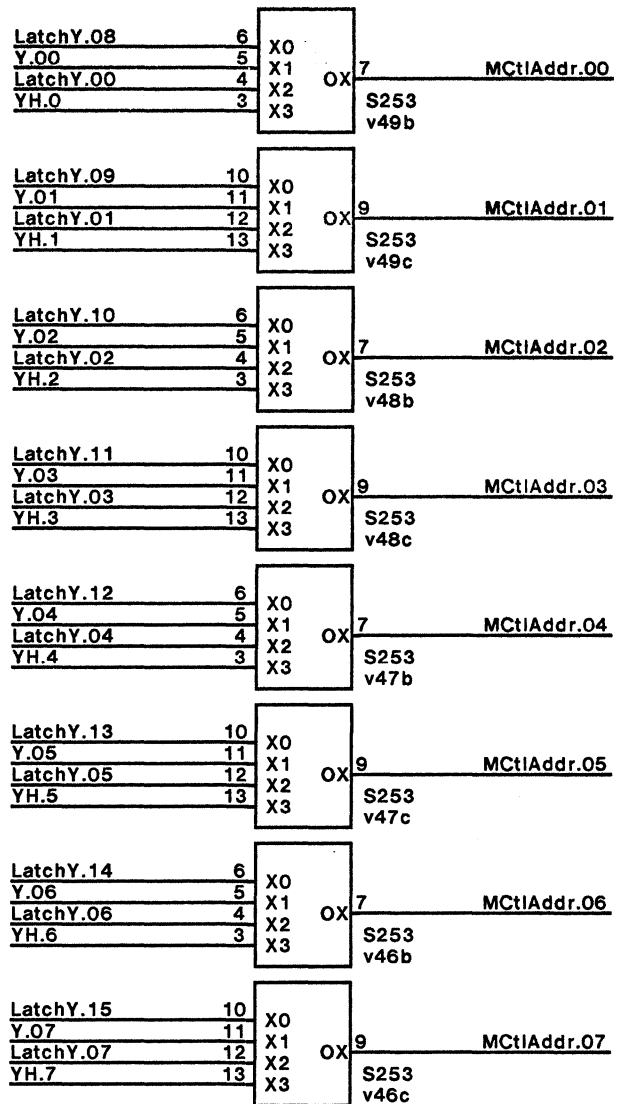
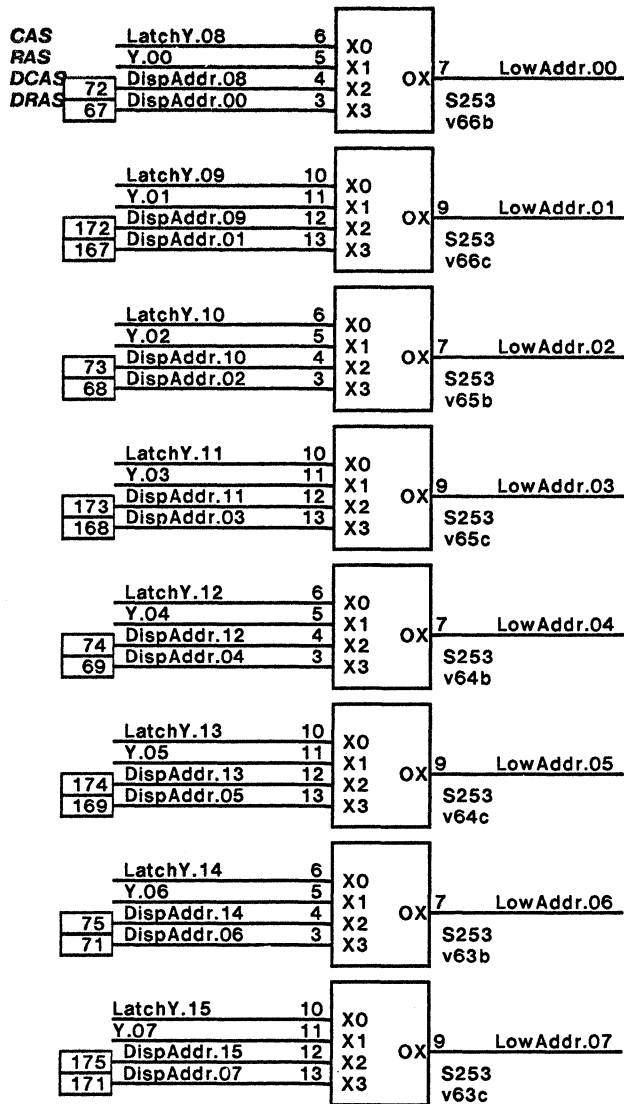


Refresh Counter



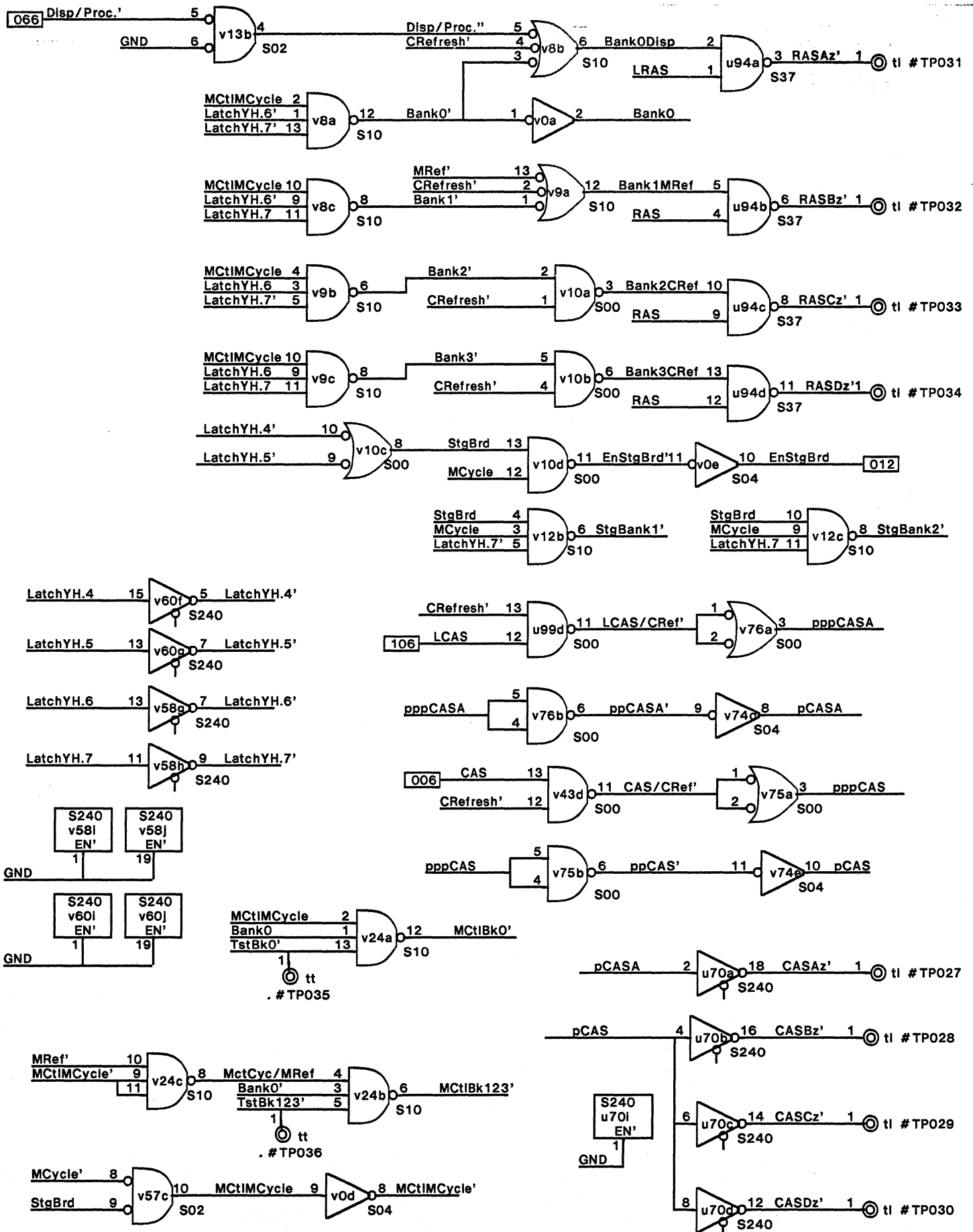
Refresh Counter & CAS Registers

XEROX	PROPRIETARY NOTE ON COVER SHEET APPLIES TO ALL SHEETS	DWG SIZE A4	DWG NO. 156P11940		SHEET REV. A
	TITLE SCHEMATIC, MCC-X		SHEET 2 OF		



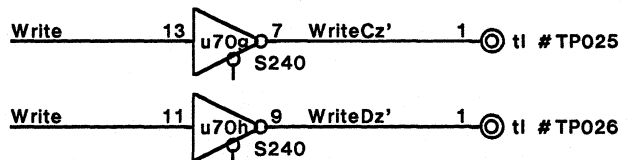
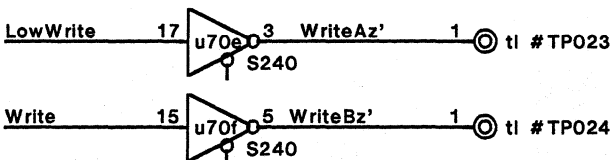
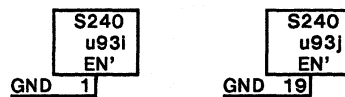
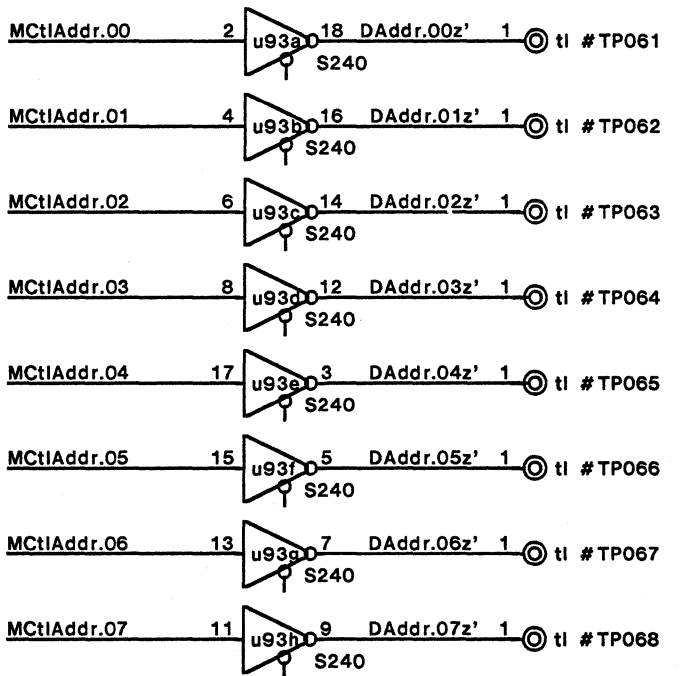
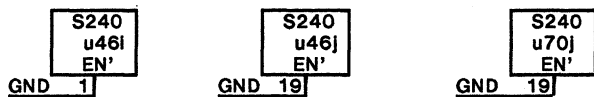
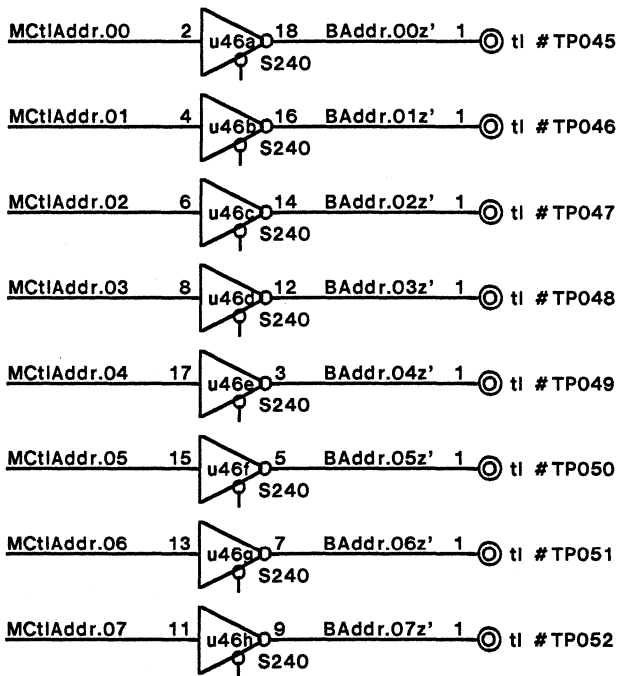
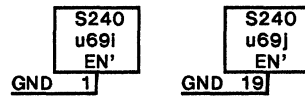
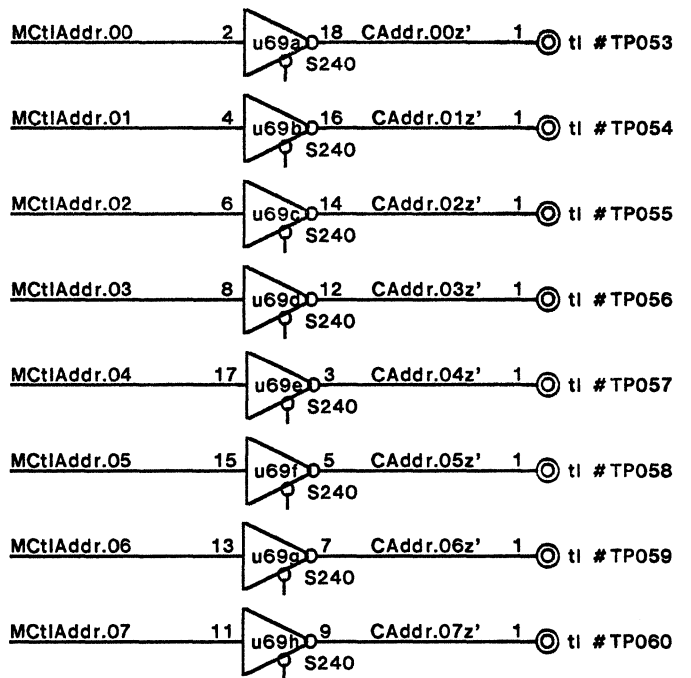
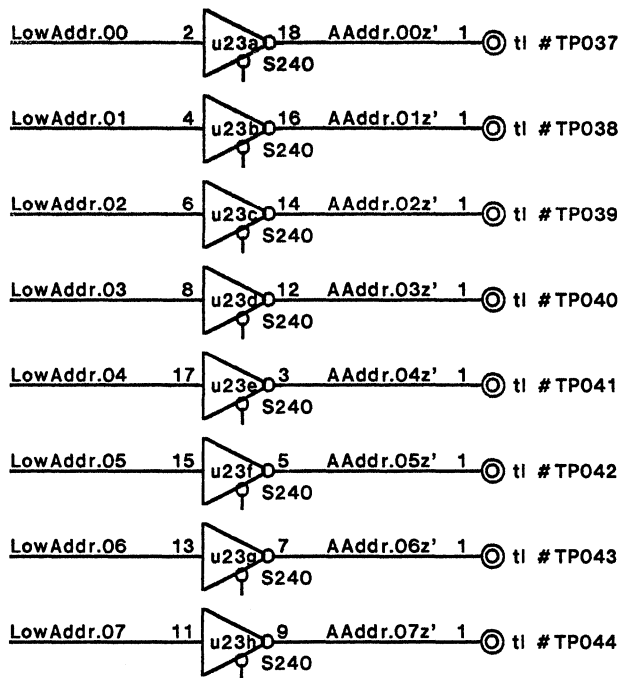
**Address Selection Logic
RASDIY & LRASDIY**

XEROX	PROPRIETARY NOTE ON COVER SHEET APPLIES TO ALL SHEETS	DWG SIZE	DWG NO. 156P11940	SHEET REV.
	TITLE SCHEMATIC, MCC-X	A4	SHEET 3 OF	A



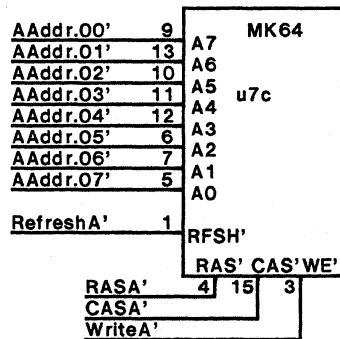
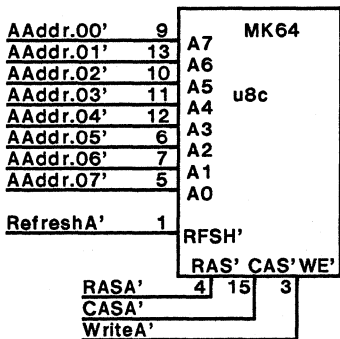
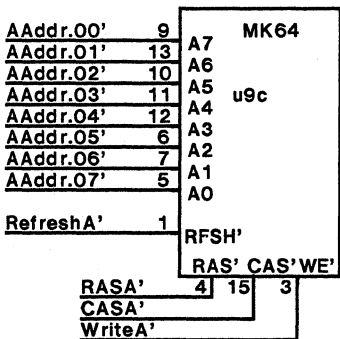
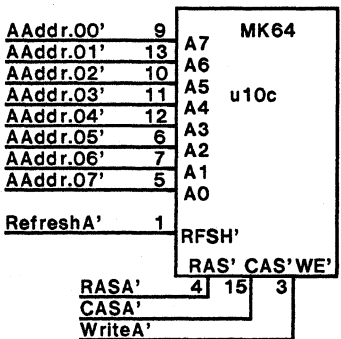
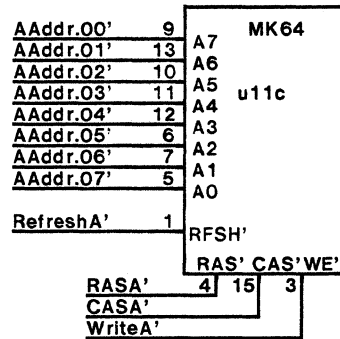
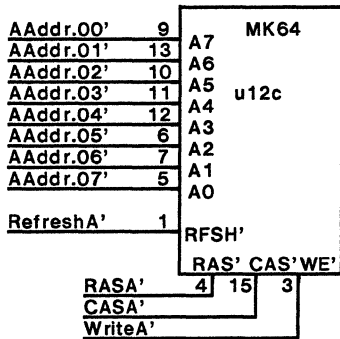
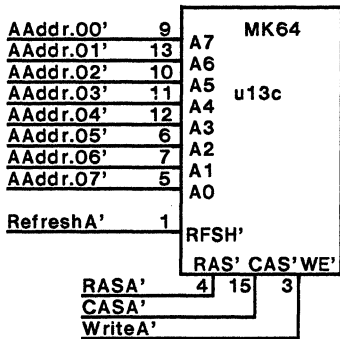
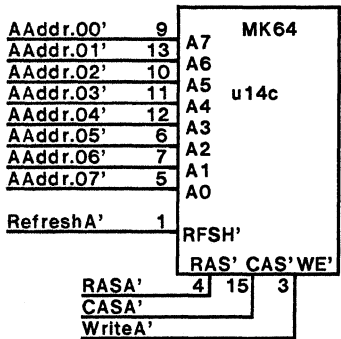
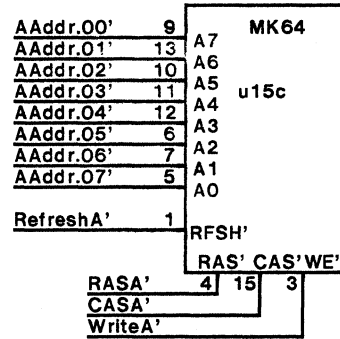
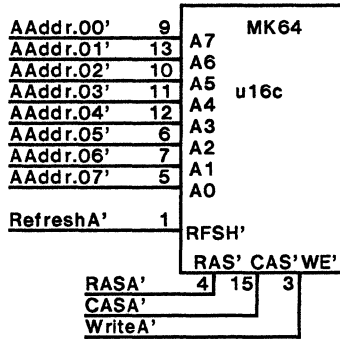
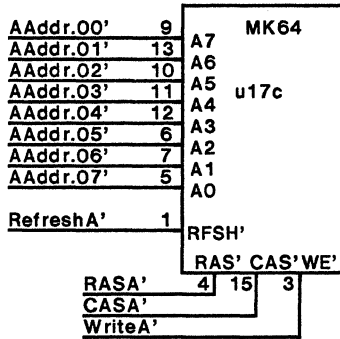
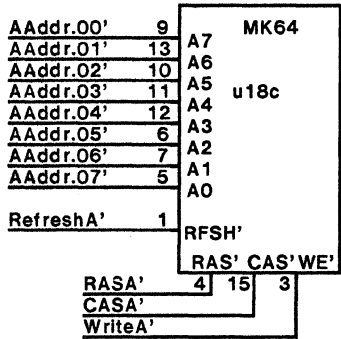
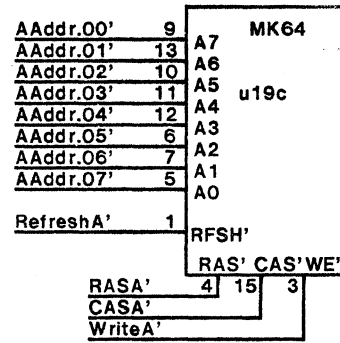
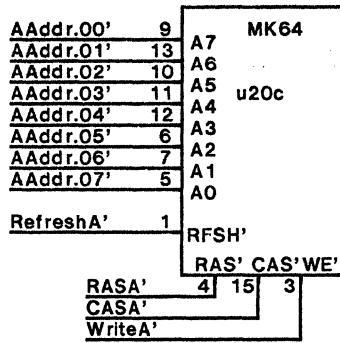
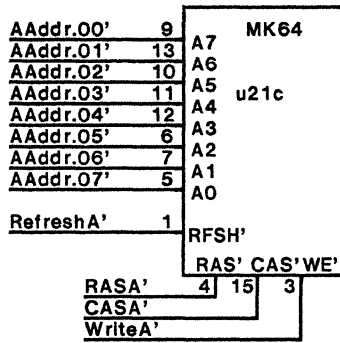
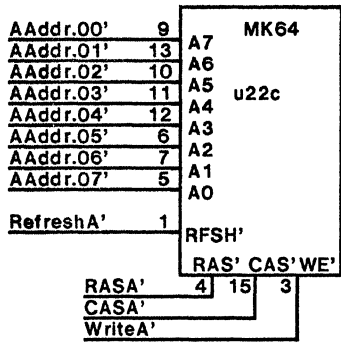
Memory Bank Selection

XEROX	PROPRIETARY NOTE ON COVER SHEET APPLIES TO ALL SHEETS	DWG SIZE	DWG NO. 156P11940	SHEET REV.
	TITLE SCHEMATIC, MCC-X	A4	SHEET 4 OF	A



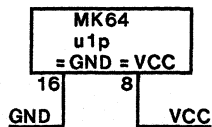
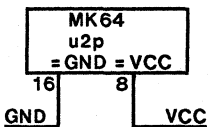
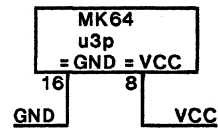
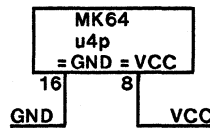
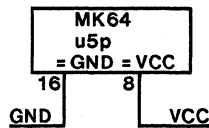
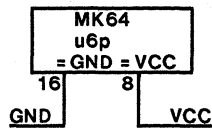
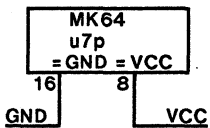
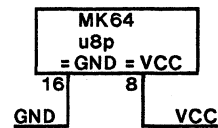
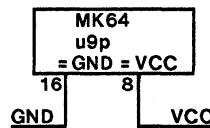
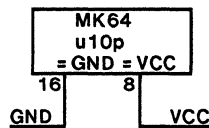
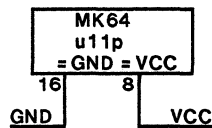
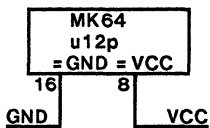
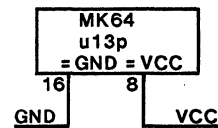
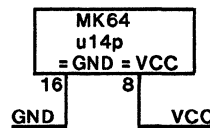
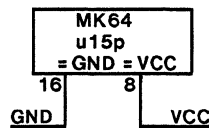
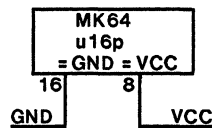
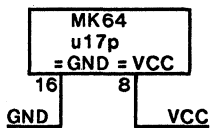
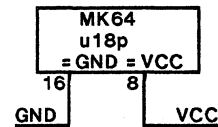
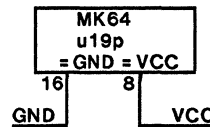
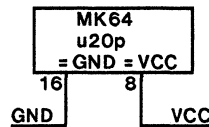
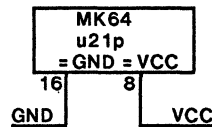
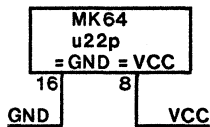
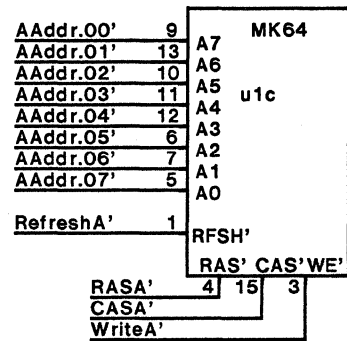
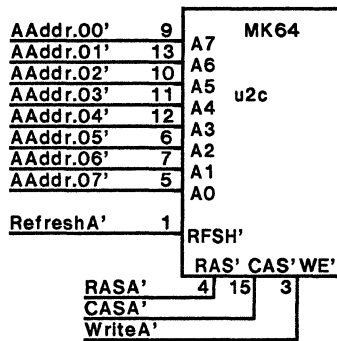
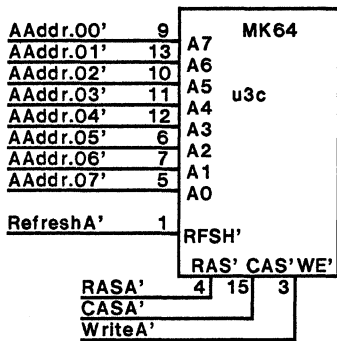
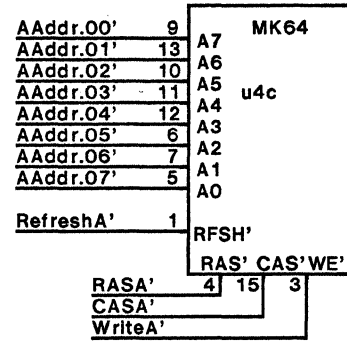
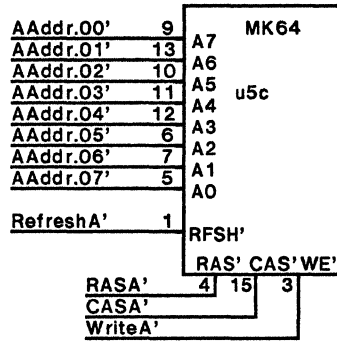
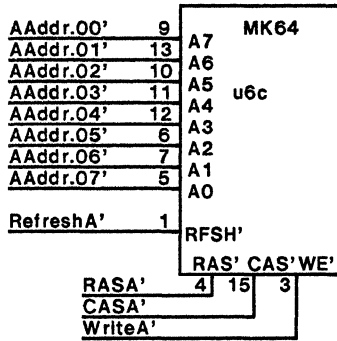
Low 64K Bank Drivers for Address, CAS', & Write'

XEROX	PROPRIETARY NOTE ON COVER SHEET APPLIES TO ALL SHEETS	DWG SIZE	DWG NO. 156P11940	SHEET REV.
	TITLE SCHEMATIC, MCC-X	A4	SHEET 5 OF	A



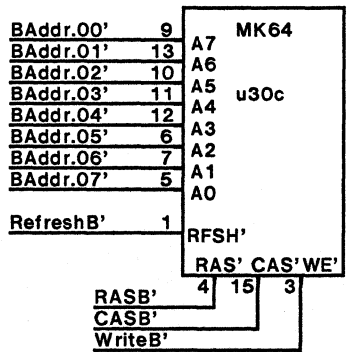
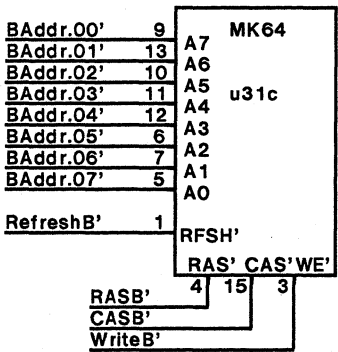
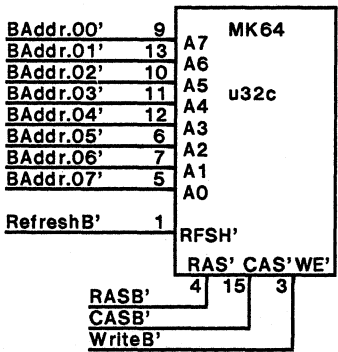
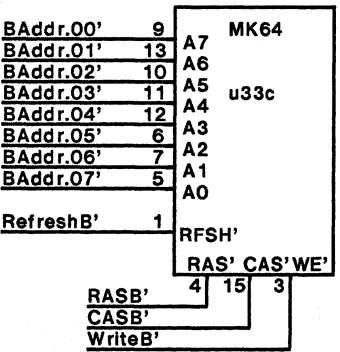
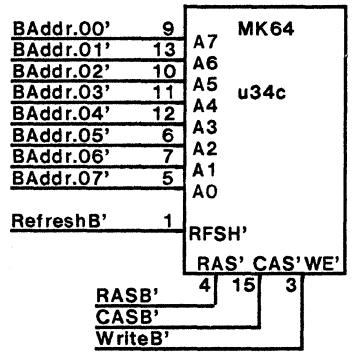
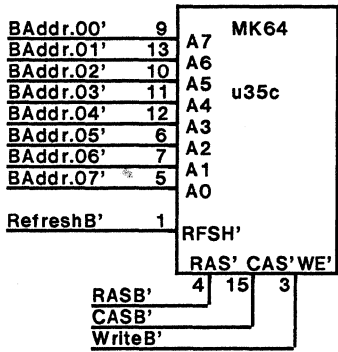
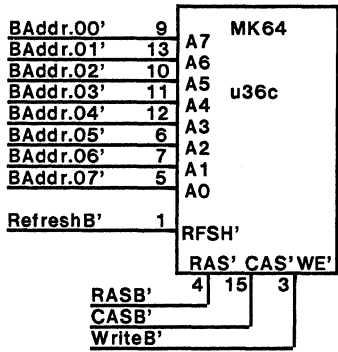
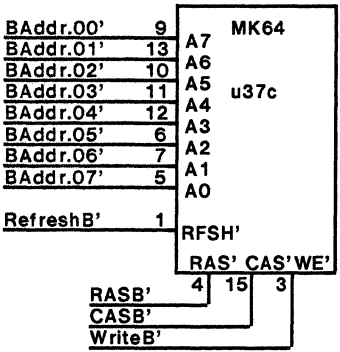
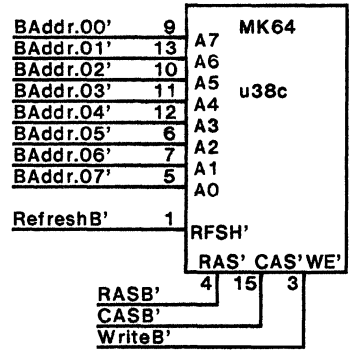
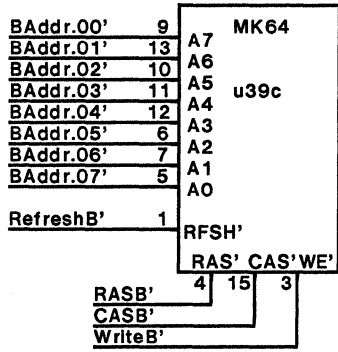
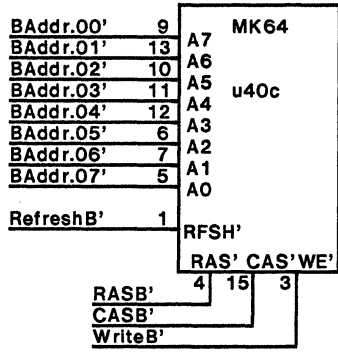
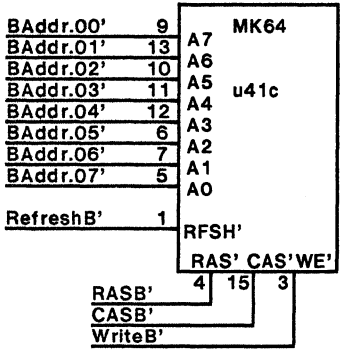
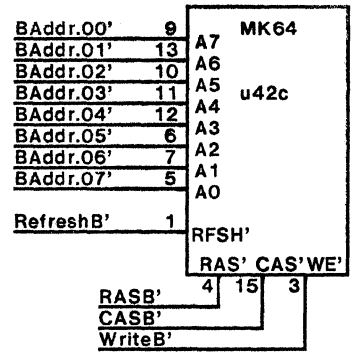
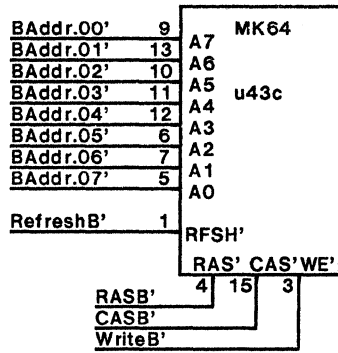
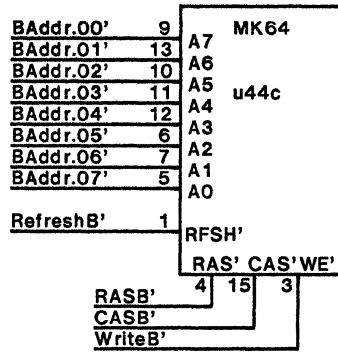
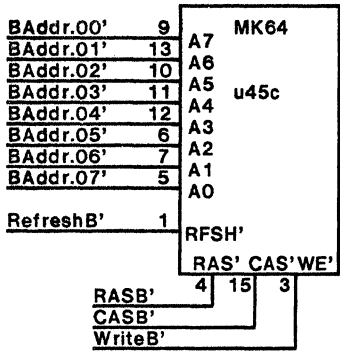
Address, RAS, CAS, Write Display Bank

XEROX	PROPRIETARY NOTE ON COVER SHEET APPLIES TO ALL SHEETS	DWG SIZE A4	DWG NO. 156P11940	SHEET REV. A
	TITLE SCHEMATIC, MCC-X		SHEET 6 OF	



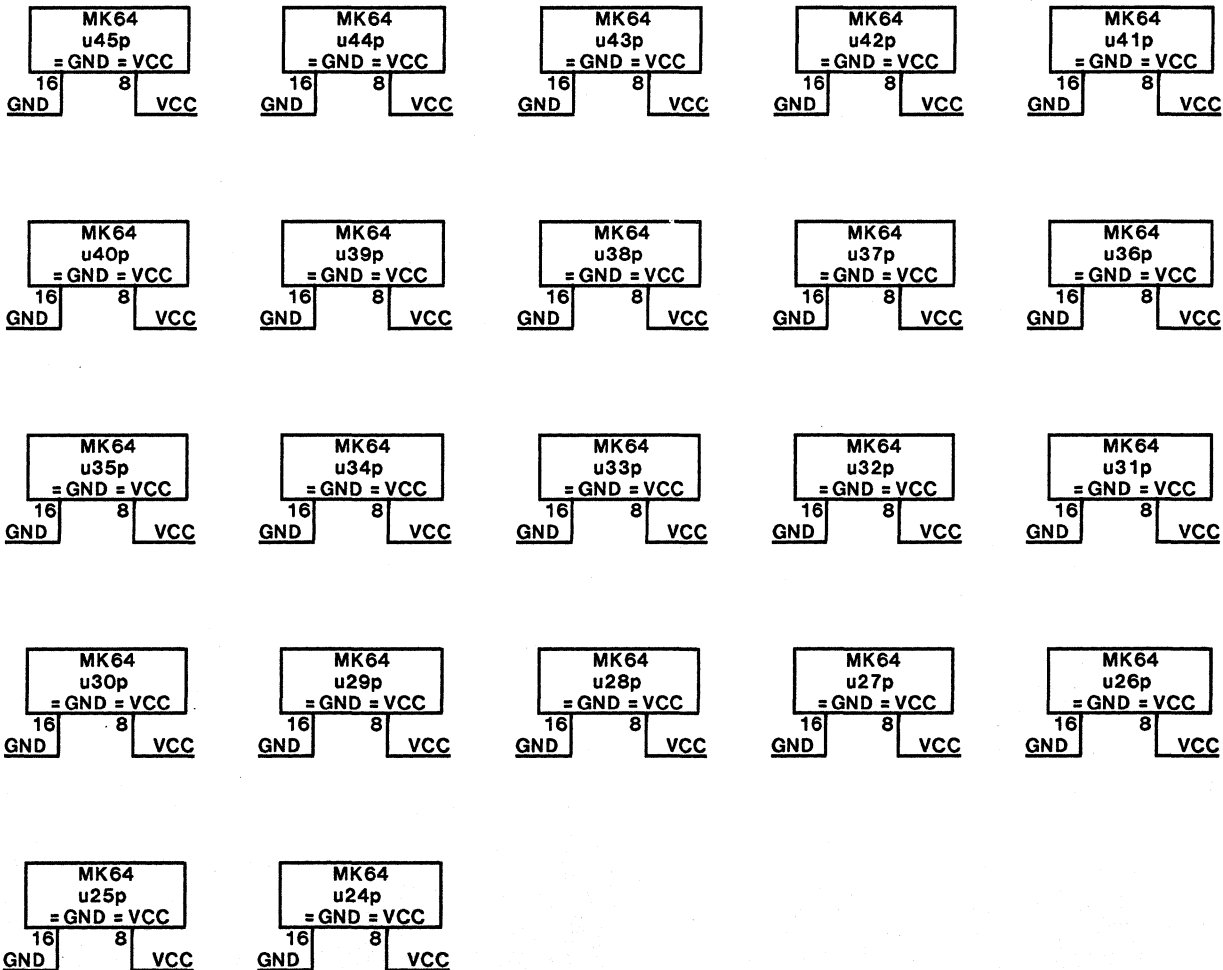
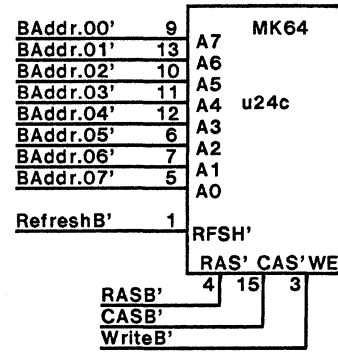
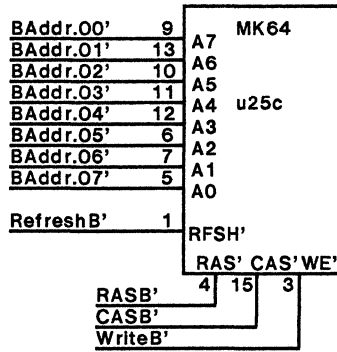
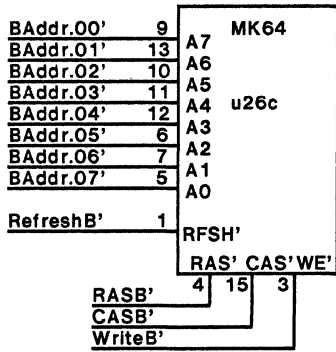
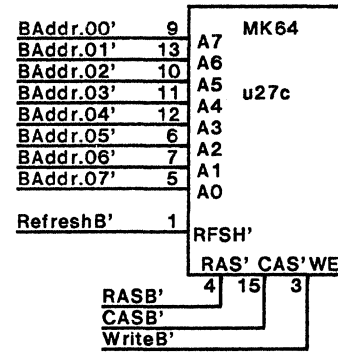
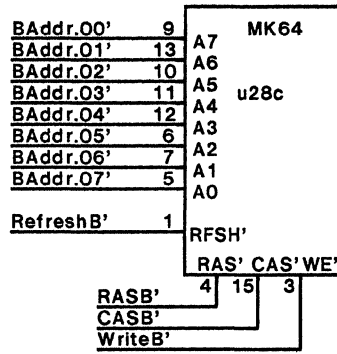
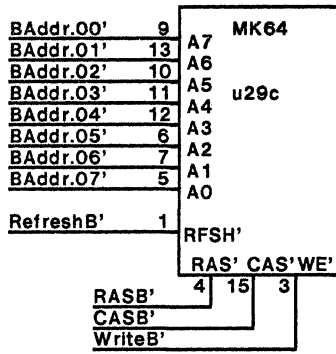
Address,RAS,CAS,Write Display Bank

XEROX	PROPRIETARY NOTE ON COVER SHEET APPLIES TO ALL SHEETS	DWG SIZE A4	DWG NO. 156P11940	SHEET REV. A
	TITLE SCHEMATIC, MCC-X		SHEET 7 OF	



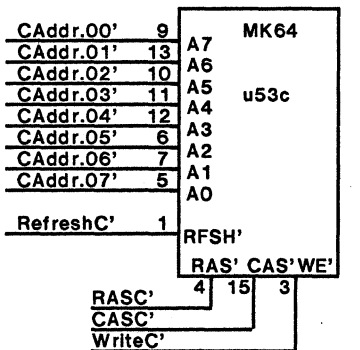
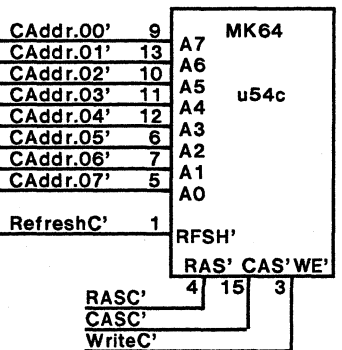
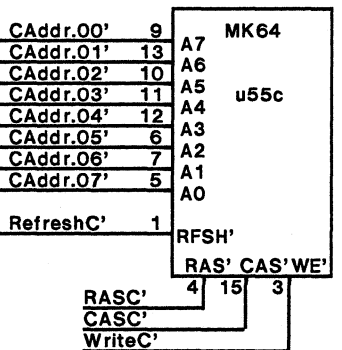
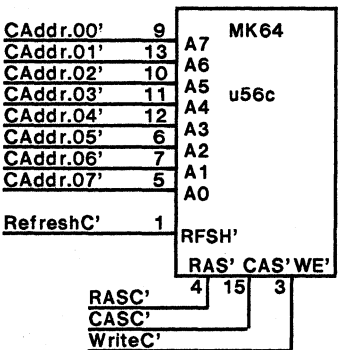
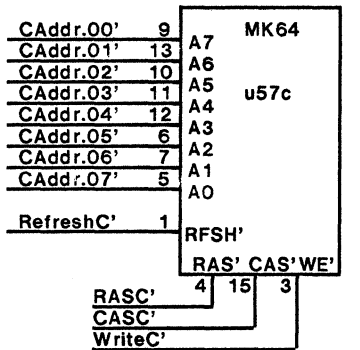
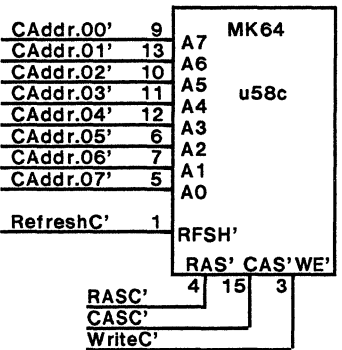
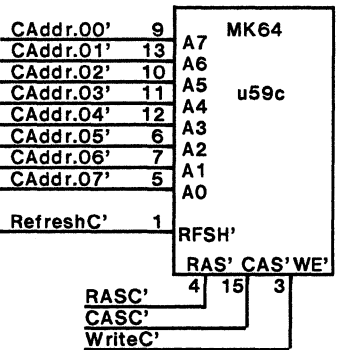
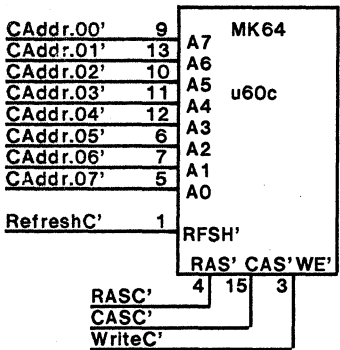
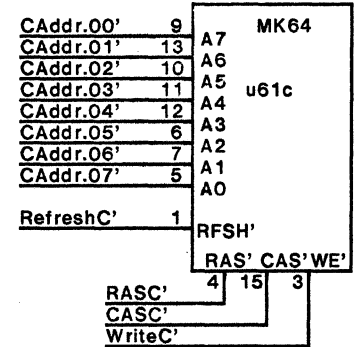
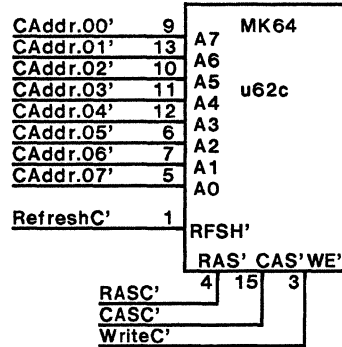
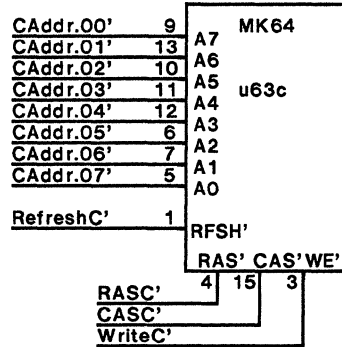
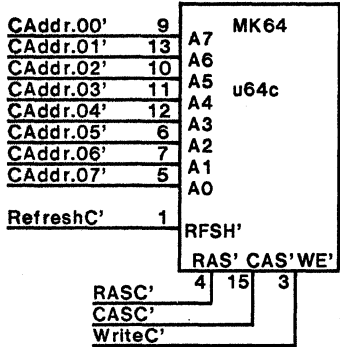
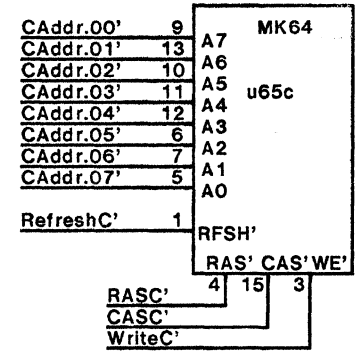
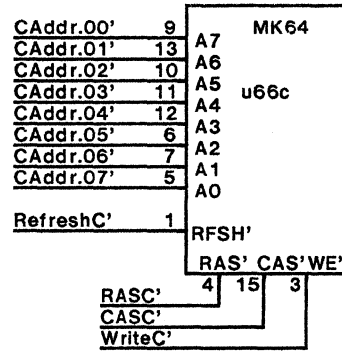
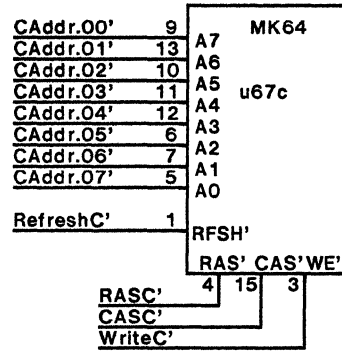
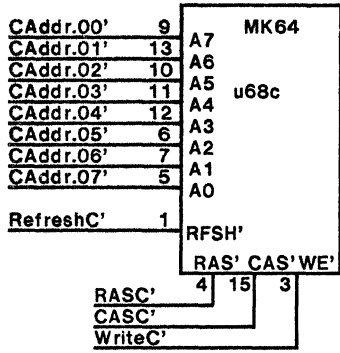
Mem. Control/ Low Bank B

XEROX	PROPRIETARY NOTE ON COVER SHEET APPLIES TO ALL SHEETS		DWG SIZE A4	DWG NO. 156P11940		SHEET REV. A
	TITLE SCHEMATIC, MCC-X			SHEET 8 OF		



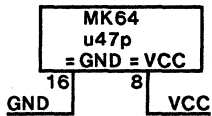
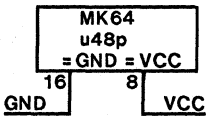
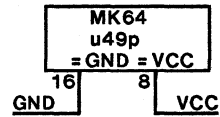
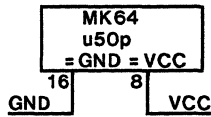
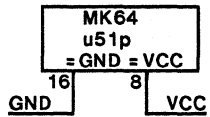
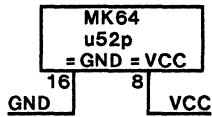
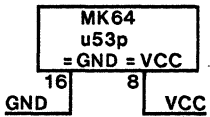
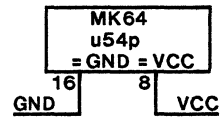
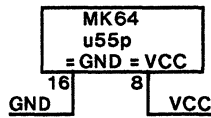
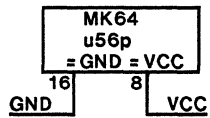
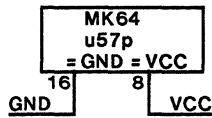
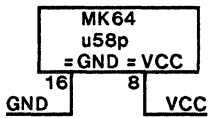
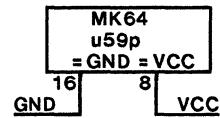
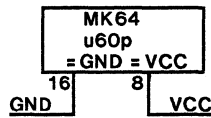
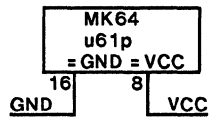
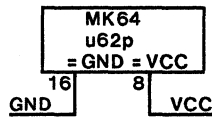
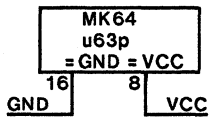
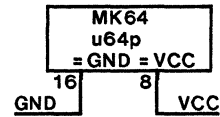
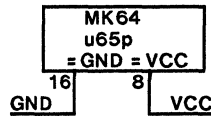
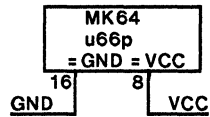
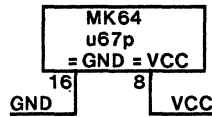
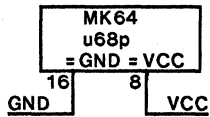
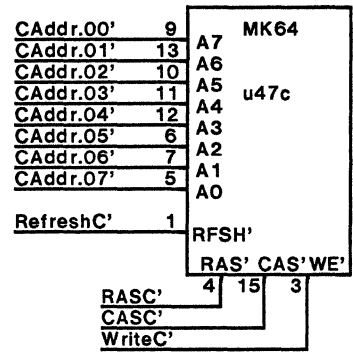
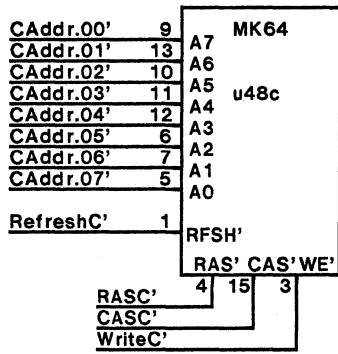
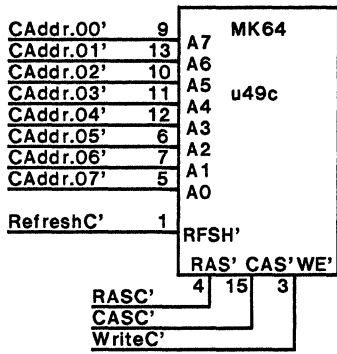
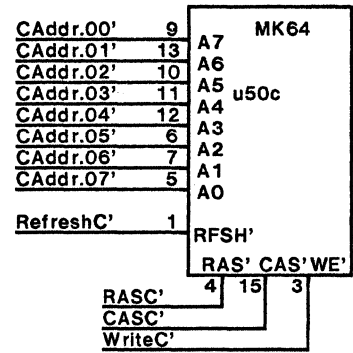
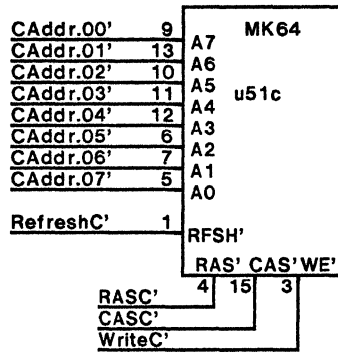
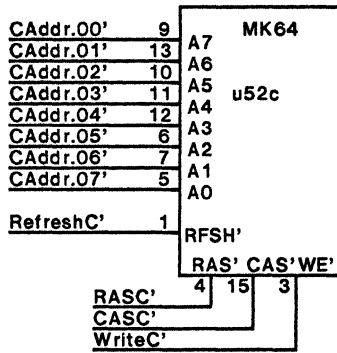
Mem. Control/ Low Bank B

XEROX	PROPRIETARY NOTE ON COVER SHEET APPLIES TO ALL SHEETS		DWG SIZE	DWG NO. 156P11940	SHEET REV. A
	TITLE SCHEMATIC, MCC-X		A4	SHEET 9 OF	



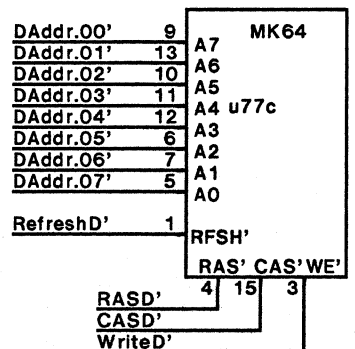
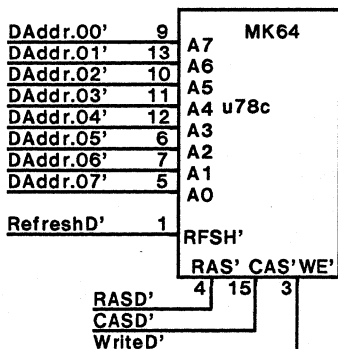
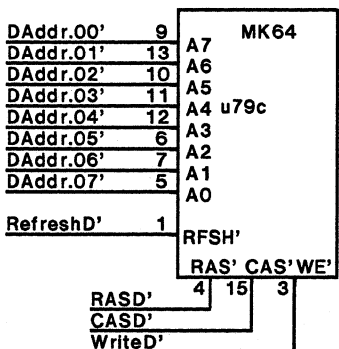
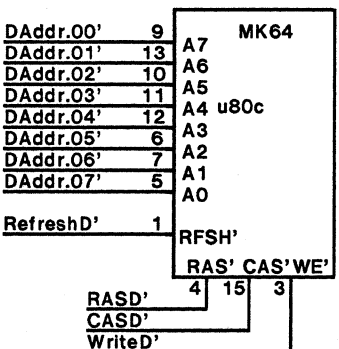
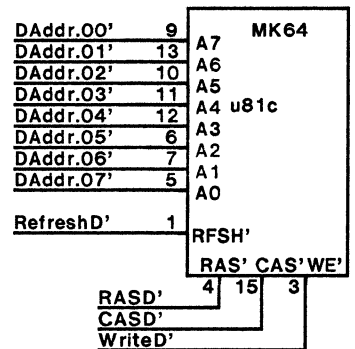
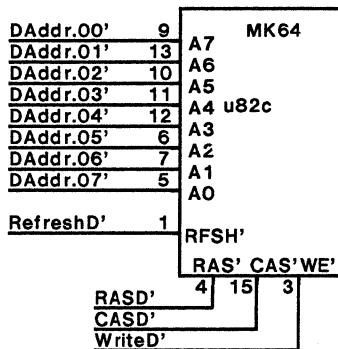
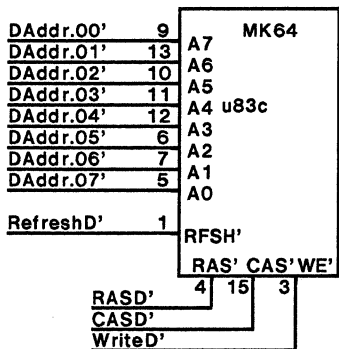
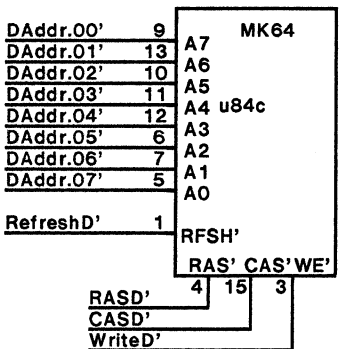
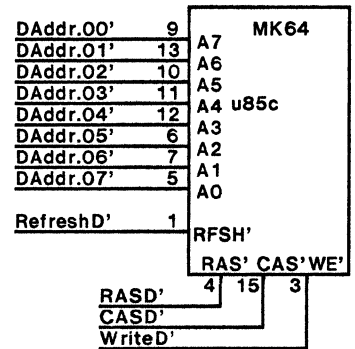
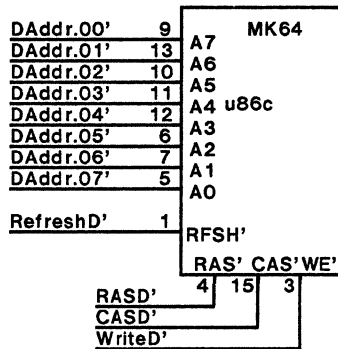
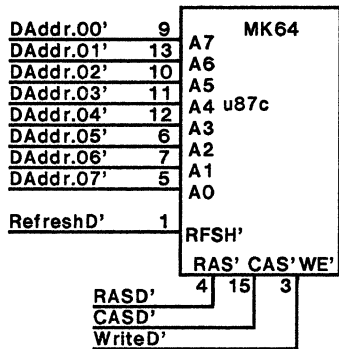
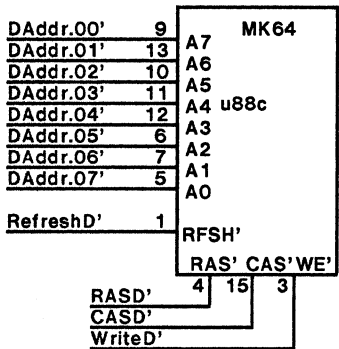
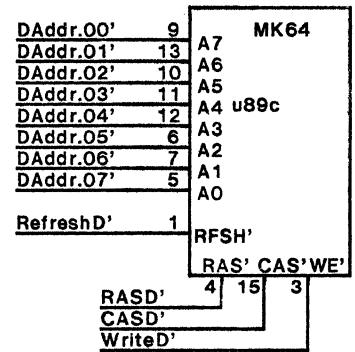
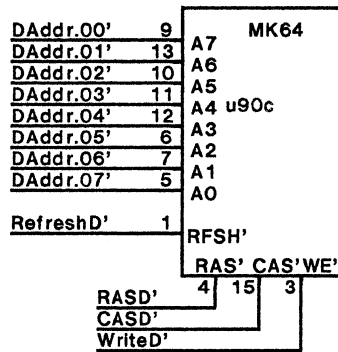
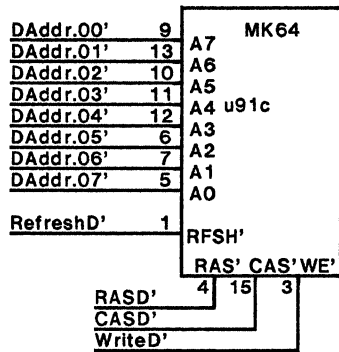
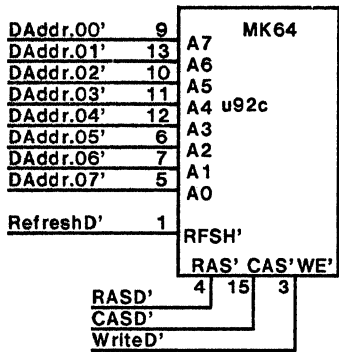
Mem. Control/ Low Bank C

XEROX	PROPRIETARY NOTE ON COVER SHEET APPLIES TO ALL SHEETS		DWG SIZE A4	DWG NO. 156P11940		SHEET REV. A
	TITLE SCHEMATIC, MCC-X			SHEET 10 OF		



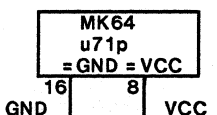
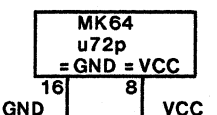
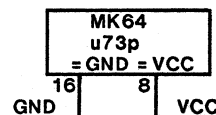
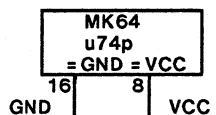
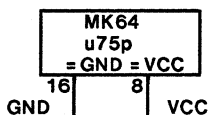
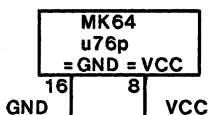
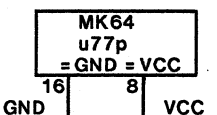
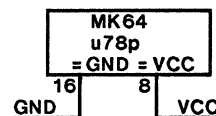
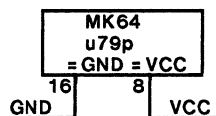
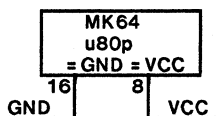
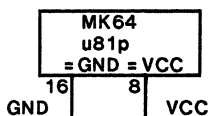
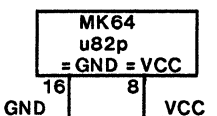
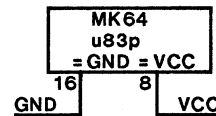
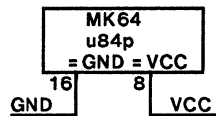
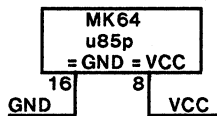
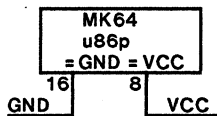
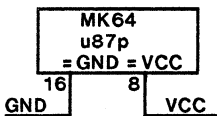
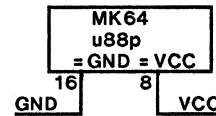
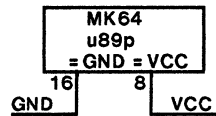
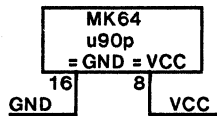
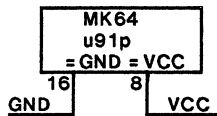
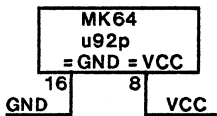
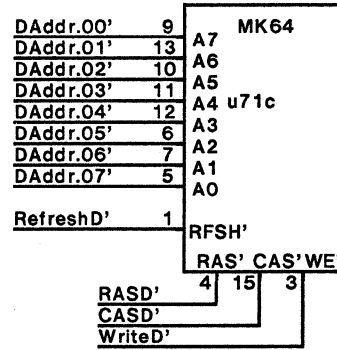
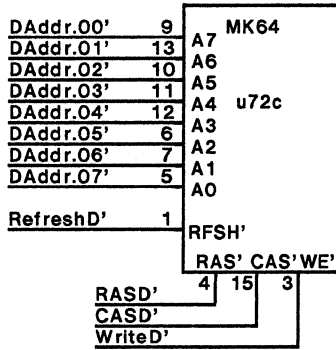
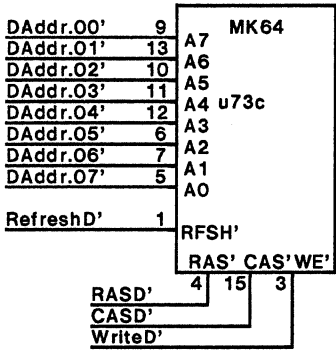
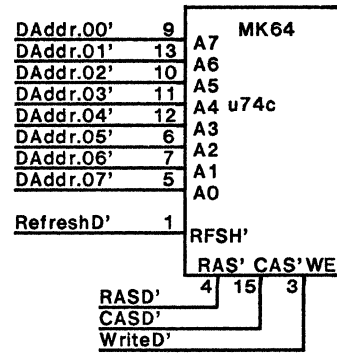
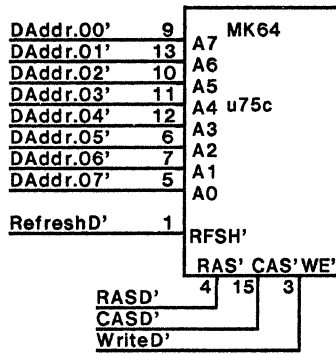
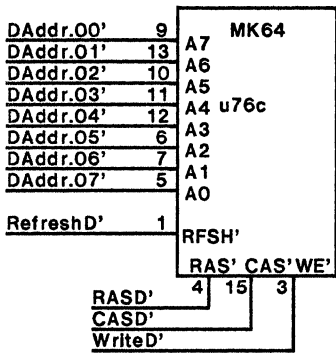
Mem. Control/ Low Bank C

XEROX	PROPRIETARY NOTE ON COVER SHEET APPLIES TO ALL SHEETS	DWG SIZE A4	DWG NO. 156P11940	SHEET REV. A
	TITLE SCHEMATIC, MCC-X		SHEET 11 OF	



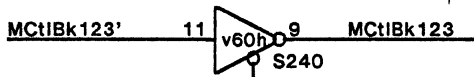
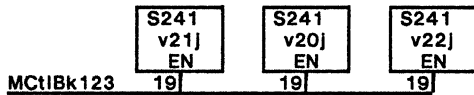
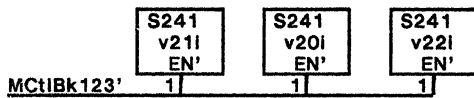
Mem. Control/ Low Bank D

XEROX	PROPRIETARY NOTE ON COVER SHEET APPLIES TO ALL SHEETS		DWG SIZE	DWG NO. 156P11940	SHEET REV. A
	TITLE SCHEMATIC, MCC-X		A4	SHEET 12 OF	

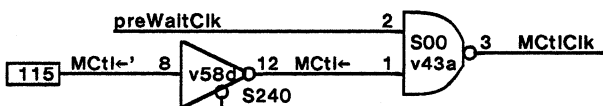
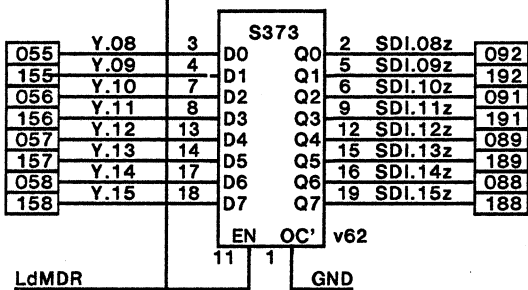
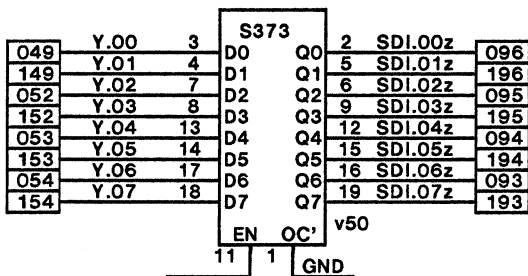


Mem. Control/ Low Bank D

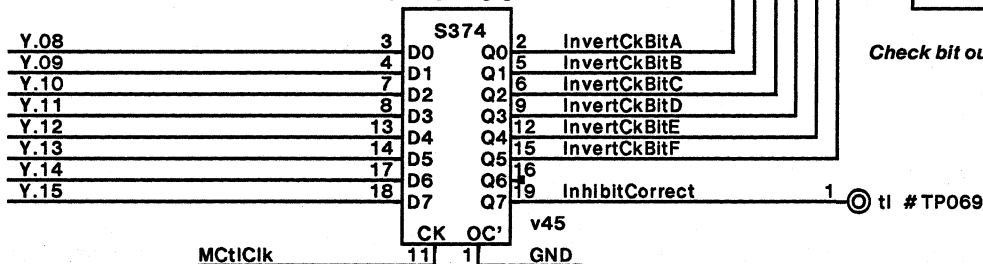
XEROX	PROPRIETARY NOTE ON COVER SHEET APPLIES TO ALL SHEETS	DWG SIZE A4	DWG NO. 156P11940	SHEET REV. A
	TITLE SCHEMATIC, MCC-X		SHEET 13 OF	



MDR

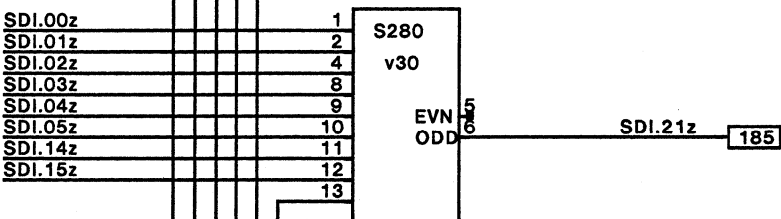
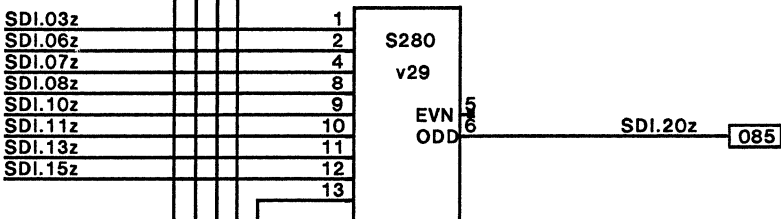
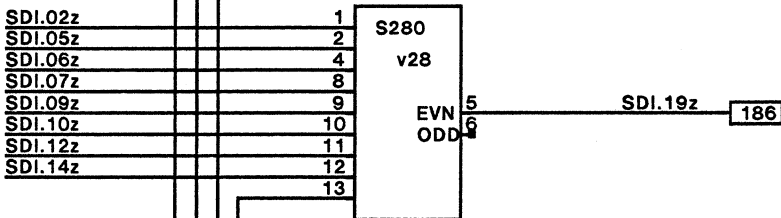
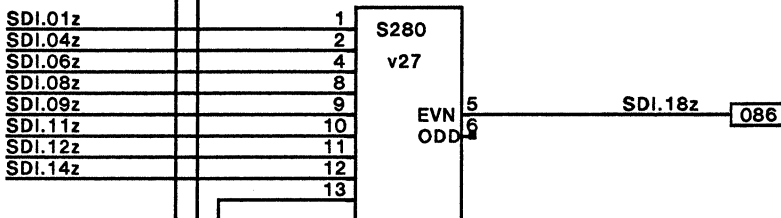
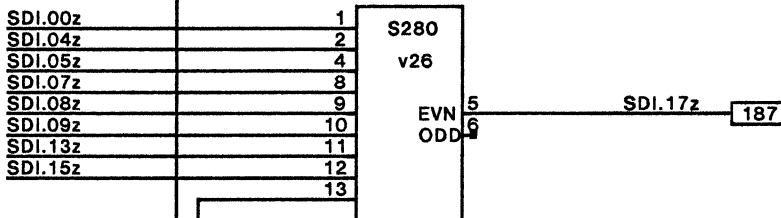
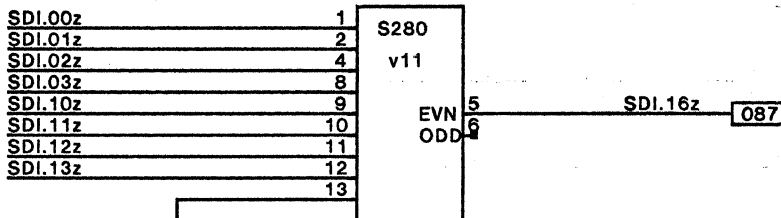


Mem & ECC

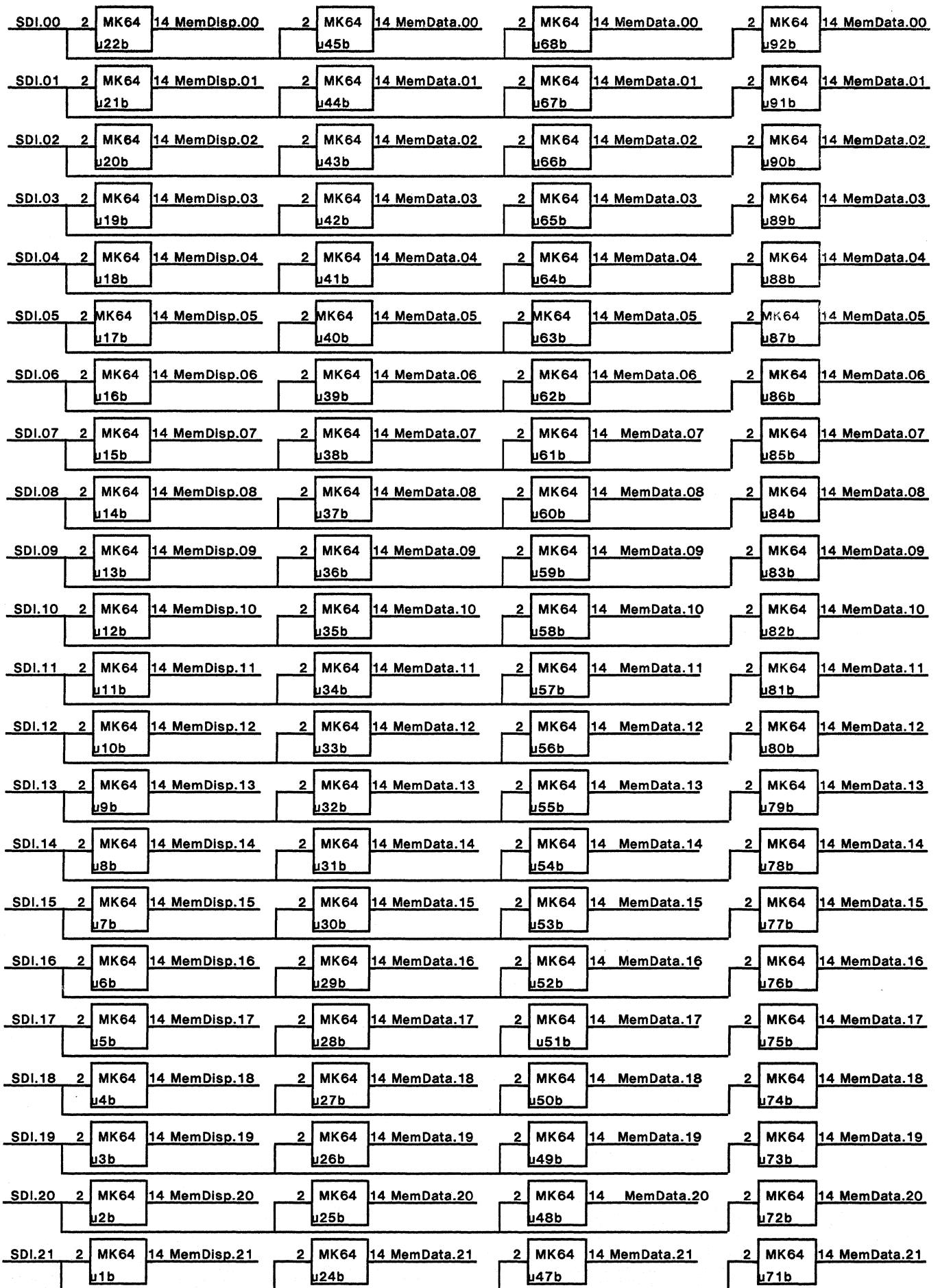


Normally, only correction enable is turned on. Other bits in Mem & ECC register are set to invert check bits for diagnostic purposes.
Data bits come from memory data register (MDR)

Mem. Data Reg., Mem. Ctl. Reg. & Check Bit Generator

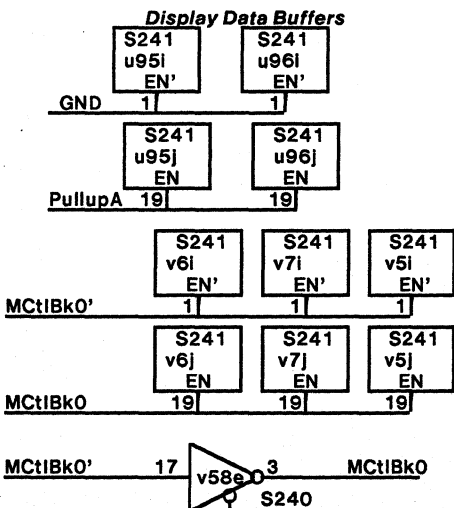
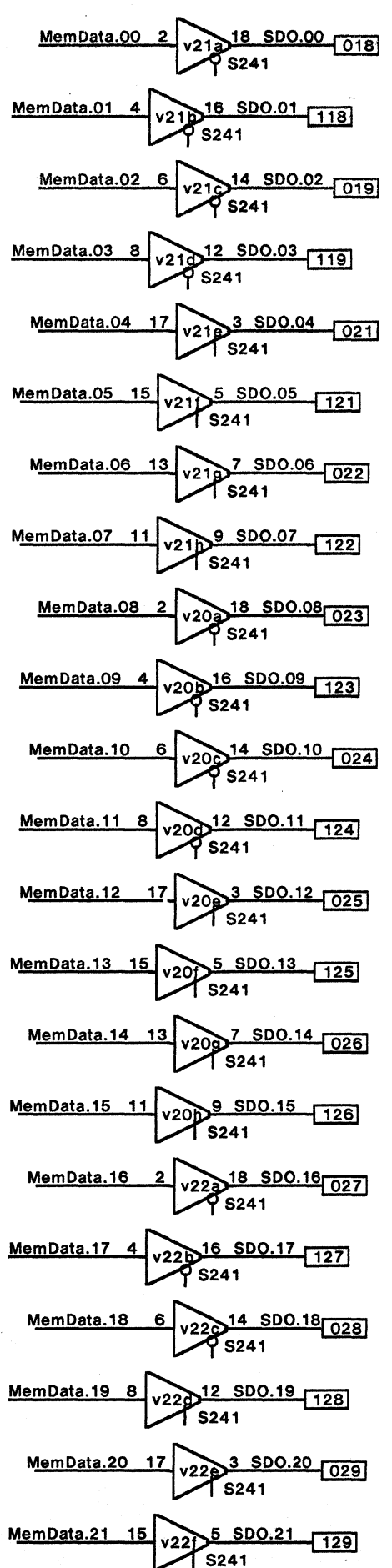
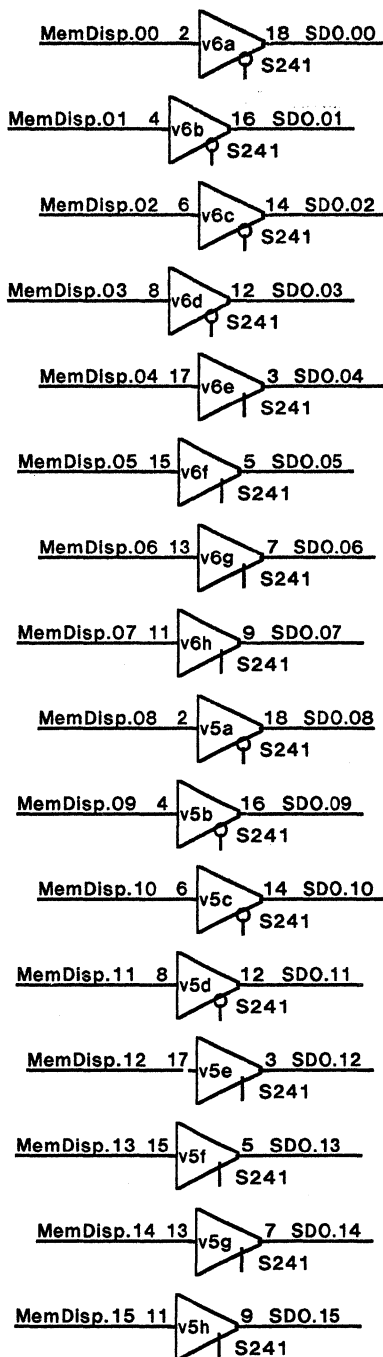
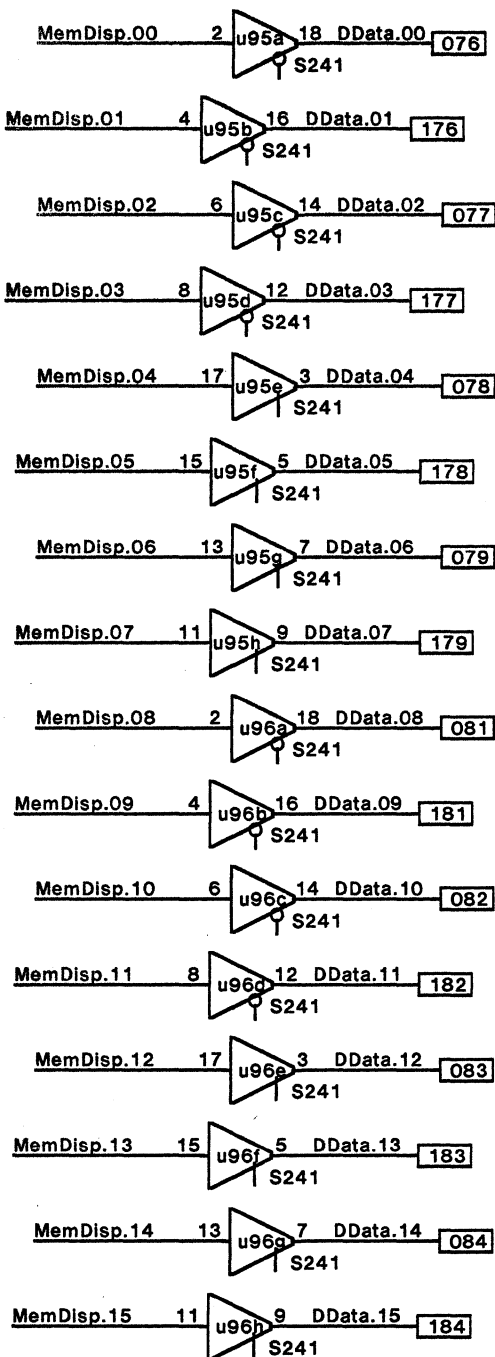


Check bit outputs go directly to memory chips.



Work Station Memory Bank 0

XEROX	PROPRIETARY NOTE ON COVER SHEET APPLIES TO ALL SHEETS		DWG NO. 156P11940	SHEET REV. A
	TITLE SCHEMATIC, MCC-X		DWG SIZE A4	

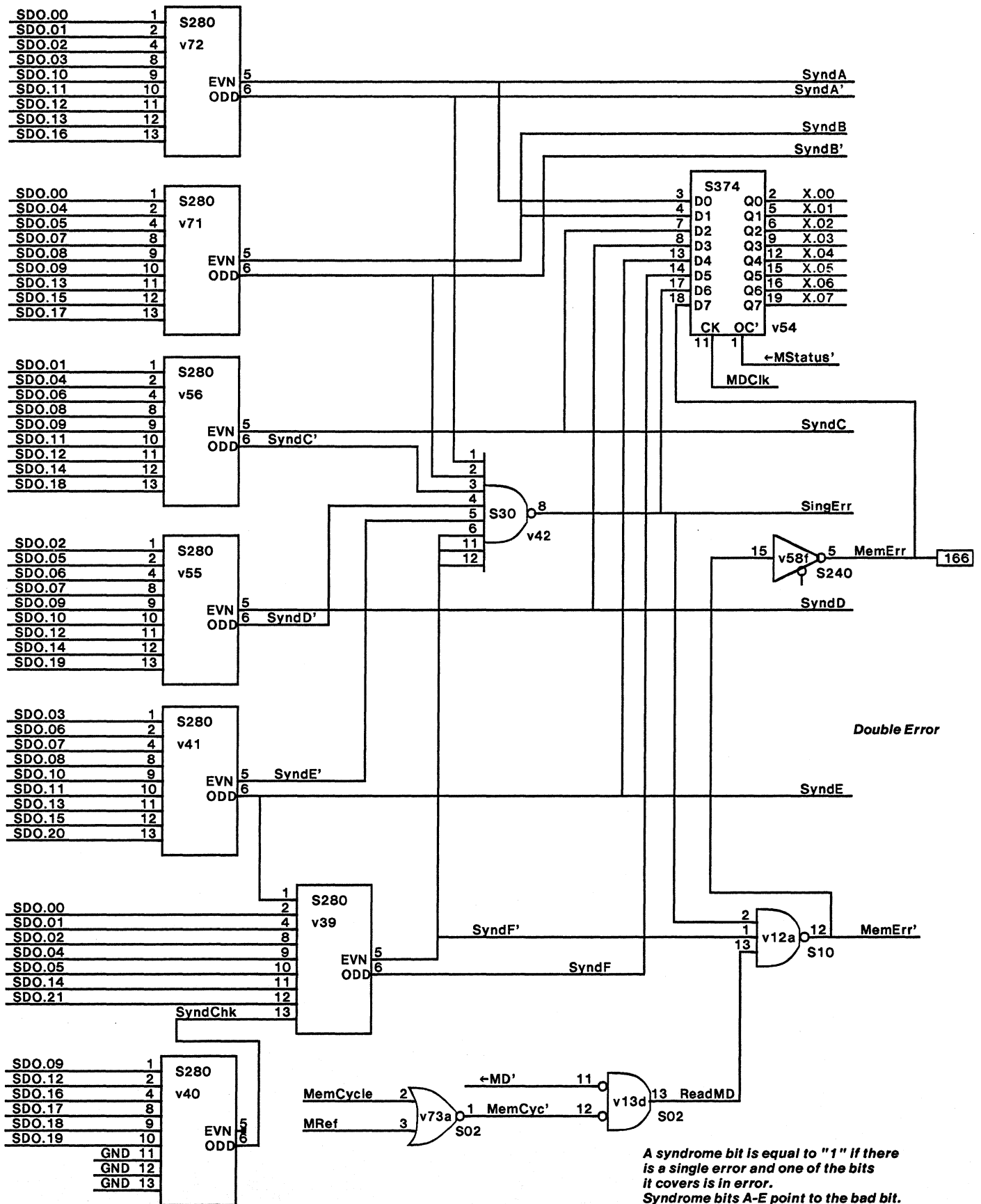


Main Data Buffers

Main Data Buffers Enable logic on Pg.14

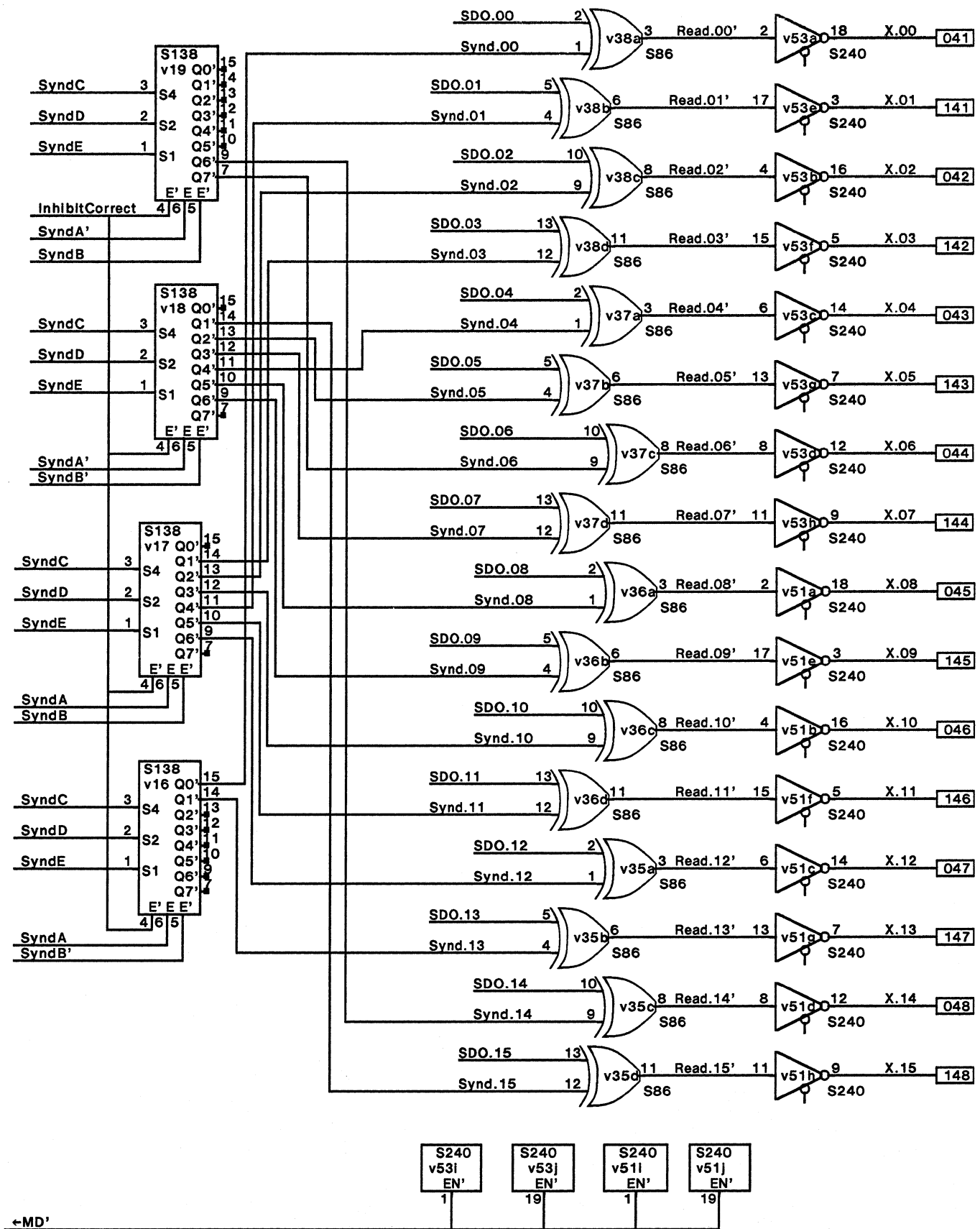
Data Buffers Low Memory Bank

XEROX	PROPRIETARY NOTE ON COVER SHEET APPLIES TO ALL SHEETS		DWG SIZE A4	DWG NO. 156P11940		SHEET REV. A
	TITLE SCHEMATIC, MCC-X			SHEET 16 OF		



Syndrome Generator

XEROX	PROPRIETARY NOTE ON COVER SHEET APPLIES TO ALL SHEETS	DWG SIZE A4	DWG NO. 156P11940	SHEET REV. A
	TITLE SCHEMATIC, MCC-X		SHEET 17 OF	



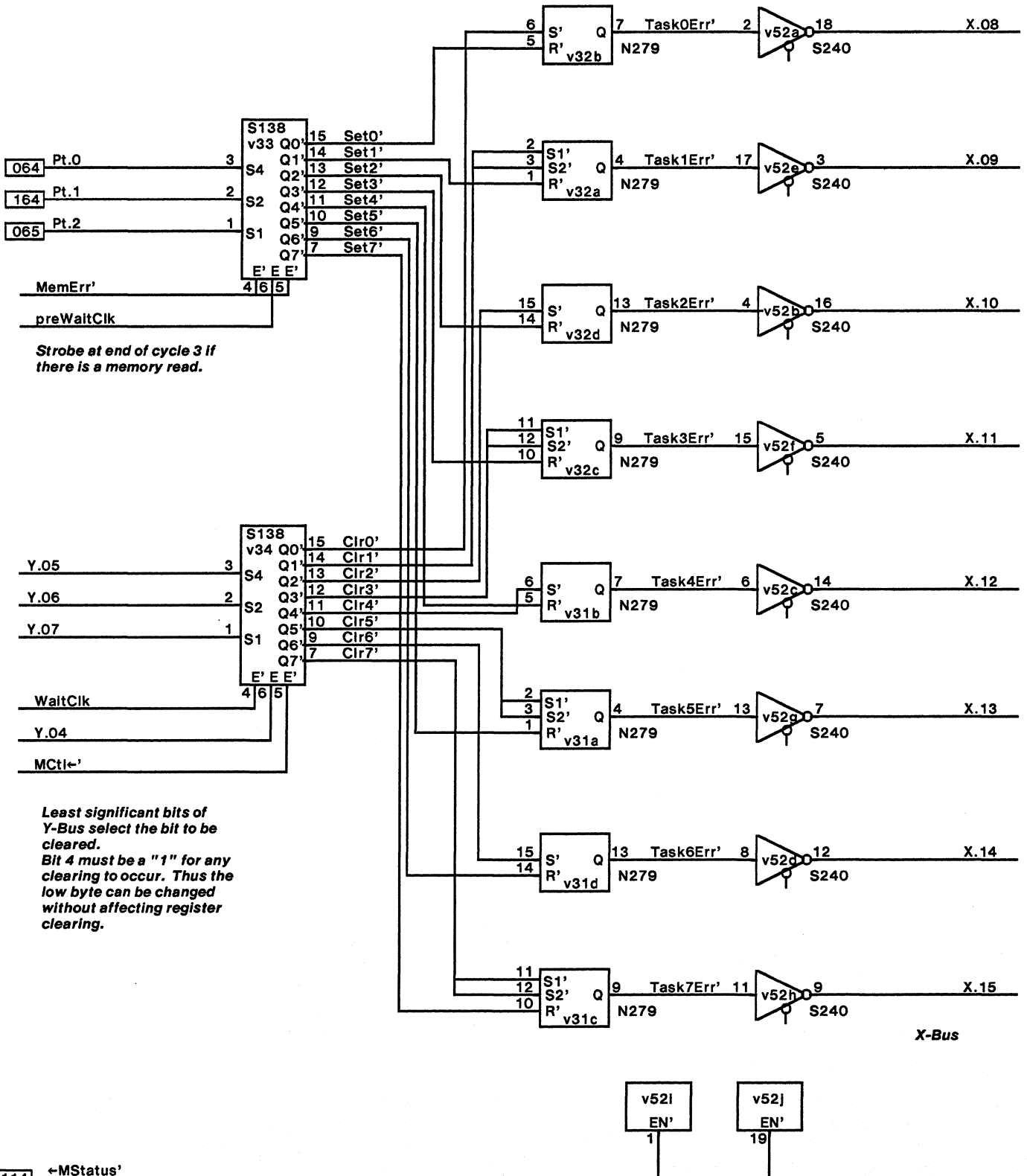
Syndrome Bits point to the bad bit. SyndA is most significant bit & SyndE is LSB. Syndrome bit is a '1' if one of the bits it covers is in error.

Error Correction Data Paths

XEROX	PROPRIETARY NOTE ON COVER SHEET APPLIES TO ALL SHEETS	DWG SIZE	DWG NO. 156P11940	SHEET REV.
	TITLE SCHEMATIC, MCC-X	A4	SHEET 18 OF	A

Errors Register

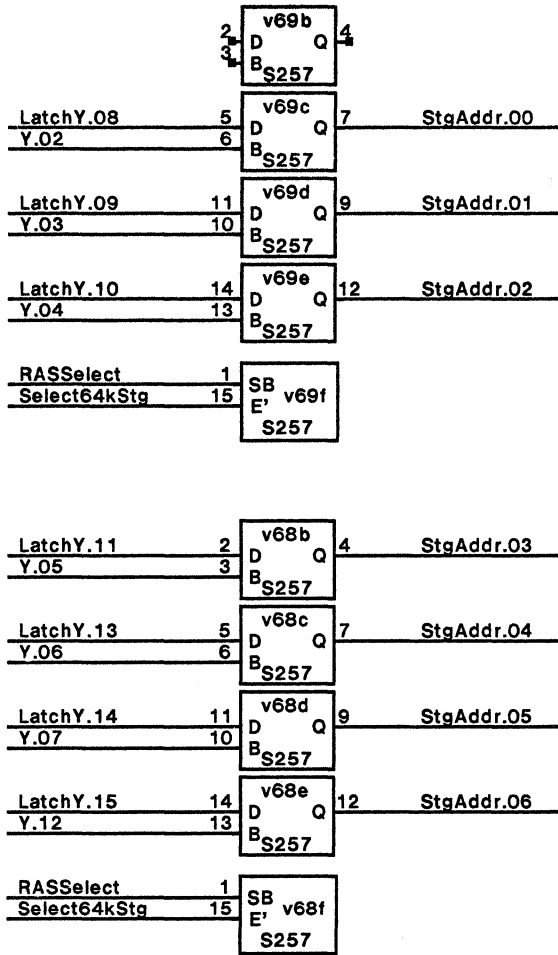
Bit is 1 if there was an error.



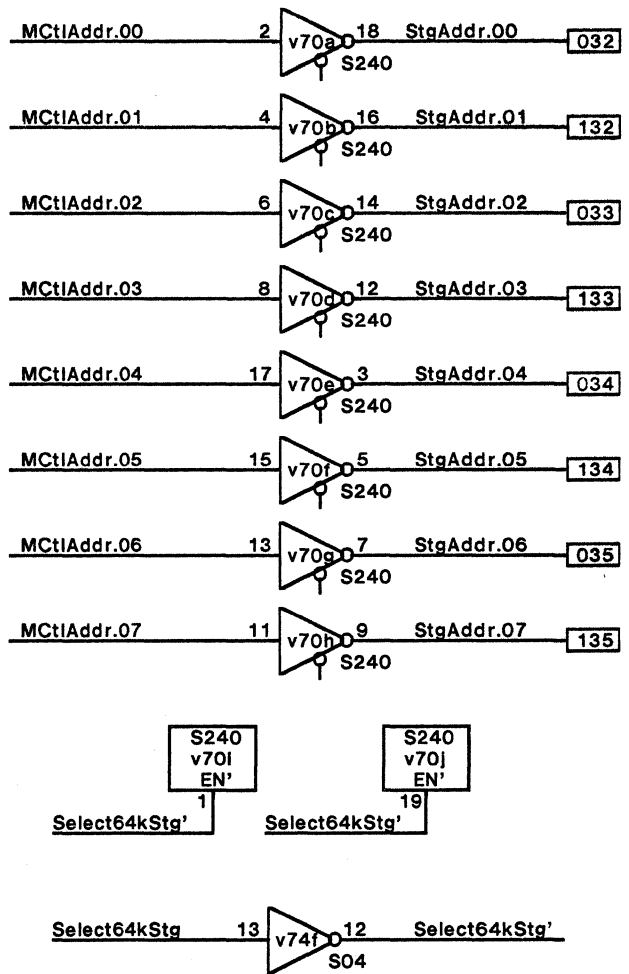
Error Log Register

XEROX	PROPRIETARY NOTE ON COVER SHEET APPLIES TO ALL SHEETS		DWG SIZE A4	DWG NO. 156P11940	SHEET REV. A
	TITLE SCHEMATIC, MCC-X		SHEET 19 OF		

The 74s257 is enabled when the Storage Card (MSC) in use is loaded with 16k RAMs.

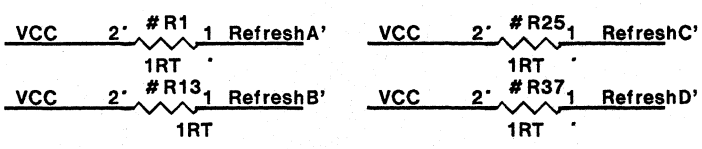
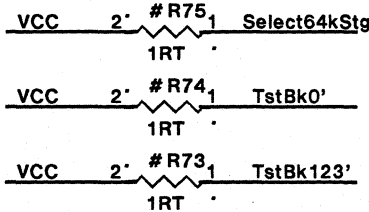
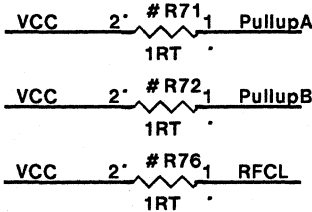
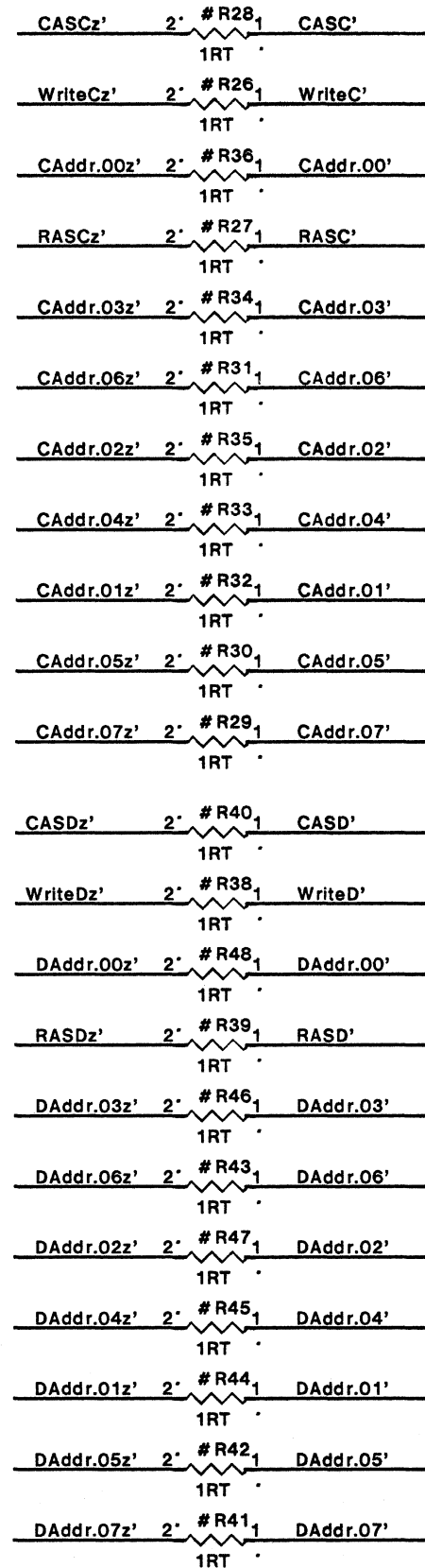
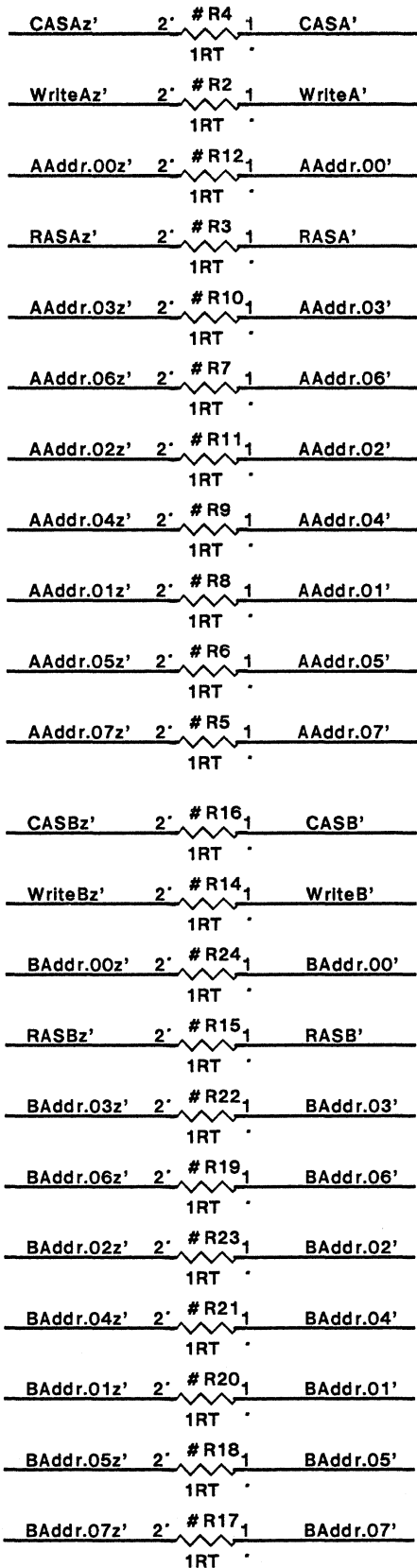
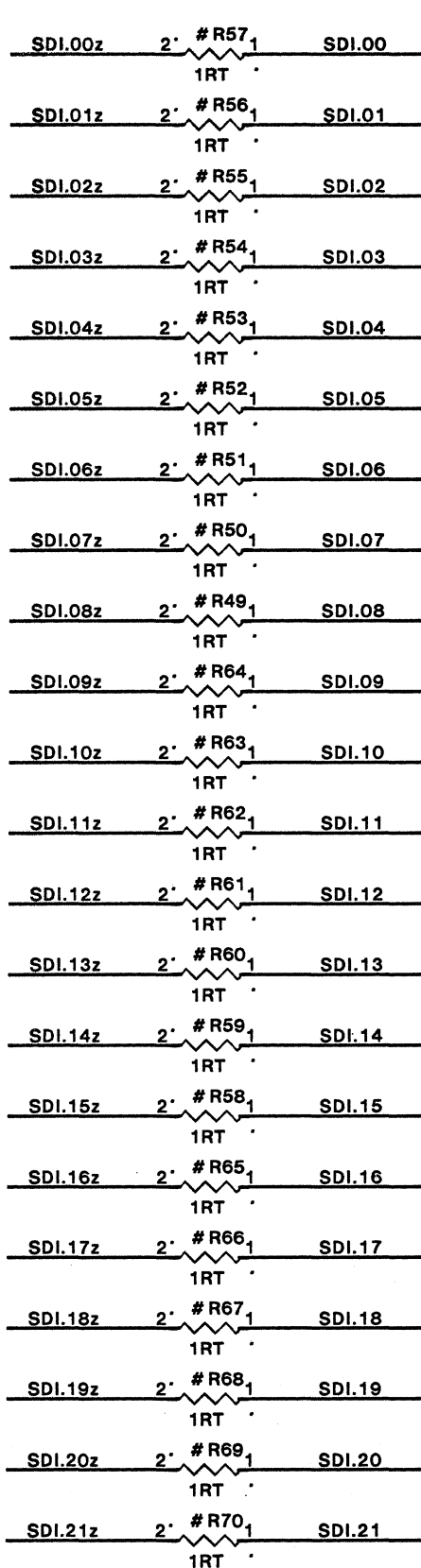


The 74s240 is enabled when the Storage Card (MSC) in use is loaded with 64k RAMs.



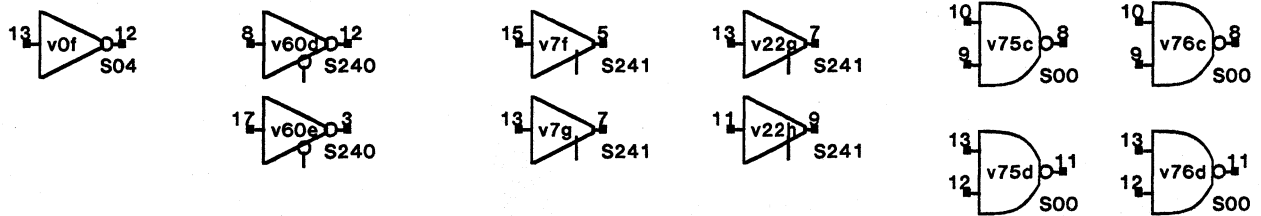
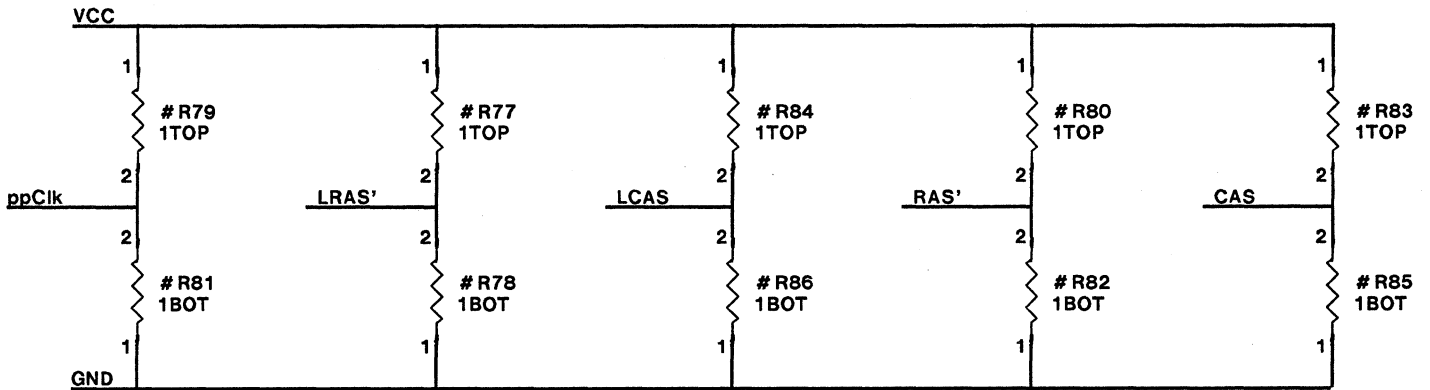
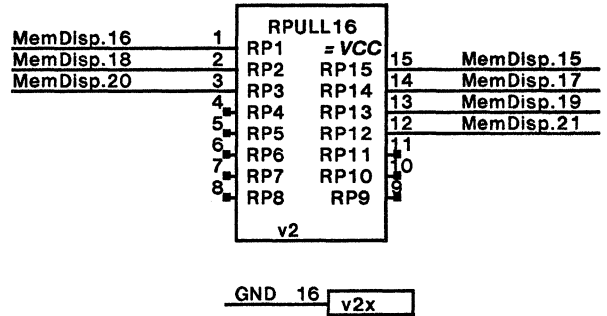
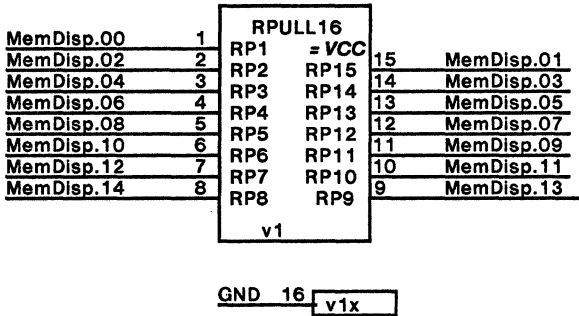
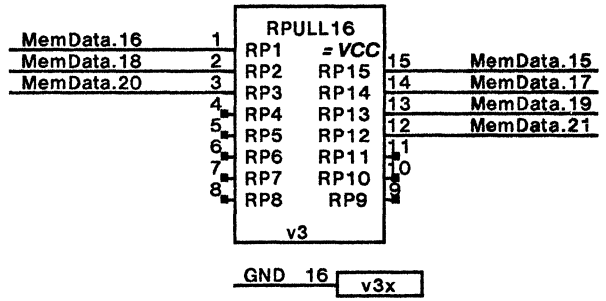
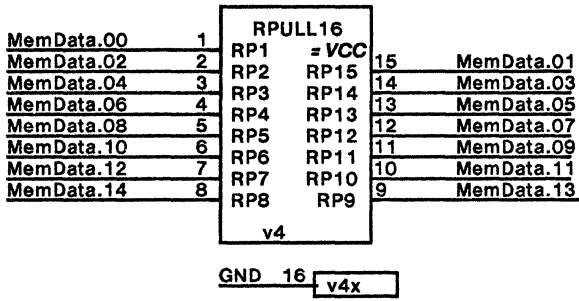
MSC Address Selection

XEROX	PROPRIETARY NOTE ON COVER SHEET APPLIES TO ALL SHEETS	DWG SIZE A4	DWG NO. 156P11940	SHEET REV. A
	TITLE SCHEMATIC, MCC-X		SHEET 20 OF	



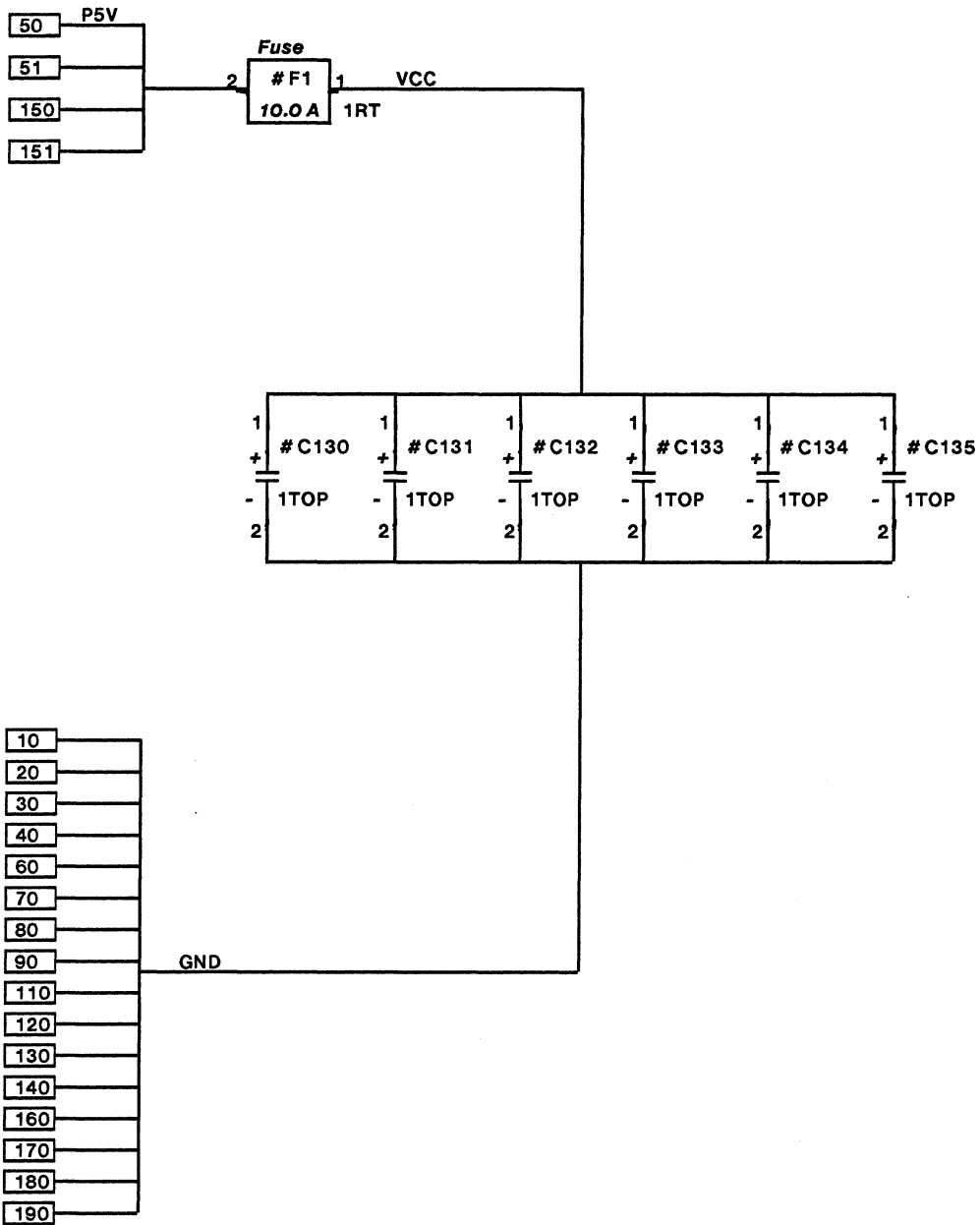
Discrete Resistors

XEROX	PROPRIETARY NOTE ON COVER SHEET APPLIES TO ALL SHEETS		DWG SIZE A4	DWG NO. 156P11940		SHEET REV. A
	TITLE SCHEMATIC, MCC-X			SHEET 21 OF		



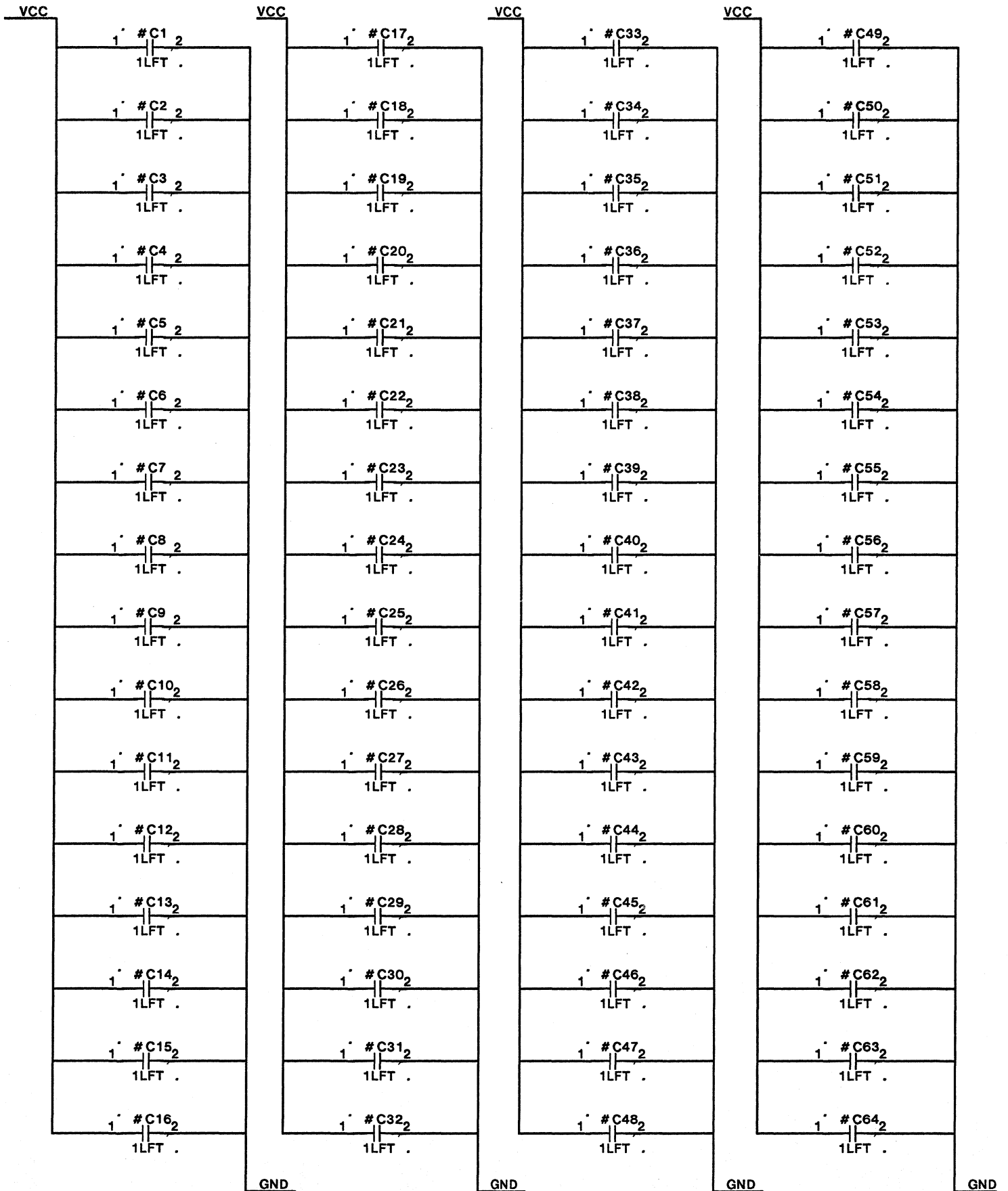
Resistor DIPs, Termination
Spare Gates

XEROX	PROPRIETARY NOTE ON COVER SHEET APPLIES TO ALL SHEETS	DWG SIZE	DWG NO. 156P11940	SHEET REV.
	TITLE SCHEMATIC, MCC-X	A4	SHEET 22 OF	A



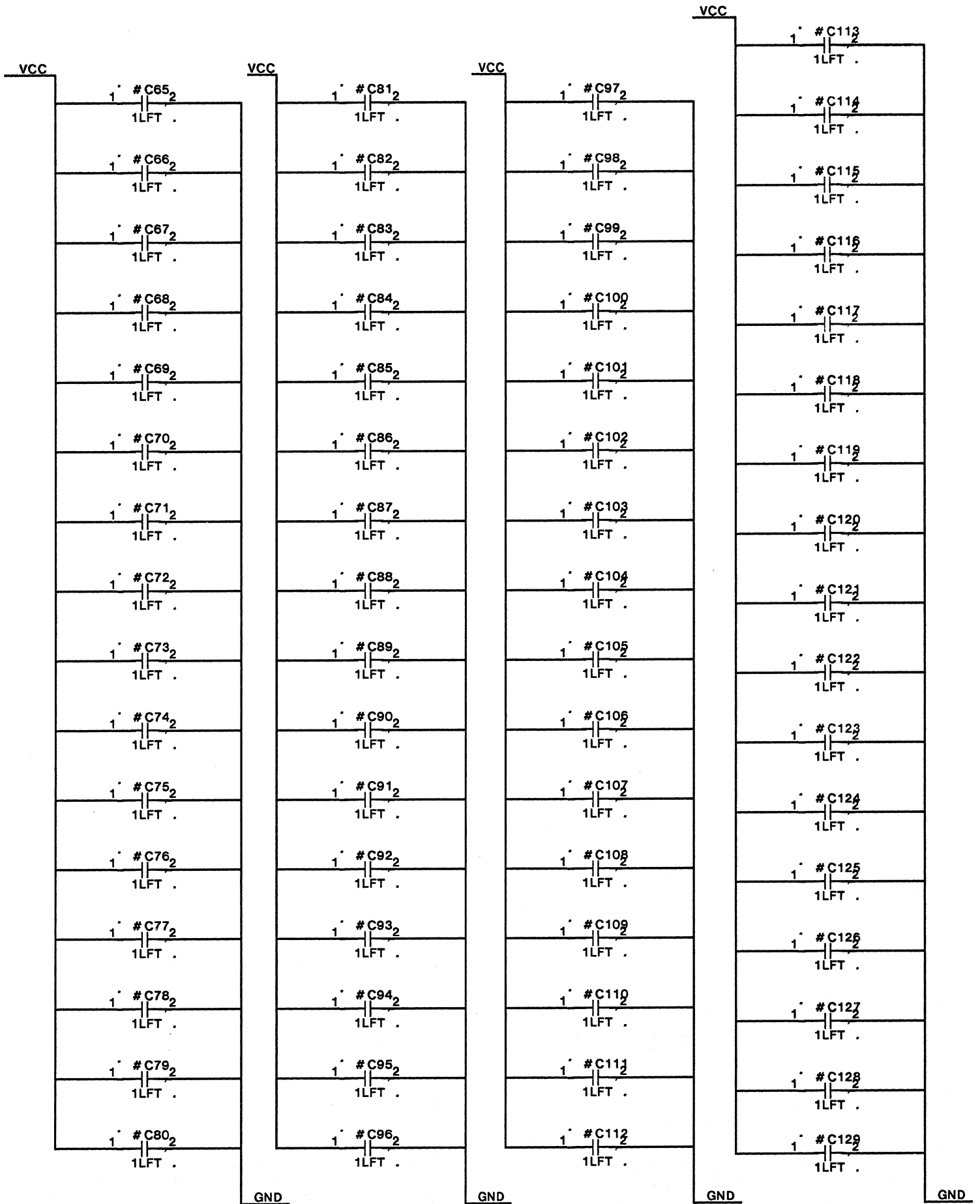
Power Pins - Fuses - Caps

XEROX	PROPRIETARY NOTE ON COVER SHEET APPLIES TO ALL SHEETS	DWG SIZE A4	DWG NO. 156P11940		SHEET REV. A
	TITLE SCHEMATIC, MCC-X		SHEET 23	OF	



DISCRETE PAGE

XEROX	PROPRIETARY NOTE ON COVER SHEET APPLIES TO ALL SHEETS		DWG SIZE A4	DWG NO. 156P11940	SHEET REV. A
	TITLE SCHEMATIC, MCC-X		SHEET 24	OF	



DISCRETE PAGE

XEROX	PROPRIETARY NOTE ON COVER SHEET APPLIES TO ALL SHEETS		DWG SIZE	DWG NO. 156P11940	SHEET REV. A
	TITLE SCHEMATIC, MCC-X		A4	SHEET 25 OF	

Comments:

- 1) Designator notation notes: u1-99 = U1-99, v0-99 = U100-199, w0-99 = U200-299
- 2) The last item on lines below, preceded by a semicolon (;), is the schematic page number on which the test point, connector or signal information originates.
- 3) Line with no page number was a continuation of the previous line.

#TP001	.1i	MRef'	;1	#TP052	.1i	BAddr.07z'	;5
#TP002	.1i	RFCL	;2	#TP053	.1i	CAddr.00z'	;5
#TP003	.1i	LatchYH.4	;2	#TP054	.1i	CAddr.01z'	;5
#TP004	.1i	LatchYH.5	;2	#TP055	.1i	CAddr.02z'	;5
#TP005	.1i	LatchYH.6	;2	#TP056	.1i	CAddr.03z'	;5
#TP006	.1i	LatchYH.7	;2	#TP057	.1i	CAddr.04z'	;5
#TP007	.1i	LatchY.00	;2	#TP058	.1i	CAddr.05z'	;5
#TP008	.1i	LatchY.01	;2	#TP059	.1i	CAddr.06z'	;5
#TP009	.1i	LatchY.02	;2	#TP060	.1i	CAddr.07z'	;5
#TP010	.1i	LatchY.03	;2	#TP061	.1i	DAddr.00z'	;5
#TP011	.1i	LatchY.04	;2	#TP062	.1i	DAddr.01z'	;5
#TP012	.1i	LatchY.05	;2	#TP063	.1i	DAddr.02z'	;5
#TP013	.1i	LatchY.06	;2	#TP064	.1i	DAddr.03z'	;5
#TP014	.1i	LatchY.07	;2	#TP065	.1i	DAddr.04z'	;5
#TP015	.1i	LatchY.08	;2	#TP066	.1i	DAddr.05z'	;5
#TP016	.1i	LatchY.09	;2	#TP067	.1i	DAddr.06z'	;5
#TP017	.1i	LatchY.10	;2	#TP068	.1i	DAddr.07z'	;5
#TP018	.1i	LatchY.11	;2	#TP069	.1i	InhibitCorrect	;14
#TP019	.1i	LatchY.12	;2	#TP070	.1i	PullupB	;1
#TP020	.1i	LatchY.13	;2				
#TP021	.1i	LatchY.14	;2	E002		Cycle1'	;1
#TP022	.1i	LatchY.15	;2	E003		Cycle2'	;1
#TP023	.1i	WriteAz'	;5	E004		Cycle3'	;1
#TP024	.1i	WriteBz'	;5	E005		RAS'	;3
#TP025	.1i	WriteCz'	;5	E006		CAS	;4
#TP026	.1i	WriteDz'	;5	E007		WPulse	;1
#TP027	.1i	CASAz'	;4	E009		ppClk	;1
#TP028	.1i	CASBz'	;4	E010		GND	;23
#TP029	.1i	CASCz'	;4	E011		AllowWrite	;1
#TP030	.1i	CASDz'	;4	E012		EnStgBrd	;4
#TP031	.1i	RASAz'	;4	E015		MapRef	;1
#TP032	.1i	RASBz'	;4	E016		Refresh	;1
#TP033	.1i	RASCz'	;4	E017		Wait	;1
#TP034	.1i	RASDz'	;4	E018		SDO.00	;16
#TP035	.1i	TstBk0'	;4	E019		SDO.02	;16
#TP036	.1i	TstBk123'	;4	E020		GND	;23
#TP037	.1i	AAddr.00z'	;5	E021		SDO.04	;16
#TP038	.1i	AAddr.01z'	;5	E022		SDO.06	;16
#TP039	.1i	AAddr.02z'	;5	E023		SDO.08	;16
#TP040	.1i	AAddr.03z'	;5	E024		SDO.10	;16
#TP041	.1i	AAddr.04z'	;5	E025		SDO.12	;16
#TP042	.1i	AAddr.05z'	;5	E026		SDO.14	;16
#TP043	.1i	AAddr.06z'	;5	E027		SDO.16	;16
#TP044	.1i	AAddr.07z'	;5	E028		SDO.18	;16
#TP045	.1i	BAddr.00z'	;5	E029		SDO.20	;16
#TP046	.1i	BAddr.01z'	;5	E030		GND	;23
#TP047	.1i	BAddr.02z'	;5	E032		StgAddr.00	;20
#TP048	.1i	BAddr.03z'	;5	E033		StgAddr.02	;20
#TP049	.1i	BAddr.04z'	;5	E034		StgAddr.04	;20
#TP050	.1i	BAddr.05z'	;5	E035		StgAddr.06	;20
#TP051	.1i	BAddr.06z'	;5	E036		LatchYH.7	;2

E037	LatchYH.5	;2	E105	LRAS'	;3
E038	PullupA	;1	E106	LCAS	;4
E040	GND	;23	E110	GND	;23
E041	X.00	;18	E113	mem	;1
E042	X.02	;18	E114	<MStatus'	;19
E043	X.04	;18	E115	Mctl←'	;14
E044	X.06	;18	E116	CRefresh'	;1
E045	X.08	;18	E118	SDO.01	;16
E046	X.10	;18	E119	SDO.03	;16
E047	X.12	;18	E120	GND	;23
E048	X.14	;18	E121	SDO.05	;16
E049	Y.00	;14	E122	SDO.07	;16
E050	P5V	;23	E123	SDO.09	;16
E051	P5V	;23	E124	SDO.11	;16
E052	Y.02	;14	E125	SDO.13	;16
E053	Y.04	;14	E126	SDO.15	;16
E054	Y.06	;14	E127	SDO.17	;16
E055	Y.08	;14	E128	SDO.19	;16
E056	Y.10	;14	E129	SDO.21	;16
E057	Y.12	;14	E130	GND	;23
E058	Y.14	;14	E132	StgAddr.01	;20
E059	YH.0	;2	E133	StgAddr.03	;20
E060	GND	;23	E134	StgAddr.05	;20
E061	YH.2	;2	E135	StgAddr.07	;20
E062	YH.4	;2	E136	LatchYH.6	;2
E063	YH.6	;2	E137	LatchYH.4	;2
E064	Pt.0	;19	E138	Write'	;1
E065	Pt.2	;19	E140	GND	;23
E066	Disp/Proc.'	;4	E141	X.01	;18
E067	DispAddr.00	;3	E142	X.03	;18
E068	DispAddr.02	;3	E143	X.05	;18
E069	DispAddr.04	;3	E144	X.07	;18
E070	GND	;23	E145	X.09	;18
E071	DispAddr.06	;3	E146	X.11	;18
E072	DispAddr.08	;3	E147	X.13	;18
E073	DispAddr.10	;3	E148	X.15	;18
E074	DispAddr.12	;3	E149	Y.01	;14
E075	DispAddr.14	;3	E150	P5V	;23
E076	DData.00	;16	E151	P5V	;23
E077	DData.02	;16	E152	Y.03	;14
E078	DData.04	;16	E153	Y.05	;14
E079	DData.06	;16	E154	Y.07	;14
E080	GND	;23	E155	Y.09	;14
E081	DData.08	;16	E156	Y.11	;14
E082	DData.10	;16	E157	Y.13	;14
E083	DData.12	;16	E158	Y.15	;14
E084	DData.14	;16	E159	YH.1	;2
E085	SDI.20z	;14	E160	GND	;23
E086	SDI.18z	;14	E161	YH.3	;2
E087	SDI.16z	;14	E162	YH.5	;2
E088	SDI.14z	;14	E163	YH.7	;2
E089	SDI.12z	;14	E164	Pt.1	;19
E090	GND	;23	E166	MemErr	;17
E091	SDI.10z	;14	E167	DispAddr.01	;3
E092	SDI.08z	;14	E168	DispAddr.03	;3
E093	SDI.06z	;14	E169	DispAddr.05	;3
E094	SDI.04z	;14	E170	GND	;23
E095	SDI.02z	;14	E171	DispAddr.07	;3
E096	SDI.00z	;14	E172	DispAddr.09	;3

XEROX	PROPRIETARY NOTE ON COVER SHEET APPLIES TO ALL SHEETS		DWG SIZE	DWG NO. 156P11940	SHEET REV. A
	TITLE SCHEMATIC, MCC-X		A4	SHEET 27 OF	

AAddr.03': u11.11i ;6
 AAddr.03': u07.11i ;6
 AAddr.03': u08.11i ;6
 AAddr.03': u09.11i ;6
 AAddr.03': u10.11i ;6
 AAddr.03': u06.11i ;7
 AAddr.03': u05.11i ;7
 AAddr.03': u04.11i ;7
 AAddr.03': u03.11i ;7
 AAddr.03': u02.11i ;7
 AAddr.03': u01.11i ;7
 AAddr.03': #R10.1o ;21

AAddr.03z': u23.12o, #TP040.1i ;5
 AAddr.03z': #R10.2i ;21

AAddr.04': u22.12i ;6
 AAddr.04': u21.12i ;6
 AAddr.04': u20.12i ;6
 AAddr.04': u19.12i ;6
 AAddr.04': u18.12i ;6
 AAddr.04': u17.12i ;6
 AAddr.04': u16.12i ;6
 AAddr.04': u15.12i ;6
 AAddr.04': u14.12i ;6
 AAddr.04': u13.12i ;6
 AAddr.04': u12.12i ;6
 AAddr.04': u11.12i ;6
 AAddr.04': u07.12i ;6
 AAddr.04': u08.12i ;6
 AAddr.04': u09.12i ;6
 AAddr.04': u10.12i ;6
 AAddr.04': u06.12i ;7
 AAddr.04': u05.12i ;7
 AAddr.04': u04.12i ;7
 AAddr.04': u03.12i ;7
 AAddr.04': u02.12i ;7
 AAddr.04': u01.12i ;7
 AAddr.04': #R9.1o ;21

AAddr.04z': u23.3o, #TP041.1i ;5
 AAddr.04z': #R9.2i ;21

AAddr.05': u22.6i ;6
 AAddr.05': u21.6i ;6
 AAddr.05': u20.6i ;6
 AAddr.05': u19.6i ;6
 AAddr.05': u18.6i ;6
 AAddr.05': u17.6i ;6
 AAddr.05': u16.6i ;6
 AAddr.05': u15.6i ;6
 AAddr.05': u14.6i ;6
 AAddr.05': u13.6i ;6
 AAddr.05': u12.6i ;6
 AAddr.05': u11.6i ;6
 AAddr.05': u07.6i ;6
 AAddr.05': u08.6i ;6
 AAddr.05': u09.6i ;6
 AAddr.05': u10.6i ;6

AAddr.05': u06.6i ;7
 AAddr.05': u05.6i ;7
 AAddr.05': u04.6i ;7
 AAddr.05': u03.6i ;7
 AAddr.05': u02.6i ;7
 AAddr.05': u01.6i ;7
 AAddr.05': #R6.1o ;21

AAddr.05z': u23.5o, #TP042.1i ;5
 AAddr.05z': #R6.2i ;21

AAddr.06': u22.7i ;6
 AAddr.06': u21.7i ;6
 AAddr.06': u20.7i ;6
 AAddr.06': u19.7i ;6
 AAddr.06': u18.7i ;6
 AAddr.06': u17.7i ;6
 AAddr.06': u16.7i ;6
 AAddr.06': u15.7i ;6
 AAddr.06': u14.7i ;6
 AAddr.06': u13.7i ;6
 AAddr.06': u12.7i ;6
 AAddr.06': u11.7i ;6
 AAddr.06': u07.7i ;6
 AAddr.06': u08.7i ;6
 AAddr.06': u09.7i ;6
 AAddr.06': u10.7i ;6
 AAddr.06': u06.7i ;7
 AAddr.06': u05.7i ;7
 AAddr.06': u04.7i ;7
 AAddr.06': u03.7i ;7
 AAddr.06': u02.7i ;7
 AAddr.06': u01.7i ;7
 AAddr.06': #R7.1o ;21

AAddr.06z': u23.7o, #TP043.1i ;5
 AAddr.06z': #R7.2i ;21

AAddr.07': u22.5i ;6
 AAddr.07': u21.5i ;6
 AAddr.07': u20.5i ;6
 AAddr.07': u19.5i ;6
 AAddr.07': u18.5i ;6
 AAddr.07': u17.5i ;6
 AAddr.07': u16.5i ;6
 AAddr.07': u15.5i ;6
 AAddr.07': u14.5i ;6
 AAddr.07': u13.5i ;6
 AAddr.07': u12.5i ;6
 AAddr.07': u11.5i ;6
 AAddr.07': u07.5i ;6
 AAddr.07': u08.5i ;6
 AAddr.07': u09.5i ;6
 AAddr.07': u10.5i ;6
 AAddr.07': u06.5i ;7
 AAddr.07': u05.5i ;7
 AAddr.07': u04.5i ;7
 AAddr.07': u03.5i ;7
 AAddr.07': u02.5i ;7

AAddr.07': u01.5i ;7
AAddr.07': #R5.1o ;21

AAddr.07z': u23.9o, #TP044.1i ;5
AAddr.07z': #R5.2i ;21

AllowWrite: E11, v23.9i ;1

BAddr.00': u45.9i ;8
BAddr.00': u41.9i ;8
BAddr.00': u37.9i ;8
BAddr.00': u33.9i ;8
BAddr.00': u32.9i ;8
BAddr.00': u36.9i ;8
BAddr.00': u40.9i ;8
BAddr.00': u44.9i ;8
BAddr.00': u43.9i ;8
BAddr.00': u39.9i ;8
BAddr.00': u35.9i ;8
BAddr.00': u31.9i ;8
BAddr.00': u30.9i ;8
BAddr.00': u34.9i ;8
BAddr.00': u38.9i ;8
BAddr.00': u42.9i ;8
BAddr.00': u29.9i ;9
BAddr.00': u26.9i ;9
BAddr.00': u25.9i ;9
BAddr.00': u28.9i ;9
BAddr.00': u27.9i ;9
BAddr.00': u24.9i ;9
BAddr.00': #R24.1o ;21

BAddr.00z': u46.18o, #TP045.1i ;5
BAddr.00z': #R24.2i ;21

BAddr.01': u45.13i ;8
BAddr.01': u41.13i ;8
BAddr.01': u37.13i ;8
BAddr.01': u33.13i ;8
BAddr.01': u32.13i ;8
BAddr.01': u36.13i ;8
BAddr.01': u40.13i ;8
BAddr.01': u44.13i ;8
BAddr.01': u43.13i ;8
BAddr.01': u39.13i ;8
BAddr.01': u35.13i ;8
BAddr.01': u31.13i ;8
BAddr.01': u30.13i ;8
BAddr.01': u34.13i ;8
BAddr.01': u38.13i ;8
BAddr.01': u42.13i ;8
BAddr.01': u29.13i ;9
BAddr.01': u26.13i ;9
BAddr.01': u25.13i ;9
BAddr.01': u28.13i ;9
BAddr.01': u27.13i ;9
BAddr.01': u24.13i ;9
BAddr.01': #R20.1o ;21

BAddr.01z': u46.16o, #TP046.1i ;5
BAddr.01z': #R20.2i ;21

BAddr.02': u45.10i ;8
BAddr.02': u41.10i ;8
BAddr.02': u37.10i ;8
BAddr.02': u33.10i ;8
BAddr.02': u32.10i ;8
BAddr.02': u36.10i ;8
BAddr.02': u40.10i ;8
BAddr.02': u44.10i ;8
BAddr.02': u43.10i ;8
BAddr.02': u39.10i ;8
BAddr.02': u35.10i ;8
BAddr.02': u31.10i ;8
BAddr.02': u30.10i ;8
BAddr.02': u34.10i ;8
BAddr.02': u38.10i ;8
BAddr.02': u42.10i ;8
BAddr.02': u29.10i ;9
BAddr.02': u26.10i ;9
BAddr.02': u25.10i ;9
BAddr.02': u28.10i ;9
BAddr.02': u27.10i ;9
BAddr.02': u24.10i ;9
BAddr.02': #R23.1o ;21

BAddr.02z': u46.14o, #TP047.1i ;5
BAddr.02z': #R23.2i ;21

BAddr.03': u45.11i ;8
BAddr.03': u41.11i ;8
BAddr.03': u37.11i ;8
BAddr.03': u33.11i ;8
BAddr.03': u32.11i ;8
BAddr.03': u36.11i ;8
BAddr.03': u40.11i ;8
BAddr.03': u44.11i ;8
BAddr.03': u43.11i ;8
BAddr.03': u39.11i ;8
BAddr.03': u35.11i ;8
BAddr.03': u31.11i ;8
BAddr.03': u30.11i ;8
BAddr.03': u34.11i ;8
BAddr.03': u38.11i ;8
BAddr.03': u42.11i ;8
BAddr.03': u29.11i ;9
BAddr.03': u26.11i ;9
BAddr.03': u25.11i ;9
BAddr.03': u28.11i ;9
BAddr.03': u27.11i ;9
BAddr.03': u24.11i ;9
BAddr.03': #R22.1o ;21

BAddr.03z': u46.12o, #TP048.1i ;5
BAddr.03z': #R22.2i ;21

BAddr.04': u45.12i ;8
BAddr.04': u41.12i ;8

XEROX	PROPRIETARY NOTE ON COVER SHEET APPLIES TO ALL SHEETS		DWG SIZE A4	DWG NO. 156P11940		SHEET REV. A
	TITLE	SCHEMATIC, MCC-X		SHEET	30 OF	

BAddr.04': u37.12i ;8
 BAddr.04': u33.12i ;8
 BAddr.04': u32.12i ;8
 BAddr.04': u36.12i ;8
 BAddr.04': u40.12i ;8
 BAddr.04': u44.12i ;8
 BAddr.04': u43.12i ;8
 BAddr.04': u39.12i ;8
 BAddr.04': u35.12i ;8
 BAddr.04': u31.12i ;8
 BAddr.04': u30.12i ;8
 BAddr.04': u34.12i ;8
 BAddr.04': u38.12i ;8
 BAddr.04': u42.12i ;8
 BAddr.04': u29.12i ;9
 BAddr.04': u26.12i ;9
 BAddr.04': u25.12i ;9
 BAddr.04': u28.12i ;9
 BAddr.04': u27.12i ;9
 BAddr.04': u24.12i ;9
 BAddr.04': #R21.1o ;21

BAddr.04z': u46.3o, #TP049.1i ;5
 BAddr.04z': #R21.2i ;21

BAddr.05': u45.6i ;8
 BAddr.05': u41.6i ;8
 BAddr.05': u37.6i ;8
 BAddr.05': u33.6i ;8
 BAddr.05': u32.6i ;8
 BAddr.05': u36.6i ;8
 BAddr.05': u40.6i ;8
 BAddr.05': u44.6i ;8
 BAddr.05': u43.6i ;8
 BAddr.05': u39.6i ;8
 BAddr.05': u35.6i ;8
 BAddr.05': u31.6i ;8
 BAddr.05': u30.6i ;8
 BAddr.05': u34.6i ;8
 BAddr.05': u38.6i ;8
 BAddr.05': u42.6i ;8
 BAddr.05': u29.6i ;9
 BAddr.05': u26.6i ;9
 BAddr.05': u25.6i ;9
 BAddr.05': u28.6i ;9
 BAddr.05': u27.6i ;9
 BAddr.05': u24.6i ;9
 BAddr.05': #R18.1o ;21

BAddr.05z': u46.5o, #TP050.1i ;5
 BAddr.05z': #R18.2i ;21

BAddr.06': u45.7i ;8
 BAddr.06': u41.7i ;8
 BAddr.06': u37.7i ;8
 BAddr.06': u33.7i ;8
 BAddr.06': u32.7i ;8
 BAddr.06': u36.7i ;8
 BAddr.06': u40.7i ;8

BAddr.06': u44.7i ;8
 BAddr.06': u43.7i ;8
 BAddr.06': u39.7i ;8
 BAddr.06': u35.7i ;8
 BAddr.06': u31.7i ;8
 BAddr.06': u30.7i ;8
 BAddr.06': u34.7i ;8
 BAddr.06': u38.7i ;8
 BAddr.06': u42.7i ;8
 BAddr.06': u29.7i ;9
 BAddr.06': u26.7i ;9
 BAddr.06': u25.7i ;9
 BAddr.06': u28.7i ;9
 BAddr.06': u27.7i ;9
 BAddr.06': u24.7i ;9
 BAddr.06': #R19.1o ;21

BAddr.06z': u46.7o, #TP051.1i ;5
 BAddr.06z': #R19.2i ;21

BAddr.07': u45.5i ;8
 BAddr.07': u41.5i ;8
 BAddr.07': u37.5i ;8
 BAddr.07': u33.5i ;8
 BAddr.07': u32.5i ;8
 BAddr.07': u36.5i ;8
 BAddr.07': u40.5i ;8
 BAddr.07': u44.5i ;8
 BAddr.07': u43.5i ;8
 BAddr.07': u39.5i ;8
 BAddr.07': u35.5i ;8
 BAddr.07': u31.5i ;8
 BAddr.07': u30.5i ;8
 BAddr.07': u34.5i ;8
 BAddr.07': u38.5i ;8
 BAddr.07': u42.5i ;8
 BAddr.07': u29.5i ;9
 BAddr.07': u26.5i ;9
 BAddr.07': u25.5i ;9
 BAddr.07': u28.5i ;9
 BAddr.07': u27.5i ;9
 BAddr.07': u24.5i ;9
 BAddr.07': #R17.1o ;21

BAddr.07z': u46.9o, #TP052.1i ;5
 BAddr.07z': #R17.2i ;21

Bank0': v57.11i ;1
 Bank0': v08.3i, v08.12o, v00.1i ;4
 Bank0': v24.3i ;4

Bank0: v24.1i ;4
 Bank0: v00.2o ;4

Bank0Disp: v08.6o, u94.2i ;4

Bank1': v08.8o, v09.1i ;4

Bank1MRef: v09.12o, u94.5i ;4

XEROX	PROPRIETARY NOTE ON COVER SHEET APPLIES TO ALL SHEETS		DWG SIZE A4	DWG NO. 156P11940	SHEET REV. A
	TITLE SCHEMATIC, MCC-X		SHEET 31	OF	

Bank2': v09.6o, v10.2i ;4
 Bank2CRef: v10.3o, u94.10i ;4
 Bank3': v09.8o, v10.5i ;4
 Bank3CRef: v10.6o, u94.13i ;4
 CAddr.00': u68.9i ;10
 CAddr.00': u64.9i ;10
 CAddr.00': u60.9i ;10
 CAddr.00': u56.9i ;10
 CAddr.00': u55.9i ;10
 CAddr.00': u59.9i ;10
 CAddr.00': u63.9i ;10
 CAddr.00': u67.9i ;10
 CAddr.00': u66.9i ;10
 CAddr.00': u62.9i ;10
 CAddr.00': u58.9i ;10
 CAddr.00': u54.9i ;10
 CAddr.00': u53.9i ;10
 CAddr.00': u57.9i ;10
 CAddr.00': u61.9i ;10
 CAddr.00': u65.9i ;10
 CAddr.00': u52.9i ;11
 CAddr.00': u49.9i ;11
 CAddr.00': u48.9i ;11
 CAddr.00': u51.9i ;11
 CAddr.00': u50.9i ;11
 CAddr.00': u47.9i ;11
 CAddr.00': #R36.1o ;21

CAddr.00z': u69.18o, #TP053.1i ;5
 CAddr.00z': #R36.2i ;21

CAddr.01': u68.13i ;10
 CAddr.01': u64.13i ;10
 CAddr.01': u60.13i ;10
 CAddr.01': u56.13i ;10
 CAddr.01': u55.13i ;10
 CAddr.01': u59.13i ;10
 CAddr.01': u63.13i ;10
 CAddr.01': u67.13i ;10
 CAddr.01': u66.13i ;10
 CAddr.01': u62.13i ;10
 CAddr.01': u58.13i ;10
 CAddr.01': u54.13i ;10
 CAddr.01': u53.13i ;10
 CAddr.01': u57.13i ;10
 CAddr.01': u61.13i ;10
 CAddr.01': u65.13i ;10
 CAddr.01': u52.13i ;11
 CAddr.01': u49.13i ;11
 CAddr.01': u48.13i ;11
 CAddr.01': u51.13i ;11
 CAddr.01': u50.13i ;11
 CAddr.01': u47.13i ;11
 CAddr.01': #R32.1o ;21

CAddr.01z': u69.16o, #TP054.1i ;5
 CAddr.01z': #R32.2i ;21

CAddr.02': u68.10i ;10
 CAddr.02': u64.10i ;10
 CAddr.02': u60.10i ;10
 CAddr.02': u56.10i ;10
 CAddr.02': u55.10i ;10
 CAddr.02': u59.10i ;10
 CAddr.02': u63.10i ;10
 CAddr.02': u67.10i ;10
 CAddr.02': u66.10i ;10
 CAddr.02': u62.10i ;10
 CAddr.02': u58.10i ;10
 CAddr.02': u54.10i ;10
 CAddr.02': u53.10i ;10
 CAddr.02': u57.10i ;10
 CAddr.02': u61.10i ;10
 CAddr.02': u65.10i ;10
 CAddr.02': u52.10i ;11
 CAddr.02': u49.10i ;11
 CAddr.02': u48.10i ;11
 CAddr.02': u51.10i ;11
 CAddr.02': u50.10i ;11
 CAddr.02': u47.10i ;11
 CAddr.02': #R35.1o ;21

CAddr.02z': u69.14o, #TP055.1i ;5
 CAddr.02z': #R35.2i ;21

CAddr.03': u68.11i ;10
 CAddr.03': u64.11i ;10
 CAddr.03': u60.11i ;10
 CAddr.03': u56.11i ;10
 CAddr.03': u55.11i ;10
 CAddr.03': u59.11i ;10
 CAddr.03': u63.11i ;10
 CAddr.03': u67.11i ;10
 CAddr.03': u66.11i ;10
 CAddr.03': u62.11i ;10
 CAddr.03': u58.11i ;10
 CAddr.03': u54.11i ;10
 CAddr.03': u53.11i ;10
 CAddr.03': u57.11i ;10
 CAddr.03': u61.11i ;10
 CAddr.03': u65.11i ;10
 CAddr.03': u52.11i ;11
 CAddr.03': u49.11i ;11
 CAddr.03': u48.11i ;11
 CAddr.03': u51.11i ;11
 CAddr.03': u50.11i ;11
 CAddr.03': u47.11i ;11
 CAddr.03': #R34.1o ;21

CAddr.03z': u69.12o, #TP056.1i ;5
 CAddr.03z': #R34.2i ;21

CAddr.04': u68.12i ;10

XEROX	PROPRIETARY NOTE ON COVER SHEET APPLIES TO ALL SHEETS		DWG SIZE A4	DWG NO. 156P11940	SHEET REV. A
	TITLE SCHEMATIC, MCC-X		SHEET 32	OF	

CAddr.04': u64.12i ;10
CAddr.04': u60.12i ;10
CAddr.04': u56.12i ;10
CAddr.04': u55.12i ;10
CAddr.04': u59.12i ;10
CAddr.04': u63.12i ;10
CAddr.04': u67.12i ;10
CAddr.04': u66.12i ;10
CAddr.04': u62.12i ;10
CAddr.04': u58.12i ;10
CAddr.04': u54.12i ;10
CAddr.04': u53.12i ;10
CAddr.04': u57.12i ;10
CAddr.04': u61.12i ;10
CAddr.04': u65.12i ;10
CAddr.04': u52.12i ;11
CAddr.04': u49.12i ;11
CAddr.04': u48.12i ;11
CAddr.04': u51.12i ;11
CAddr.04': u50.12i ;11
CAddr.04': u47.12i ;11
CAddr.04': #R33.1o ;21

CAddr.04z': u69.3o, #TP057.1i ;5
CAddr.04z': #R33.2i ;21

CAddr.05': u68.6i ;10
CAddr.05': u64.6i ;10
CAddr.05': u60.6i ;10
CAddr.05': u56.6i ;10
CAddr.05': u55.6i ;10
CAddr.05': u59.6i ;10
CAddr.05': u63.6i ;10
CAddr.05': u67.6i ;10
CAddr.05': u66.6i ;10
CAddr.05': u62.6i ;10
CAddr.05': u58.6i ;10
CAddr.05': u54.6i ;10
CAddr.05': u53.6i ;10
CAddr.05': u57.6i ;10
CAddr.05': u61.6i ;10
CAddr.05': u65.6i ;10
CAddr.05': u52.6i ;11
CAddr.05': u49.6i ;11
CAddr.05': u51.6i ;11
CAddr.05': u48.6i ;11
CAddr.05': u47.6i ;11
CAddr.05': u50.6i ;11
CAddr.05': #R30.1o ;21

CAddr.05z': u69.5o, #TP058.1i ;5
CAddr.05z': #R30.2i ;21

CAddr.06': u68.7i ;10
CAddr.06': u64.7i ;10
CAddr.06': u60.7i ;10
CAddr.06': u56.7i ;10
CAddr.06': u55.7i ;10
CAddr.06': u59.7i ;10

CAddr.06': u63.7i ;10
CAddr.06': u67.7i ;10
CAddr.06': u66.7i ;10
CAddr.06': u62.7i ;10
CAddr.06': u58.7i ;10
CAddr.06': u54.7i ;10
CAddr.06': u53.7i ;10
CAddr.06': u57.7i ;10
CAddr.06': u61.7i ;10
CAddr.06': u65.7i ;10
CAddr.06': u52.7i ;11
CAddr.06': u49.7i ;11
CAddr.06': u48.7i ;11
CAddr.06': u51.7i ;11
CAddr.06': u50.7i ;11
CAddr.06': u47.7i ;11
CAddr.06': #R31.1o ;21

CAddr.06z': u69.7o, #TP059.1i ;5
CAddr.06z': #R31.2i ;21

CAddr.07': u68.5i ;10
CAddr.07': u64.5i ;10
CAddr.07': u60.5i ;10
CAddr.07': u56.5i ;10
CAddr.07': u55.5i ;10
CAddr.07': u59.5i ;10
CAddr.07': u63.5i ;10
CAddr.07': u67.5i ;10
CAddr.07': u66.5i ;10
CAddr.07': u62.5i ;10
CAddr.07': u58.5i ;10
CAddr.07': u54.5i ;10
CAddr.07': u53.5i ;10
CAddr.07': u57.5i ;10
CAddr.07': u61.5i ;10
CAddr.07': u65.5i ;10
CAddr.07': u52.5i ;11
CAddr.07': u49.5i ;11
CAddr.07': u48.5i ;11
CAddr.07': u51.5i ;11
CAddr.07': u50.5i ;11
CAddr.07': u47.5i ;11
CAddr.07': #R29.1o ;21

CAddr.07z': u69.9o, #TP060.1i ;5
CAddr.07z': #R29.2i ;21

CAS/CRef': v43.11o, v75.2i, v75.1i ;4

CAS: E6, v43.13i ;4
CAS: #R85.2i, #R83.2i ;22

CASA': u22.15i ;6
CASA': u21.15i ;6
CASA': u20.15i ;6
CASA': u19.15i ;6
CASA': u18.15i ;6
CASA': u17.15i ;6

XEROX	PROPRIETARY NOTE ON COVER SHEET APPLIES TO ALL SHEETS		DWG SIZE A4	DWG NO. 156P11940	SHEET REV. A
	TITLE SCHEMATIC, MCC-X		SHEET 33	OF	

CASA': u16.15i ;6
 CASA': u15.15i ;6
 CASA': u11.15i ;6
 CASA': u12.15i ;6
 CASA': u13.15i ;6
 CASA': u14.15i ;6
 CASA': u10.15i ;6
 CASA': u09.15i ;6
 CASA': u08.15i ;6
 CASA': u07.15i ;6
 CASA': u06.15i ;7
 CASA': u05.15i ;7
 CASA': u04.15i ;7
 CASA': u01.15i ;7
 CASA': u02.15i ;7
 CASA': u03.15i ;7
 CASA': #R4.1o ;21

CASAz': u70.18o, #TP027.1i ;4
 CASAz': #R4.2i ;21

CASB': u45.15i ;8
 CASB': u41.15i ;8
 CASB': u37.15i ;8
 CASB': u33.15i ;8
 CASB': u32.15i ;8
 CASB': u36.15i ;8
 CASB': u40.15i ;8
 CASB': u44.15i ;8
 CASB': u43.15i ;8
 CASB': u39.15i ;8
 CASB': u35.15i ;8
 CASB': u31.15i ;8
 CASB': u30.15i ;8
 CASB': u34.15i ;8
 CASB': u38.15i ;8
 CASB': u42.15i ;8
 CASB': u29.15i ;9
 CASB': u28.15i ;9
 CASB': u27.15i ;9
 CASB': u24.15i ;9
 CASB': u25.15i ;9
 CASB': u26.15i ;9
 CASB': #R16.1o ;21

CASBz': u70.16o, #TP028.1i ;4
 CASBz': #R16.2i ;21

CASC': u68.15i ;10
 CASC': u64.15i ;10
 CASC': u60.15i ;10
 CASC': u56.15i ;10
 CASC': u55.15i ;10
 CASC': u59.15i ;10
 CASC': u63.15i ;10
 CASC': u67.15i ;10
 CASC': u66.15i ;10
 CASC': u62.15i ;10
 CASC': u58.15i ;10

CASC': u54.15i ;10
 CASC': u53.15i ;10
 CASC': u57.15i ;10
 CASC': u61.15i ;10
 CASC': u65.15i ;10
 CASC': u52.15i ;11
 CASC': u51.15i ;11
 CASC': u50.15i ;11
 CASC': u49.15i ;11
 CASC': u48.15i ;11
 CASC': u47.15i ;11
 CASC': #R28.1o ;21

CASCz': u70.14o, #TP029.1i ;4
 CASCz': #R28.2i ;21

CASD': u92.15i ;12
 CASD': u91.15i ;12
 CASD': u90.15i ;12
 CASD': u89.15i ;12
 CASD': u85.15i ;12
 CASD': u86.15i ;12
 CASD': u87.15i ;12
 CASD': u88.15i ;12
 CASD': u84.15i ;12
 CASD': u83.15i ;12
 CASD': u82.15i ;12
 CASD': u81.15i ;12
 CASD': u80.15i ;12
 CASD': u79.15i ;12
 CASD': u78.15i ;12
 CASD': u77.15i ;12
 CASD': u76.15i ;13
 CASD': u75.15i ;13
 CASD': u74.15i ;13
 CASD': u71.15i ;13
 CASD': u72.15i ;13
 CASD': u73.15i ;13
 CASD': #R40.1o ;21

CASDz': u70.12o, #TP030.1i ;4
 CASDz': #R40.2i ;21

CasLatch: v67.11i ;2
 CasLatch: v44.11i ;2
 CasLatch: v61.11i ;2
 CasLatch: v00.4o ;3

Clr0': v34.15o, v32.6i ;19
 Clr1': v34.14o, v32.3i, v32.2i ;19
 Clr2': v34.13o, v32.15i ;19
 Clr3': v34.12o, v32.12i, v32.11i ;19
 Clr4': v34.11o, v31.6i ;19
 Clr5': v34.10o, v31.2i, v31.3i ;19

XEROX	PROPRIETARY NOTE ON COVER SHEET APPLIES TO ALL SHEETS		DWG SIZE A4	DWG NO. 156P11940	SHEET REV. A
	TITLE SCHEMATIC, MCC-X		SHEET 34	OF	

C1r6': v34.9o, v31.15i ;19
 C1r7': v34.7o, v31.11i, v31.12i ;19
 CRefresh': u98.8o, E116 ;1
 CRefresh': v73.8i ;2
 CRefresh': v15.1i, v15.19i ;2
 CRefresh': u99.13i ;4
 CRefresh': v43.12i ;4
 CRefresh': v08.4i ;4
 CRefresh': v09.2i ;4
 CRefresh': v10.4i ;4
 CRefresh': v10.1i ;4

 CRefresh: u98.9o ;1
 CRefresh: v61.1i ;2
 CRefresh: v57.2i, v57.5i ;3

 Cyc3C1k': u98.11i, u97.11i, u99.6o ;1
 Cyc3C1k': u98.3i

 Cycle1': E2, v13.9i ;1

 Cycle2': E3, v58.6i ;1
 Cycle2': v73.9i ;2

 Cycle2: v58.14o, v23.10i ;1

 Cycle3': E4, v58.2i ;1

 Cycle3: v58.18o, u99.4i ;1
 Cycle3: v23.4i ;1
 Cycle3: v43.10i ;1

 DAddr.00': u92.9i ;12
 DAddr.00': u88.9i ;12
 DAddr.00': u84.9i ;12
 DAddr.00': u80.9i ;12
 DAddr.00': u79.9i ;12
 DAddr.00': u83.9i ;12
 DAddr.00': u87.9i ;12
 DAddr.00': u91.9i ;12
 DAddr.00': u90.9i ;12
 DAddr.00': u86.9i ;12
 DAddr.00': u82.9i ;12
 DAddr.00': u78.9i ;12
 DAddr.00': u77.9i ;12
 DAddr.00': u81.9i ;12
 DAddr.00': u85.9i ;12
 DAddr.00': u89.9i ;12
 DAddr.00': u76.9i ;13
 DAddr.00': u73.9i ;13
 DAddr.00': u72.9i ;13
 DAddr.00': u75.9i ;13
 DAddr.00': u74.9i ;13
 DAddr.00': u71.9i ;13
 DAddr.00': #R48.1o ;21

DAddr.00z': u93.18o, #TP061.1i ;5
 DAddr.00z': #R48.2i ;21

 DAddr.01': u92.13i ;12
 DAddr.01': u88.13i ;12
 DAddr.01': u84.13i ;12
 DAddr.01': u80.13i ;12
 DAddr.01': u79.13i ;12
 DAddr.01': u83.13i ;12
 DAddr.01': u87.13i ;12
 DAddr.01': u91.13i ;12
 DAddr.01': u90.13i ;12
 DAddr.01': u86.13i ;12
 DAddr.01': u82.13i ;12
 DAddr.01': u78.13i ;12
 DAddr.01': u77.13i ;12
 DAddr.01': u81.13i ;12
 DAddr.01': u85.13i ;12
 DAddr.01': u89.13i ;12
 DAddr.01': u76.13i ;13
 DAddr.01': u73.13i ;13
 DAddr.01': u72.13i ;13
 DAddr.01': u75.13i ;13
 DAddr.01': u74.13i ;13
 DAddr.01': u71.13i ;13
 DAddr.01': #R44.1o ;21

 DAddr.01z': u93.16o, #TP062.1i ;5
 DAddr.01z': #R44.2i ;21

 DAddr.02': u92.10i ;12
 DAddr.02': u88.10i ;12
 DAddr.02': u84.10i ;12
 DAddr.02': u80.10i ;12
 DAddr.02': u79.10i ;12
 DAddr.02': u83.10i ;12
 DAddr.02': u87.10i ;12
 DAddr.02': u91.10i ;12
 DAddr.02': u90.10i ;12
 DAddr.02': u86.10i ;12
 DAddr.02': u82.10i ;12
 DAddr.02': u78.10i ;12
 DAddr.02': u77.10i ;12
 DAddr.02': u81.10i ;12
 DAddr.02': u85.10i ;12
 DAddr.02': u89.10i ;12
 DAddr.02': u76.10i ;13
 DAddr.02': u73.10i ;13
 DAddr.02': u72.10i ;13
 DAddr.02': u75.10i ;13
 DAddr.02': u74.10i ;13
 DAddr.02': u71.10i ;13
 DAddr.02': #R47.1o ;21

 DAddr.02z': u93.14o, #TP063.1i ;5
 DAddr.02z': #R47.2i ;21

 DAddr.03': u92.11i ;12
 DAddr.03': u88.11i ;12

XEROX	PROPRIETARY NOTE ON COVER SHEET APPLIES TO ALL SHEETS		DWG SIZE	DWG NO. 156P11940	SHEET REV. A
	TITLE SCHEMATIC, MCC-X		A4	SHEET 35 OF	

DAddr.03': u84.11i ;12
 DAddr.03': u80.11i ;12
 DAddr.03': u79.11i ;12
 DAddr.03': u83.11i ;12
 DAddr.03': u87.11i ;12
 DAddr.03': u91.11i ;12
 DAddr.03': u90.11i ;12
 DAddr.03': u86.11i ;12
 DAddr.03': u82.11i ;12
 DAddr.03': u78.11i ;12
 DAddr.03': u77.11i ;12
 DAddr.03': u81.11i ;12
 DAddr.03': u85.11i ;12
 DAddr.03': u89.11i ;12
 DAddr.03': u76.11i ;13
 DAddr.03': u73.11i ;13
 DAddr.03': u72.11i ;13
 DAddr.03': u75.11i ;13
 DAddr.03': u74.11i ;13
 DAddr.03': u71.11i ;13
 DAddr.03': #R46.1o ;21

DAddr.03z': u93.12o, #TP064.1i ;5
 DAddr.03z': #R46.2i ;21

DAddr.04': u92.12i ;12
 DAddr.04': u88.12i ;12
 DAddr.04': u84.12i ;12
 DAddr.04': u80.12i ;12
 DAddr.04': u79.12i ;12
 DAddr.04': u83.12i ;12
 DAddr.04': u87.12i ;12
 DAddr.04': u91.12i ;12
 DAddr.04': u90.12i ;12
 DAddr.04': u86.12i ;12
 DAddr.04': u82.12i ;12
 DAddr.04': u78.12i ;12
 DAddr.04': u77.12i ;12
 DAddr.04': u81.12i ;12
 DAddr.04': u85.12i ;12
 DAddr.04': u89.12i ;12
 DAddr.04': u76.12i ;13
 DAddr.04': u73.12i ;13
 DAddr.04': u72.12i ;13
 DAddr.04': u75.12i ;13
 DAddr.04': u74.12i ;13
 DAddr.04': u71.12i ;13
 DAddr.04': #R45.1o ;21

DAddr.04z': u93.3o, #TP065.1i ;5
 DAddr.04z': #R45.2i ;21

DAddr.05': u92.6i ;12
 DAddr.05': u88.6i ;12
 DAddr.05': u84.6i ;12
 DAddr.05': u80.6i ;12
 DAddr.05': u79.6i ;12
 DAddr.05': u83.6i ;12
 DAddr.05': u87.6i ;12

DAddr.05': u91.6i ;12
 DAddr.05': u90.6i ;12
 DAddr.05': u86.6i ;12
 DAddr.05': u82.6i ;12
 DAddr.05': u78.6i ;12
 DAddr.05': u77.6i ;12
 DAddr.05': u81.6i ;12
 DAddr.05': u85.6i ;12
 DAddr.05': u89.6i ;12
 DAddr.05': u76.6i ;13
 DAddr.05': u73.6i ;13
 DAddr.05': u72.6i ;13
 DAddr.05': u75.6i ;13
 DAddr.05': u74.6i ;13
 DAddr.05': u71.6i ;13
 DAddr.05': #R42.1o ;21

DAddr.05z': u93.5o, #TP066.1i ;5
 DAddr.05z': #R42.2i ;21

DAddr.06': u92.7i ;12
 DAddr.06': u88.7i ;12
 DAddr.06': u84.7i ;12
 DAddr.06': u80.7i ;12
 DAddr.06': u79.7i ;12
 DAddr.06': u83.7i ;12
 DAddr.06': u87.7i ;12
 DAddr.06': u91.7i ;12
 DAddr.06': u90.7i ;12
 DAddr.06': u86.7i ;12
 DAddr.06': u82.7i ;12
 DAddr.06': u78.7i ;12
 DAddr.06': u77.7i ;12
 DAddr.06': u81.7i ;12
 DAddr.06': u85.7i ;12
 DAddr.06': u89.7i ;12
 DAddr.06': u76.7i ;13
 DAddr.06': u73.7i ;13
 DAddr.06': u72.7i ;13
 DAddr.06': u75.7i ;13
 DAddr.06': u74.7i ;13
 DAddr.06': u71.7i ;13
 DAddr.06': #R43.1o ;21

DAddr.06z': u93.7o, #TP067.1i ;5
 DAddr.06z': #R43.2i ;21

DAddr.07': u92.5i ;12
 DAddr.07': u88.5i ;12
 DAddr.07': u84.5i ;12
 DAddr.07': u80.5i ;12
 DAddr.07': u79.5i ;12
 DAddr.07': u83.5i ;12
 DAddr.07': u87.5i ;12
 DAddr.07': u91.5i ;12
 DAddr.07': u90.5i ;12
 DAddr.07': u86.5i ;12
 DAddr.07': u82.5i ;12
 DAddr.07': u78.5i ;12

DAddr.07': u77.5i ;12
 DAddr.07': u81.5i ;12
 DAddr.07': u85.5i ;12
 DAddr.07': u89.5i ;12
 DAddr.07': u76.5i ;13
 DAddr.07': u73.5i ;13
 DAddr.07': u72.5i ;13
 DAddr.07': u75.5i ;13
 DAddr.07': u74.5i ;13
 DAddr.07': u71.5i ;13
 DAddr.07': #R41.1o ;21

DAddr.07z': u93.9o, #TP068.1i ;5
 DAddr.07z': #R41.2i ;21

DData.00: u95.18o, E76 ;16
 DData.01: u95.16o, E176 ;16
 DData.02: u95.14o, E77 ;16
 DData.03: u95.12o, E177 ;16
 DData.04: u95.3o, E78 ;16
 DData.05: u95.5o, E178 ;16
 DData.06: u95.7o, E79 ;16
 DData.07: u95.9o, E179 ;16
 DData.08: u96.18o, E81 ;16
 DData.09: u96.16o, E181 ;16
 DData.10: u96.14o, E82 ;16
 DData.11: u96.12o, E182 ;16
 DData.12: u96.3o, E83 ;16
 DData.13: u96.5o, E183 ;16
 DData.14: u96.7o, E84 ;16
 DData.15: u96.9o, E184 ;16
 delLRAS: v57.3i, v59.6i ;3
 delRas5: v00.3i, v25.12o ;3
 delRAS: v25.6i, v57.6i ;3
 Disp/Proc.'': v23.13i ;1
 Disp/Proc.'': v13.4o, v08.5i ;4
 Disp/Proc.': v64.2i, v65.2i ;3
 Disp/Proc.': v66.2i, v63.2i
 Disp/Proc.': E66, v13.5i ;4

DispAddr.00: E67, v66.3i ;3
 DispAddr.01: E167, v66.13i ;3
 DispAddr.02: E68, v65.3i ;3
 DispAddr.03: E168, v65.13i ;3
 DispAddr.04: E69, v64.3i ;3
 DispAddr.05: E169, v64.13i ;3
 DispAddr.06: E71, v63.3i ;3
 DispAddr.07: E171, v63.13i ;3
 DispAddr.08: E72, v66.4i ;3
 DispAddr.09: E172, v66.12i ;3
 DispAddr.10: E73, v65.4i ;3
 DispAddr.11: E173, v65.12i ;3
 DispAddr.12: E74, v64.4i ;3
 DispAddr.13: E174, v64.12i ;3
 DispAddr.14: E75, v63.4i ;3
 DispAddr.15: E175, v63.12i ;3
 EnStgBrd': v10.11o, v00.11i ;4
 EnStgBrd: v00.10o, E12 ;4
 GND: v67.1i ;2
 GND: v44.1i ;2
 GND: v46.1i, v47.15i, v47.1i ;3
 GND: v48.15i, v48.1i, v49.15i
 GND: v49.1i, v63.15i, v63.1i
 GND: v64.15i, v64.1i, v65.15i
 GND: v65.1i, v66.15i, v66.1i
 GND: v46.15i
 GND: u70.1i ;4
 GND: v13.6i ;4
 GND: v58.1i, v58.19i ;4
 GND: v60.1i, v60.19i ;4
 GND: u23.19i ;5
 GND: u23.1i ;5
 GND: u69.1i ;5
 GND: u69.19i ;5
 GND: u93.19i ;5
 GND: u93.1i ;5
 GND: u46.1i ;5
 GND: u46.19i ;5
 GND: u70.19i ;5
 GND: u22.16i ;7

XEROX	PROPRIETARY NOTE ON COVER SHEET APPLIES TO ALL SHEETS		DWG SIZE A4	DWG NO. 156P11940	SHEET REV. A
	TITLE SCHEMATIC, MCC-X			SHEET 37 OF	

GND: u21.16i ;7
 GND: u20.16i ;7
 GND: u19.16i ;7
 GND: u18.16i ;7
 GND: u13.16i ;7
 GND: u14.16i ;7
 GND: u15.16i ;7
 GND: u16.16i ;7
 GND: u17.16i ;7
 GND: u12.16i ;7
 GND: u11.16i ;7
 GND: u10.16i ;7
 GND: u09.16i ;7
 GND: u08.16i ;7
 GND: u03.16i ;7
 GND: u04.16i ;7
 GND: u05.16i ;7
 GND: u06.16i ;7
 GND: u07.16i ;7
 GND: u02.16i ;7
 GND: u01.16i ;7
 GND: u40.16i ;9
 GND: u39.16i ;9
 GND: u38.16i ;9
 GND: u37.16i ;9
 GND: u36.16i ;9
 GND: u35.16i ;9
 GND: u34.16i ;9
 GND: u33.16i ;9
 GND: u32.16i ;9
 GND: u31.16i ;9
 GND: u26.16i ;9
 GND: u27.16i ;9
 GND: u28.16i ;9
 GND: u29.16i ;9
 GND: u30.16i ;9
 GND: u25.16i ;9
 GND: u24.16i ;9
 GND: u41.16i ;9
 GND: u42.16i ;9
 GND: u43.16i ;9
 GND: u44.16i ;9
 GND: u45.16i ;9
 GND: u63.16i ;11
 GND: u62.16i ;11
 GND: u61.16i ;11
 GND: u60.16i ;11
 GND: u65.16i ;11
 GND: u66.16i ;11
 GND: u67.16i ;11
 GND: u68.16i ;11
 GND: u58.16i ;11
 GND: u57.16i ;11
 GND: u56.16i ;11
 GND: u55.16i ;11
 GND: u50.16i ;11
 GND: u51.16i ;11
 GND: u52.16i ;11
 GND: u53.16i ;11

GND: u48.16i ;11
 GND: u47.16i ;11
 GND: u64.16i ;11
 GND: u59.16i ;11
 GND: u54.16i ;11
 GND: u49.16i ;11
 GND: u88.16i ;13
 GND: u83.16i ;13
 GND: u78.16i ;13
 GND: u73.16i ;13
 GND: u71.16i ;13
 GND: u72.16i ;13
 GND: u74.16i ;13
 GND: u79.16i ;13
 GND: u84.16i ;13
 GND: u89.16i ;13
 GND: u90.16i ;13
 GND: u85.16i ;13
 GND: u80.16i ;13
 GND: u75.16i ;13
 GND: u76.16i ;13
 GND: u81.16i ;13
 GND: u86.16i ;13
 GND: u91.16i ;13
 GND: u92.16i ;13
 GND: u87.16i ;13
 GND: u82.16i ;13
 GND: u77.16i ;13
 GND: v45.1i ;14
 GND: v62.1i ;14
 GND: v50.1i ;14
 GND: u95.1i, u96.1i ;16
 GND: v40.13i ;17
 GND: v40.12i ;17
 GND: v40.11i ;17
 GND: v04.16i ;22
 GND: v01.16i ;22
 GND: v03.16i ;22
 GND: v02.16i ;22
 GND: #R82.1i, #R86.1i, #R78.1i ;22
 GND: #R81.1i, #R85.1i
 GND: E90, E80, E70, E60, E40, E30 ;23
 GND: E20, E10, E110, E120, E130
 GND: E140, E160, E170, E180, E190
 GND: #C133.2i, #C134.2i, #C135.2i
 GND: #C132.2i, #C131.2i, #C130.2i
 GND: #C16.2o, #C15.2o, #C14.2o ;24
 GND: #C13.2o, #C12.2o, #C11.2o
 GND: #C10.2o, #C9.2o, #C8.2o
 GND: #C7.2o, #C6.2o, #C5.2o
 GND: #C4.2o, #C3.2o, #C2.2o
 GND: #C1.2o
 GND: #C32.2o, #C31.2o, #C30.2o ;24
 GND: #C29.2o, #C28.2o, #C27.2o
 GND: #C26.2o, #C25.2o, #C24.2o
 GND: #C23.2o, #C22.2o, #C21.2o
 GND: #C20.2o, #C19.2o, #C18.2o
 GND: #C17.2o
 GND: #C48.2o, #C47.2o, #C46.2o ;24

XEROX	PROPRIETARY NOTE ON COVER SHEET APPLIES TO ALL SHEETS		DWG SIZE A4	DWG NO. 156P11940	SHEET REV. A
	TITLE SCHEMATIC, MCC-X		SHEET 38	OF	

GND: #C45.2o, #C44.2o, #C43.2o	LatchY.01: #TP008.1i ;2
GND: #C42.2o, #C41.2o, #C40.2o	LatchY.01: v49.12i ;3
GND: #C39.2o, #C38.2o, #C37.2o	
GND: #C36.2o, #C35.2o, #C34.2o	LatchY.02: v67.6o ;2
GND: #C33.2o	LatchY.02: #TP009.1i ;2
GND: #C64.2o, #C63.2o, #C62.2o ;24	LatchY.02: v48.4i ;3
GND: #C61.2o, #C60.2o, #C59.2o	
GND: #C58.2o, #C57.2o, #C56.2o	LatchY.03: v67.9o ;2
GND: #C55.2o, #C54.2o, #C53.2o	LatchY.03: #TP010.1i ;2
GND: #C52.2o, #C51.2o, #C50.2o	LatchY.03: v48.12i ;3
GND: #C49.2o	
GND: #C80.2o, #C79.2o, #C78.2o ;25	LatchY.04: v67.12o ;2
GND: #C77.2o, #C76.2o, #C75.2o	LatchY.04: #TP011.1i ;2
GND: #C74.2o, #C73.2o, #C72.2o	LatchY.04: v47.4i ;3
GND: #C71.2o, #C70.2o, #C69.2o	
GND: #C68.2o, #C67.2o, #C66.2o	LatchY.05: v67.15o ;2
GND: #C65.2o	LatchY.05: #TP012.1i ;2
GND: #C96.2o, #C95.2o, #C94.2o ;25	LatchY.05: v47.12i ;3
GND: #C93.2o, #C92.2o, #C91.2o	
GND: #C90.2o, #C89.2o, #C88.2o	LatchY.06: v67.16o ;2
GND: #C87.2o, #C86.2o, #C85.2o	LatchY.06: #TP013.1i ;2
GND: #C84.2o, #C83.2o, #C82.2o	LatchY.06: v46.4i ;3
GND: #C81.2o	
GND: #C112.2o, #C111.2o, #C110.2o ;25	LatchY.07: v67.19o ;2
GND: #C109.2o, #C108.2o, #C107.2o	LatchY.07: #TP014.1i ;2
GND: #C106.2o, #C105.2o, #C104.2o	LatchY.07: v46.12i ;3
GND: #C103.2o, #C102.2o, #C101.2o	
GND: #C100.2o, #C99.2o, #C98.2o	LatchY.08: v15.9o, v61.2o ;2
GND: #C97.2o	LatchY.08: #TP015.1i ;2
GND: #C129.2o, #C128.2o, #C127.2o ;25	LatchY.08: v66.6i ;3
GND: #C126.2o, #C125.2o, #C124.2o	LatchY.08: v49.6i ;3
GND: #C123.2o, #C122.2o, #C121.2o	LatchY.08: v69.5i ;20
GND: #C120.2o, #C119.2o, #C118.2o	
GND: #C117.2o, #C116.2o, #C115.2o	LatchY.09: v15.18o, v61.5o ;2
GND: #C114.2o, #C113.2o	LatchY.09: #TP016.1i ;2
	LatchY.09: v66.10i ;3
IncRefCntr: v73.10o, v14.13i ;2	LatchY.09: v49.10i ;3
	LatchY.09: v69.11i ;20
InhibitCorrect: v45.19o, #TP069.1i ;14	
InhibitCorrect: v18.4i, v17.4i ;18	LatchY.10: v15.16o, v61.6o ;2
InhibitCorrect: v16.4i, v19.4i	LatchY.10: #TP017.1i ;2
	LatchY.10: v65.6i ;3
InvertCkBitA: v45.2o, v11.13i ;14	LatchY.10: v48.6i ;3
	LatchY.10: v69.14i ;20
InvertCkBitB: v45.5o, v26.13i ;14	
	LatchY.11: v15.14o, v61.9o ;2
InvertCkBitC: v45.6o, v27.13i ;14	LatchY.11: #TP018.1i ;2
	LatchY.11: v65.10i ;3
InvertCkBitD: v45.9o, v28.13i ;14	LatchY.11: v48.10i ;3
	LatchY.11: v68.2i ;20
InvertCkBitE: v45.12o, v29.13i ;14	
	LatchY.12: v15.12o, v61.12o ;2
InvertCkBitF: v45.15o, v30.13i ;14	LatchY.12: #TP019.1i ;2
	LatchY.12: v47.6i ;3
LatchY.00: v67.2o ;2	LatchY.12: v64.6i ;3
LatchY.00: #TP007.1i ;2	
LatchY.00: v49.4i ;3	LatchY.13: v15.3o, v61.15o ;2
	LatchY.13: #TP020.1i ;2
LatchY.01: v67.5o ;2	LatchY.13: v64.10i ;3

XEROX	PROPRIETARY NOTE ON COVER SHEET APPLIES TO ALL SHEETS		DWG SIZE A4	DWG NO. 156P11940	SHEET REV. A
	TITLE SCHEMATIC, MCC-X		SHEET 39	OF	

LatchY.13: v47.10i ;3
 LatchY.13: v68.5i ;20
 LatchY.14: v15.5o, v61.16o ;2
 LatchY.14: #TP021.1i ;2
 LatchY.14: v63.6i ;3
 LatchY.14: v46.6i ;3
 LatchY.14: v68.11i ;20
 LatchY.15: v15.7o, v61.19o ;2
 LatchY.15: #TP022.1i ;2
 LatchY.15: v63.10i ;3
 LatchY.15: v46.10i ;3
 LatchY.15: v68.14i ;20
 LatchYH.4': v10.10i ;4
 LatchYH.4': v60.5o ;4
 LatchYH.4: #TP003.1i ;2
 LatchYH.4: v44.12o, E137 ;2
 LatchYH.4: v60.15i ;4
 LatchYH.5': v10.9i ;4
 LatchYH.5': v60.7o ;4
 LatchYH.5: #TP004.1i ;2
 LatchYH.5: v44.15o, E37 ;2
 LatchYH.5: v60.13i ;4
 LatchYH.6': v08.1i ;4
 LatchYH.6': v08.9i ;4
 LatchYH.6': v58.7o ;4
 LatchYH.6: #TP005.1i ;2
 LatchYH.6: v44.16o, E136 ;2
 LatchYH.6: v09.3i ;4
 LatchYH.6: v09.9i ;4
 LatchYH.6: v58.13i ;4
 LatchYH.7': v08.13i ;4
 LatchYH.7': v09.5i ;4
 LatchYH.7': v12.5i ;4
 LatchYH.7': v58.9o ;4
 LatchYH.7: #TP006.1i ;2
 LatchYH.7: v44.19o, E36 ;2
 LatchYH.7: v08.11i ;4
 LatchYH.7: v09.11i ;4
 LatchYH.7: v12.11i ;4
 LatchYH.7: v58.11i ;4
 LCAS/CRef': u99.11o, v76.2i ;4
 LCAS/CRef': v76.1i
 LCAS: E106, u99.12i ;4
 LCAS: #R86.2i, #R84.2i ;22
 LdMDR: v73.4o ;1
 LdMDR: v50.11i, v62.11i ;14
 LowAddr.00: v66.7o ;3
 LowAddr.00: u23.2i ;5
 LowAddr.01: v66.9o ;3
 LowAddr.01: u23.4i ;5
 LowAddr.02: v65.7o ;3
 LowAddr.02: u23.6i ;5
 LowAddr.03: v65.9o ;3
 LowAddr.03: u23.8i ;5
 LowAddr.04: v64.7o ;3
 LowAddr.04: u23.17i ;5
 LowAddr.05: v64.9o ;3
 LowAddr.05: u23.15i ;5
 LowAddr.06: v63.7o ;3
 LowAddr.06: u23.13i ;5
 LowAddr.07: v63.9o ;3
 LowAddr.07: u23.11i ;5
 LowWrite: v57.13o ;1
 LowWrite: u70.17i ;5
 LRAS': E105, v74.3i ;3
 LRAS': #R78.2i, #R77.2i ;22
 LRAS: v74.4o, v59.1i ;3
 LRAS: u94.1i ;4
 LRASselect: v64.14i, v65.14i ;3
 LRASselect: v66.14i, v57.1o
 LRASselect: v63.14i
 MapRef: E15, u99.2i ;1
 MctCyc/MRef: v24.8o, v24.4i ;4
 Mct1Addr.00: v49.7o ;3
 Mct1Addr.00: u46.2i ;5
 Mct1Addr.00: u69.2i ;5
 Mct1Addr.00: u93.2i ;5
 Mct1Addr.00: v70.2i ;20
 Mct1Addr.01: v49.9o ;3
 Mct1Addr.01: u69.4i ;5
 Mct1Addr.01: u46.4i ;5
 Mct1Addr.01: u93.4i ;5
 Mct1Addr.01: v70.4i ;20
 Mct1Addr.02: v48.7o ;3
 Mct1Addr.02: u69.6i ;5
 Mct1Addr.02: u46.6i ;5
 Mct1Addr.02: u93.6i ;5
 Mct1Addr.02: v70.6i ;20

XEROX	PROPRIETARY NOTE ON COVER SHEET APPLIES TO ALL SHEETS		DWG SIZE A4	DWG NO. 156P11940		SHEET REV. A
	TITLE SCHEMATIC, MCC-X			SHEET 40 OF		

MCtlAddr.03: v48.9o ;3
 MCtlAddr.03: u69.8i ;5
 MCtlAddr.03: u46.8i ;5
 MCtlAddr.03: u93.8i ;5
 MCtlAddr.03: v70.8i ;20

 MCtlAddr.04: v47.7o ;3
 MCtlAddr.04: u69.17i ;5
 MCtlAddr.04: u46.17i ;5
 MCtlAddr.04: u93.17i ;5
 MCtlAddr.04: v70.17i ;20

 MCtlAddr.05: v47.9o ;3
 MCtlAddr.05: u69.15i ;5
 MCtlAddr.05: u46.15i ;5
 MCtlAddr.05: u93.15i ;5
 MCtlAddr.05: v70.15i ;20

 MCtlAddr.06: v46.7o ;3
 MCtlAddr.06: u69.13i ;5
 MCtlAddr.06: u46.13i ;5
 MCtlAddr.06: u93.13i ;5
 MCtlAddr.06: v70.13i ;20

 MCtlAddr.07: v46.9o ;3
 MCtlAddr.07: u69.11i ;5
 MCtlAddr.07: u46.11i ;5
 MCtlAddr.07: u93.11i ;5
 MCtlAddr.07: v70.11i ;20

 MCtlBk0': v24.12o ;4
 MCtlBk0': v07.1i, v06.1i, v05.1i ;16
 MCtlBk0': v58.17i ;16

 MCtlBk0: v07.19i, v06.19i, v05.19i ;16
 MCtlBk0: v58.3o ;16

 MCtlBk123': v24.6o ;4
 MCtlBk123': v60.11i ;14
 MCtlBk123': v20.1i, v21.1i, v22.1i ;14

 MCtlBk123: v60.9o ;14
 MCtlBk123: v20.19i, v21.19i ;14
 MCtlBk123: v22.19i

 MCtlClk: v45.11i ;14
 MCtlClk: v43.3o ;14

 MCtlMCycle': v00.8o ;4
 MCtlMCycle': v24.11i, v24.9i ;4

 MCtlMCycle: v09.4i ;4
 MCtlMCycle: v09.10i ;4
 MCtlMCycle: v08.10i ;4
 MCtlMCycle: v57.10o, v00.9i ;4
 MCtlMCycle: v08.2i ;4
 MCtlMCycle: v24.2i ;4

MCtl←': E115, v58.8i ;14
 MCtl←': v34.5i ;19

 MCtl←: v58.12o, v43.1i ;14

 MCycle': v00.6o ;1
 MCycle': v57.8i ;4

 MCycle: v13.1o ;1
 MCycle: v00.5i ;1
 MCycle: v12.3i ;4
 MCycle: v12.9i ;4
 MCycle: v10.12i ;4

 MDClk: v23.6o ;1
 MDClk: v54.11i ;17

 MDRSet': u97.6o, v43.5i ;1

 MDR←': v73.5i, v23.8o, u97.2i ;1

 mem: E113, v23.11i ;1
 mem: v23.3i ;1
 mem: v43.9i ;1
 mem: u99.10i ;1

 MemCyc': v73.1o, v13.12i ;17

 MemCycle': u97.8o, v13.3i ;1

 MemCycle: u97.9o ;1
 MemCycle: v73.2i ;17

 MemData.00: u68.14o ;15
 MemData.00: u92.14o ;15
 MemData.00: u45.14o ;15
 MemData.00: v21.2i ;16
 MemData.00: v04.1i ;22

 MemData.01: u67.14o ;15
 MemData.01: u91.14o ;15
 MemData.01: u44.14o ;15
 MemData.01: v21.4i ;16
 MemData.01: v04.15o ;22

 MemData.02: u66.14o ;15
 MemData.02: u90.14o ;15
 MemData.02: u43.14o ;15
 MemData.02: v21.6i ;16
 MemData.02: v04.2i ;22

 MemData.03: u65.14o ;15
 MemData.03: u89.14o ;15
 MemData.03: u42.14o ;15
 MemData.03: v21.8i ;16
 MemData.03: v04.14o ;22

 MemData.04: u64.14o ;15
 MemData.04: u88.14o ;15

MemData.04: u41.14o ;15
 MemData.04: v21.17i ;16
 MemData.04: v04.3i ;22

 MemData.05: u63.14o ;15
 MemData.05: u87.14o ;15
 MemData.05: u40.14o ;15
 MemData.05: v21.15i ;16
 MemData.05: v04.13o ;22

 MemData.06: u62.14o ;15
 MemData.06: u86.14o ;15
 MemData.06: u39.14o ;15
 MemData.06: v21.13i ;16
 MemData.06: v04.4i ;22

 MemData.07: u61.14o ;15
 MemData.07: u85.14o ;15
 MemData.07: u38.14o ;15
 MemData.07: v21.11i ;16
 MemData.07: v04.12o ;22

 MemData.08: u60.14o ;15
 MemData.08: u84.14o ;15
 MemData.08: u37.14o ;15
 MemData.08: v20.2i ;16
 MemData.08: v04.5i ;22

 MemData.09: u59.14o ;15
 MemData.09: u83.14o ;15
 MemData.09: u36.14o ;15
 MemData.09: v20.4i ;16
 MemData.09: v04.11o ;22

 MemData.10: u35.14o ;15
 MemData.10: u58.14o ;15
 MemData.10: u82.14o ;15
 MemData.10: v20.6i ;16
 MemData.10: v04.6i ;22

 MemData.11: u34.14o ;15
 MemData.11: u57.14o ;15
 MemData.11: u81.14o ;15
 MemData.11: v20.8i ;16
 MemData.11: v04.10o ;22

 MemData.12: u33.14o ;15
 MemData.12: u56.14o ;15
 MemData.12: u80.14o ;15
 MemData.12: v20.17i ;16
 MemData.12: v04.7i ;22

 MemData.13: u32.14o ;15
 MemData.13: u55.14o ;15
 MemData.13: u79.14o ;15
 MemData.13: v20.15i ;16
 MemData.13: v04.9o ;22

 MemData.14: u31.14o ;15

MemData.14: u54.14o ;15
 MemData.14: u78.14o ;15
 MemData.14: v20.13i ;16
 MemData.14: v04.8i ;22

 MemData.15: u30.14o ;15
 MemData.15: u53.14o ;15
 MemData.15: u77.14o ;15
 MemData.15: v20.11i ;16
 MemData.15: v03.15o ;22

 MemData.16: u29.14o ;15
 MemData.16: u52.14o ;15
 MemData.16: u76.14o ;15
 MemData.16: v22.2i ;16
 MemData.16: v03.1i ;22

 MemData.17: u28.14o ;15
 MemData.17: u51.14o ;15
 MemData.17: u75.14o ;15
 MemData.17: v22.4i ;16
 MemData.17: v03.14o ;22

 MemData.18: u27.14o ;15
 MemData.18: u50.14o ;15
 MemData.18: u74.14o ;15
 MemData.18: v22.6i ;16
 MemData.18: v03.2i ;22

 MemData.19: u26.14o ;15
 MemData.19: u49.14o ;15
 MemData.19: u73.14o ;15
 MemData.19: v22.8i ;16
 MemData.19: v03.13o ;22

 MemData.20: u25.14o ;15
 MemData.20: u48.14o ;15
 MemData.20: u72.14o ;15
 MemData.20: v22.17i ;16
 MemData.20: v03.3i ;22

 MemData.21: u24.14o ;15
 MemData.21: u47.14o ;15
 MemData.21: u71.14o ;15
 MemData.21: v22.15i ;16
 MemData.21: v03.12o ;22

 MemDisp.00: u22.14o ;15
 MemDisp.00: u95.2i ;16
 MemDisp.00: v06.2i ;16
 MemDisp.00: v01.1i ;22

 MemDisp.01: u21.14o ;15
 MemDisp.01: u95.4i ;16
 MemDisp.01: v06.4i ;16
 MemDisp.01: v01.15o ;22

 MemDisp.02: u20.14o ;15
 MemDisp.02: u95.6i ;16

XEROX	PROPRIETARY NOTE ON COVER SHEET APPLIES TO ALL SHEETS		DWG SIZE A4	DWG NO. 156P11940		SHEET REV. A
	TITLE SCHEMATIC, MCC-X			SHEET 42	OF	

MemDisp.02: v06.6i ;16
 MemDisp.02: v01.2i ;22

 MemDisp.03: u19.14o ;15
 MemDisp.03: u95.8i ;16
 MemDisp.03: v06.8i ;16
 MemDisp.03: v01.14o ;22

 MemDisp.04: u18.14o ;15
 MemDisp.04: u95.17i ;16
 MemDisp.04: v06.17i ;16
 MemDisp.04: v01.3i ;22

 MemDisp.05: u17.14o ;15
 MemDisp.05: u95.15i ;16
 MemDisp.05: v06.15i ;16
 MemDisp.05: v01.13o ;22

 MemDisp.06: u16.14o ;15
 MemDisp.06: u95.13i ;16
 MemDisp.06: v06.13i ;16
 MemDisp.06: v01.4i ;22

 MemDisp.07: u15.14o ;15
 MemDisp.07: u95.11i ;16
 MemDisp.07: v06.11i ;16
 MemDisp.07: v01.12o ;22

 MemDisp.08: u14.14o ;15
 MemDisp.08: u96.2i ;16
 MemDisp.08: v05.2i ;16
 MemDisp.08: v01.5i ;22

 MemDisp.09: u13.14o ;15
 MemDisp.09: u96.4i ;16
 MemDisp.09: v05.4i ;16
 MemDisp.09: v01.11o ;22

 MemDisp.10: u12.14o ;15
 MemDisp.10: u96.6i ;16
 MemDisp.10: v05.6i ;16
 MemDisp.10: v01.6i ;22

 MemDisp.11: u11.14o ;15
 MemDisp.11: u96.8i ;16
 MemDisp.11: v05.8i ;16
 MemDisp.11: v01.10o ;22

 MemDisp.12: u10.14o ;15
 MemDisp.12: u96.17i ;16
 MemDisp.12: v05.17i ;16
 MemDisp.12: v01.7i ;22

 MemDisp.13: u09.14o ;15
 MemDisp.13: u96.15i ;16
 MemDisp.13: v05.15i ;16
 MemDisp.13: v01.9o ;22

 MemDisp.14: u08.14o ;15

MemDisp.14: u96.13i ;16
 MemDisp.14: v05.13i ;16
 MemDisp.14: v01.8i ;22

 MemDisp.15: u07.14o ;15
 MemDisp.15: u96.11i ;16
 MemDisp.15: v05.11i ;16
 MemDisp.15: v02.15o ;22

 MemDisp.16: u06.14o ;15
 MemDisp.16: v07.2i ;16
 MemDisp.16: v02.1i ;22

 MemDisp.17: u05.14o ;15
 MemDisp.17: v07.4i ;16
 MemDisp.17: v02.14o ;22

 MemDisp.18: u04.14o ;15
 MemDisp.18: v07.6i ;16
 MemDisp.18: v02.2i ;22

 MemDisp.19: u03.14o ;15
 MemDisp.19: v07.8i ;16
 MemDisp.19: v02.13o ;22

 MemDisp.20: u02.14o ;15
 MemDisp.20: v07.17i ;16
 MemDisp.20: v02.3i ;22

 MemDisp.21: u01.14o ;15
 MemDisp.21: v07.11i ;16
 MemDisp.21: v02.12o ;22

 MemErr': v58.15i, v12.12o ;17
 MemErr': v33.4i, v33.5i ;19

 MemErr: v54.18i, v58.5o, E166 ;17

 MRef': u98.6o, #TP001.1i ;1
 MRef': v09.13i ;4
 MRef': v24.10i ;4

 MRef: u98.5o, v13.2i ;1
 MRef: v47.2i, v48.2i, v49.2i ;3
 MRef: v46.2i
 MRef: v73.3i ;17

 P5V: E50, E51, #F1.2i, E150, E151 ;23

 pCAS: v74.10o ;4
 pCAS: u70.6i, u70.8i, u70.4i ;4

 pCASA: v74.8o ;4
 pCASA: u70.2i ;4

 ppCAS': v75.6o, v74.11i ;4

 ppCASA': v76.6o, v74.9i ;4

XEROX	PROPRIETARY NOTE ON COVER SHEET APPLIES TO ALL SHEETS		DWG SIZE A4	DWG NO. 156P11940	SHEET REV. A
	TITLE SCHEMATIC, MCC-X		SHEET 43	OF	

ppC1k: v73.6i, E9, v73.11i ;1
 ppC1k: #R81.2i, #R79.2i ;22

 pppCAS: v75.3o ;4
 pppCAS: v75.4i, v75.5i ;4

 pppCASA: v76.3o ;4
 pppCASA: v76.4i, v76.5i ;4

 preWaitC1k: v60.4i, v73.13o ;1
 preWaitC1k: v23.5i ;1
 preWaitC1k: u99.5i ;1
 preWaitC1k: v43.2i ;14
 preWaitC1k: v33.6i ;19

 Pt.0: E64, v33.3i ;19

 Pt.1: E164, v33.2i ;19

 Pt.2: E65, v33.1i ;19

 PullupA: u97.1i ;1
 PullupA: E38 ;1
 PullupA: u95.19i, u96.19i ;16
 PullupA: #R71.1o ;21

 PullupB: u97.4i, #TP070.1i ;1
 PullupB: #R72.1o ;21

 RAS': E5, v74.5i ;3
 RAS': #R82.2i, #R80.2i ;22

 RAS: v74.6o, v25.1i ;3
 RAS: u94.4i ;4
 RAS: u94.9i ;4
 RAS: u94.12i ;4

 RASA': u22.4i ;6
 RASA': u21.4i ;6
 RASA': u20.4i ;6
 RASA': u19.4i ;6
 RASA': u18.4i ;6
 RASA': u17.4i ;6
 RASA': u16.4i ;6
 RASA': u15.4i ;6
 RASA': u11.4i ;6
 RASA': u12.4i ;6
 RASA': u13.4i ;6
 RASA': u14.4i ;6
 RASA': u10.4i ;6
 RASA': u09.4i ;6
 RASA': u08.4i ;6
 RASA': u07.4i ;6
 RASA': u06.4i ;7
 RASA': u05.4i ;7
 RASA': u04.4i ;7
 RASA': u01.4i ;7
 RASA': u02.4i ;7
 RASA': u03.4i ;7

RASA': #R3.1o ;21

 RASAz': u94.3o, #TP031.1i ;4
 RASAz': #R3.2i ;21

 RASB': u45.4i ;8
 RASB': u41.4i ;8
 RASB': u37.4i ;8
 RASB': u33.4i ;8
 RASB': u32.4i ;8
 RASB': u36.4i ;8
 RASB': u40.4i ;8
 RASB': u44.4i ;8
 RASB': u43.4i ;8
 RASB': u39.4i ;8
 RASB': u35.4i ;8
 RASB': u31.4i ;8
 RASB': u30.4i ;8
 RASB': u34.4i ;8
 RASB': u38.4i ;8
 RASB': u42.4i ;8
 RASB': u29.4i ;9
 RASB': u28.4i ;9
 RASB': u27.4i ;9
 RASB': u24.4i ;9
 RASB': u25.4i ;9
 RASB': u26.4i ;9
 RASB': #R15.1o ;21

 RASBz': u94.6o, #TP032.1i ;4
 RASBz': #R15.2i ;21

 RASC': u68.4i ;10
 RASC': u64.4i ;10
 RASC': u60.4i ;10
 RASC': u56.4i ;10
 RASC': u55.4i ;10
 RASC': u59.4i ;10
 RASC': u63.4i ;10
 RASC': u67.4i ;10
 RASC': u66.4i ;10
 RASC': u62.4i ;10
 RASC': u58.4i ;10
 RASC': u54.4i ;10
 RASC': u53.4i ;10
 RASC': u57.4i ;10
 RASC': u61.4i ;10
 RASC': u65.4i ;10
 RASC': u52.4i ;11
 RASC': u51.4i ;11
 RASC': u50.4i ;11
 RASC': u49.4i ;11
 RASC': u48.4i ;11
 RASC': u47.4i ;11
 RASC': #R27.1o ;21

 RASCz': u94.8o, #TP033.1i ;4
 RASCz': #R27.2i ;21

XEROX	PROPRIETARY NOTE ON COVER SHEET APPLIES TO ALL SHEETS		DWG SIZE A4	DWG NO. 156P11940	SHEET REV. A
	TITLE SCHEMATIC, MCC-X		SHEET 44	OF	

RASD': u92.4i ;12
 RASD': u91.4i ;12
 RASD': u90.4i ;12
 RASD': u89.4i ;12
 RASD': u85.4i ;12
 RASD': u86.4i ;12
 RASD': u87.4i ;12
 RASD': u88.4i ;12
 RASD': u84.4i ;12
 RASD': u83.4i ;12
 RASD': u82.4i ;12
 RASD': u81.4i ;12
 RASD': u80.4i ;12
 RASD': u79.4i ;12
 RASD': u78.4i ;12
 RASD': u77.4i ;12
 RASD': u76.4i ;13
 RASD': u75.4i ;13
 RASD': u74.4i ;13
 RASD': u71.4i ;13
 RASD': u72.4i ;13
 RASD': u73.4i ;13
 RASD': #R39.1o ;21

 RASDz': u94.11o, #TP034.1i ;4
 RASDz': #R39.2i ;21

 RASSelect: v47.14i, v48.14i ;3
 RASSelect: v49.14i, v46.14i
 RASSelect: v57.4o
 RASSelect: v68.1i ;20
 RASSelect: v69.1i ;20

 Read.00': v38.3o, v53.2i ;18
 Read.01': v38.6o, v53.17i ;18
 Read.02': v38.8o, v53.4i ;18
 Read.03': v38.11o, v53.15i ;18
 Read.04': v37.3o, v53.6i ;18
 Read.05': v37.6o, v53.13i ;18
 Read.06': v37.8o, v53.8i ;18
 Read.07': v37.11o, v53.11i ;18
 Read.08': v36.3o, v51.2i ;18
 Read.09': v36.6o, v51.17i ;18
 Read.10': v36.8o, v51.4i ;18
 Read.11': v36.11o, v51.15i ;18
 Read.12': v35.3o, v51.6i ;18

 Read.13': v35.6o, v51.13i ;18
 Read.14': v35.8o, v51.8i ;18
 Read.15': v35.11o, v51.11i ;18
 ReadMD: v13.13o, v12.13i ;17
 RefCnt.08: v14.6o, v15.11i ;2
 RefCnt.09: v14.5o, v15.2i ;2
 RefCnt.10: v14.4o, v15.4i ;2
 RefCnt.11: v14.3o, v15.6i ;2
 RefCnt.12: v14.1i, v14.8o, v15.8i ;2
 RefCnt.13: v14.9o, v15.17i ;2
 RefCnt.14: v14.10o, v15.15i ;2
 RefCnt.15: v14.11o, v15.13i ;2

 Refresh: E16, v23.2i ;1

 RefreshA': u22.1i ;6
 RefreshA': u21.1i ;6
 RefreshA': u20.1i ;6
 RefreshA': u19.1i ;6
 RefreshA': u18.1i ;6
 RefreshA': u16.1i ;6
 RefreshA': u15.1i ;6
 RefreshA': u14.1i ;6
 RefreshA': u13.1i ;6
 RefreshA': u12.1i ;6
 RefreshA': u11.1i ;6
 RefreshA': u07.1i ;6
 RefreshA': u08.1i ;6
 RefreshA': u09.1i ;6
 RefreshA': u10.1i ;6
 RefreshA': u17.1i ;6
 RefreshA': u06.1i ;7
 RefreshA': u05.1i ;7
 RefreshA': u04.1i ;7
 RefreshA': u03.1i ;7
 RefreshA': u02.1i ;7
 RefreshA': u01.1i ;7
 RefreshA': #R1.1o ;21

 RefreshB': u45.1i ;8
 RefreshB': u41.1i ;8
 RefreshB': u37.1i ;8
 RefreshB': u33.1i ;8
 RefreshB': u32.1i ;8
 RefreshB': u36.1i ;8
 RefreshB': u40.1i ;8
 RefreshB': u44.1i ;8
 RefreshB': u43.1i ;8

XEROX	PROPRIETARY NOTE ON COVER SHEET APPLIES TO ALL SHEETS		DWG SIZE	DWG NO. 156P11940	SHEET REV. A
	TITLE SCHEMATIC, MCC-X		A4	SHEET 45 OF	

RefreshB': u39.1i ;8
 RefreshB': u35.1i ;8
 RefreshB': u31.1i ;8
 RefreshB': u30.1i ;8
 RefreshB': u34.1i ;8
 RefreshB': u38.1i ;8
 RefreshB': u42.1i ;8
 RefreshB': u29.1i ;9
 RefreshB': u26.1i ;9
 RefreshB': u25.1i ;9
 RefreshB': u28.1i ;9
 RefreshB': u27.1i ;9
 RefreshB': u24.1i ;9
 RefreshB': #R13.1o ;21

RefreshC': u68.1i ;10
 RefreshC': u64.1i ;10
 RefreshC': u60.1i ;10
 RefreshC': u56.1i ;10
 RefreshC': u55.1i ;10
 RefreshC': u59.1i ;10
 RefreshC': u63.1i ;10
 RefreshC': u67.1i ;10
 RefreshC': u66.1i ;10
 RefreshC': u62.1i ;10
 RefreshC': u58.1i ;10
 RefreshC': u54.1i ;10
 RefreshC': u53.1i ;10
 RefreshC': u57.1i ;10
 RefreshC': u61.1i ;10
 RefreshC': u65.1i ;10
 RefreshC': u52.1i ;11
 RefreshC': u49.1i ;11
 RefreshC': u48.1i ;11
 RefreshC': u51.1i ;11
 RefreshC': u50.1i ;11
 RefreshC': u47.1i ;11
 RefreshC': #R25.1o ;21

RefreshD': u92.1i ;12
 RefreshD': u88.1i ;12
 RefreshD': u84.1i ;12
 RefreshD': u80.1i ;12
 RefreshD': u79.1i ;12
 RefreshD': u83.1i ;12
 RefreshD': u87.1i ;12
 RefreshD': u91.1i ;12
 RefreshD': u90.1i ;12
 RefreshD': u86.1i ;12
 RefreshD': u82.1i ;12
 RefreshD': u78.1i ;12
 RefreshD': u77.1i ;12
 RefreshD': u81.1i ;12
 RefreshD': u85.1i ;12
 RefreshD': u89.1i ;12
 RefreshD': u76.1i ;13
 RefreshD': u73.1i ;13
 RefreshD': u72.1i ;13
 RefreshD': u75.1i ;13

RefreshD': u74.1i ;13
 RefreshD': u71.1i ;13
 RefreshD': #R37.1o ;21

RFCL: #TP002.1i, v74.1i ;2
 RFCL: #R76.1o ;21

SCRefresh': v23.12o, u98.10i ;1

SDI.00: u45.2i, u68.2i, u92.2i ;15
 SDI.00: u22.2i
 SDI.00: #R57.1o ;21

SDI.00z: v50.2o, E96 ;14
 SDI.00z: v11.1i ;14
 SDI.00z: v26.1i ;14
 SDI.00z: v30.1i ;14
 SDI.00z: #R57.2i ;21

SDI.01: u44.2i, u67.2i, u91.2i ;15
 SDI.01: u21.2i
 SDI.01: #R56.1o ;21

SDI.01z: v50.5o, E196 ;14
 SDI.01z: v11.2i ;14
 SDI.01z: v27.1i ;14
 SDI.01z: v30.2i ;14
 SDI.01z: #R56.2i ;21

SDI.02: u43.2i, u66.2i, u90.2i ;15
 SDI.02: u20.2i
 SDI.02: #R55.1o ;21

SDI.02z: v50.6o, E95 ;14
 SDI.02z: v11.4i ;14
 SDI.02z: v28.1i ;14
 SDI.02z: v30.4i ;14
 SDI.02z: #R55.2i ;21

SDI.03: u42.2i, u65.2i, u89.2i ;15
 SDI.03: u19.2i
 SDI.03: #R54.1o ;21

SDI.03z: v50.9o, E195 ;14
 SDI.03z: v11.8i ;14
 SDI.03z: v29.1i ;14
 SDI.03z: v30.8i ;14
 SDI.03z: #R54.2i ;21

SDI.04: u41.2i, u64.2i, u88.2i ;15
 SDI.04: u18.2i
 SDI.04: #R53.1o ;21

SDI.04z: v50.12o, E94 ;14
 SDI.04z: v26.2i ;14
 SDI.04z: v27.2i ;14
 SDI.04z: v30.9i ;14
 SDI.04z: #R53.2i ;21

XEROX	PROPRIETARY NOTE ON COVER SHEET APPLIES TO ALL SHEETS		DWG SIZE A4	DWG NO. 156P11940	SHEET REV. A
	TITLE SCHEMATIC, MCC-X		SHEET 46 OF		

SDI.05: u40.2i, u63.2i, u87.2i ;15
SDI.05: u17.2i
SDI.05: #R52.1o ;21

SDI.05z: v50.15o, E194 ;14
SDI.05z: v26.4i ;14
SDI.05z: v28.2i ;14
SDI.05z: v30.10i ;14
SDI.05z: #R52.2i ;21

SDI.06: u39.2i, u62.2i, u86.2i ;15
SDI.06: u16.2i
SDI.06: #R51.1o ;21

SDI.06z: v50.16o, E93 ;14
SDI.06z: v27.4i ;14
SDI.06z: v28.4i ;14
SDI.06z: v29.2i ;14
SDI.06z: #R51.2i ;21

SDI.07: u38.2i, u61.2i, u85.2i ;15
SDI.07: u15.2i
SDI.07: #R50.1o ;21

SDI.07z: v50.19o, E193 ;14
SDI.07z: v26.8i ;14
SDI.07z: v28.8i ;14
SDI.07z: v29.4i ;14
SDI.07z: #R50.2i ;21

SDI.08: u37.2i, u60.2i, u84.2i ;15
SDI.08: u14.2i
SDI.08: #R49.1o ;21

SDI.08z: v62.2o, E92 ;14
SDI.08z: v26.9i ;14
SDI.08z: v27.8i ;14
SDI.08z: v29.8i ;14
SDI.08z: #R49.2i ;21

SDI.09: u36.2i, u59.2i, u83.2i ;15
SDI.09: u13.2i
SDI.09: #R64.1o ;21

SDI.09z: v62.5o, E192 ;14
SDI.09z: v26.10i ;14
SDI.09z: v27.9i ;14
SDI.09z: v28.9i ;14
SDI.09z: #R64.2i ;21

SDI.10: u35.2i, u58.2i, u82.2i ;15
SDI.10: u12.2i
SDI.10: #R63.1o ;21

SDI.10z: v62.6o, E91 ;14
SDI.10z: v11.9i ;14
SDI.10z: v28.10i ;14
SDI.10z: v29.9i ;14
SDI.10z: #R63.2i ;21

SDI.11: u34.2i, u57.2i, u81.2i ;15
SDI.11: u11.2i
SDI.11: #R62.1o ;21

SDI.11z: v62.9o, E191 ;14
SDI.11z: v11.10i ;14
SDI.11z: v27.10i ;14
SDI.11z: v29.10i ;14
SDI.11z: #R62.2i ;21

SDI.12: u33.2i, u56.2i, u80.2i ;15
SDI.12: u10.2i
SDI.12: #R61.1o ;21

SDI.12z: v62.12o, E89 ;14
SDI.12z: v11.11i ;14
SDI.12z: v27.11i ;14
SDI.12z: v28.11i ;14
SDI.12z: #R61.2i ;21

SDI.13: u32.2i, u55.2i, u79.2i ;15
SDI.13: u09.2i
SDI.13: #R60.1o ;21

SDI.13z: v62.15o, E189 ;14
SDI.13z: v11.12i ;14
SDI.13z: v26.11i ;14
SDI.13z: v29.11i ;14
SDI.13z: #R60.2i ;21

SDI.14: u31.2i, u54.2i, u78.2i ;15
SDI.14: u08.2i
SDI.14: #R59.1o ;21

SDI.14z: v62.16o, E88 ;14
SDI.14z: v27.12i ;14
SDI.14z: v28.12i ;14
SDI.14z: v30.11i ;14
SDI.14z: #R59.2i ;21

SDI.15: u30.2i, u53.2i, u77.2i ;15
SDI.15: u07.2i
SDI.15: #R58.1o ;21

SDI.15z: v62.19o, E188 ;14
SDI.15z: v26.12i ;14
SDI.15z: v29.12i ;14
SDI.15z: v30.12i ;14
SDI.15z: #R58.2i ;21

SDI.16: u29.2i, u52.2i, u76.2i ;15
SDI.16: u06.2i
SDI.16: #R65.1o ;21

SDI.16z: v11.5o, E87 ;14
SDI.16z: #R65.2i ;21

SDI.17: u28.2i, u51.2i, u75.2i ;15

XEROX	PROPRIETARY NOTE ON COVER SHEET APPLIES TO ALL SHEETS		DWG SIZE A4	DWG NO. 156P11940		SHEET REV. A
	TITLE SCHEMATIC, MCC-X			SHEET 47 OF		

SDI.17: u05.2i
SDI.17: #R66.1o ;21

SDI.17z: v26.5o, E187 ;14
SDI.17z: #R66.2i ;21

SDI.18: u27.2i, u50.2i, u74.2i ;15
SDI.18: u04.2i
SDI.18: #R67.1o ;21

SDI.18z: v27.5o, E86 ;14
SDI.18z: #R67.2i ;21

SDI.19: u26.2i, u49.2i, u73.2i ;15
SDI.19: u03.2i
SDI.19: #R68.1o ;21

SDI.19z: v28.5o, E186 ;14
SDI.19z: #R68.2i ;21

SDI.20: u25.2i, u48.2i, u72.2i ;15
SDJ.20: u02.2i
SDI.20: #R69.1o ;21

SDI.20z: v29.6o, E85 ;14
SDI.20z: #R69.2i ;21

SDI.21: u24.2i, u47.2i, u71.2i ;15
SDI.21: u01.2i
SDI.21: #R70.1o ;21

SDI.21z: v30.6o, E185 ;14
SDI.21z: #R70.2i ;21

SDO.00: v21.18o, E18 ;16
SDO.00: v06.18o ;16
SDO.00: v72.1i ;17
SDO.00: v71.1i ;17
SDO.00: v39.2i ;17
SDO.00: v38.2i ;18

SDO.01: v21.16o, E118 ;16
SDO.01: v06.16o ;16
SDO.01: v72.2i ;17
SDO.01: v56.1i ;17
SDO.01: v39.4i ;17
SDO.01: v38.5i ;18

SDO.02: v21.14o, E19 ;16
SDO.02: v06.14o ;16
SDO.02: v72.4i ;17
SDO.02: v55.1i ;17
SDO.02: v39.8i ;17
SDO.02: v38.10i ;18

SDO.03: v21.12o, E119 ;16
SDO.03: v06.12o ;16
SDO.03: v72.8i ;17
SDO.03: v41.1i ;17

SDO.03: v38.13i ;18

SDO.04: v21.3o, E21 ;16
SDO.04: v06.3o ;16
SDO.04: v71.2i ;17
SDO.04: v56.2i ;17
SDO.04: v39.9i ;17
SDO.04: v37.2i ;18

SDO.05: v21.5o, E121 ;16
SDO.05: v06.5o ;16
SDO.05: v71.4i ;17
SDO.05: v55.2i ;17
SDO.05: v39.10i ;17
SDO.05: v37.5i ;18

SDO.06: v21.7o, E22 ;16
SDO.06: v06.7o ;16
SDO.06: v56.4i ;17
SDO.06: v55.4i ;17
SDO.06: v41.2i ;17
SDO.06: v37.10i ;18

SDO.07: v21.9o, E122 ;16
SDO.07: v06.9o ;16
SDO.07: v71.8i ;17
SDO.07: v55.8i ;17
SDO.07: v41.4i ;17
SDO.07: v37.13i ;18

SDO.08: v20.18o, E23 ;16
SDO.08: v05.18o ;16
SDO.08: v71.9i ;17
SDO.08: v56.8i ;17
SDO.08: v41.8i ;17
SDO.08: v36.2i ;18

SDO.09: v20.16o, E123 ;16
SDO.09: v05.16o ;16
SDO.09: v71.10i ;17
SDO.09: v56.9i ;17
SDO.09: v55.9i ;17
SDO.09: v40.1i ;17
SDO.09: v36.5i ;18

SDO.10: v20.14o, E24 ;16
SDO.10: v05.14o ;16
SDO.10: v72.9i ;17
SDO.10: v55.10i ;17
SDO.10: v41.9i ;17
SDO.10: v36.10i ;18

SDO.11: v20.12o, E124 ;16
SDO.11: v05.12o ;16
SDO.11: v72.10i ;17
SDO.11: v56.10i ;17
SDO.11: v41.10i ;17
SDO.11: v36.13i ;18

XEROX	PROPRIETARY NOTE ON COVER SHEET APPLIES TO ALL SHEETS		DWG SIZE	DWG NO. 156P11940	SHEET REV.
	TITLE SCHEMATIC, MCC-X		A4	SHEET 48 OF	A

SD0.12: v20.3o, E25 ;16
 SD0.12: v05.3o ;16
 SD0.12: v72.11i ;17
 SD0.12: v56.11i ;17
 SD0.12: v55.11i ;17
 SD0.12: v40.2i ;17
 SD0.12: v35.2i ;18

SD0.13: v20.5o, E125 ;16
 SD0.13: v05.5o ;16
 SD0.13: v72.12i ;17
 SD0.13: v71.11i ;17
 SD0.13: v41.11i ;17
 SD0.13: v35.5i ;18

SD0.14: v20.7o, E26 ;16
 SD0.14: v05.7o ;16
 SD0.14: v56.12i ;17
 SD0.14: v55.12i ;17
 SD0.14: v39.11i ;17
 SD0.14: v35.10i ;18

SD0.15: v20.9o, E126 ;16
 SD0.15: v05.9o ;16
 SD0.15: v71.12i ;17
 SD0.15: v41.12i ;17
 SD0.15: v35.13i ;18

SD0.16: v22.18o, E27 ;16
 SD0.16: v07.18o ;16
 SD0.16: v72.13i ;17
 SD0.16: v40.4i ;17

SD0.17: v22.16o, E127 ;16
 SD0.17: v07.16o ;16
 SD0.17: v71.13i ;17
 SD0.17: v40.8i ;17

SD0.18: v22.14o, E28 ;16
 SD0.18: v07.14o ;16
 SD0.18: v56.13i ;17
 SD0.18: v40.9i ;17

SD0.19: v22.12o, E128 ;16
 SD0.19: v07.12o ;16
 SD0.19: v55.13i ;17
 SD0.19: v40.10i ;17

SD0.20: v22.3o, E29 ;16
 SD0.20: v07.3o ;16
 SD0.20: v41.13i ;17

SD0.21: v22.5o, E129 ;16
 SD0.21: v07.9o ;16
 SD0.21: v39.12i ;17

Select64kStg': v74.12o ;20
 Select64kStg': v70.1i ;20
 Select64kStg': v70.19i ;20

Select64kStg: v74.13i ;20
 Select64kStg: v69.15i ;20
 Select64kStg: v68.15i ;20
 Select64kStg: #R75.1o ;21

Set0': v33.15o, v32.5i ;19

Set1': v33.14o, v32.1i ;19

Set2': v33.13o, v32.14i ;19

Set3': v33.12o, v32.10i ;19

Set4': v33.11o, v31.5i ;19

Set5': v33.10o, v31.1i ;19

Set6': v33.9o, v31.14i ;19

Set7': v33.7o, v31.10i ;19

SingErr: v12.2i, v54.17i, v42.8o ;17

SMemCycle': u99.8o, u97.10i ;1

SMSRef': u99.3o, u98.4i ;1

StgAddr.00: v69.7o ;20
 StgAddr.00: v70.18o, E32 ;20

StgAddr.01: v69.9o ;20
 StgAddr.01: v70.16o, E132 ;20

StgAddr.02: v69.12o ;20
 StgAddr.02: v70.14o, E33 ;20

StgAddr.03: v68.4o ;20
 StgAddr.03: v70.12o, E133 ;20

StgAddr.04: v68.7o ;20
 StgAddr.04: v70.3o, E34 ;20

StgAddr.05: v68.9o ;20
 StgAddr.05: v70.5o, E134 ;20

StgAddr.06: v68.12o ;20
 StgAddr.06: v70.7o, E35 ;20

StgAddr.07: v70.9o, E135 ;20

StgBank1': v12.6o ;4

StgBank2': v12.8o ;4

StgBrd: v12.4i ;4
 StgBrd: v12.10i ;4
 StgBrd: v57.9i ;4
 StgBrd: v10.8o, v10.13i ;4

XEROX	PROPRIETARY NOTE ON COVER SHEET APPLIES TO ALL SHEETS		DWG SIZE A4	DWG NO. 156P11940	SHEET REV. A
	TITLE SCHEMATIC, MCC-X		SHEET 49	OF	

Synd.00: v16.15o, v38.1i ;18
 Synd.01: v17.11o, v38.4i ;18
 Synd.02: v17.13o, v38.9i ;18
 Synd.03: v17.14o, v38.12i ;18
 Synd.04: v18.11o, v37.1i ;18
 Synd.05: v18.13o, v37.4i ;18
 Synd.06: v19.7o, v37.9i ;18
 Synd.07: v18.12o, v37.12i ;18
 Synd.08: v18.10o, v36.1i ;18
 Synd.09: v18.9o, v36.4i ;18
 Synd.10: v17.12o, v36.9i ;18
 Synd.11: v17.10o, v36.12i ;18
 Synd.12: v17.9o, v35.1i ;18
 Synd.13: v16.14o, v35.4i ;18
 Synd.14: v19.9o, v35.9i ;18
 Synd.15: v18.14o, v35.12i ;18
 SyndA': v42.1i, v72.6o ;17
 SyndA': v18.6i ;18
 SyndA': v19.6i ;18
 SyndA: v54.3i, v72.5o ;17
 SyndA: v17.6i ;18
 SyndA: v16.6i ;18
 SyndB': v42.2i, v71.6o ;17
 SyndB': v18.5i ;18
 SyndB': v16.5i ;18
 SyndB: v54.4i, v71.5o ;17
 SyndB: v19.5i ;18
 SyndB: v17.5i ;18
 SyndC': v56.6o, v42.3i ;17
 SyndC: v54.7i, v56.5o ;17
 SyndC: v16.3i ;18
 SyndC: v17.3i ;18
 SyndC: v18.3i ;18
 SyndC: v19.3i ;18
 SyndChk: v40.6o, v39.13i ;17

SyndD': v55.6o, v42.4i ;17
 SyndD: v54.8i, v55.5o ;17
 SyndD: v19.2i ;18
 SyndD: v18.2i ;18
 SyndD: v17.2i ;18
 SyndD: v16.2i ;18
 SyndE': v41.5o, v42.5i ;17
 SyndE: v54.13i, v39.1i, v41.6o ;17
 SyndE: v19.1i ;18
 SyndE: v18.1i ;18
 SyndE: v17.1i ;18
 SyndE: v16.1i ;18
 SyndF': v39.5o, v42.12i, v42.11i ;17
 SyndF': v42.6i, v12.1i
 SyndF: v39.6o, v54.14i ;17
 Task0Err': v32.7o, v52.2i ;19
 Task1Err': v32.4o, v52.17i ;19
 Task2Err': v32.13o, v52.4i ;19
 Task3Err': v32.9o, v52.15i ;19
 Task4Err': v31.7o, v52.6i ;19
 Task5Err': v31.4o, v52.13i ;19
 Task6Err': v31.13o, v52.8i ;19
 Task7Err': v31.9o, v52.11i ;19
 TGND: u98.2i ;1
 TGND: u98.12i ;1
 TGND: u97.12i ;1
 TGND: v14.12i ;2
 TGND: v14.2i ;2
 TGND: v74.2o ;2
 TstBk0': #TP035.1i, v24.13i ;4
 TstBk0': #R74.1o ;21
 TstBk123': #TP036.1i, v24.5i ;4
 TstBk123': #R73.1o ;21
 VCC: u22.8i ;7
 VCC: u21.8i ;7
 VCC: u20.8i ;7
 VCC: u19.8i ;7
 VCC: u18.8i ;7
 VCC: u13.8i ;7
 VCC: u14.8i ;7
 VCC: u15.8i ;7
 VCC: u16.8i ;7

XEROX	PROPRIETARY NOTE ON COVER SHEET APPLIES TO ALL SHEETS	DWG SIZE A4	DWG NO. 156P11940	SHEET REV. A
	TITLE SCHEMATIC, MCC-X		SHEET 50 OF	

VCC:	u17.8i	;7	VCC:	u78.8i	;13
VCC:	u12.8i	;7	VCC:	u73.8i	;13
VCC:	u11.8i	;7	VCC:	u71.8i	;13
VCC:	u10.8i	;7	VCC:	u72.8i	;13
VCC:	u09.8i	;7	VCC:	u74.8i	;13
VCC:	u08.8i	;7	VCC:	u79.8i	;13
VCC:	u03.8i	;7	VCC:	u84.8i	;13
VCC:	u04.8i	;7	VCC:	u89.8i	;13
VCC:	u05.8i	;7	VCC:	u90.8i	;13
VCC:	u06.8i	;7	VCC:	u85.8i	;13
VCC:	u07.8i	;7	VCC:	u80.8i	;13
VCC:	u02.8i	;7	VCC:	u75.8i	;13
VCC:	u01.8i	;7	VCC:	u76.8i	;13
VCC:	u41.8i	;9	VCC:	u81.8i	;13
VCC:	u36.8i	;9	VCC:	u86.8i	;13
VCC:	u31.8i	;9	VCC:	u91.8i	;13
VCC:	u26.8i	;9	VCC:	u92.8i	;13
VCC:	u25.8i	;9	VCC:	u87.8i	;13
VCC:	u24.8i	;9	VCC:	u82.8i	;13
VCC:	u27.8i	;9	VCC:	u77.8i	;13
VCC:	u32.8i	;9	VCC:	#R73.2i	;21
VCC:	u37.8i	;9	VCC:	#R13.2i	;21
VCC:	u42.8i	;9	VCC:	#R1.2i	;21
VCC:	u43.8i	;9	VCC:	#R25.2i	;21
VCC:	u38.8i	;9	VCC:	#R37.2i	;21
VCC:	u33.8i	;9	VCC:	#R74.2i	;21
VCC:	u28.8i	;9	VCC:	#R75.2i	;21
VCC:	u29.8i	;9	VCC:	#R71.2i	;21
VCC:	u34.8i	;9	VCC:	#R72.2i	;21
VCC:	u39.8i	;9	VCC:	#R76.2i	;21
VCC:	u44.8i	;9	VCC:	#R80.1i, #R84.1i, #R77.1i	;22
VCC:	u45.8i	;9	VCC:	#R79.1i, #R83.1i	
VCC:	u40.8i	;9	VCC:	#F1.1o, #C133.1i, #C134.1i	;23
VCC:	u35.8i	;9	VCC:	#C135.1i, #C132.1i, #C131.1i	
VCC:	u30.8i	;9	VCC:	#C130.1i	
VCC:	u64.8i	;11	VCC:	#C1.1i, #C2.1i, #C3.1i	;24
VCC:	u59.8i	;11	VCC:	#C4.1i, #C5.1i, #C6.1i	
VCC:	u54.8i	;11	VCC:	#C7.1i, #C8.1i, #C9.1i	
VCC:	u49.8i	;11	VCC:	#C10.1i, #C11.1i, #C12.1i	
VCC:	u50.8i	;11	VCC:	#C13.1i, #C14.1i, #C15.1i	
VCC:	u55.8i	;11	VCC:	#C16.1i	
VCC:	u60.8i	;11	VCC:	#C17.1i, #C18.1i, #C19.1i	;24
VCC:	u65.8i	;11	VCC:	#C20.1i, #C21.1i, #C22.1i	
VCC:	u66.8i	;11	VCC:	#C23.1i, #C24.1i, #C25.1i	
VCC:	u61.8i	;11	VCC:	#C26.1i, #C27.1i, #C28.1i	
VCC:	u56.8i	;11	VCC:	#C29.1i, #C30.1i, #C31.1i	
VCC:	u51.8i	;11	VCC:	#C32.1i	
VCC:	u52.8i	;11	VCC:	#C33.1i, #C34.1i, #C35.1i	;24
VCC:	u57.8i	;11	VCC:	#C36.1i, #C37.1i, #C38.1i	
VCC:	u62.8i	;11	VCC:	#C39.1i, #C40.1i, #C41.1i	
VCC:	u67.8i	;11	VCC:	#C42.1i, #C43.1i, #C44.1i	
VCC:	u68.8i	;11	VCC:	#C45.1i, #C46.1i, #C47.1i	
VCC:	u63.8i	;11	VCC:	#C48.1i	
VCC:	u58.8i	;11	VCC:	#C49.1i, #C50.1i, #C51.1i	;24
VCC:	u53.8i	;11	VCC:	#C52.1i, #C53.1i, #C54.1i	
VCC:	u48.8i	;11	VCC:	#C55.1i, #C56.1i, #C57.1i	
VCC:	u47.8i	;11	VCC:	#C58.1i, #C59.1i, #C60.1i	
VCC:	u88.8i	;13	VCC:	#C61.1i, #C62.1i, #C63.1i	
VCC:	u83.8i	;13	VCC:	#C64.1i	

XEROX	PROPRIETARY NOTE ON COVER SHEET APPLIES TO ALL SHEETS		DWG SIZE A4	DWG NO. 156P11940	SHEET REV. A
	TITLE SCHEMATIC, MCC-X		SHEET 51 OF		

```

VCC: #C65.1i, #C66.1i, #C67.1i ;25
VCC: #C68.1i, #C69.1i, #C70.1i
VCC: #C71.1i, #C72.1i, #C73.1i
VCC: #C74.1i, #C75.1i, #C76.1i
VCC: #C77.1i, #C78.1i, #C79.1i
VCC: #C80.1i
VCC: #C81.1i, #C82.1i, #C83.1i ;25
VCC: #C84.1i, #C85.1i, #C86.1i
VCC: #C87.1i, #C88.1i, #C89.1i
VCC: #C90.1i, #C91.1i, #C92.1i
VCC: #C93.1i, #C94.1i, #C95.1i
VCC: #C96.1i
VCC: #C97.1i, #C98.1i, #C99.1i ;25
VCC: #C100.1i, #C101.1i, #C102.1i
VCC: #C103.1i, #C104.1i, #C105.1i
VCC: #C106.1i, #C107.1i, #C108.1i
VCC: #C109.1i, #C110.1i, #C111.1i
VCC: #C112.1i
VCC: #C113.1i, #C114.1i, #C115.1i ;25
VCC: #C116.1i, #C117.1i, #C118.1i
VCC: #C119.1i, #C120.1i, #C121.1i
VCC: #C122.1i, #C123.1i, #C124.1i
VCC: #C125.1i, #C126.1i, #C127.1i
VCC: #C128.1i, #C129.1i

Wait': v60.14o ;1
Wait': u98.1i ;1
Wait': u98.13i ;1
Wait': u97.13i ;1

Wait: E17, v60.6i, v73.12i ;1

WaitClk: v60.16o ;1
WaitClk: u97.3i ;1
WaitClk: v34.4i ;19

WPulse': v58.16o, v13.8i ;1

WPulse1: u99.1i ;1
WPulse1: v23.1i ;1
WPulse1: u99.9i ;1
WPulse1: v13.10o ;1

WPulse: v43.4i ;1
WPulse: E7, v58.4i ;1

Write': v43.6o, E138 ;1
Write': v60.2i ;1
Write': v57.12i ;1

Write: v60.18o ;1
Write: u70.15i ;5
Write: u70.13i ;5
Write: u70.11i ;5

WriteA': u22.3i ;6
WriteA': u21.3i ;6
WriteA': u20.3i ;6
WriteA': u19.3i ;6

WriteA': u18.3i ;6
WriteA': u17.3i ;6
WriteA': u16.3i ;6
WriteA': u15.3i ;6
WriteA': u11.3i ;6
WriteA': u12.3i ;6
WriteA': u13.3i ;6
WriteA': u14.3i ;6
WriteA': u10.3i ;6
WriteA': u09.3i ;6
WriteA': u08.3i ;6
WriteA': u07.3i ;6
WriteA': u06.3i ;7
WriteA': u05.3i ;7
WriteA': u04.3i ;7
WriteA': u01.3i ;7
WriteA': u02.3i ;7
WriteA': u03.3i ;7
WriteA': #R2.1o ;21

WriteAz': u70.3o, #TP023.1i ;5
WriteAz': #R2.2i ;21

WriteB': u45.3i ;8
WriteB': u41.3i ;8
WriteB': u37.3i ;8
WriteB': u33.3i ;8
WriteB': u44.3i ;8
WriteB': u43.3i ;8
WriteB': u42.3i ;8
WriteB': u40.3i ;8
WriteB': u39.3i ;8
WriteB': u38.3i ;8
WriteB': u34.3i ;8
WriteB': u35.3i ;8
WriteB': u36.3i ;8
WriteB': u32.3i ;8
WriteB': u31.3i ;8
WriteB': u30.3i ;8
WriteB': u29.3i ;9
WriteB': u28.3i ;9
WriteB': u27.3i ;9
WriteB': u24.3i ;9
WriteB': u25.3i ;9
WriteB': u26.3i ;9
WriteB': #R14.1o ;21

WriteBz': u70.5o, #TP024.1i ;5
WriteBz': #R14.2i ;21

WriteC': u68.3i ;10
WriteC': u64.3i ;10
WriteC': u60.3i ;10
WriteC': u56.3i ;10
WriteC': u55.3i ;10
WriteC': u59.3i ;10
WriteC': u63.3i ;10
WriteC': u67.3i ;10
WriteC': u66.3i ;10

```

WriteC': u62.3i ;10
 WriteC': u58.3i ;10
 WriteC': u54.3i ;10
 WriteC': u53.3i ;10
 WriteC': u57.3i ;10
 WriteC': u61.3i ;10
 WriteC': u65.3i ;10
 WriteC': u52.3i ;11
 WriteC': u51.3i ;11
 WriteC': u50.3i ;11
 WriteC': u49.3i ;11
 WriteC': u48.3i ;11
 WriteC': u47.3i ;11
 WriteC': #R26.1o ;21

WriteCz': u70.7o, #TP025.1i ;5
 WriteCz': #R26.2i ;21

WriteD': u92.3i ;12
 WriteD': u91.3i ;12
 WriteD': u90.3i ;12
 WriteD': u89.3i ;12
 WriteD': u85.3i ;12
 WriteD': u86.3i ;12
 WriteD': u87.3i ;12
 WriteD': u88.3i ;12
 WriteD': u84.3i ;12
 WriteD': u83.3i ;12
 WriteD': u82.3i ;12
 WriteD': u81.3i ;12
 WriteD': u80.3i ;12
 WriteD': u79.3i ;12
 WriteD': u78.3i ;12
 WriteD': u77.3i ;12
 WriteD': u76.3i ;13
 WriteD': u75.3i ;13
 WriteD': u74.3i ;13
 WriteD': u71.3i ;13
 WriteD': u72.3i ;13
 WriteD': u73.3i ;13
 WriteD': #R38.1o ;21

WriteDz': u70.9o, #TP026.1i ;5
 WriteDz': #R38.2i ;21

X.00: v54.2o ;17
 X.00: v53.18o, E41 ;18

 X.01: v54.5o ;17
 X.01: v53.3o, E141 ;18

 X.02: v54.6o ;17
 X.02: v53.16o, E42 ;18

 X.03: v54.9o ;17
 X.03: v53.5o, E142 ;18

 X.04: v54.12o ;17
 X.04: v53.14o, E43 ;18

X.05: v54.15o ;17
 X.05: v53.7o, E143 ;18

 X.06: v54.16o ;17
 X.06: v53.12o, E44 ;18

 X.07: v54.19o ;17
 X.07: v53.9o, E144 ;18

 X.08: v51.18o, E45 ;18
 X.08: v52.18o ;19

 X.09: v51.3o, E145 ;18
 X.09: v52.3o ;19

 X.10: v51.16o, E46 ;18
 X.10: v52.16o ;19

 X.11: v51.5o, E146 ;18
 X.11: v52.5o ;19

 X.12: v51.14o, E47 ;18
 X.12: v52.14o ;19

 X.13: v51.7o, E147 ;18
 X.13: v52.7o ;19

 X.14: v51.12o, E48 ;18
 X.14: v52.12o ;19

 X.15: v51.9o, E148 ;18
 X.15: v52.9o ;19

 Y.00: v67.3i ;2
 Y.00: v66.5i ;3
 Y.00: v49.5i ;3
 Y.00: E49, v50.3i ;14

 Y.01: v67.4i ;2
 Y.01: v66.11i ;3
 Y.01: v49.11i ;3
 Y.01: E149, v50.4i ;14

 Y.02: v67.7i ;2
 Y.02: v65.5i ;3
 Y.02: v48.5i ;3
 Y.02: E52, v50.7i ;14
 Y.02: v69.6i ;20

 Y.03: v67.8i ;2
 Y.03: v65.11i ;3
 Y.03: v48.11i ;3
 Y.03: E152, v50.8i ;14
 Y.03: v69.10i ;20

 Y.04: v67.13i ;2
 Y.04: v64.5i ;3
 Y.04: v47.5i ;3

XEROX	PROPRIETARY NOTE ON COVER SHEET APPLIES TO ALL SHEETS		DWG SIZE A4	DWG NO. 156P11940		SHEET REV. A
	TITLE SCHEMATIC, MCC-X			SHEET 53	OF	

Y.04: E53, v50.13i ;14
 Y.04: v34.6i ;19
 Y.04: v69.13i ;20

 Y.05: v67.14i ;2
 Y.05: v64.11i ;3
 Y.05: v47.11i ;3
 Y.05: E153, v50.14i ;14
 Y.05: v34.3i ;19
 Y.05: v68.3i ;20

 Y.06: v67.17i ;2
 Y.06: v63.5i ;3
 Y.06: v46.5i ;3
 Y.06: E54, v50.17i ;14
 Y.06: v34.2i ;19
 Y.06: v68.6i ;20

 Y.07: v67.18i ;2
 Y.07: v63.11i ;3
 Y.07: v46.11i ;3
 Y.07: E154, v50.18i ;14
 Y.07: v34.1i ;19
 Y.07: v68.10i ;20

 Y.08: v61.3i ;2
 Y.08: v45.3i ;14
 Y.08: E55, v62.3i ;14

 Y.09: v61.4i ;2
 Y.09: v45.4i ;14
 Y.09: E155, v62.4i ;14

 Y.10: v61.7i ;2
 Y.10: v45.7i ;14
 Y.10: E56, v62.7i ;14

 Y.11: v61.8i ;2
 Y.11: v45.8i ;14
 Y.11: E156, v62.8i ;14

 Y.12: v61.13i ;2
 Y.12: v45.13i ;14
 Y.12: E57, v62.13i ;14
 Y.12: v68.13i ;20

 Y.13: v61.14i ;2
 Y.13: v45.14i ;14
 Y.13: E157, v62.14i ;14

 Y.14: v61.17i ;2
 Y.14: v45.17i ;14
 Y.14: E58, v62.17i ;14

 Y.15: v61.18i ;2
 Y.15: v45.18i ;14
 Y.15: E158, v62.18i ;14

 YH.0: E59, v44.3i ;2

YH.0: v49.3i ;3

 YH.1: E159, v44.4i ;2
 YH.1: v49.13i ;3

 YH.2: E61, v44.7i ;2
 YH.2: v48.3i ;3

 YH.3: E161, v44.8i ;2
 YH.3: v48.13i ;3

 YH.4: E62, v44.13i ;2
 YH.4: v47.3i ;3

 YH.5: E162, v44.14i ;2
 YH.5: v47.13i ;3

 YH.6: E63, v44.17i ;2
 YH.6: v46.3i ;3

 YH.7: E163, v44.18i ;2
 YH.7: v46.13i ;3

 <MD': v43.8o ;1
 <MD': v13.11i ;17
 <MD': v51.1i, v53.19i, v53.1i ;18
 <MD': v51.19i

 <MStatus': v54.1i ;17
 <MStatus': v52.1i, E114, v52.19i ;19

XEROX	PROPRIETARY NOTE ON COVER SHEET APPLIES TO ALL SHEETS		DWG SIZE A4	DWG NO. 156P11940	SHEET REV. A
	TITLE SCHEMATIC, MCC-X		SHEET 54 OF		