

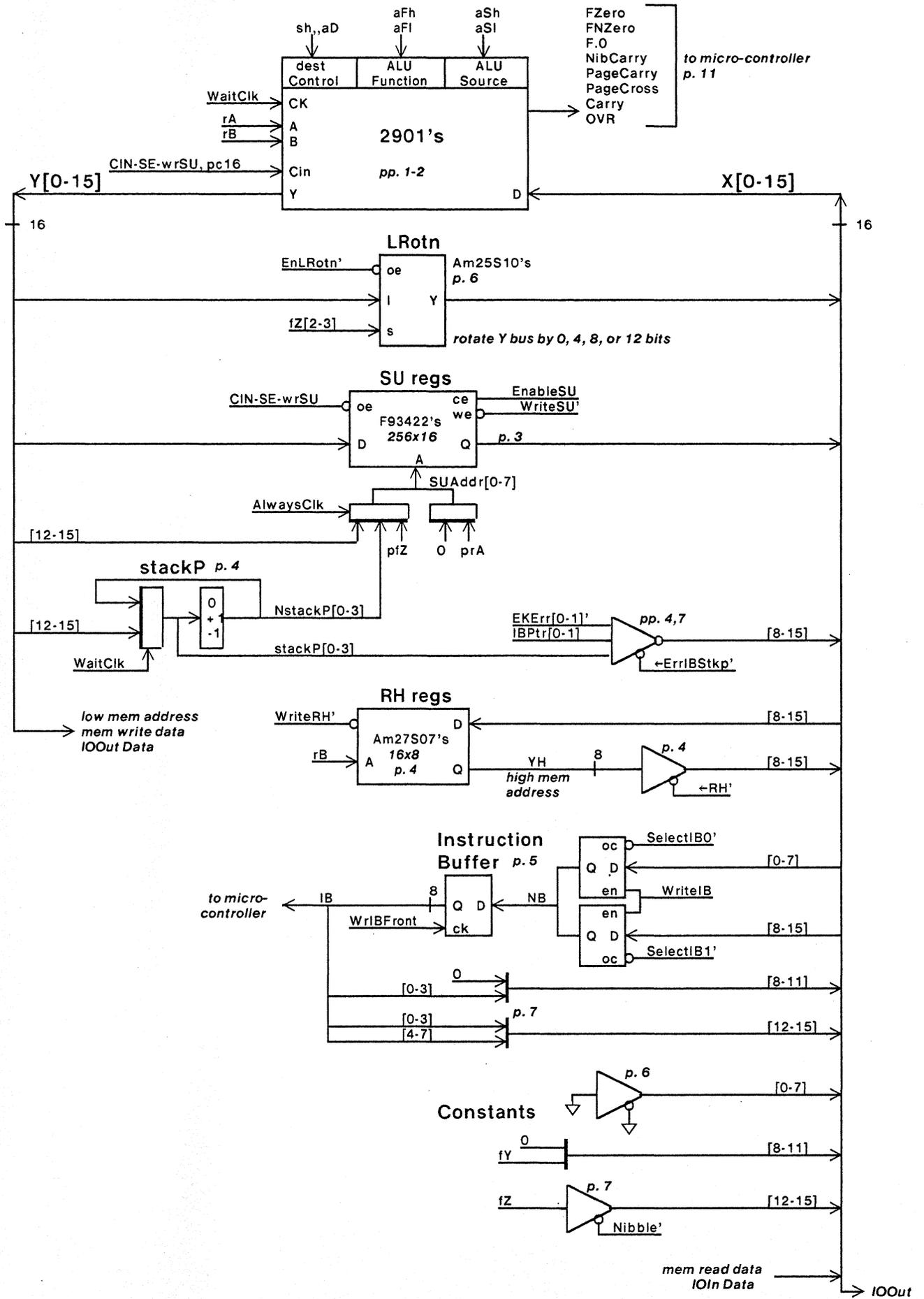
# TABLE OF CONTENTS

**SHEET**

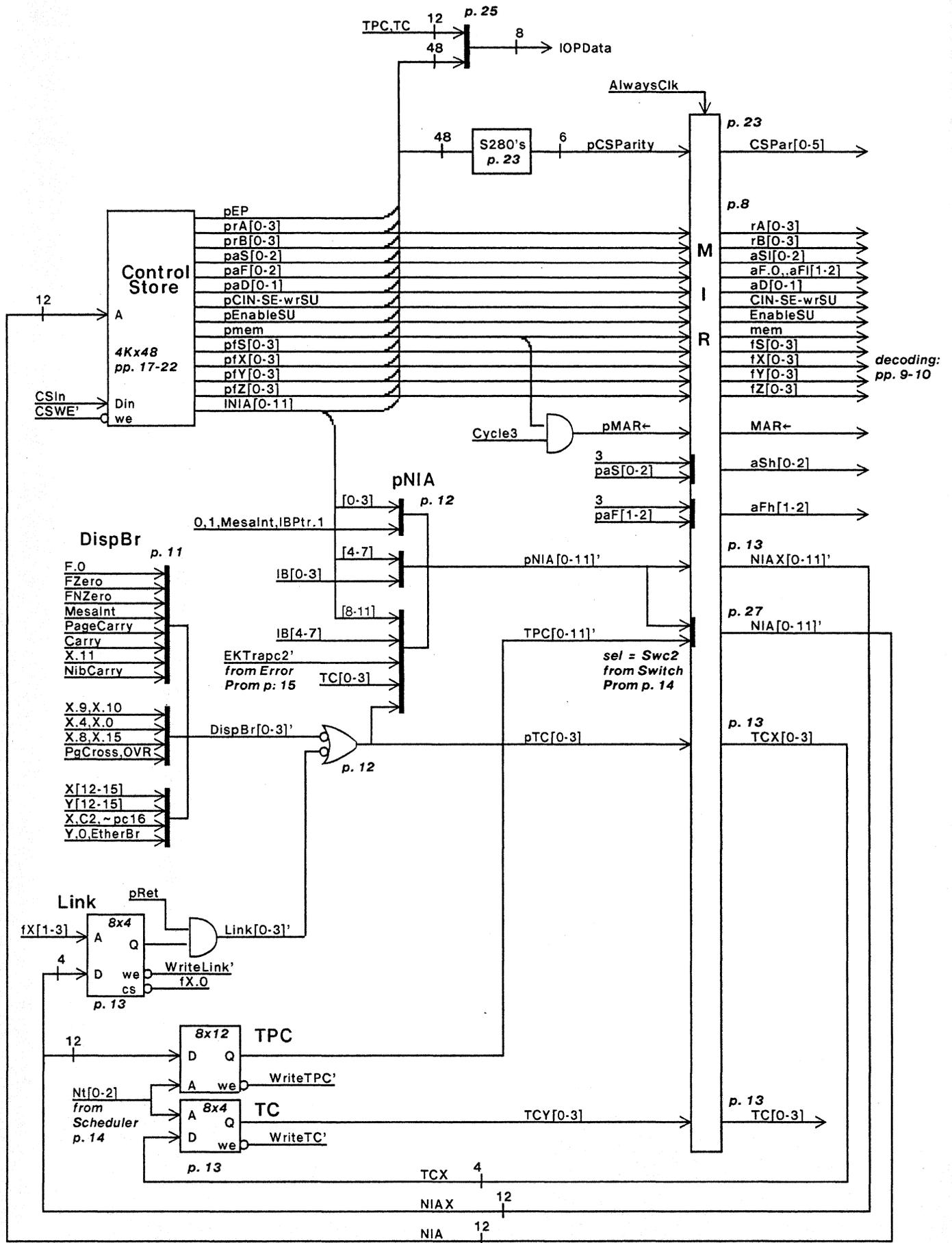
0.4	CP BLOCK DIAGRAM 1
0.5	CP BLOCK DIAGRAM 2
1	2901 CHIPS
2	LOOKAHEAD, SHIFT ENDS, CIN
3	SU
4	RH, STACKP
5	IB
6	XBUS: LROTN, RH, ZEROHIGHX
7	XBUS: IB, CONSTANTS, ERRINTSTACKP
8	MIR
9	MIR DECODING I
10	MIR DECODING II
11	DISPATCH/BRANCH
12	PNIA, PTC (BRANCHING)
13	TPC, TC, & LINK
14	SCHEDULE, SWITCH, & TASKS
15	ERROR, EMULATOR, & KERNEL PROMS
16	CLOCKS, WAIT
17	CONTROL STORE A [0-7]
18	CONTROL STORE B [8-15]
19	CONTROL STORE C [16-23]
20,	CONTROL STORE D [24-31]
21	CONTROL STORE E [32-39]
22	CONTROL STORE F [40-47]
23	CS PARITY (PC) - YEK
24	TASKS, IOP TPC-TC CONTROL
25	CS READ
26	TESTABILITY
27	PC DISCRETES & NIA
28	UNUSED PARTS, S374 CLOCKS
29	FILTER CAPACITORS
30	TEST POINT LISTING, EDGE CONNECTOR LISTING, SIGNAL LISTING

CP-0.3B.SIL

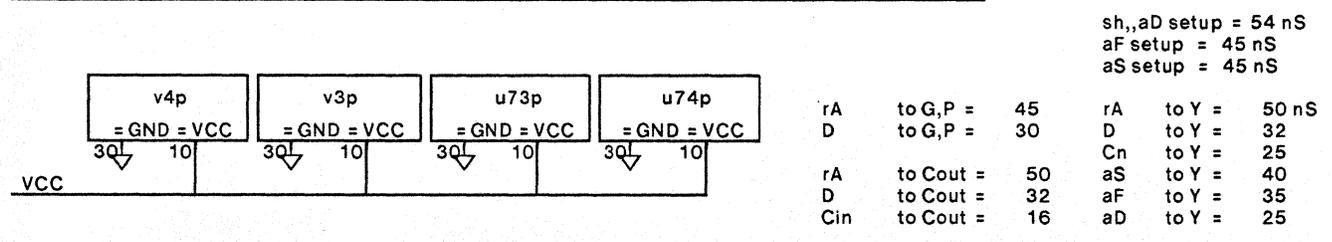
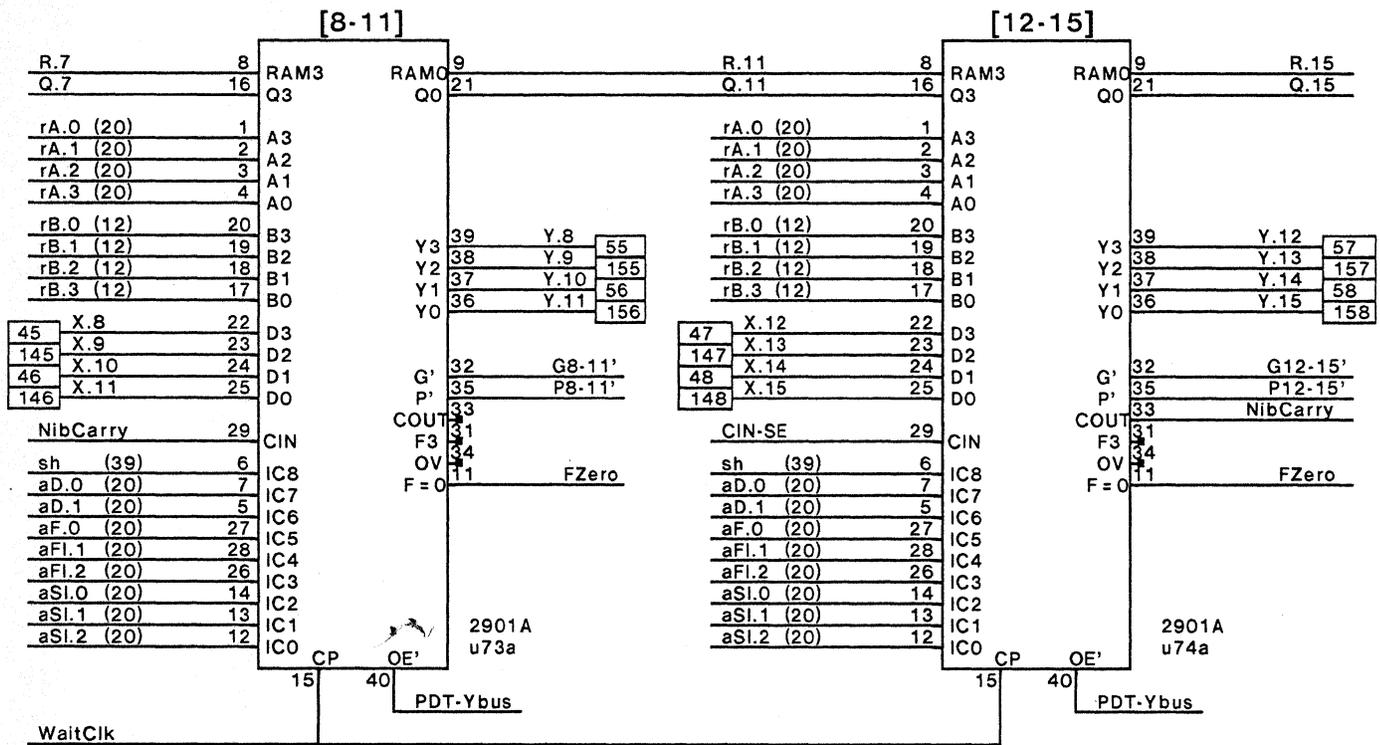
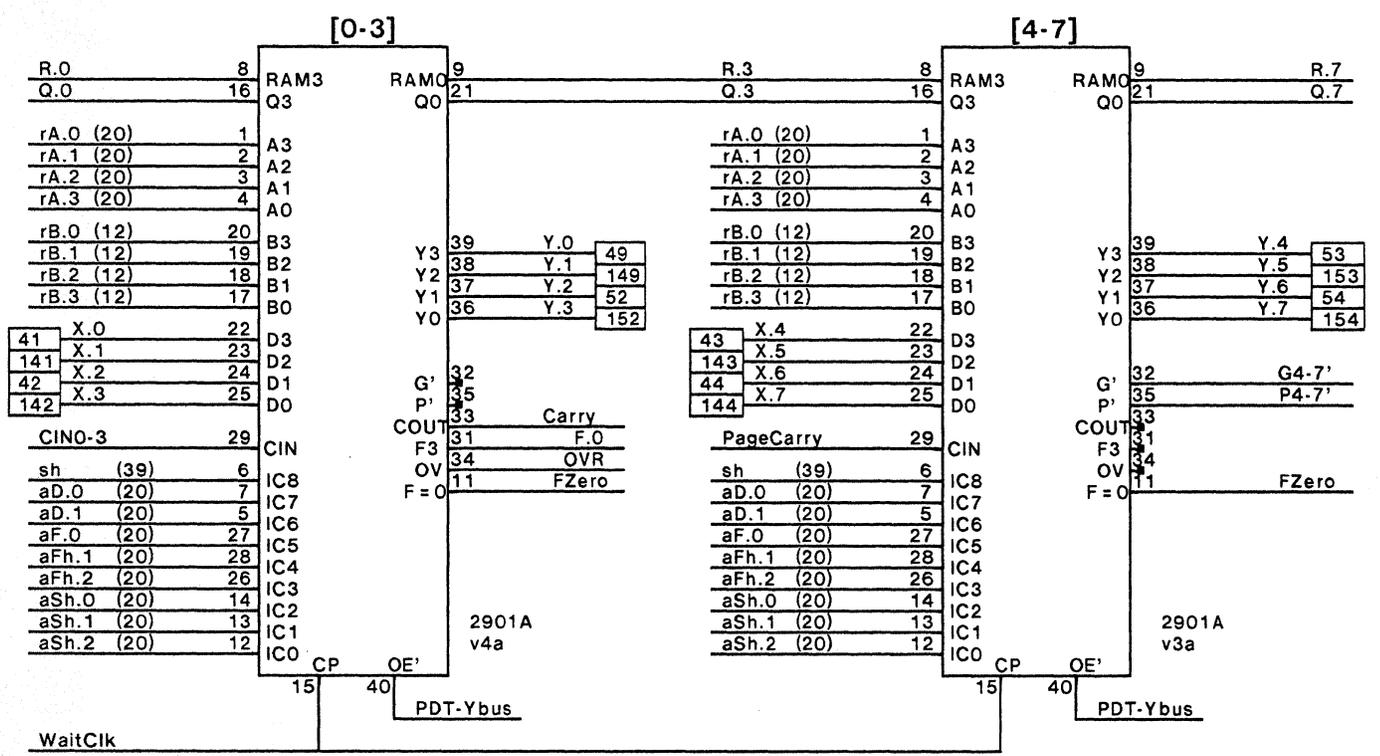
<b>XEROX</b>	PROPRIETARY NOTE ON COVER SHEET APPLIES TO ALL SHEETS	DWG SIZE <b>A4</b>	DWG NO. <b>156P11442</b>	SHEET REV. <b>B</b>
	TITLE <b>SCHEMATIC, CP</b>		SHEET <b>0.3</b> OF	



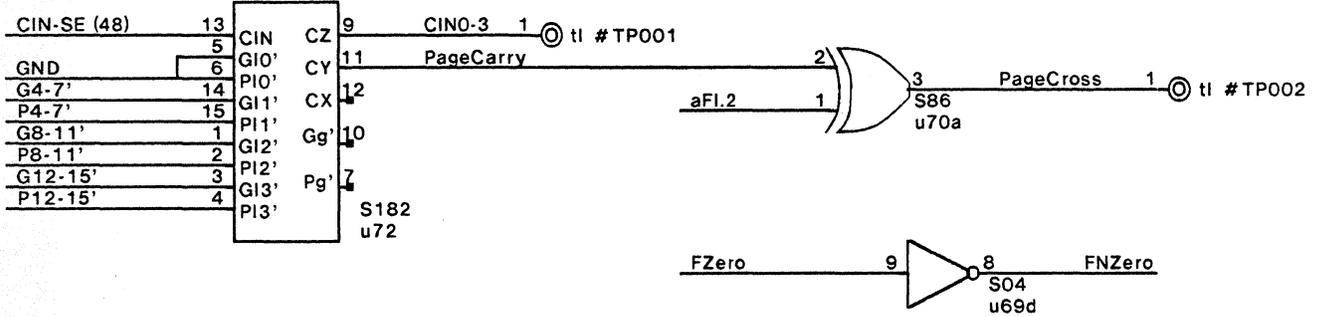
XEROX	PROPRIETARY NOTE ON COVER SHEET APPLIES TO ALL SHEETS	DWG SIZE A4	DWG NO. 156P11442	SHEET REV. B
	TITLE SCHEMATIC, CP		SHEET 0.4 OF	



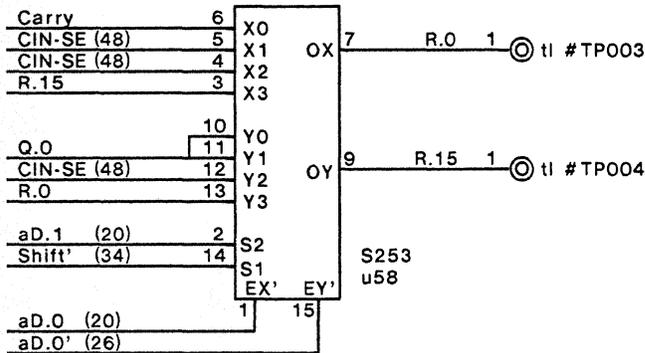
XEROX	PROPRIETARY NOTE ON COVER SHEET APPLIES TO ALL SHEETS		DWG SIZE A4	DWG NO. 156P11442		SHEET REV. B
	TITLE SCHEMATIC, CP			SHEET 0.5 OF		



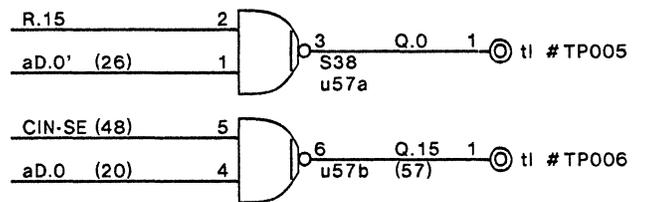
### 2901 Carry Lookahead



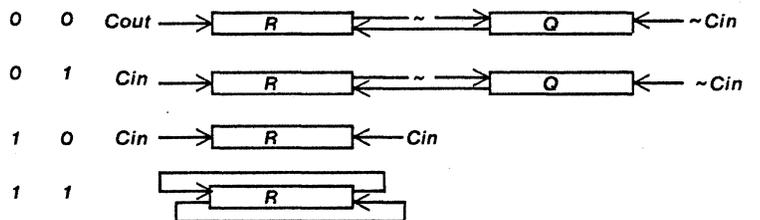
### R Shift Ends



### Q Shift Ends

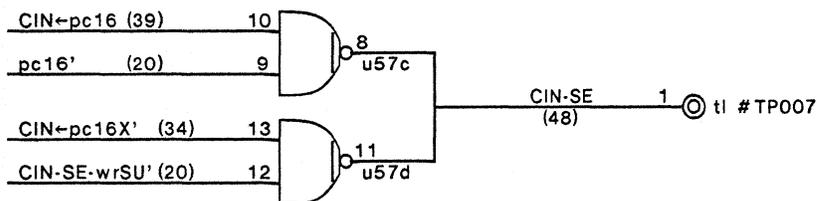


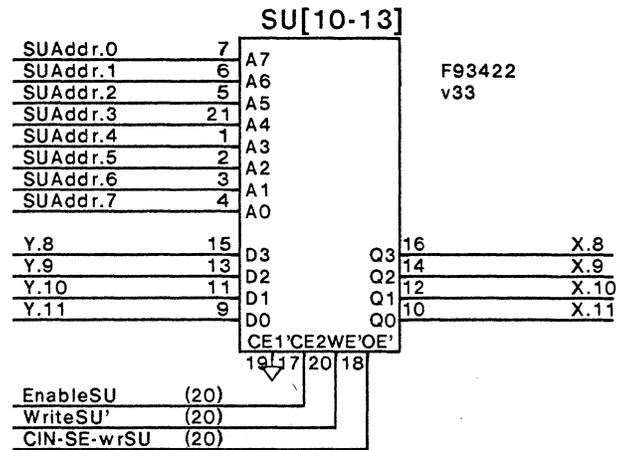
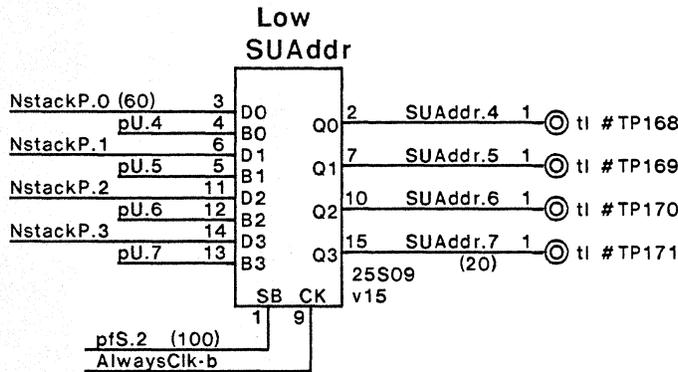
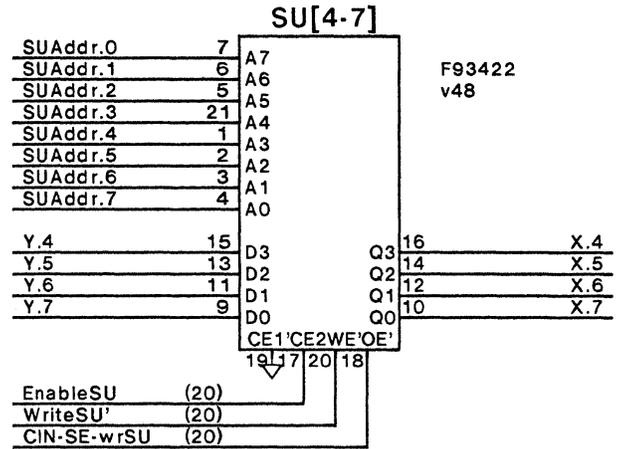
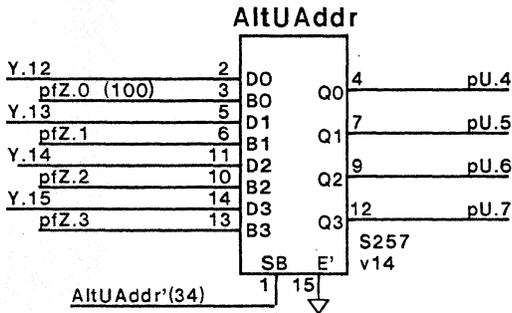
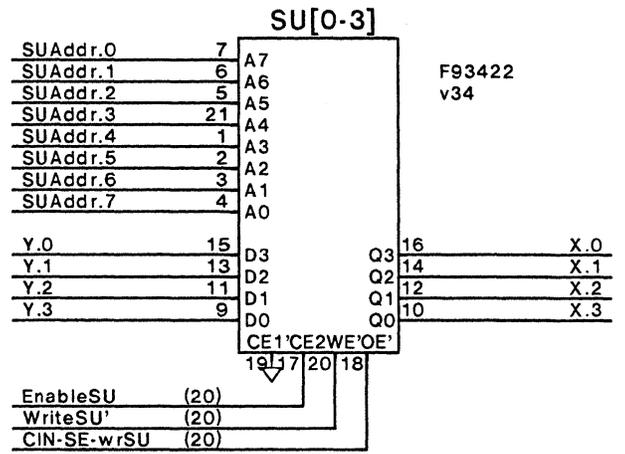
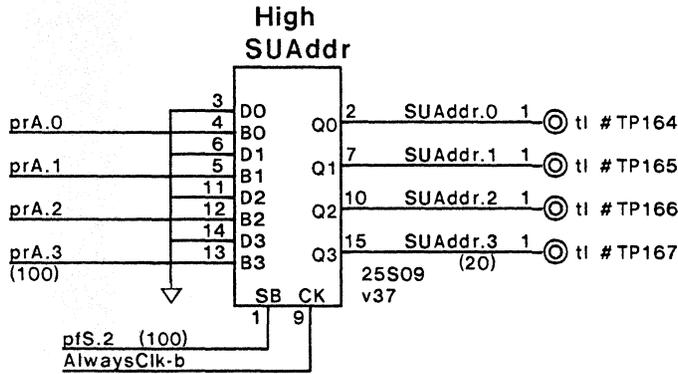
### aD.1 shift'



aD.0 = 0 implies right shift

### Cin & Shift Ends





**SU X-bus disable**

15[3] † to CIN-SE-wrSU (tPLH)  
 30 Output Disable  
 10 X-bus  
 55[3] = 58 nS

**XBus - SU = max(75,60) nS**

17[3] † to SUAddr  
 45 tAA  
 10 X-bus  
 72[3] = 75 nS

17[3] † to CIN-SE-wrSU/EnableSU  
 30 F93422 OE'/CE2 to X-bus  
 10 X-bus  
 57[3] = 60 nS

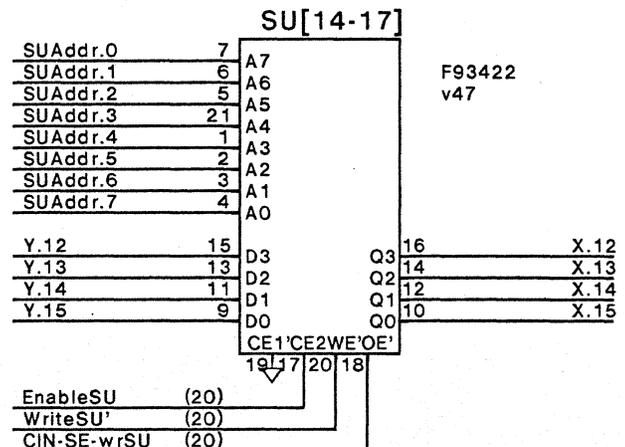
**SU write setup**

5[1] Data setup  
 39 WE  
 44[1] = 45 nS

**AltUAddr setup**

5[1] 25S09 setup  
 8[1] Y->pU  
 13[2] = 15 nS (26 if LS257)

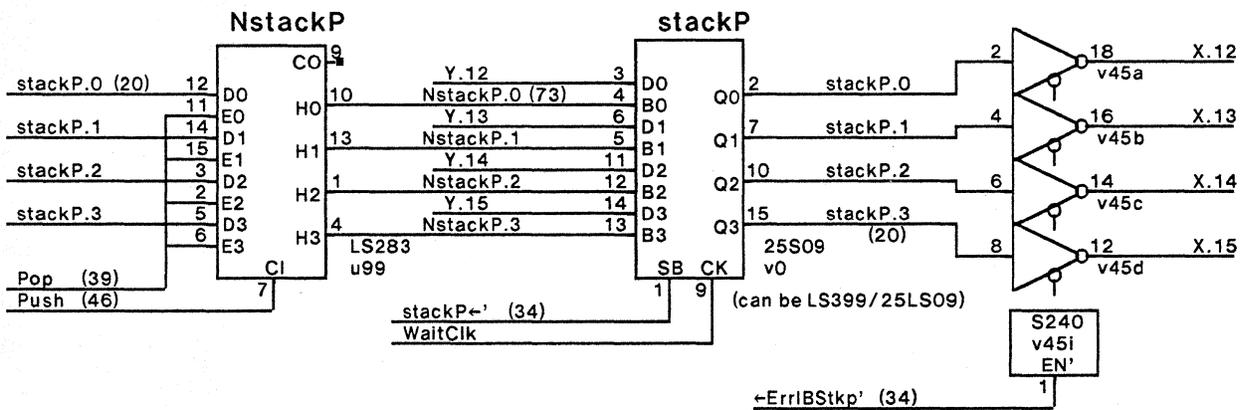
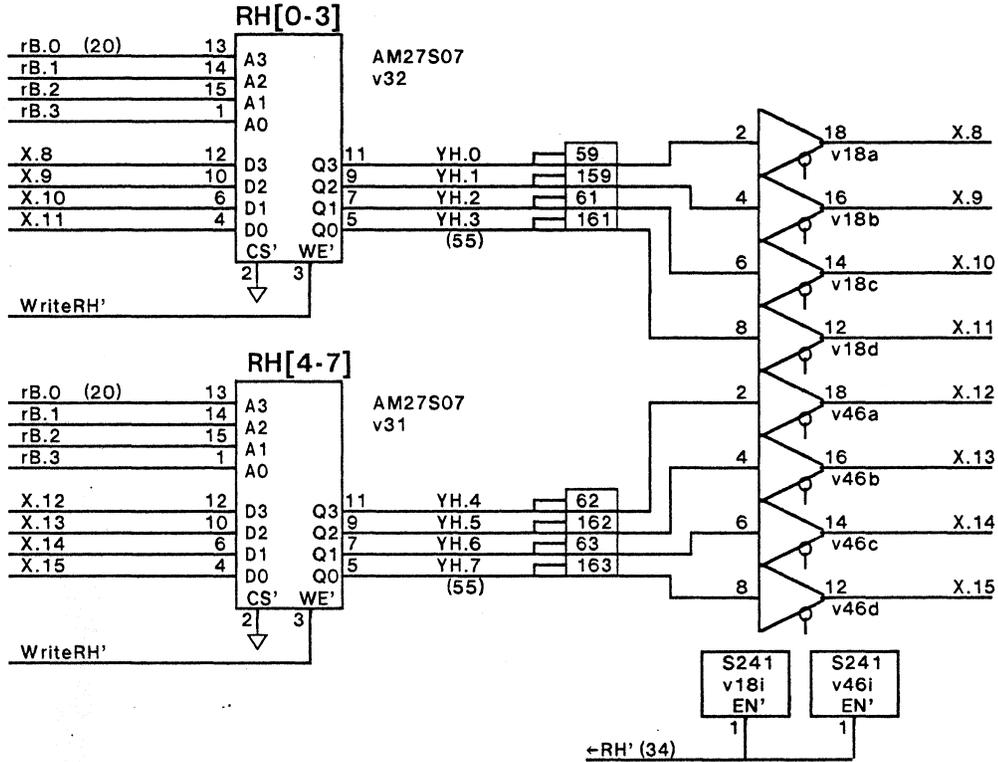
F93422 data t-hold = 5 nS



**RH Setup**  
 7[1] S240  
 25[3] S189 setup  
 32[4] = 36 nS

**XBus - RH = max(64, 59) nS**  
 17[3] t to rB'  
 35 S189 tAA (wr recovery = 35 nS)  
 9 YH to X  
 10 X-bus  
 71[3] = 74 nS  
 34 t to -RH'  
 15 S241 EN' to X-bus  
 10 X-bus  
 59 nS

If the S189 must be used instead of the 29701, then place S240 between Xbus & S189 inputs.



**XBus - stackP = max(59, 38) nS**

17[3] t to stackP  
 7 S240 data to X-bus  
 10 X-bus

34[3] = 38 nS

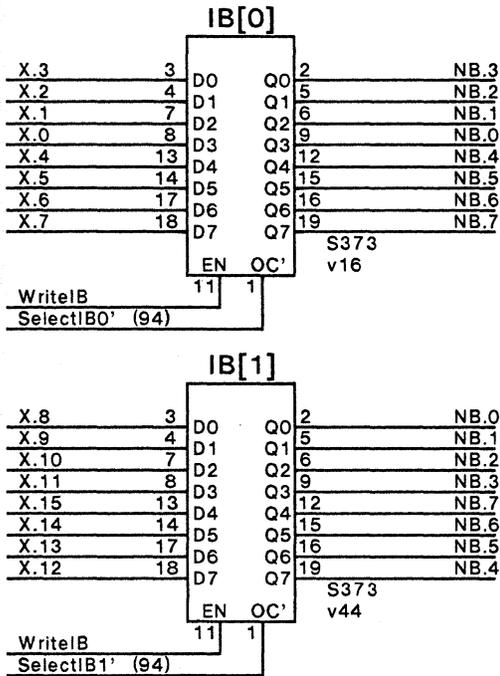
**push timing**

34 t to -ErrIntstackP'  
 15 S240 EN' to X-bus  
 10 X-bus

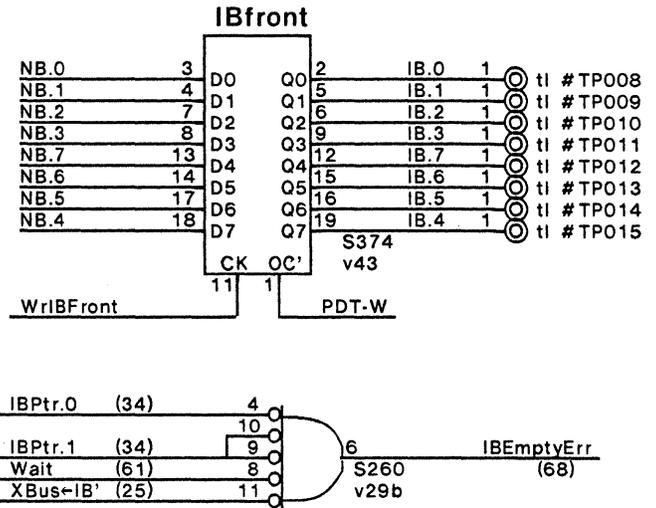
46 t to Push  
 24[3] Push to NstackP  
 5[1] 25S09 setup

59 nS

75[4] = 79 nS



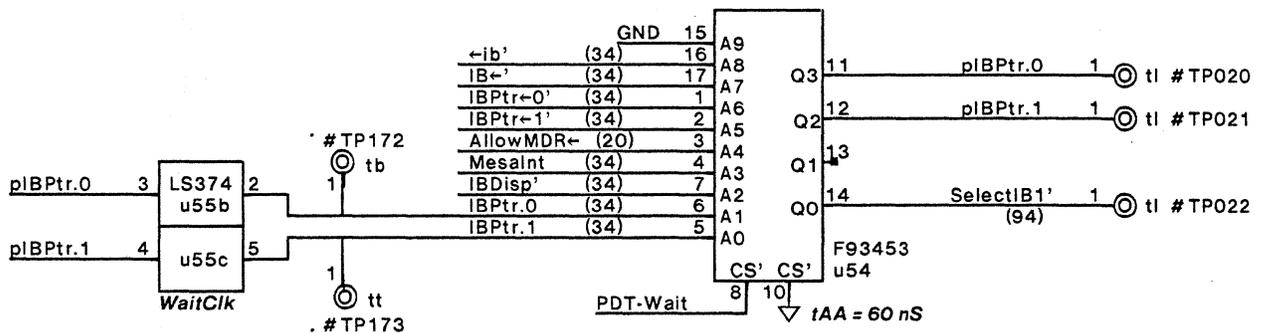
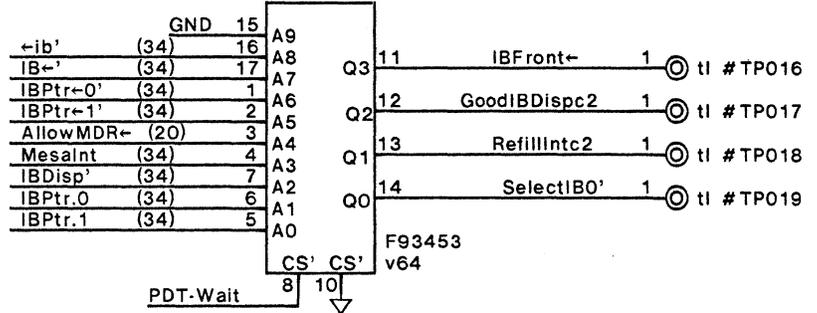
S373 t<sub>hold</sub> = 10 nS, t<sub>setup</sub> = 0 nS.  
(falling edge of WriteIB occurs 4 nS before rising edge of Clk.)



**IBfront-IB[1]**

- 34 t to IBPtr-1'
- 60 tAA
- 18[2] SelectIB1' to NB
- 20[2] LS374 setup
- 132[4] = 136 nS

**IBProm-PC.0-RevG**



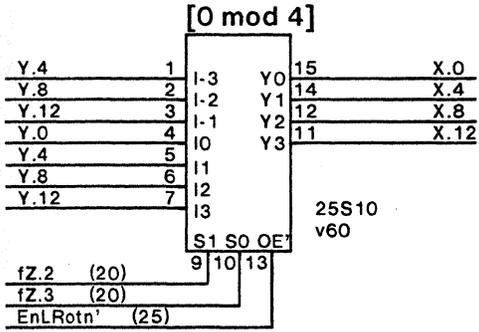
**IBProm-PC.4-RevG**

**Timing for HM7649 IBProm:**

**IBFront - Xbus = (x + 37, x + 36) nS**

x	Xbus to IB	x	Xbus to IB	94	WriteIB rises
43	WriteIB rises 43 nS before end of cycle	13[1]	S373 Data to NB	18[2]	S373 EN to NB
-6	Difference between S373 "EN to Q" and "Data to Q" =	20[2]	LS374 setup	20[2]	LS374 setup
x + 37 nS	18[2] - 13[1] = 6 nS. Data can arrive 6 nS after WriteIB goes high.	x + 36 nS		132[4] = 136 nS	

**LRotn**

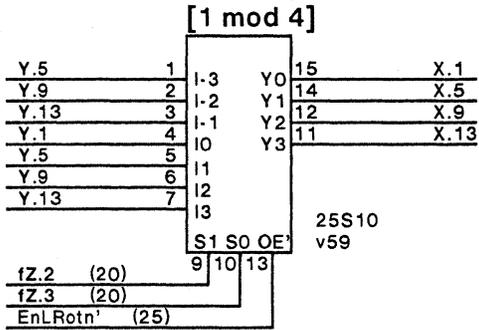


**Zero disable X-bus**

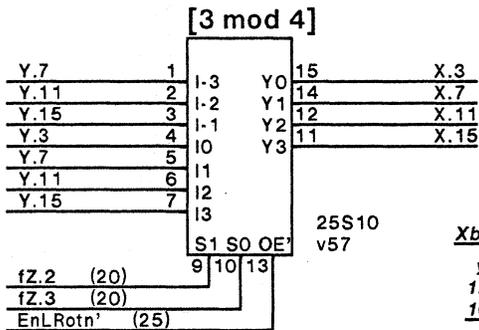
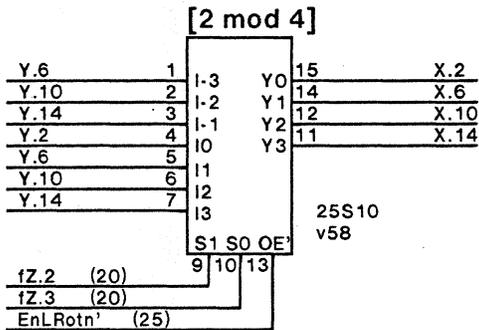
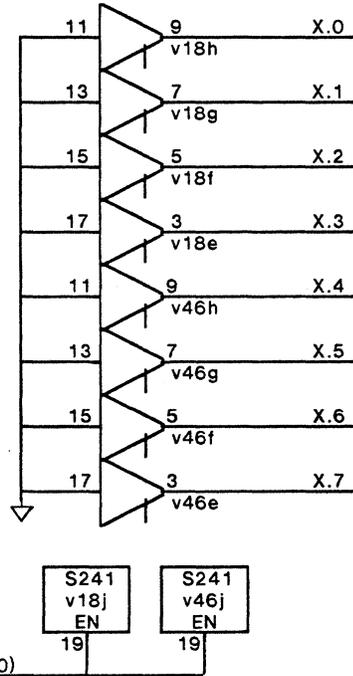
30  $t$  to Xhigh-0  
 15 S241 EN to X-bus  
 10 X-bus  
 55 nS

**Xbus[0-7] - 0**

30  $t$  to Xhigh-0  
 15 S241 OE  
 10 X-bus  
 55 nS



**Zero High XBus**



$Xbus - YLRotn = \max(y + 22, 56, 50) nS$

$y$   $t$  to Y bus  
 12 25S10 data in to out  
 10 X-bus  
 $y + 22 nS$   
 25  $t$  to EnLRotn'  
 21 25S10 OE  
 10 X-bus  
 56 nS  
 20  $t$  to fZ.2  
 20 25S10 Select to X-bus  
 10 X-bus  
 50 nS

**LRotn disable X-bus**

25  $t$  to EnLRotn'  
 15 25S10 OE' to X-bus  
 10 X-bus  
 50 nS

fZ.2	fZ.3	
0	0	Left 0
0	1	Left 12
1	0	Left 8
1	1	Left 4

**IB disable X-bus**

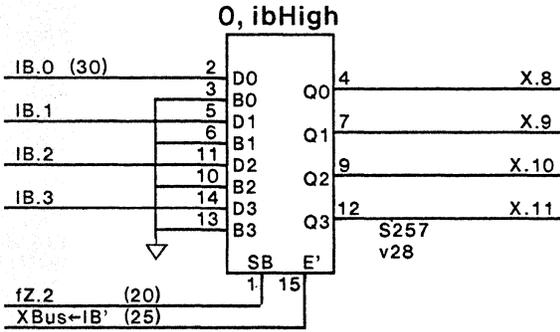
25 † to XBus-IB'  
 14 S257 E' to X-bus  
 10 X-bus  
 49 nS

**Byte disable X-bus**

25 † to Nibble'  
 14 S257 E' to X-bus  
 10 X-bus  
 49 nS

**Nibble disable X-bus**

25 † to Nibble'  
 15 S241 EN' to X-bus  
 10 X-bus  
 50 nS



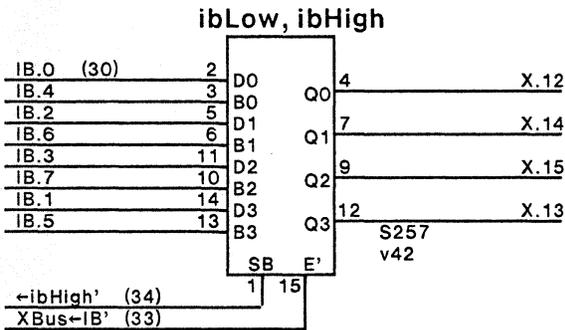
$Xbus-IB = \max(56, 56, 59) nS$

34[4] † to IB  
 8 S257 data to Xbus  
 10 X-bus

$52[4] = 56 nS$

25 † to Xbus-IB'  
 21 S257 E' to Xbus  
 10 X-bus  
 56 nS

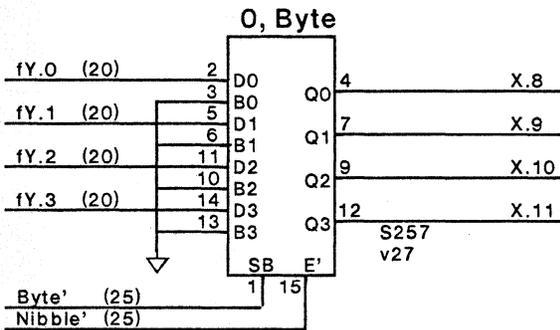
34 † to -ibHigh'  
 15 S257 SB to Xbus  
 10 X-bus  
 59 nS



$Xbus - Nibble = \max(39, 50) nS$

20 † to fZ  
 9 S241 data to X-bus  
 10 X-bus  
 39 nS

25 † to Nibble'  
 15 S241 EN' to X-bus  
 10 X-bus  
 50 nS



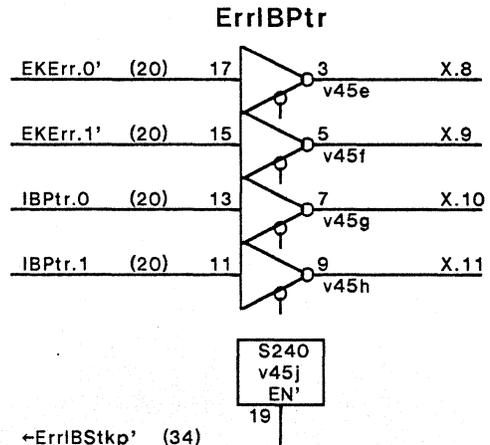
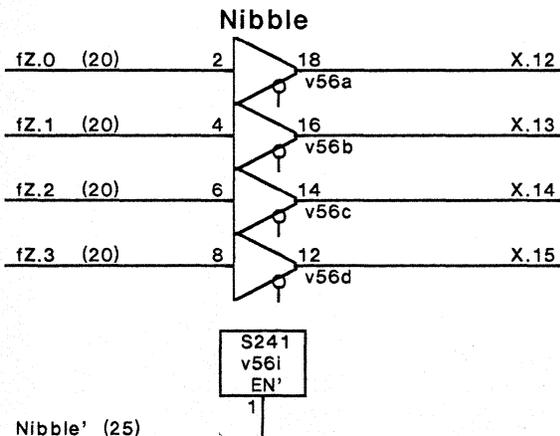
$Xbus - Byte = \max(38, 56, 50) nS$

20 † to fY  
 8 S257 data to X-bus  
 10 X-bus  
 38 nS

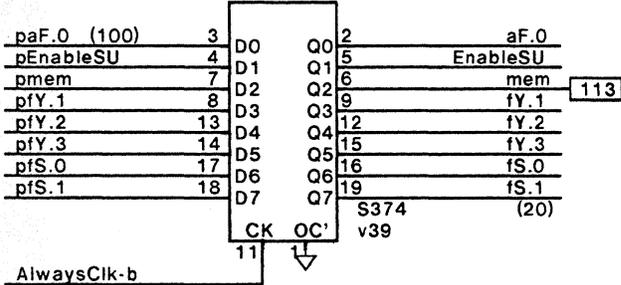
25 † to Nibble'  
 21 S257 E' to X-bus  
 10 X-bus  
 56 nS

25 † to Byte'  
 15 S257 SB to Xbus  
 10 X-bus  
 50 nS

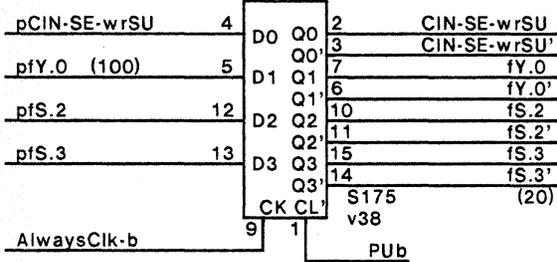
See stackP timings for ErrIBPtr



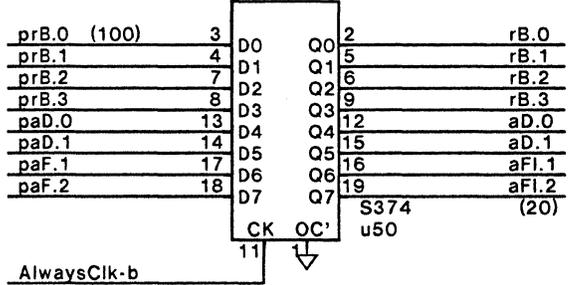
aF.O, EnSU, mem, fY, fS



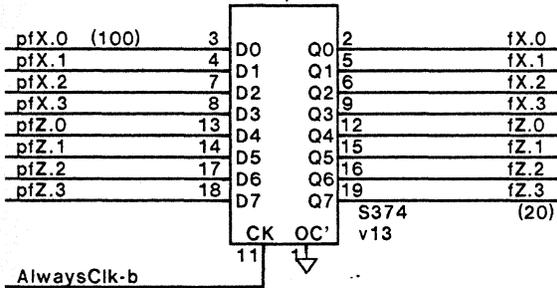
Cin, fY.O, fS



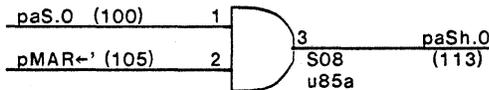
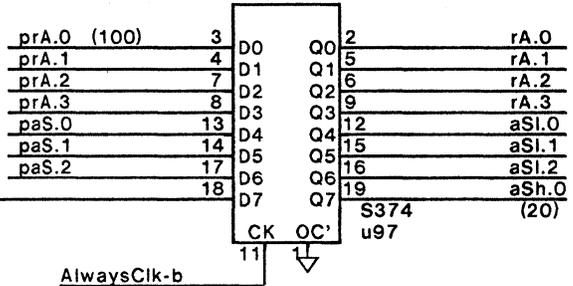
rB, aD, aFI



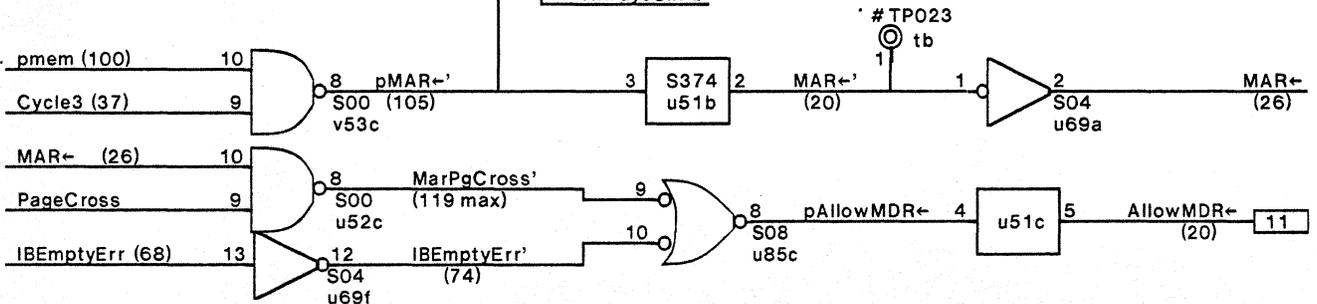
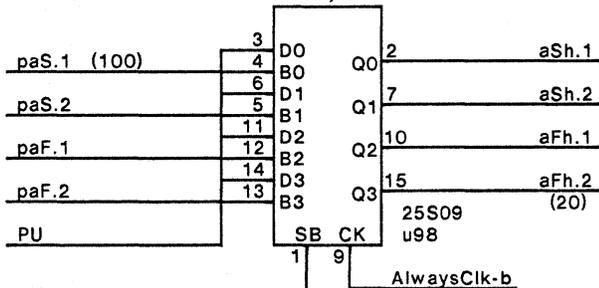
fX, fZ

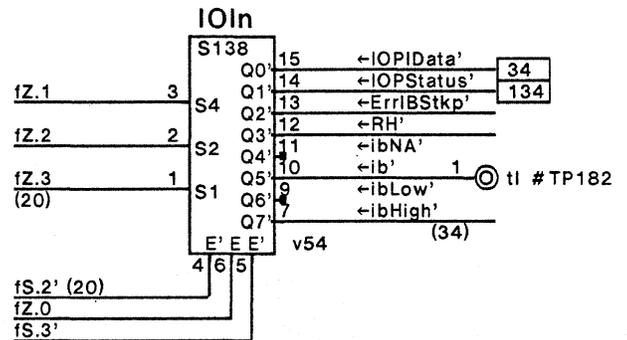
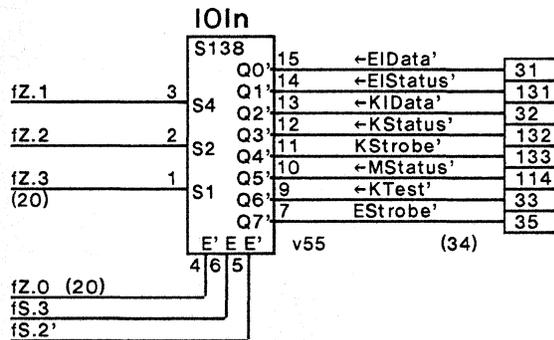
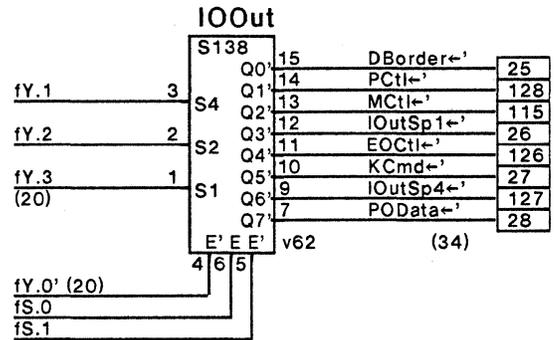
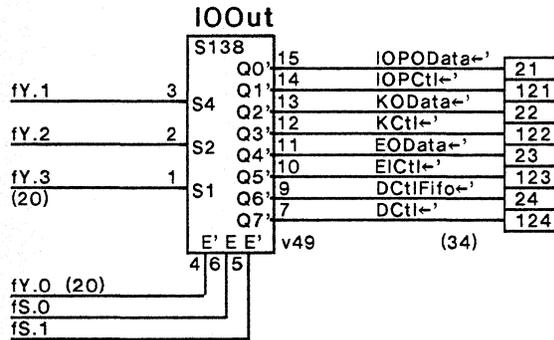
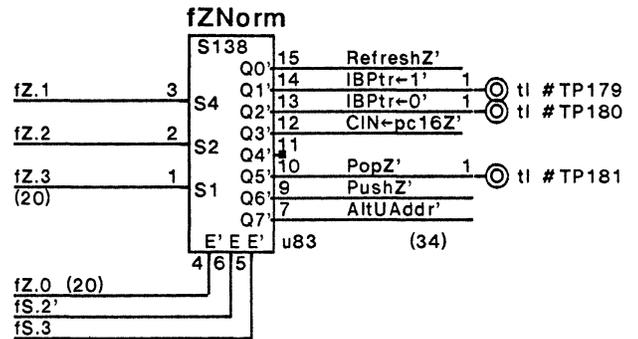
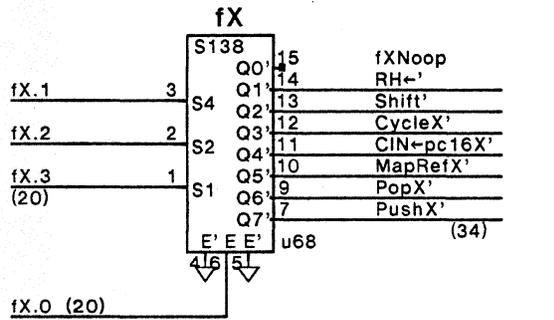
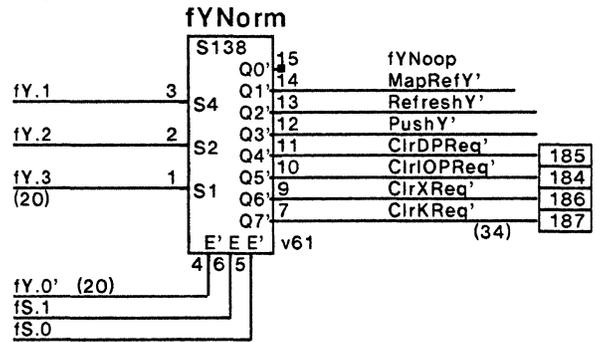
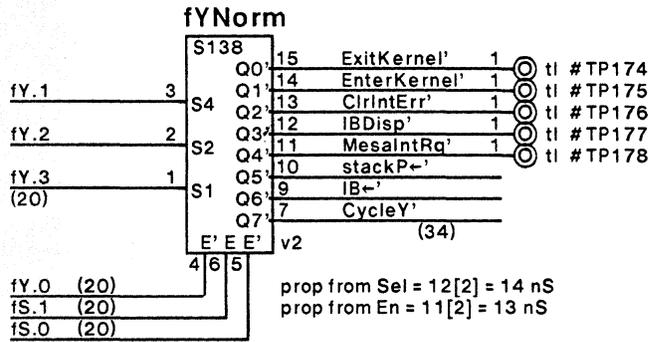


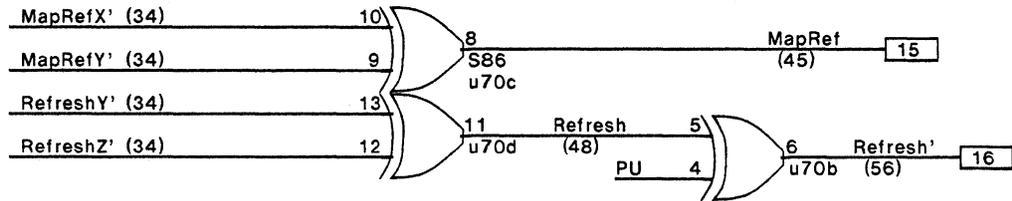
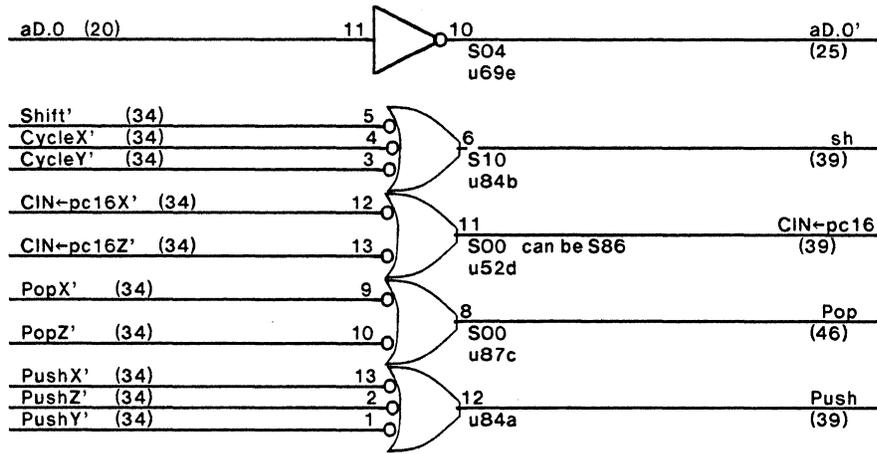
rA, aS



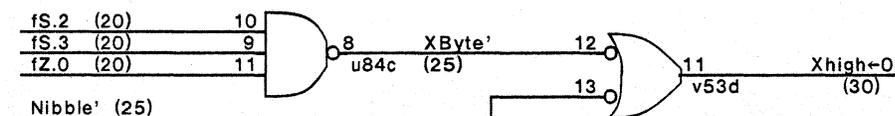
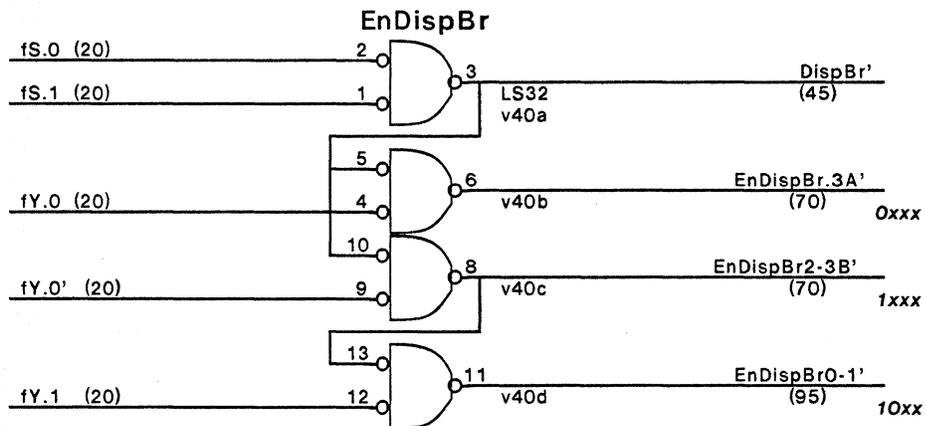
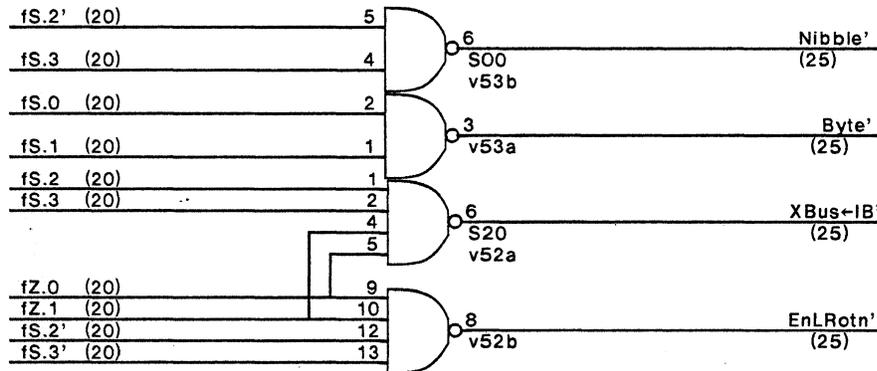
aSh, aFh







*This change is made here because it was not made in the MCI card. Note that it exceeds the Max timing*



$DispBr[0-1] = \max(c + 32, 69, 133)$

- 20 t to fY
- 24[3] S151 select to DispBr
- 18 DispBr' setup

64[3] = 69

- 95 t to EnDispBr0-1'
- 18[2] S151 E' to DispBr
- 18 DispBr' setup

131[2] = 133 nS

- c condition source
- 12[2] S151 data to DispBr
- 18 DispBr' setup

$c + 30[2] = c + 32$

DispBr setup

- 5 S00 in to pTC
- 6[1] S64 in to pNIA
- 5[1] 25S09/S374 setup
- 18 nS

$DispBr[2-3] = \max(c + 26, 55, 103)$

- 20 t to fY
- 15[2] S151 select to DispBr
- 18 DispBr' setup

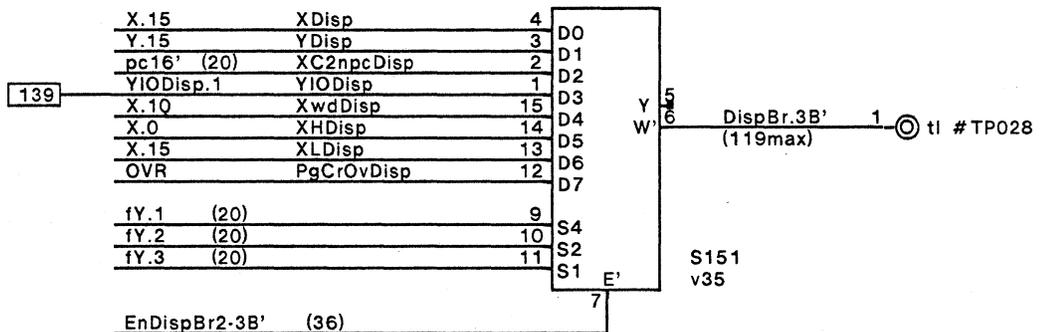
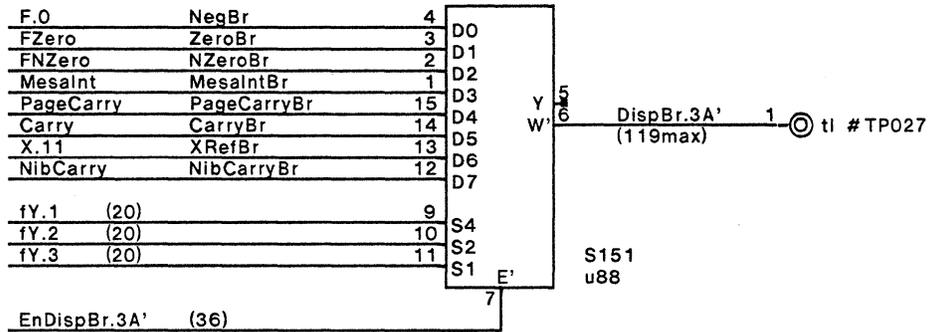
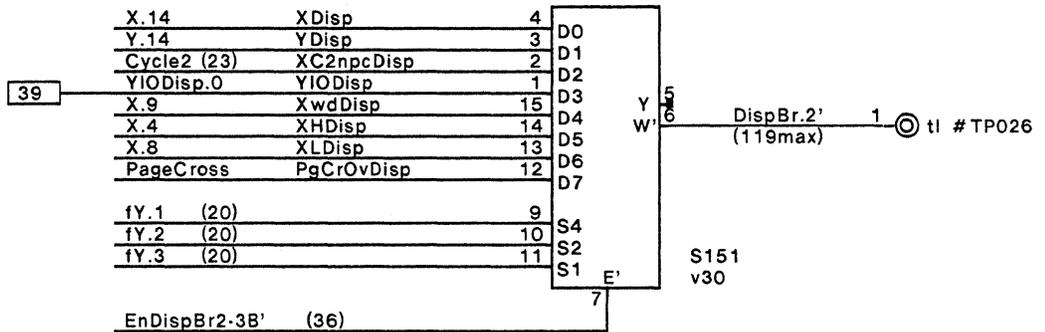
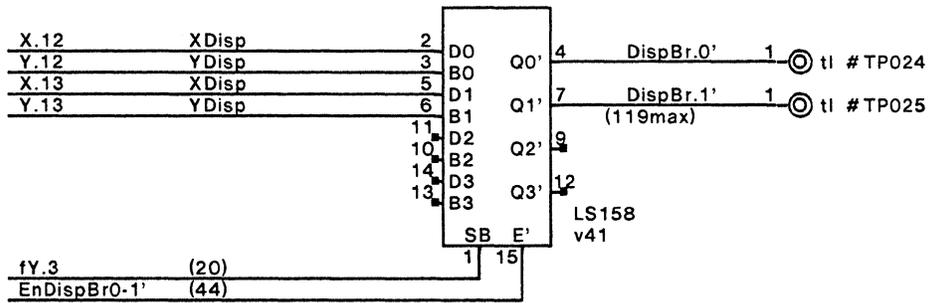
51[4] = 55 nS

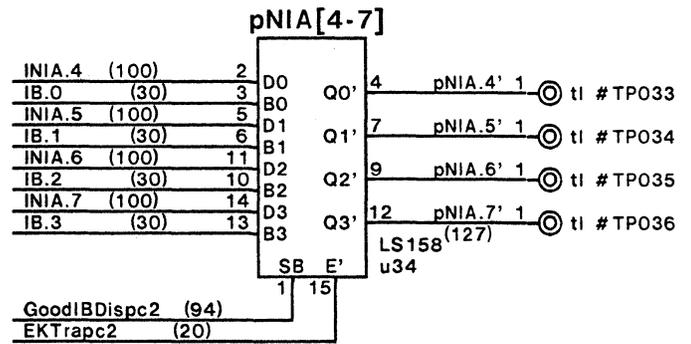
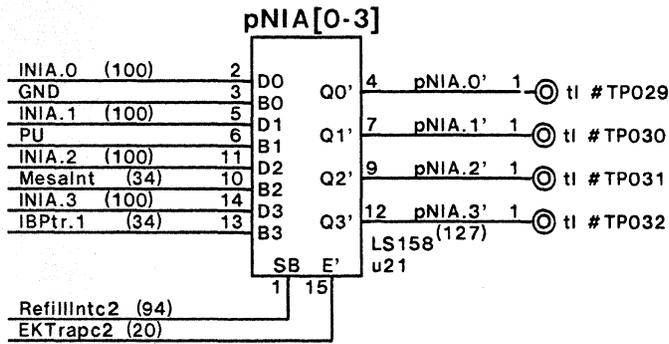
- 70 t to EnDispBr.3A'
- 13[2] S151 E' to DispBr
- 18 DispBr' setup

101[2] = 103 nS

- c condition source
- 7[1] S151 data to DispBr
- 18 DispBr' setup

$c + 23[3] = c + 26$  nS

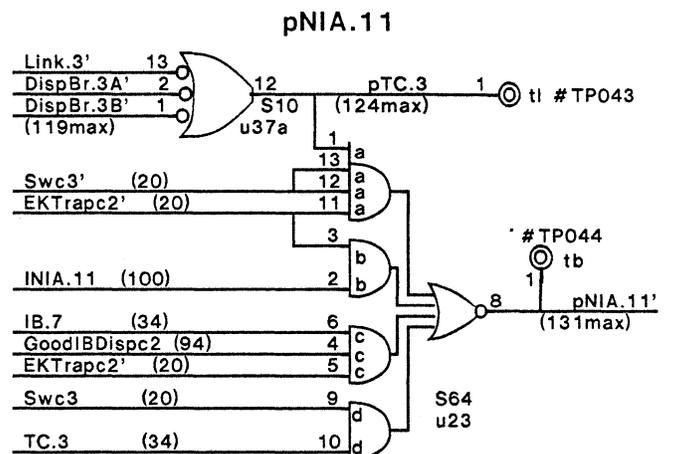
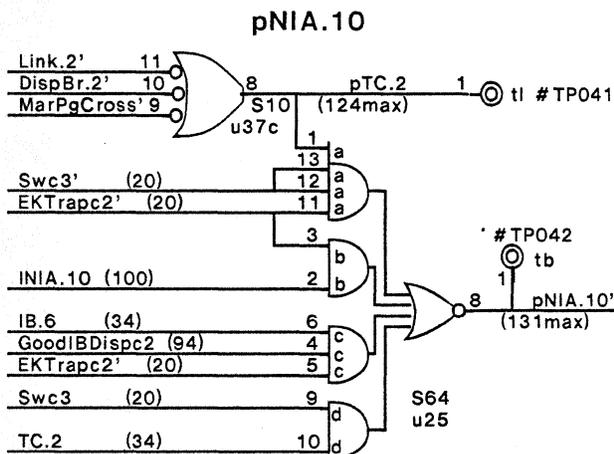
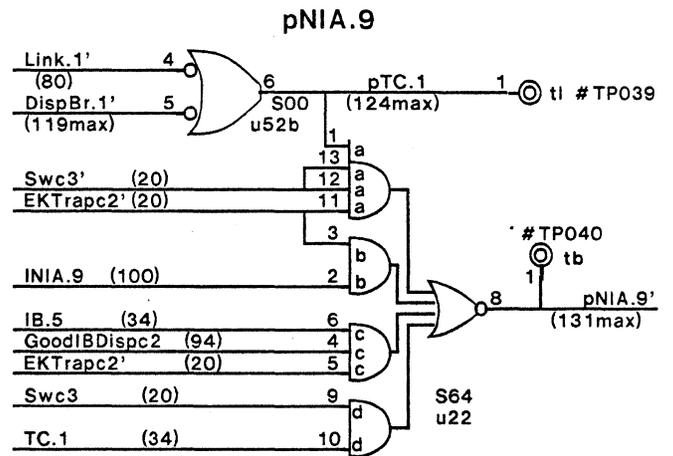
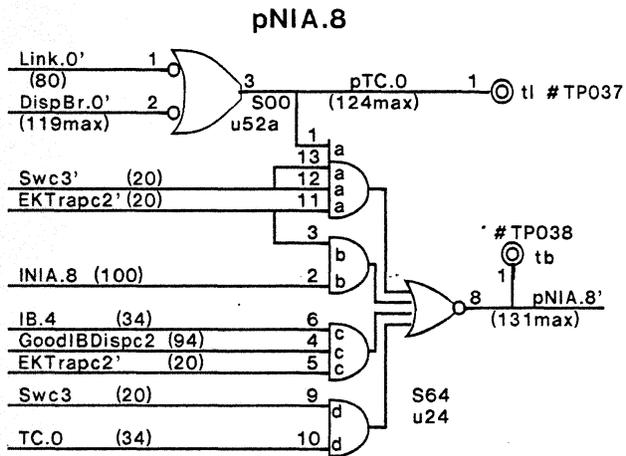


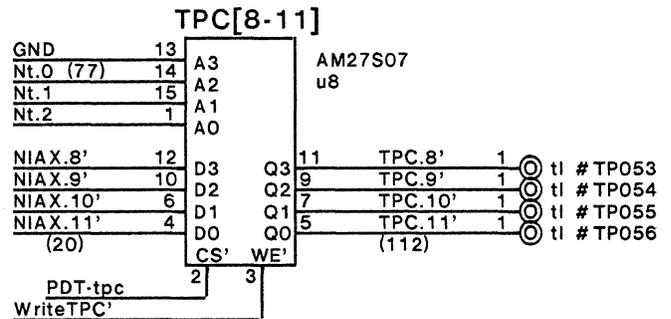
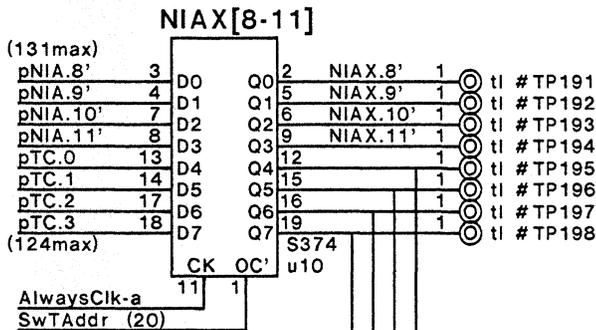
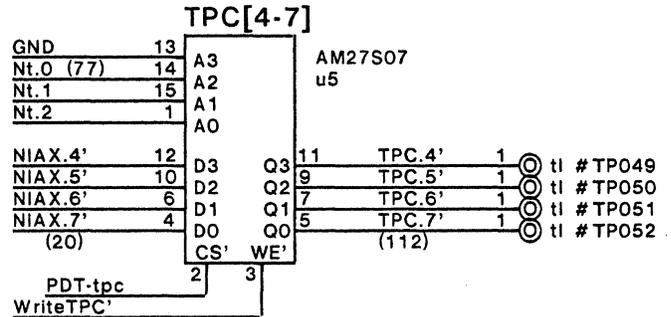
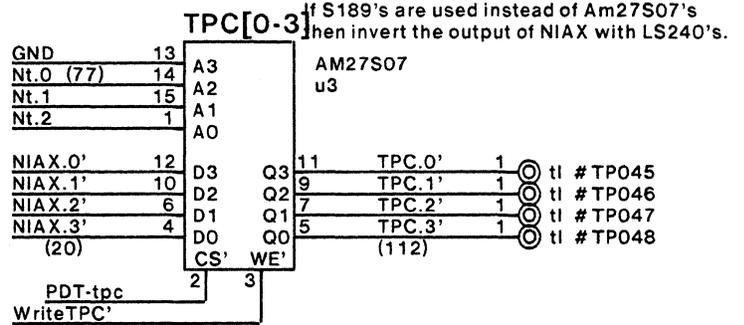
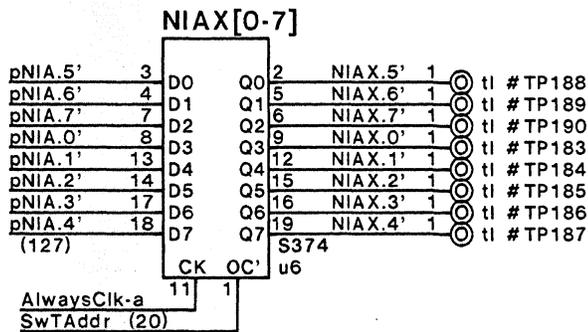


**pNIA[0-7] = max(127, 120, 46) nS**

94	↑ to RefillIntc2	100	↑ to INIA	20	↑ to EKErrc2
24[3]	LS158 SB to pNIA'	12[2]	LS158 data to pNIA'	18[2]	LS158 E' to pNIA'
5[1]	25S09/S374 setup	5[1]	25S09/S374 setup	5[1]	25S09/S374 setup
123[4]	= 127 nS	117[3]	= 120 nS	43[3]	= 46nS

(See page 11 for pNIA[8-11] timing)





TPC/TC timing

77 t to Nt

35 Am27S07 tAA

5[1] 25S09/S374 setup

117[1] = 118 nS

Link timing

20 t to fX

35 Am27S07 tAA

22[3] pLink' to Link'

18 DispBr' setup

95[3] = 98 nS

20 t to fX.0, NIAX.7'

22[3] fX.0 to pRet'

22[3] pRet' to Link'

18 DispBr' setup

82[6] = 88 nS

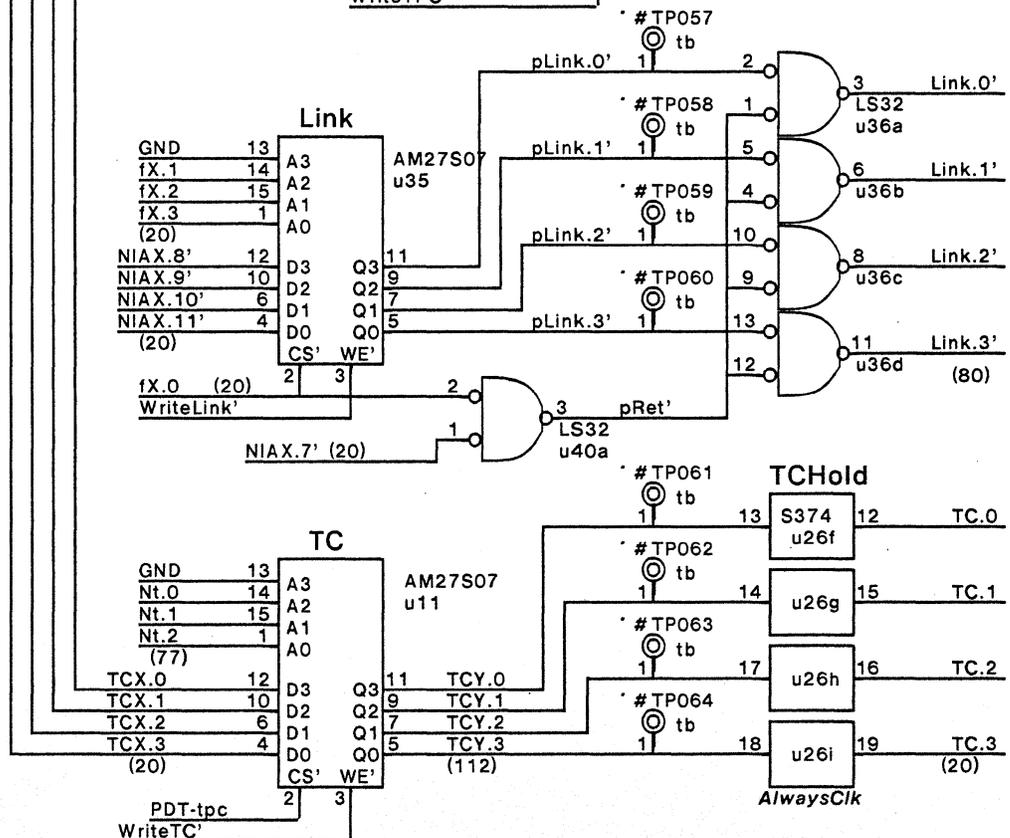
If only pullups were used on output of Link (instead of the LS32 kludge), then Link timing would be:

98 WriteLink' active

25[3] WE' to pLink high

18 DispBr' setup

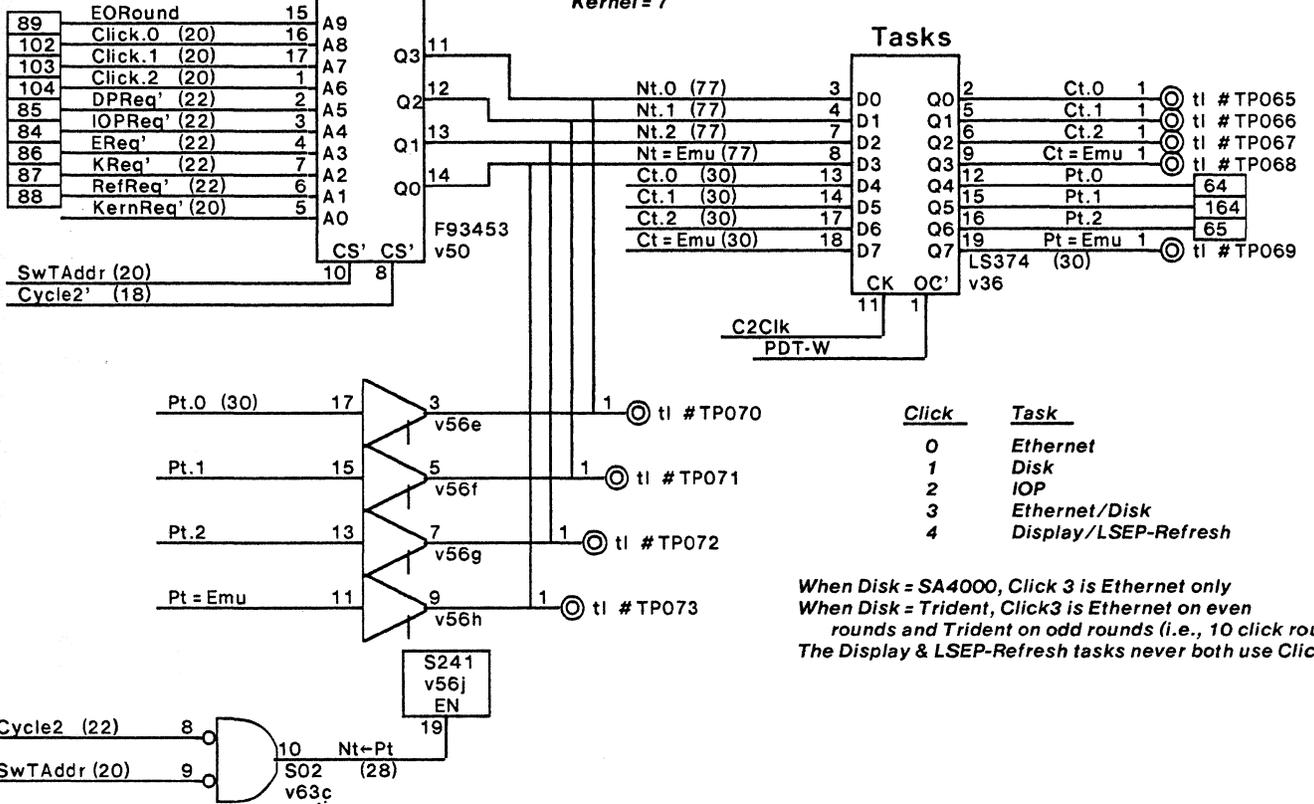
141[3] = 144 nS



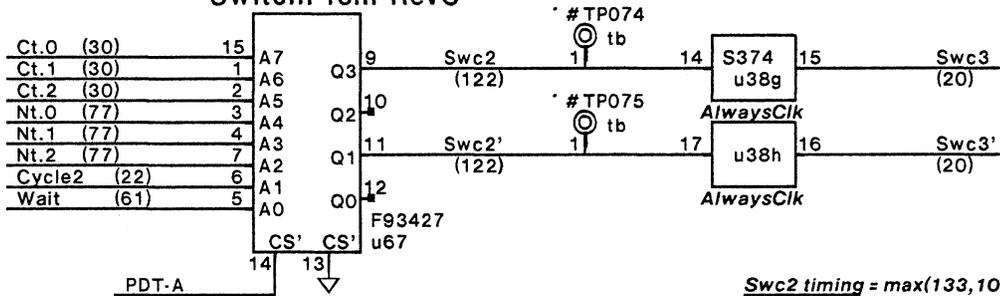
**Nt, Ct, Pt**

Emulator = 0  
 DisplayLSEP = 1  
 Ethernet = 2  
 Refresh = 3  
 Disk = 4  
 IOP = 5  
 control store rd/wr = 6  
 Kernel = 7

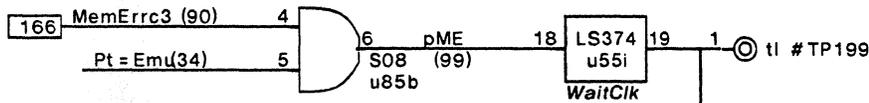
**ScheduleProm-RevD**



**SwitchProm-RevC**



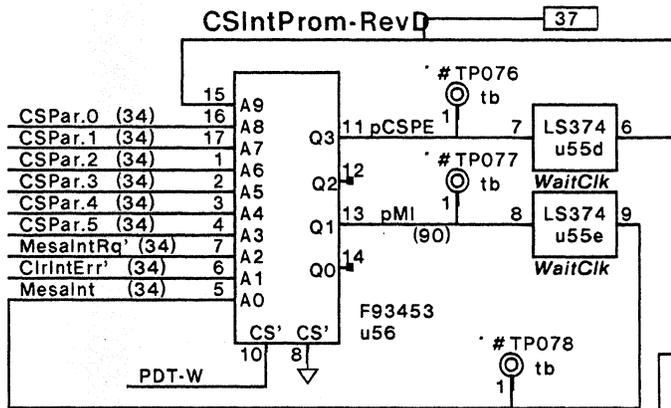
	Nt (Prom)	Nt	Ct	Pt
c1	3-S	Previous	Current	Previous
c2	Next	Next	Current	Previous
c3	3-S	Current	Next	Current



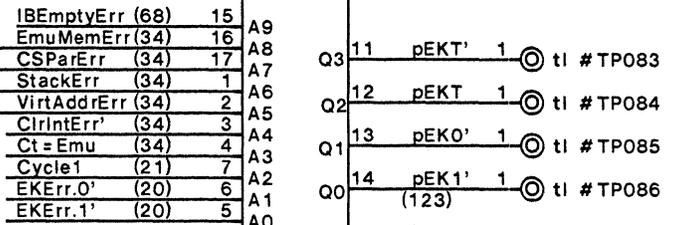
EKErr' at Trap location 0

- 0 IB Empty Err
- 1 StackErr
- 2 Emulator Mem Err OR Virt Addr Err
- 3 CS Parity ERR

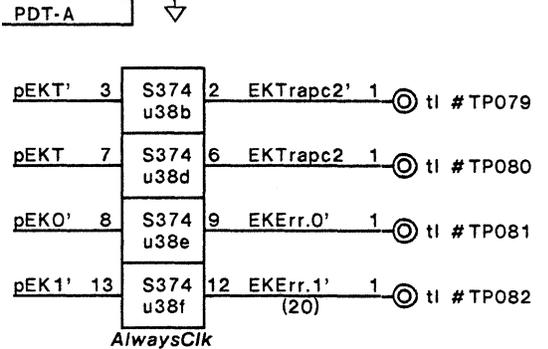
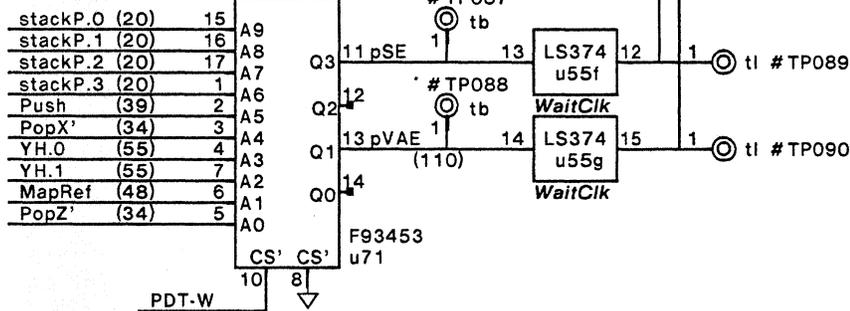
MStatus[8] = EmuMemErr



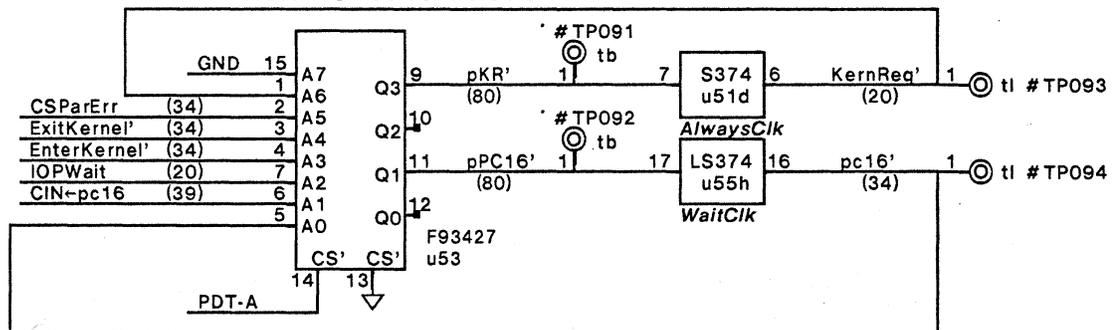
**ErrorProm-RevE**



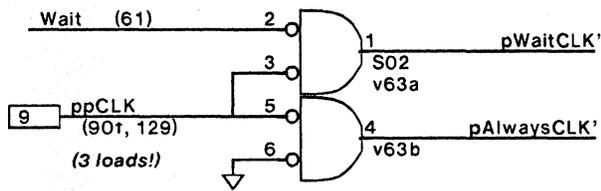
**StackVirtProm-RevH**



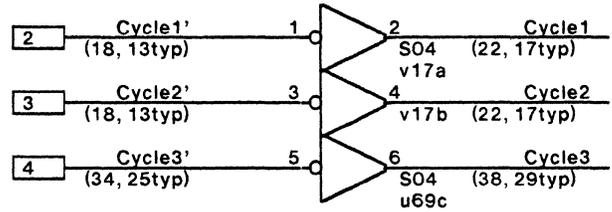
**KernPC16Prom-RevB**



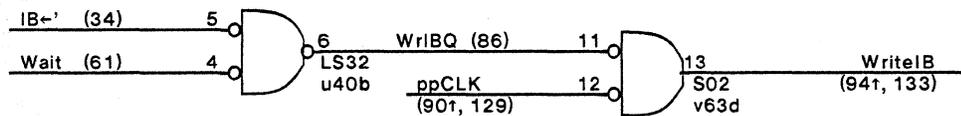
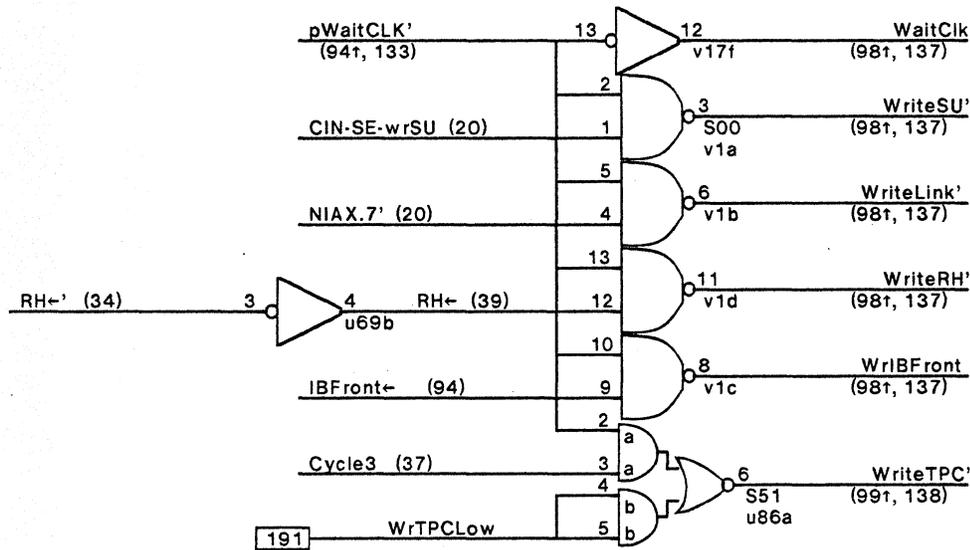
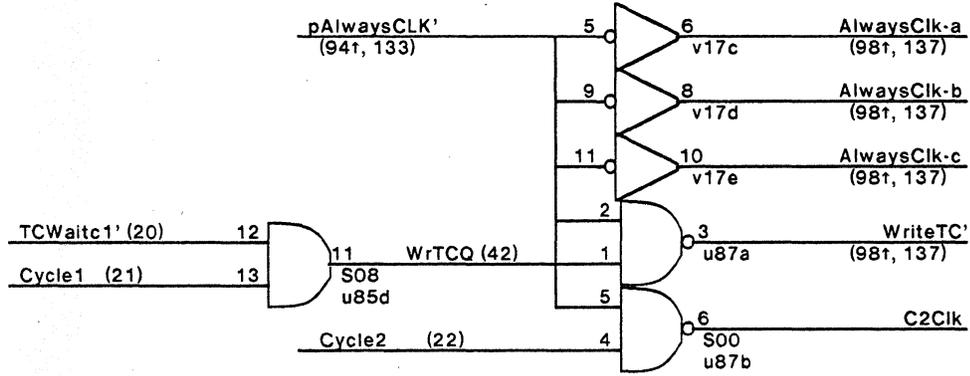
### Clock Receivers



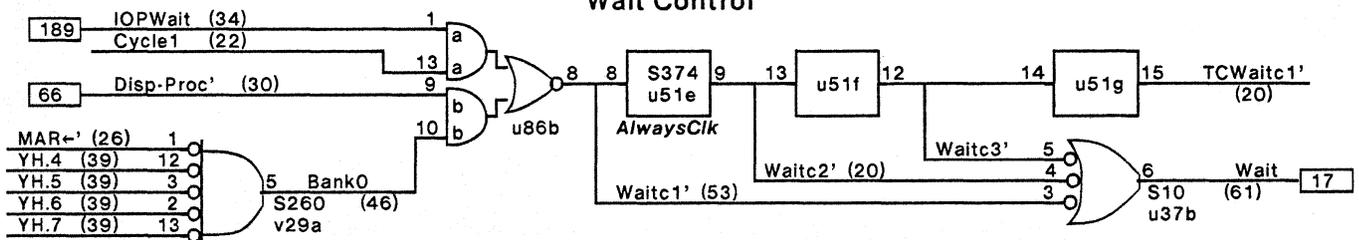
### Cycles



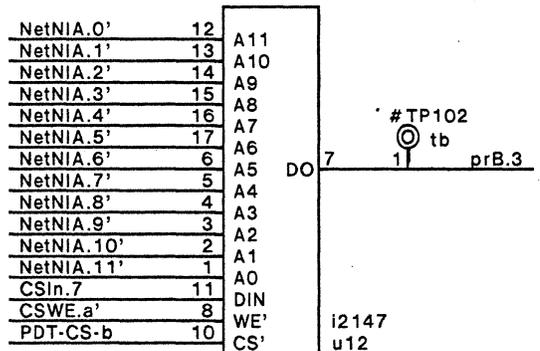
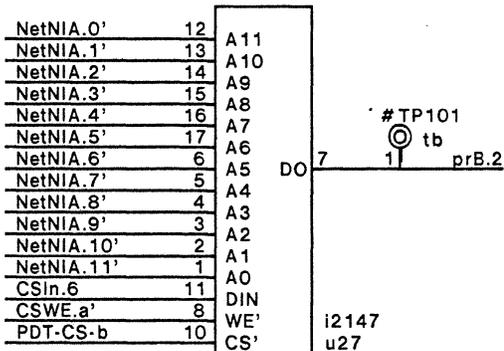
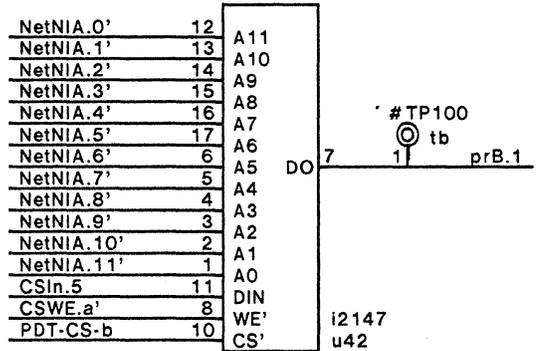
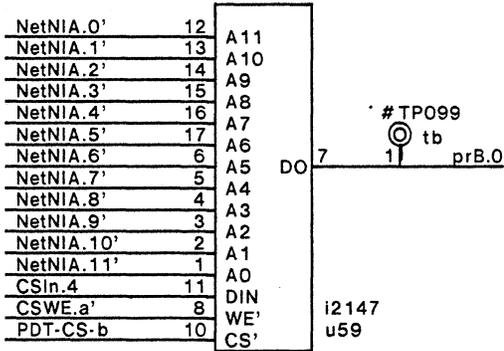
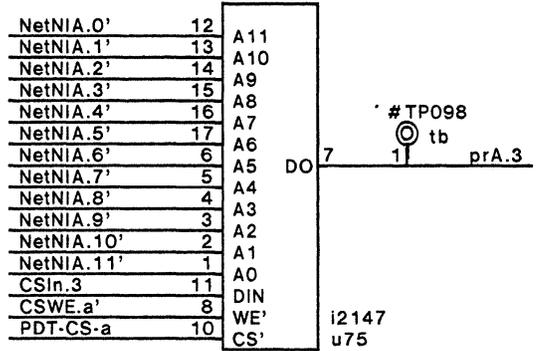
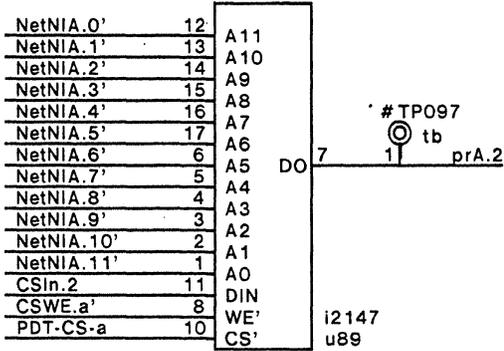
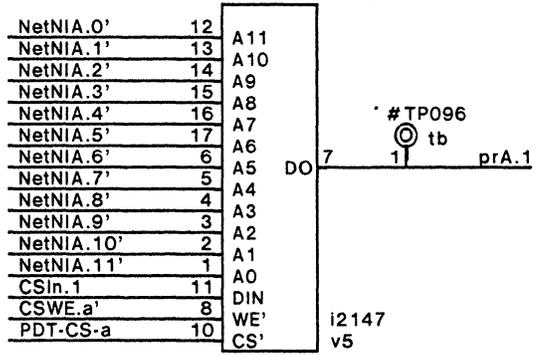
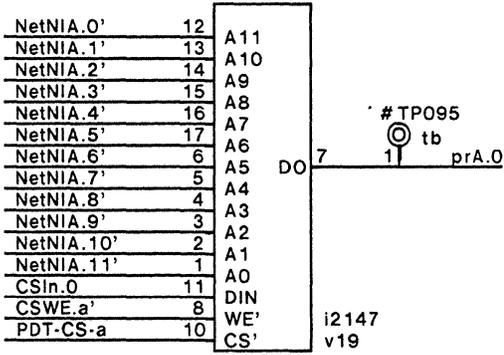
### Qualified Clocks



### Wait Control

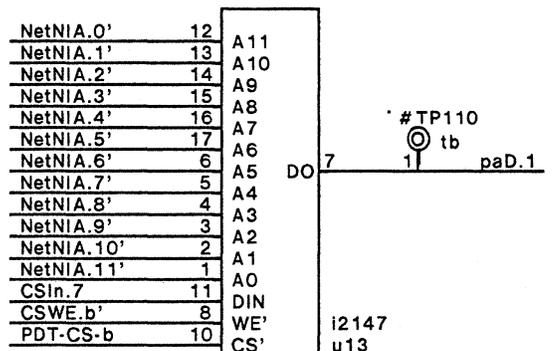
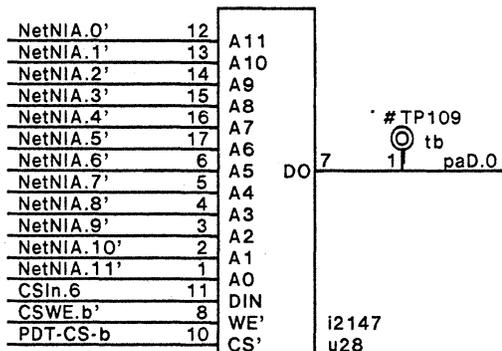
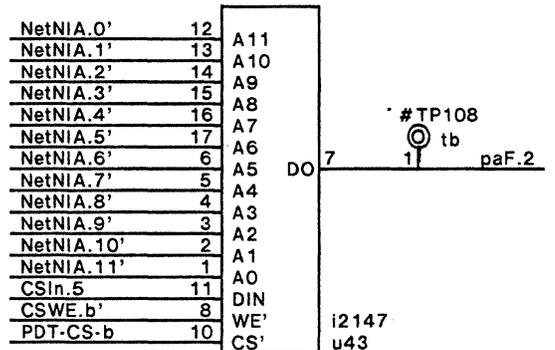
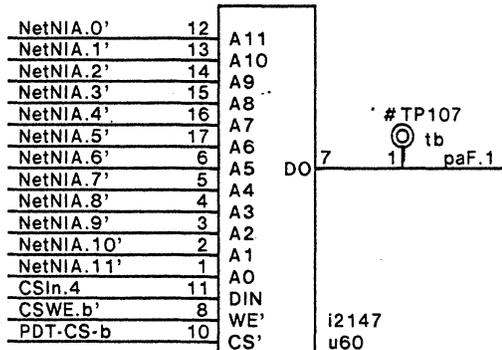
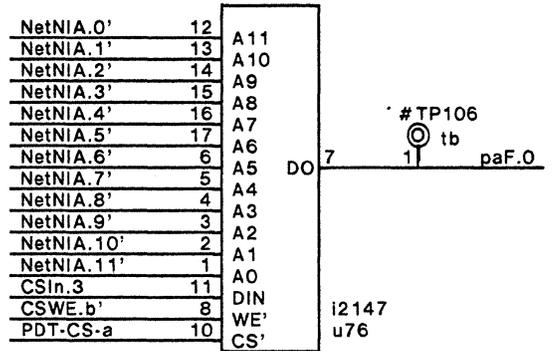
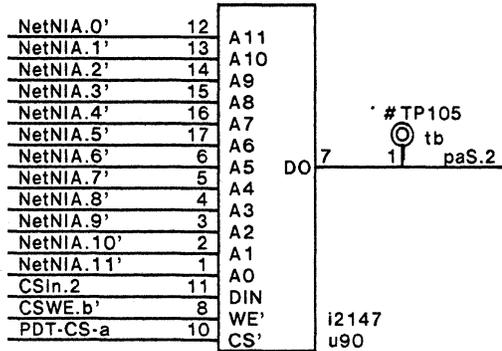
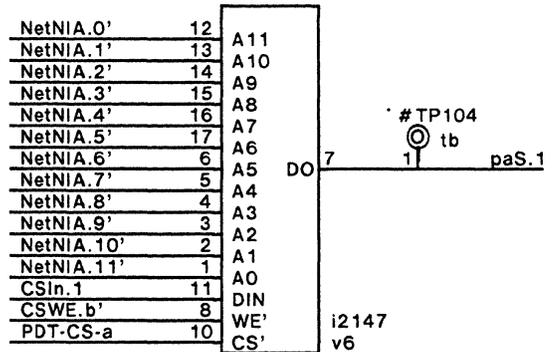
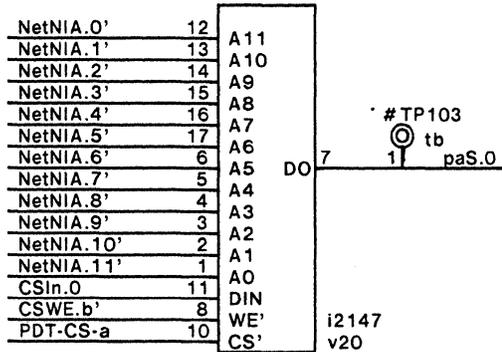


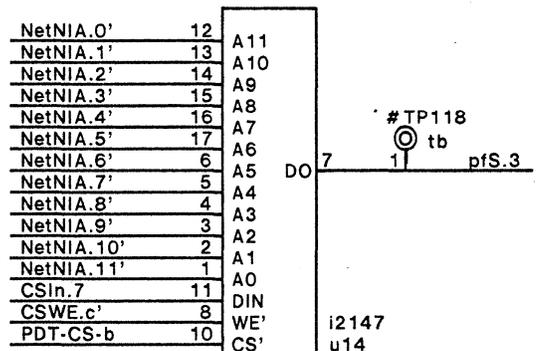
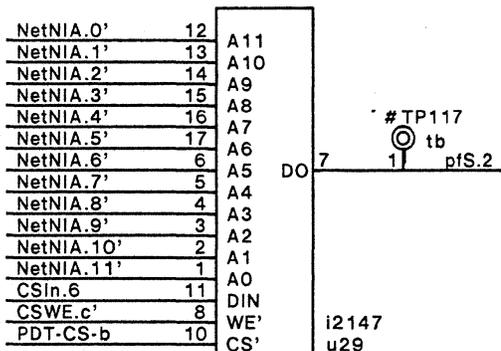
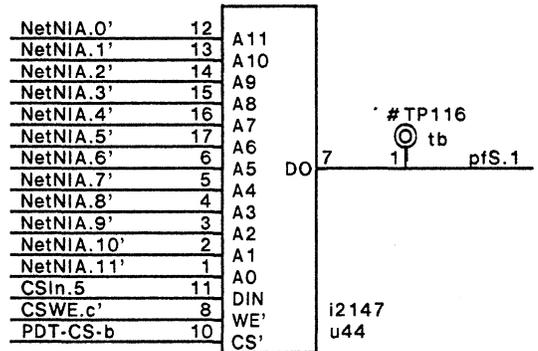
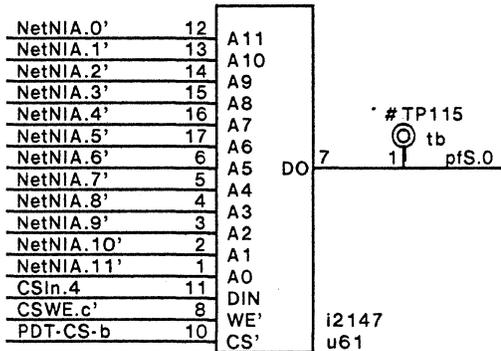
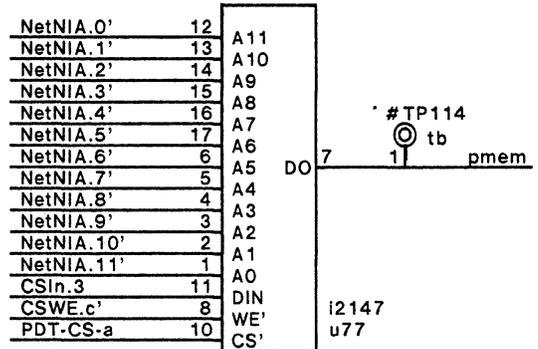
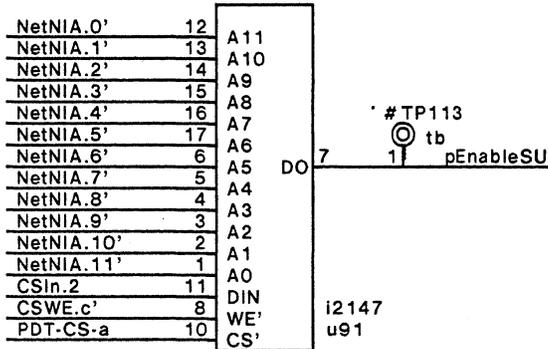
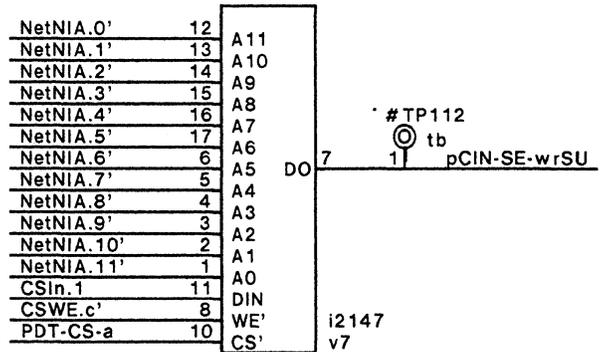
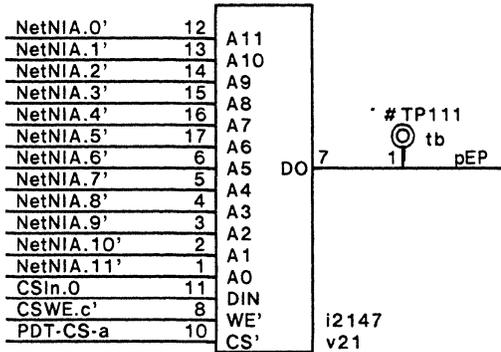
Detects low bank for max 1024K mem.

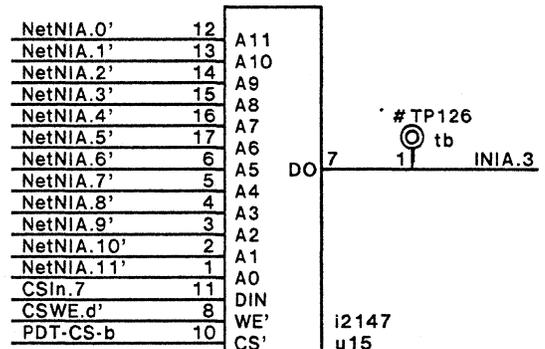
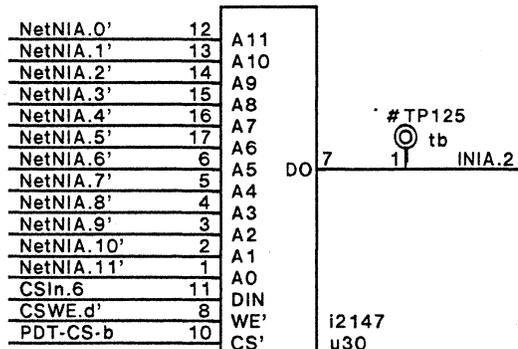
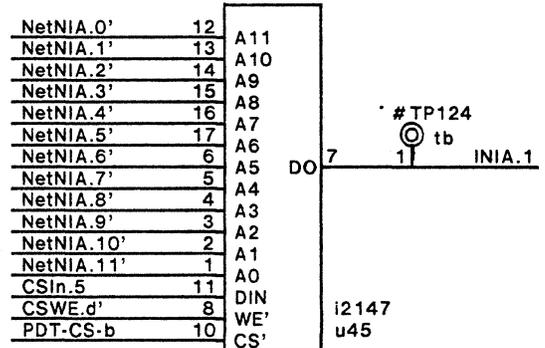
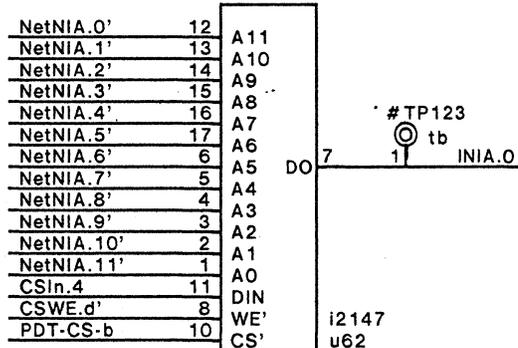
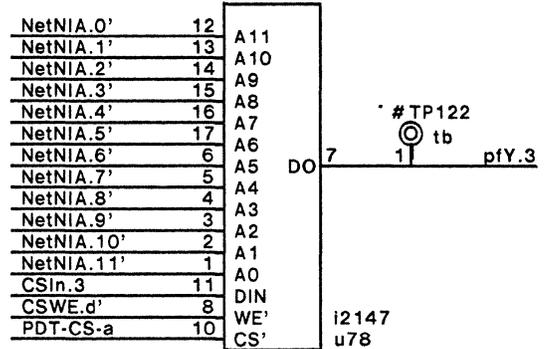
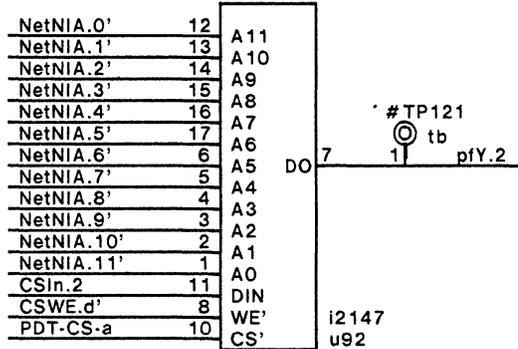
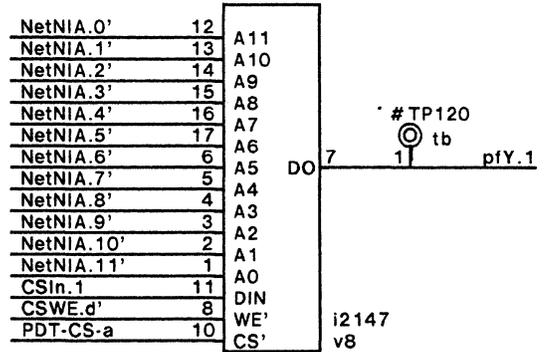
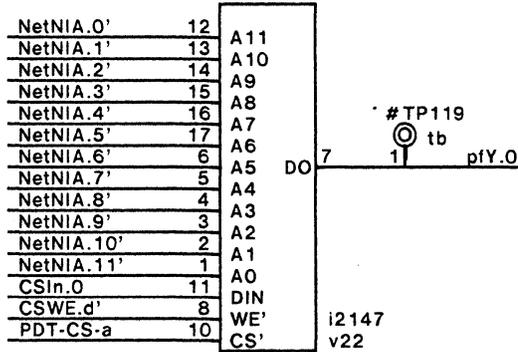


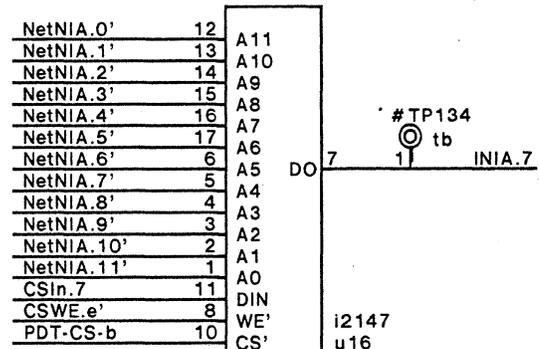
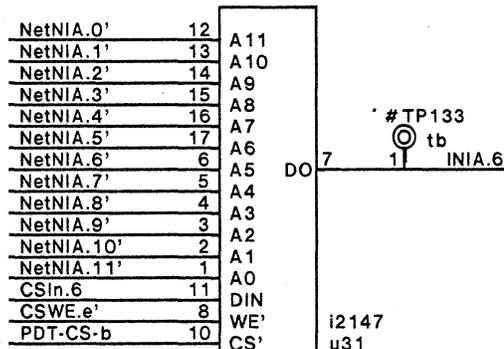
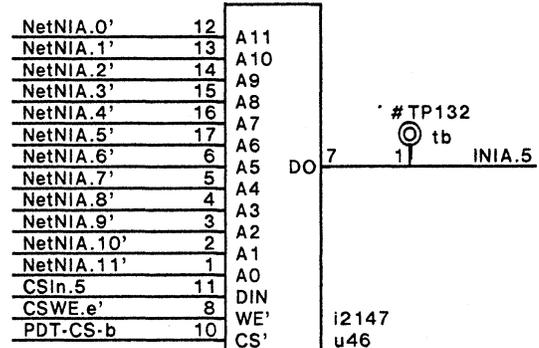
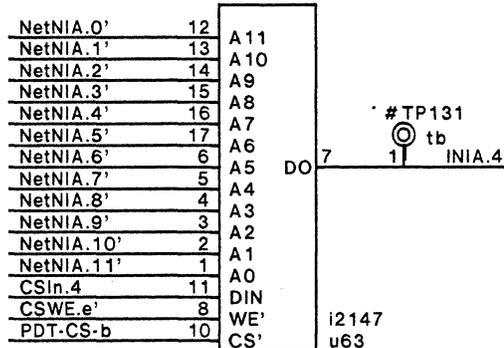
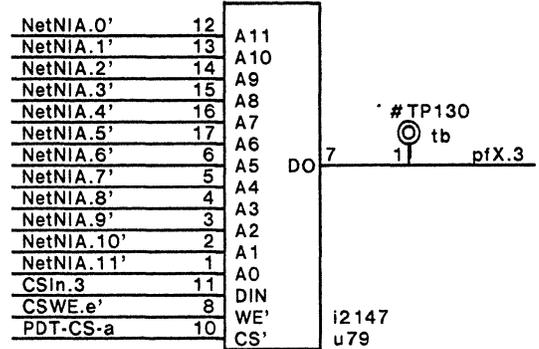
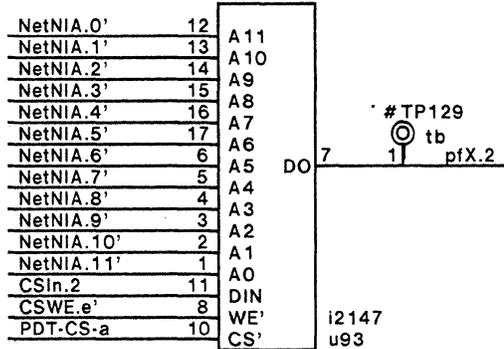
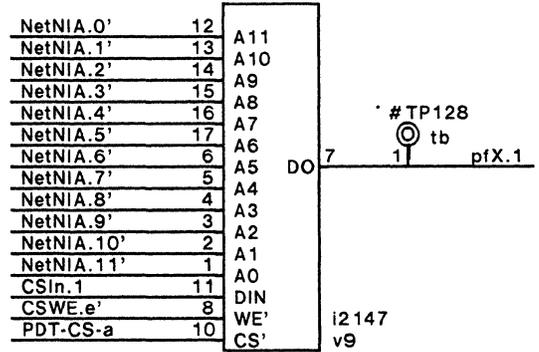
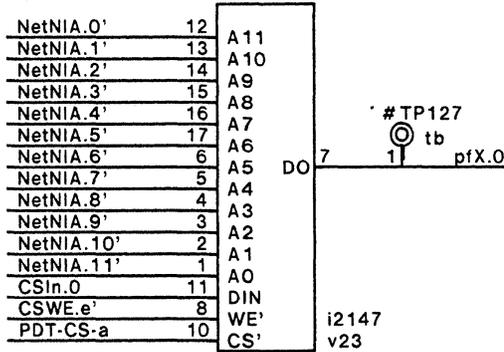
CS Timing

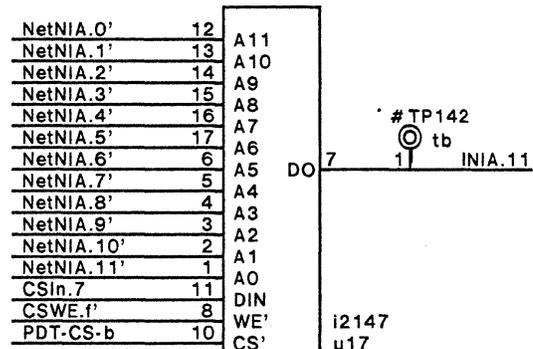
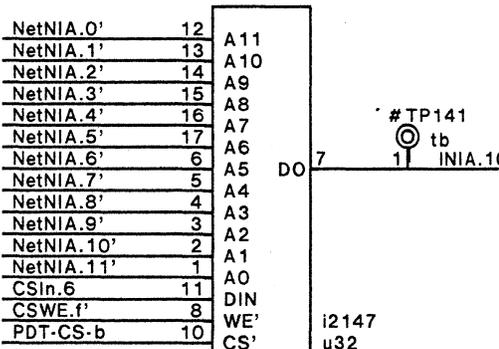
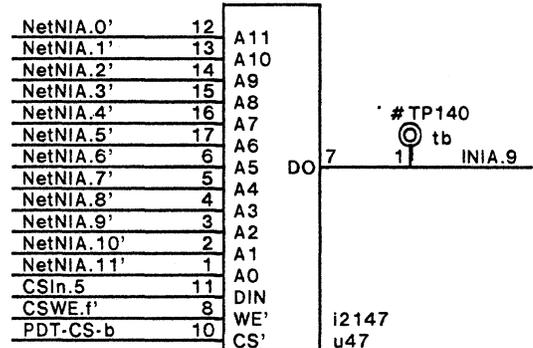
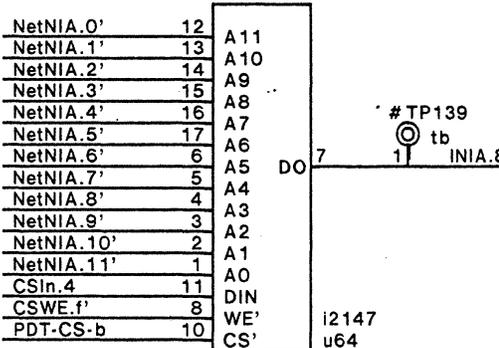
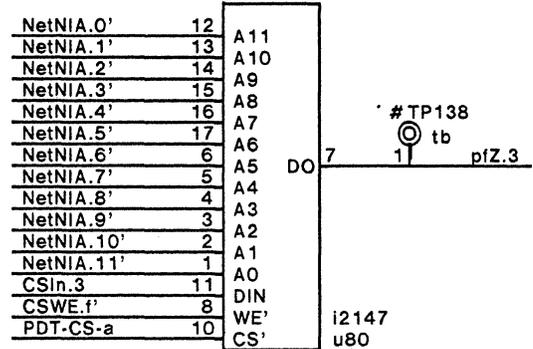
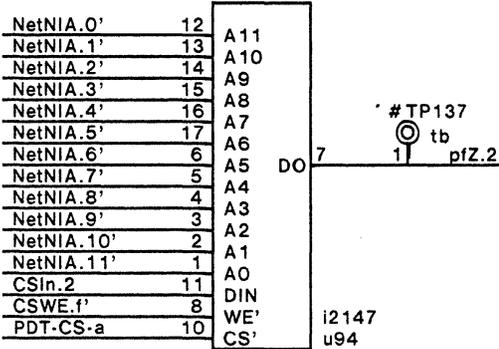
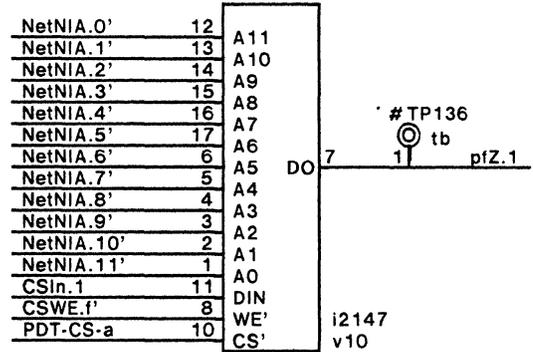
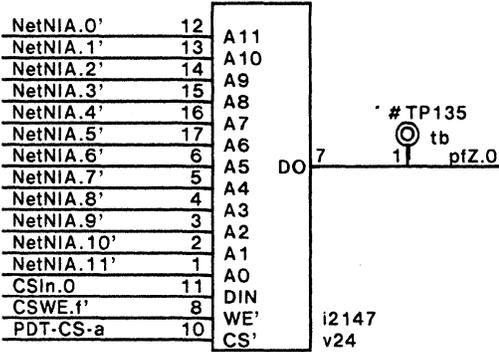
17    † to NIA'  
 13    transmission delay  
 70    tAA 2147L  
 100 nS

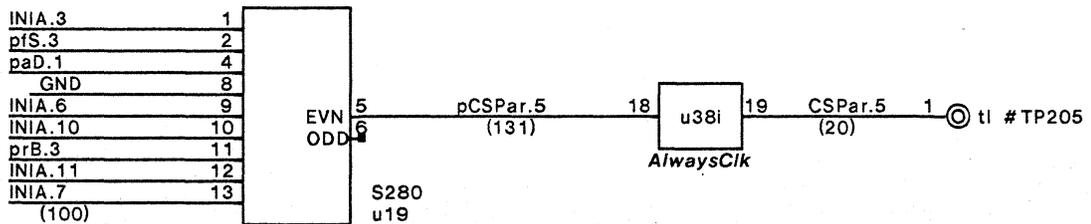
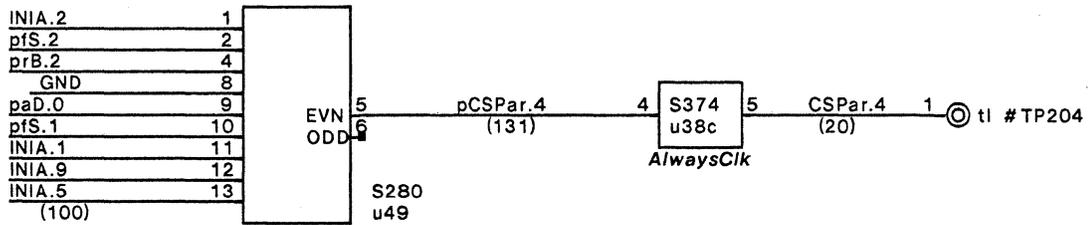
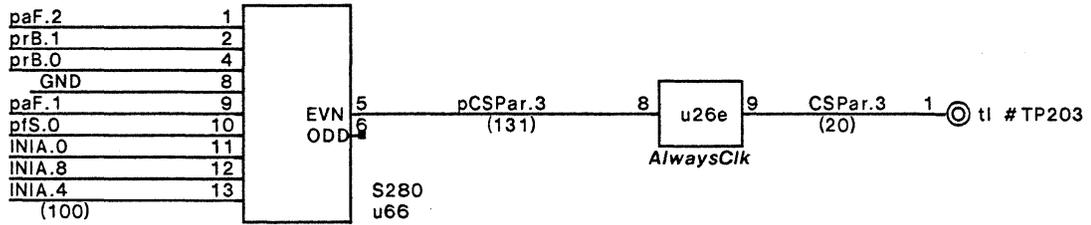
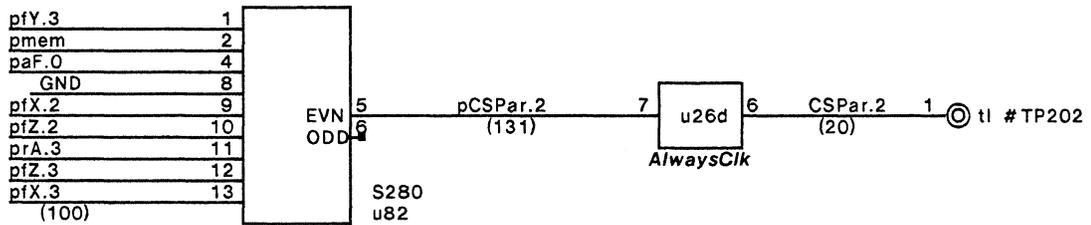
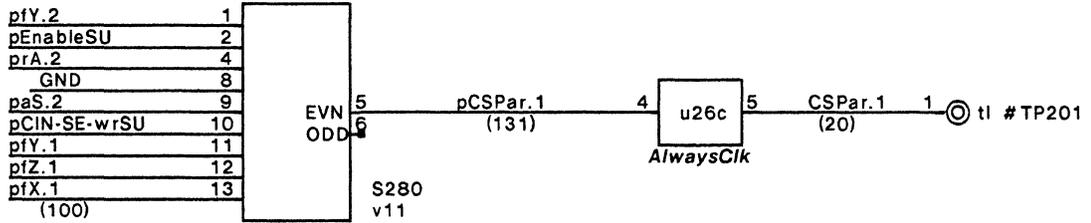
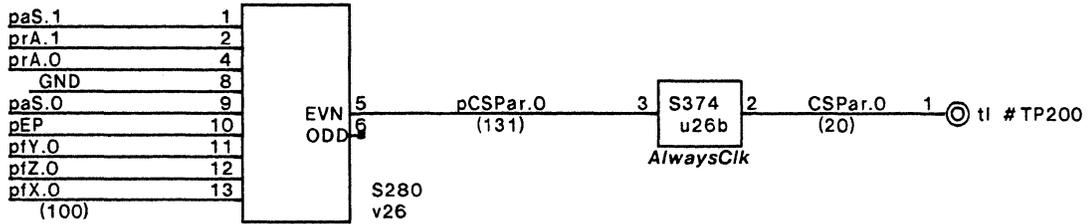


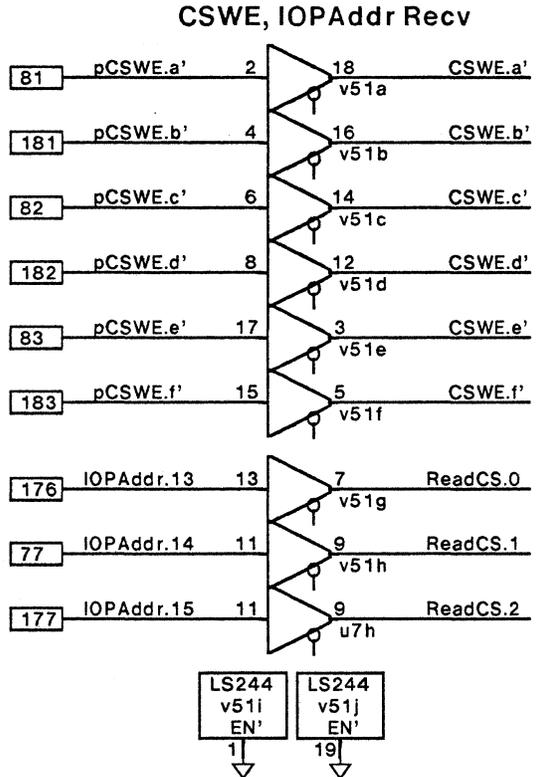
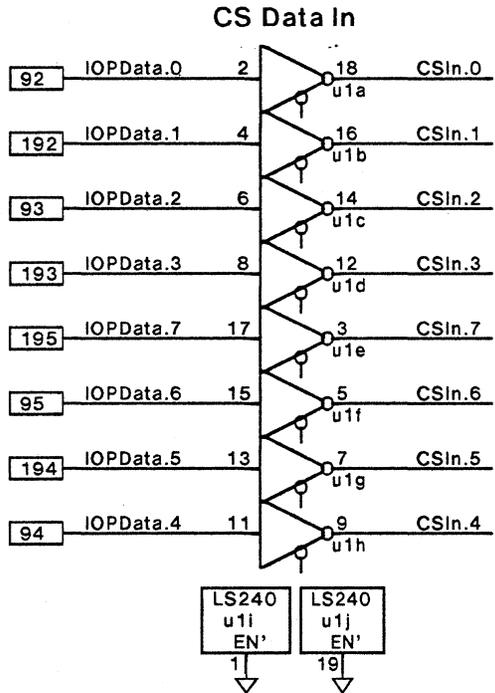
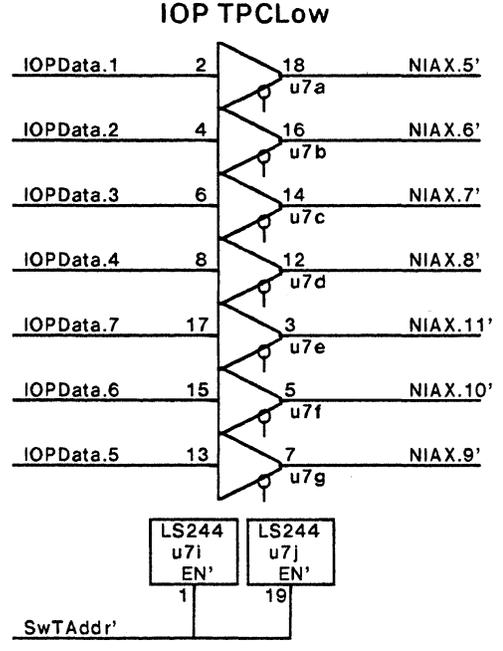
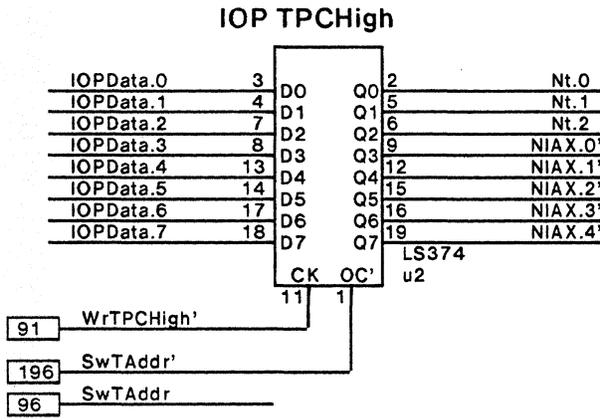


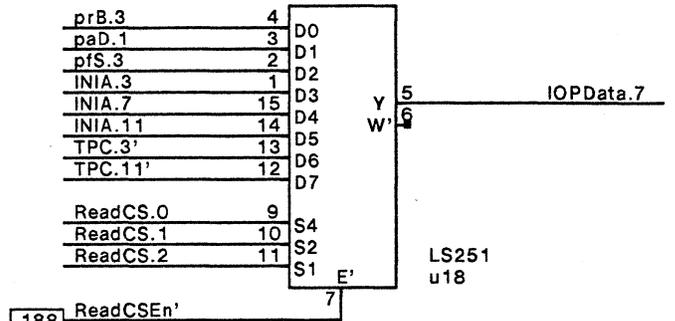
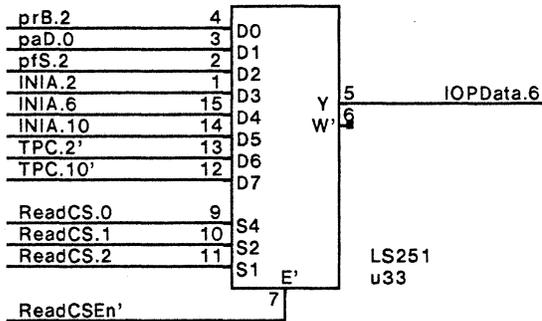
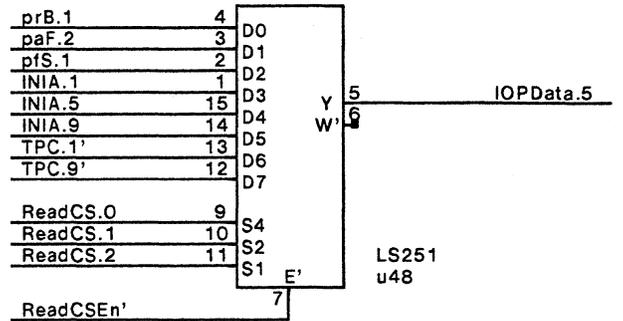
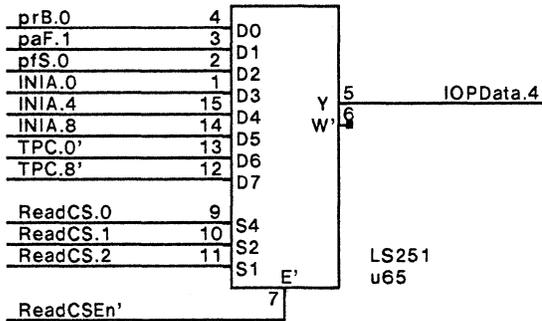
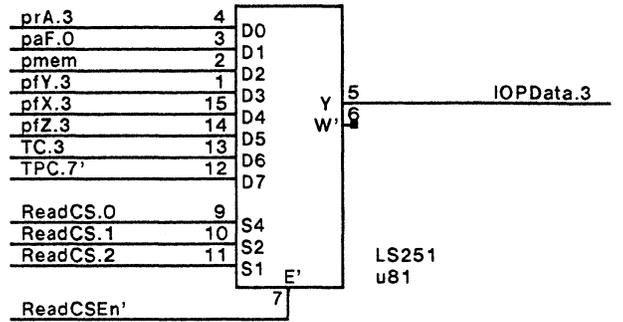
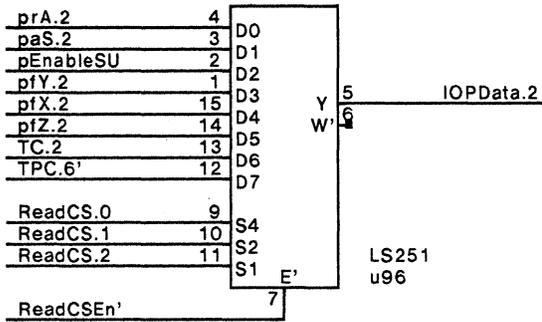
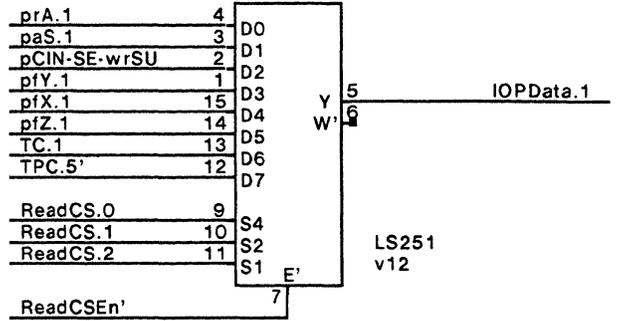
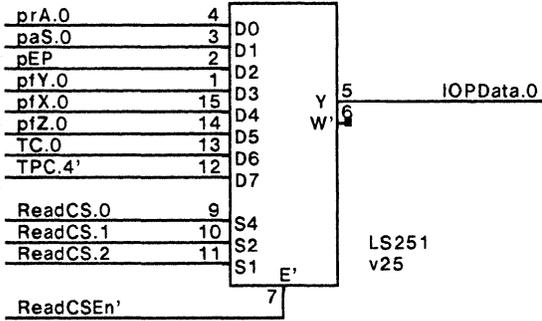




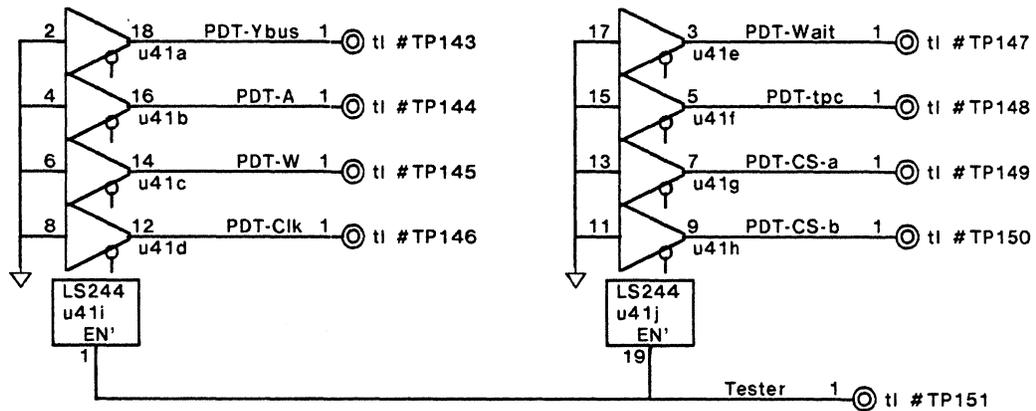








188



The Control Store can be read & written via backplane pins. Once tested, instructions (or parts of instructions), can be loaded in order to test additional features. For instance, all X-bus sources can be disabled by loading a 6 into CS bits 16-23 (controlled by CSWE.c'). Simple programs to test the 2901's can also be executed in this way.

The SU & RH registers can be loaded by controlling EnableSU, CIN-SE-wrSU, & RH- from a microinstruction.

stackP, IB, High SU Addr, & Low SU Addr can be similarly tested.

The MIR & MIR decoding can be tested by loading instructions into the CS.

PDT-Ybus is used to test devices attached to the Y bus.

PDT-A is used to disable registers or Proms whose outputs go to a register clocked by AlwaysClk.

PDT-W is similarly used for WaitClk.

PDT-Clk & PDT-Wait disable the outputs of AlwaysClk & WaitClk'd registers.

The following steps cause a CS byte to be written. It is assumed that the TPC has been written with the required CS address.

```

PDT-Clk ~ 1; Swc3 ~ 1;           {cause NIA to come from TPC}
IOPWait ~ 1;
SwTAddr' ~ 0; SwTAddr ~ 1;       {init code}
IOPData ~ data
CSWE.x' ~ 0; CSWE.x' ~ 1;

```

If IOPWait is left high, the CP will not execute the instruction which has been loaded into the CS. Instead, the CP will be frozen in a state where the instruction is totally decoded, but the result will not be loaded into any register. Thus, all the microinstruction register (MIR) decoding logic can be tested without even executing an instruction.

The following steps cause the TPC to be written:

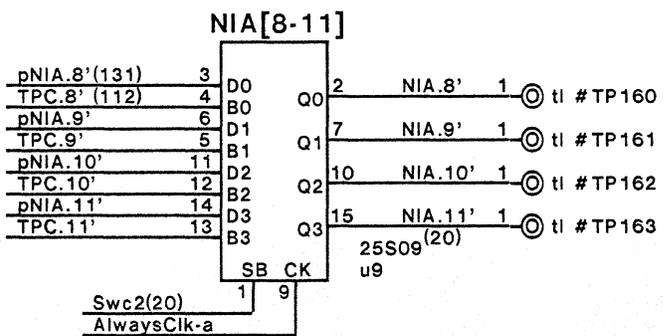
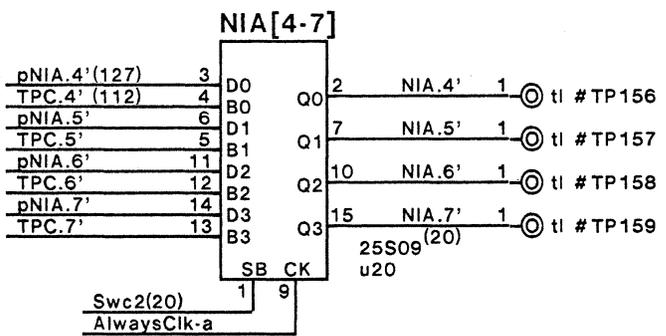
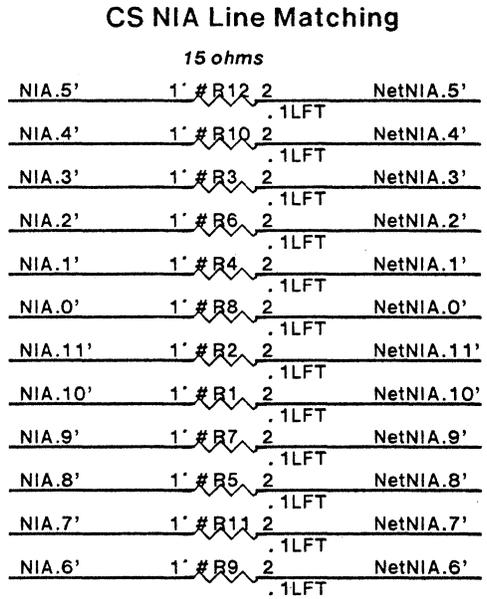
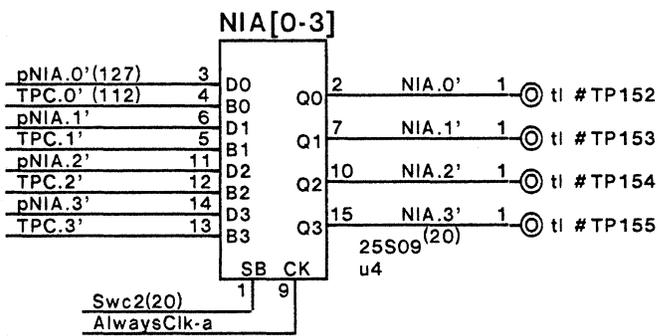
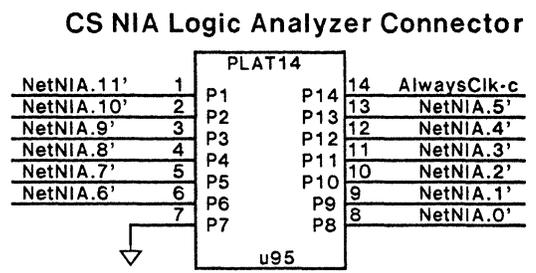
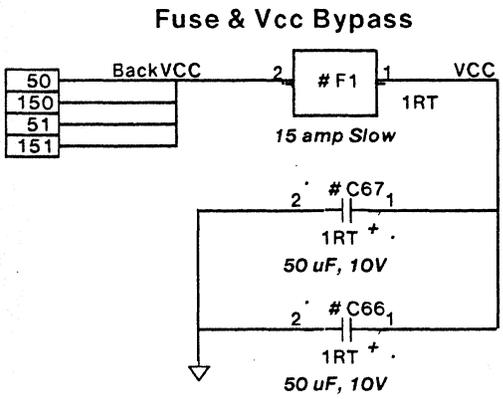
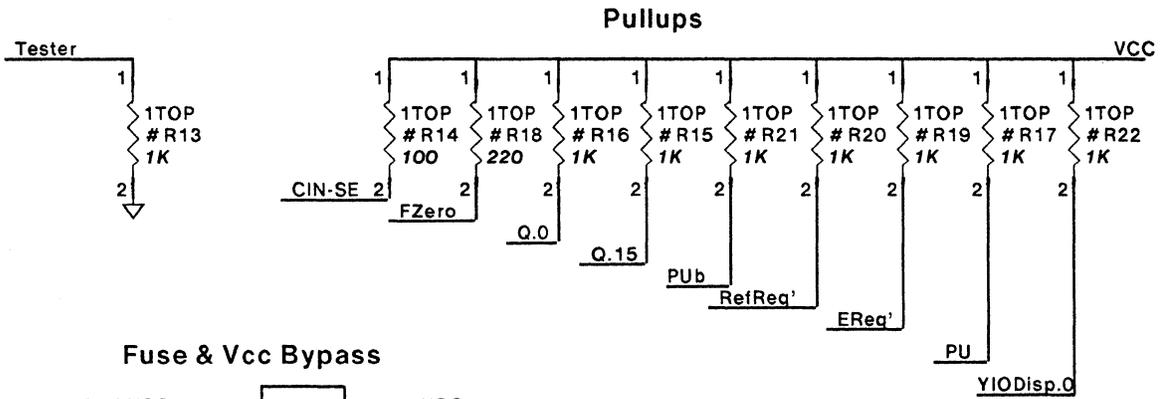
```

IOPWait ~ 1;                       {init code}
SwTAddr' ~ 0; SwTAddr ~ 1;
IOPData ~ {addr lshift5} or {data rshift7};           {set TPC addr & high 5 bits of data}
WrTPCHigh' ~ 0; WrTPCHigh' ~ 1;
IOPData ~ data and 7F'h;
WrTPCLow ~ 0; WrTPCLow ~ 1;           {write low 7 bits}

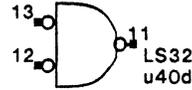
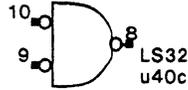
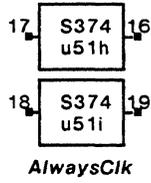
```

D0 card test programs for reading & writing TPC & CS available on [Iris]<Workstation>LH>CardTest.dm

XEROX	PROPRIETARY NOTE ON COVER SHEET APPLIES TO ALL SHEETS		DWG SIZE	DWG NO. 156P11442	SHEET REV.
	TITLE	SCHEMATIC, CP	A4	SHEET 26 OF	B



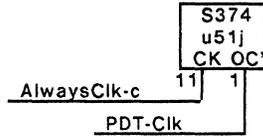
### Unused Parts



### Junk 374 Allocation

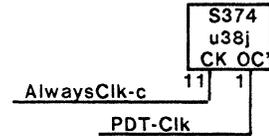
**S374**  
g15 - Always Clock

- b MAR-
- c AllowMDR-
- d KernReq'
- e WaitC2
- f WaitC3
- g TCWait
- h
- i



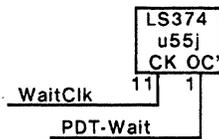
**S374**  
h16 - Always Clock

- b EKTrapc2'
- c CSPar.4 PC only
- d EKTrapc2
- e EKErr.0'
- f EKErr.1'
- g Swc3
- h Swc3'
- i CSPar.5 PC only



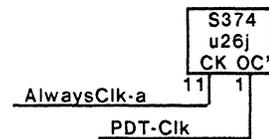
**LS374**  
h17 - Wait Clock

- b IBPtr.0
- c IBPtr.1
- d CSParErr
- e Mesalnt
- f StackErr
- g VirtAddrErrc2
- h pc16'
- i MemErrc3

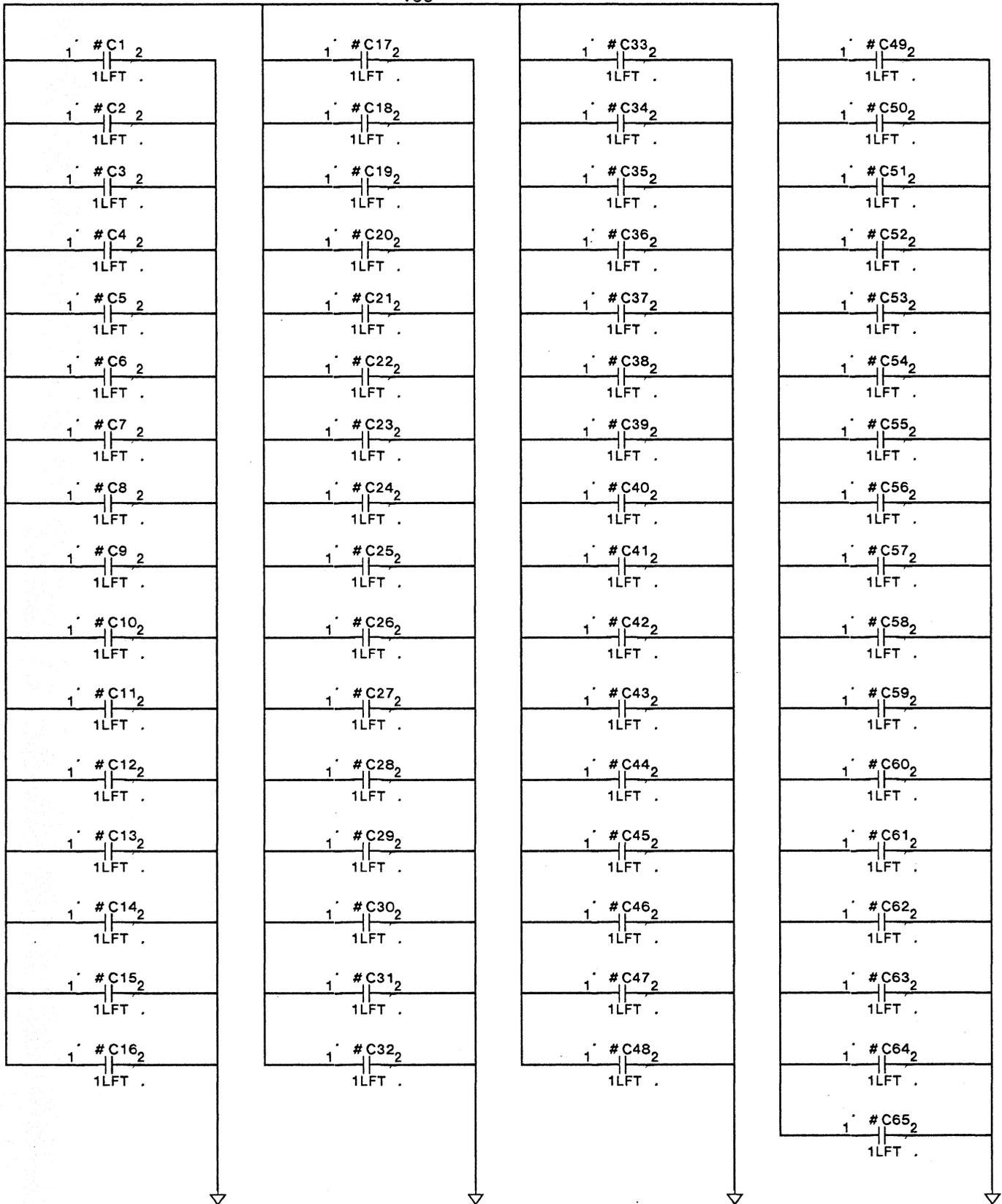


**S374**  
f9 - Always Clock

- b CSPar.0
- c CSPar.1
- d CSPar.2
- e CSPar.3
- f TC.0
- g TC.1
- h TC.2
- i TC.3



VCC



NOTE: C1-C65, CAP., CERAM, 50V, .10UF, PART NO. 702W05218

XEROX	PROPRIETARY NOTE ON COVER SHEET APPLIES TO ALL SHEETS		DWG SIZE A4	DWG NO. 156P11442	SHEET REV. B
	TITLE SCHEMATIC, CP			SHEET 29 OF	

Comments:

- 1) Designator notation notes: u1-99 = U1-99, v0-99 = U100-199, w0-99 = U200-299
- 2) The last item on lines below, preceded by a semicolon (;), is the schematic page number on which the test point, connector or signal information originates.
- 3) Line with no page number was a continuation of the previous line.

#TP001	.1i	CIN0-3	;02	#TP051	.1i	TPC.6'	;13
#TP002	.1i	PageCross	;02	#TP052	.1i	TPC.7'	;13
#TP003	.1i	R.0	;02	#TP053	.1i	TPC.8'	;13
#TP004	.1i	R.15	;02	#TP054	.1i	TPC.9'	;13
#TP005	.1i	Q.0	;02	#TP055	.1i	TPC.10'	;13
#TP006	.1i	Q.15	;02	#TP056	.1i	TPC.11'	;13
#TP007	.1i	CIN-SE	;02	#TP057	.1i	pLink.0'	;13
#TP008	.1i	IB.0	;05	#TP058	.1i	pLink.1'	;13
#TP009	.1i	IB.1	;05	#TP059	.1i	pLink.2'	;13
#TP010	.1i	IB.2	;05	#TP060	.1i	pLink.3'	;13
#TP011	.1i	IB.3	;05	#TP061	.1i	TCY.0	;13
#TP012	.1i	IB.7	;05	#TP062	.1i	TCY.1	;13
#TP013	.1i	IB.6	;05	#TP063	.1i	TCY.2	;13
#TP014	.1i	IB.5	;05	#TP064	.1i	TCY.3	;13
#TP015	.1i	IB.4	;05	#TP065	.1i	Ct.0	;14
#TP016	.1i	IBFront←	;05	#TP066	.1i	Ct.1	;14
#TP017	.1i	GoodIBDispc2	;05	#TP067	.1i	Ct.2	;14
#TP018	.1i	RefillIntc2	;05	#TP068	.1i	Ct=Emu	;14
#TP019	.1i	SelectIB0'	;05	#TP069	.1i	Pt=Emu	;14
#TP020	.1i	pIBPtr.0	;05	#TP070	.1i	Nt.0	;14
#TP021	.1i	pIBPtr.1	;05	#TP071	.1i	Nt.1	;14
#TP022	.1i	SelectIB1'	;05	#TP072	.1i	Nt.2	;14
#TP023	.1i	MAR←'	;08	#TP073	.1i	Nt=Emu	;14
#TP024	.1i	DispBr.0'	;11	#TP074	.1i	Swc2	;14
#TP025	.1i	DispBr.1'	;11	#TP075	.1i	Swc2'	;14
#TP026	.1i	DispBr.2'	;11	#TP076	.1i	pCSPE	;15
#TP027	.1i	DispBr.3A'	;11	#TP077	.1i	pMI	;15
#TP028	.1i	DispBr.3B'	;11	#TP078	.1i	MesaInt	;15
#TP029	.1i	pNIA.0'	;12	#TP079	.1i	EKTrapc2'	;15
#TP030	.1i	pNIA.1'	;12	#TP080	.1i	EKTrapc2	;15
#TP031	.1i	pNIA.2'	;12	#TP081	.1i	EKErr.0'	;15
#TP032	.1i	pNIA.3'	;12	#TP082	.1i	EKErr.1'	;15
#TP033	.1i	pNIA.4'	;12	#TP083	.1i	pEKT'	;15
#TP034	.1i	pNIA.5'	;12	#TP084	.1i	pEKT	;15
#TP035	.1i	pNIA.6'	;12	#TP085	.1i	pEK0'	;15
#TP036	.1i	pNIA.7'	;12	#TP086	.1i	pEK1'	;15
#TP037	.1i	pTC.0	;12	#TP087	.1i	pSE	;15
#TP038	.1i	pNIA.8'	;12	#TP088	.1i	pVAE	;15
#TP039	.1i	pTC.1	;12	#TP089	.1i	StackErr	;15
#TP040	.1i	pNIA.9'	;12	#TP090	.1i	VirtAddrErr	;15
#TP041	.1i	pTC.2	;12	#TP091	.1i	pKR'	;15
#TP042	.1i	pNIA.10'	;12	#TP092	.1i	pPC16'	;15
#TP043	.1i	pTC.3	;12	#TP094	.1i	pc16'	;15
#TP044	.1i	pNIA.11'	;12	#TP095	.1i	prA.0	;17
#TP045	.1i	TPC.0'	;13	#TP096	.1i	prA.1	;17
#TP046	.1i	TPC.1'	;13	#TP097	.1i	prA.2	;17
#TP047	.1i	TPC.2'	;13	#TP098	.1i	prA.3	;17
#TP048	.1i	TPC.3'	;13	#TP099	.1i	prB.0	;17
#TP049	.1i	TPC.4'	;13	#TP100	.1i	prB.1	;17
#TP050	.1i	TPC.5'	;13	#TP101	.1i	prB.2	;17
				#TP102	.1i	prB.3	;17
				#TP103	.1i	paS.0	;18

XEROX	PROPRIETARY NOTE ON COVER SHEET APPLIES TO ALL SHEETS		DWG SIZE A4	DWG NO. 156P11442		SHEET REV. B
	TITLE	SCHEMATIC, CP		SHEET	30 OF	

#TP104	.1i	paS.1	;18	#TP163	.1i	NIA.11'	;27
#TP105	.1i	paS.2	;18	#TP164	.1i	SUAddr.0	;03
#TP106	.1i	paF.0	;18	#TP165	.1i	SUAddr.1	;03
#TP107	.1i	paF.1	;18	#TP166	.1i	SUAddr.2	;03
#TP108	.1i	paF.2	;18	#TP167	.1i	SUAddr.3	;03
#TP109	.1i	paD.0	;18	#TP168	.1i	SUAddr.4	;03
#TP110	.1i	paD.1	;18	#TP169	.1i	SUAddr.5	;03
#TP111	.1i	pEP	;19	#TP170	.1i	SUAddr.6	;03
#TP112	.1i	pCIN-SE-wrSU	;19	#TP171	.1i	SUAddr.7	;03
#TP113	.1i	pEnableSU	;19	#TP172	.1i	IBPtr.0	;05
#TP114	.1i	pmem	;19	#TP173	.1i	IBPtr.1	;05
#TP115	.1i	pfS.0	;19	#TP174	.1i	ExitKernel'	;09
#TP116	.1i	pfS.1	;19	#TP175	.1i	EnterKernel'	;09
#TP117	.1i	pfS.2	;19	#TP176	.1i	ClrIntErr'	;09
#TP118	.1i	pfS.3	;19	#TP177	.1i	IBDisp'	;09
#TP119	.1i	pfY.0	;20	#TP178	.1i	MesaIntRq'	;09
#TP120	.1i	pfY.1	;20	#TP179	.1i	IBPtr<1'	;09
#TP121	.1i	pfY.2	;20	#TP180	.1i	IBPtr<0'	;09
#TP122	.1i	pfY.3	;20	#TP181	.1i	PopZ'	;09
#TP123	.1i	INIA.0	;20	#TP182	.1i	<ib'	;09
#TP124	.1i	INIA.1	;20	#TP183	.1i	NIAX.0'	;13
#TP125	.1i	INIA.2	;20	#TP184	.1i	NIAX.1'	;13
#TP126	.1i	INIA.3	;20	#TP185	.1i	NIAX.2'	;13
#TP127	.1i	pfX.0	;21	#TP186	.1i	NIAX.3'	;13
#TP128	.1i	pfX.1	;21	#TP187	.1i	NIAX.4'	;13
#TP129	.1i	pfX.2	;21	#TP188	.1i	NIAX.5'	;13
#TP130	.1i	pfX.3	;21	#TP189	.1i	NIAX.6'	;13
#TP131	.1i	INIA.4	;21	#TP190	.1i	NIAX.7'	;13
#TP132	.1i	INIA.5	;21	#TP191	.1i	NIAX.8'	;13
#TP133	.1i	INIA.6	;21	#TP192	.1i	NIAX.9'	;13
#TP134	.1i	INIA.7	;21	#TP193	.1i	NIAX.10'	;13
#TP135	.1i	pfZ.0	;22	#TP194	.1i	NIAX.11'	;13
#TP136	.1i	pfZ.1	;22	#TP195	.1i	TCX.0	;13
#TP137	.1i	pfZ.2	;22	#TP196	.1i	TCX.1	;13
#TP138	.1i	pfZ.3	;22	#TP197	.1i	TCX.2	;13
#TP139	.1i	INIA.8	;22	#TP198	.1i	TCX.3	;13
#TP140	.1i	INIA.9	;22	#TP199	.1i	EmuMemErr	;15
#TP141	.1i	INIA.10	;22	#TP200	.1i	CSPar.0	;23
#TP142	.1i	INIA.11	;22	#TP201	.1i	CSPar.1	;23
#TP143	.1i	PDT-Ybus	;26	#TP202	.1i	CSPar.2	;23
#TP144	.1i	PDT-A	;26	#TP203	.1i	CSPar.3	;23
#TP145	.1i	PDT-W	;26	#TP204	.1i	CSPar.4	;23
#TP146	.1i	PDT-Clk	;26	#TP205	.1i	CSPar.5	;23
#TP147	.1i	PDT-Wait	;26	E002		Cycle1'	;16
#TP148	.1i	PDT-tpc	;26	E003		Cycle2'	;16
#TP149	.1i	PDT-CS-a	;26	E004		Cycle3'	;16
#TP150	.1i	PDT-CS-b	;26	E009		ppCLK	;16
#TP151	.1i	Tester	;26	E011		AllowMDR<	;08
#TP152	.1i	NIA.0'	;27	E015		MapRef	;10
#TP153	.1i	NIA.1'	;27	E016		Refresh'	;10
#TP154	.1i	NIA.2'	;27	E017		Wait	;16
#TP155	.1i	NIA.3'	;27	E021		IOPData<'	;09
#TP156	.1i	NIA.4'	;27	E022		KOData<'	;09
#TP157	.1i	NIA.5'	;27	E023		EOData<'	;09
#TP158	.1i	NIA.6'	;27	E024		DCtlFifo<'	;09
#TP159	.1i	NIA.7'	;27	E025		DBorder<'	;09
#TP160	.1i	NIA.8'	;27	E026		IOutSp1<'	;09
#TP161	.1i	NIA.9'	;27	E027		KCmd<'	;09
#TP162	.1i	NIA.10'	;27				

XEROX	PROPRIETARY NOTE ON COVER SHEET APPLIES TO ALL SHEETS		DWG SIZE A4	DWG NO. 156P11442	SHEET REV. B
	TITLE	SCHEMATIC, CP	SHEET	31 OF	

E028	POData←'	;09	E126	EOCtl←'	;09
E031	←EIData'	;09	E127	IOutSp4←'	;09
E032	←KIData'	;09	E128	PCtl←'	;09
E033	←KTest'	;09	E131	←EIStatus'	;09
E034	←IOPIData'	;09	E132	←KStatus'	;09
E035	EStrobe'	;09	E133	KStrobe'	;09
E037	CSParErr	;15	E134	←IOPStatus'	;09
E039	YIODisp.0	;11	E139	YIODisp.1	;11
E041	X.0	;01	E141	X.1	;01
E042	X.2	;01	E142	X.3	;01
E043	X.4	;01	E143	X.5	;01
E044	X.6	;01	E144	X.7	;01
E045	X.8	;01	E145	X.9	;01
E046	X.10	;01	E146	X.11	;01
E047	X.12	;01	E147	X.13	;01
E048	X.14	;01	E148	X.15	;01
E049	Y.0	;01	E149	Y.1	;01
E050	BackVCC	;27	E150	BackVCC	;27
E051	BackVCC	;27	E151	BackVCC	;27
E052	Y.2	;01	E152	Y.3	;01
E053	Y.4	;01	E153	Y.5	;01
E054	Y.6	;01	E154	Y.7	;01
E055	Y.8	;01	E155	Y.9	;01
E056	Y.10	;01	E156	Y.11	;01
E057	Y.12	;01	E157	Y.13	;01
E058	Y.14	;01	E158	Y.15	;01
E059	YH.0	;04	E159	YH.1	;04
E061	YH.2	;04	E161	YH.3	;04
E062	YH.4	;04	E162	YH.5	;04
E063	YH.6	;04	E163	YH.7	;04
E064	Pt.0	;14	E164	Pt.1	;14
E065	Pt.2	;14	E166	MemErrc3	;15
E066	Disp-Proc'	;16	E176	IOPAddr.13	;24
E077	IOPAddr.14	;24	E177	IOPAddr.15	;24
E081	pCSWE.a'	;24	E181	pCSWE.b'	;24
E082	pCSWE.c'	;24	E182	pCSWE.d'	;24
E083	pCSWE.e'	;24	E183	pCSWE.f'	;24
E084	IOPReq'	;14	E184	ClrIOPReq'	;09
E085	DPReq'	;14	E185	ClrDPReq'	;09
E086	EReq'	;14	E186	ClrXReq'	;09
E087	KReq'	;14	E187	ClrKReq'	;09
E088	RefReq'	;14	E188	ReadCSEn'	;25
E089	EORound	;14	E189	IOPWait	;16
E091	WrTPCHigh'	;24	E191	WrTPCLow	;16
E092	IOPData.0	;24	E192	IOPData.1	;24
E093	IOPData.2	;24	E193	IOPData.3	;24
E094	IOPData.4	;24	E194	IOPData.5	;24
E095	IOPData.6	;24	E195	IOPData.7	;24
E096	SwTAddr	;24	E196	SwTAddr'	;24
E102	Click.0	;14			
E103	Click.1	;14			
E104	Click.2	;14	aD.0':	u58.15i	;02
E113	mem	;08	aD.0':	u57.1i	;02
E114	←MStatus'	;09	aD.0':	u69.10o	;10
E115	MCtl←'	;09			
E121	IOPCtl←'	;09	aD.0:	v04.7i	;01
E122	KCtl←'	;09	aD.0:	v03.7i	;01
E123	EICtl←'	;09	aD.0:	u74.7i	;01
E124	DCTl←'	;09	aD.0:	u73.7i	;01

XEROX	PROPRIETARY NOTE ON COVER SHEET APPLIES TO ALL SHEETS		DWG SIZE A4	DWG NO. 156P11442	SHEET REV. B
	TITLE SCHEMATIC, CP			SHEET 32 OF	

```

aD.0: u58.1i ;02
aD.0: u57.4i ;02
aD.0: u50.12o ;08
aD.0: u69.11i ;10

aD.1: v04.5i ;01
aD.1: v03.5i ;01
aD.1: u74.5i ;01
aD.1: u73.5i ;01
aD.1: u58.2i ;02
aD.1: u50.15o ;08

aF.0: v04.27i ;01
aF.0: v03.27i ;01
aF.0: u74.27i ;01
aF.0: u73.27i ;01
aF.0: v39.2o ;08

aFh.1: v04.28i ;01
aFh.1: v03.28i ;01
aFh.1: u98.10o ;08

aFh.2: v04.26i ;01
aFh.2: v03.26i ;01
aFh.2: u98.15o ;08

aFl.1: u73.28i ;01
aFl.1: u74.28i ;01
aFl.1: u50.16o ;08

aFl.2: u73.26i ;01
aFl.2: u74.26i ;01
aFl.2: u70.1i ;02
aFl.2: u50.19o ;08

AllowMDR←: u54.3i ;05
AllowMDR←: v64.3i ;05
AllowMDR←: u51.5o, E11 ;08

AltUAddr': v14.1i ;03
AltUAddr': u83.7o ;09

AlwaysClk-a: u06.11i ;13
AlwaysClk-a: u10.11i ;13
AlwaysClk-a: v17.6o ;16
AlwaysClk-a: u09.9i ;27
AlwaysClk-a: u20.9i ;27
AlwaysClk-a: u04.9i ;27
AlwaysClk-a: u26.11i ;28

AlwaysClk-b: v37.9i ;03
AlwaysClk-b: v15.9i ;03
AlwaysClk-b: u50.11i ;08
AlwaysClk-b: v39.11i ;08
AlwaysClk-b: v38.9i ;08
AlwaysClk-b: v13.11i ;08
AlwaysClk-b: u97.11i ;08
AlwaysClk-b: u98.9i ;08
AlwaysClk-b: v17.8o ;16

AlwaysClk-c: v17.10o ;16
AlwaysClk-c: u95.14o ;27
AlwaysClk-c: u38.11i ;28
AlwaysClk-c: u51.11i ;28

aSh.0: v04.14i ;01
aSh.0: v03.14i ;01
aSh.0: u97.19o ;08

aSh.1: v04.13i ;01
aSh.1: v03.13i ;01
aSh.1: u98.2o ;08

aSh.2: v04.12i ;01
aSh.2: v03.12i ;01
aSh.2: u98.7o ;08

aSl.0: u73.14i ;01
aSl.0: u74.14i ;01
aSl.0: u97.12o ;08

aSl.1: u73.13i ;01
aSl.1: u74.13i ;01
aSl.1: u97.15o ;08

aSl.2: u73.12i ;01
aSl.2: u74.12i ;01
aSl.2: u97.16o ;08

BackVCC: E150, E51, E151, E50 ;27
BackVCC: #F1.2i

Bank0: v29.5o, u86.10i ;16

Byte': v27.1i ;07
Byte': v53.3o ;10

C2Clk: v36.11i ;14
C2Clk: u87.6o ;16

Carry: v04.33o ;01
Carry: u58.6i ;02
Carry: u88.14i ;11

CIN-SE-wrSU': u57.12i ;02
CIN-SE-wrSU': v38.3o ;08

CIN-SE-wrSU: v34.18i ;03
CIN-SE-wrSU: v48.18i ;03
CIN-SE-wrSU: v33.18i ;03
CIN-SE-wrSU: v47.18i ;03
CIN-SE-wrSU: v38.2o ;08
CIN-SE-wrSU: v01.1i ;16

CIN-SE: u74.29i ;01
CIN-SE: u72.13i ;02
CIN-SE: u58.5i ;02
CIN-SE: u58.4i ;02

```

XEROX	PROPRIETARY NOTE ON COVER SHEET APPLIES TO ALL SHEETS		DWG SIZE	DWG NO. 156P11442	SHEET REV. B
	TITLE SCHEMATIC, CP		A4	SHEET 33 OF	

CIN-SE: u58.12i ;02  
 CIN-SE: u57.5i ;02  
 CIN-SE: u57.11o, u57.8o, #TP007.1i ;02  
 CIN-SE: #R14.2i ;27

CIN0-3: v04.29i ;01  
 CIN0-3: u72.9o, #TP001.1i ;02

CIN←pc16: u57.10i ;02  
 CIN←pc16: u52.11o ;10  
 CIN←pc16: u53.6i ;15

CIN←pc16X': u57.13i ;02  
 CIN←pc16X': u68.11o ;09  
 CIN←pc16X': u52.12i ;10

CIN←pc16Z': u83.12o ;09  
 CIN←pc16Z': u52.13i ;10

Click.0: E102, v50.16i ;14

Click.1: E103, v50.17i ;14

Click.2: E104, v50.1i ;14

ClrDPReq': v61.11o, E185 ;09

ClrIntErr': v02.13o, #TP176.1i ;09  
 ClrIntErr': u56.6i ;15  
 ClrIntErr': u39.3i ;15

ClrIOPReq': v61.10o, E184 ;09

ClrKReq': v61.7o, E187 ;09

ClrXReq': v61.9o, E186 ;09

CSIn.0: v19.11i ;17  
 CSIn.0: v20.11i ;18  
 CSIn.0: v21.11i ;19  
 CSIn.0: v22.11i ;20  
 CSIn.0: v23.11i ;21  
 CSIn.0: v24.11i ;22  
 CSIn.0: u01.18o ;24

CSIn.1: v05.11i ;17  
 CSIn.1: v06.11i ;18  
 CSIn.1: v07.11i ;19  
 CSIn.1: v08.11i ;20  
 CSIn.1: v09.11i ;21  
 CSIn.1: v10.11i ;22  
 CSIn.1: u01.16o ;24

CSIn.2: u89.11i ;17  
 CSIn.2: u90.11i ;18  
 CSIn.2: u91.11i ;19  
 CSIn.2: u92.11i ;20  
 CSIn.2: u93.11i ;21  
 CSIn.2: u94.11i ;22

CSIn.2: u01.14o ;24  
 CSIn.3: u75.11i ;17  
 CSIn.3: u76.11i ;18  
 CSIn.3: u77.11i ;19  
 CSIn.3: u78.11i ;20  
 CSIn.3: u79.11i ;21  
 CSIn.3: u80.11i ;22  
 CSIn.3: u01.12o ;24

CSIn.4: u59.11i ;17  
 CSIn.4: u60.11i ;18  
 CSIn.4: u61.11i ;19  
 CSIn.4: u62.11i ;20  
 CSIn.4: u63.11i ;21  
 CSIn.4: u64.11i ;22  
 CSIn.4: u01.9o ;24

CSIn.5: u42.11i ;17  
 CSIn.5: u43.11i ;18  
 CSIn.5: u44.11i ;19  
 CSIn.5: u45.11i ;20  
 CSIn.5: u46.11i ;21  
 CSIn.5: u47.11i ;22  
 CSIn.5: u01.7o ;24

CSIn.6: u27.11i ;17  
 CSIn.6: u28.11i ;18  
 CSIn.6: u29.11i ;19  
 CSIn.6: u30.11i ;20  
 CSIn.6: u31.11i ;21  
 CSIn.6: u32.11i ;22  
 CSIn.6: u01.5o ;24

CSIn.7: u12.11i ;17  
 CSIn.7: u13.11i ;18  
 CSIn.7: u14.11i ;19  
 CSIn.7: u15.11i ;20  
 CSIn.7: u16.11i ;21  
 CSIn.7: u17.11i ;22  
 CSIn.7: u01.3o ;24

CSPar.0: u56.16i ;15  
 CSPar.0: u26.2o, #TP200.1i ;23

CSPar.1: u56.17i ;15  
 CSPar.1: u26.5o, #TP201.1i ;23

CSPar.2: u56.1i ;15  
 CSPar.2: u26.6o, #TP202.1i ;23

CSPar.3: u56.2i ;15  
 CSPar.3: u26.9o, #TP203.1i ;23

CSPar.4: u56.3i ;15  
 CSPar.4: u38.5o, #TP204.1i ;23

CSPar.5: u56.4i ;15  
 CSPar.5: u38.19o, #TP205.1i ;23

XEROX	PROPRIETARY NOTE ON COVER SHEET APPLIES TO ALL SHEETS		DWG SIZE A4	DWG NO. 156P11442		SHEET REV. B
	TITLE	SCHEMATIC, CP		SHEET	34 OF	

CSParErr: u53.2i ;15  
 CSParErr: u55.6o, E37, u56.15i ;15  
 CSParErr: u39.17i

CSWE.a': v19.8i ;17  
 CSWE.a': v05.8i ;17  
 CSWE.a': u89.8i ;17  
 CSWE.a': u75.8i ;17  
 CSWE.a': u42.8i ;17  
 CSWE.a': u59.8i ;17  
 CSWE.a': u27.8i ;17  
 CSWE.a': u12.8i ;17  
 CSWE.a': v51.18o ;24

CSWE.b': v20.8i ;18  
 CSWE.b': v06.8i ;18  
 CSWE.b': u76.8i ;18  
 CSWE.b': u90.8i ;18  
 CSWE.b': u60.8i ;18  
 CSWE.b': u43.8i ;18  
 CSWE.b': u13.8i ;18  
 CSWE.b': u28.8i ;18  
 CSWE.b': v51.16o ;24

CSWE.c': v21.8i ;19  
 CSWE.c': v07.8i ;19  
 CSWE.c': u77.8i ;19  
 CSWE.c': u91.8i ;19  
 CSWE.c': u61.8i ;19  
 CSWE.c': u44.8i ;19  
 CSWE.c': u14.8i ;19  
 CSWE.c': u29.8i ;19  
 CSWE.c': v51.14o ;24

CSWE.d': v22.8i ;20  
 CSWE.d': v08.8i ;20  
 CSWE.d': u78.8i ;20  
 CSWE.d': u92.8i ;20  
 CSWE.d': u62.8i ;20  
 CSWE.d': u45.8i ;20  
 CSWE.d': u15.8i ;20  
 CSWE.d': u30.8i ;20  
 CSWE.d': v51.12o ;24

CSWE.e': v23.8i ;21  
 CSWE.e': u93.8i ;21  
 CSWE.e': v09.8i ;21  
 CSWE.e': u79.8i ;21  
 CSWE.e': u46.8i ;21  
 CSWE.e': u63.8i ;21  
 CSWE.e': u31.8i ;21  
 CSWE.e': u16.8i ;21  
 CSWE.e': v51.3o ;24

CSWE.f': v24.8i ;22  
 CSWE.f': u94.8i ;22  
 CSWE.f': v10.8i ;22  
 CSWE.f': u80.8i ;22

CSWE.f': u47.8i ;22  
 CSWE.f': u17.8i ;22  
 CSWE.f': u32.8i ;22  
 CSWE.f': u64.8i ;22  
 CSWE.f': v51.5o ;24

Ct.0: v36.2o, #TP065.1i ;14  
 Ct.0: v36.13i ;14  
 Ct.0: u67.15i ;14

Ct.1: v36.5o, #TP066.1i ;14  
 Ct.1: v36.14i ;14  
 Ct.1: u67.1i ;14

Ct.2: v36.6o, #TP067.1i ;14  
 Ct.2: v36.17i ;14  
 Ct.2: u67.2i ;14

Ct=Emu: v36.9o, #TP068.1i ;14  
 Ct=Emu: v36.18i ;14  
 Ct=Emu: u39.4i ;15

Cycle1': E2, v17.1i ;16

Cycle1: u39.7i ;15  
 Cycle1: v17.2o ;16  
 Cycle1: u85.13i ;16  
 Cycle1: u86.13i ;16

Cycle2': v50.8i ;14  
 Cycle2': E3, v17.3i ;16

Cycle2: v30.2i ;11  
 Cycle2: v63.8i ;14  
 Cycle2: u67.6i ;14  
 Cycle2: v17.4o ;16  
 Cycle2: u87.4i ;16

Cycle3': E4, u69.5i ;16

Cycle3: v53.9i ;08  
 Cycle3: u86.3i ;16  
 Cycle3: u69.6o ;16

CycleX': u68.12o ;09  
 CycleX': u84.4i ;10

CycleY': v02.7o ;09  
 CycleY': u84.3i ;10

DBorder-': v62.15o, E25 ;09

DCtlFifo-': v49.9o, E24 ;09

DCtl-': v49.7o, E124 ;09

Disp-Proc': E66, u86.9i ;16

DispBr': v40.5i, v40.10i, v40.3o ;10

XEROX	PROPRIETARY NOTE ON COVER SHEET APPLIES TO ALL SHEETS		DWG SIZE A4	DWG NO. 156P11442	SHEET REV. B
	TITLE	SCHEMATIC, CP	SHEET	35 OF	

DispBr.0': v41.4o, #TP024.1i ;11  
 DispBr.0': u52.2i ;12  
  
 DispBr.1': v41.7o, #TP025.1i ;11  
 DispBr.1': u52.5i ;12  
  
 DispBr.2': v30.6o, #TP026.1i ;11  
 DispBr.2': u37.10i ;12  
  
 DispBr.3A': u88.6o, #TP027.1i ;11  
 DispBr.3A': u37.2i ;12  
  
 DispBr.3B': v35.6o, #TP028.1i ;11  
 DispBr.3B': u37.1i ;12  
  
 DPReq': E85, v50.2i ;14  
  
 EICtl←': v49.10o, E123 ;09  
  
 EKErr.0': v45.17i ;07  
 EKErr.0': u38.9o, #TP081.1i ;15  
 EKErr.0': u39.6i ;15  
  
 EKErr.1': v45.15i ;07  
 EKErr.1': u38.12o, #TP082.1i ;15  
 EKErr.1': u39.5i ;15  
  
 EKTrapc2': u22.3i, u22.11i ;12  
 EKTrapc2': u22.5i ;12  
 EKTrapc2': u24.3i, u24.11i ;12  
 EKTrapc2': u24.5i ;12  
 EKTrapc2': u25.3i, u25.11i ;12  
 EKTrapc2': u25.5i ;12  
 EKTrapc2': u23.3i, u23.11i ;12  
 EKTrapc2': u23.5i ;12  
 EKTrapc2': u38.2o, #TP079.1i ;15  
  
 EKTrapc2: u21.15i ;12  
 EKTrapc2: u34.15i ;12  
 EKTrapc2: u38.6o, #TP080.1i ;15  
  
 EmuMemErr: #TP199.1i, u55.19o ;15  
 EmuMemErr: u39.16i  
  
 EnableSU: v34.17i ;03  
 EnableSU: v48.17i ;03  
 EnableSU: v33.17i ;03  
 EnableSU: v47.17i ;03  
 EnableSU: v39.5o ;08  
  
 EnDispBr.3A': v40.6o ;10  
 EnDispBr.3A': u88.7i ;11  
  
 EnDispBr0-1': v40.11o ;10  
 EnDispBr0-1': v41.15i ;11  
  
 EnDispBr2-3B': v40.13i, v40.8o ;10  
 EnDispBr2-3B': v30.7i ;11

EnDispBr2-3B': v35.7i ;11  
  
 EnLRotn': v60.13i ;06  
 EnLRotn': v59.13i ;06  
 EnLRotn': v58.13i ;06  
 EnLRotn': v57.13i ;06  
 EnLRotn': v52.8o ;10  
  
 EnterKernel': v02.14o, #TP175.1i ;09  
 EnterKernel': u53.4i ;15  
  
 EOctl←': v62.11o, E126 ;09  
  
 EOData←': v49.11o, E23 ;09  
  
 EORound: E89, v50.15i ;14  
  
 EReq': E86, v50.4i ;14  
 EReq': #R19.2i ;27  
  
 EStrobe': v55.7o, E35 ;09  
  
 ExitKernel': v02.15o, #TP174.1i ;09  
 ExitKernel': u53.3i ;15  
  
 F.0: v04.31o ;01  
 F.0: u88.4i ;11  
  
 FNZero: u69.8o ;02  
 FNZero: u88.2i ;11  
  
 fS.0: v39.16o ;08  
 fS.0: v49.6i ;09  
 fS.0: v62.6i ;09  
 fS.0: v61.5i ;09  
 fS.0: v02.5i ;09  
 fS.0: v53.2i ;10  
 fS.0: v40.2i ;10  
  
 fS.1: v39.19o ;08  
 fS.1: v02.6i ;09  
 fS.1: v61.6i ;09  
 fS.1: v49.5i ;09  
 fS.1: v62.5i ;09  
 fS.1: v53.1i ;10  
 fS.1: v40.1i ;10  
  
 fS.2': v38.11o ;08  
 fS.2': v55.5i ;09  
 fS.2': u83.6i ;09  
 fS.2': v54.4i ;09  
 fS.2': v52.12i ;10  
 fS.2': v53.5i ;10  
  
 fS.2: v38.10o ;08  
 fS.2: v52.1i ;10  
 fS.2: u84.10i ;10  
  
 fS.3': v38.14o ;08

XEROX	PROPRIETARY NOTE ON COVER SHEET APPLIES TO ALL SHEETS		DWG SIZE A4	DWG NO. 156P11442	SHEET REV.
	TITLE SCHEMATIC, CP			SHEET 36 OF	B

fS.3':	v54.5i	;09	fY.3:	v39.15o	;08
fS.3':	v52.13i	;10	fY.3:	v02.1i	;09
			fY.3:	v61.1i	;09
fS.3:	v38.15o	;08	fY.3:	v49.1i	;09
fS.3:	u83.5i	;09	fY.3:	v62.1i	;09
fS.3:	v55.6i	;09	fY.3:	u88.11i	;11
fS.3:	v53.4i	;10	fY.3:	v35.11i	;11
fS.3:	v52.2i	;10	fY.3:	v30.11i	;11
fS.3:	u84.9i	;10	fY.3:	v41.1i	;11
fX.0:	v13.2o	;08	fZ.0:	v56.2i	;07
fX.0:	u68.6i	;09	fZ.0:	v13.12o	;08
fX.0:	u35.2i, u40.2i	;13	fZ.0:	v54.6i	;09
			fZ.0:	v55.4i	;09
fX.1:	v13.5o	;08	fZ.0:	u83.4i	;09
fX.1:	u68.3i	;09	fZ.0:	u84.11i	;10
fX.1:	u35.14i	;13	fZ.0:	v52.5i, v52.9i	;10
fX.2:	v13.6o	;08	fZ.1:	v56.4i	;07
fX.2:	u68.2i	;09	fZ.1:	v13.15o	;08
fX.2:	u35.15i	;13	fZ.1:	u83.3i	;09
			fZ.1:	v54.3i	;09
fX.3:	v13.9o	;08	fZ.1:	v55.3i	;09
fX.3:	u68.1i	;09	fZ.1:	v52.4i, v52.10i	;10
fX.3:	u35.1i	;13			
			fZ.2:	v60.9i	;06
fY.0':	v38.6o	;08	fZ.2:	v59.9i	;06
fY.0':	v61.4i	;09	fZ.2:	v58.9i	;06
fY.0':	v62.4i	;09	fZ.2:	v57.9i	;06
fY.0':	v40.9i	;10	fZ.2:	v28.1i	;07
			fZ.2:	v56.6i	;07
fY.0:	v27.2i	;07	fZ.2:	v13.16o	;08
fY.0:	v38.7o	;08	fZ.2:	u83.2i	;09
fY.0:	v02.4i	;09	fZ.2:	v54.2i	;09
fY.0:	v49.4i	;09	fZ.2:	v55.2i	;09
fY.0:	v40.4i	;10			
			fZ.3:	v60.10i	;06
fY.1:	v27.5i	;07	fZ.3:	v59.10i	;06
fY.1:	v39.9o	;08	fZ.3:	v58.10i	;06
fY.1:	v02.3i	;09	fZ.3:	v57.10i	;06
fY.1:	v61.3i	;09	fZ.3:	v56.8i	;07
fY.1:	v49.3i	;09	fZ.3:	v13.19o	;08
fY.1:	v62.3i	;09	fZ.3:	u83.1i	;09
fY.1:	v40.12i	;10	fZ.3:	v54.1i	;09
fY.1:	u88.9i	;11	fZ.3:	v55.1i	;09
fY.1:	v35.9i	;11			
fY.1:	v30.9i	;11	FZero:	v04.11o	;01
			FZero:	v03.11o	;01
fY.2:	v27.11i	;07	FZero:	u74.11o	;01
fY.2:	v39.12o	;08	FZero:	u73.11o	;01
fY.2:	v02.2i	;09	FZero:	u69.9i	;02
fY.2:	v61.2i	;09	FZero:	u88.3i	;11
fY.2:	v49.2i	;09	FZero:	#R18.2i	;27
fY.2:	v62.2i	;09			
fY.2:	u88.10i	;11	G12-15':	u74.32o	;01
fY.2:	v35.10i	;11	G12-15':	u72.3i	;02
fY.2:	v30.10i	;11			
fY.3:	v27.14i	;07	G4-7':	v03.32o	;01
			G4-7':	u72.14i	;02

XEROX	PROPRIETARY NOTE ON COVER SHEET APPLIES TO ALL SHEETS		DWG SIZE A4	DWG NO. 156P11442	SHEET REV.
	TITLE	SCHMATIC, CP	SHEET	37 OF	B

G8-11': u73.32o ;01  
 G8-11': u72.1i ;02  
  
 GND: v04.30i ;01  
 GND: v03.30i ;01  
 GND: u73.30i ;01  
 GND: u74.30i ;01  
 GND: u72.5i, u72.6i ;02  
 GND: v34.19i ;03  
 GND: v48.19i ;03  
 GND: v33.19i ;03  
 GND: v47.19i ;03  
 GND: v37.14i, v37.11i, v37.6i ;03  
 GND: v37.3i  
 GND: v14.15i ;03  
 GND: v32.2i ;04  
 GND: v31.2i ;04  
 GND: u54.15i ;05  
 GND: v64.15i ;05  
 GND: v64.10i ;05  
 GND: u54.10i ;05  
 GND: v46.17i, v46.15i, v46.13i ;06  
 GND: v46.11i, v18.17i, v18.15i  
 GND: v18.13i, v18.11i  
 GND: v28.13i, v28.10i, v28.6i ;07  
 GND: v28.3i  
 GND: v27.13i, v27.10i, v27.6i ;07  
 GND: v27.3i  
 GND: u50.1i ;08  
 GND: v39.1i ;08  
 GND: v13.1i ;08  
 GND: u97.1i ;08  
 GND: u68.4i ;09  
 GND: u68.5i ;09  
 GND: u21.3i ;12  
 GND: u35.13i ;13  
 GND: u03.13i ;13  
 GND: u05.13i ;13  
 GND: u08.13i ;13  
 GND: u11.13i ;13  
 GND: u67.13i ;14  
 GND: u53.15i ;15  
 GND: u71.8i ;15  
 GND: u39.8i ;15  
 GND: u56.8i ;15  
 GND: u53.13i ;15  
 GND: v63.6i ;16  
 GND: v11.8i ;23  
 GND: v26.8i ;23  
 GND: u82.8i ;23  
 GND: u66.8i ;23  
 GND: u49.8i ;23  
 GND: u19.8i ;23  
 GND: u01.1i ;24  
 GND: v51.1i ;24  
 GND: u01.19i ;24  
 GND: v51.19i ;24  
 GND: u41.8i, u41.6i, u41.4i ;26

GND: u41.2i  
 GND: u41.11i, u41.13i, u41.15i ;26  
 GND: u41.17i  
 GND: #R13.2i ;27  
 GND: #C66.2i, #C67.2i ;27  
 GND: u95.7i ;27  
 GND: #C16.2o, #C15.2o, #C14.2o ;29  
 GND: #C13.2o, #C12.2o, #C11.2o  
 GND: #C10.2o, #C9.2o, #C8.2o  
 GND: #C7.2o, #C6.2o, #C5.2o  
 GND: #C4.2o, #C3.2o, #C2.2o  
 GND: #C1.2o  
 GND: #C32.2o, #C31.2o, #C30.2o ;29  
 GND: #C29.2o, #C28.2o, #C27.2o  
 GND: #C26.2o, #C25.2o, #C24.2o  
 GND: #C23.2o, #C22.2o, #C21.2o  
 GND: #C20.2o, #C19.2o, #C18.2o  
 GND: #C17.2o  
 GND: #C48.2o, #C47.2o, #C46.2o ;29  
 GND: #C45.2o, #C44.2o, #C43.2o  
 GND: #C42.2o, #C41.2o, #C40.2o  
 GND: #C39.2o, #C38.2o, #C37.2o  
 GND: #C36.2o, #C35.2o, #C34.2o  
 GND: #C33.2o  
 GND: #C65.2o, #C64.2o, #C63.2o ;29  
 GND: #C62.2o, #C61.2o, #C60.2o  
 GND: #C59.2o, #C58.2o, #C57.2o  
 GND: #C56.2o, #C55.2o, #C54.2o  
 GND: #C53.2o, #C52.2o, #C51.2o  
 GND: #C50.2o, #C49.2o

GoodIBDispc2: v64.12o, #TP017.1i ;05  
 GoodIBDispc2: u34.1i ;12  
 GoodIBDispc2: u24.4i ;12  
 GoodIBDispc2: u22.4i ;12  
 GoodIBDispc2: u23.4i ;12  
 GoodIBDispc2: u25.4i ;12

IB.0: v43.2o, #TP008.1i ;05  
 IB.0: v28.2i ;07  
 IB.0: v42.2i ;07  
 IB.0: u34.3i ;12

IB.1: v43.5o, #TP009.1i ;05  
 IB.1: v28.5i ;07  
 IB.1: v42.14i ;07  
 IB.1: u34.6i ;12

IB.2: v43.6o, #TP010.1i ;05  
 IB.2: v28.11i ;07  
 IB.2: v42.5i ;07  
 IB.2: u34.10i ;12

IB.3: v43.9o, #TP011.1i ;05  
 IB.3: v28.14i ;07  
 IB.3: v42.11i ;07  
 IB.3: u34.13i ;12

IB.4: v43.19o, #TP015.1i ;05

XEROX	PROPRIETARY NOTE ON COVER SHEET APPLIES TO ALL SHEETS		DWG SIZE A4	DWG NO. 156P11442	SHEET REV.
	TITLE SCHEMATIC, CP			SHEET 38 OF	B

IB.4: v42.3i ;07  
 IB.4: u24.6i ;12  
  
 IB.5: v43.16o, #TP014.1i ;05  
 IB.5: v42.13i ;07  
 IB.5: u22.6i ;12  
  
 IB.6: v43.15o, #TP013.1i ;05  
 IB.6: v42.6i ;07  
 IB.6: u25.6i ;12  
  
 IB.7: v43.12o, #TP012.1i ;05  
 IB.7: v42.10i ;07  
 IB.7: u23.6i ;12  
  
 IBDisp': u54.7i ;05  
 IBDisp': v64.7i ;05  
 IBDisp': v02.12o, #TP177.1i ;09  
  
 IBEmptyErr': u69.12o, u85.10i ;08  
  
 IBEmptyErr: v29.6o ;05  
 IBEmptyErr: u69.13i ;08  
 IBEmptyErr: u39.15i ;15  
  
 IBFront←: v64.11o, #TP016.1i ;05  
 IBFront←: v01.9i ;16  
  
 IBPtr.0: #TP172.1i, u55.2o, u54.6i ;05  
 IBPtr.0: v29.4i ;05  
 IBPtr.0: v64.6i ;05  
 IBPtr.0: v45.13i ;07  
  
 IBPtr.1: #TP173.1i, u55.5o, u54.5i ;05  
 IBPtr.1: v29.10i, v29.9i ;05  
 IBPtr.1: v64.5i ;05  
 IBPtr.1: v45.11i ;07  
 IBPtr.1: u21.13i ;12  
  
 IBPtr←0': u54.1i ;05  
 IBPtr←0': v64.1i ;05  
 IBPtr←0': u83.13o, #TP180.1i ;09  
  
 IBPtr←1': u54.2i ;05  
 IBPtr←1': v64.2i ;05  
 IBPtr←1': u83.14o, #TP179.1i ;09  
  
 IB←': u54.17i ;05  
 IB←': v64.17i ;05  
 IB←': v02.9o ;09  
 IB←': u40.5i ;16  
  
 INIA.0: u21.2i ;12  
 INIA.0: #TP123.1i, u62.7o ;20  
 INIA.0: u66.11i ;23  
 INIA.0: u65.1i ;25  
  
 INIA.10: u25.2i ;12  
 INIA.10: #TP141.1i, u32.7o ;22  
  
 INIA.10: u19.10i ;23  
 INIA.10: u33.14i ;25  
  
 INIA.11: u23.2i ;12  
 INIA.11: #TP142.1i, u17.7o ;22  
 INIA.11: u19.12i ;23  
 INIA.11: u18.14i ;25  
  
 INIA.1: u21.5i ;12  
 INIA.1: #TP124.1i, u45.7o ;20  
 INIA.1: u49.11i ;23  
 INIA.1: u48.1i ;25  
  
 INIA.2: u21.11i ;12  
 INIA.2: #TP125.1i, u30.7o ;20  
 INIA.2: u49.1i ;23  
 INIA.2: u33.1i ;25  
  
 INIA.3: u21.14i ;12  
 INIA.3: #TP126.1i, u15.7o ;20  
 INIA.3: u19.1i ;23  
 INIA.3: u18.1i ;25  
  
 INIA.4: u34.2i ;12  
 INIA.4: #TP131.1i, u63.7o ;21  
 INIA.4: u66.13i ;23  
 INIA.4: u65.15i ;25  
  
 INIA.5: u34.5i ;12  
 INIA.5: #TP132.1i, u46.7o ;21  
 INIA.5: u49.13i ;23  
 INIA.5: u48.15i ;25  
  
 INIA.6: u34.11i ;12  
 INIA.6: #TP133.1i, u31.7o ;21  
 INIA.6: u19.9i ;23  
 INIA.6: u33.15i ;25  
  
 INIA.7: u34.14i ;12  
 INIA.7: #TP134.1i, u16.7o ;21  
 INIA.7: u19.13i ;23  
 INIA.7: u18.15i ;25  
  
 INIA.8: u24.2i ;12  
 INIA.8: #TP139.1i, u64.7o ;22  
 INIA.8: u66.12i ;23  
 INIA.8: u65.14i ;25  
  
 INIA.9: u22.2i ;12  
 INIA.9: #TP140.1i, u47.7o ;22  
 INIA.9: u49.12i ;23  
 INIA.9: u48.14i ;25  
  
 IOPAddr.13: E176, v51.13i ;24  
 IOPAddr.14: E77, v51.11i ;24  
 IOPAddr.15: E177, u07.11i ;24

XEROX	PROPRIETARY NOTE ON COVER SHEET APPLIES TO ALL SHEETS		DWG SIZE A4	DWG NO. 156P11442	SHEET REV.
	TITLE SCHEMATIC, CP			SHEET 39 OF	B

IOPCtl←': v49.14o, E121 ;09  
 IOPData.0: u02.3i ;24  
 IOPData.0: E92, u01.2i ;24  
 IOPData.0: v25.5o ;25  
 IOPData.1: u02.4i ;24  
 IOPData.1: u07.2i ;24  
 IOPData.1: E192, u01.4i ;24  
 IOPData.1: v12.5o ;25  
 IOPData.2: u02.7i ;24  
 IOPData.2: u07.4i ;24  
 IOPData.2: E93, u01.6i ;24  
 IOPData.2: u96.5o ;25  
 IOPData.3: u02.8i ;24  
 IOPData.3: u07.6i ;24  
 IOPData.3: E193, u01.8i ;24  
 IOPData.3: u81.5o ;25  
 IOPData.4: u02.13i ;24  
 IOPData.4: u07.8i ;24  
 IOPData.4: E94, u01.11i ;24  
 IOPData.4: u65.5o ;25  
 IOPData.5: u02.14i ;24  
 IOPData.5: u07.13i ;24  
 IOPData.5: E194, u01.13i ;24  
 IOPData.5: u48.5o ;25  
 IOPData.6: u02.17i ;24  
 IOPData.6: u07.15i ;24  
 IOPData.6: E95, u01.15i ;24  
 IOPData.6: u33.5o ;25  
 IOPData.7: u02.18i ;24  
 IOPData.7: u07.17i ;24  
 IOPData.7: E195, u01.17i ;24  
 IOPData.7: u18.5o ;25  
 IOPData←': v49.15o, E21 ;09  
 IOPReq': E84, v50.3i ;14  
 IOPWait: u53.7i ;15  
 IOPWait: E189, u86.1i ;16  
 IOutSp1←': v62.12o, E26 ;09  
 IOutSp4←': v62.9o, E127 ;09  
 KCmd←': v62.10o, E27 ;09  
 KCtl←': v49.12o, E122 ;09  
 KernReq': v50.5i ;14  
 KernReq': u53.1i, u51.6o ;15  
 KernReq': #TP093.1i

KOData←': v49.13o, E22 ;09  
 KReq': E87, v50.7i ;14  
 KStrobe': v55.11o, E133 ;09  
 Link.0': u52.1i ;12  
 Link.0': u36.3o ;13  
 Link.1': u52.4i ;12  
 Link.1': u36.6o ;13  
 Link.2': u37.11i ;12  
 Link.2': u36.8o ;13  
 Link.3': u37.13i ;12  
 Link.3': u36.11o ;13  
 MapRef: u70.8o, E15 ;10  
 MapRef: u71.6i ;15  
 MapRefX': u68.10o ;09  
 MapRefX': u70.10i ;10  
 MapRefY': v61.14o ;09  
 MapRefY': u70.9i ;10  
 MarPgCross': u52.8o, u85.9i ;08  
 MarPgCross': u37.9i ;12  
 MAR←': #TP023.1i, u51.2o, u69.1i ;08  
 MAR←': v29.1i ;16  
 MAR←': u69.2o ;08  
 MAR←': u52.10i ;08  
 MCtl←': v62.13o, E115 ;09  
 mem: v39.6o, E113 ;08  
 MemErrc3: E166, u85.4i ;15  
 MesaInt: u54.4i ;05  
 MesaInt: v64.4i ;05  
 MesaInt: u88.1i ;11  
 MesaInt: u21.10i ;12  
 MesaInt: #TP078.1i, u55.9o, u56.5i ;15  
 MesaIntRq': v02.11o, #TP178.1i ;09  
 MesaIntRq': u56.7i ;15  
 NB.0: v16.9o ;05  
 NB.0: v44.2o ;05  
 NB.0: v43.3i ;05  
 NB.1: v16.6o ;05  
 NB.1: v44.5o ;05  
 NB.1: v43.4i ;05

XEROX	PROPRIETARY NOTE ON COVER SHEET APPLIES TO ALL SHEETS		DWG SIZE A4	DWG NO. 156P11442	SHEET REV. B
	TITLE	SCHEMATIC, CP	SHEET	40 OF	

NB.2:	v16.5o	;05	NetNIA.0':	u93.12i	;21
NB.2:	v44.6o	;05	NetNIA.0':	u79.12i	;21
NB.2:	v43.7i	;05	NetNIA.0':	u63.12i	;21
			NetNIA.0':	u46.12i	;21
			NetNIA.0':	u16.12i	;21
NB.3:	v16.2o	;05	NetNIA.0':	u31.12i	;21
NB.3:	v44.9o	;05	NetNIA.0':	v24.12i	;22
NB.3:	v43.8i	;05	NetNIA.0':	v10.12i	;22
			NetNIA.0':	u94.12i	;22
			NetNIA.0':	u80.12i	;22
NB.4:	v16.12o	;05	NetNIA.0':	u64.12i	;22
NB.4:	v44.19o	;05	NetNIA.0':	u47.12i	;22
NB.4:	v43.18i	;05	NetNIA.0':	u17.12i	;22
			NetNIA.0':	u32.12i	;22
NB.5:	v16.15o	;05	NetNIA.0':	#R8.2o	;27
NB.5:	v44.16o	;05	NetNIA.0':	u95.8o	;27
NB.5:	v43.17i	;05			
NB.6:	v16.16o	;05	NetNIA.1':	v19.13i	;17
NB.6:	v44.15o	;05	NetNIA.1':	v05.13i	;17
NB.6:	v43.14i	;05	NetNIA.1':	u89.13i	;17
			NetNIA.1':	u75.13i	;17
			NetNIA.1':	u59.13i	;17
NB.7:	v16.19o	;05	NetNIA.1':	u42.13i	;17
NB.7:	v44.12o	;05	NetNIA.1':	u12.13i	;17
NB.7:	v43.13i	;05	NetNIA.1':	u27.13i	;17
			NetNIA.1':	v20.13i	;18
			NetNIA.1':	v06.13i	;18
NetNIA.0':	v19.12i	;17	NetNIA.1':	u90.13i	;18
NetNIA.0':	v05.12i	;17	NetNIA.1':	u76.13i	;18
NetNIA.0':	u89.12i	;17	NetNIA.1':	u60.13i	;18
NetNIA.0':	u75.12i	;17	NetNIA.1':	u43.13i	;18
NetNIA.0':	u59.12i	;17	NetNIA.1':	u13.13i	;18
NetNIA.0':	u42.12i	;17	NetNIA.1':	u28.13i	;18
NetNIA.0':	u12.12i	;17	NetNIA.1':	v21.13i	;19
NetNIA.0':	u27.12i	;17	NetNIA.1':	v07.13i	;19
NetNIA.0':	v20.12i	;18	NetNIA.1':	u91.13i	;19
NetNIA.0':	v06.12i	;18	NetNIA.1':	u77.13i	;19
NetNIA.0':	u90.12i	;18	NetNIA.1':	u61.13i	;19
NetNIA.0':	u76.12i	;18	NetNIA.1':	u44.13i	;19
NetNIA.0':	u60.12i	;18	NetNIA.1':	u14.13i	;19
NetNIA.0':	u43.12i	;18	NetNIA.1':	u29.13i	;19
NetNIA.0':	u13.12i	;18	NetNIA.1':	v22.13i	;20
NetNIA.0':	u28.12i	;18	NetNIA.1':	v08.13i	;20
NetNIA.0':	v21.12i	;19	NetNIA.1':	u92.13i	;20
NetNIA.0':	v07.12i	;19	NetNIA.1':	u78.13i	;20
NetNIA.0':	u91.12i	;19	NetNIA.1':	u62.13i	;20
NetNIA.0':	u77.12i	;19	NetNIA.1':	u45.13i	;20
NetNIA.0':	u61.12i	;19	NetNIA.1':	u15.13i	;20
NetNIA.0':	u44.12i	;19	NetNIA.1':	u30.13i	;20
NetNIA.0':	u14.12i	;19	NetNIA.1':	v23.13i	;21
NetNIA.0':	u29.12i	;19	NetNIA.1':	v09.13i	;21
NetNIA.0':	v22.12i	;20	NetNIA.1':	u93.13i	;21
NetNIA.0':	v08.12i	;20	NetNIA.1':	u79.13i	;21
NetNIA.0':	u92.12i	;20	NetNIA.1':	u63.13i	;21
NetNIA.0':	u78.12i	;20	NetNIA.1':	u46.13i	;21
NetNIA.0':	u62.12i	;20	NetNIA.1':	u16.13i	;21
NetNIA.0':	u45.12i	;20	NetNIA.1':	u31.13i	;21
NetNIA.0':	u15.12i	;20	NetNIA.1':	v24.13i	;22
NetNIA.0':	u30.12i	;20	NetNIA.1':	v10.13i	;22
NetNIA.0':	u30.12i	;20			
NetNIA.0':	v23.12i	;21			
NetNIA.0':	v09.12i	;21			

XEROX	PROPRIETARY NOTE ON COVER SHEET APPLIES TO ALL SHEETS		DWG SIZE A4	DWG NO. 156P11442	SHEET REV.
	TITLE SCHEMATIC, CP			SHEET 41 OF	B

NetNIA.1': u94.13i ;22  
 NetNIA.1': u80.13i ;22  
 NetNIA.1': u64.13i ;22  
 NetNIA.1': u47.13i ;22  
 NetNIA.1': u17.13i ;22  
 NetNIA.1': u32.13i ;22  
 NetNIA.1': #R4.2o ;27  
 NetNIA.1': u95.9o ;27

NetNIA.10': v19.2i ;17  
 NetNIA.10': v05.2i ;17  
 NetNIA.10': u89.2i ;17  
 NetNIA.10': u75.2i ;17  
 NetNIA.10': u59.2i ;17  
 NetNIA.10': u42.2i ;17  
 NetNIA.10': u12.2i ;17  
 NetNIA.10': u27.2i ;17  
 NetNIA.10': v20.2i ;18  
 NetNIA.10': v06.2i ;18  
 NetNIA.10': u90.2i ;18  
 NetNIA.10': u76.2i ;18  
 NetNIA.10': u60.2i ;18  
 NetNIA.10': u43.2i ;18  
 NetNIA.10': u13.2i ;18  
 NetNIA.10': u28.2i ;18  
 NetNIA.10': v21.2i ;19  
 NetNIA.10': v07.2i ;19  
 NetNIA.10': u91.2i ;19  
 NetNIA.10': u77.2i ;19  
 NetNIA.10': u61.2i ;19  
 NetNIA.10': u44.2i ;19  
 NetNIA.10': u14.2i ;19  
 NetNIA.10': u29.2i ;19  
 NetNIA.10': v22.2i ;20  
 NetNIA.10': v08.2i ;20  
 NetNIA.10': u92.2i ;20  
 NetNIA.10': u78.2i ;20  
 NetNIA.10': u62.2i ;20  
 NetNIA.10': u45.2i ;20  
 NetNIA.10': u15.2i ;20  
 NetNIA.10': u30.2i ;20  
 NetNIA.10': v23.2i ;21  
 NetNIA.10': v09.2i ;21  
 NetNIA.10': u93.2i ;21  
 NetNIA.10': u79.2i ;21  
 NetNIA.10': u63.2i ;21  
 NetNIA.10': u46.2i ;21  
 NetNIA.10': u16.2i ;21  
 NetNIA.10': u31.2i ;21  
 NetNIA.10': v24.2i ;22  
 NetNIA.10': v10.2i ;22  
 NetNIA.10': u94.2i ;22  
 NetNIA.10': u80.2i ;22  
 NetNIA.10': u64.2i ;22  
 NetNIA.10': u47.2i ;22  
 NetNIA.10': u17.2i ;22  
 NetNIA.10': u32.2i ;22  
 NetNIA.10': #R1.2o ;27  
 NetNIA.10': u95.2i ;27

NetNIA.11': v19.1i ;17  
 NetNIA.11': v05.1i ;17  
 NetNIA.11': u89.1i ;17  
 NetNIA.11': u75.1i ;17  
 NetNIA.11': u59.1i ;17  
 NetNIA.11': u42.1i ;17  
 NetNIA.11': u12.1i ;17  
 NetNIA.11': u27.1i ;17  
 NetNIA.11': v20.1i ;18  
 NetNIA.11': v06.1i ;18  
 NetNIA.11': u90.1i ;18  
 NetNIA.11': u76.1i ;18  
 NetNIA.11': u60.1i ;18  
 NetNIA.11': u43.1i ;18  
 NetNIA.11': u13.1i ;18  
 NetNIA.11': u28.1i ;18  
 NetNIA.11': v21.1i ;19  
 NetNIA.11': v07.1i ;19  
 NetNIA.11': u91.1i ;19  
 NetNIA.11': u77.1i ;19  
 NetNIA.11': u61.1i ;19  
 NetNIA.11': u44.1i ;19  
 NetNIA.11': u14.1i ;19  
 NetNIA.11': u29.1i ;19  
 NetNIA.11': v22.1i ;20  
 NetNIA.11': v08.1i ;20  
 NetNIA.11': u92.1i ;20  
 NetNIA.11': u78.1i ;20  
 NetNIA.11': u62.1i ;20  
 NetNIA.11': u45.1i ;20  
 NetNIA.11': u15.1i ;20  
 NetNIA.11': u30.1i ;20  
 NetNIA.11': v23.1i ;21  
 NetNIA.11': v09.1i ;21  
 NetNIA.11': u93.1i ;21  
 NetNIA.11': u79.1i ;21  
 NetNIA.11': u63.1i ;21  
 NetNIA.11': u46.1i ;21  
 NetNIA.11': u16.1i ;21  
 NetNIA.11': u31.1i ;21  
 NetNIA.11': v24.1i ;22  
 NetNIA.11': v10.1i ;22  
 NetNIA.11': u94.1i ;22  
 NetNIA.11': u80.1i ;22  
 NetNIA.11': u64.1i ;22  
 NetNIA.11': u47.1i ;22  
 NetNIA.11': u17.1i ;22  
 NetNIA.11': u32.1i ;22  
 NetNIA.11': #R2.2o ;27  
 NetNIA.11': u95.1i ;27

NetNIA.2': v19.14i ;17  
 NetNIA.2': v05.14i ;17  
 NetNIA.2': u89.14i ;17  
 NetNIA.2': u75.14i ;17  
 NetNIA.2': u59.14i ;17  
 NetNIA.2': u42.14i ;17  
 NetNIA.2': u12.14i ;17

XEROX	PROPRIETARY NOTE ON COVER SHEET APPLIES TO ALL SHEETS		DWG SIZE A4	DWG NO. 156P11442	SHEET REV.
	TITLE SCHEMATIC, CP			SHEET 42 OF	B

NetNIA.2': u27.14i ;17  
 NetNIA.2': v20.14i ;18  
 NetNIA.2': v06.14i ;18  
 NetNIA.2': u90.14i ;18  
 NetNIA.2': u76.14i ;18  
 NetNIA.2': u60.14i ;18  
 NetNIA.2': u43.14i ;18  
 NetNIA.2': u13.14i ;18  
 NetNIA.2': u28.14i ;18  
 NetNIA.2': v21.14i ;19  
 NetNIA.2': v07.14i ;19  
 NetNIA.2': u91.14i ;19  
 NetNIA.2': u77.14i ;19  
 NetNIA.2': u61.14i ;19  
 NetNIA.2': u44.14i ;19  
 NetNIA.2': u14.14i ;19  
 NetNIA.2': u29.14i ;19  
 NetNIA.2': v22.14i ;20  
 NetNIA.2': v08.14i ;20  
 NetNIA.2': u92.14i ;20  
 NetNIA.2': u78.14i ;20  
 NetNIA.2': u62.14i ;20  
 NetNIA.2': u45.14i ;20  
 NetNIA.2': u15.14i ;20  
 NetNIA.2': u30.14i ;20  
 NetNIA.2': v23.14i ;21  
 NetNIA.2': v09.14i ;21  
 NetNIA.2': u93.14i ;21  
 NetNIA.2': u79.14i ;21  
 NetNIA.2': u63.14i ;21  
 NetNIA.2': u46.14i ;21  
 NetNIA.2': u16.14i ;21  
 NetNIA.2': u31.14i ;21  
 NetNIA.2': v24.14i ;22  
 NetNIA.2': v10.14i ;22  
 NetNIA.2': u94.14i ;22  
 NetNIA.2': u80.14i ;22  
 NetNIA.2': u64.14i ;22  
 NetNIA.2': u47.14i ;22  
 NetNIA.2': u17.14i ;22  
 NetNIA.2': u32.14i ;22  
 NetNIA.2': #R6.2o ;27  
 NetNIA.2': u95.10o ;27

NetNIA.3': v19.15i ;17  
 NetNIA.3': v05.15i ;17  
 NetNIA.3': u89.15i ;17  
 NetNIA.3': u75.15i ;17  
 NetNIA.3': u59.15i ;17  
 NetNIA.3': u42.15i ;17  
 NetNIA.3': u12.15i ;17  
 NetNIA.3': u27.15i ;17  
 NetNIA.3': v20.15i ;18  
 NetNIA.3': v06.15i ;18  
 NetNIA.3': u90.15i ;18  
 NetNIA.3': u76.15i ;18  
 NetNIA.3': u60.15i ;18  
 NetNIA.3': u43.15i ;18  
 NetNIA.3': u13.15i ;18

NetNIA.3': u28.15i ;18  
 NetNIA.3': v21.15i ;19  
 NetNIA.3': v07.15i ;19  
 NetNIA.3': u91.15i ;19  
 NetNIA.3': u77.15i ;19  
 NetNIA.3': u61.15i ;19  
 NetNIA.3': u44.15i ;19  
 NetNIA.3': u14.15i ;19  
 NetNIA.3': u29.15i ;19  
 NetNIA.3': v22.15i ;20  
 NetNIA.3': v08.15i ;20  
 NetNIA.3': u92.15i ;20  
 NetNIA.3': u78.15i ;20  
 NetNIA.3': u62.15i ;20  
 NetNIA.3': u45.15i ;20  
 NetNIA.3': u15.15i ;20  
 NetNIA.3': u30.15i ;20  
 NetNIA.3': v23.15i ;21  
 NetNIA.3': v09.15i ;21  
 NetNIA.3': u93.15i ;21  
 NetNIA.3': u79.15i ;21  
 NetNIA.3': u63.15i ;21  
 NetNIA.3': u46.15i ;21  
 NetNIA.3': u16.15i ;21  
 NetNIA.3': u31.15i ;21  
 NetNIA.3': v24.15i ;22  
 NetNIA.3': v10.15i ;22  
 NetNIA.3': u94.15i ;22  
 NetNIA.3': u80.15i ;22  
 NetNIA.3': u64.15i ;22  
 NetNIA.3': u47.15i ;22  
 NetNIA.3': u17.15i ;22  
 NetNIA.3': u32.15i ;22  
 NetNIA.3': #R3.2o ;27  
 NetNIA.3': u95.11o ;27

NetNIA.4': v19.16i ;17  
 NetNIA.4': v05.16i ;17  
 NetNIA.4': u89.16i ;17  
 NetNIA.4': u75.16i ;17  
 NetNIA.4': u59.16i ;17  
 NetNIA.4': u42.16i ;17  
 NetNIA.4': u12.16i ;17  
 NetNIA.4': u27.16i ;17  
 NetNIA.4': v20.16i ;18  
 NetNIA.4': v06.16i ;18  
 NetNIA.4': u90.16i ;18  
 NetNIA.4': u76.16i ;18  
 NetNIA.4': u60.16i ;18  
 NetNIA.4': u43.16i ;18  
 NetNIA.4': u13.16i ;18  
 NetNIA.4': u28.16i ;18  
 NetNIA.4': v21.16i ;19  
 NetNIA.4': v07.16i ;19  
 NetNIA.4': u91.16i ;19  
 NetNIA.4': u77.16i ;19  
 NetNIA.4': u61.16i ;19  
 NetNIA.4': u44.16i ;19  
 NetNIA.4': u14.16i ;19

XEROX	PROPRIETARY NOTE ON COVER SHEET APPLIES TO ALL SHEETS		DWG SIZE A4	DWG NO. 156P11442	SHEET REV.
	TITLE SCHEMATIC, CP			SHEET 43 OF	B

NetNIA.4': u29.16i ;19  
 NetNIA.4': v22.16i ;20  
 NetNIA.4': v08.16i ;20  
 NetNIA.4': u92.16i ;20  
 NetNIA.4': u78.16i ;20  
 NetNIA.4': u62.16i ;20  
 NetNIA.4': u45.16i ;20  
 NetNIA.4': u15.16i ;20  
 NetNIA.4': u30.16i ;20  
 NetNIA.4': v23.16i ;21  
 NetNIA.4': v09.16i ;21  
 NetNIA.4': u93.16i ;21  
 NetNIA.4': u79.16i ;21  
 NetNIA.4': u63.16i ;21  
 NetNIA.4': u46.16i ;21  
 NetNIA.4': u16.16i ;21  
 NetNIA.4': u31.16i ;21  
 NetNIA.4': v24.16i ;22  
 NetNIA.4': v10.16i ;22  
 NetNIA.4': u94.16i ;22  
 NetNIA.4': u80.16i ;22  
 NetNIA.4': u64.16i ;22  
 NetNIA.4': u47.16i ;22  
 NetNIA.4': u17.16i ;22  
 NetNIA.4': u32.16i ;22  
 NetNIA.4': #R10.2o ;27  
 NetNIA.4': u95.12o ;27

NetNIA.5': v19.17i ;17  
 NetNIA.5': v05.17i ;17  
 NetNIA.5': u89.17i ;17  
 NetNIA.5': u75.17i ;17  
 NetNIA.5': u59.17i ;17  
 NetNIA.5': u42.17i ;17  
 NetNIA.5': u12.17i ;17  
 NetNIA.5': u27.17i ;17  
 NetNIA.5': v20.17i ;18  
 NetNIA.5': v06.17i ;18  
 NetNIA.5': u90.17i ;18  
 NetNIA.5': u76.17i ;18  
 NetNIA.5': u60.17i ;18  
 NetNIA.5': u43.17i ;18  
 NetNIA.5': u13.17i ;18  
 NetNIA.5': u28.17i ;18  
 NetNIA.5': v21.17i ;19  
 NetNIA.5': v07.17i ;19  
 NetNIA.5': u91.17i ;19  
 NetNIA.5': u77.17i ;19  
 NetNIA.5': u61.17i ;19  
 NetNIA.5': u44.17i ;19  
 NetNIA.5': u14.17i ;19  
 NetNIA.5': u29.17i ;19  
 NetNIA.5': v22.17i ;20  
 NetNIA.5': v08.17i ;20  
 NetNIA.5': u92.17i ;20  
 NetNIA.5': u78.17i ;20  
 NetNIA.5': u62.17i ;20  
 NetNIA.5': u45.17i ;20  
 NetNIA.5': u15.17i ;20

NetNIA.5': u30.17i ;20  
 NetNIA.5': v23.17i ;21  
 NetNIA.5': v09.17i ;21  
 NetNIA.5': u93.17i ;21  
 NetNIA.5': u79.17i ;21  
 NetNIA.5': u63.17i ;21  
 NetNIA.5': u46.17i ;21  
 NetNIA.5': u16.17i ;21  
 NetNIA.5': u31.17i ;21  
 NetNIA.5': v24.17i ;22  
 NetNIA.5': v10.17i ;22  
 NetNIA.5': u94.17i ;22  
 NetNIA.5': u80.17i ;22  
 NetNIA.5': u64.17i ;22  
 NetNIA.5': u47.17i ;22  
 NetNIA.5': u17.17i ;22  
 NetNIA.5': u32.17i ;22  
 NetNIA.5': #R12.2o ;27  
 NetNIA.5': u95.13o ;27

NetNIA.6': v19.6i ;17  
 NetNIA.6': v05.6i ;17  
 NetNIA.6': u89.6i ;17  
 NetNIA.6': u75.6i ;17  
 NetNIA.6': u59.6i ;17  
 NetNIA.6': u42.6i ;17  
 NetNIA.6': u12.6i ;17  
 NetNIA.6': u27.6i ;17  
 NetNIA.6': v20.6i ;18  
 NetNIA.6': v06.6i ;18  
 NetNIA.6': u90.6i ;18  
 NetNIA.6': u76.6i ;18  
 NetNIA.6': u60.6i ;18  
 NetNIA.6': u43.6i ;18  
 NetNIA.6': u13.6i ;18  
 NetNIA.6': u28.6i ;18  
 NetNIA.6': v21.6i ;19  
 NetNIA.6': v07.6i ;19  
 NetNIA.6': u91.6i ;19  
 NetNIA.6': u77.6i ;19  
 NetNIA.6': u61.6i ;19  
 NetNIA.6': u44.6i ;19  
 NetNIA.6': u14.6i ;19  
 NetNIA.6': u29.6i ;19  
 NetNIA.6': v22.6i ;20  
 NetNIA.6': v08.6i ;20  
 NetNIA.6': u92.6i ;20  
 NetNIA.6': u78.6i ;20  
 NetNIA.6': u62.6i ;20  
 NetNIA.6': u45.6i ;20  
 NetNIA.6': u15.6i ;20  
 NetNIA.6': u30.6i ;20  
 NetNIA.6': v23.6i ;21  
 NetNIA.6': v09.6i ;21  
 NetNIA.6': u93.6i ;21  
 NetNIA.6': u79.6i ;21  
 NetNIA.6': u63.6i ;21  
 NetNIA.6': u46.6i ;21  
 NetNIA.6': u16.6i ;21

XEROX	PROPRIETARY NOTE ON COVER SHEET APPLIES TO ALL SHEETS		DWG SIZE A4	DWG NO. 156P11442	SHEET REV. B
	TITLE SCHEMATIC, CP		SHEET 44	OF	

NetNIA.6': u31.6i ;21  
 NetNIA.6': v24.6i ;22  
 NetNIA.6': v10.6i ;22  
 NetNIA.6': u94.6i ;22  
 NetNIA.6': u80.6i ;22  
 NetNIA.6': u64.6i ;22  
 NetNIA.6': u47.6i ;22  
 NetNIA.6': u17.6i ;22  
 NetNIA.6': u32.6i ;22  
 NetNIA.6': #R9.2o ;27  
 NetNIA.6': u95.6i ;27

NetNIA.7': v19.5i ;17  
 NetNIA.7': v05.5i ;17  
 NetNIA.7': u89.5i ;17  
 NetNIA.7': u75.5i ;17  
 NetNIA.7': u59.5i ;17  
 NetNIA.7': u42.5i ;17  
 NetNIA.7': u12.5i ;17  
 NetNIA.7': u27.5i ;17  
 NetNIA.7': v20.5i ;18  
 NetNIA.7': v06.5i ;18  
 NetNIA.7': u90.5i ;18  
 NetNIA.7': u76.5i ;18  
 NetNIA.7': u60.5i ;18  
 NetNIA.7': u43.5i ;18  
 NetNIA.7': u13.5i ;18  
 NetNIA.7': u28.5i ;18  
 NetNIA.7': v21.5i ;19  
 NetNIA.7': v07.5i ;19  
 NetNIA.7': u91.5i ;19  
 NetNIA.7': u77.5i ;19  
 NetNIA.7': u61.5i ;19  
 NetNIA.7': u44.5i ;19  
 NetNIA.7': u14.5i ;19  
 NetNIA.7': u29.5i ;19  
 NetNIA.7': v22.5i ;20  
 NetNIA.7': v08.5i ;20  
 NetNIA.7': u92.5i ;20  
 NetNIA.7': u78.5i ;20  
 NetNIA.7': u62.5i ;20  
 NetNIA.7': u45.5i ;20  
 NetNIA.7': u15.5i ;20  
 NetNIA.7': u30.5i ;20  
 NetNIA.7': v23.5i ;21  
 NetNIA.7': v09.5i ;21  
 NetNIA.7': u93.5i ;21  
 NetNIA.7': u79.5i ;21  
 NetNIA.7': u63.5i ;21  
 NetNIA.7': u46.5i ;21  
 NetNIA.7': u16.5i ;21  
 NetNIA.7': u31.5i ;21  
 NetNIA.7': v24.5i ;22  
 NetNIA.7': v10.5i ;22  
 NetNIA.7': u94.5i ;22  
 NetNIA.7': u80.5i ;22  
 NetNIA.7': u64.5i ;22  
 NetNIA.7': u47.5i ;22  
 NetNIA.7': u17.5i ;22

NetNIA.7': u32.5i ;22  
 NetNIA.7': #R11.2o ;27  
 NetNIA.7': u95.5i ;27

NetNIA.8': v19.4i ;17  
 NetNIA.8': v05.4i ;17  
 NetNIA.8': u89.4i ;17  
 NetNIA.8': u75.4i ;17  
 NetNIA.8': u59.4i ;17  
 NetNIA.8': u42.4i ;17  
 NetNIA.8': u12.4i ;17  
 NetNIA.8': u27.4i ;17  
 NetNIA.8': v20.4i ;18  
 NetNIA.8': v06.4i ;18  
 NetNIA.8': u90.4i ;18  
 NetNIA.8': u76.4i ;18  
 NetNIA.8': u60.4i ;18  
 NetNIA.8': u43.4i ;18  
 NetNIA.8': u13.4i ;18  
 NetNIA.8': u28.4i ;18  
 NetNIA.8': v21.4i ;19  
 NetNIA.8': v07.4i ;19  
 NetNIA.8': u91.4i ;19  
 NetNIA.8': u77.4i ;19  
 NetNIA.8': u61.4i ;19  
 NetNIA.8': u44.4i ;19  
 NetNIA.8': u14.4i ;19  
 NetNIA.8': u29.4i ;19  
 NetNIA.8': v22.4i ;20  
 NetNIA.8': v08.4i ;20  
 NetNIA.8': u92.4i ;20  
 NetNIA.8': u78.4i ;20  
 NetNIA.8': u62.4i ;20  
 NetNIA.8': u45.4i ;20  
 NetNIA.8': u15.4i ;20  
 NetNIA.8': u30.4i ;20  
 NetNIA.8': v23.4i ;21  
 NetNIA.8': v09.4i ;21  
 NetNIA.8': u93.4i ;21  
 NetNIA.8': u79.4i ;21  
 NetNIA.8': u63.4i ;21  
 NetNIA.8': u46.4i ;21  
 NetNIA.8': u16.4i ;21  
 NetNIA.8': u31.4i ;21  
 NetNIA.8': v24.4i ;22  
 NetNIA.8': v10.4i ;22  
 NetNIA.8': u94.4i ;22  
 NetNIA.8': u80.4i ;22  
 NetNIA.8': u64.4i ;22  
 NetNIA.8': u47.4i ;22  
 NetNIA.8': u17.4i ;22  
 NetNIA.8': u32.4i ;22  
 NetNIA.8': #R5.2o ;27  
 NetNIA.8': u95.4i ;27

NetNIA.9': v19.3i ;17  
 NetNIA.9': v05.3i ;17  
 NetNIA.9': u89.3i ;17  
 NetNIA.9': u75.3i ;17

XEROX	PROPRIETARY NOTE ON COVER SHEET APPLIES TO ALL SHEETS		DWG SIZE A4	DWG NO. 156P11442	SHEET REV.
	TITLE SCHEMATIC, CP			SHEET 45 OF	B

NetNIA.9': u59.3i ;17  
 NetNIA.9': u42.3i ;17  
 NetNIA.9': u12.3i ;17  
 NetNIA.9': u27.3i ;17  
 NetNIA.9': v20.3i ;18  
 NetNIA.9': v06.3i ;18  
 NetNIA.9': u90.3i ;18  
 NetNIA.9': u76.3i ;18  
 NetNIA.9': u60.3i ;18  
 NetNIA.9': u43.3i ;18  
 NetNIA.9': u13.3i ;18  
 NetNIA.9': u28.3i ;18  
 NetNIA.9': v21.3i ;19  
 NetNIA.9': v07.3i ;19  
 NetNIA.9': u91.3i ;19  
 NetNIA.9': u77.3i ;19  
 NetNIA.9': u61.3i ;19  
 NetNIA.9': u44.3i ;19  
 NetNIA.9': u14.3i ;19  
 NetNIA.9': u29.3i ;19  
 NetNIA.9': v22.3i ;20  
 NetNIA.9': v08.3i ;20  
 NetNIA.9': u92.3i ;20  
 NetNIA.9': u78.3i ;20  
 NetNIA.9': u62.3i ;20  
 NetNIA.9': u45.3i ;20  
 NetNIA.9': u15.3i ;20  
 NetNIA.9': u30.3i ;20  
 NetNIA.9': v23.3i ;21  
 NetNIA.9': v09.3i ;21  
 NetNIA.9': u93.3i ;21  
 NetNIA.9': u79.3i ;21  
 NetNIA.9': u63.3i ;21  
 NetNIA.9': u46.3i ;21  
 NetNIA.9': u16.3i ;21  
 NetNIA.9': u31.3i ;21  
 NetNIA.9': v24.3i ;22  
 NetNIA.9': v10.3i ;22  
 NetNIA.9': u94.3i ;22  
 NetNIA.9': u80.3i ;22  
 NetNIA.9': u64.3i ;22  
 NetNIA.9': u47.3i ;22  
 NetNIA.9': u17.3i ;22  
 NetNIA.9': u32.3i ;22  
 NetNIA.9': #R7.2o ;27  
 NetNIA.9': u95.3i ;27  
  
 NIA.0': u04.2o, #TP152.1i ;27  
 NIA.0': #R8.1i ;27  
  
 NIA.1': u04.7o, #TP153.1i ;27  
 NIA.1': #R4.1i ;27  
  
 NIA.10': u09.10o, #TP162.1i ;27  
 NIA.10': #R1.1i ;27  
  
 NIA.11': u09.15o, #TP163.1i ;27  
 NIA.11': #R2.1i ;27  
  
 NIA.2': u04.10o, #TP154.1i ;27  
 NIA.2': #R6.1i ;27  
  
 NIA.3': u04.15o, #TP155.1i ;27  
 NIA.3': #R3.1i ;27  
  
 NIA.4': u20.2o, #TP156.1i ;27  
 NIA.4': #R10.1i ;27  
  
 NIA.5': u20.7o, #TP157.1i ;27  
 NIA.5': #R12.1i ;27  
  
 NIA.6': u20.10o, #TP158.1i ;27  
 NIA.6': #R9.1i ;27  
  
 NIA.7': u20.15o, #TP159.1i ;27  
 NIA.7': #R11.1i ;27  
  
 NIA.8': u09.2o, #TP160.1i ;27  
 NIA.8': #R5.1i ;27  
  
 NIA.9': u09.7o, #TP161.1i ;27  
 NIA.9': #R7.1i ;27  
  
 NIAX.0': u03.12i ;13  
 NIAX.0': u06.9o, #TP183.1i ;13  
 NIAX.0': u02.9o ;24  
  
 NIAX.1': u03.10i ;13  
 NIAX.1': u06.12o, #TP184.1i ;13  
 NIAX.1': u02.12o ;24  
  
 NIAX.10': u10.6o, #TP193.1i ;13  
 NIAX.10': u35.6i ;13  
 NIAX.10': u08.6i ;13  
 NIAX.10': u07.5o ;24  
  
 NIAX.11': u10.9o, #TP194.1i ;13  
 NIAX.11': u35.4i ;13  
 NIAX.11': u08.4i ;13  
 NIAX.11': u07.3o ;24  
  
 NIAX.2': u03.6i ;13  
 NIAX.2': u06.15o, #TP185.1i ;13  
 NIAX.2': u02.15o ;24  
  
 NIAX.3': u03.4i ;13  
 NIAX.3': u06.16o, #TP186.1i ;13  
 NIAX.3': u02.16o ;24  
  
 NIAX.4': u05.12i ;13  
 NIAX.4': u06.19o, #TP187.1i ;13  
 NIAX.4': u02.19o ;24  
  
 NIAX.5': u05.10i ;13  
 NIAX.5': u06.2o, #TP188.1i ;13  
 NIAX.5': u07.18o ;24  
  
 NIAX.6': u05.6i ;13

XEROX	PROPRIETARY NOTE ON COVER SHEET APPLIES TO ALL SHEETS		DWG SIZE A4	DWG NO. 156P11442	SHEET REV. B
	TITLE SCHEMATIC, CP		SHEET 46	OF	

NIAX.6': u06.5o, #TP189.1i ;13  
 NIAX.6': u07.16o ;24  
  
 NIAX.7': u05.4i ;13  
 NIAX.7': u40.1i ;13  
 NIAX.7': u06.6o, #TP190.1i ;13  
 NIAX.7': v01.4i ;16  
 NIAX.7': u07.14o ;24  
  
 NIAX.8': u10.2o, #TP191.1i ;13  
 NIAX.8': u35.12i ;13  
 NIAX.8': u08.12i ;13  
 NIAX.8': u07.12o ;24  
  
 NIAX.9': u10.5o, #TP192.1i ;13  
 NIAX.9': u35.10i ;13  
 NIAX.9': u08.10i ;13  
 NIAX.9': u07.7o ;24  
  
 Nibble': v27.15i ;07  
 Nibble': v56.1i ;07  
 Nibble': v53.13i ;10  
 Nibble': v53.6o ;10  
  
 NibCarry: u73.29i ;01  
 NibCarry: u74.33o ;01  
 NibCarry: u88.12i ;11  
  
 NstackP.0: v15.3i ;03  
 NstackP.0: u99.10o, v00.4i ;04  
  
 NstackP.1: v15.6i ;03  
 NstackP.1: u99.13o, v00.5i ;04  
  
 NstackP.2: v15.11i ;03  
 NstackP.2: u99.1o, v00.12i ;04  
  
 NstackP.3: v15.14i ;03  
 NstackP.3: u99.4o, v00.13i ;04  
  
 Nt.0: u03.14i ;13  
 Nt.0: u05.14i ;13  
 Nt.0: u08.14i ;13  
 Nt.0: u11.14i ;13  
 Nt.0: #TP070.1i, v56.3o, v50.11o ;14  
 Nt.0: v36.3i  
 Nt.0: u67.3i ;14  
 Nt.0: u02.2o ;24  
  
 Nt.1: u03.15i ;13  
 Nt.1: u05.15i ;13  
 Nt.1: u08.15i ;13  
 Nt.1: u11.15i ;13  
 Nt.1: #TP071.1i, v56.5o, v50.12o ;14  
 Nt.1: v36.4i  
 Nt.1: u67.4i ;14  
 Nt.1: u02.5o ;24  
  
 Nt.2: u03.1i ;13

Nt.2: u05.1i ;13  
 Nt.2: u08.1i ;13  
 Nt.2: u11.1i ;13  
 Nt.2: #TP072.1i, v56.7o, v50.13o ;14  
 Nt.2: v36.7i  
 Nt.2: u67.7i ;14  
 Nt.2: u02.6o ;24  
  
 Nt=Emu: #TP073.1i, v56.9o, v50.14o ;14  
 Nt=Emu: v36.8i  
  
 Nt←Pt: v63.10o, v56.19i ;14  
  
 OVR: v04.34o ;01  
 OVR: v35.12i ;11  
  
 P12-15': u74.35o ;01  
 P12-15': u72.4i ;02  
  
 P4-7': v03.35o ;01  
 P4-7': u72.15i ;02  
  
 P8-11': u73.35o ;01  
 P8-11': u72.2i ;02  
  
 paD.0: u50.13i ;08  
 paD.0: #TP109.1i, u28.7o ;18  
 paD.0: u49.9i ;23  
 paD.0: u33.3i ;25  
  
 paD.1: u50.14i ;08  
 paD.1: #TP110.1i, u13.7o ;18  
 paD.1: u19.4i ;23  
 paD.1: u18.3i ;25  
  
 paF.0: v39.3i ;08  
 paF.0: #TP106.1i, u76.7o ;18  
 paF.0: u82.4i ;23  
 paF.0: u81.3i ;25  
  
 paF.1: u50.17i ;08  
 paF.1: u98.12i ;08  
 paF.1: #TP107.1i, u60.7o ;18  
 paF.1: u66.9i ;23  
 paF.1: u65.3i ;25  
  
 paF.2: u50.18i ;08  
 paF.2: u98.13i ;08  
 paF.2: #TP108.1i, u43.7o ;18  
 paF.2: u66.1i ;23  
 paF.2: u48.3i ;25  
  
 PageCarry: v03.29i ;01  
 PageCarry: u72.11o, u70.2i ;02  
 PageCarry: u88.15i ;11  
  
 PageCross: u70.3o, #TP002.1i ;02  
 PageCross: u52.9i ;08  
 PageCross: v30.12i ;11

XEROX	PROPRIETARY NOTE ON COVER SHEET APPLIES TO ALL SHEETS		DWG SIZE A4	DWG NO. 156P11442	SHEET REV. B
	TITLE	SCHEMATIC, CP	SHEET 47	OF	

pAllowMDR←: u85.8o, u51.4i ;08  
 pAlwaysCLK': v63.4o ;16  
 pAlwaysCLK': v17.9i, v17.11i ;16  
 pAlwaysCLK': u87.2i, u87.5i  
 pAlwaysCLK': v17.5i  
  
 paS.0: u97.13i ;08  
 paS.0: u85.1i ;08  
 paS.0: #TP103.1i, v20.7o ;18  
 paS.0: v26.9i ;23  
 paS.0: v25.3i ;25  
  
 paS.1: u97.14i ;08  
 paS.1: u98.4i ;08  
 paS.1: #TP104.1i, v06.7o ;18  
 paS.1: v26.1i ;23  
 paS.1: v12.3i ;25  
  
 paS.2: u97.17i ;08  
 paS.2: u98.5i ;08  
 paS.2: #TP105.1i, u90.7o ;18  
 paS.2: v11.9i ;23  
 paS.2: u96.3i ;25  
  
 paSh.0: u85.3o, u97.18i ;08  
  
 pc16': u57.9i ;02  
 pc16': v35.2i ;11  
 pc16': u53.5i, u55.16o, #TP094.1i ;15  
  
 pCIN-SE-wrSU: v38.4i ;08  
 pCIN-SE-wrSU: #TP112.1i, v07.7o ;19  
 pCIN-SE-wrSU: v11.10i ;23  
 pCIN-SE-wrSU: v12.2i ;25  
  
 pCSPar.0: v26.5o, u26.3i ;23  
 pCSPar.1: v11.5o, u26.4i ;23  
 pCSPar.2: u82.5o, u26.7i ;23  
 pCSPar.3: u66.5o, u26.8i ;23  
 pCSPar.4: u49.5o, u38.4i ;23  
 pCSPar.5: u19.5o, u38.18i ;23  
  
 pCSPE: #TP076.1i, u56.11o, u55.7i ;15  
  
 pCSWE.a': E81, v51.2i ;24  
 pCSWE.b': E181, v51.4i ;24  
 pCSWE.c': E82, v51.6i ;24  
 pCSWE.d': E182, v51.8i ;24

pCSWE.e': E83, v51.17i ;24  
 pCSWE.f': E183, v51.15i ;24  
 Pctl←': v62.14o, E128 ;09  
  
 PDT-A: u67.14i ;14  
 PDT-A: u39.10i ;15  
 PDT-A: u53.14i ;15  
 PDT-A: u41.16o, #TP144.1i ;26  
  
 PDT-Clk: u41.12o, #TP146.1i ;26  
 PDT-Clk: u51.1i ;28  
 PDT-Clk: u38.1i ;28  
 PDT-Clk: u26.1i ;28  
  
 PDT-CS-a: v19.10i ;17  
 PDT-CS-a: v05.10i ;17  
 PDT-CS-a: u75.10i ;17  
 PDT-CS-a: u89.10i ;17  
 PDT-CS-a: v20.10i ;18  
 PDT-CS-a: u90.10i ;18  
 PDT-CS-a: u76.10i ;18  
 PDT-CS-a: v06.10i ;18  
 PDT-CS-a: v21.10i ;19  
 PDT-CS-a: v07.10i ;19  
 PDT-CS-a: u77.10i ;19  
 PDT-CS-a: u91.10i ;19  
 PDT-CS-a: v22.10i ;20  
 PDT-CS-a: v08.10i ;20  
 PDT-CS-a: u78.10i ;20  
 PDT-CS-a: u92.10i ;20  
 PDT-CS-a: v23.10i ;21  
 PDT-CS-a: v09.10i ;21  
 PDT-CS-a: u79.10i ;21  
 PDT-CS-a: u93.10i ;21  
 PDT-CS-a: v24.10i ;22  
 PDT-CS-a: v10.10i ;22  
 PDT-CS-a: u80.10i ;22  
 PDT-CS-a: u94.10i ;22  
 PDT-CS-a: u41.7o, #TP149.1i ;26  
  
 PDT-CS-b: u59.10i ;17  
 PDT-CS-b: u42.10i ;17  
 PDT-CS-b: u12.10i ;17  
 PDT-CS-b: u27.10i ;17  
 PDT-CS-b: u60.10i ;18  
 PDT-CS-b: u43.10i ;18  
 PDT-CS-b: u13.10i ;18  
 PDT-CS-b: u28.10i ;18  
 PDT-CS-b: u61.10i ;19  
 PDT-CS-b: u44.10i ;19  
 PDT-CS-b: u14.10i ;19  
 PDT-CS-b: u29.10i ;19  
 PDT-CS-b: u62.10i ;20  
 PDT-CS-b: u45.10i ;20  
 PDT-CS-b: u15.10i ;20  
 PDT-CS-b: u30.10i ;20  
 PDT-CS-b: u63.10i ;21

XEROX	PROPRIETARY NOTE ON COVER SHEET APPLIES TO ALL SHEETS		DWG SIZE A4	DWG NO. 156P11442	SHEET REV. B
	TITLE SCHEMATIC, CP			SHEET 48 OF	

PDT-CS-b: u46.10i ;21  
PDT-CS-b: u16.10i ;21  
PDT-CS-b: u31.10i ;21  
PDT-CS-b: u64.10i ;22  
PDT-CS-b: u47.10i ;22  
PDT-CS-b: u17.10i ;22  
PDT-CS-b: u32.10i ;22  
PDT-CS-b: u41.9o, #TP150.1i ;26  
  
PDT-tpc: u03.2i ;13  
PDT-tpc: u05.2i ;13  
PDT-tpc: u08.2i ;13  
PDT-tpc: u11.2i ;13  
PDT-tpc: u41.5o, #TP148.1i ;26  
  
PDT-W: v43.1i ;05  
PDT-W: v36.1i ;14  
PDT-W: u71.10i ;15  
PDT-W: u56.10i ;15  
PDT-W: u41.14o, #TP145.1i ;26  
  
PDT-Wait: v64.8i ;05  
PDT-Wait: u54.8i ;05  
PDT-Wait: u41.3o, #TP147.1i ;26  
PDT-Wait: u55.1i ;28  
  
PDT-Ybus: v04.40i ;01  
PDT-Ybus: v03.40i ;01  
PDT-Ybus: u73.40i ;01  
PDT-Ybus: u74.40i ;01  
PDT-Ybus: u41.18o, #TP143.1i ;26  
  
pEK0': u39.13o, #TP085.1i ;15  
pEK0': u38.8i ;15  
  
pEK1': u39.14o, #TP086.1i ;15  
pEK1': u38.13i ;15  
  
pEKT': u39.11o, #TP083.1i ;15  
pEKT': u38.3i ;15  
  
pEKT: u39.12o, #TP084.1i ;15  
pEKT: u38.7i ;15  
  
pEnableSU: v39.4i ;08  
pEnableSU: #TP113.1i, u91.7o ;19  
pEnableSU: v11.2i ;23  
pEnableSU: u96.2i ;25  
  
pEP: #TP111.1i, v21.7o ;19  
pEP: v26.10i ;23  
pEP: v25.2i ;25  
  
pfS.0: v39.17i ;08  
pfS.0: #TP115.1i, u61.7o ;19  
pfS.0: u66.10i ;23  
pfS.0: u65.2i ;25  
  
pfS.1: v39.18i ;08  
  
pfS.1: #TP116.1i, u44.7o ;19  
pfS.1: u49.10i ;23  
pfS.1: u48.2i ;25  
  
pfS.2: v37.1i ;03  
pfS.2: v15.1i ;03  
pfS.2: v38.12i ;08  
pfS.2: #TP117.1i, u29.7o ;19  
pfS.2: u49.2i ;23  
pfS.2: u33.2i ;25  
  
pfS.3: v38.13i ;08  
pfS.3: #TP118.1i, u14.7o ;19  
pfS.3: u19.2i ;23  
pfS.3: u18.2i ;25  
  
pfX.0: v13.3i ;08  
pfX.0: #TP127.1i, v23.7o ;21  
pfX.0: v26.13i ;23  
pfX.0: v25.15i ;25  
  
pfX.1: v13.4i ;08  
pfX.1: #TP128.1i, v09.7o ;21  
pfX.1: v11.13i ;23  
pfX.1: v12.15i ;25  
  
pfX.2: v13.7i ;08  
pfX.2: #TP129.1i, u93.7o ;21  
pfX.2: u82.9i ;23  
pfX.2: u96.15i ;25  
  
pfX.3: v13.8i ;08  
pfX.3: #TP130.1i, u79.7o ;21  
pfX.3: u82.13i ;23  
pfX.3: u81.15i ;25  
  
pfY.0: v38.5i ;08  
pfY.0: #TP119.1i, v22.7o ;20  
pfY.0: v26.11i ;23  
pfY.0: v25.1i ;25  
  
pfY.1: v39.8i ;08  
pfY.1: #TP120.1i, v08.7o ;20  
pfY.1: v11.11i ;23  
pfY.1: v12.1i ;25  
  
pfY.2: v39.13i ;08  
pfY.2: #TP121.1i, u92.7o ;20  
pfY.2: v11.1i ;23  
pfY.2: u96.1i ;25  
  
pfY.3: v39.14i ;08  
pfY.3: #TP122.1i, u78.7o ;20  
pfY.3: u82.1i ;23  
pfY.3: u81.1i ;25  
  
pfZ.0: v14.3i ;03  
pfZ.0: v13.13i ;08  
pfZ.0: #TP135.1i, v24.7o ;22

XEROX	PROPRIETARY NOTE ON COVER SHEET APPLIES TO ALL SHEETS		DWG SIZE A4	DWG NO. 156P11442	SHEET REV. B
	TITLE SCHEMATIC, CP		SHEET 49	OF	

pfZ.0: v26.12i ;23  
 pfZ.0: v25.14i ;25  
  
 pfZ.1: v14.6i ;03  
 pfZ.1: v13.14i ;08  
 pfZ.1: #TP136.1i, v10.7o ;22  
 pfZ.1: v11.12i ;23  
 pfZ.1: v12.14i ;25  
  
 pfZ.2: v14.10i ;03  
 pfZ.2: v13.17i ;08  
 pfZ.2: #TP137.1i, u94.7o ;22  
 pfZ.2: u82.10i ;23  
 pfZ.2: u96.14i ;25  
  
 pfZ.3: v14.13i ;03  
 pfZ.3: v13.18i ;08  
 pfZ.3: #TP138.1i, u80.7o ;22  
 pfZ.3: u82.12i ;23  
 pfZ.3: u81.14i ;25  
  
 pIBPtr.0: u54.11o, #TP020.1i ;05  
 pIBPtr.0: u55.3i ;05  
  
 pIBPtr.1: u54.12o, #TP021.1i ;05  
 pIBPtr.1: u55.4i ;05  
  
 pKR': #TP091.1i, u53.9o, u51.7i ;15  
  
 pLink.0': #TP057.1i, u35.11o ;13  
 pLink.0': u36.2i  
  
 pLink.1': #TP058.1i, u35.9o ;13  
 pLink.1': u36.5i  
  
 pLink.2': #TP059.1i, u35.7o ;13  
 pLink.2': u36.10i  
  
 pLink.3': #TP060.1i, u35.5o ;13  
 pLink.3': u36.13i  
  
 pMAR←': u98.1i, v53.8o, u51.3i ;08  
 pMAR←': u85.2i ;08  
  
 pME: u85.6o, u55.18i ;15  
  
 pmem: v39.7i ;08  
 pmem: v53.10i ;08  
 pmem: #TP114.1i, u77.7o ;19  
 pmem: u82.2i ;23  
 pmem: u81.2i ;25  
  
 pMI: #TP077.1i, u56.13o, u55.8i ;15  
  
 pNIA.0': u21.4o, #TP029.1i ;12  
 pNIA.0': u06.8i ;13  
 pNIA.0': u04.3i ;27  
  
 pNIA.1': u21.7o, #TP030.1i ;12

pNIA.1': u06.13i ;13  
 pNIA.1': u04.6i ;27  
  
 pNIA.10': #TP042.1i, u25.8o ;12  
 pNIA.10': u10.7i ;13  
 pNIA.10': u09.11i ;27  
  
 pNIA.11': #TP044.1i, u23.8o ;12  
 pNIA.11': u10.8i ;13  
 pNIA.11': u09.14i ;27  
  
 pNIA.2': u21.9o, #TP031.1i ;12  
 pNIA.2': u06.14i ;13  
 pNIA.2': u04.11i ;27  
  
 pNIA.3': u21.12o, #TP032.1i ;12  
 pNIA.3': u06.17i ;13  
 pNIA.3': u04.14i ;27  
  
 pNIA.4': u34.4o, #TP033.1i ;12  
 pNIA.4': u06.18i ;13  
 pNIA.4': u20.3i ;27  
  
 pNIA.5': u34.7o, #TP034.1i ;12  
 pNIA.5': u06.3i ;13  
 pNIA.5': u20.6i ;27  
  
 pNIA.6': u34.9o, #TP035.1i ;12  
 pNIA.6': u06.4i ;13  
 pNIA.6': u20.11i ;27  
  
 pNIA.7': u34.12o, #TP036.1i ;12  
 pNIA.7': u06.7i ;13  
 pNIA.7': u20.14i ;27  
  
 pNIA.8': #TP038.1i, u24.8o ;12  
 pNIA.8': u10.3i ;13  
 pNIA.8': u09.3i ;27  
  
 pNIA.9': #TP040.1i, u22.8o ;12  
 pNIA.9': u10.4i ;13  
 pNIA.9': u09.6i ;27  
  
 POData←': v62.7o, E28 ;09  
  
 Pop: u99.6i, u99.2i, u99.15i ;04  
 Pop: u99.11i  
 Pop: u87.8o ;10  
  
 PopX': u68.9o ;09  
 PopX': u87.9i ;10  
 PopX': u71.3i ;15  
  
 PopZ': u83.10o, #TP181.1i ;09  
 PopZ': u87.10i ;10  
 PopZ': u71.5i ;15  
  
 pPC16': #TP092.1i, u53.11o ;15  
 pPC16': u55.17i

XEROX	PROPRIETARY NOTE ON COVER SHEET APPLIES TO ALL SHEETS		DWG SIZE A4	DWG NO. 156P11442	SHEET REV.
	TITLE SCHEMATIC, CP		SHEET 50	OF OF	B

ppCLK: v63.3i, E9, v63.5i ;16  
ppCLK: v63.12i ;16

prA.0: v37.4i ;03  
prA.0: u97.3i ;08  
prA.0: #TP095.1i, v19.7o ;17  
prA.0: v26.4i ;23  
prA.0: v25.4i ;25

prA.1: v37.5i ;03  
prA.1: u97.4i ;08  
prA.1: #TP096.1i, v05.7o ;17  
prA.1: v26.2i ;23  
prA.1: v12.4i ;25

prA.2: v37.12i ;03  
prA.2: u97.7i ;08  
prA.2: #TP097.1i, u89.7o ;17  
prA.2: v11.4i ;23  
prA.2: u96.4i ;25

prA.3: v37.13i ;03  
prA.3: u97.8i ;08  
prA.3: #TP098.1i, u75.7o ;17  
prA.3: u82.11i ;23  
prA.3: u81.4i ;25

prB.0: u50.3i ;08  
prB.0: #TP099.1i, u59.7o ;17  
prB.0: u66.4i ;23  
prB.0: u65.4i ;25

prB.1: u50.4i ;08  
prB.1: #TP100.1i, u42.7o ;17  
prB.1: u66.2i ;23  
prB.1: u48.4i ;25

prB.2: u50.7i ;08  
prB.2: #TP101.1i, u27.7o ;17  
prB.2: u49.4i ;23  
prB.2: u33.4i ;25

prB.3: u50.8i ;08  
prB.3: #TP102.1i, u12.7o ;17  
prB.3: u19.11i ;23  
prB.3: u18.4i ;25

pRet': u40.3o, u36.12i, u36.9i ;13  
pRet': u36.4i, u36.1i

pSE: #TP087.1i, u71.11o, u55.13i ;15

Pt.0: v36.12o, E64 ;14  
Pt.0: v56.17i ;14

Pt.1: v36.15o, E164 ;14  
Pt.1: v56.15i ;14

Pt.2: v36.16o, E65 ;14  
Pt.2: v56.13i ;14

Pt=Emu: v36.19o, #TP069.1i ;14  
Pt=Emu: v56.11i ;14  
Pt=Emu: u85.5i ;15

pTC.0: u24.1i, u52.3o, #TP037.1i ;12  
pTC.0: u10.13i ;13

pTC.1: u22.1i, u52.6o, #TP039.1i ;12  
pTC.1: u10.14i ;13

pTC.2: u25.1i, u37.8o, #TP041.1i ;12  
pTC.2: u10.17i ;13

pTC.3: u23.1i, u37.12o, #TP043.1i ;12  
pTC.3: u10.18i ;13

pU.4: v14.4o ;03  
pU.4: v15.4i ;03

pU.5: v14.7o ;03  
pU.5: v15.5i ;03

pU.6: v14.9o ;03  
pU.6: v15.12i ;03

pU.7: v14.12o ;03  
pU.7: v15.13i ;03

PU: u98.14i, u98.11i, u98.6i ;08  
PU: u98.3i  
PU: u70.4i ;10  
PU: u21.6i ;12  
PU: #R17.2i ;27

PUB: v38.1i ;08  
PUB: #R21.2i ;27

Push: u99.7i ;04  
Push: u84.12o ;10  
Push: u71.2i ;15

PushX': u68.7o ;09  
PushX': u84.13i ;10

PushY': v61.12o ;09  
PushY': u84.1i ;10

PushZ': u83.9o ;09  
PushZ': u84.2i ;10

pVAE: #TP088.1i, u71.13o, u55.14i ;15

pWaitCLK': v63.1o ;16  
pWaitCLK': v01.2i, v01.5i, v01.13i ;16  
pWaitCLK': v01.10i, u86.2i  
pWaitCLK': v17.13i

XEROX	PROPRIETARY NOTE ON COVER SHEET APPLIES TO ALL SHEETS		DWG SIZE A4	DWG NO. 156P11442	SHEET REV.
	TITLE SCHEMATIC, CP			SHEET 51 OF	B

Q.0:	v04.16i ;01	rB.0:	u74.20i ;01
Q.0:	u57.3o, #TP005.1i ;02	rB.0:	v03.20i ;01
Q.0:	u58.10i, u58.11i ;02	rB.0:	v32.13i ;04
Q.0:	#R16.2i ;27	rB.0:	v31.13i ;04
		rB.0:	u50.2o ;08
Q.11:	u73.21o, u74.16i ;01	rB.1:	v04.19i ;01
Q.15:	u74.21o ;01	rB.1:	u73.19i ;01
Q.15:	u57.6o, #TP006.1i ;02	rB.1:	u74.19i ;01
Q.15:	#R15.2i ;27	rB.1:	v03.19i ;01
		rB.1:	v32.14i ;04
Q.3:	v04.21o, v03.16i ;01	rB.1:	v31.14i ;04
		rB.1:	u50.5o ;08
Q.7:	v03.21o ;01	rB.2:	v04.18i ;01
Q.7:	u73.16i ;01	rB.2:	u73.18i ;01
		rB.2:	u74.18i ;01
R.0:	v04.8i ;01	rB.2:	v03.18i ;01
R.0:	u58.7o, #TP003.1i ;02	rB.2:	v32.15i ;04
R.0:	u58.13i ;02	rB.2:	v31.15i ;04
		rB.2:	u50.6o ;08
R.11:	u73.9o, u74.8i ;01	rB.3:	v04.17i ;01
R.15:	u74.9o ;01	rB.3:	u73.17i ;01
R.15:	u58.9o, #TP004.1i ;02	rB.3:	u74.17i ;01
R.15:	u58.3i ;02	rB.3:	v03.17i ;01
R.15:	u57.2i ;02	rB.3:	v32.1i ;04
		rB.3:	v31.1i ;04
R.3:	v04.9o, v03.8i ;01	rB.3:	u50.9o ;08
R.7:	v03.9o ;01	ReadCS.0:	v51.7o ;24
R.7:	u73.8i ;01	ReadCS.0:	v25.9i ;25
		ReadCS.0:	v12.9i ;25
rA.0:	v04.1i ;01	ReadCS.0:	u81.9i ;25
rA.0:	v03.1i ;01	ReadCS.0:	u96.9i ;25
rA.0:	u74.1i ;01	ReadCS.0:	u65.9i ;25
rA.0:	u73.1i ;01	ReadCS.0:	u48.9i ;25
rA.0:	u97.2o ;08	ReadCS.0:	u18.9i ;25
		ReadCS.0:	u33.9i ;25
rA.1:	v04.2i ;01	ReadCS.1:	v51.9o ;24
rA.1:	v03.2i ;01	ReadCS.1:	v25.10i ;25
rA.1:	u74.2i ;01	ReadCS.1:	v12.10i ;25
rA.1:	u73.2i ;01	ReadCS.1:	u81.10i ;25
rA.1:	u97.5o ;08	ReadCS.1:	u96.10i ;25
		ReadCS.1:	u65.10i ;25
rA.2:	v04.3i ;01	ReadCS.1:	u48.10i ;25
rA.2:	v03.3i ;01	ReadCS.1:	u18.10i ;25
rA.2:	u74.3i ;01	ReadCS.1:	u33.10i ;25
rA.2:	u73.3i ;01	ReadCS.2:	u07.9o ;24
rA.2:	u97.6o ;08	ReadCS.2:	v25.11i ;25
		ReadCS.2:	v12.11i ;25
rA.3:	v04.4i ;01	ReadCS.2:	u81.11i ;25
rA.3:	v03.4i ;01	ReadCS.2:	u96.11i ;25
rA.3:	u74.4i ;01	ReadCS.2:	u65.11i ;25
rA.3:	u73.4i ;01	ReadCS.2:	u48.11i ;25
rA.3:	u97.9o ;08	ReadCS.2:	u18.11i ;25
		ReadCS.2:	u33.11i ;25
rB.0:	v04.20i ;01		
rB.0:	u73.20i ;01		

XEROX	PROPRIETARY NOTE ON COVER SHEET APPLIES TO ALL SHEETS		DWG SIZE A4	DWG NO. 156P11442	SHEET REV. B
	TITLE SCHEMATIC, CP		SHEET 52	OF	

ReadCSEn': v25.7i ;25	stackP.2: u99.3i ;04
ReadCSEn': v12.7i ;25	stackP.2: u71.17i ;15
ReadCSEn': u81.7i ;25	stackP.3: v00.15o, v45.8i ;04
ReadCSEn': u96.7i ;25	stackP.3: u99.5i ;04
ReadCSEn': u65.7i ;25	stackP.3: u71.1i ;15
ReadCSEn': u48.7i ;25	stackP←': v00.1i ;04
ReadCSEn': E188, u18.7i ;25	stackP←': v02.10o ;09
ReadCSEn': u33.7i ;25	
RefillIntc2: v64.13o, #TP018.1i ;05	SUAddr.0: v34.7i ;03
RefillIntc2: u21.1i ;12	SUAddr.0: v48.7i ;03
RefReq': E88, v50.6i ;14	SUAddr.0: v33.7i ;03
RefReq': #R20.2i ;27	SUAddr.0: v47.7i ;03
Refresh': u70.6o, E16 ;10	SUAddr.0: v37.2o, #TP164.1i ;03
Refresh: u70.11o, u70.5i ;10	SUAddr.1: v34.6i ;03
RefreshY': v61.13o ;09	SUAddr.1: v48.6i ;03
RefreshY': u70.13i ;10	SUAddr.1: v33.6i ;03
RefreshZ': u83.15o ;09	SUAddr.1: v47.6i ;03
RefreshZ': u70.12i ;10	SUAddr.1: v37.7o, #TP165.1i ;03
RH←': u68.14o ;09	SUAddr.2: v34.5i ;03
RH←': u69.3i ;16	SUAddr.2: v48.5i ;03
	SUAddr.2: v33.5i ;03
	SUAddr.2: v47.5i ;03
	SUAddr.2: v37.10o, #TP166.1i ;03
RH←: u69.4o, v01.12i ;16	SUAddr.3: v34.21i ;03
SelectIB0': v16.1i ;05	SUAddr.3: v48.21i ;03
SelectIB0': v64.14o, #TP019.1i ;05	SUAddr.3: v33.21i ;03
	SUAddr.3: v47.21i ;03
	SUAddr.3: v37.15o, #TP167.1i ;03
SelectIB1': v44.1i ;05	SUAddr.4: v34.1i ;03
SelectIB1': u54.14o, #TP022.1i ;05	SUAddr.4: v48.1i ;03
sh: v04.6i ;01	SUAddr.4: v33.1i ;03
sh: v03.6i ;01	SUAddr.4: v47.1i ;03
sh: u74.6i ;01	SUAddr.4: v15.2o, #TP168.1i ;03
sh: u73.6i ;01	SUAddr.5: v34.2i ;03
sh: u84.6o ;10	SUAddr.5: v48.2i ;03
Shift': u58.14i ;02	SUAddr.5: v33.2i ;03
Shift': u68.13o ;09	SUAddr.5: v47.2i ;03
Shift': u84.5i ;10	SUAddr.5: v15.7o, #TP169.1i ;03
StackErr: #TP089.1i, u55.12o ;15	SUAddr.6: v34.3i ;03
StackErr: u39.1i	SUAddr.6: v48.3i ;03
stackP.0: v00.2o, v45.2i ;04	SUAddr.6: v33.3i ;03
stackP.0: u99.12i ;04	SUAddr.6: v47.3i ;03
stackP.0: u71.15i ;15	SUAddr.6: v15.10o, #TP170.1i ;03
stackP.1: v00.7o, v45.4i ;04	SUAddr.7: v34.4i ;03
stackP.1: u99.14i ;04	SUAddr.7: v48.4i ;03
stackP.1: u71.16i ;15	SUAddr.7: v33.4i ;03
	SUAddr.7: v47.4i ;03
	SUAddr.7: v15.15o, #TP171.1i ;03
stackP.2: v00.10o, v45.6i ;04	Swc2': #TP075.1i, u67.11o, u38.17i ;14

XEROX	PROPRIETARY NOTE ON COVER SHEET APPLIES TO ALL SHEETS		DWG SIZE A4	DWG NO. 156P11442	SHEET REV. B
	TITLE SCHEMATIC, CP			SHEET 53 OF	

Swc2: #TP074.1i, u67.9o, u38.14i ;14  
Swc2: u04.1i ;27  
Swc2: u20.1i ;27  
Swc2: u09.1i ;27

Swc3': u24.13i, u24.12i ;12  
Swc3': u22.13i, u22.12i ;12  
Swc3': u23.13i, u23.12i ;12  
Swc3': u25.13i, u25.12i ;12  
Swc3': u38.16o ;14

Swc3: u24.9i ;12  
Swc3: u22.9i ;12  
Swc3: u23.9i ;12  
Swc3: u25.9i ;12  
Swc3: u38.15o ;14

SwTAddr': E196, u02.1i ;24  
SwTAddr': u07.1i, u07.19i ;24

SwTAddr: u06.1i ;13  
SwTAddr: u10.1i ;13  
SwTAddr: v50.10i ;14  
SwTAddr: v63.9i ;14  
SwTAddr: E96 ;24

TC.0: u24.10i ;12  
TC.0: u26.12o ;13  
TC.0: v25.13i ;25

TC.1: u22.10i ;12  
TC.1: u26.15o ;13  
TC.1: v12.13i ;25

TC.2: u25.10i ;12  
TC.2: u26.16o ;13  
TC.2: u96.13i ;25

TC.3: u23.10i ;12  
TC.3: u26.19o ;13  
TC.3: u81.13i ;25

TCWaitc1': u51.15o ;16  
TCWaitc1': u85.12i ;16

TCX.0: #TP195.1i, u10.12o, u11.12i ;13

TCX.1: #TP196.1i, u10.15o, u11.10i ;13

TCX.2: #TP197.1i, u10.16o, u11.6i ;13

TCX.3: #TP198.1i, u10.19o, u11.4i ;13

TCY.0: u11.11o, #TP061.1i, u26.13i ;13

TCY.1: u11.9o, #TP062.1i, u26.14i ;13

TCY.2: u11.7o, #TP063.1i, u26.17i ;13

TCY.3: #TP064.1i, u11.5o, u26.18i ;13

Tester: u41.19i, u41.1i, #TP151.1i ;26  
Tester: #R13.1i ;27

TPC.0': u03.11o, #TP045.1i ;13  
TPC.0': u65.13i ;25  
TPC.0': u04.4i ;27

TPC.1': u03.9o, #TP046.1i ;13  
TPC.1': u48.13i ;25  
TPC.1': u04.5i ;27

TPC.10': u08.7o, #TP055.1i ;13  
TPC.10': u33.12i ;25  
TPC.10': u09.12i ;27

TPC.11': u08.5o, #TP056.1i ;13  
TPC.11': u18.12i ;25  
TPC.11': u09.13i ;27

TPC.2': u03.7o, #TP047.1i ;13  
TPC.2': u33.13i ;25  
TPC.2': u04.12i ;27

TPC.3': u03.5o, #TP048.1i ;13  
TPC.3': u18.13i ;25  
TPC.3': u04.13i ;27

TPC.4': u05.11o, #TP049.1i ;13  
TPC.4': v25.12i ;25  
TPC.4': u20.4i ;27

TPC.5': u05.9o, #TP050.1i ;13  
TPC.5': v12.12i ;25  
TPC.5': u20.5i ;27

TPC.6': u05.7o, #TP051.1i ;13  
TPC.6': u96.12i ;25  
TPC.6': u20.12i ;27

TPC.7': u05.5o, #TP052.1i ;13  
TPC.7': u81.12i ;25  
TPC.7': u20.13i ;27

TPC.8': u08.11o, #TP053.1i ;13  
TPC.8': u65.12i ;25  
TPC.8': u09.4i ;27

TPC.9': u08.9o, #TP054.1i ;13  
TPC.9': u48.12i ;25  
TPC.9': u09.5i ;27

VCC: u73.10i, v03.10i, v04.10i ;01  
VCC: u74.10i  
VCC: #R22.1i, #R17.1i, #R19.1i ;27  
VCC: #R20.1i, #R21.1i, #R15.1i  
VCC: #R16.1i, #R18.1i, #R14.1i

XEROX	PROPRIETARY NOTE ON COVER SHEET APPLIES TO ALL SHEETS		DWG SIZE A4	DWG NO. 156P11442	SHEET REV. B
	TITLE	SCHEMATIC, CP	SHEET	54 OF	

VCC: #F1.1o, #C67.1o, #C66.1o ;27  
VCC: #C33.1i, #C34.1i, #C35.1i ;29  
VCC: #C36.1i, #C37.1i, #C38.1i  
VCC: #C39.1i, #C40.1i, #C41.1i  
VCC: #C42.1i, #C43.1i, #C44.1i  
VCC: #C45.1i, #C46.1i, #C47.1i  
VCC: #C48.1i, #C17.1i, #C18.1i  
VCC: #C19.1i, #C20.1i, #C21.1i  
VCC: #C22.1i, #C23.1i, #C24.1i  
VCC: #C25.1i, #C26.1i, #C27.1i  
VCC: #C28.1i, #C29.1i, #C30.1i  
VCC: #C31.1i, #C32.1i, #C1.1i  
VCC: #C2.1i, #C3.1i, #C4.1i  
VCC: #C5.1i, #C6.1i, #C7.1i  
VCC: #C8.1i, #C9.1i, #C10.1i  
VCC: #C11.1i, #C12.1i, #C13.1i  
VCC: #C14.1i, #C15.1i, #C16.1i  
VCC: #C49.1i, #C50.1i, #C51.1i  
VCC: #C52.1i, #C53.1i, #C54.1i  
VCC: #C55.1i, #C56.1i, #C57.1i  
VCC: #C58.1i, #C59.1i, #C60.1i  
VCC: #C61.1i, #C62.1i, #C63.1i  
VCC: #C64.1i, #C65.1i

VirtAddrErr: #TP090.1i, u55.15o ;15  
VirtAddrErr: u39.2i

Wait: v29.8i ;05  
Wait: u67.5i ;14  
Wait: u37.6o, E17 ;16  
Wait: v63.2i ;16  
Wait: u40.4i ;16

Waitc1': u51.8i, u86.8o, u37.3i ;16

Waitc2': u51.13i, u51.9o, u37.4i ;16

Waitc3': u51.14i, u51.12o, u37.5i ;16

WaitClk: v04.15i, v03.15i ;01  
WaitClk: u73.15i, u74.15i ;01  
WaitClk: v00.9i ;04  
WaitClk: v17.12o ;16  
WaitClk: u55.11i ;28

WrIBFront: v43.11i ;05  
WrIBFront: v01.8o ;16

WrIBQ: u40.6o, v63.11i ;16

WriteIB: v16.11i ;05  
WriteIB: v44.11i ;05  
WriteIB: v63.13o ;16

WriteLink': u35.3i ;13  
WriteLink': v01.6o ;16

WriteRH': v32.3i ;04  
WriteRH': v31.3i ;04

WriteRH': v01.11o ;16  
WriteSU': v34.20i ;03  
WriteSU': v48.20i ;03  
WriteSU': v33.20i ;03  
WriteSU': v47.20i ;03  
WriteSU': v01.3o ;16

WriteTC': u11.3i ;13  
WriteTC': u87.3o ;16

WriteTPC': u05.3i ;13  
WriteTPC': u03.3i ;13  
WriteTPC': u08.3i ;13  
WriteTPC': u86.6o ;16

WrTCQ: u85.11o, u87.1i ;16

WrTPCHigh': E91, u02.11i ;24

WrTPCLow: u86.4i, E191, u86.5i ;16

X.0: E41, v04.22i ;01  
X.0: v34.16o ;03  
X.0: v16.8i ;05  
X.0: v60.15o ;06  
X.0: v18.9o ;06  
X.0: v35.14i ;11

X.10: E46, u73.24i ;01  
X.10: v33.12o ;03  
X.10: v18.14o ;04  
X.10: v32.6i ;04  
X.10: v44.7i ;05  
X.10: v58.12o ;06  
X.10: v28.9o ;07  
X.10: v27.9o ;07  
X.10: v45.7o ;07  
X.10: v35.15i ;11

X.11: E146, u73.25i ;01  
X.11: v33.10o ;03  
X.11: v18.12o ;04  
X.11: v32.4i ;04  
X.11: v44.8i ;05  
X.11: v57.12o ;06  
X.11: v28.12o ;07  
X.11: v27.12o ;07  
X.11: v45.9o ;07  
X.11: u88.13i ;11

X.12: E47, u74.22i ;01  
X.12: v47.16o ;03  
X.12: v46.18o ;04  
X.12: v31.12i ;04  
X.12: v45.18o ;04  
X.12: v44.18i ;05  
X.12: v60.11o ;06  
X.12: v42.4o ;07

XEROX	PROPRIETARY NOTE ON COVER SHEET APPLIES TO ALL SHEETS		DWG SIZE A4	DWG NO. 156P11442	SHEET REV. B
	TITLE SCHEMATIC, CP		SHEET 55	OF	

X.12:	v56.18o ;07	X.4:	v46.9o ;06
X.12:	v41.2i ;11	X.4:	v30.14i ;11
X.13:	E147, u74.23i ;01	X.5:	E143, v03.23i ;01
X.13:	v47.14o ;03	X.5:	v48.14o ;03
X.13:	v46.16o ;04	X.5:	v16.14i ;05
X.13:	v31.10i ;04	X.5:	v59.14o ;06
X.13:	v45.16o ;04	X.5:	v46.7o ;06
X.13:	v44.17i ;05	X.6:	E44, v03.24i ;01
X.13:	v59.11o ;06	X.6:	v48.12o ;03
X.13:	v42.12o ;07	X.6:	v16.17i ;05
X.13:	v56.16o ;07	X.6:	v58.14o ;06
X.13:	v41.5i ;11	X.6:	v46.5o ;06
X.14:	E48, u74.24i ;01	X.7:	E144, v03.25i ;01
X.14:	v47.12o ;03	X.7:	v48.10o ;03
X.14:	v46.14o ;04	X.7:	v16.18i ;05
X.14:	v31.6i ;04	X.7:	v57.14o ;06
X.14:	v45.14o ;04	X.7:	v46.3o ;06
X.14:	v44.14i ;05	X.8:	E45, u73.22i ;01
X.14:	v58.11o ;06	X.8:	v33.16o ;03
X.14:	v42.7o ;07	X.8:	v18.18o ;04
X.14:	v56.14o ;07	X.8:	v32.12i ;04
X.14:	v30.4i ;11	X.8:	v44.3i ;05
X.15:	E148, u74.25i ;01	X.8:	v60.12o ;06
X.15:	v47.10o ;03	X.8:	v28.4o ;07
X.15:	v46.12o ;04	X.8:	v27.4o ;07
X.15:	v31.4i ;04	X.8:	v45.3o ;07
X.15:	v45.12o ;04	X.8:	v30.13i ;11
X.15:	v44.13i ;05	X.9:	E145, u73.23i ;01
X.15:	v57.11o ;06	X.9:	v33.14o ;03
X.15:	v42.9o ;07	X.9:	v18.16o ;04
X.15:	v56.12o ;07	X.9:	v32.10i ;04
X.15:	v35.4i ;11	X.9:	v44.4i ;05
X.15:	v35.13i ;11	X.9:	v59.12o ;06
X.1:	E141, v04.23i ;01	X.9:	v28.7o ;07
X.1:	v34.14o ;03	X.9:	v27.7o ;07
X.1:	v16.7i ;05	X.9:	v45.5o ;07
X.1:	v59.15o ;06	X.9:	v30.15i ;11
X.1:	v18.7o ;06	XBus←IB':	v29.11i ;05
X.2:	E42, v04.24i ;01	XBus←IB':	v28.15i ;07
X.2:	v34.12o ;03	XBus←IB':	v42.15i ;07
X.2:	v16.4i ;05	XBus←IB':	v52.6o ;10
X.2:	v58.15o ;06	XByte':	u84.8o, v53.12i ;10
X.2:	v18.5o ;06	Xhigh←0:	v18.19i, v46.19i ;06
X.3:	E142, v04.25i ;01	Xhigh←0:	v53.11o ;10
X.3:	v34.10o ;03	Y.0:	v04.39o, E49 ;01
X.3:	v16.3i ;05	Y.0:	v34.15i ;03
X.3:	v57.15o ;06	Y.0:	v60.4i ;06
X.3:	v18.3o ;06	Y.10:	u73.37o, E56 ;01
X.4:	E43, v03.22i ;01	Y.10:	v33.11i ;03
X.4:	v48.16o ;03		
X.4:	v16.13i ;05		
X.4:	v60.14o ;06		

XEROX	PROPRIETARY NOTE ON COVER SHEET APPLIES TO ALL SHEETS		DWG SIZE A4	DWG NO. 156P11442	SHEET REV.
	TITLE SCHEMATIC, CP			SHEET 56 OF	B

Y.10:	v58.2i	;06	Y.5:	v59.5i	;06
Y.10:	v58.6i	;06	Y.5:	v59.1i	;06
Y.11:	u73.36o, E156	;01	Y.6:	v03.37o, E54	;01
Y.11:	v33.9i	;03	Y.6:	v48.11i	;03
Y.11:	v57.2i	;06	Y.6:	v58.5i	;06
Y.11:	v57.6i	;06	Y.6:	v58.1i	;06
Y.12:	u74.39o, E57	;01	Y.7:	v03.36o, E154	;01
Y.12:	v14.2i	;03	Y.7:	v48.9i	;03
Y.12:	v47.15i	;03	Y.7:	v57.5i	;06
Y.12:	v00.3i	;04	Y.7:	v57.1i	;06
Y.12:	v60.3i	;06	Y.8:	u73.39o, E55	;01
Y.12:	v60.7i	;06	Y.8:	v33.15i	;03
Y.12:	v41.3i	;11	Y.8:	v60.2i	;06
Y.13:	u74.38o, E157	;01	Y.8:	v60.6i	;06
Y.13:	v47.13i	;03	Y.9:	u73.38o, E155	;01
Y.13:	v14.5i	;03	Y.9:	v33.13i	;03
Y.13:	v00.6i	;04	Y.9:	v59.2i	;06
Y.13:	v59.3i	;06	Y.9:	v59.6i	;06
Y.13:	v59.7i	;06	YH.0:	E59, v32.11o, v18.2i	;04
Y.13:	v41.6i	;11	YH.0:	u71.4i	;15
Y.14:	u74.37o, E58	;01	YH.1:	E159, v32.9o, v18.4i	;04
Y.14:	v47.11i	;03	YH.1:	u71.7i	;15
Y.14:	v14.11i	;03	YH.2:	E61, v32.7o, v18.6i	;04
Y.14:	v00.11i	;04	YH.3:	E161, v32.5o, v18.8i	;04
Y.14:	v58.3i	;06	YH.4:	E62, v31.11o, v46.2i	;04
Y.14:	v58.7i	;06	YH.4:	v29.12i	;16
Y.14:	v30.3i	;11	YH.5:	E162, v31.9o, v46.4i	;04
Y.15:	u74.36o, E158	;01	YH.5:	v29.3i	;16
Y.15:	v47.9i	;03	YH.6:	E63, v31.7o, v46.6i	;04
Y.15:	v14.14i	;03	YH.6:	v29.2i	;16
Y.15:	v00.14i	;04	YH.7:	E163, v31.5o, v46.8i	;04
Y.15:	v57.3i	;06	YH.7:	v29.13i	;16
Y.15:	v57.7i	;06	YIODisp.0:	E39, v30.1i	;11
Y.15:	v35.3i	;11	YIODisp.0:	#R22.2i	;27
Y.1:	v04.38o, E149	;01	YIODisp.1:	E139, v35.1i	;11
Y.1:	v34.13i	;03	<EIData':	v55.15o, E31	;09
Y.1:	v59.4i	;06	<EIStatus':	v55.14o, E131	;09
Y.2:	v04.37o, E52	;01	<ErrIBStkp':	v45.1i	;04
Y.2:	v34.11i	;03	<ErrIBStkp':	v45.19i	;07
Y.2:	v58.4i	;06	<ErrIBStkp':	v54.13o	;09
Y.3:	v04.36o, E152	;01	<ib':	u54.16i	;05
Y.3:	v34.9i	;03			
Y.3:	v57.4i	;06			
Y.4:	v03.39o, E53	;01			
Y.4:	v48.15i	;03			
Y.4:	v60.1i	;06			
Y.4:	v60.5i	;06			
Y.5:	v03.38o, E153	;01			
Y.5:	v48.13i	;03			

XEROX	PROPRIETARY NOTE ON COVER SHEET APPLIES TO ALL SHEETS		DWG SIZE A4	DWG NO. 156P11442	SHEET REV. B
	TITLE	SCHEMATIC, CP	SHEET	57 OF	

←ib': v64.16i ;05  
 ←ib': v54.10o, #TP182.1i ;09  
  
 ←ibHigh': v42.1i ;07  
 ←ibHigh': v54.7o ;09  
  
 ←IOPIData': v54.15o, E34 ;09  
 ←IOPStatus': v54.14o, E134 ;09  
  
 ←KIData': v55.13o, E32 ;09  
 ←KStatus': v55.12o, E132 ;09  
  
 ←KTest': v55.9o, E33 ;09  
  
 ←MStatus': v55.10o, E114 ;09  
  
 ←RH': v18.1i, v46.1i ;04  
 ←RH': v54.12o ;09

XEROX	PROPRIETARY NOTE ON COVER SHEET APPLIES TO ALL SHEETS		DWG NO. 156P11442	SHEET REV. B
	TITLE	SCHEMATIC, CP	SHEET 58 OF	