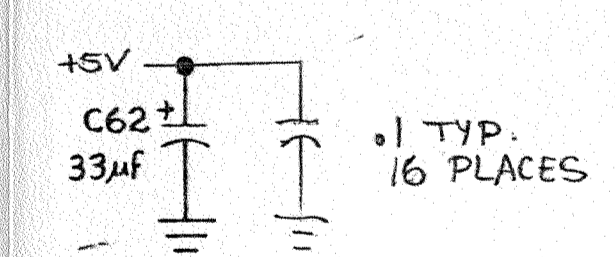
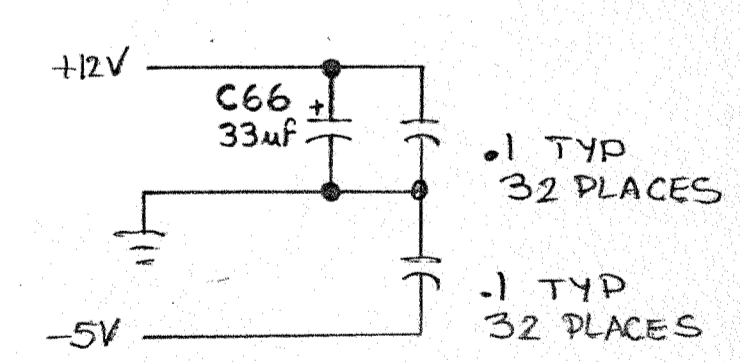
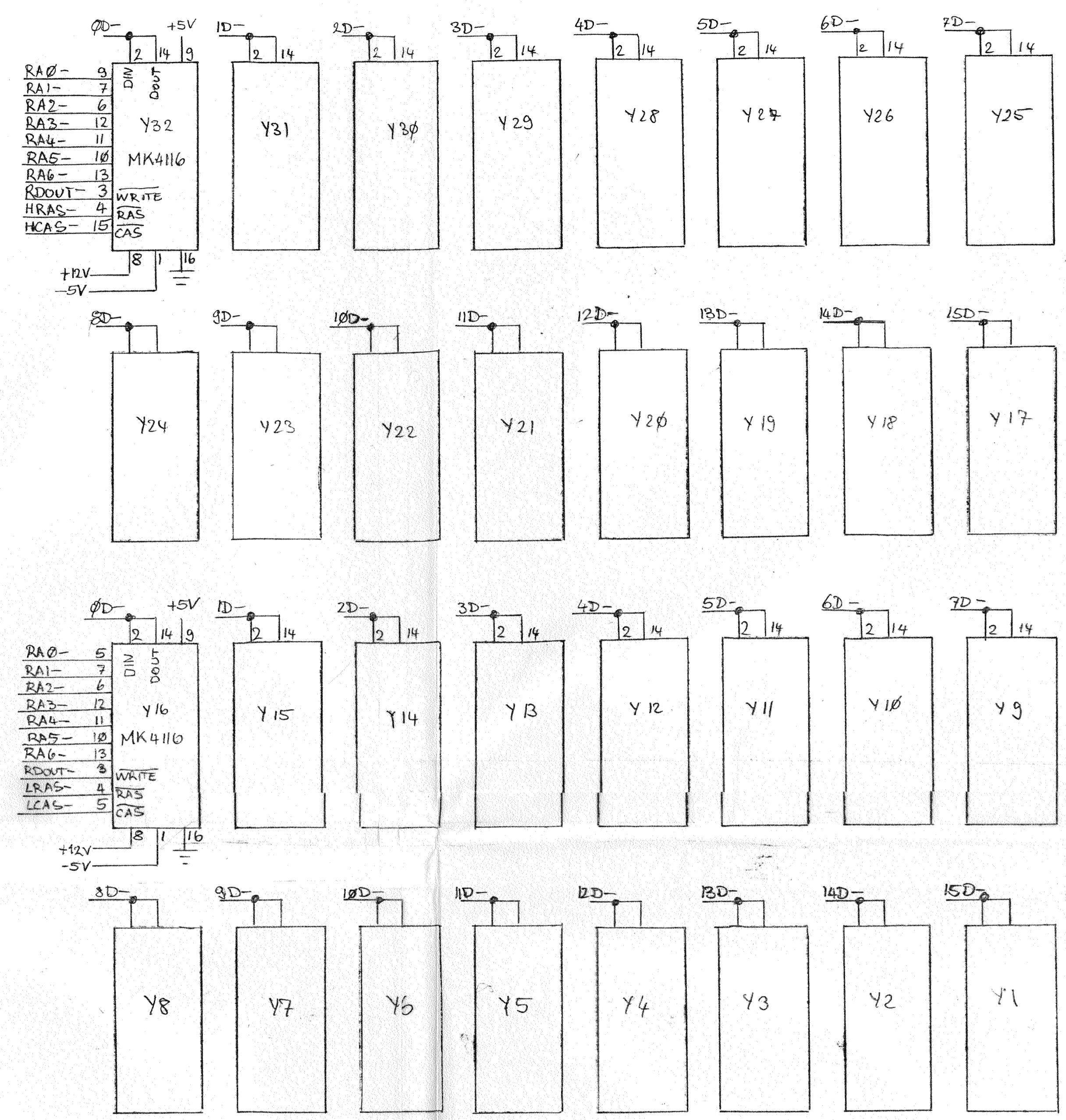
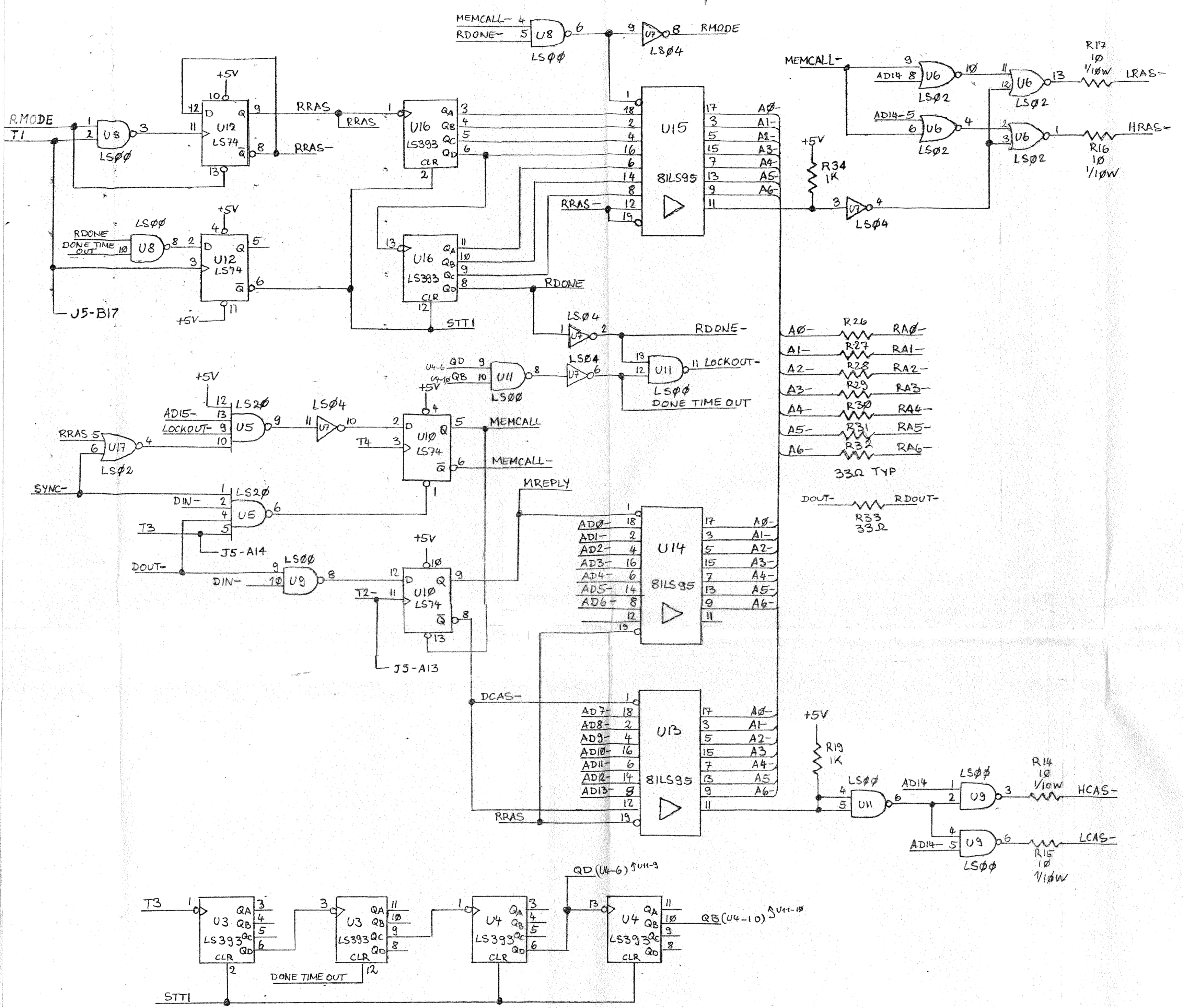
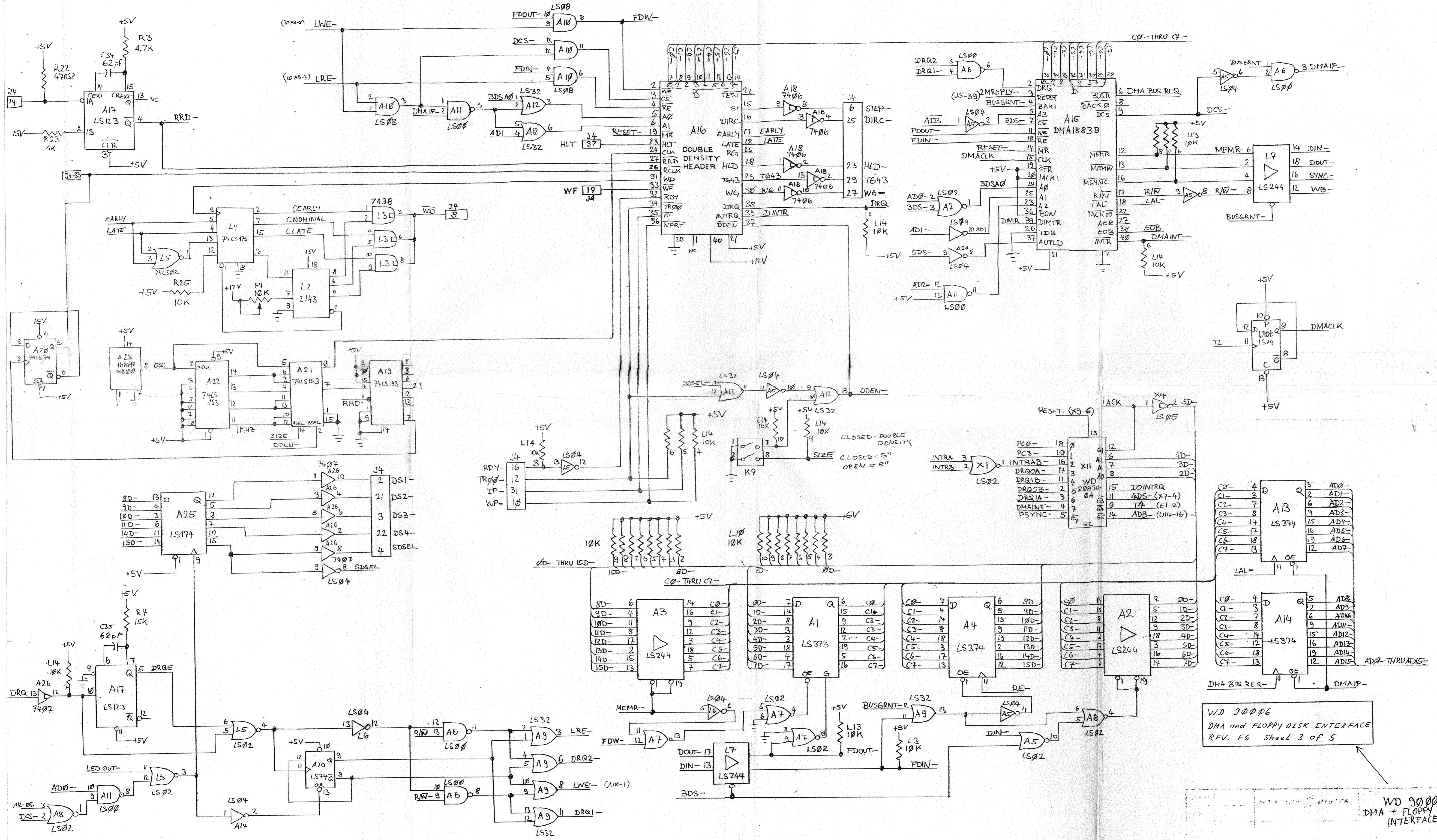


WD 9006  
CPU and Clock  
REV F6, Sheet 1 of 5

WD 9006  
CPU + CLOCK

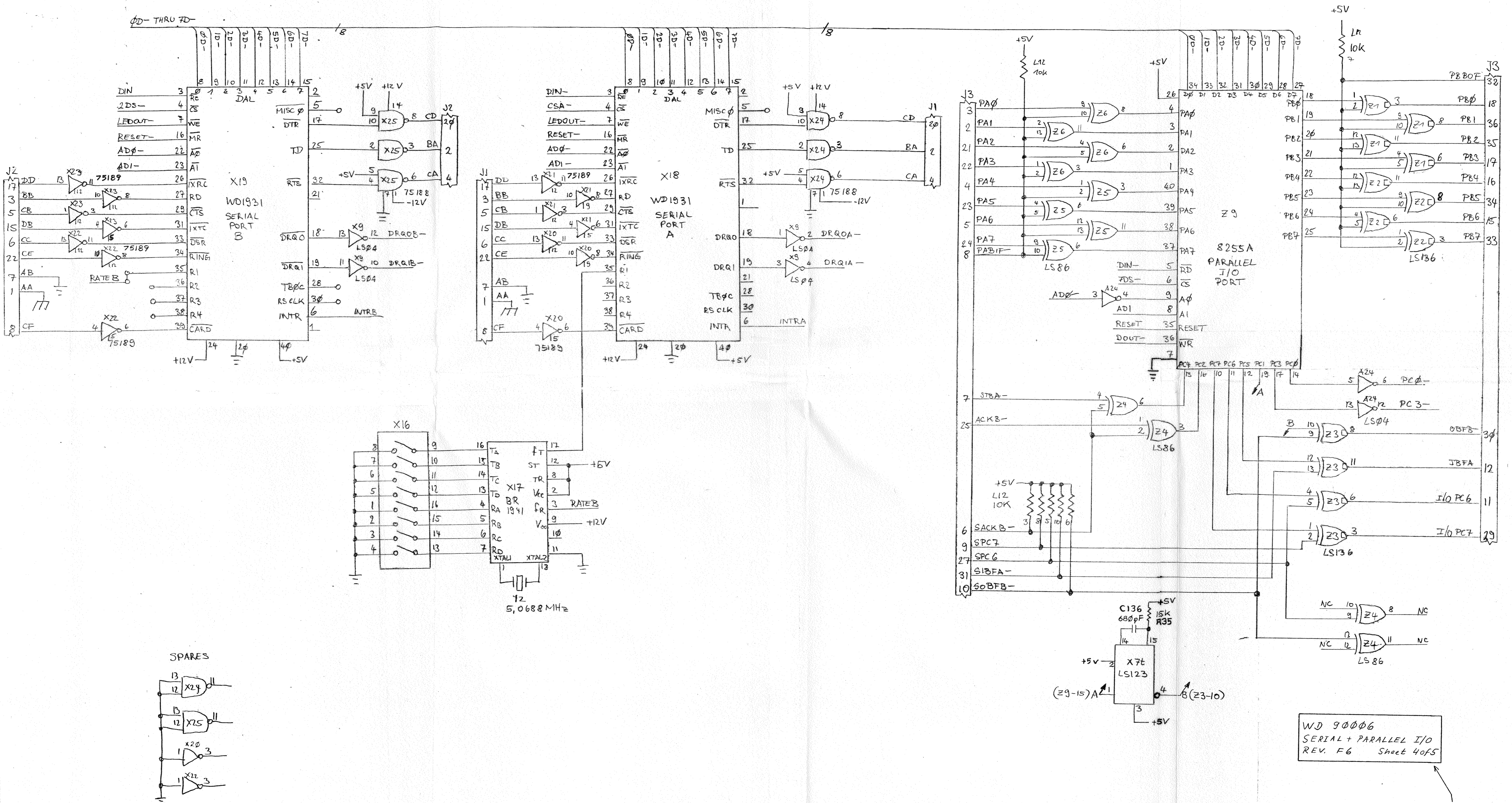


WD 90006  
32K X 16 MEMORY  
REV F6 Sheet 2 of 5



WD 90006  
DMA and FLOPPY DISK INTERFACE  
REV. F6 Sheet 3 of 5

WD 90006  
DMA + FLOPPY  
INTERFACE



SPARES

WD 90006  
 SERIAL + PARALLEL I/O  
 REV. F6 Sheet 4 of 5