

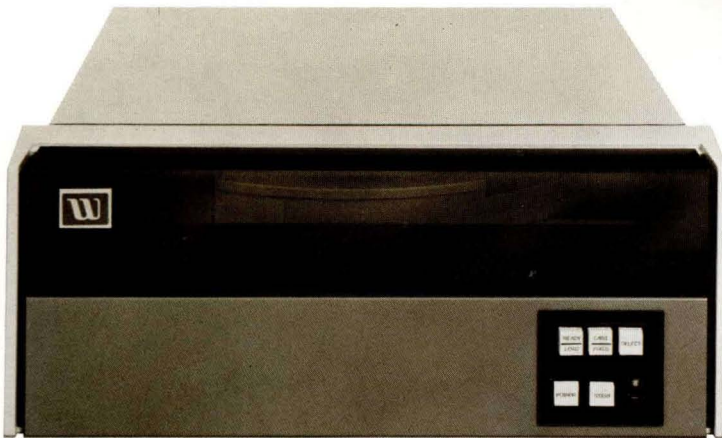


W WANGCO
INCORPORATED

SERIES-F AND SERIES-T MAGNETIC DISC DRIVES



Series-T Top Loader



Series-F Front Loader

SERIES-F / SERIES-T

The new WANGCO Series-F and Series-T Magnetic Disc Drives offer a total solution for the small- and medium-size computer systems. They are fast, reliable, low cost, and are much smaller than any other units of similar capacity. They truly represent new dimensions . . . both in space and in time.

The small size and low cost of these new disc drives make them ideally suited for systems requiring the additional storage capacity of multiple discs, but without the need for additional rack space.

Both models use an integral permanent disc and a removable disc. Versions with only the removable disc are also available.

The front-loading Series-F uses the IBM 2315-type cartridge, and the top-loading Series-T the IBM 5440-type cartridge. With packing densities to 4400 bits per inch and up to 200 tracks per inch, data capacities as high as 100 megabits are available.

The Series-F, only 7 inches high, fits the same rack height as the Diablo Model 31, yet offers *twice* the data storage capacity. The top-loading Series-T is only 7¾ inches high.

The read/write heads for both the removable and fixed discs are positioned by a newly designed voice-coil actuator. This new actuator not only provides high positioning speeds, but also long term reliability without adjustments. This ensures interchangeability of discs from one drive to another.

The disc spindle is integral with the DC drive motor eliminating belts and pulleys in the spindle drive system. The heavy-duty blower provides fully filtered air to the discs, through an oversize .3 micron air filter.

WANGCO's DC drive motor eliminates problems found in other drives having AC motors. The DC motor is not vulnerable to power frequency fluctuations, and **it will operate with existing power sources all over the world.**

Plug-in functional modules are readily accessible, simplifying maintenance and repair, with minimal down-time. Designed-in reliability of major components assures an MTBF of 5000 hours.



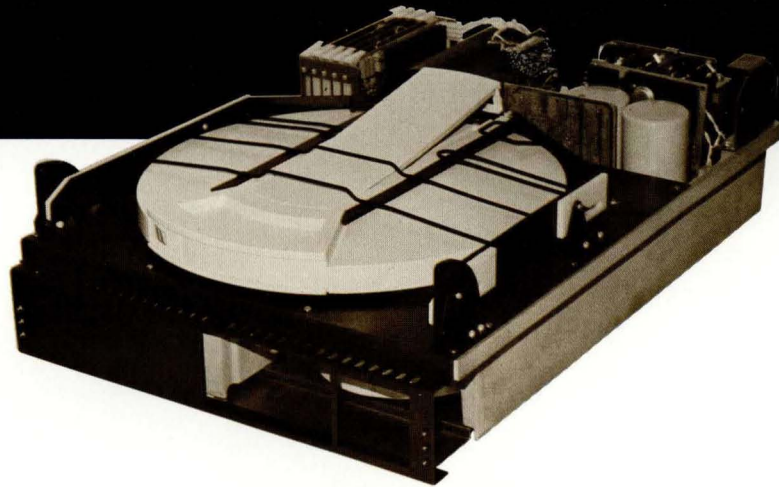
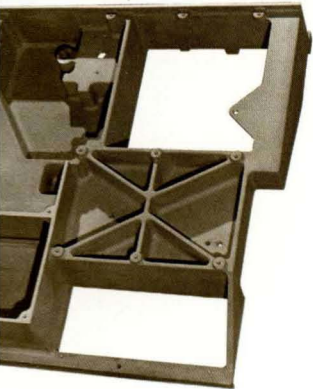
BOTH THE SERIES-F AND SERIES-T

- Small size for easy installation
- Interface flexibility
- Voice-coil positioning
- Built-in power supply
- Easy maintenance
- 1500 or 2400 RPM
- Daisy-chain capability
- Positive cartridge loading
- Cast main frame
- Electronic sectoring

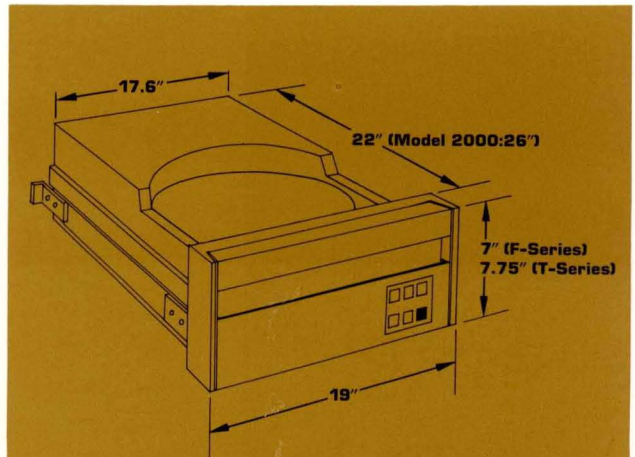
GENERAL SPECIFICATIONS

	F-1000 and T-1000 Models	F-2000 and T-2000 Models		
Access Times				
Track-to-track	10 ms	8 ms		
Average	45 ms	35 ms		
Full Stroke	80 ms	60 ms		
Data Reliability				
Recoverable Errors	Max. 1 in 1x10 ¹⁰ bits			
Non-recoverable Errors	Max. 1 in 1x10 ¹² bits			
Physical Dimensions				
	F-1000	F-2000	T-1000	T-2000
Height	7"	7"	7.75"*	7.75"*
Width (for standard 19" rack mount)	17.60"	17.60"	17.60"	17.60"
Depth: from mounting surface incl. I/O cables	22"	26"	22"	26"
Weight (all models)	Approx. 80 lbs. with built-in power supply.			
Environment				
Operational				
Temperature Range	50° to 100°F			
Humidity Range (RH)	10 to 80% (non-condensing)			
Storage and Shipping				
Temperature Range	-40° to 150°F			
Humidity Range (RH)	5 to 95% (non-condensing)			
Power Requirement				
Built-in power supply: 100, 120, 200, 220, 230, 240, 250, 260 VAC ±10%, 47 to 63 HZ, 300 VA.				
DC (if customer supplied)				
+ 18 VDC ±10% @ 8 amps. average				
- 18 VDC ±10% @ 8 amps. average				
+ 5 VDC ± 10% @ 4 amps. average				

*Also available in 7" rack height, with storage of cartridge cover outside drive.



AND THE SERIES-T GIVE YOU:
 packaging and convenient installation.
 permits replacement of Diablo, Iomec, Caleus, Pertec disc drives.
 r.
 ly (optional without).
 with plug-in functional modules.
 disc speed.
 ty with front-mounted unit select switch.
 loading with safety interlock.
 structural stability.
 . 8, 12, 14, 16, 24, 32 sector formats available.



PERFORMANCE CHARACTERISTICS

SERIES-F FRONT-LOADING

Model Number	Gross Capacity Megabits	Transfer Rate XB/Sec	Recording Density Bits/Inch	Track Density Track/Inch	Rotation Speed RPM
F-1111	11.5	720	1025	100	1500
F-1121	23	720	1025	100	1500
F-1211	25	1562	2200	100	1500
F-1212	25	2500	2200	100	2400
F-1221	50	1562	2200	100	1500
F-1222	50	2500	2200	100	2400
F-2211	50	1562	2200	200	1500
F-2212	50	2500	2200	200	2400
F-2221	100	1562	2200	200	1500

SERIES-T TOP-LOADING

T-1211	25	1562	2200	100	1500
T-1212	25	2500	2200	100	2400
T-1221	50	1562	2200	100	1500
T-1222	50	2500	2200	100	2400
T-2211	50	1562	2200	200	1500
T-2212	50	2500	2200	200	2400
T-2221	100	1562	2200	200	1500
T-2222	100	1562	2200	200	2400
T-2412	100	5000	4400	200	2400
T-2422	200	5000	4400	200	2400

SERIES-F / SERIES-T

WANGCO's customers are supported by a network of sales and service offices located in major cities in the United States, and in Europe. Each location is staffed with personnel having exceptional technical and marketing competence.

SETTING THE PACE IN PERIPHERALS

W **WANGCO**
INCORPORATED

2400 BROADWAY • SANTA MONICA, CALIF. 90404
(213) 828-5565

SALES AND SERVICE OFFICES IN MAJOR CITIES IN THE U.S. AND IN EUROPE.