

NOTES: UNLESS OTHERWISE SPECIFIED.

1. ELECTRICAL VALUES ARE IN OHMS, MICROFARADS AND MICRONHENRIES.

2. ALL RESISTORS ARE .25W, 1/4W.

3. F.S. IS FACTORY SELECT COMPONENTS TO ADJUST PULSE WIDTH TO 100'S MAX - 1.15 U.S. ONLY.

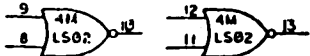
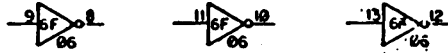
4. Q1, Q2 ARE MOUNTED ON HEATSINK.

5. ALL INTEGRATED CIRCUITS ARE SN74 SERIES.

6. I.C. PINS ARE GND=7, +5V=14 EXCEPT FOR:

TYPE	GND	+5V
74LS123	8	16
74LS133	8	16
74LS139	8	16
74LS157	8	16
74LS165	8	16
74LS190	8	16
74LS191	8	16
74LS373	10	20
2316	12	24
75462	4	8

7. ALL DIODES ARE 1N4148.



SPARE GATES

REV.	DESCRIPTION	DATE	BY
1	REV PER EC 10410	2/28/82	...
2	UPDATE PER EC 10411	3/20/82	...
3	REV PER EC 10412	4/20/82	...
4	UPDATE PER EC 10413	5/20/82	...
5	UPDATE PER EC 10414	6/20/82	...
6	UPDATE PER EC 10415	7/20/82	...
7	REV PER EC 10416	8/20/82	...
8	REV PER EC 10417	9/20/82	...
9	REV PER EC 10418	10/20/82	...
10	REV PER EC 10419	11/20/82	...
11	REV PER EC 10420	12/20/82	...

SHEET	DESCRIPTION
1	POWER & SPARES
2	CPC INTERFACE (LS22)
3	MOTOR SPEED (+7.5 & DAC)
4	PLL
5	RD/WR HEAD INTERFACE
6	DRIVE SELECT, LED, DECODE
7	GCR EN/DE-DECODE
8	DISK CONNECT: (LS1REF)
9	STEPPER CONTROL

REVISION STATUS	REV.	DATE	BY	CHKD.
1	1	2/28/82
2	2	3/20/82
3	3	4/20/82
4	4	5/20/82
5	5	6/20/82
6	6	7/20/82
7	7	8/20/82
8	8	9/20/82
9	9	10/20/82

POWER & SPARES

J15	
TP9	
L9	
CR26	
Q3	
C38	
P22	
LAST USED	
REF. PART	

Victor Technologies, Inc.

W TAYLOR 25-81

DISK DRIVE SCHEMATIC

100093

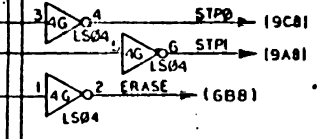
1 OF 5

ID0 1
 ID1 3
 ID2 5
 ID3 7
 ID4 9
 ID5 11
 ID6 13
 ID7 15
 WR 33
 A0 41
 A1 43
 A2 45
 A3 47
 RESET PHASE 2 49
 CS7 35
 TR0 21
 CS6 17
 CS5 19

VCC 20
 +5V
 PA0 2 E0 (7C11)
 PA1 3 E1 (7C11)
 PA2 4 E2 (7C11)
 PA3 5 E3 (7C11)
 PA4 6 E4 (7C11)
 PA5 7 E5 (7B11)
 PA6 8 E6 (7B11)
 PA7 9 E7 (7B11)
 CA1 40 RDY0 (7D11)
 CA2 39 RDY1 (7D11)
 PB0 10 WD0 (7B0)
 PB1 11 WD1 (7B0)
 PB2 12 WD2 (7B0)
 PB3 13 WD3 (7B0)
 PB4 14 WD4 (7B0)
 PB5 15 WD5 (7B0)
 PB6 16 WD6 (7B0)
 PB7 17 WD7 (7B0)
 CB1 18 N/C
 CB2 19 N/C
 TR0 21 TR0
 VSS 21

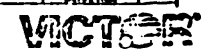
VCC 20
 +5V
 PA0 2 L0MS0 (3D8)
 PA1 3 L0MS1 (3D8)
 PA2 4 L0MS2 (3D8)
 PA3 5 L0MS3 (3D8)
 PA4 6 ST0 A (90B)
 PA5 7 ST0 B (90B)
 PA6 8 ST0 C (9C8)
 PA7 9 ST0 D (9C8)
 PB0 10 LIMS0 (3C8)
 PB1 11 LIMS1 (3C8)
 PB2 12 LIMS2 (3C8)
 PB3 13 LIMS3 (3C8)
 PB4 14 ST1 A (98B)
 PB5 15 ST1 B (98B)
 PB6 16 ST1 C (98B)
 PB7 17 ST1 D (9A8)
 CA1 40 DS0 (6A8)
 CA2 39 WRSYNC (7B8)
 CB1 18 N/C
 CB2 19 N/C
 TR0 21 TR0
 VSS 21

VCC 20
 +5V
 PA0 2 LED PA (60B)
 PA1 3 LED PB (6C8)
 PA2 4 LED 1A (6C8)
 PA3 5 LED 1B (6C8)
 PA4 6 SIDE SELECT (60B)
 PA5 7 C-IVL SELECT (60B)
 PA6 8 WPS (601)
 PA7 9 STIME (701)
 CA1 40 GCAL HA (7C11)
 CA2 39 DRW (68B) (7B8)
 PB0 10 RDY0 (3C5)
 PB1 11 RDY1 (3C5)
 PB2 12 SRESET (3D8)
 PB3 13
 PB4 14
 PB5 15 N/C
 PB6 16
 PB7 17
 CB1 18 N/C
 CB2 19
 TR0 21
 VSS 21

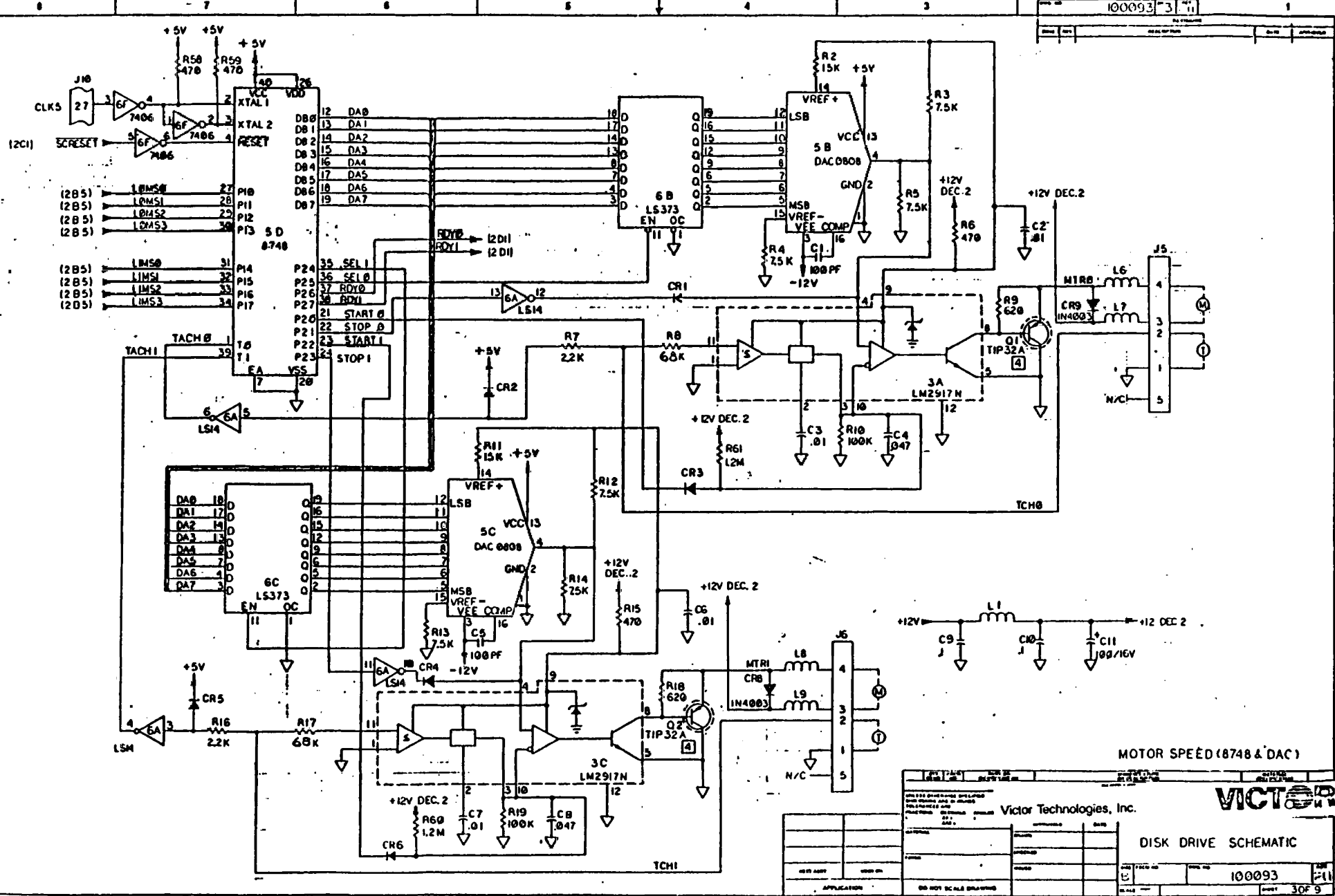


CPU INTERFACE (6522)

Victor Technologies, Inc. DISK DRIVE SCHEMATIC	
PART NO. 100093 REV. 11	DATE 2/2/81
DRAWN BY: [Blank] CHECKED BY: [Blank]	APPROVED BY: [Blank]



100093



MOTOR SPEED (8748 & DAC)

VICTOR

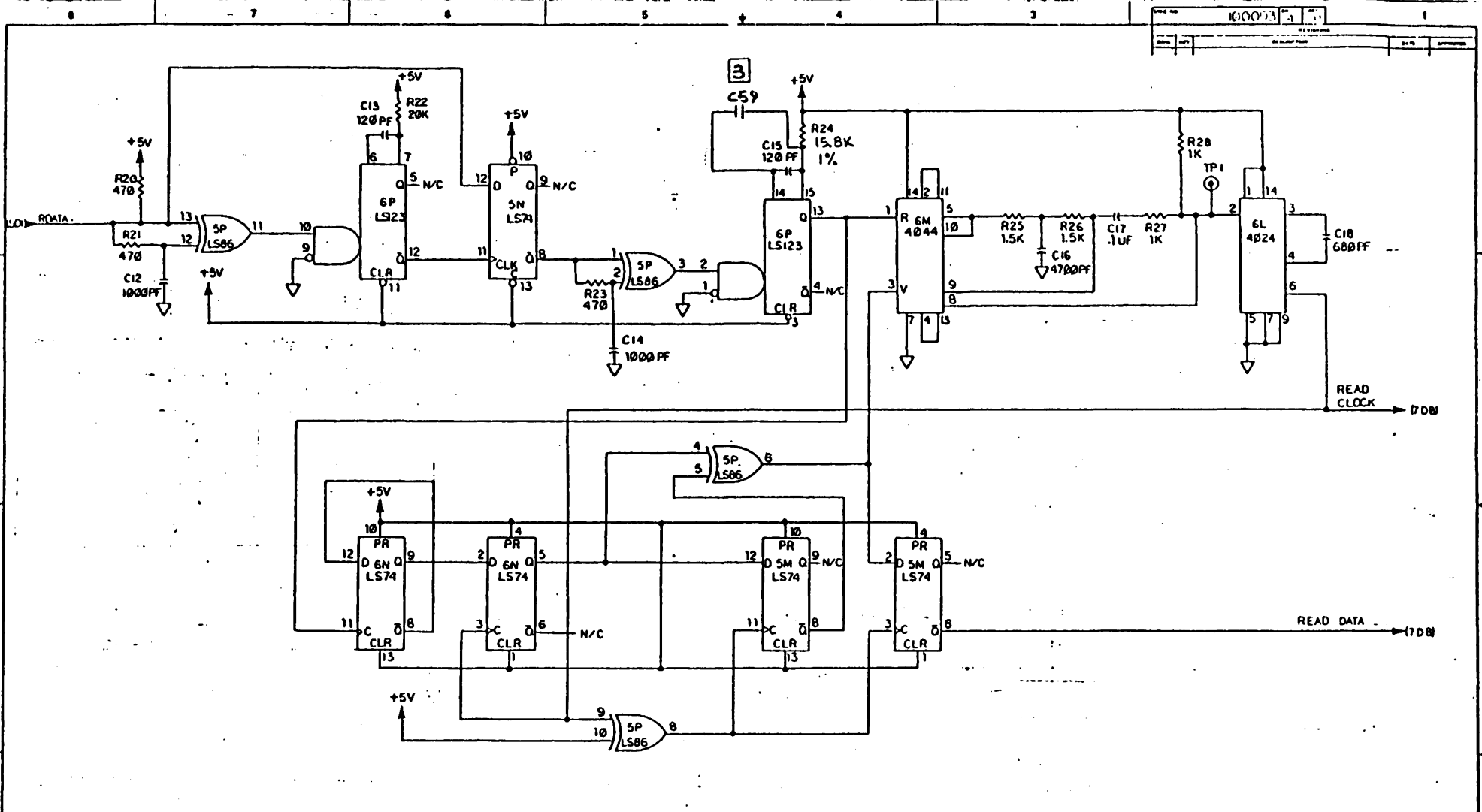
Victor Technologies, Inc.

DISK DRIVE SCHEMATIC

DATE	DRAWN BY	CHECKED BY	DATE

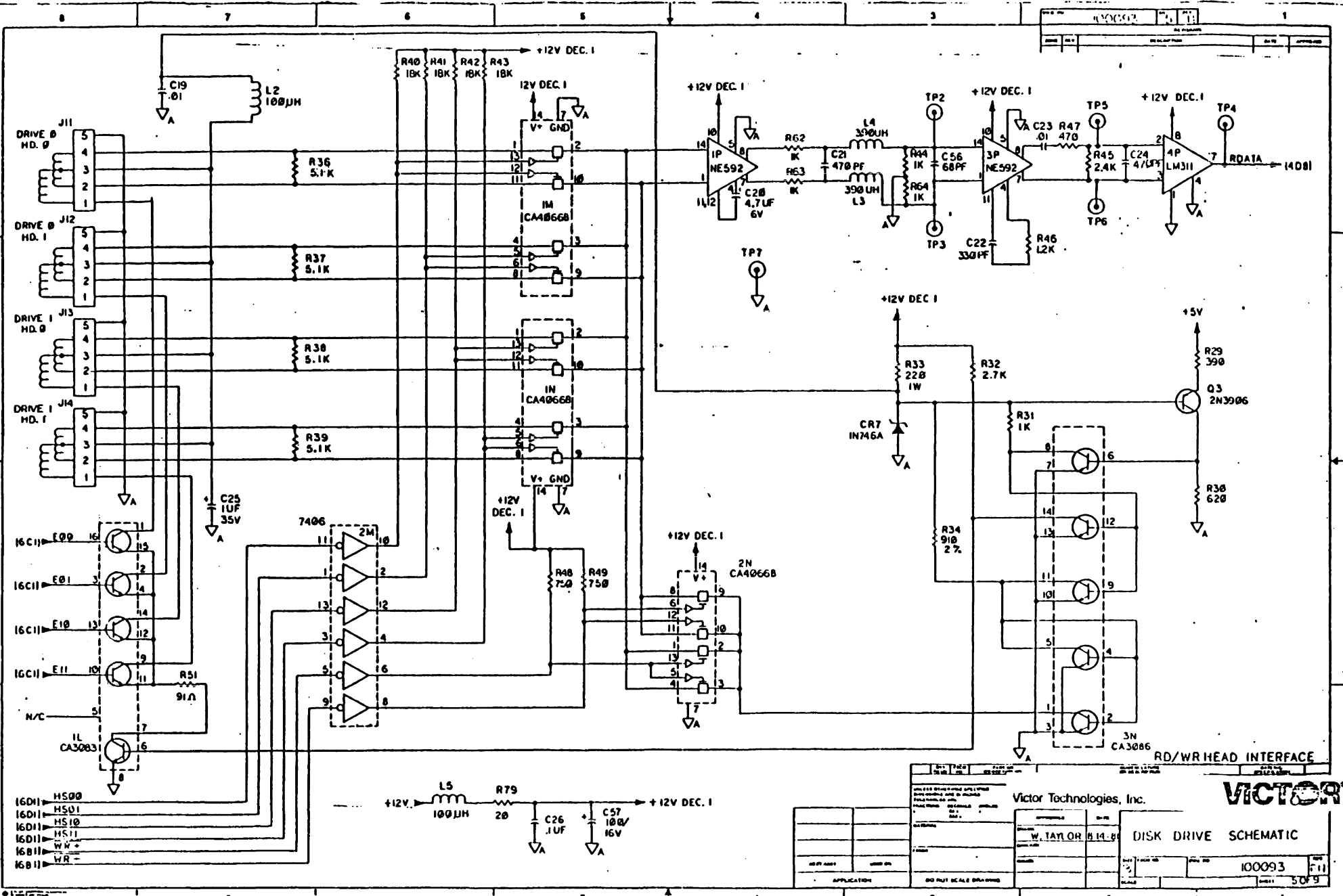
100093 P11

30F 9



PLL

Victor Technologies, Inc.		VICTOR	
DISK DRIVE SCHEMATIC		100093	
DATE: 7-13-81		SHEET 4 OF 9	
APPLICATION:		DO NOT SCALE DIMENSIONS	



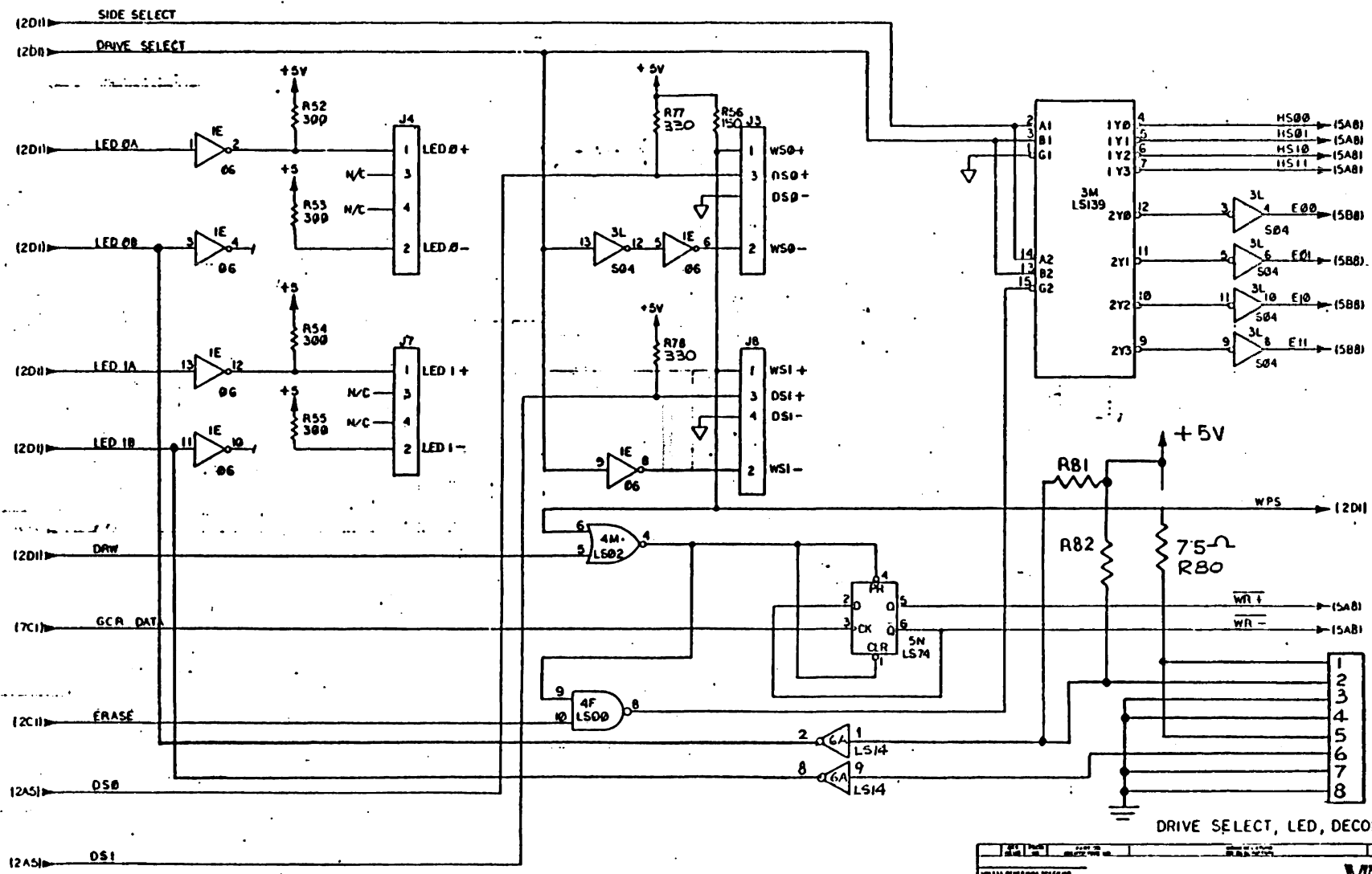
VICTOR

Victor Technologies, Inc.

DISK DRIVE SCHEMATIC

100093

5 OF 9



DRIVE SELECT, LED, DECODE

J-15.

<p>Victor Technologies, Inc.</p>		<p>VICTOR</p>	
<p>DISK DRIVE SCHEMATIC</p>			
<p>DATE: _____</p>	<p>DESIGNED BY: _____</p>	<p>APPROVED BY: _____</p>	<p>REV: _____</p>
<p>ISSUED BY: _____</p>	<p>ISSUED ON: _____</p>	<p>FIG. NO. 100093</p>	<p>REV. 1</p>
<p>APPLICATION: _____</p>		<p>DO NOT SCALE DRAWING</p>	

(2B5) CS7

(4C1) READ CLOCK

(4B1) READ DATA

(2A5) WRSYNC

(2C5) WRD-WD7

(2D1) DRW

SYNC (2D1)

BRDY (2D5)

GCR DATA (C88)

GCR ERR (2D1)

- E0 (2D5)
- E1 (2D5)
- E2 (2D5)
- E4 (2D5)
- E5 (2D5)
- E6 (2D5)

J10 23 SYN

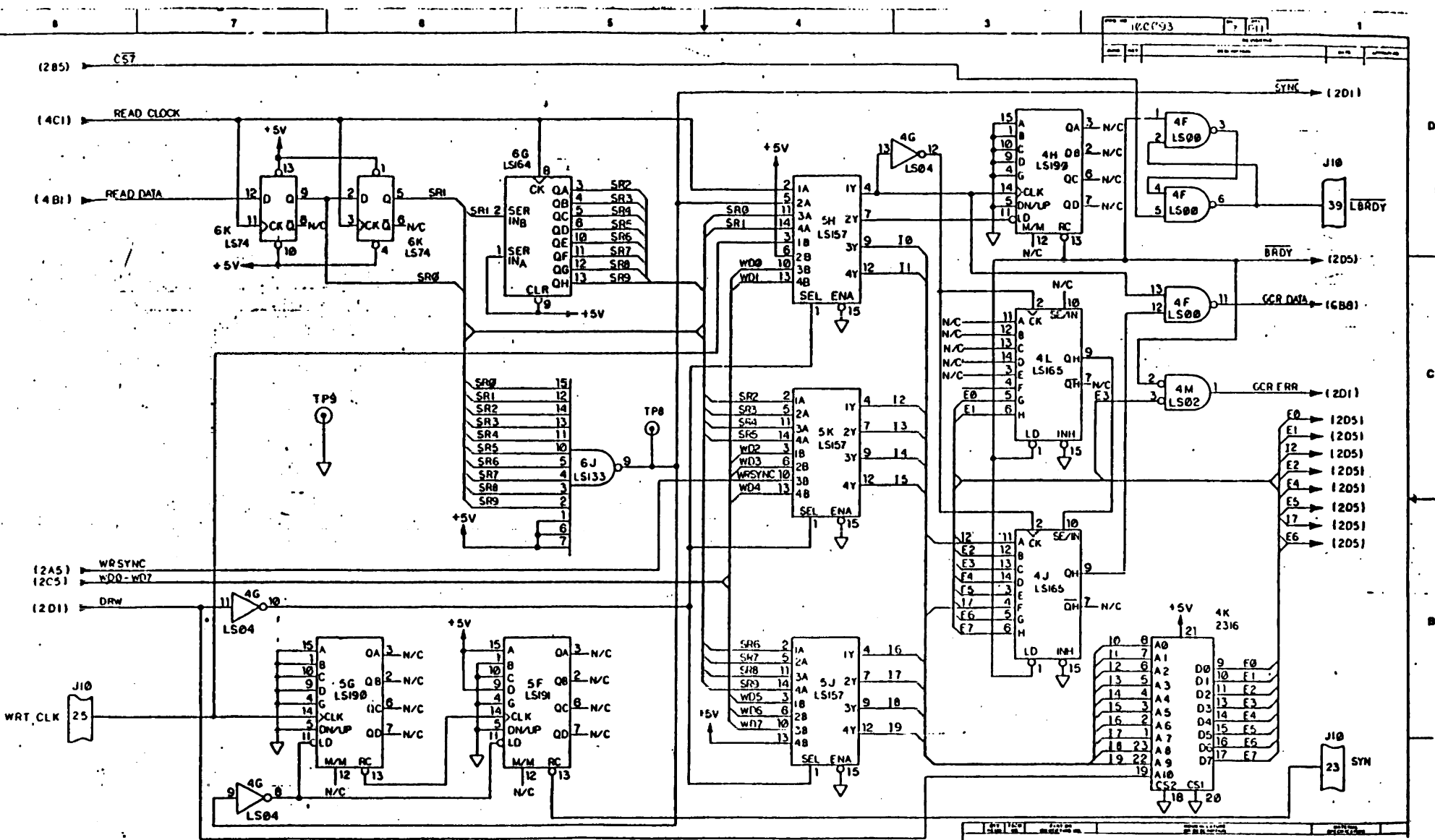
J10 25 WRT CLK

J10 23 SYN

J10 23 SYN

J10 23 SYN

J10 23 SYN



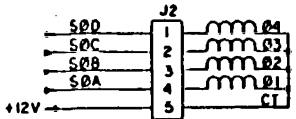
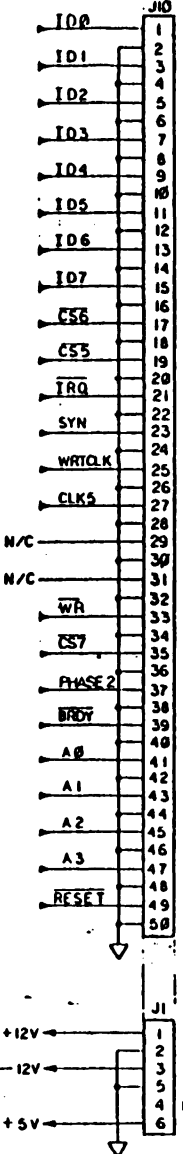
GCR EN/DE-CODER

Victor Technologies, Inc.

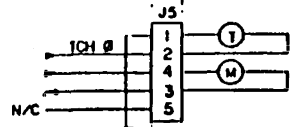
VICTOR

DATE	DESIGNED BY	W. L. TAYLOR	7/23/81
REV	APP'D BY		
NO. OF SHEETS	TITLE	DISK DRIVE SCHEMATIC	
1	PROJECT NO.	100093 P11	
1	SCALE	1/8" = 1"	

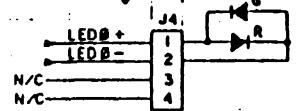
CPU INTERFACE (6522)
(SHT 2)



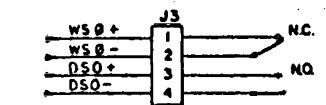
STEPPER A
(SHT 9)



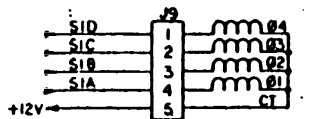
MOTOR A (8748, DAC, DISCRETE)
(SHT 3)



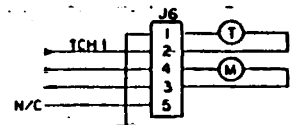
ACTIVITY LED A
(SHT 6)



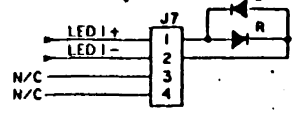
WRITE PROTECT A
DOOR SWITCH A
(SHT 6)



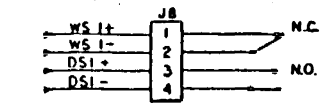
STEPPER B
(SHT 9)



MOTOR B
(SHT 3)

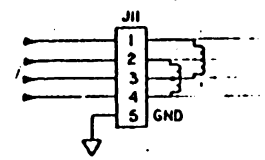


ACTIVITY LED B
(SHT 6)

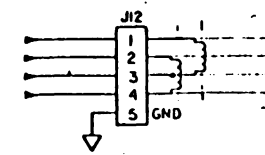


WRITE PROTECT B
DOOR SWITCH B
(SHT 6)

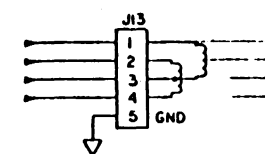
DRIVE A
HEAD 0
(SHT 5)



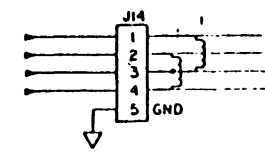
DRIVE A
HEAD 1
(SHT 5)



DRIVE B
HEAD 0
(SHT 5)

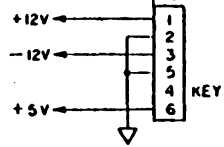


DRIVE B
HEAD 1
(SHT 5)



DISK CONNECTORS (REF)

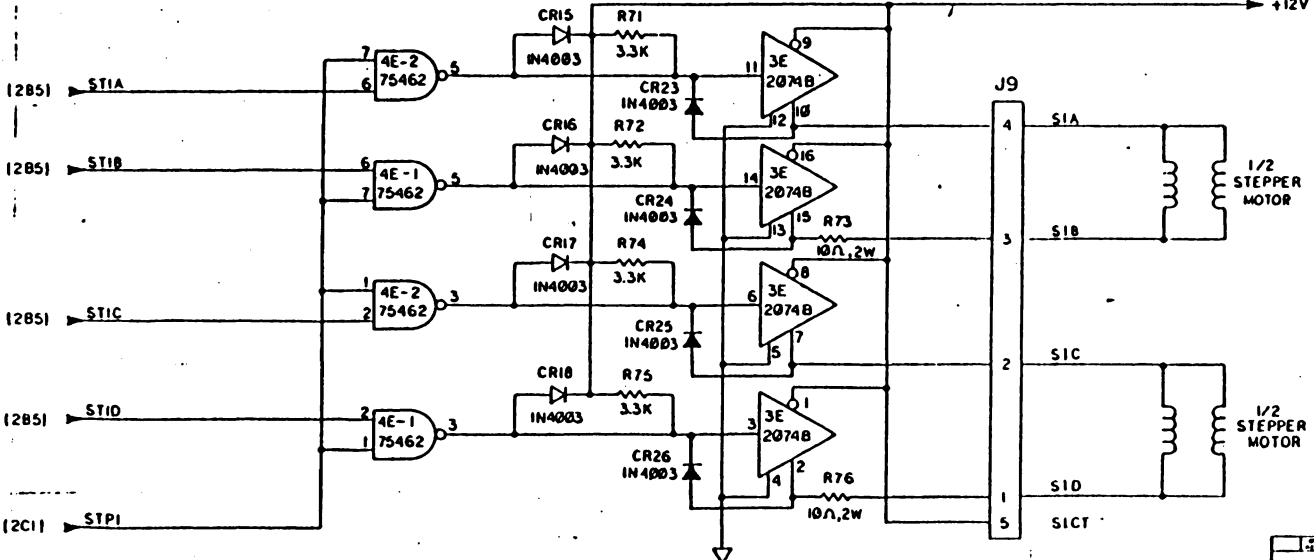
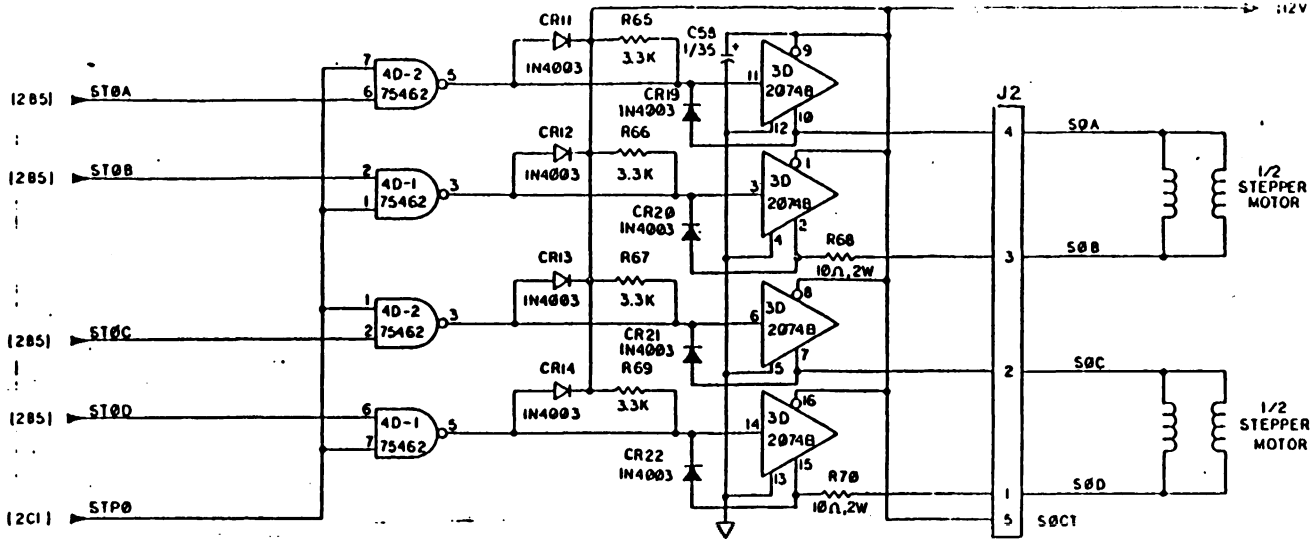
POWER CONNECTOR
(SHT 1)



Victor Technologies, Inc.

VICTOR

W. R. TAYLOR (7-3081)		DISK DRIVE SCHEMATIC	
100093	8-11	100093	8 OF 9



STEPPER CONTROL

Victor Technologies, Inc.

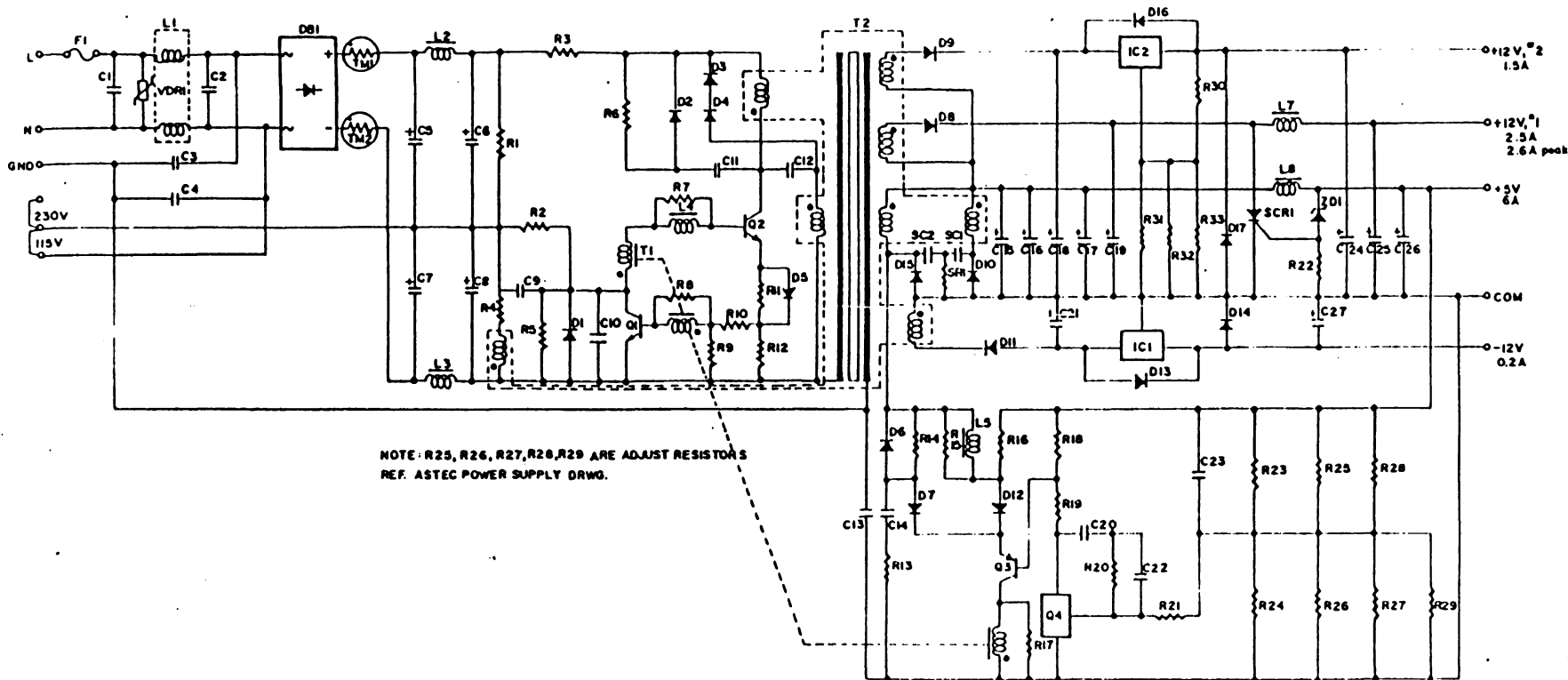
VICTOR

DISK DRIVE SCHEMATIC

W. TAYLOR 8-14-B

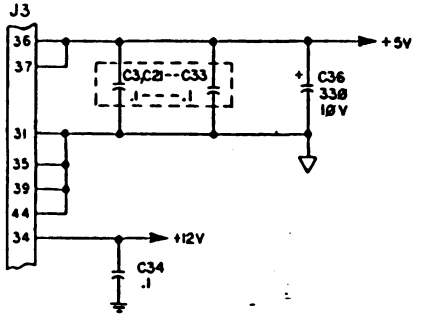
100093 9 OF 9

DATE	REV	BY	CHKD



NOTE: R25, R26, R27, R28, R29 ARE ADJUST RESISTORS
REF. ASTEC POWER SUPPLY DRWG.

VICTOR SCHEMATIC POWER SUPPLY (ASTEC)	
PARTS LIST QTY PART NO. DESCRIPTION UNIT PRICE TOTAL PRICE	ORDER NO. DATE BY CHECKED APPROVED



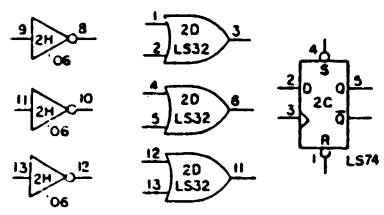
NOTES—UNLESS OTHERWISE SPECIFIED:

- 1 ELECTRICAL VALUES ARE IN OHMS, MICROFARADS, AND MICROHENRIES.
- 2 ALL RESISTORS ARE $\pm 5\%$, 1/4 W.
- 3 ALL INTEGRATED CIRCUITS ARE SN74 SERIES.
- 4 IC PINS ARE: GND=7, 5V=14

IC TYPE	GND	+5V
ADC0802	10	20
74LS373	10	20
74LS374	10	20
74LS138	8	16
74LS133	8	16
74LS157	8	16

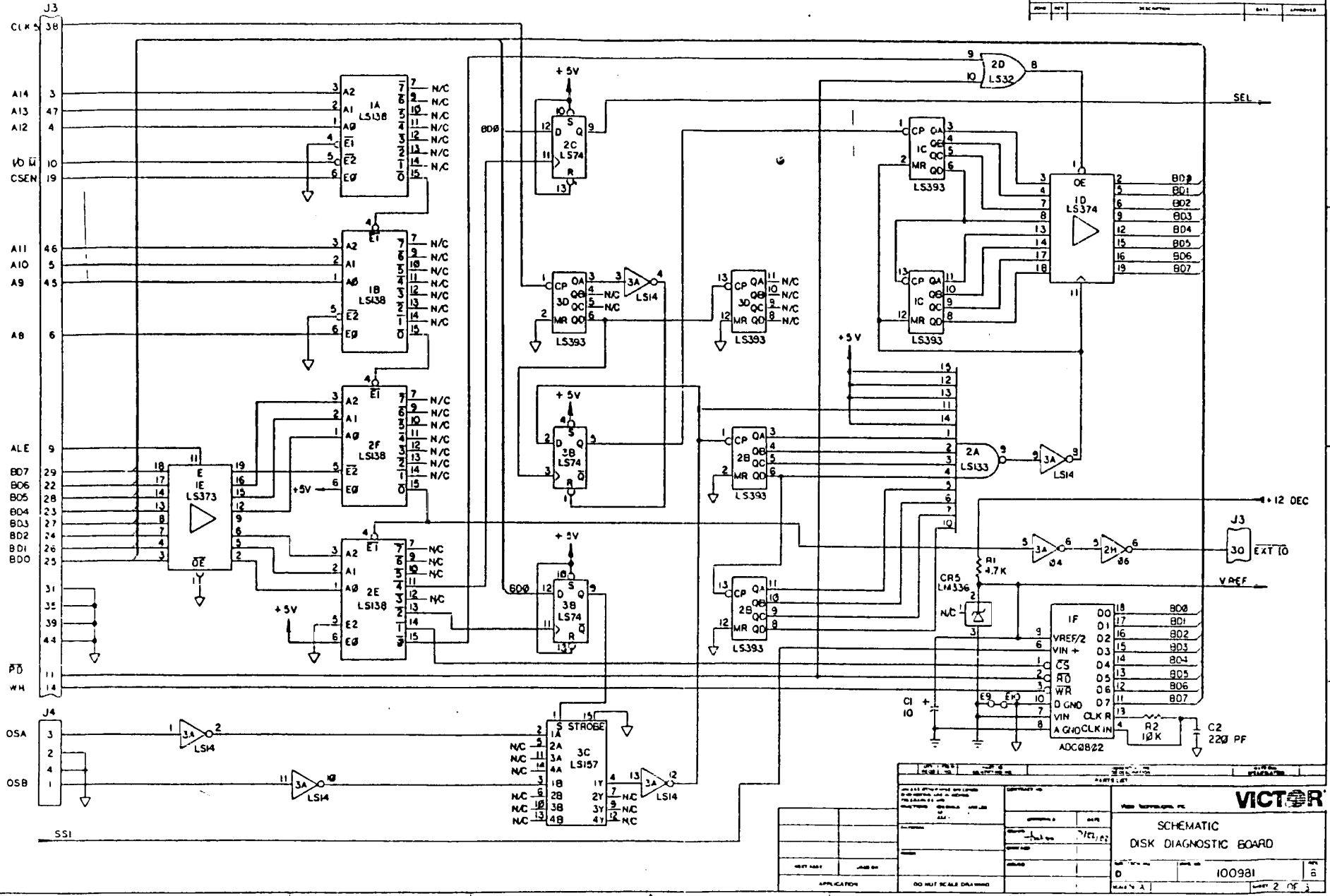
Company Control
VICTOR INFORMATION SYSTEMS
Not To Be Copied

SPARE GATES



E10	
J4	
L1	
CP5	
R16	R10
C36	R17
LAST USED	NOT USED
REF. DESIGNATOR	APPLICABLE

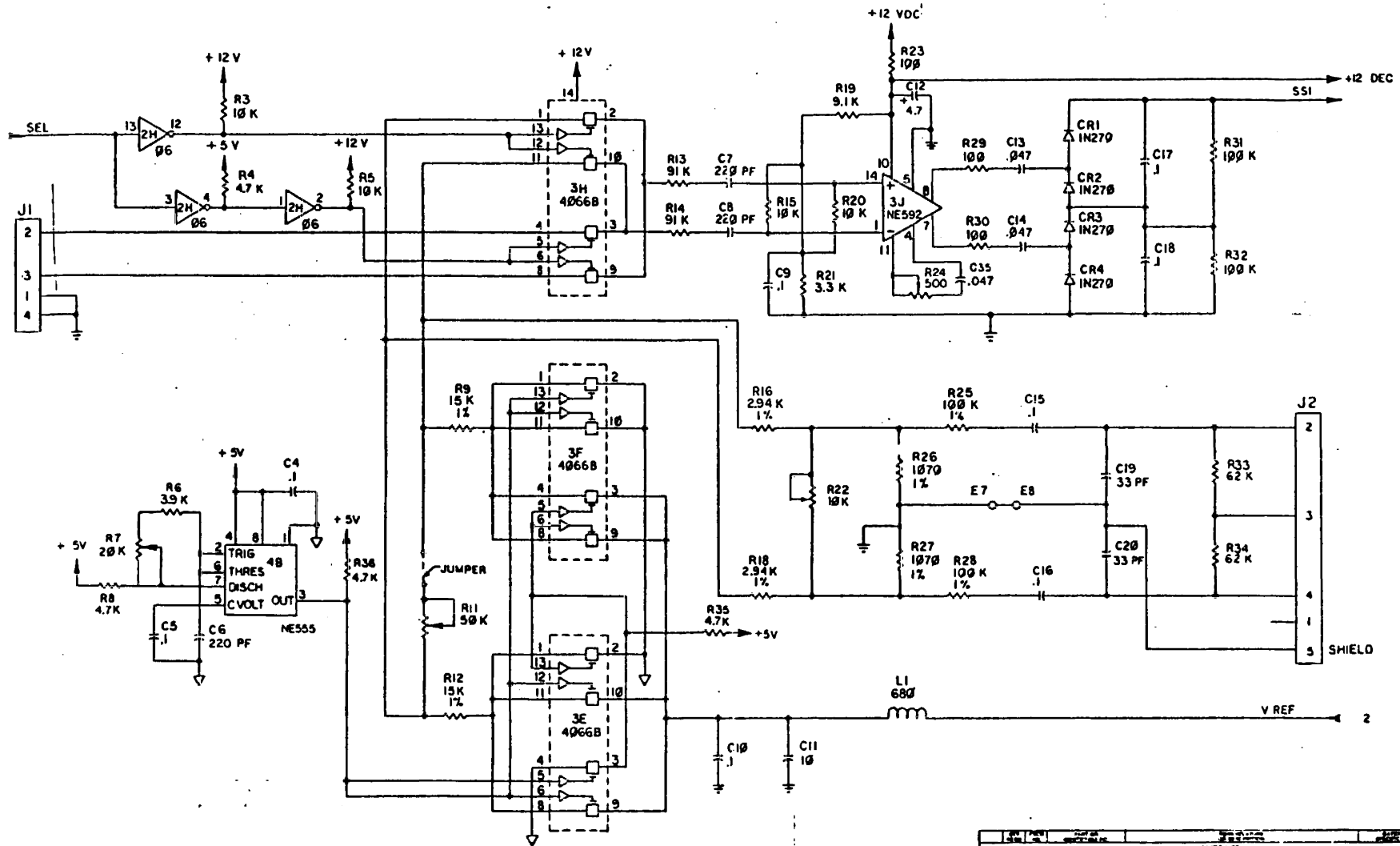
DATE	FIELD NO.	REV. OR	REV. OR	REV. OR	REV. OR
PARTS LIST				PARTS LIST	
UNLESS OTHERWISE SPECIFIED, DIMENSIONS ARE IN MILLIMETERS UNLESS OTHERWISE NOTED.				VICTOR	
SCHEMATIC, DISK DIAGNOSTIC BOARD				VICTOR	
REV. OR	DATE	REV. OR	DATE	REV. OR	DATE
D1	100981	B			
DO NOT SCALE DIMENSIONS				1 OF 3	



SSI

REV. NO.	REV. NO.	DESCRIPTION	DATE	APPROVED
100981	2			

VICTOR SCHEMATIC DISK DIAGNOSTIC BOARD	100981 SHEET 2 OF 3
--	------------------------

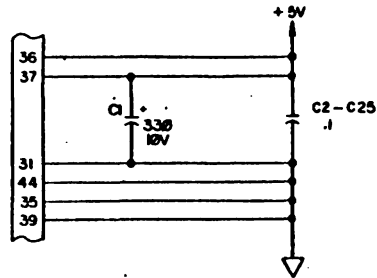


REV	DATE	BY	APP'D	DESCRIPTION	DATE	APP'D
PARTS LIST 1. 3H 4066B 2. 3E 4066B 3. 3J NE592 4. 1N270 5. NE555					PARTS LIST VICTOR TECHNOLOGY, INC. SCHEMATIC, DISK DIAGNOSTIC BOARD	

VICTOR

SCHEMATIC,
DISK DIAGNOSTIC BOARD

REV: 100981 PART: D1 SHEET: 3 OF 3



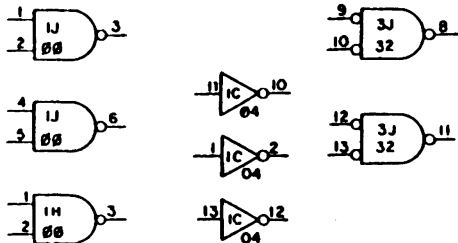
NOTES UNLESS OTHERWISE SPECIFIED

1. ELECTRICAL VALUES ARE IN OHMS, MICROFARADS, AND MICROHENRIES.
2. ALL RESISTORS ARE $\pm 5\%$, 1/4W.
3. ALL INTEGRATED CIRCUITS ARE SN74 SERIES.
4. IC PINS ARE, GND = 7, +5V = 14.

IC TYPE	GND	+5V
LS138	8	16
LS245	10	20
LS373	10	20
6116	12	24
2732A OR/4764	12	24

- 5 TO USE TWO 4764 DEVICES INSTEAD OF FOUR 2732A DEVICES, SEE TABLE 'A' BELOW.

SPARE GATES

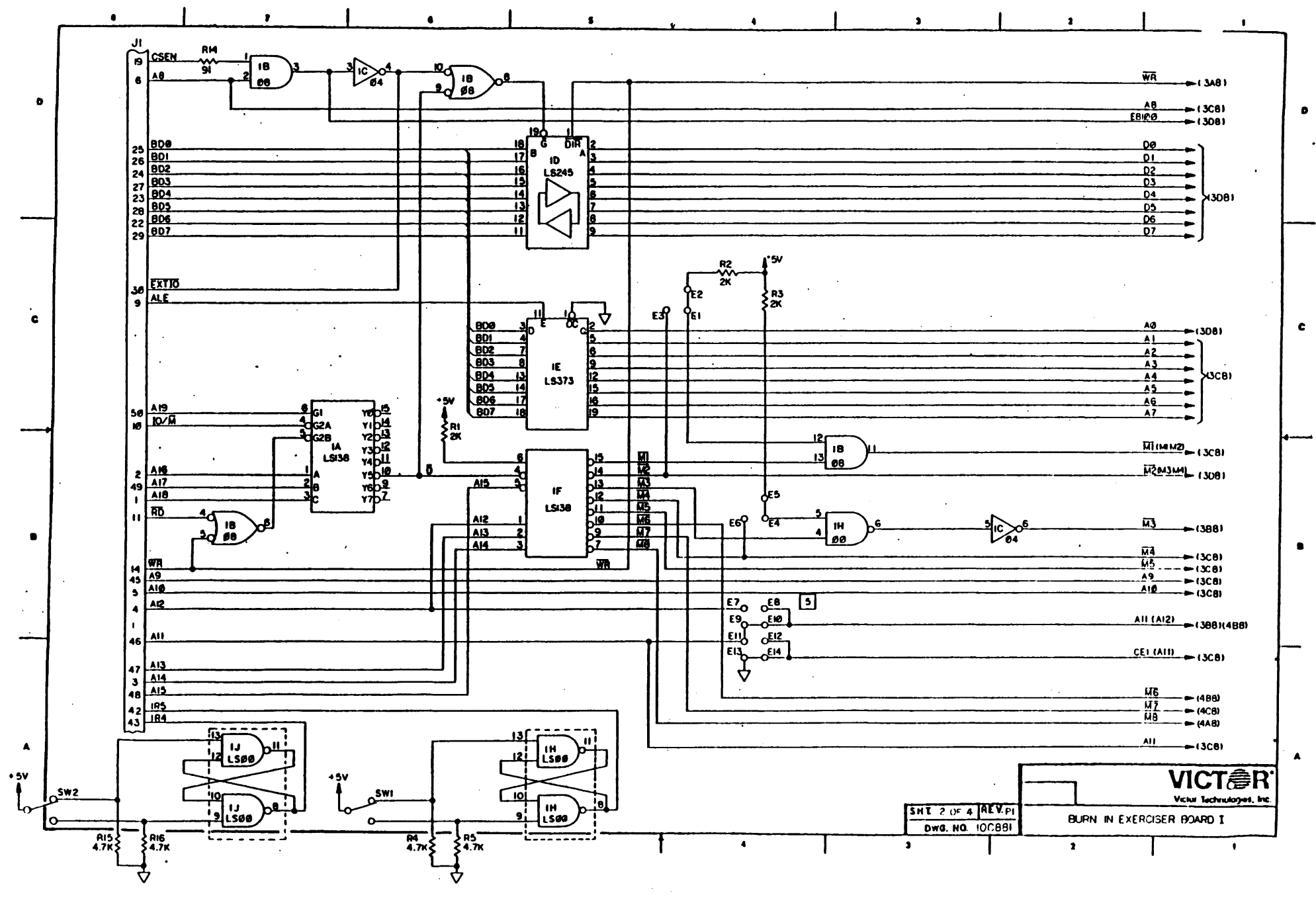


5

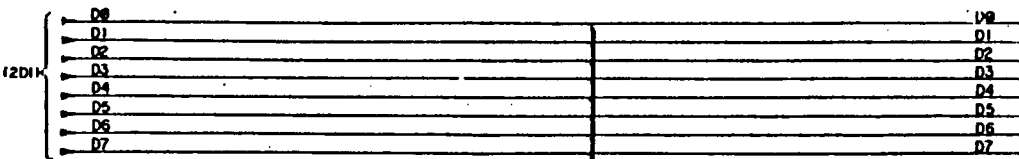
TABLE 'A'	
CJT	JOIN
E1 - E2	E1 - E3
E4 - E5	E4 - E6
E9 - E10	E7 - E8
E13 - E14	E11 - E12
E17 - E18	E15 - E16
E21 - E22	E19 - E20

SHEET 1 OF 4 REV. P1
DWG. NO. 100281

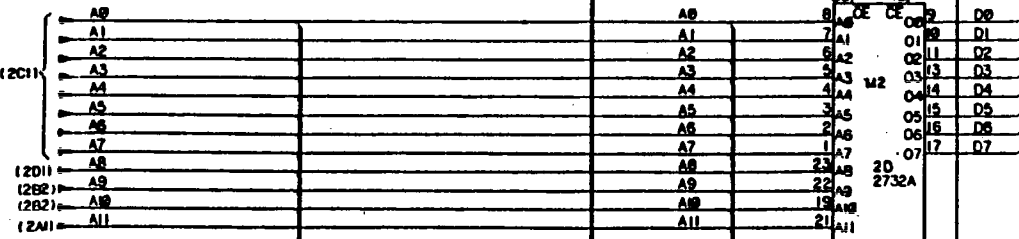
VICTOR
Victor Technologies, Inc.
BURN IN EXERCISER BOARD I



(2D1) E8100



(2B1) M2



(2D1) A8

(2B2) A9

(2B2) A10

(2A1) A11

(2B1) M1

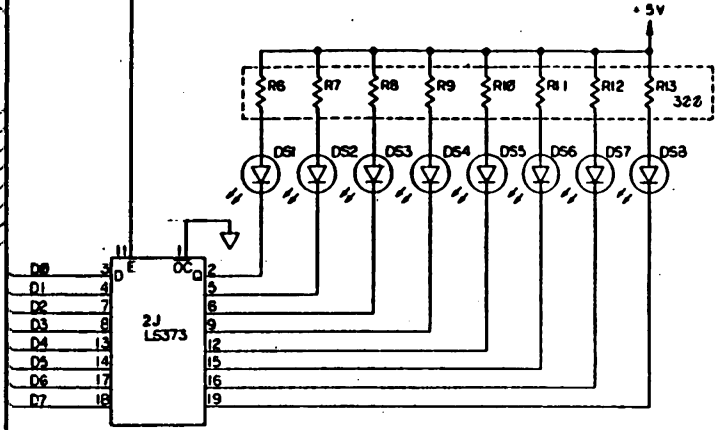
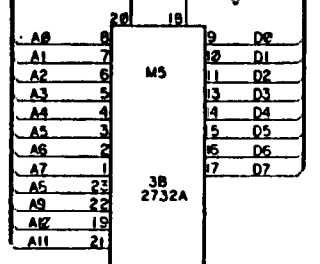
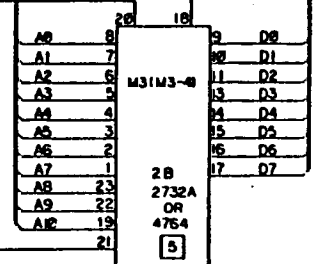
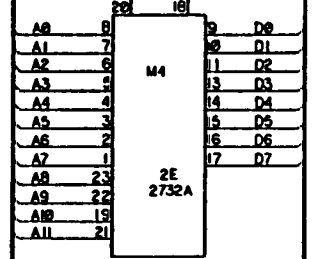
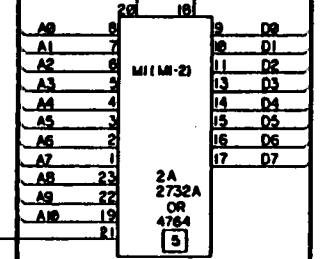
(2B1) CE1 (A11)

(2C1) M1 (M1-M2)

(2B1) A11 (A12)

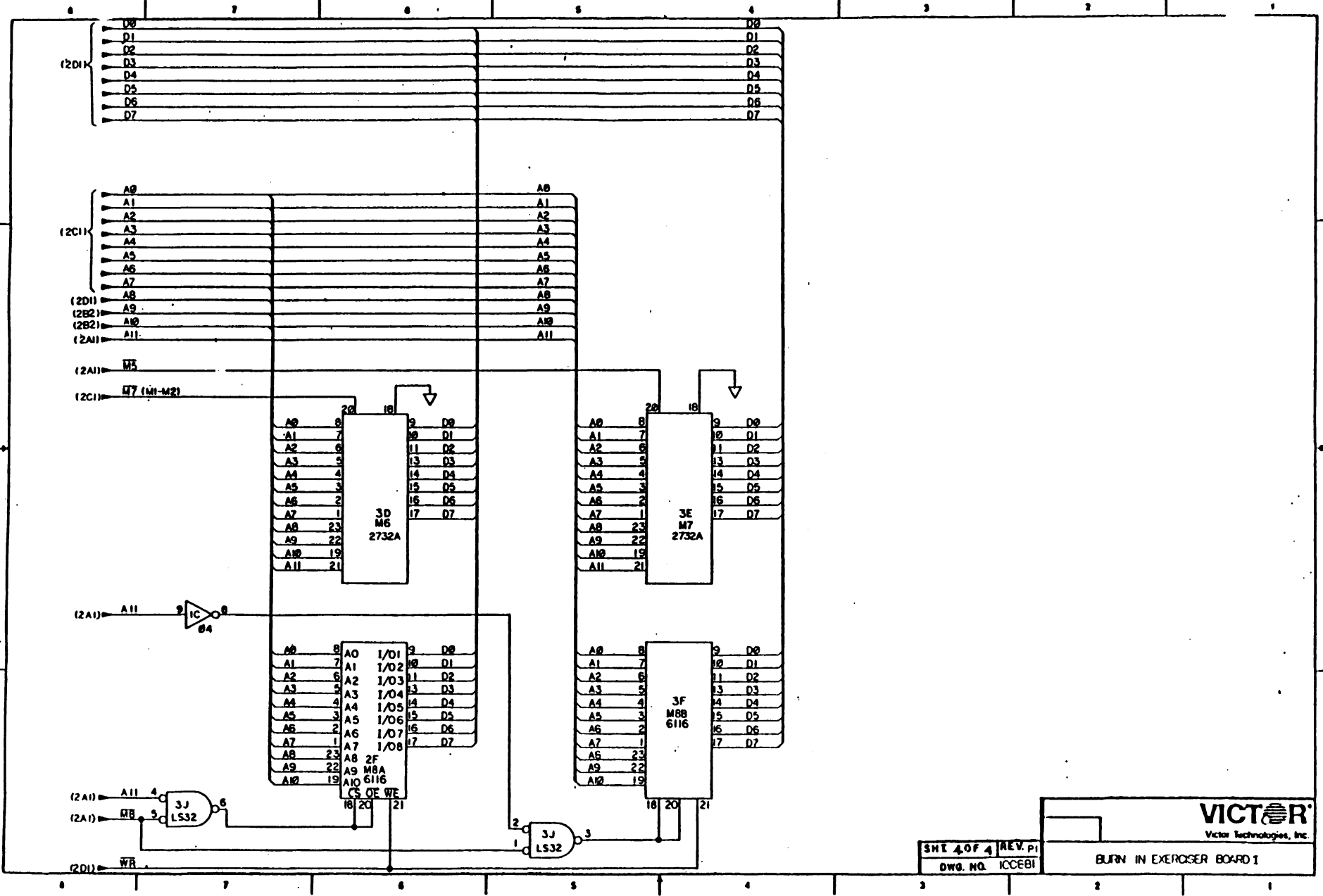
(2A1) M3

(2B1) M3 (M3-M4)



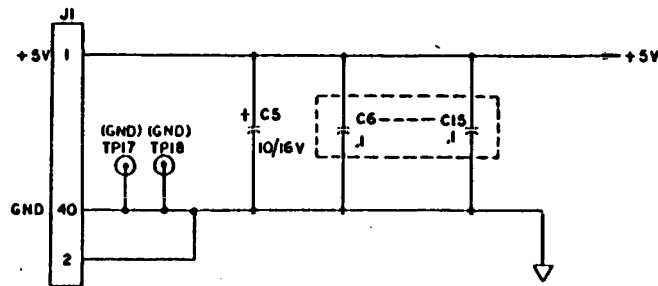
SHEET 3 OF 4 REV. P1
 DWG. NO. ICCEB1

VICTOR
 Victor Technologies, Inc.
 BURN IN EXERCISER BOARD I



SHEET 4 OF 4 REV. P1
 DWG. NO. ICCEBI

VICTOR
 Victor Technologies, Inc.
 BURN IN EXERCISER BOARD I

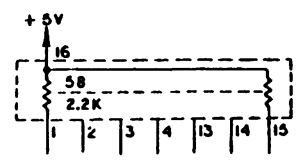
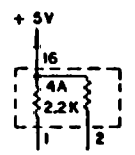


NOTES: UNLESS OTHERWISE SPECIFIED.

- 1. ELECTRICAL VALUES ARE IN OHMS, MICROFARADS AND MICROHENRIES.
- 2. ALL RESISTORS ARE $\pm 5\%$, $\sqrt{4W}$.
- 3. ALL INTEGRATED CIRCUITS ARE SN74 SERIES.
- 4. I.C. PINS ARE GND = 7, +5V = 14 EXCEPT FOR:

TYPE	GND	+5V
74LS157	8	16
74LS244	10	20
8088	20	40

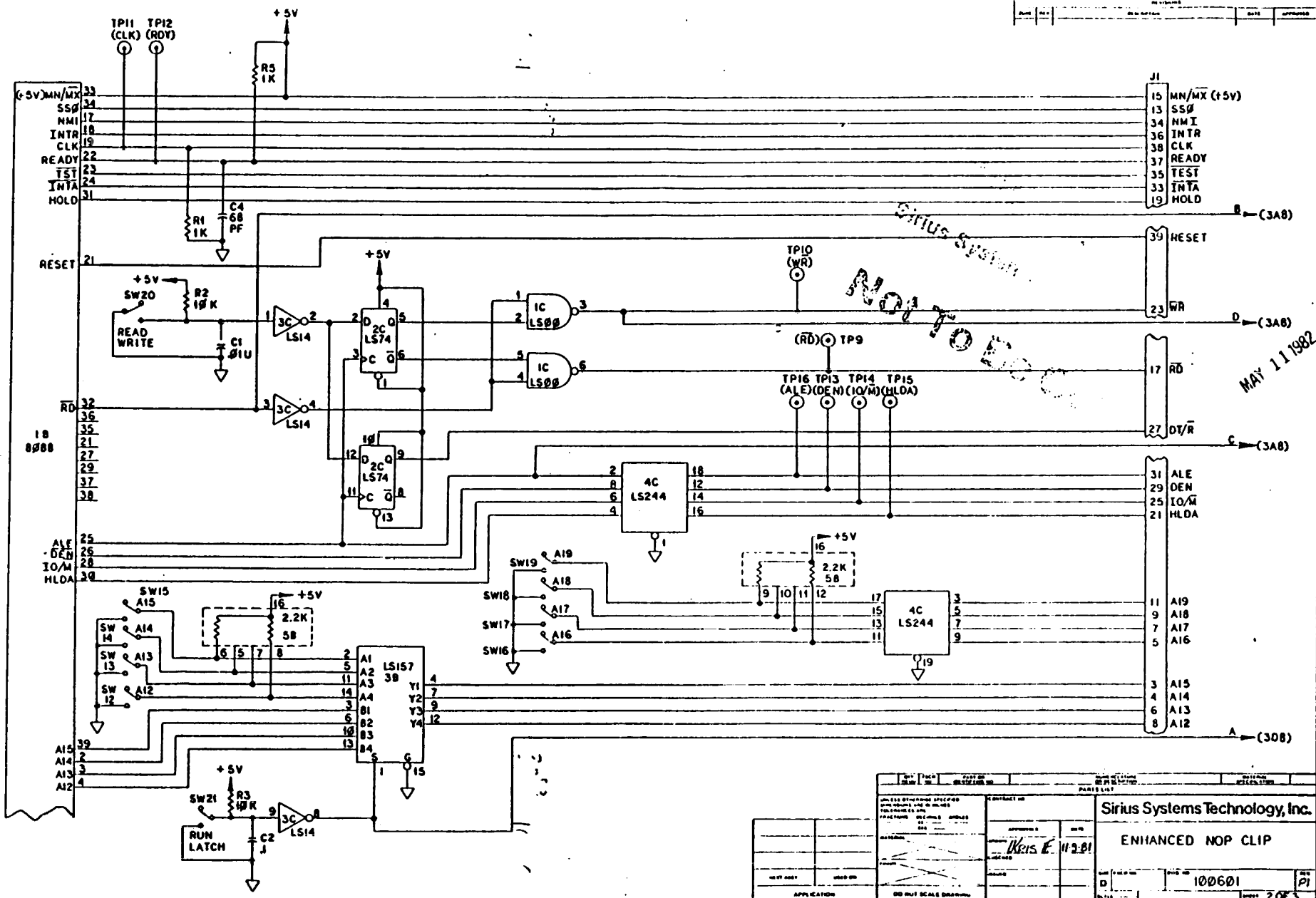
MAY 11 1982



SPARE GATES

J2	
TP18	
SWO-SW22	
C15	
R5	
LAST USED	NOT USED
REFERENCE DESIGNATION	APPLICATION

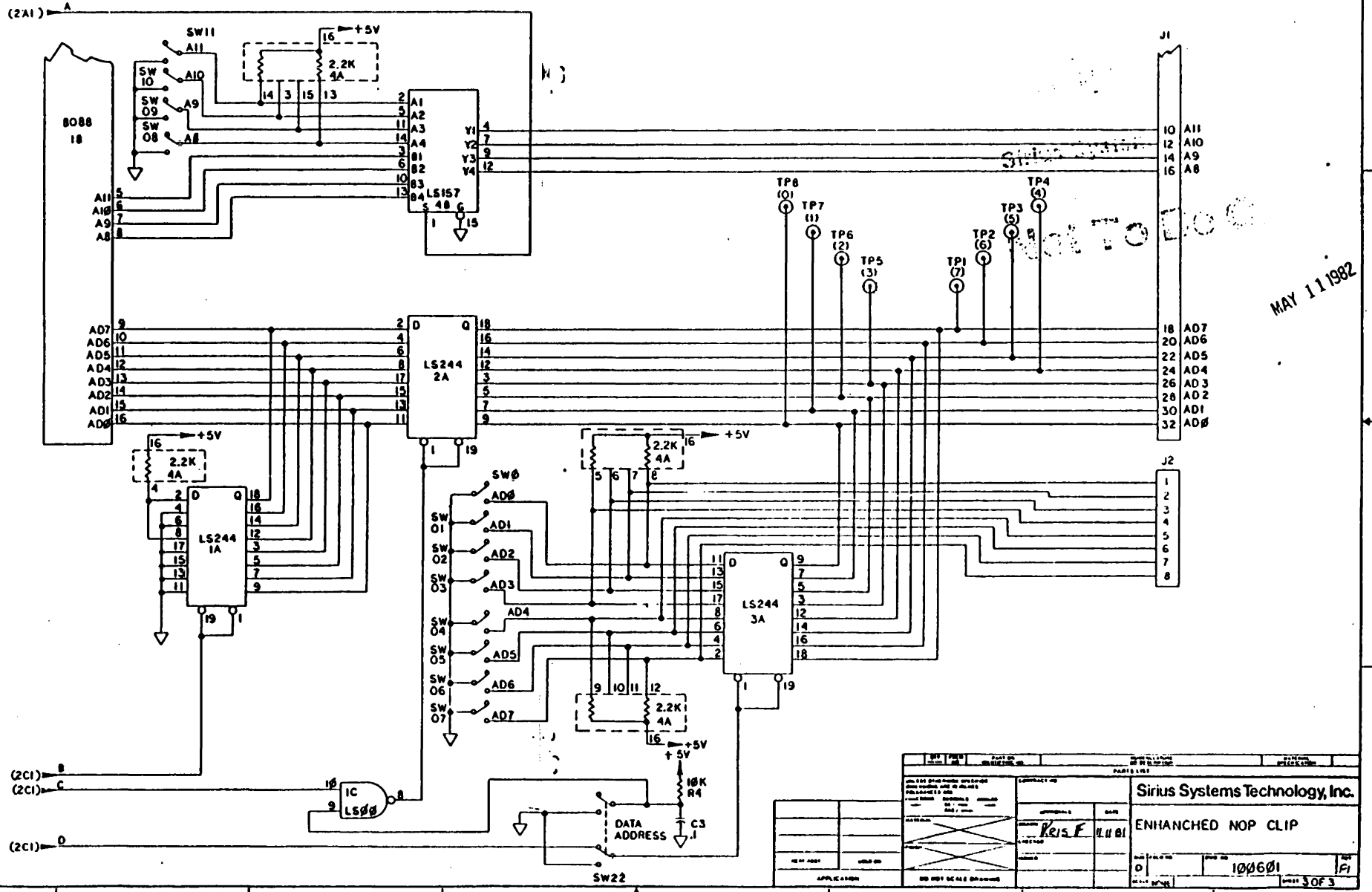
PARTS LIST		REVISED	
QTY	DESCRIPTION	DATE	BY
Sirius Systems Technology, Inc.			
SCHEMATIC, ENHANCED NOP CLIP			
DATE	BY	DATE	BY
100601		P1	



SIRIUS SYSTEMS
NOT TO BE COPIED

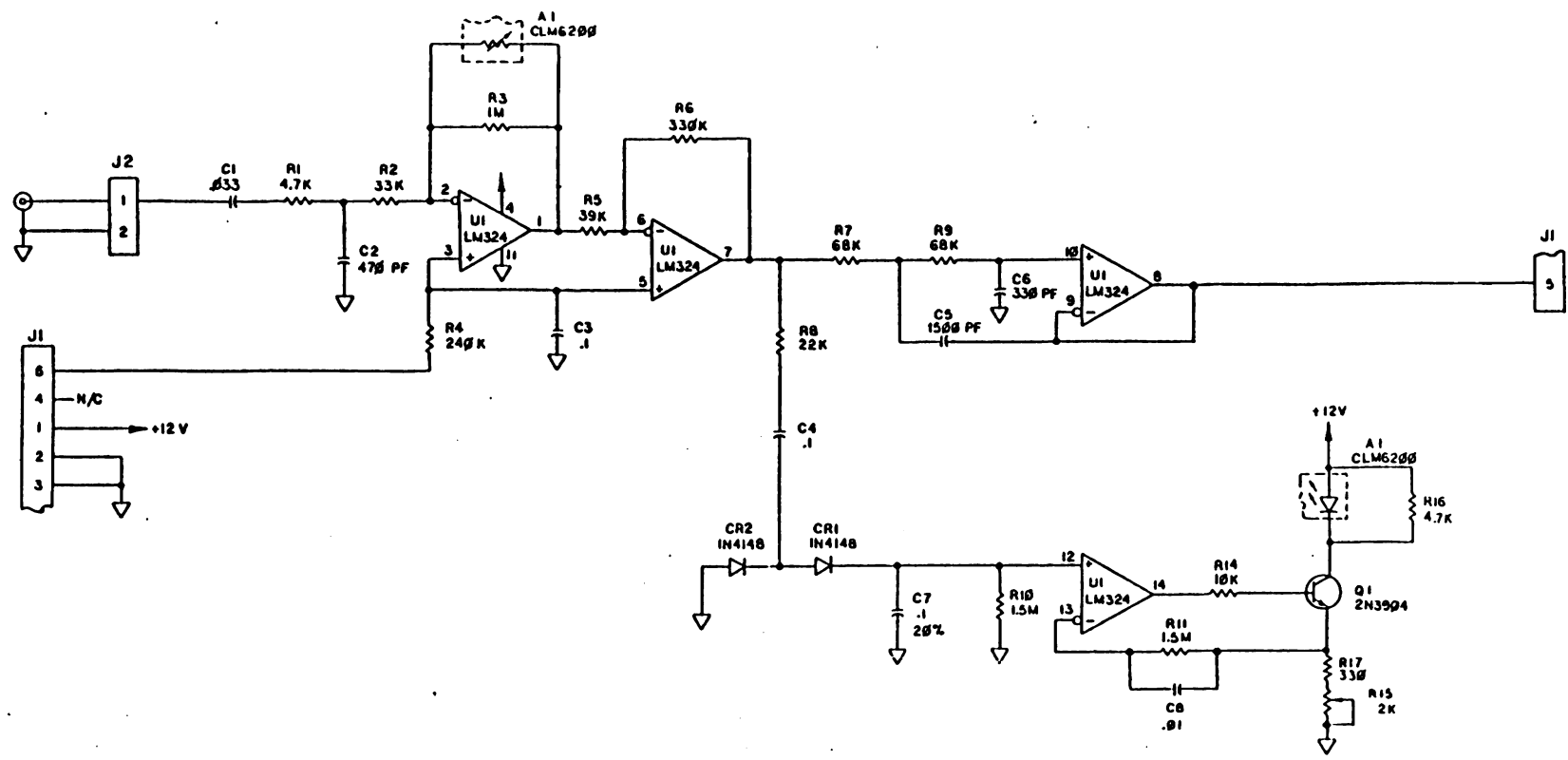
MAY 11 1982

SIRIUS SYSTEMS TECHNOLOGY, INC.		PART LIST	
ENHANCED NOP CLIP		REV P1	
100601		2 OF 3	



MAY 11 1982

PART NO. 100601		REV. 1	
DATE: _____		APPROVED: _____	
PART 1 OF 3			
SIRIUS SYSTEMS TECHNOLOGY, INC. 100601 ENHANCED NOP CLIP		DESIGNED BY: KRIS F. BLUBI CHECKED BY: _____ DATE: _____	
APPLICATION: _____ SEE NEXT SCALE DRAWING		PART NO. 100601 REV. 1 OF 3	

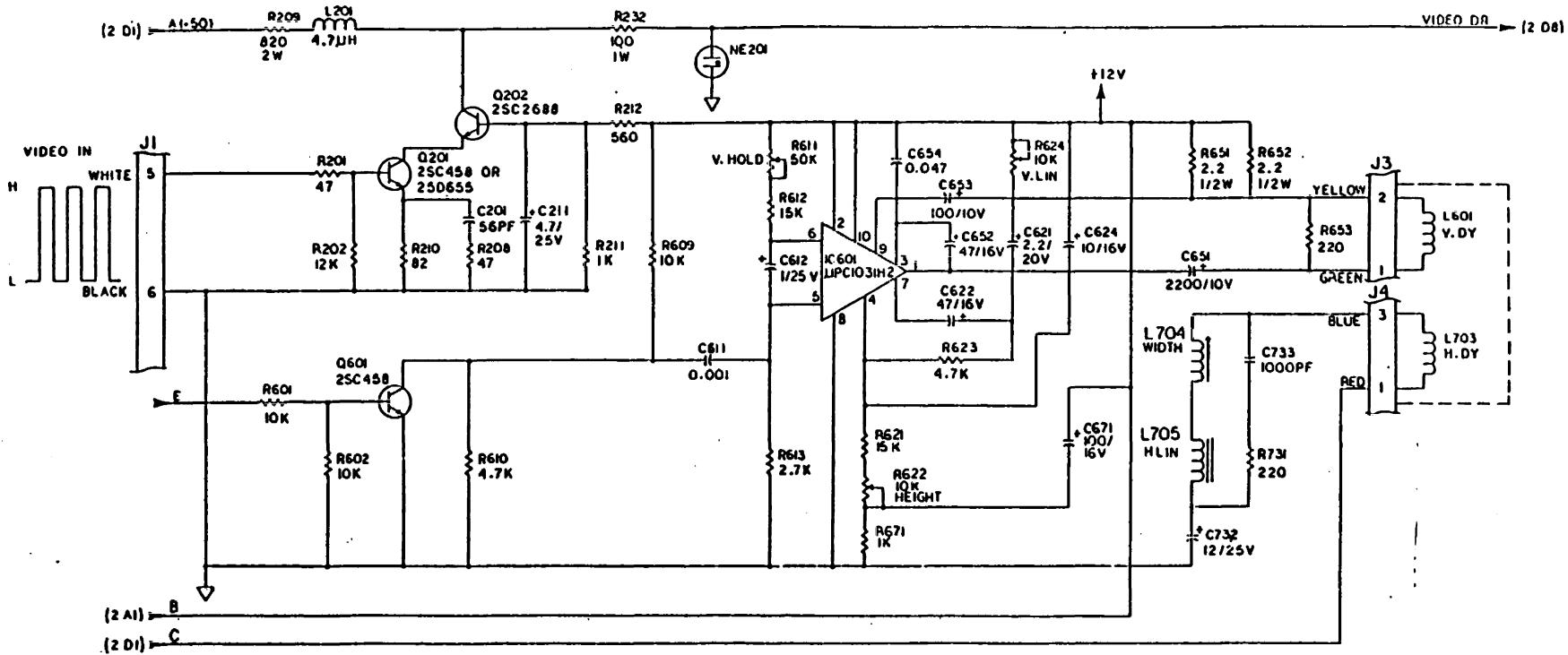


NOTES - UNLESS OTHERWISE SPECIFIED:
 1.) ELECTRICAL VALUES ARE IN OHMS, MICROFARADS,
 AND MICRORHENRIES.
 2.) ALL RESISTORS ARE ±5% 1/4W.

PARTS LIST		REVISIONS		DATE		BY		CHECKED	
U1, Q1									
J2, CR3									
C6, R17	R12, R13								
LAST USED	NOT USED								
REFERENCE DESIGNATORS	APPLICATION								

ALL THE DIMENSIONS SHOWN ON THIS DRAWING ARE IN INCHES UNLESS OTHERWISE SPECIFIED. DIMENSIONS IN PARENTHESES ARE FOR INFORMATION ONLY.		CONTRACT NO.	
APPROVED:		DATE:	
DRAWN:		CHECKED:	
DATE:		DATE:	
SCALE:		SCALE:	
DRAWN BY:		CHECKED BY:	
DATE:		DATE:	
SCALE:		SCALE:	

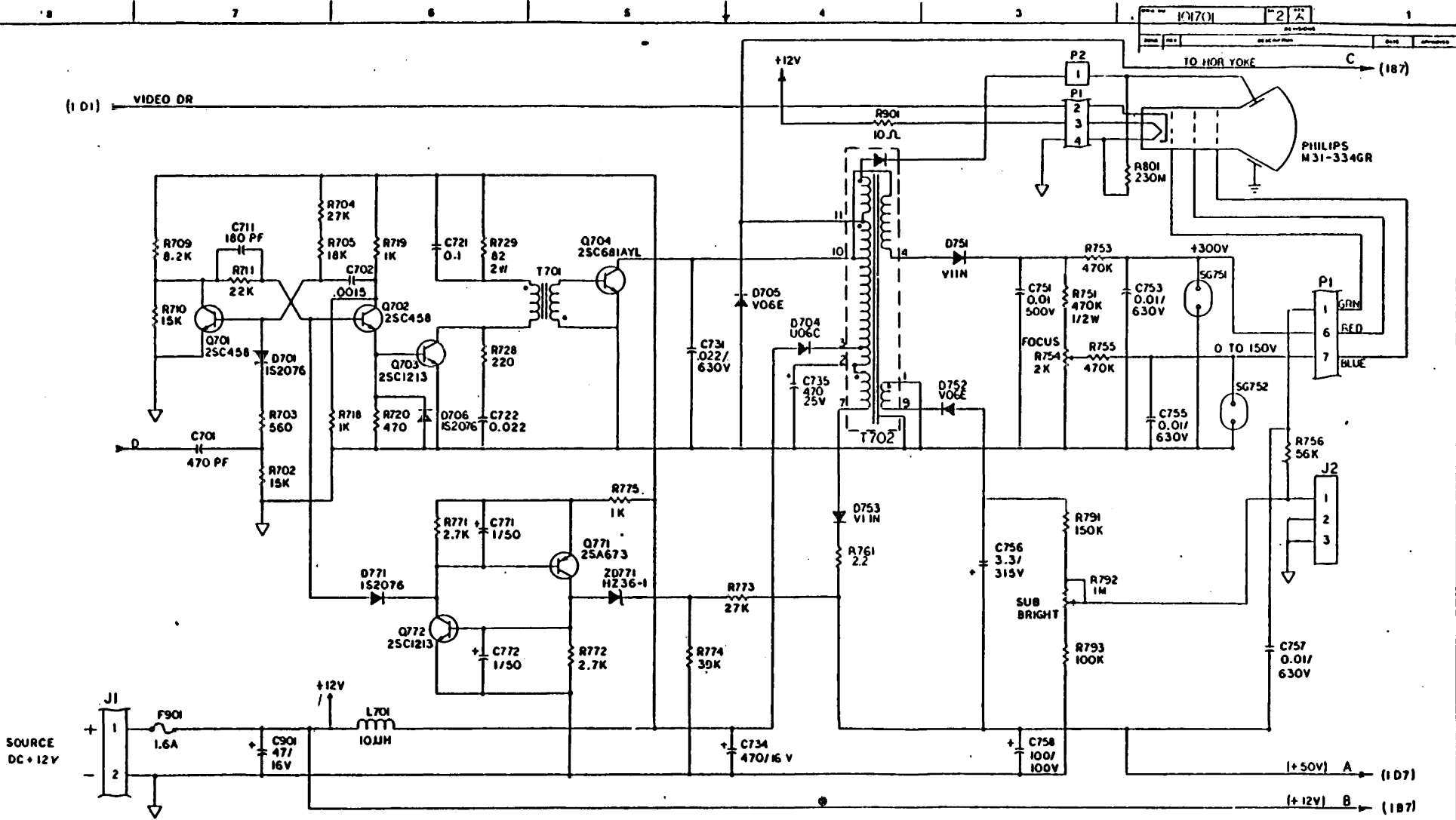
VICTOR ELECTRONICS, INC. VICTOR	
SCHEMATIC, AUDIO PREAMP	
PART NO. 1010G1	REV. A



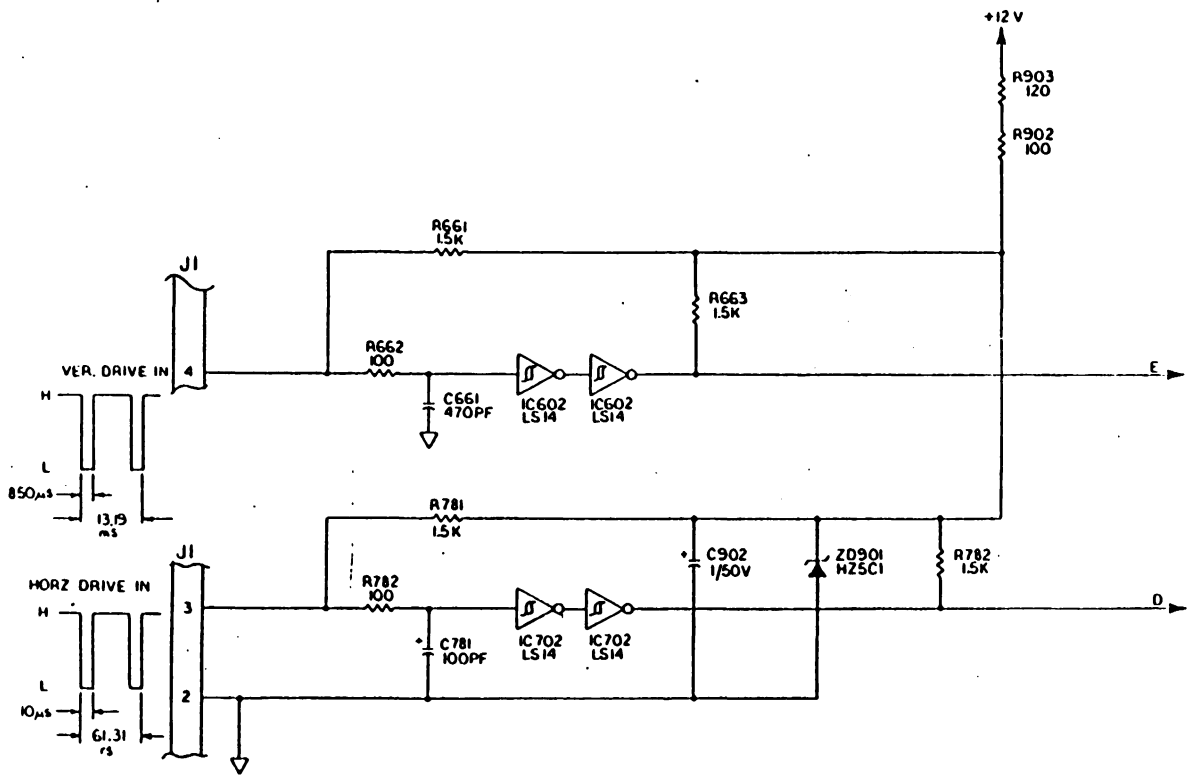
2 ALL RESISTORS ARE $\pm 5\%$ 1/4 W.
 1 ELECTRICAL VALUES ARE IN OHMS, MICROFARADS
 AND MICROHENRIES.
 NOTES: UNLESS OTHERWISE SPECIFIED.

LAST USED	NOT USED		
REFERENCE	DESIGNATIONS		

PARTS LIST		VICTOR	
SCHEMATIC VIDEO BOARD		101701	
DATE	BY	DATE	BY
2-1-62	LYDIA	8-9-61	LYDIA
2-1-62	LYDIA	8-9-61	LYDIA
DO NOT SCALE DRAWING		PAGE 1 OF 3	



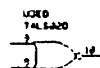
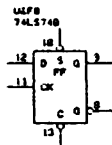
PART NO. 101701 REV. 2		DATE 12/26/64	
DRAWN BY 21126 CHECKED BY 21126		DESIGNED BY 21126	
APPLICATION VIDEO BOARD		DO NOT SCALE DRAWING	
VICTOR ELECTRONIC CORP. 101701		SCHEMATIC VIDEO BOARD	
SHEET 2 OF 3		PART NO. 101701	



DATE: 12/15/78 BY: [Signature] CHECKED BY: [Signature]		VICTOR SCHEMATIC VIDEO BOARD PART NO. 101701 SHEET 3 OF 3	
--	--	---	--

NOTE:

SPARE GATES



NOTE:

REFERENCE DESIGNATIONS

LAST USED
C18
R8
Z019

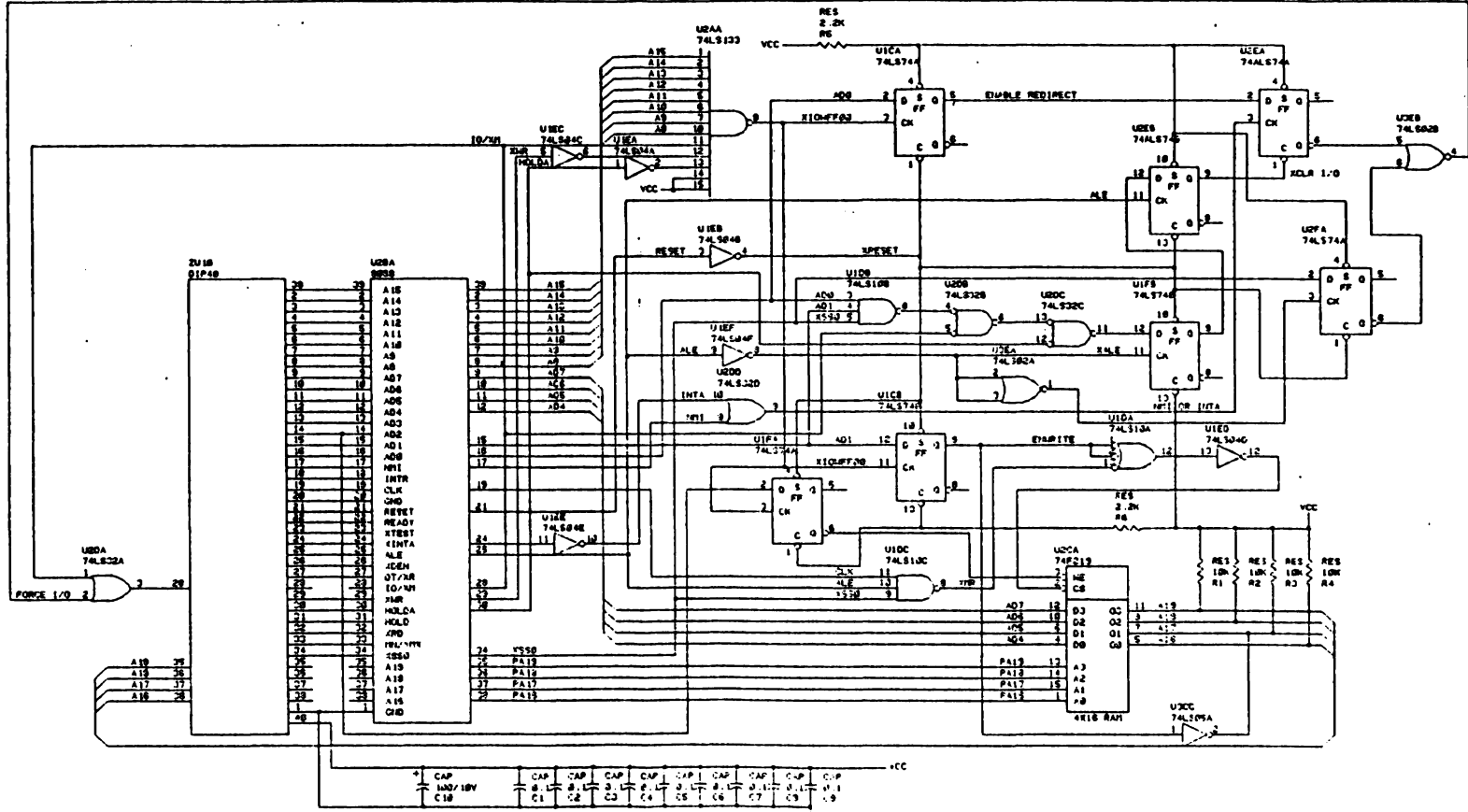
NOT USED

NOTE:

1. ELECTRICAL VALUES ARE IN OHMS, MICROSECONDS, AND MICROAMPERES.
2. ALL RESISTORS ARE 1/4W. 5%.
3. IC PINS ARE GND=1 VCC=14 EXCEPT FOR:

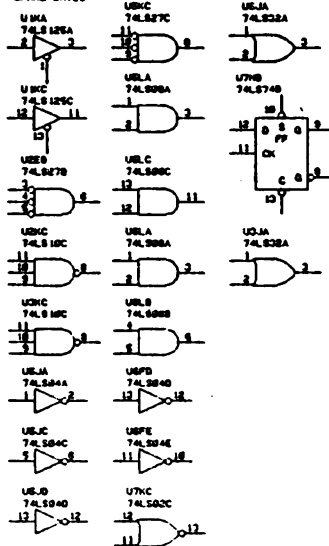
DEVICE	GND	VCC
6088	1,20	43
74LS133	8	16
74F219	8	16

CONTRACT		VECTOR TECHNOLOGIES	
GR		HAFPER/HMI IRQ SCHEMATIC	
CHK			
ENG			
APPD			
NEXT REVISION	ISSY	SIZE	FIG. NO. DWG. NO. 100001
11/18/83			



NOTE:

SPARE GATES



NOTE:

REFERENCE DESIGNATIONS

- LAST USED
 C32
 R13
 TP1
 J3
 JAO
 M2
 ZP1
 CR2
 NOT USED
 NS
 C12
 C22

NOTE:

- ELECTRICAL VALUES ARE IN OHMS, MICROGRAMS, AND MICROSECONDS.
- ALL RESISTORS ARE 1/4W, 5% EXCEPT FOR:

DEVICE	OHM	VCC
74LS136	0	16
74LS773	18	20
74LS163	0	16
74LS244	10	20
8118	12	24
74LS245	10	20
74LS278	0	16
8257	20	31
2784	14	20

ROM JAMPER SELECTION

LOC	JAM	JAD
2732	264	148
2764	142	268
27128	142, 148	248
27268	142, 148	448

LOC

LOC	JAM
2732	264
2764	142
27128	142, 148
27268	142, 148

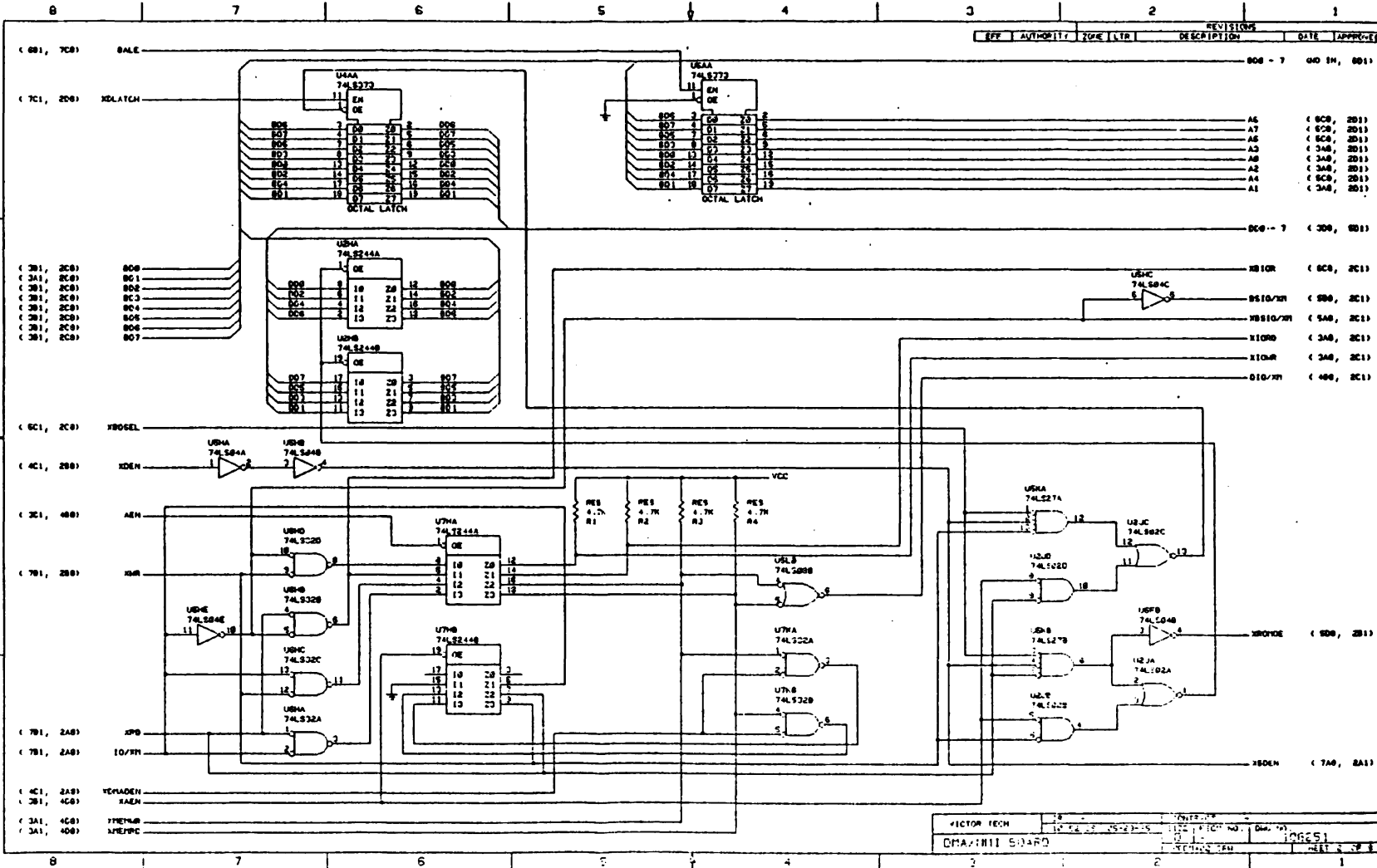
HARD DISK JAMPER SELECTION

HARD DISK	HDR HARD DISK
MS: 148	MS: 243
MS: 0/7	MS: 142

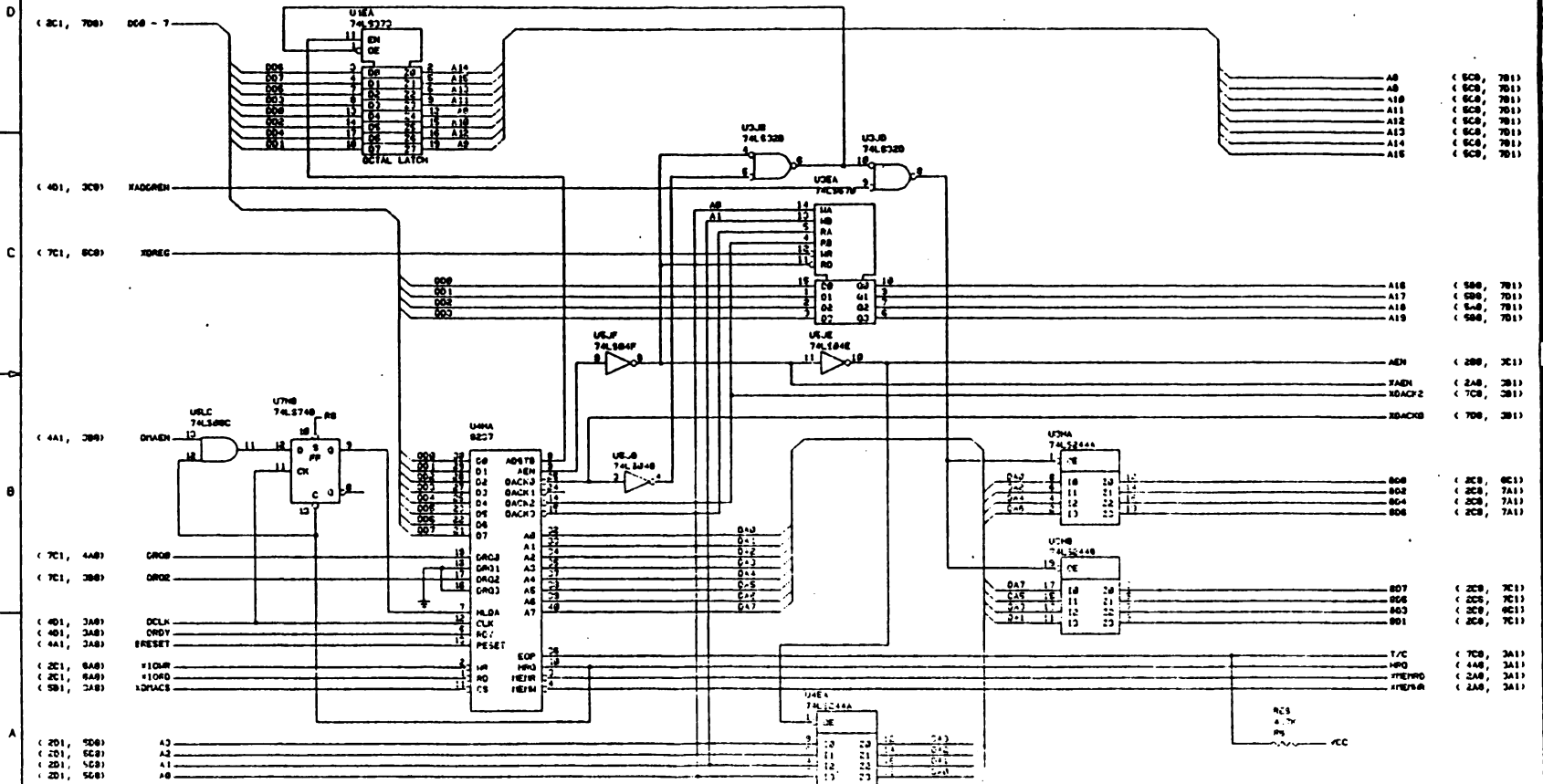
FOR TEST JAMPER TP1 TO

ENABLE DRAM PAGE REGISTER WRITES AT 10 LOC 28H

CONTRACT		VICTOR TECHNOLOGIES	
DR	A. LARSEN	DATE	2/1/84
CHK		D14/M11 BOARD SCHEMATICS	
BY			
APPD			
TEST NUMBER	10625	SIZE	8 1/2 X 11
DATE	12/20/83	FRONT NO	0
		DRG NO	10625
		SHEET 1 OF 1	



REVISIONS				
REV	AUTHORITY	DATE	DESCRIPTION	APPROVED
808 - 7		060 1M, 8011		
A6		(808, 201)		
A7		(808, 201)		
A8		(808, 201)		
A3		(348, 201)		
A6		(348, 201)		
A2		(348, 201)		
A4		(808, 201)		
A1		(348, 201)		



(2C1, 708) DCB - 7
 (4D1, 3C8) HADGREN
 (7C1, 8C8) XOREG
 (4A1, 3B8) DVAEN
 (7C1, 4A8) GROW
 (7C1, 3B8) GROW
 (4D1, 3A8) DCLK
 (4D1, 3A8) DRODY
 (4A1, 3A8) RESET
 (2C1, 6A8) #ICM
 (2C1, 6A8) #IORD
 (5B1, 3A8) #PLACS
 (2D1, 5C8) A3
 (2D1, 5C8) A2
 (2D1, 5C8) A1
 (2D1, 5C8) A0

A8 (5C8, 7B1)
 A8 (6C8, 7B1)
 A10 (6C8, 7B1)
 A11 (6C8, 7B1)
 A12 (6C8, 7B1)
 A13 (6C8, 7B1)
 A14 (6C8, 7B1)
 A16 (6C8, 7B1)

A16 (588, 7B1)
 A17 (688, 7B1)
 A18 (5A8, 7B1)
 A19 (588, 7B1)

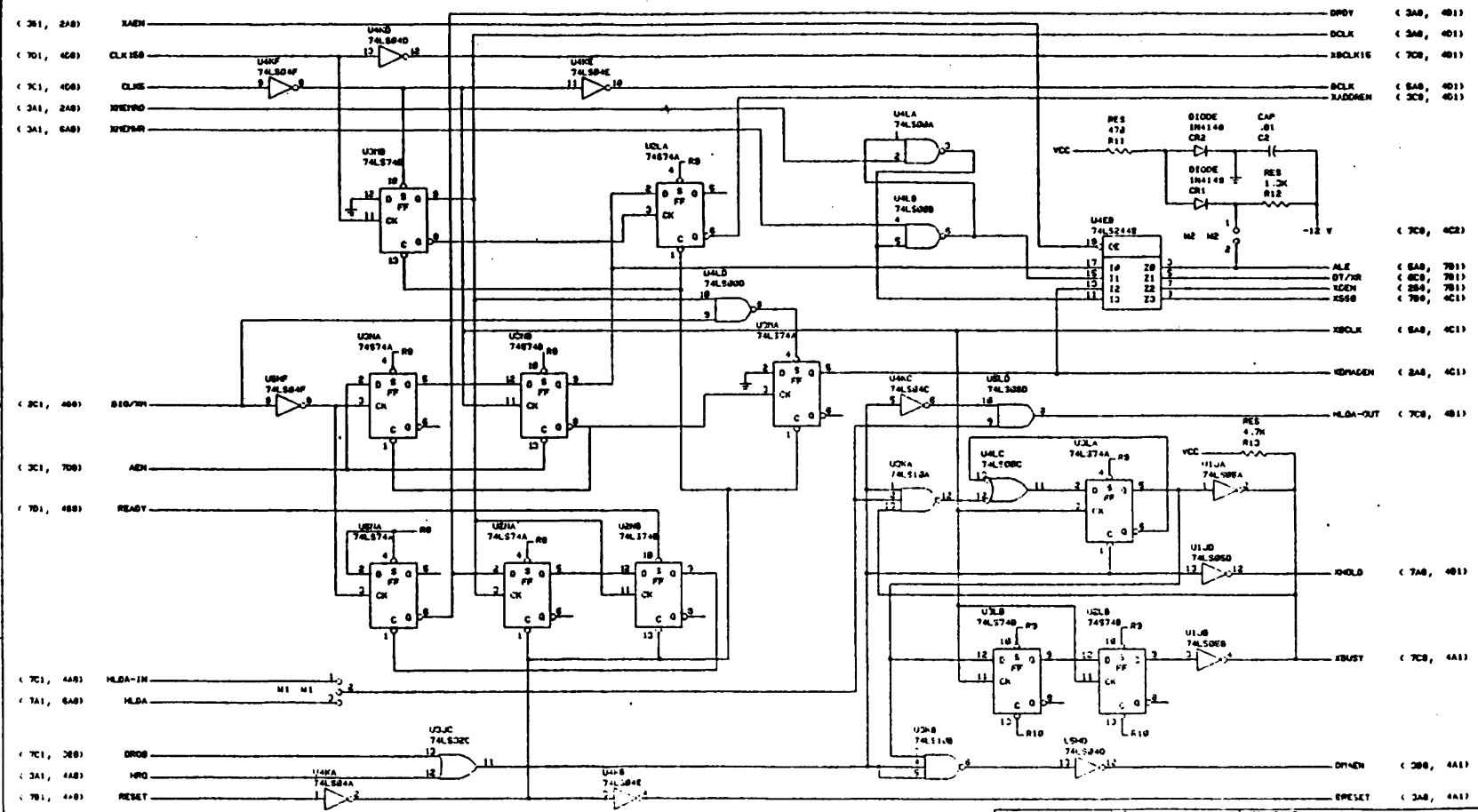
AEN (288, 3C1)
 #ADN (2A8, 3B1)
 #OACP2 (7C8, 3B1)
 #OACR0 (7D8, 3B1)

B08 (2C8, 8C1)
 B09 (2C8, 7A1)
 B04 (2C8, 7A1)
 B06 (2C8, 7A1)

B07 (2C8, 7C1)
 B06 (2C8, 7C1)
 B03 (2C8, 7C1)
 B01 (2C8, 7C1)

T/C (7C8, 3A1)
 #RD (4A8, 3A1)
 #RNRD (2A8, 3A1)
 #RNRB (2A8, 3A1)

REVISED		DATE	APPROVED
OFF	AUTHORITY	ZONE (L, R, T)	DESCRIPTION



000 - 7 (300, 8C1)

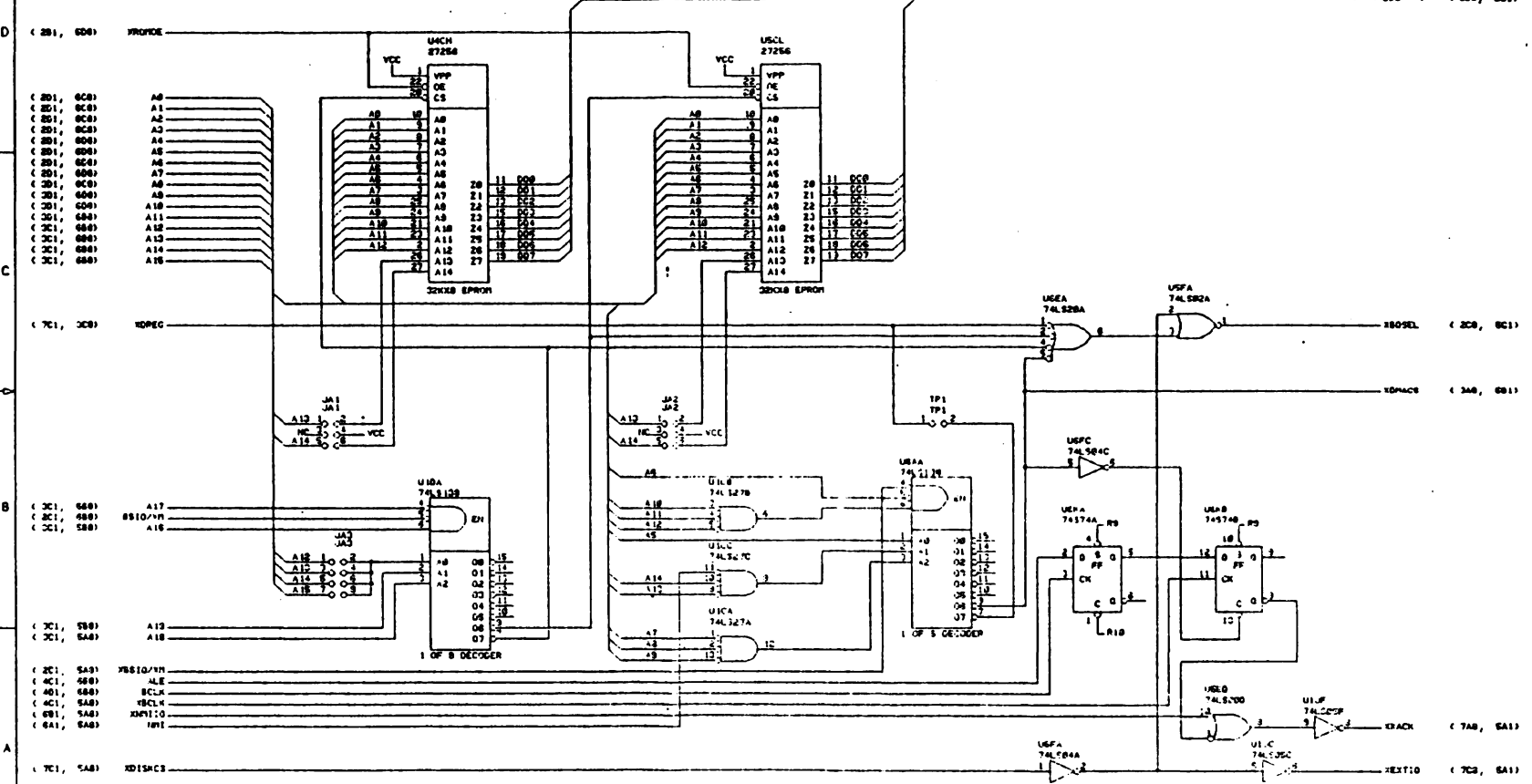
(201, 6C0)
A0
(201, 6C0)
A1
(201, 6C0)
A2
(201, 6C0)
A3
(201, 6C0)
A4
(201, 6C0)
A5
(201, 6C0)
A6
(201, 6C0)
A7
(201, 6C0)
A8
(201, 6C0)
A9
(201, 6C0)
A10
(201, 6C0)
A11
(201, 6C0)
A12
(201, 6C0)
A13
(201, 6C0)
A14
(201, 6C0)
A15

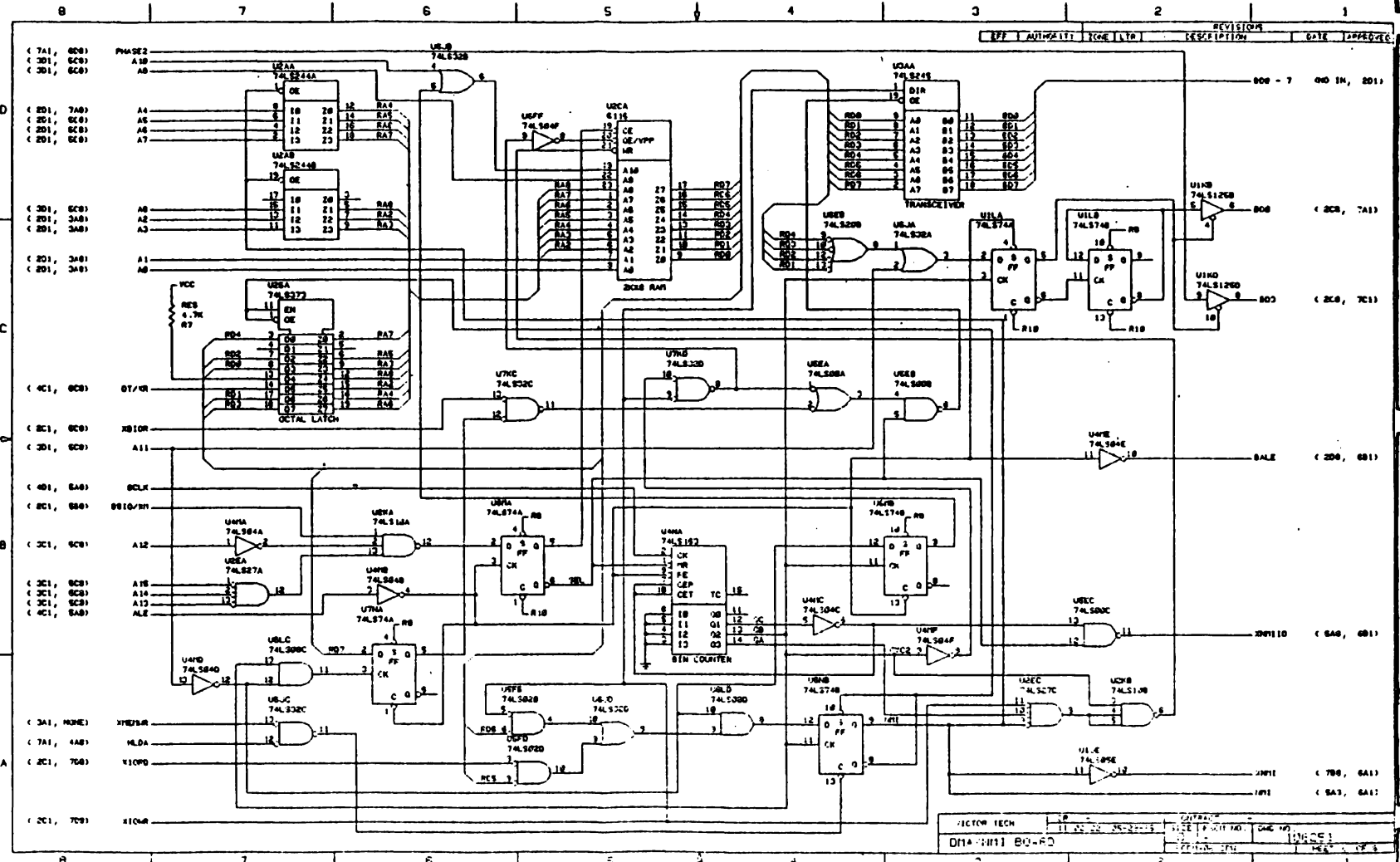
(7C1, 3C0)
RDPEC

(2C1, 6B0)
BS10/YH
(2C1, 6B0)
A16
(2C1, 5B0)
A12
(2C1, 5A0)
A18

(2C1, 5A3)
PB10/YH
(4C1, 5B0)
ALE
(4C1, 6B0)
BCLK
(4C1, 5A0)
TCLK
(6B1, 5A0)
XMP1:0
(6A1, 5A0)
INT

(7C1, 5A0)
XD15/C0

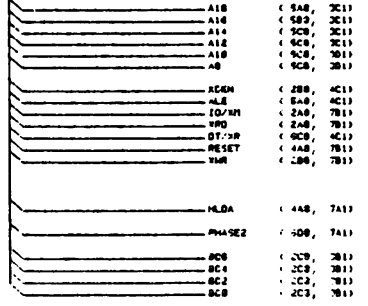
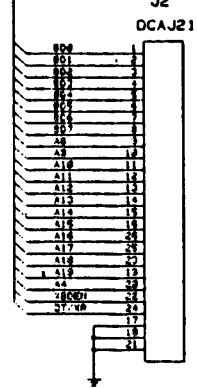
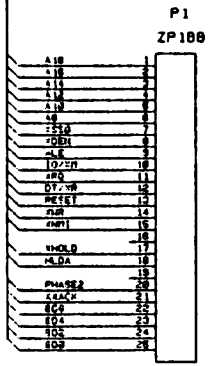
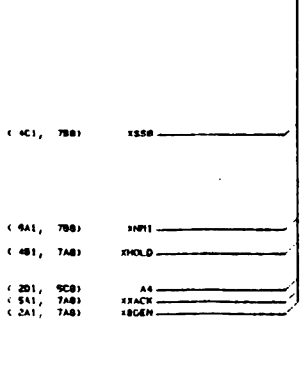
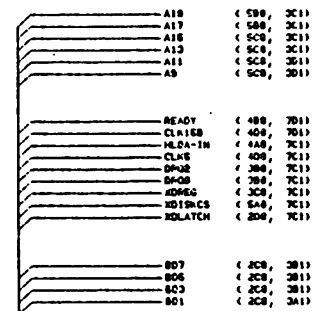
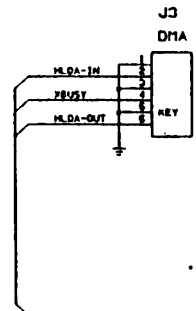
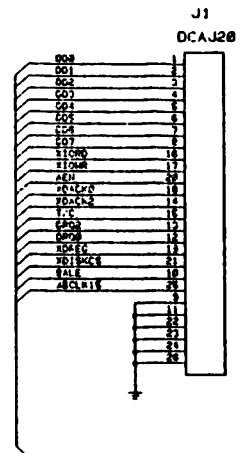
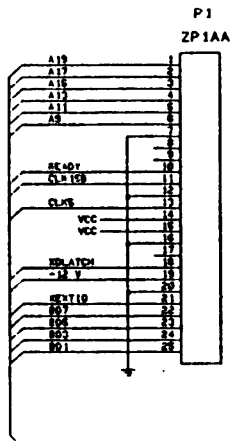
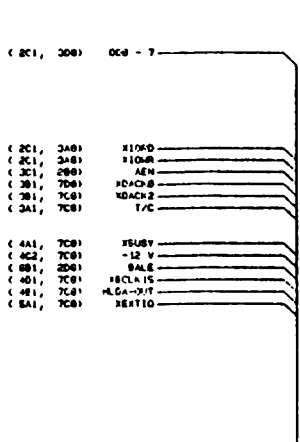




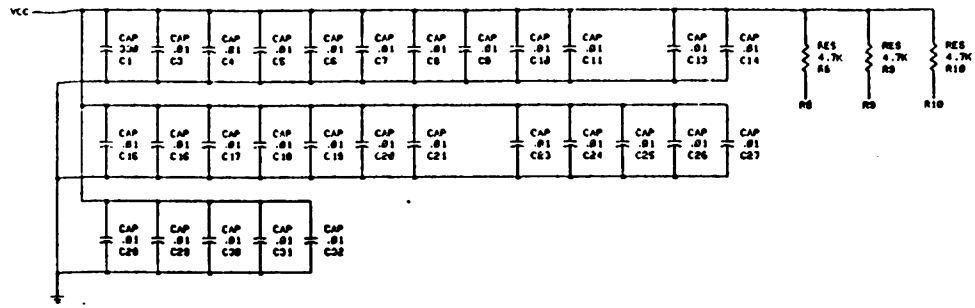
REVISION			
NO.	DATE	DESCRIPTION	APPROVED
1			

SECTION TECH: 11-02-22 20-22-15
 DRAWING NO: D14-1111 BQ-10
 DATE: 11-02-22
 SHEET NO: 1 OF 1
 TITLE: 11-02-22 20-22-15

REVISIONS				DATE	APPROVED
EFF	AUTHORITY	SOME LVR	DESCRIPTION		



REVISED		DATE		APPROVED	
EFF	AUTHORITY	ZONE	LYR	DESCRIPTION	

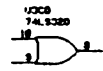
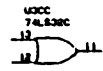
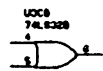


VICTOR TECH	CR	FORM NO.
11-07-36	15-2-2-5	DRG NO.
01A-1011 BOARD		108-751
	FORM NO. 504	SHEET 2 OF 3

REV. NO.		DATE		APPROVED	
EFF	AUTHORITY	ZONE	LTR	DESCRIPTION	

NOTE:

SPARE GATES



NOTE:

REFERENCE DESIGNATIONS

LAST USED

- C88
- C86
- E4
- J21
- L4
- R3
- R1
- R46
- TP2
- Y1

NOT USED

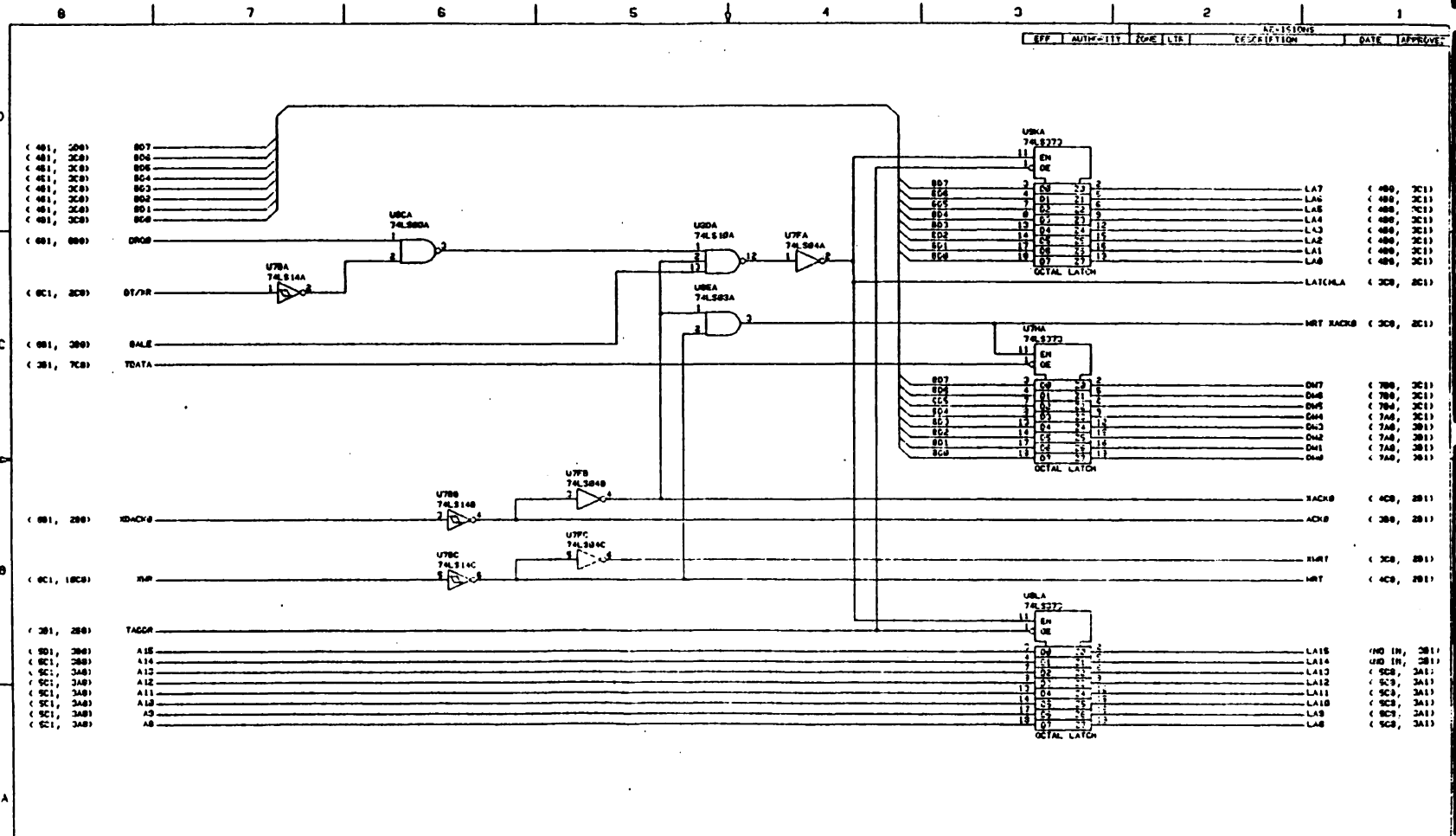
- C3
- C10
- C32
- E1
- E2
- J19
- TP1
- R1, R19

NOTE:

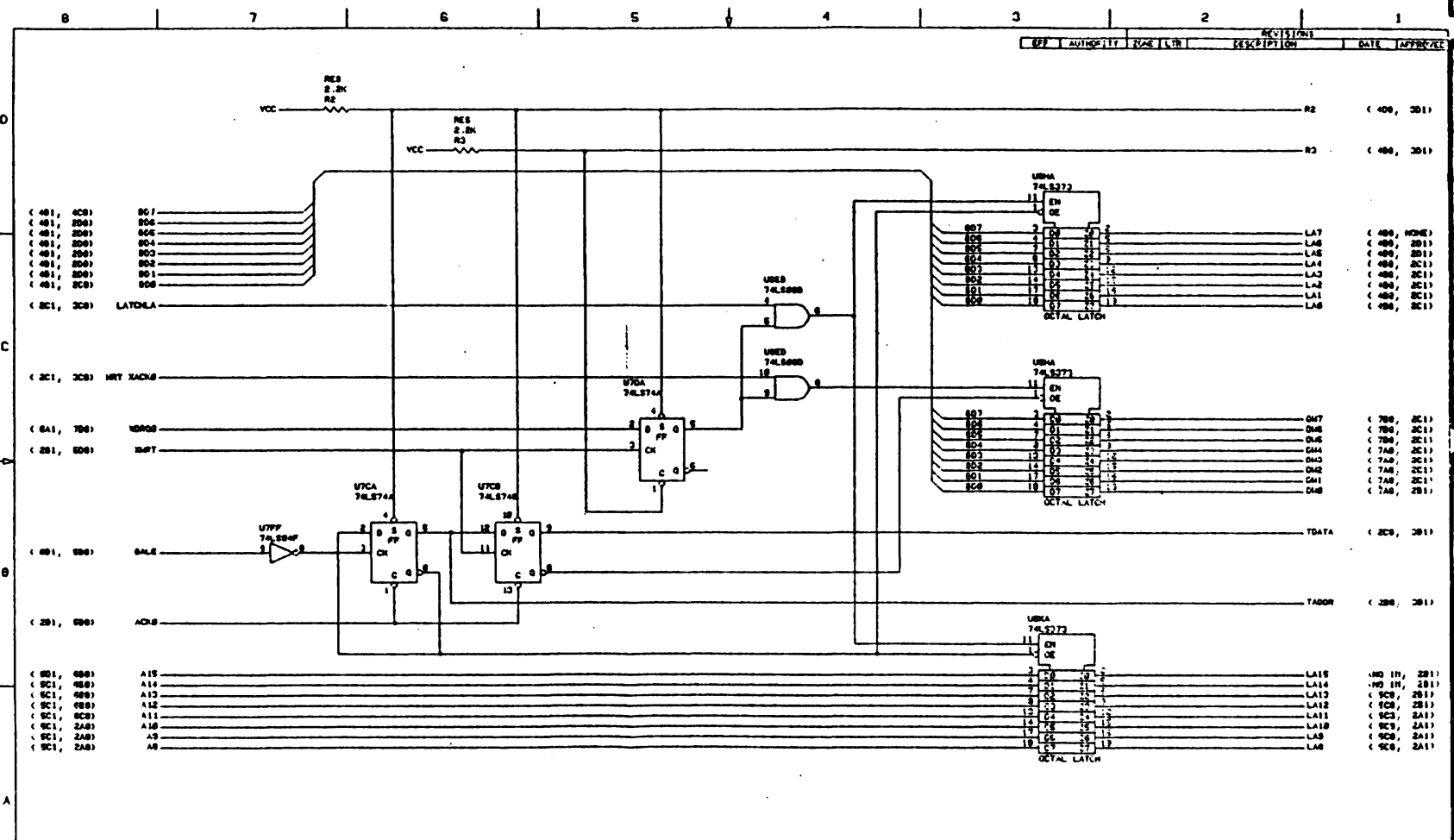
1. ELECTRICAL VALUES ARE IN OHMS, MICROFARADS, AND MICROMETERIES.
2. ALL RESISTORS ARE 1/4W, 5%.
3. IC PINS ARE: GND=7 VCC=14 EXCEPT FOR:

DEVICE	GND	VCC	VDD
1770	14	15	
2716	12	24	
4046	0		12
6526	1	20	
74LS123	0	16	
74LS129	0	16	
74LS167	0	16	
74LS273	16	20	
74LS374	16	20	
8075	20	40	
8253	12	24	
LS200	16	0	

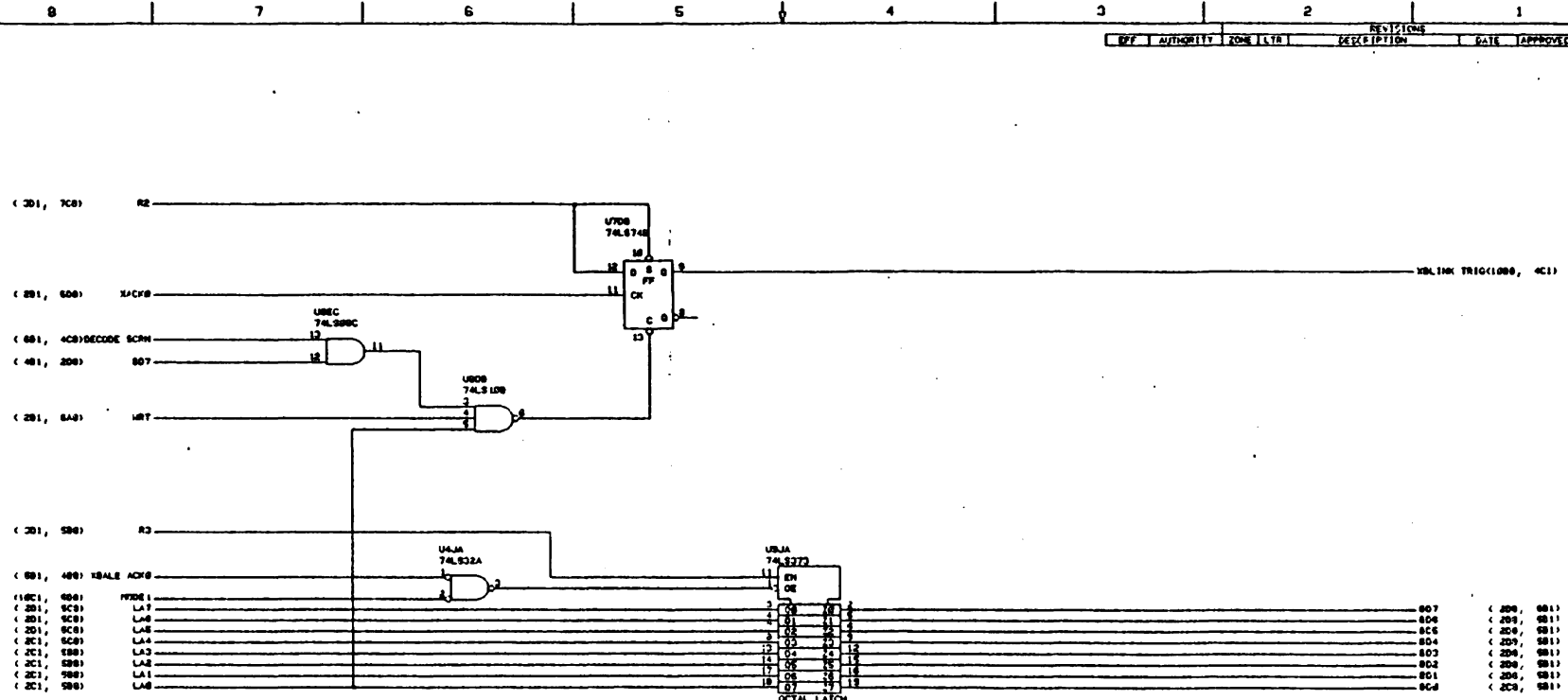
EQUIPMENT		VICTOR TECHNOLOGIES	
DR		PLUS700 DCA/DISPLAY	
CHK			
ENG			
APPD			
DATE	12/03/88	SIZE	FROM NO. 136001
REV	1	CAGE NO.	136001

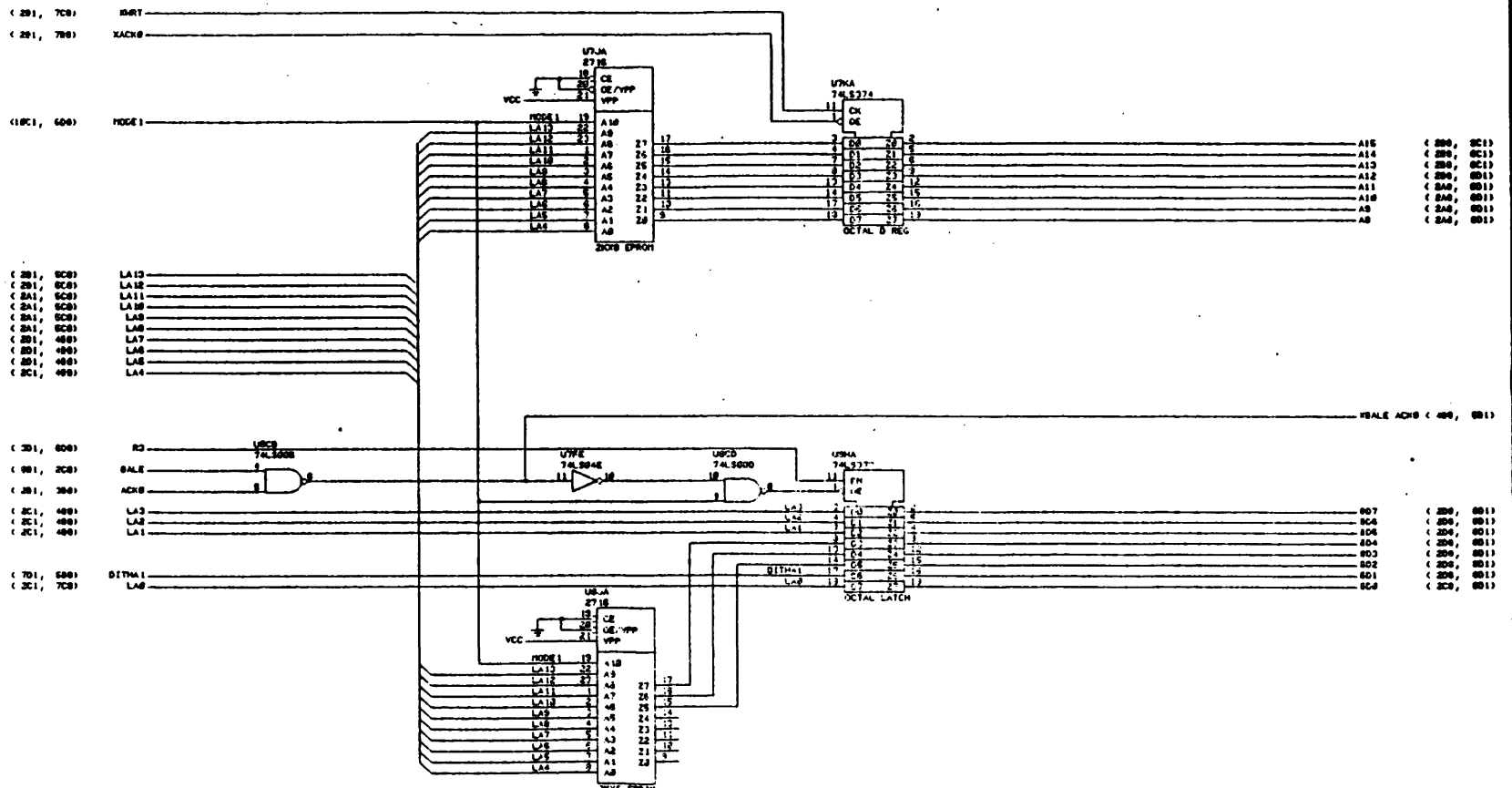


REVISIONS		DATE	APPROVER
001	AUTHORITY	DATE	L/R
DESCRIPTION			



VICTOR TECH	13 JUN 76	DESIGNED BY	DATE
PLUSPC OCA DISPLAY	13 JUN 76	CHECKED BY	DATE
		APPROVED BY	DATE



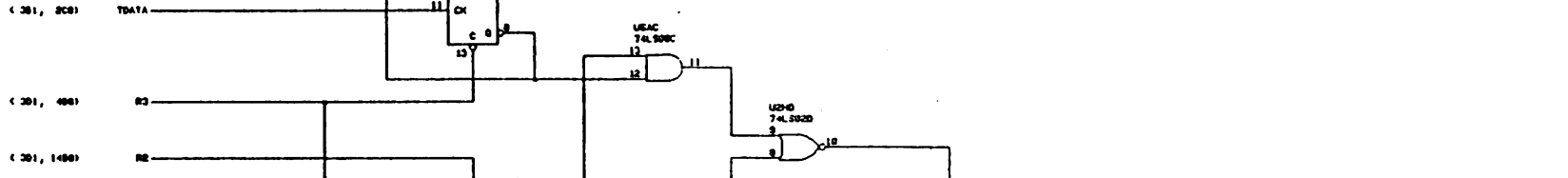


REVISIONS		DATE	APPROVE
REF	AUTHORITY	DATE	DESCRIPTION

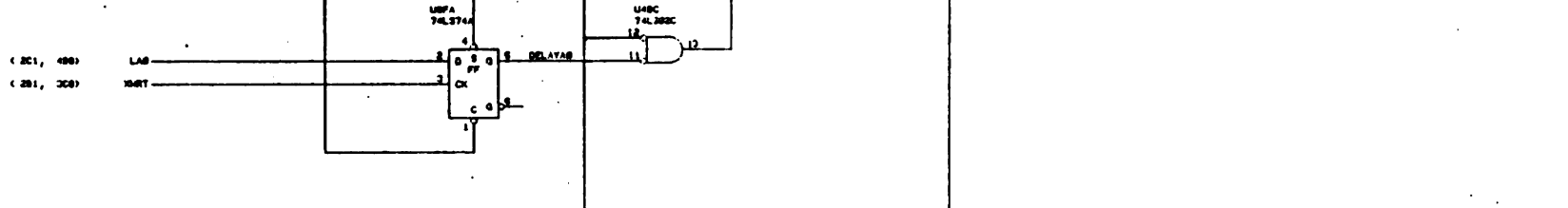
D



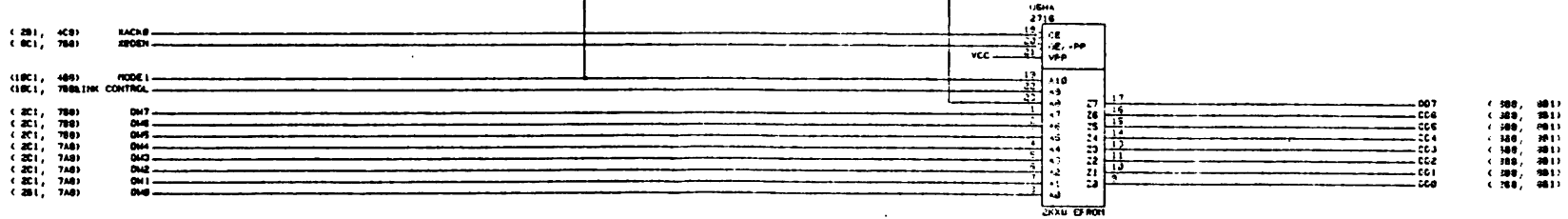
C



B

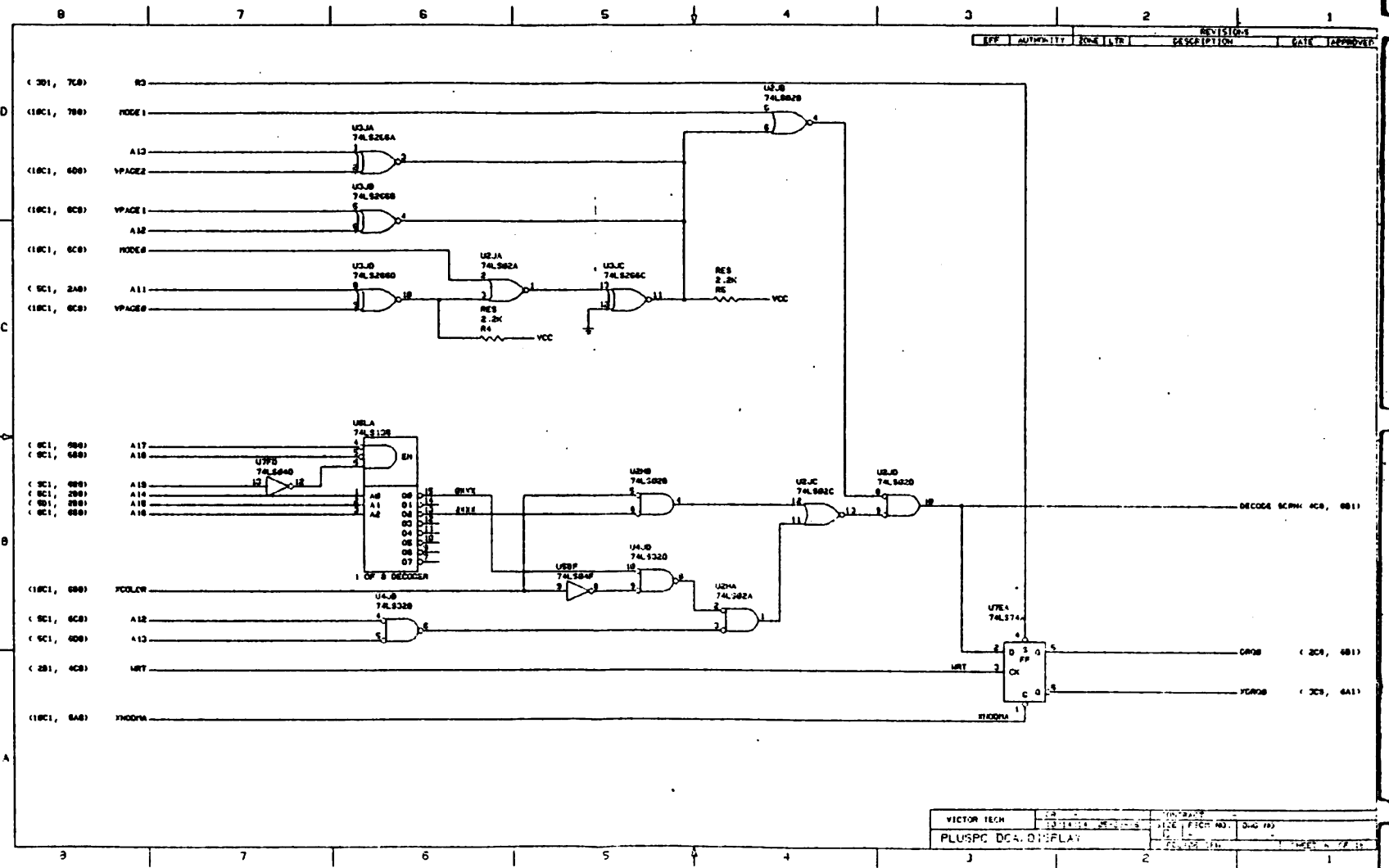


A

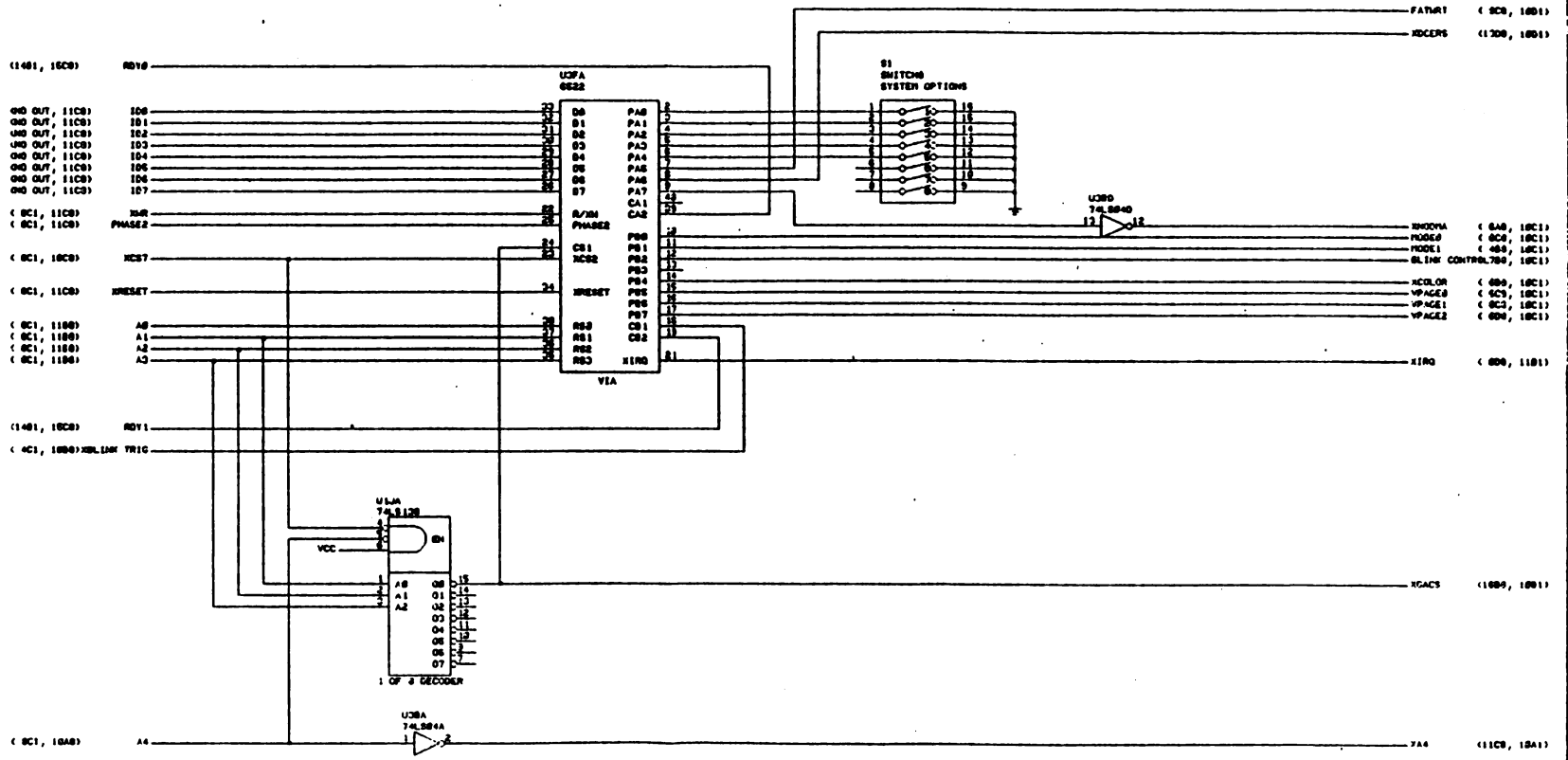


- (6A1, 3C8) XDR08
- (301, 2C8) TDATA
- (301, 6B1) B2
- (301, 14B1) RE
- (2C1, 6B1) LAB
- (2B1, 3C8) XDR7
- (2B1, 4C8) SACKB
- (2C1, 7B1) XRDEN
- (18C1, 6B1) XRDEN1
- (18C1, 7B1) XRDEN1 CONTROL
- (2C1, 7B1) DM7
- (2C1, 7B1) DM6
- (2C1, 7B1) DM5
- (2C1, 7A8) DM4
- (2C1, 7A8) DM3
- (2C1, 7A8) DM2
- (2C1, 7A8) DM1
- (2B1, 7A8) DM0

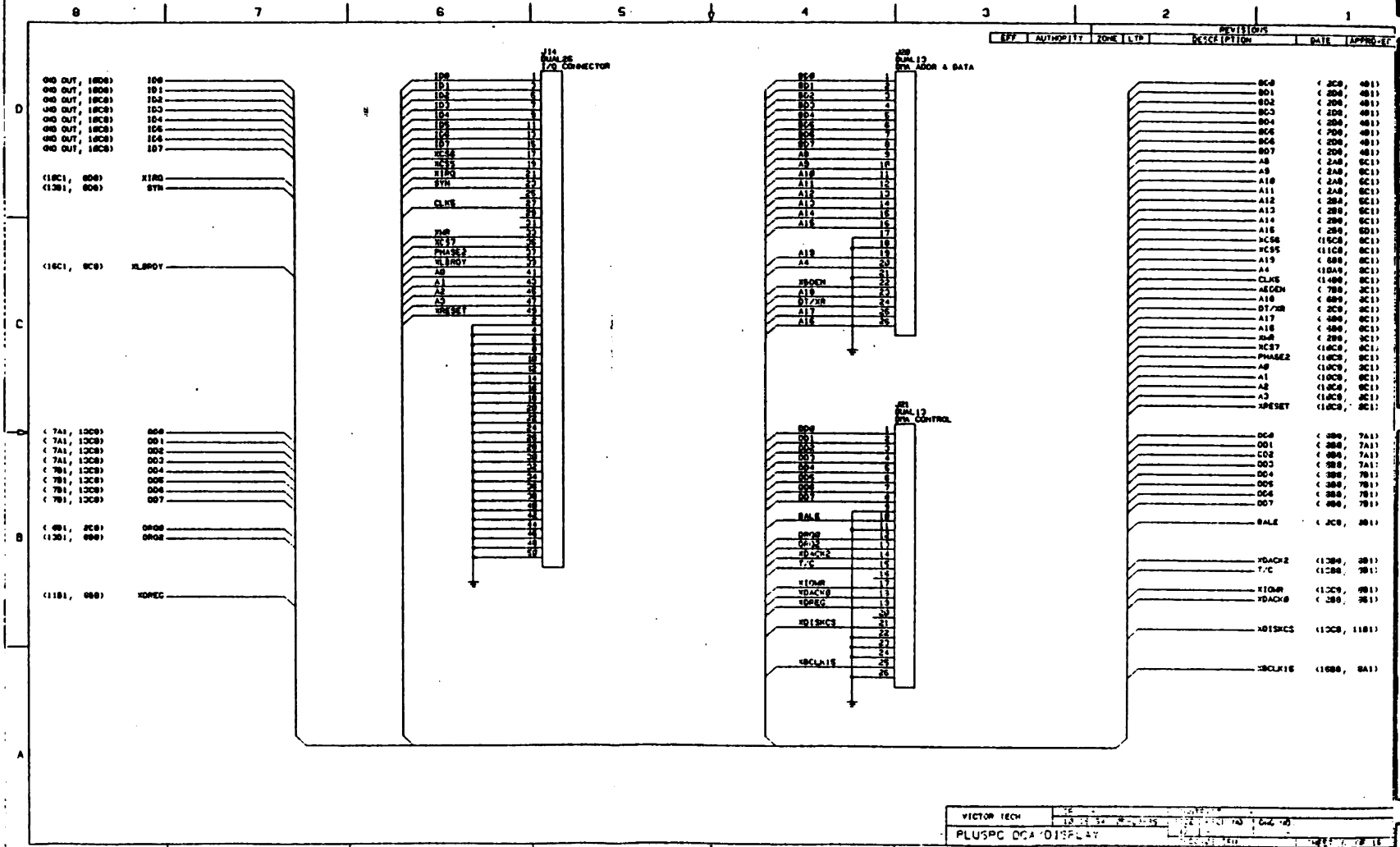
VECTOR TECH	DATE	DESCRIPTION	DATE	DESCRIPTION
PLUSPC	06/01/84			



REVISIONS				
EFF	AUTHORITY	DATE	DESCRIPTION	APPROVED

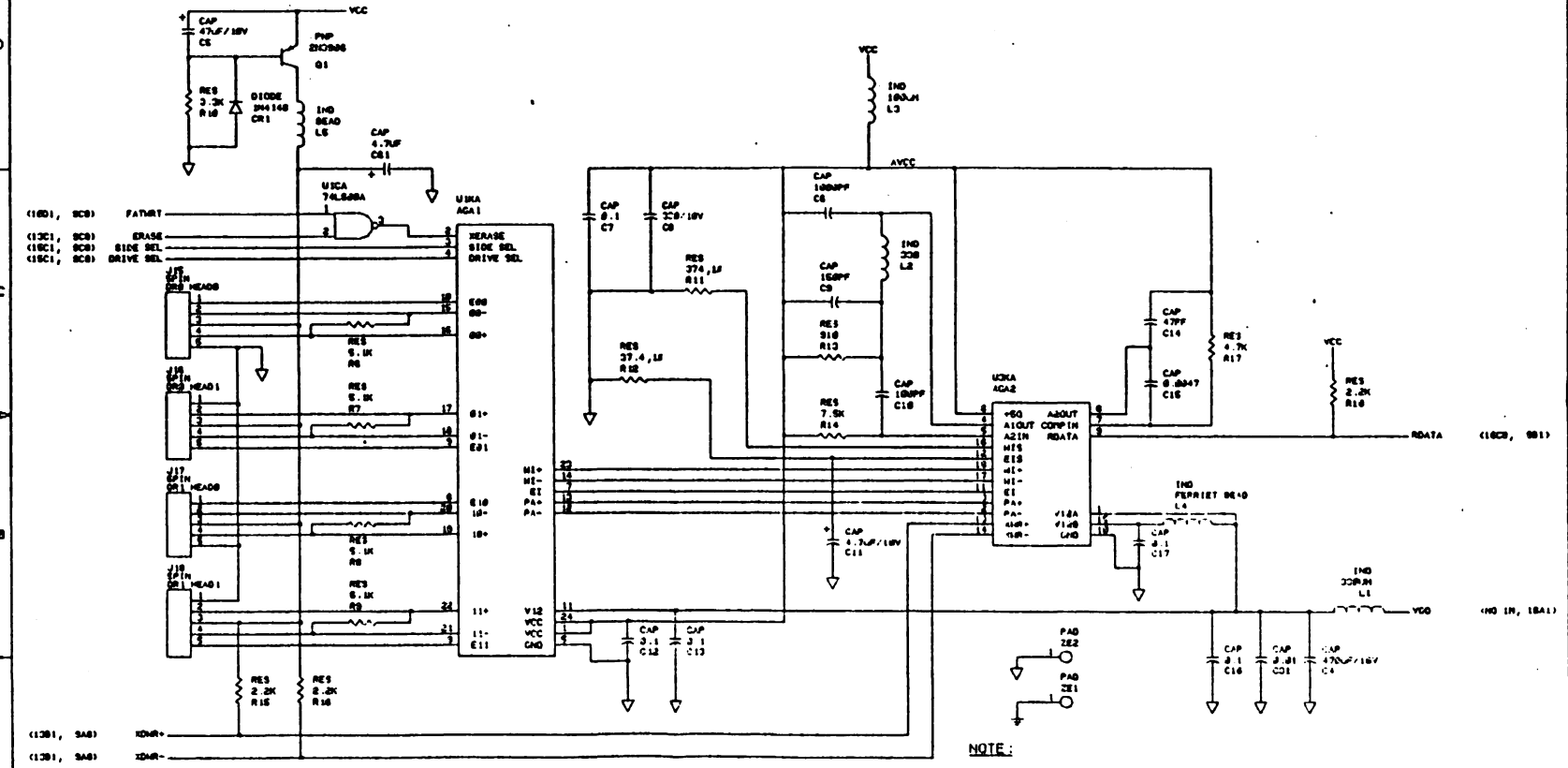


VICTOR TECH	DR -	DATE	REV.	SHEET NO. 18
PLUSPC 604 DISPLAY	13	01/01/85	1	



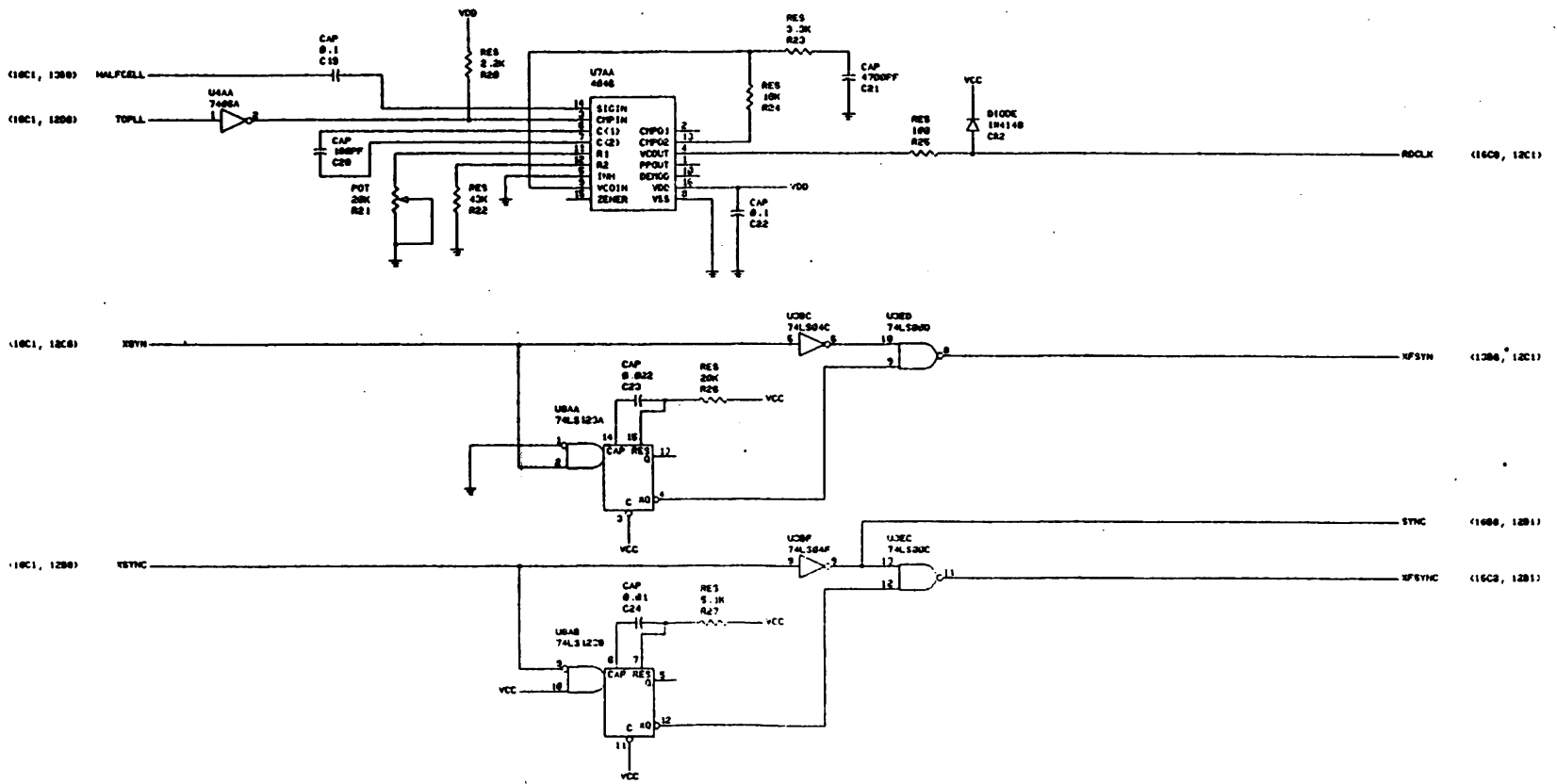
REV	AUTHORITY	ZONE	LTR	DESCRIPTION	DATE	APPROV
-----	-----------	------	-----	-------------	------	--------

VICTOR TECH 12-22-54
 PLUSPC OCA DISPLAY
 Doc No 10
 12-22-54

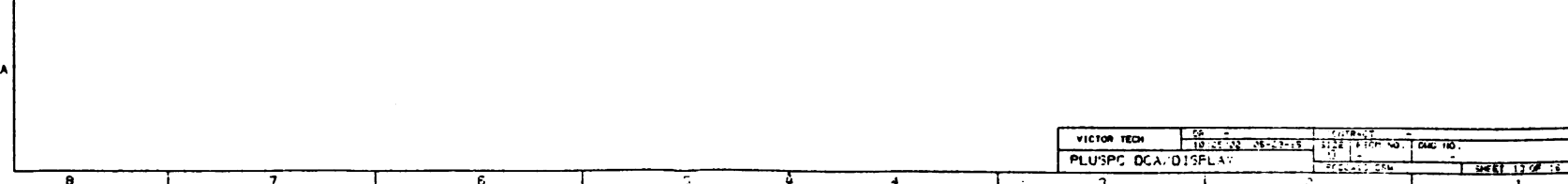
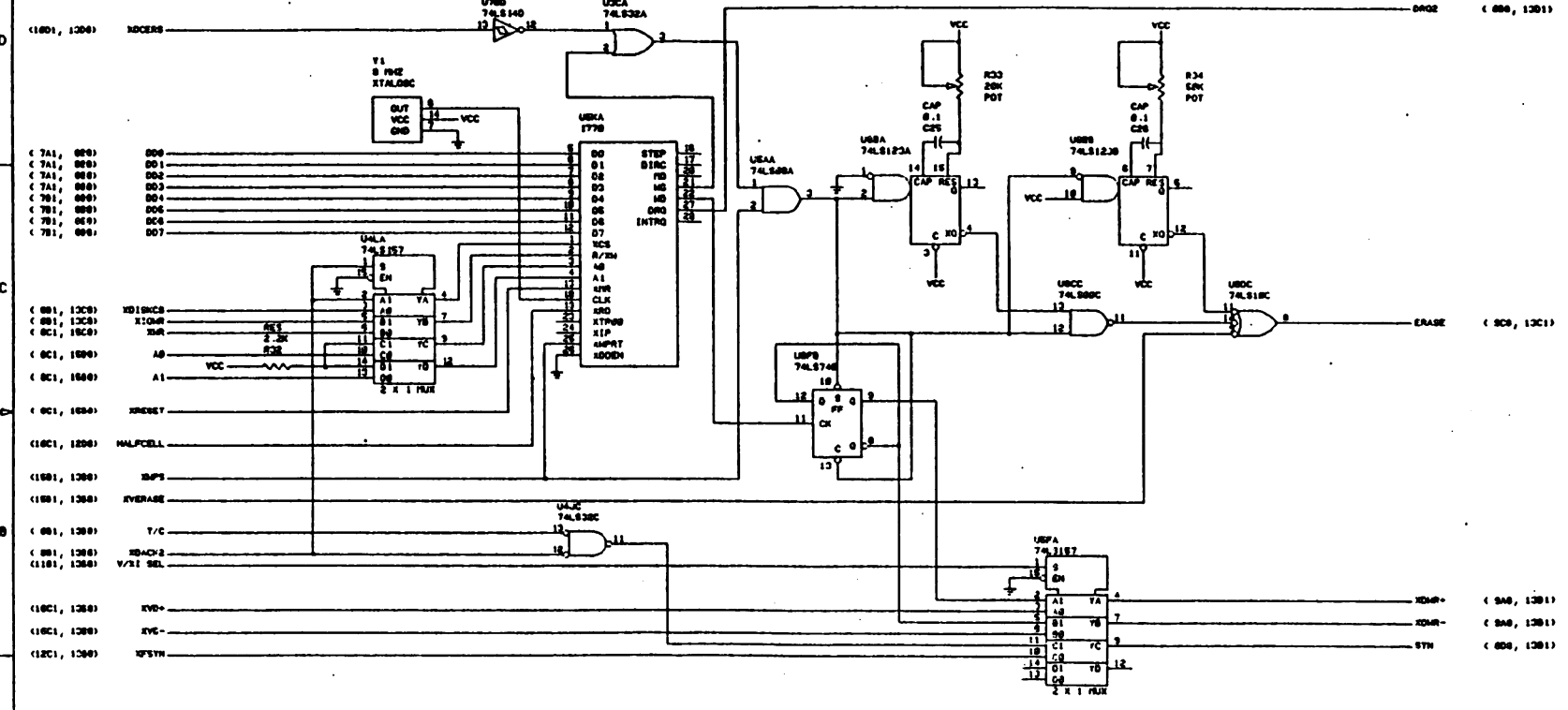


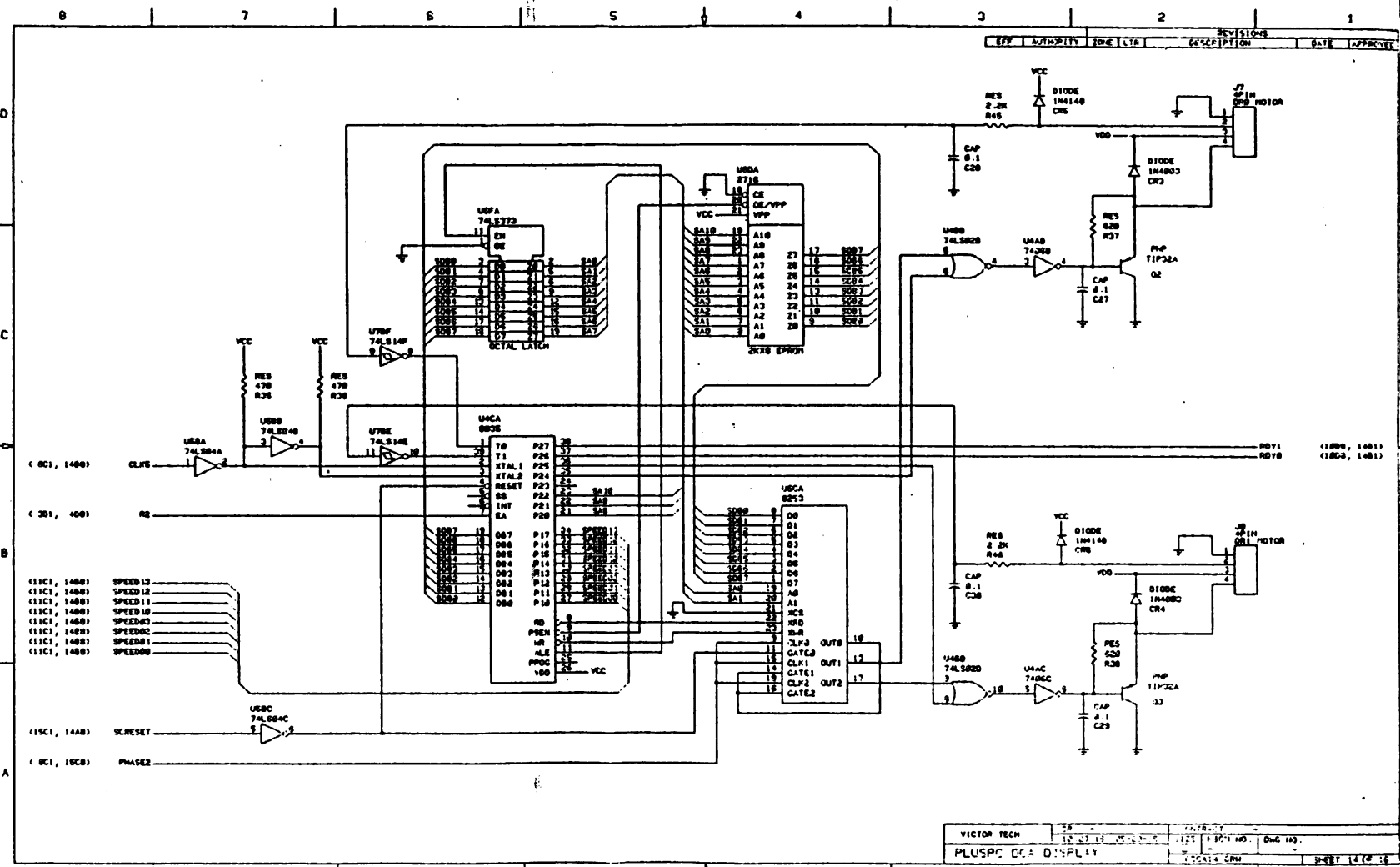
NOTE:
1. Z1 CONNECTED TO Z2 BY TRACE OR INDUCTOR

REVISED			DATE	DESCRIPTION	BY	APPROVE
EFF	AUTHORITY	ZONE	DATE	DESCRIPTION	BY	APPROVE

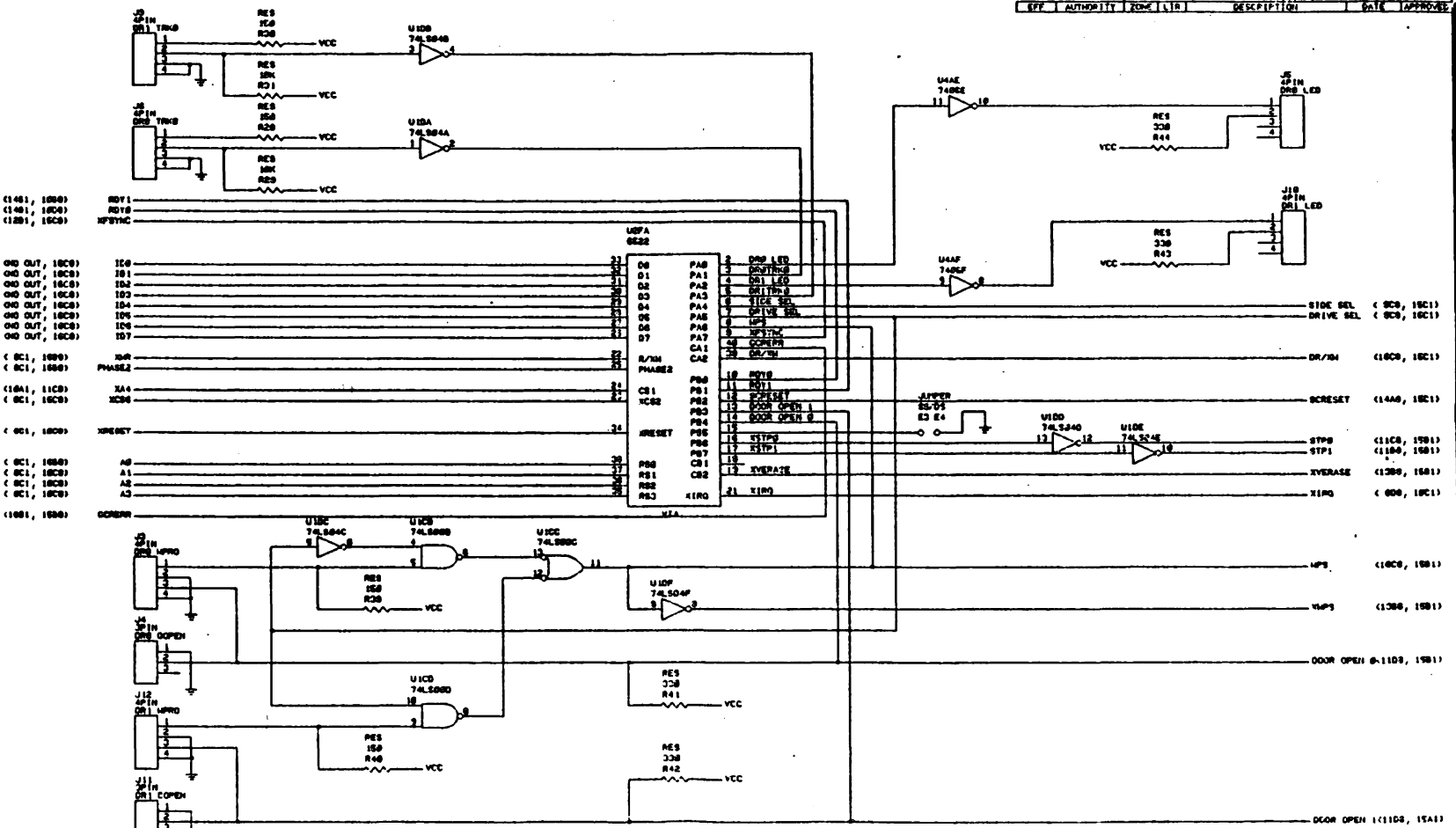


REVISIONS			
REV	AUTHORITY	DATE	DESCRIPTION





REVISED		DATE	APPROVED
EFF.	AUTHORITY	ZONE (LIR)	DESCRIPTION



(148), (104)
RDY1
(148), (104)
RDY2
(128), (104)
NFSYNC

OH OUT, (10C)
101
OH OUT, (10C)
102
OH OUT, (10C)
103
OH OUT, (10C)
104
OH OUT, (10C)
105
OH OUT, (10C)
106
OH OUT, (10C)
107

(8C), (100)
M4
(8C), (100)
PHASE2

(10A), (11C)
M4
(8C), (10C)
M4

(8C), (100)
XRESEY

(8C), (104)
A8
(8C), (10C)
A1
(8C), (10C)
A2
(8C), (10C)
A3

(10B), (104)
OCDREN

DOOR OPEN (1100, 15A1)

REV	DATE	DESCRIPTION	APPROVED

