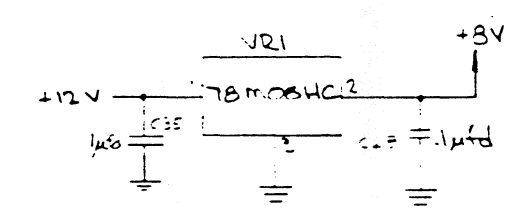
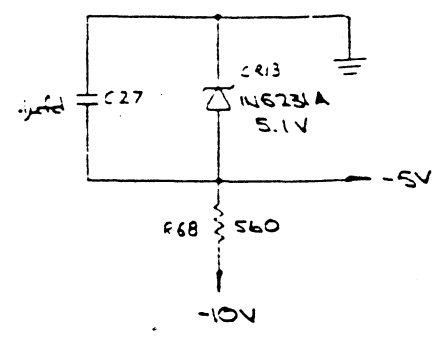
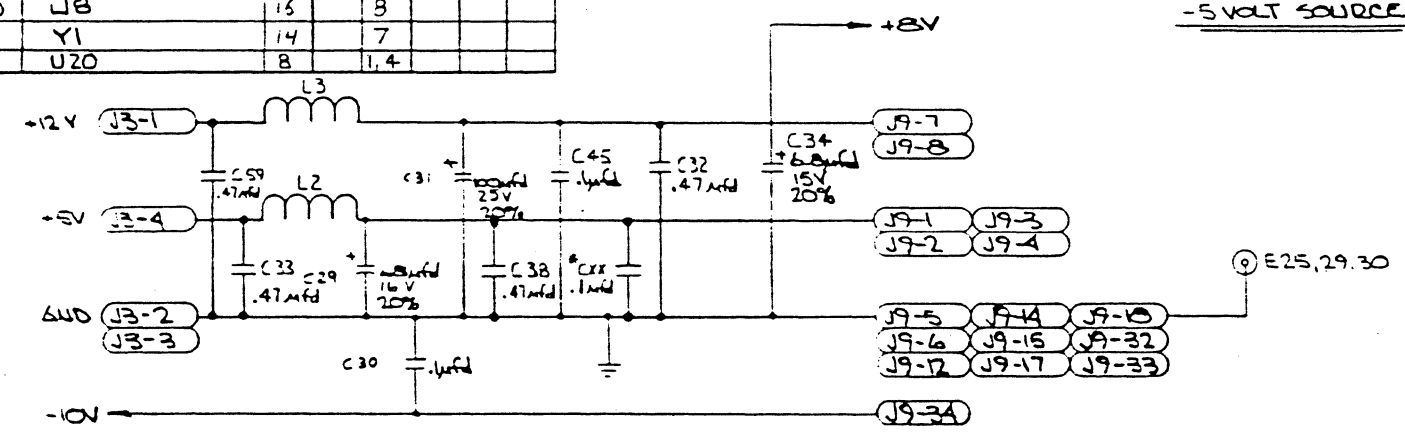


TYPE	REF. DESIGNATION	+5V	-5V	16V	2V	-10V	48V
20506	A101	8	7	16			
20507	A105	8	7	3,7,24	1,14	19	21
20508	A104	10	11	1,2,13	3	2	
20509	A103		12	11	3		
20510	A108		1			10	
20519	A107, A109		2, 25			3	
20512	A106		8, 15	9	15		
20513	A102	1	15	15			
1350	U16		3, 7			2	
741504	U5, U6	14	-				
7406	U4, U14	14	-				
555	U3, U17			8	-		
567	U1, U2	4	-				
78M08HC	VR1			3			
75452	U11, U12, U15	5	4				
745188	U13	6	8				
74LS220	U9	14	7				
74157	U7	15	8				
74LS293	U10	14	7				
CD4020	U8	15	8				
X74L	Y1	14	7				
LM311	U20	8	1, 4				



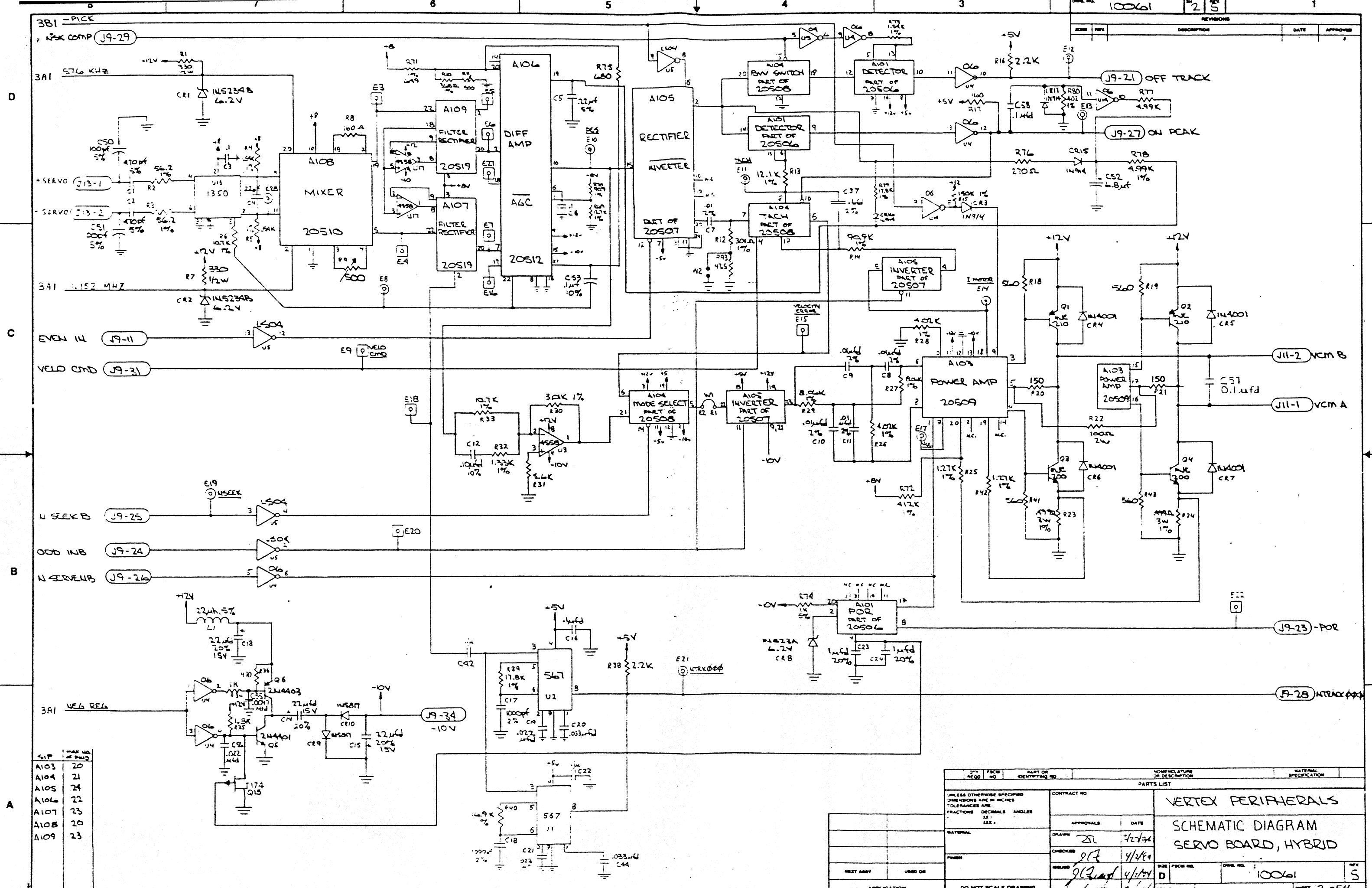
-5 VOLT SOURCE



* C1X = C36, C39, C40, C41, C43, C46

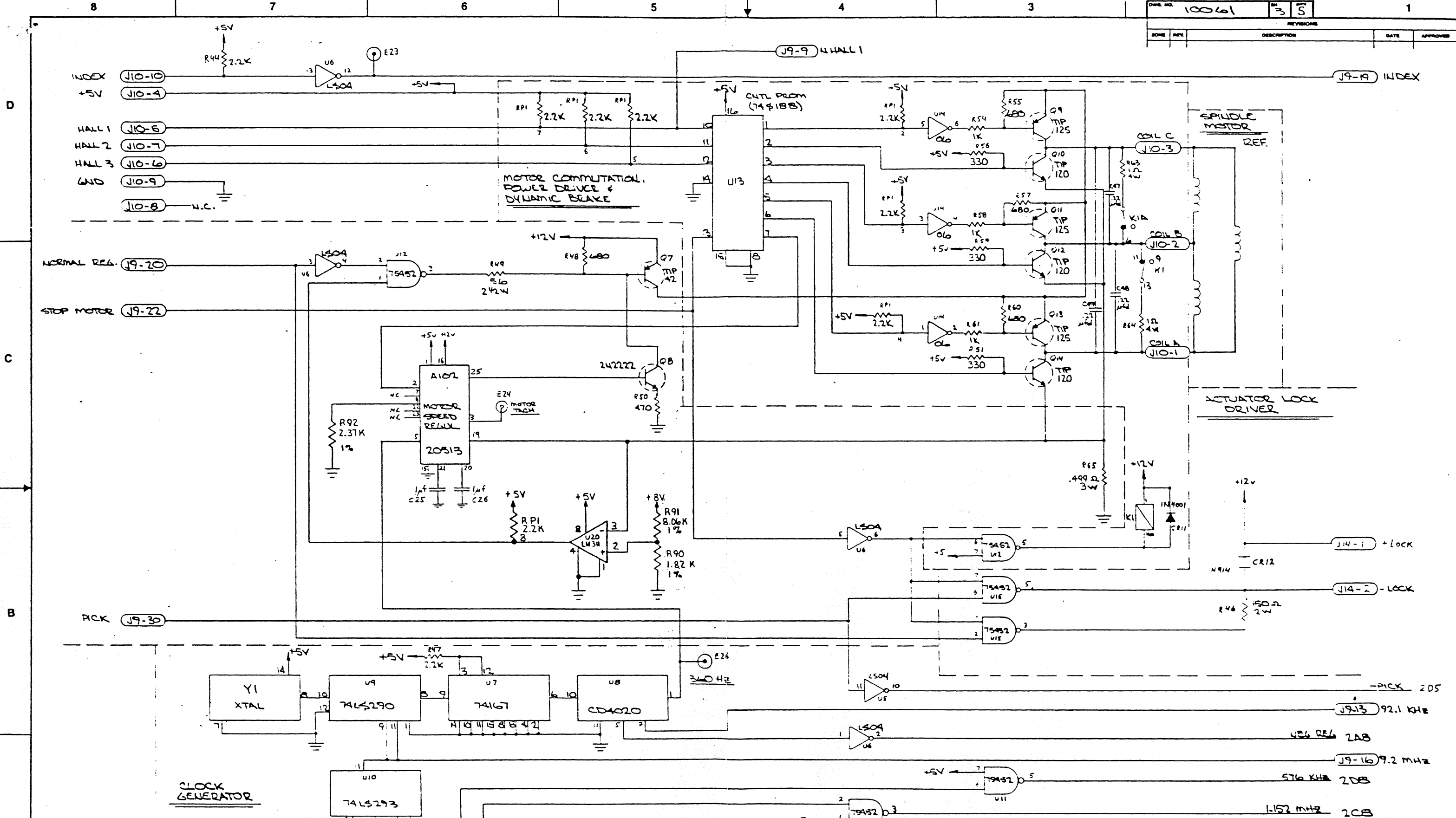
5. ALL .1μfd CAPACITORS ARE ±20%, 25V.
 4. SYMBOLS FOR TEST POINTS; ⊕ = TEST PIN, ⊞ = TEST PAD.
 3. ALL 1% RESISTORS ARE 1/4 W @ 70°C.
 2. ALL RESISTOR VALUES ARE IN OHMS, 1/4 W, 5%.
 1. ALL CAPACITOR VALUES ARE IN MICROFARADS, 5%, 50 V.
- NOTES: UNLESS OTHERWISE SPECIFIED.

QTY	FRGM	PART OR IDENTIFYING NO	NOMENCLATURE OR DESCRIPTION	MATERIAL SPECIFICATION
PARTS LIST				
UNLESS OTHERWISE SPECIFIED DIMENSIONS ARE IN INCHES FRACTIONS DECIMALS ANGLES			CONTRACT NO	VERTEX PERIPHERALS
MATERIAL			APPROVALS	DATE
FINISH			2R	3/27/81
NEXT ASBY			CHECKED	4/1/81
USED ON			RELEASED	4/2/81
APPLICATION			SIZE	FRGM NO
DO NOT SCALE DRAWING			D	10061
			SCALE	SHEET 1 OF 4



SIP	PART NO.	QUANTITY
A103	20	
A104	21	
A105	21	
A106	22	
A107	23	
A108	20	
A109	23	

QTY	FROM	PART OR	NOMENCLATURE	MATERIAL
REQD	NO	IDENTIFYING NO	OR DESCRIPTION	SPECIFICATION
PARTS LIST				
UNLESS OTHERWISE SPECIFIED DIMENSIONS ARE IN INCHES TOLERANCES ARE FRACTIONS DECIMALS ANGLES SEX - SEX -		CONTRACT NO. APPROVALS DATE DRAWN CHECKED ISSUED 9/2/64 4/1/64 3/1/64		
MATERIAL		VERTEX PERIPHERALS SCHEMATIC DIAGRAM SERVO BOARD, HYBRID		
FINISH		SIZE	PCHM NO.	DRAW. NO.
NEXT ASSY		USED ON	10061	REV. 5
APPLICATION		DO NOT SCALE DRAWING	SCALE	SHEET 2 OF 4



QTY	FROM	PART OR IDENTIFYING NO.	NOMENCLATURE OR DESCRIPTION	MATERIAL SPECIFICATION
PARTS LIST				
UNLESS OTHERWISE SPECIFIED DIMENSIONS ARE IN INCHES TOLERANCES ARE FRACTIONS DECIMALS ANGLES			CONTRACT NO.	
MATERIAL			APPROVALS DATE	
FINISH			DRAWN 22 3/20/81	
NEXT ASSEMBLY USED ON			CHECKED G. J. 4/1/81	
APPLICATION			ISSUED 5/1/81 4/1/81	
DO NOT SCALE DRAWING			SCALE	
			D 10061 S	
			SHEET 3 OF 4	

A

B

C

D

8

7

6

5

4

3

1