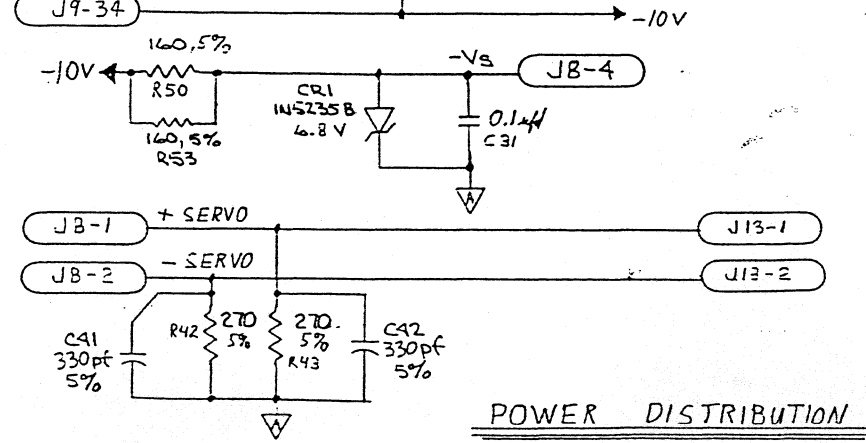
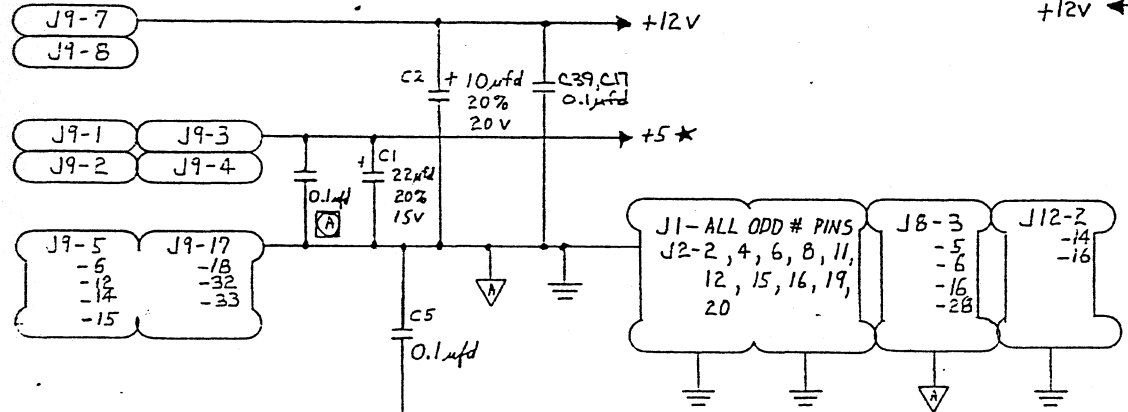
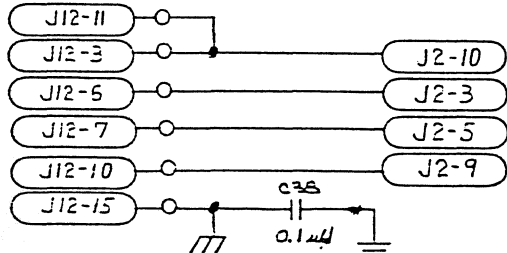
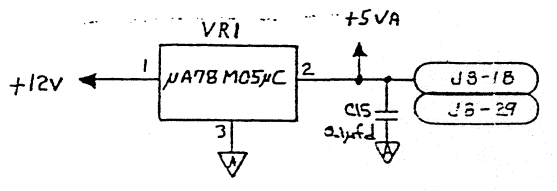
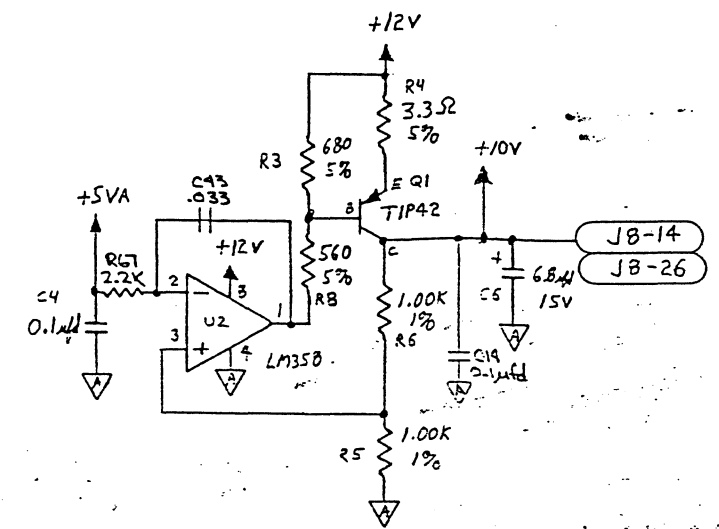


I.C. TABLE

TYPE	REF. DESIGNATION	+5VA	+5V*	AGND	DGND	+12V	-10V	+10V	SPARE
20521	U25	10		12,16				6,8,14	
20502	U24	1		11,18				4,9	5,7
20503	U22	3		2				4	6,17
20520	U23	11		4,9,17		5	20	18	3
20505	U18		40		20				
8051	U3		40		20				
7406	U8, U16		14		7				
74LS14	U7, U11		14		7				
7438	U4, U5		14		7				
74S86	U14		14		7				
74LS123	U13		16		8				
75452	U12, U20		8		4				
26LS31	U9		16		8				
26LS32	U6		16		8				
10124	U17	16		8				9	
1408-8	U10		13		1		3		
4558	U1					8	4		
LM393	U21			4				8	
LM358	U2			4		8			
75107	U19	7		13				14	
DIGITAL DELAY LINE	U15		14		7				
74LS74	U26		14		7				



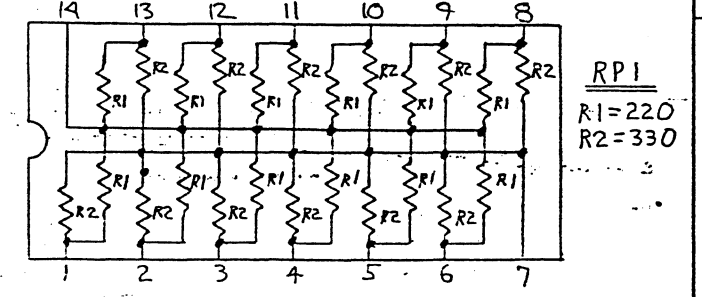
POWER DISTRIBUTION



ON BOARD VOLTAGE REGULATORS

A C7-C12, C16, C18-C20, C40

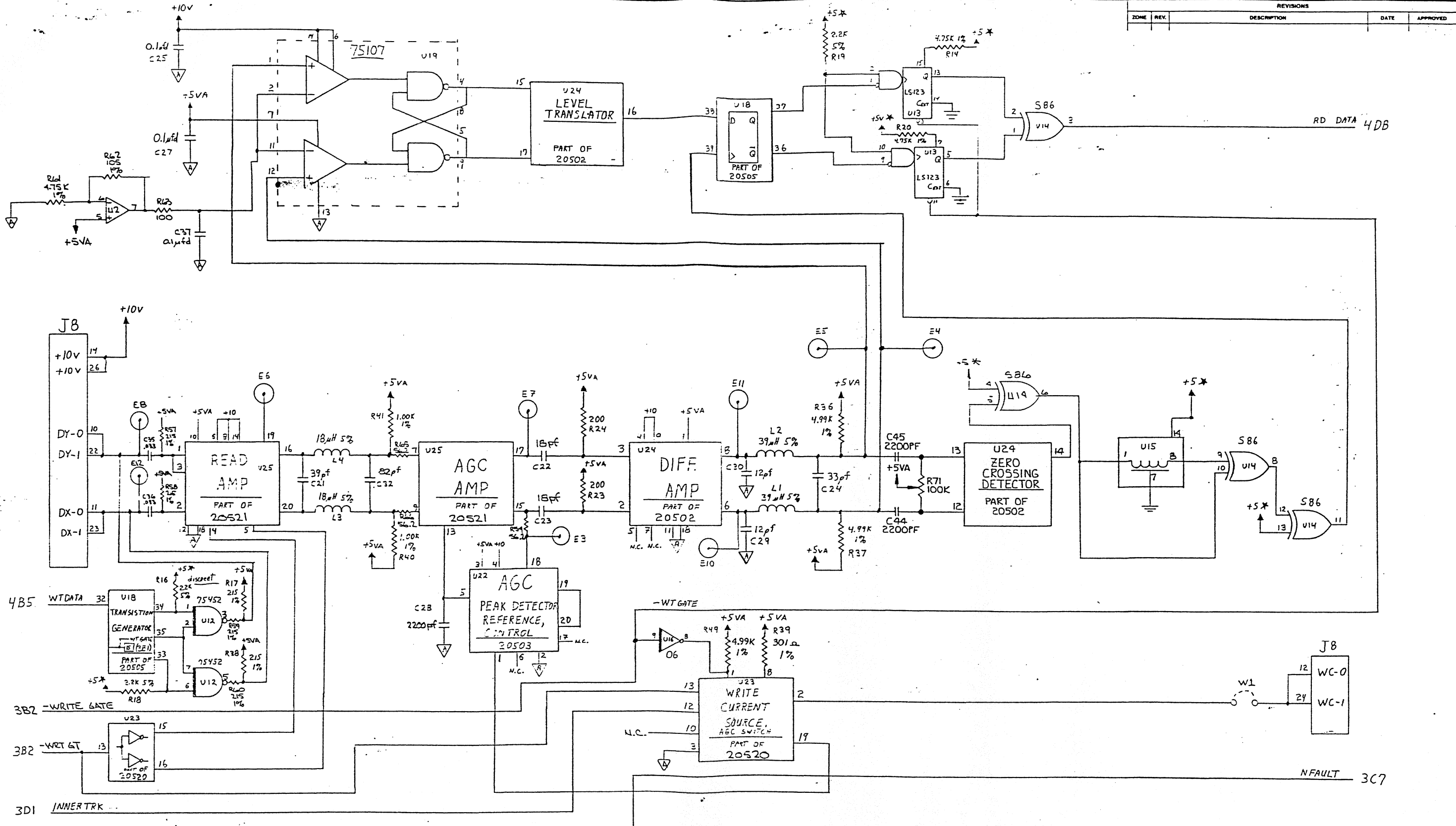
ZONE	REV.	DESCRIPTION	DATE	APPROVED
R	SEE ECN 551		4/23/85	JCF
S	SEE ECN 573A			JCF
T	SEE ECN 614		7-10-85	DM
V	SEE ECN 642		9/5/85	JCF
W	SEE ECN 10253		9/17/85	JCF
Y	SEE ECN 10264		10/2/85	JCF
Z	SEE ECN 10328		11/11/85	JCF
AA	SEE ECN 10368		1/20/86	MM
AB	SEE ECN 10432		2/5/86	MM
A	INITIAL RELEASE, ECN 253		3/8/84	JCF
B	SEE ECN 307		4/24/84	JCF
C	SEE ECN 310		4/10/84	JCF
D	SEE ECN 322		5/21/84	JCF
E	SEE ECN 338		6/1/84	JCF
F	SEE ECN 343		6/16/84	JCF
G	SEE ECN 363		7/2/84	JCF
H	SEE ECN 378		7/16/84	JCF
I	SEE ECN 394		8/16/84	JCF
K	SEE ECN 409		9/6/84	JCF
L	SEE ECN 416		9/27/84	JCF
M	SEE ECN 436		10/12/84	JCF
N	SEE ECN 442		10/31/84	JCF
P	SEE ECN 496		1/17/85	DM



7. PIN NUMBERS ON OPTIONAL 48 PIN 68200
 6. ALL 1% RESISTORS ARE 1/8W
 5. ALL 5% RESISTORS ARE 1/4W
 4. ALL 0.1µF CAPACITORS ARE +80/-20%, 50 VOLT
 3. ALL CAPACITOR VALUES ARE IN MICROFARADS, 5%, 50 VOLT (MIN)
 2. SYMBOLS FOR +5 VOLTS: +5V (ANALOG); +5* (DIGITAL)
 1. SYMBOLS FOR GROUND:
 - ⏏ FRAME GROUND; ⏏ ANALOG GROUND; ⏏ DIGITAL GROUND
- NOTES: UNLESS OTHERWISE SPECIFIED.

QTY REQD	FSCM NO.	PART OR IDENTIFYING NO.	NOMENCLATURE OR DESCRIPTION	MATERIAL SPECIFICATION
10170				
10150				
10130	10000			
NEXT ASSY	USED ON			
APPLICATION		DO NOT SCALE DRAWING		

APPROVALS		DATE	PARTS LIST	
DRAWN JCF		11/25/83	VERTEX PERIPHERALS	
CHECKED JCF		2/29/84	SCHEMATIC DIAGRAM, DATA BOARD, HYBRID	
ISSUED JCF		2/29/84	SIZE D	FSCM NO.
		1/13/84	DWG. NO. 10060	REV. AB
			SHEET 1 OF 6	



RD DATA 4DB

NFAULT 3C7

QTY	FSCM	PART OR IDENTIFYING NO.	NOMENCLATURE OR DESCRIPTION	MATERIAL SPECIFICATION
			PARTS LIST	
UNLESS OTHERWISE SPECIFIED DIMENSIONS ARE IN INCHES TOLERANCES ARE: FRACTIONS DECIMALS ANGLES .XX = .XXX =				
MATERIAL		CONTRACT NO.		VERTEX PERIPHERALS
FINISH		APPROVALS		SCHEMATIC DIAGRAM,
NEXT ASSY		DATE		DATA BOARD, HYBRID
USED ON		ISSUED		SIZE FSCM NO. DWG. NO. 10060 REV. AB
APPLICATION		DO NOT SCALE DRAWING		SCALE SHEET 2 OF 6

D

C

B

A

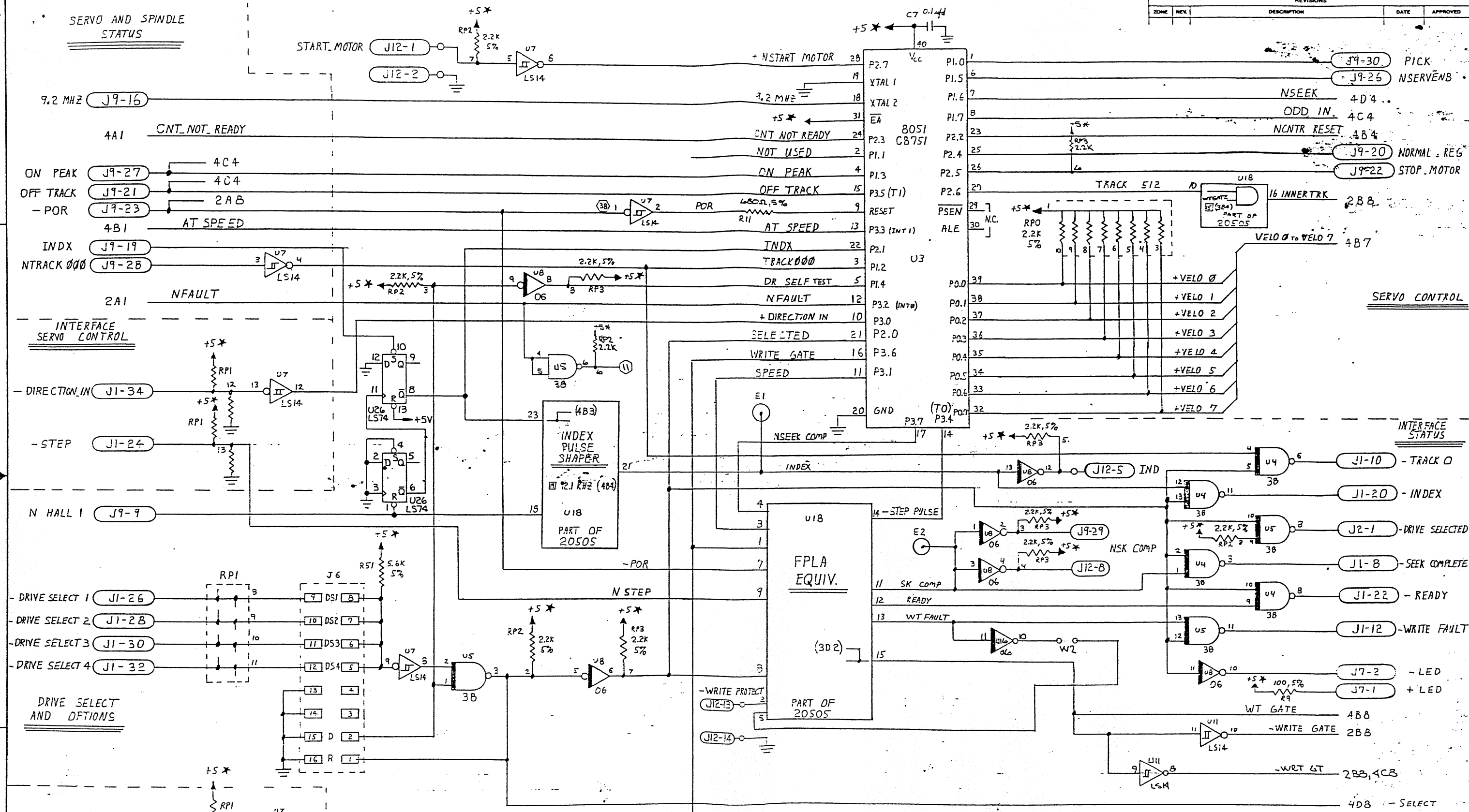
D

C

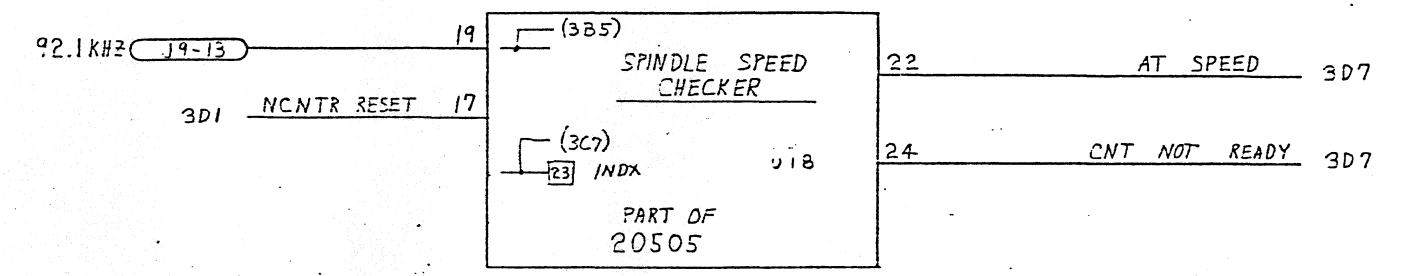
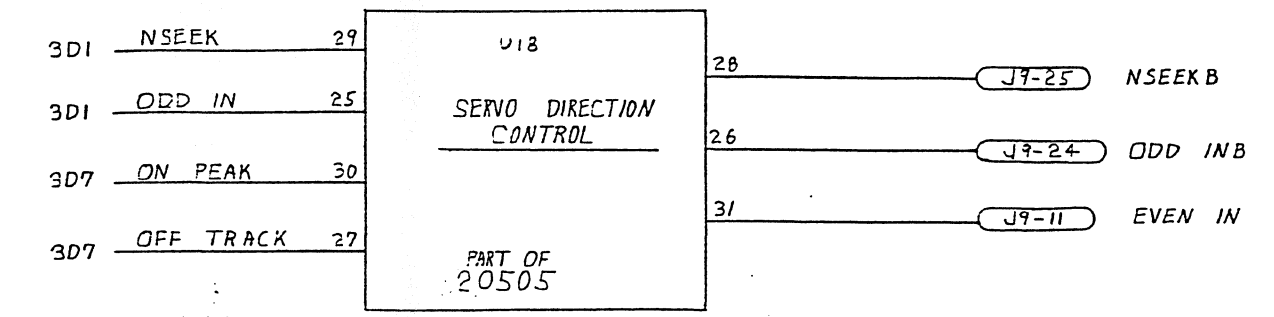
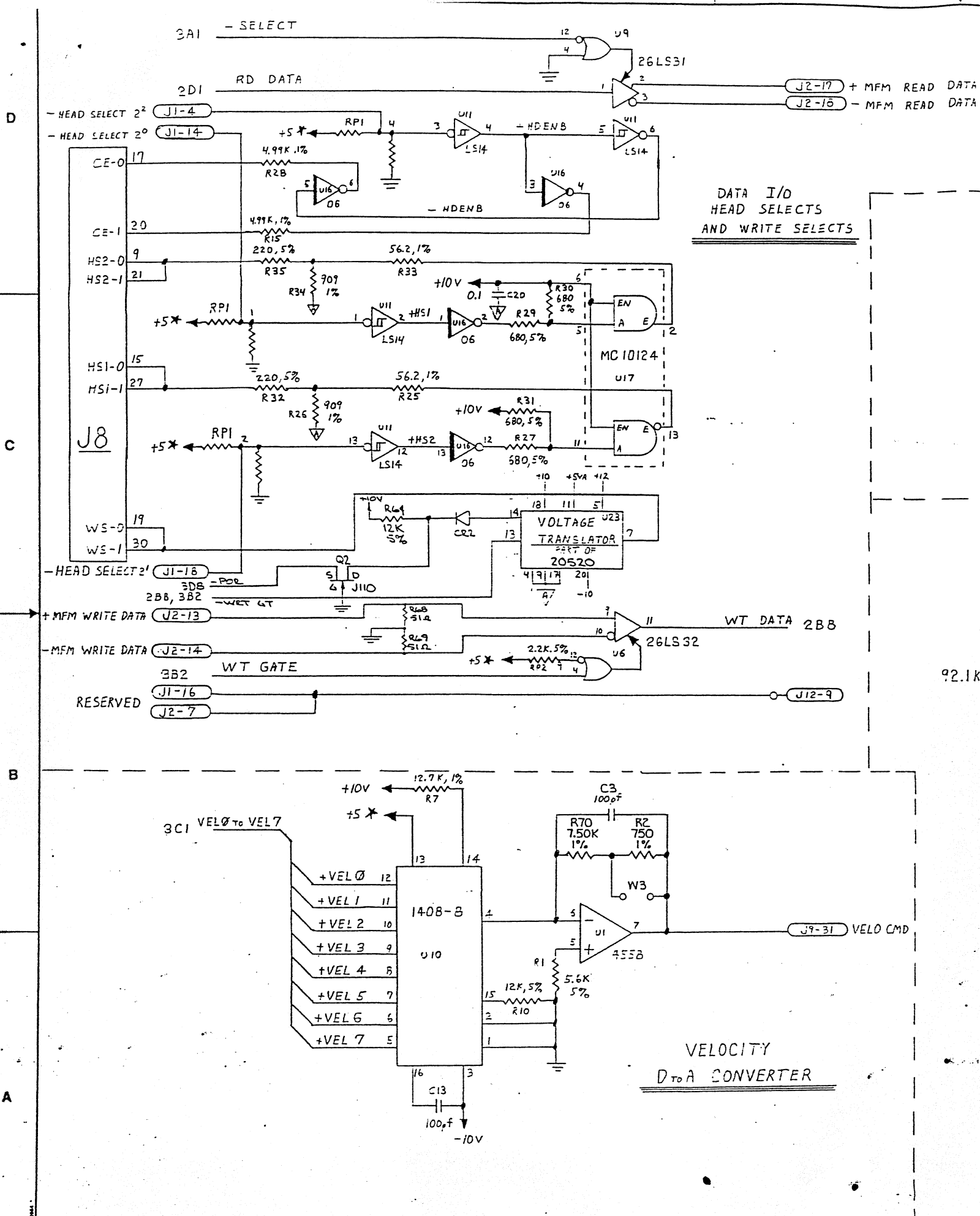
B

A

ZONE	REV.	DESCRIPTION	DATE	APPROVED



QTY	FSCM	PART OR IDENTIFYING NO.	NOMENCLATURE OR DESCRIPTION	MATERIAL SPECIFICATION
			VERTECH PERIPHERALS	
			SCHEMATIC DIAGRAM,	
			DATA BOARD, HYBRID	
			APPROVALS	DATE
			DRAWN JCF	11/25/83
			CHECKED	
			ISSUED	
			SIZE FSCM NO.	DWG. NO.
			D	10060
			SCALE	SHEET 3 OF 6

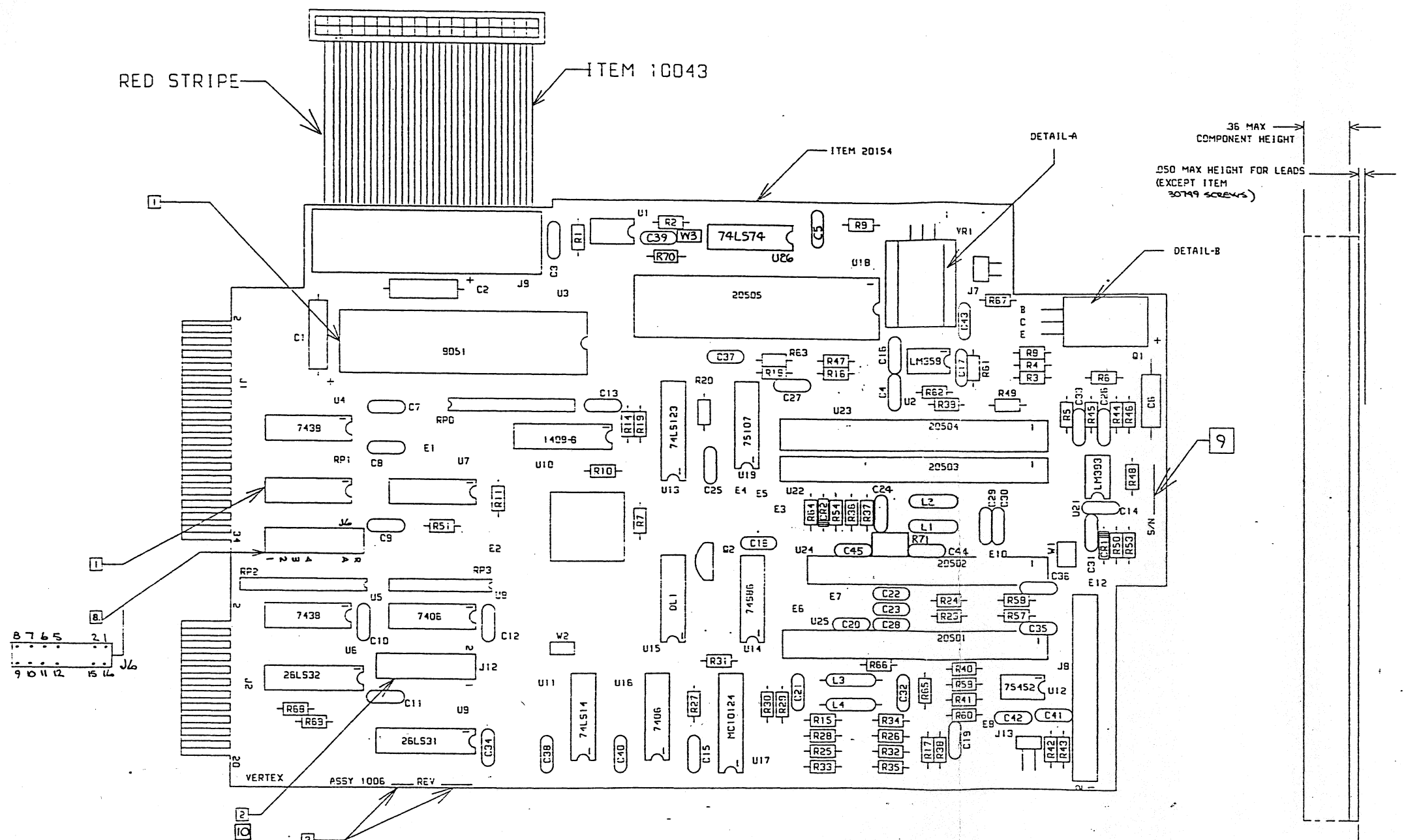


QTY	FSCM	PART OR	NOMENCLATURE	MATERIAL
REQD	NO.	IDENTIFYING NO.	OR DESCRIPTION	SPECIFICATION
PARTS LIST				
UNLESS OTHERWISE SPECIFIED DIMENSIONS ARE IN INCHES TOLERANCES ARE:		CONTRACT NO.		
FRACTIONS	DECIMALS	ANGLES	VERTEX PERIPHERALS	
± .XXX ±	± .XXX ±	±		
MATERIAL	FINISH	ISSUED	APPROVALS	DATE
			JCF	11/25/82
NEXT ASSY	USED ON	DO NOT SCALE DRAWING	SCALE	REV. AB
				10060
				SHEET 4 OF 6

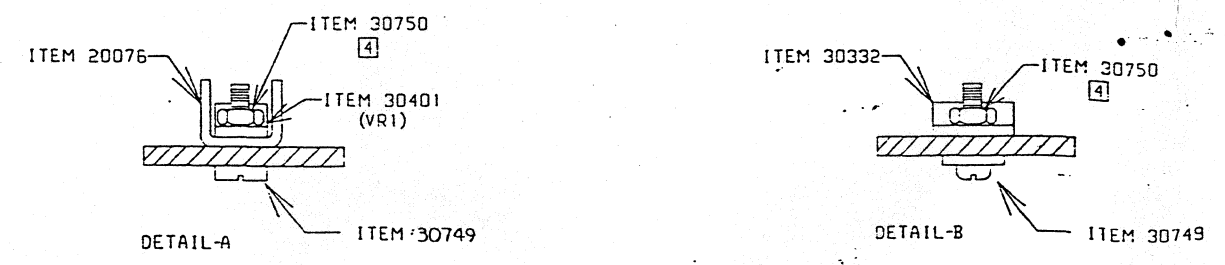
V-150

REVISION				
REV	DESCRIPTION	BY	DATE	APPROVAL
	INITIAL ISSUE. ECN 614		7-10-85	JJM

E-1 - ~~Index~~ Read
2
3
4



- 10. PLACE MINI JUMPER (01495) ON J12 PINS 15 AND 16.
 - 9. ATTACH LABEL (20528) OR MARK SERIAL NO. IN PERMANENT INK WHERE SHOWN.
 - 8. PLACE MINI JUMPER (01495) ON J6, PINS 8 AND 9.
 - 7. NONE
 - 6. NONE
 - 5. REWORK PER INSTRUCTIONS.
 - 4. TORQUE TO 4 IN-LBS.
 - 3. ATTACH LABEL (20528) OR MARK ASSY NO. 10060. CURRENT REV. LETTER IN PERMANENT INK, APPROX. WHERE SHOWN.
 - 2. PINS 1,3,15,16 ARE USED.
 - 1. SOCKET.
- NOTES: UNLESS OTHERWISE SPECIFIED.



TOLERANCES		APPLICATION	
DECIMAL		NEXT ASSY	USED ON
X ± .1		10185	11000
.XX ± .03		PRINCIPLE DRAWING TABLE	
.XXX ± .010		DRAWING NO.	DESCRIPTION
ANGLES			PCB, FAB.
±2°			LIST / MATL.
			SCHEMATIC

DRAWN	DATE	VERTEX PERIPHERALS		
CHK	DATE	TITLE		
ENGR	DATE	ASSY PCB		
MFG	DATE	SIZE	CODE IDENT NO	DWG NO
PROJ ENGR	DATE	D		10060
		SCALE	CONTR NO	REV
		NONE		AB
				SHEET 5 OF 6