

DWG NO. 98A0734

REVISIONS

REV	EN	CHG CODE	DESCRIPTIONS	DR	APPD
E	85958	2	REVISED SECTION 4.1, PARAGRAPH 3	T.N	12/11/8 3/15/8

NOTES: UNLESS OTHERWISE SPECIFIED

I. REFERENCE DWGS.

- 53P0569 POWER CABLE
- 95E0818 SCHEMATIC, POWER SUPPLY
- 83E0035 POWER SUPPLY ASSEMBLY
- 98A0729 TEST SPECIFICATION

PRODUCT PERFORMANCE SPECIFICATION

NEXT ASSEMBLY			MODEL NO.		SPERRY UNIVAC	
DR	K. Illinor	2-2-71	CODE IDENT NO. 21101	TITLE POWER SUPPLY $\pm 5V$ and $\pm 12V$ 620/L AND 620/I-100 COMPUTER		
CHK	R. Jordan	6-11-71				
DSGN	R. Colderwood	6-9-71	THIS DOCUMENT MAY CONTAIN PROPRIETARY INFORMATION AND SUCH INFORMATION MAY NOT BE DISCLOSED TO OTHERS FOR ANY PURPOSE OR USED TO PRODUCE THE ARTICLE OR SUBJECT, WITH- OUT PERMISSION FROM SPERRY UNIVAC.	SIZE	DWG NO.	REV
ENGR	R. Colderwood	6-9-71		A	98A0734	E
APPD	L. Manigoz	6-16-71				
APPD				SHEET 1 OF 9		

SECTION 1
DESCRIPTION

The power supply shall be fixed quad voltage source capable of supplying 17 amps at +5 VDC, 2.0 amps at -5 VDC, 6.0 amps at +12 VDC, and 4.0 amps at -12 VDC with respect to a common ground for all supplies. The unit shall be constructed such that any over-voltage or short circuit conditions at any output shall not cause catastrophic failure of components within a supply. If a component fails within a power supply, causing excessive input current, the circuit breaker will trip. All input and output terminals shall be electrically isolated from the chassis. All voltages in excess of 28 volts shall be covered (unexposed) in order to prevent injury to persons.

	CODE IDENT. NO 21101		98A0734	REV E
	PREPARED BY	APPR	SHEET 2 OF 9	

SECTION 2
SPECIFICATIONS

Ambient Temperature Range (free air, no forced air cooling)	0°C to 55°C
Adjustable Voltage Range	FOR +5 AND -5VDC — -5% +5% FOR +12 AND -12VDC — -1V +1V
DC Isolation	100 megohms minimum from primary to all other windings and chassis
Ripple	0.05% maximum P-P
Transient Response	50 usec maximum for 50% change in load (see Note 1)
Input Line Frequency	47 to 63 Hz single phase
Input Line Voltage	105 to 125 VAC or 210 to 250 VAC
Line Regulation +12 VDC & -12 VDC	10 mv maximum for 105 to 125 VAC line change at one-half of full load
Line Regulation +5 VDC & -5 VDC	10 mv maximum for 105 to 125 VAC line change at one-half of full load
Load Regulation +5 and -5 VDC	35 mv maximum for 50% load change at 115 VAC input
Load Regulation +12 and -12 VDC	40 mv maximum for 50% load change at 115 VAC input
Relay Turn on/off Transient at Output Terminals	350 V peak
Fan Output Terminals	105 to 125 VAC regardless of input AC voltage range

	CODE IDENT. NO 21101		98A0734	REV E
PREPARED BY	APPR.	SHT 3 OF 9		

The relay coil shall be isolated and brought out to terminals on the I/O terminal strip.

Total Regulation

Regulation includes the combined effects of ripple, transient loads, DC loading from 0 to 100%, line voltage and frequency change, temperature, long term stability over 8 hours and all other sources.

+5 and -5 VDC
+12 and -12 VDC

±4% maximum
±2% maximum

Package Dissipation

550 watts maximum

Overload Protection

Electronic current limit with automatic recovery.

Over-voltage Limit
(including overshoot)
[+5 supply only]

5.7 VDC minimum, 7.5 VDC maximum

Short Circuit Current

Supply	Short Circuit Current
+5	Less than 6 amps
-5	Less than 3 amps
+12	Less than 3 amps
-12	Less than 2 amps

Data Guard Sense Voltage

15.5V ± 5%; measured open circuit at 105 VAC input line voltage. The source will have a 1500 OHM series resistor. (and shall be capable of driving a minimum external load of 1800 OHMS.)

	CODE IDENT. NO 21101		98A0734	REV E
	PREPARED BY	APPR.	SHT 4 OF 7	

SECTION 3
MECHANICAL

Form Factor

See Figure 1, Sheet 7

Material

.075 Thk, CRS

Finish

Cad Plate per MIL-QQ-P-416
Class 2, Type 2

Markings

I/O Terminal

Marking: Silk Screen information
to be identical as shown on 04E0610.

All items not specifically covered in this specification will be handled according to the best commercial practice.

NOTE 1: Transient response is defined as the time required for the output voltage to return within the DC load regulation specification.

The max deviation allowed by a transient of 30% change in load/usec is .150V.

	CODE IDENT. NO 21101		98A0734	REV E
	PREPARED BY	APPR.	SHT 5 OF	9

SECTION 4
DOCUMENTATION REQUIREMENTS

4.1 For 115VAC input the SPERRY nameplate (86C0001-000) shall be as follows:

Model: 620/L-95-5
 Part No.: 83P0035-000 (and current revision letter)
 Serial No.: (assigned sequentially)
 Input: 115VAC 50/60Hz

For 230VAC input the SPERRY nameplate (86C0001-000) shall be as follows:

Model: 620/L-95-5
 Part No.: 83P0035-001 (and current revision letter)
 Serial No.: (unit carries same original serial)
 Input: 230VAC 50/60Hz

For 115 VAC input, 115V relay (slave operation) the SPERRY nameplate (86C0001-000) shall be as follows:

Model: 620/L-95-5
 Part No.: 83P0035-002 (and current revision letter)
 Serial No.: (unit carries same original serial)
 Input: 230VAC 50/60Hz, relay 115VAC

4.2 No changes to the assembly shall be made without prior approved SPERRY UNIVAC Engineering Notices.

4.3 All changes to the assembly shall be made on a serial number effectivity basis.

	CODE IDENT. NO 21101		98A0734	REV E
	PREPARED BY	APPR.	SHT 6 OF 9	

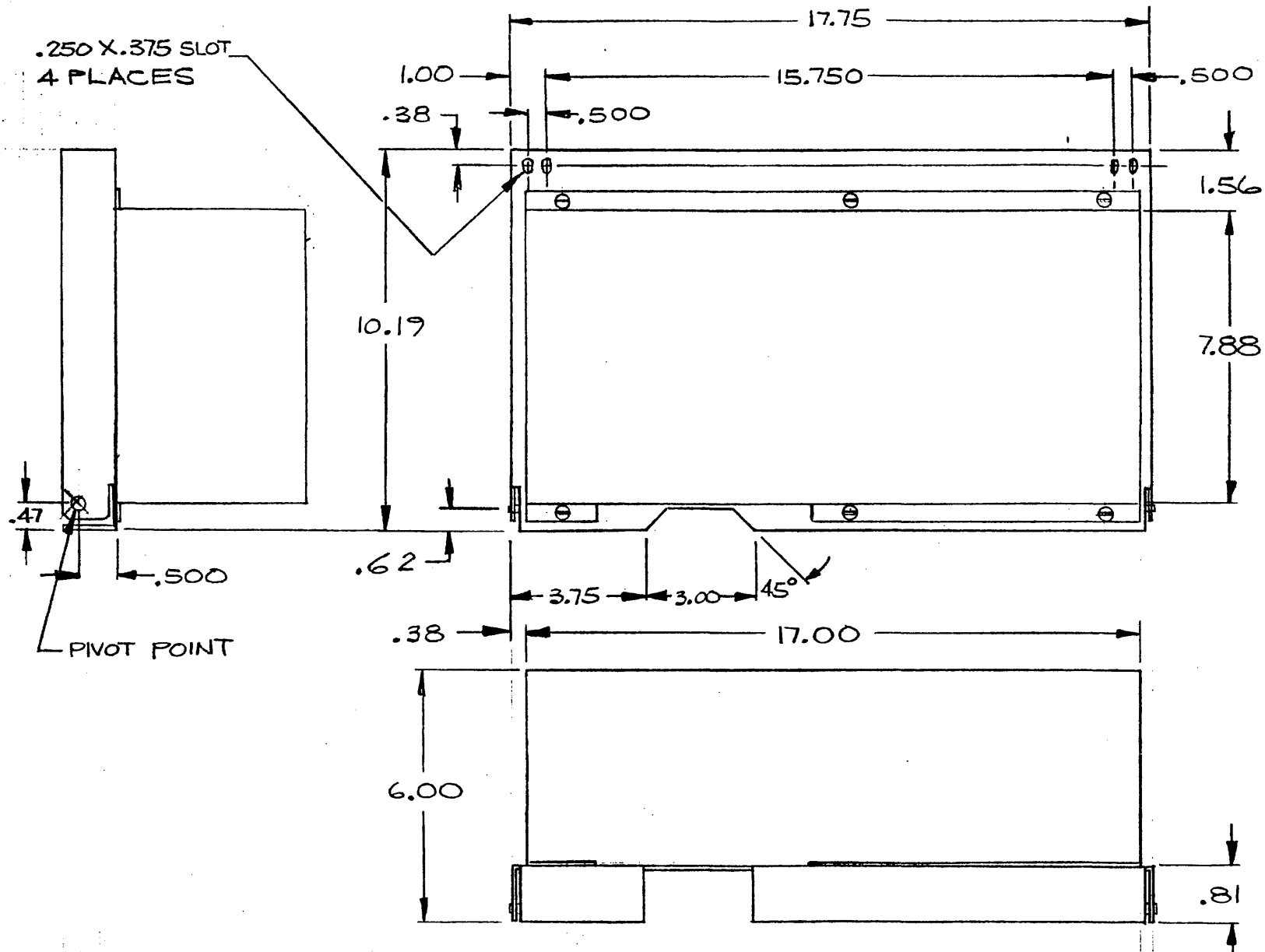


FIGURE 1-OUTLINE DRAWING(REF)

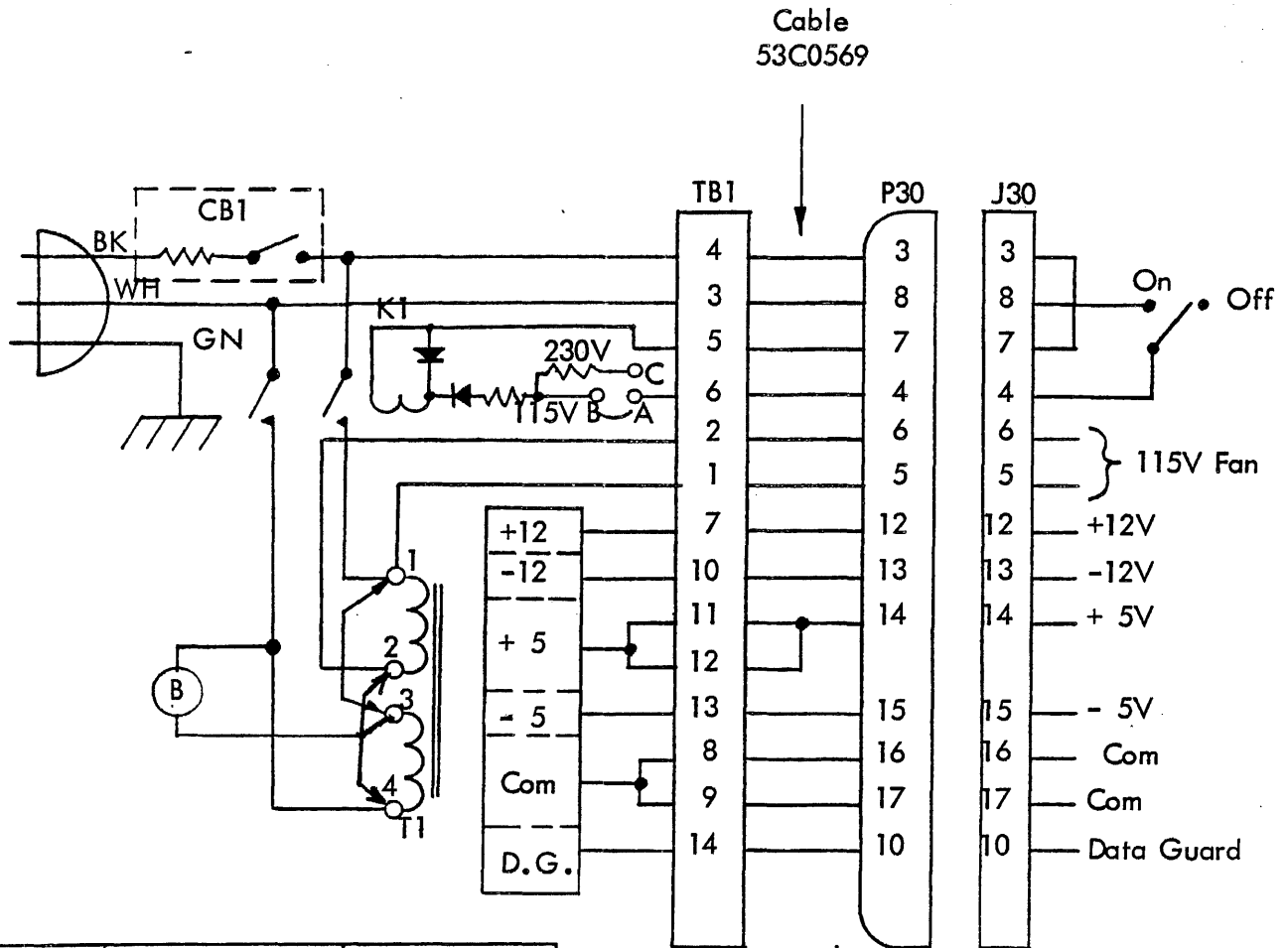
21101
 IDENTIFICATION
 CODE

98A0734

SHEET 7 OF 9

E
 RFA

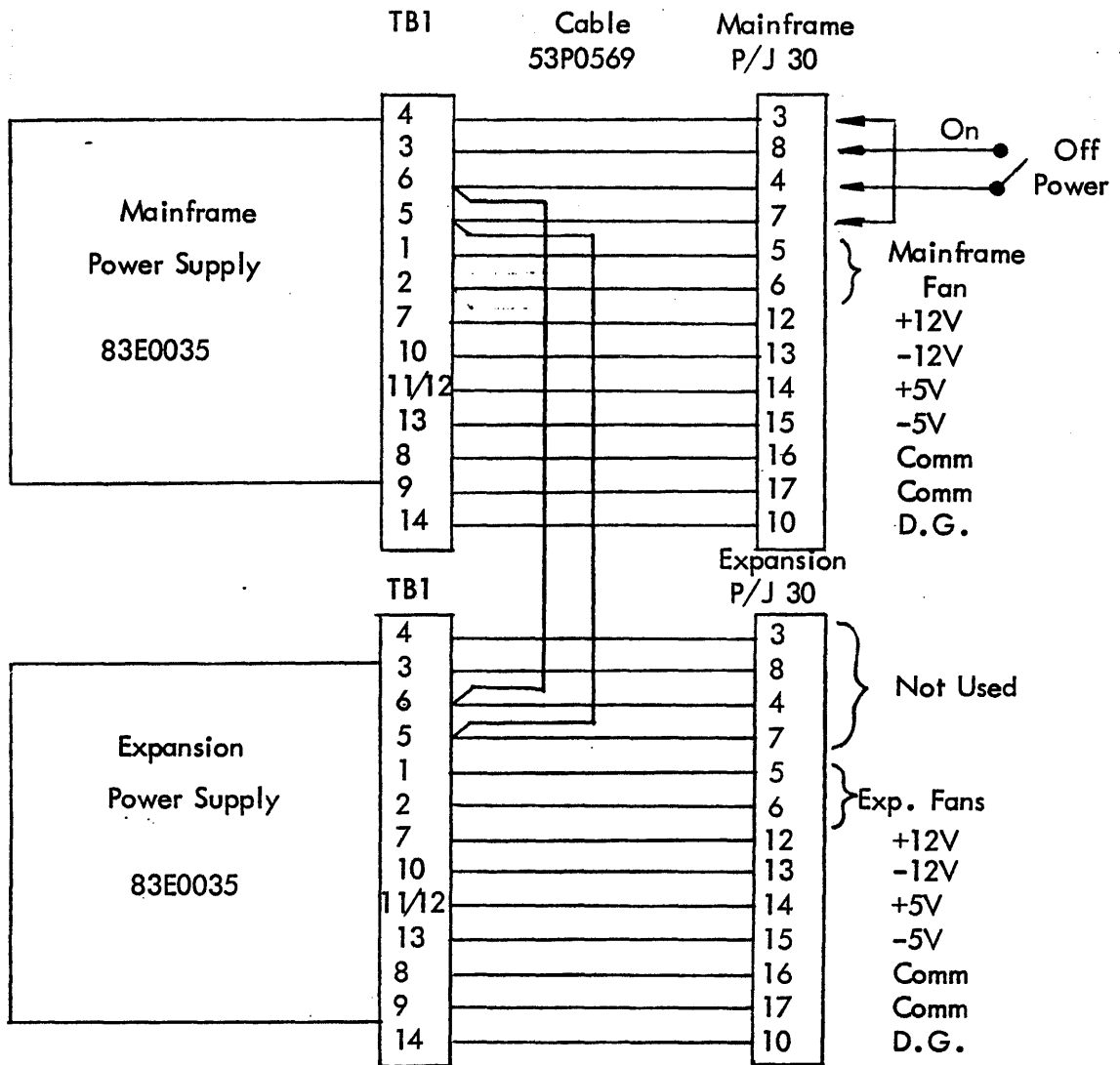
POWER SUPPLY CABLING AND JUMPERS



Input Power	Transformer Jumpers	Relay Jumper
115V	1-3, 2-4	A-B
230V	2-3	A-C

COPY IDENT. NO 21101		98A0734	REC E
PREPARED BY	APPR	Sht 8 of 9	

MAINFRAME/EXPANSION INTERCONNECT



Input Power	Mainframe Transformer	Mainframe Relay	Expansion Transformer	Exp. Relay
115V	1-3, 2-4	A-B	1-3, 2-4	A-B
230V	2-3	A-C	2-3	<u>A-B</u>

COX
IDENT. NO

21101

98A0734

RE
E

PREPARED BY

APPR

SHT 9 OF 9

PARTS LIST

SPERRY UNIVAC IS A DIVISION OF SPERRY RAND CORP.

MFG. CODE

W

ISSUE DATE

10/30/79

CONTROL

W777

CA

TYPE

M

COMM. CODE

ST.

A

PL

DOC NO.

W 0101879

SHEET

1

PL. REV.

C

TITLE
PC ASSY - POWER SUPPLY OPTION

CL

A

U/M

EA

AC

9

DOC SIZE

A

RANGE

THRU

ISSUE

PIC. REV.

C

FIND NO.	QUANTITY REQUIRED	U/M	SIZE	PART OR IDENT. NO.		NOMENCLATURE OR DESCRIPTION	S	C	H	G
				DOCUMENT NO.	DASH					
Z03				W-87862	-06	PL REV C, PIC REV C, RANGE 00 -333 EIR RELEASED 10/25/79				
***** COMMON DATA *****										
3	1	EA		W 8600065	-00	NAMEPLATE				A *
6	1	EA		W 0101396	-00	INSTL KIT, POWER SUPPLY EXP VERTICAL MOUNT				A *
F01		X		W 9500990	-00	SCHEMATIC - POWER SUPPLY				A *
F02		X		W 9300406	-00	INSTALLATION DRAWING				A *
S01		X		SW01163	-00	MARKING SPEC PART IDENTIFICATION				A *
***** 115 VAC 5 AMPS 50/60 HERTZ * VARIABLE DATA = 00*****										
1	1	EA		W 0101500	-00	POWER SUPPLY ASSEMBLY				A *
***** 230 VAC 2.5 AMPS 50/60 HERTZ * VARIABLE DATA = 01*****										
1	1	EA		W 0101500	-00	POWER SUPPLY ASSEMBLY				A *
4	1	EA		W 5300706	-72	POWER CORD ASSEMBLY (230 VAC) 72 INCH				A *
5	1	EA		W 8600043	-01	LABEL, OPERATING VOLTAGE 230 VAC				A *
***** 115 VAC 5 AMPS 50/60 HERTZ * VARIABLE DATA = 02*****										
2	1	EA		W 0101500	-01	POWER SUPPLY ASSEMBLY				A *
7	1	EA		W 5300685	-72	CABLE ASSY - POWER				A *
***** 230 VAC 2.5 AMPS 50/60 HERTZ * VARIABLE DATA = 03*****										
2	1	EA		W 0101500	-01	POWER SUPPLY ASSEMBLY				A *
4	1	EA		W 5300706	-72	POWER CORD ASSEMBLY (230 VAC) 72 INCH				A *
5	1	EA		W 8600043	-01	LABEL, OPERATING VOLTAGE 230 VAC				A *
7	1	EA		W 5300685	-72	CABLE ASSY - POWER				A *
***** 115 VAC 5 AMPS 50/60 HERTZ * VARIABLE DATA = 04*****										
2	1	EA		W 0101500	-01	POWER SUPPLY ASSEMBLY				A *
8	1	EA		W 5300656	-60	CABLE ASSY - TURN ON				A *
9	1	EA		W 5300657	-48	CABLE ASSY - I/O POWER				A *
***** 230 VAC 2.5 AMPS 50/60 HERTZ * VARIABLE DATA = 05*****										



UNIVAC

PARTS LIST

SPERRY UNIVAC IS A DIVISION OF SPERRY RAND CORP.

MFG. CODE

ISSUE DA

CONTROL

CA

TYPE

COMM. CODE

ST.

PL REV.

W

10/30/77

W777

M

A

PL

DOC. NO.

W 0101879

C

TITLE

PC ASSY - POWER SUPPLY OPTION

CL

U/M

AC

9

DOC. SIZE

RANGE

THRU

ISSUE

PIC. REV.

C

FIND NO.	QUANTITY REQUIRED	U/M	SIZE	PART OR IDENT. NO.		NOMENCLATURE OR DESCRIPTION	S P	C H G
				DOCUMENT NO.	DASH			
2	1	EA		W 0101500	-01	POWER SUPPLY ASSEMBLY	A	*
4	1	EA		W 5300706	-72	POWER CORD ASSEMBLY (230 VAC) 72 INCH	A	*
5	1	EA		W 8600043	-01	LABEL, OPERATING VOLTAGE 230 VAC	A	*
8	1	EA		W 5300656	-60	CABLE ASSY - TURN ON	A	*
9	1	EA		W 5300657	-48	CABLE ASSY - I/O POWER	A	*

2	1	EA		W 0101500	-01	POWER SUPPLY ASSEMBLY	A	*
10	1	EA		W 5300696	-40	CABLE ASSY - P/S EXP TURN ON	A	*

2	1	EA		W 0101500	-01	POWER SUPPLY ASSEMBLY	A	*
4	1	EA		W 5300706	-72	POWER CORD ASSEMBLY (230 VAC) 72 INCH	A	*
5	1	EA		W 8600043	-01	LABEL, OPERATING VOLTAGE 230 VAC	A	*
10	1	EA		W 5300696	-40	CABLE ASSY - P/S EXP TURN ON	A	*

2	1	EA		W 0101500	-01	POWER SUPPLY ASSEMBLY	A	*
7	1	EA		W 5300685	-72	CABLE ASSY - POWER	A	*

2	1	EA		W 0101500	-01	POWER SUPPLY ASSEMBLY	A	*
4	1	EA		W 5300706	-72	POWER CORD ASSEMBLY (230 VAC) 72 INCH	A	*
5	1	EA		W 8600043	-01	LABEL, OPERATING VOLTAGE 230 VAC	A	*
7	1	EA		W 5300685	-72	CABLE ASSY - POWER	A	*

12	1	EA		W 0101500	333	POWER SUPPLY ASSEMBLY	A	*

REVISIONS

REV	EN	CHG CODE	DESCRIPTIONS	DR	APPD
C	87139		REVISED NOTES 1 & 3C -- ADDED FIGURES 6A & 6B	TW	WPM 6/21/6
C1	87149		ADDED -333 VERSION	GR	WPM 6/27/6

DWG NO. 01A1879

DASH NUMBER CHART

PART NUMBER	MODEL NO.	VAC	AMPS	HERTZ	DESCRIPTION
01P1879-000	-	115	5	50/60	With I/O Cable
01P1879-001	-	230	2.5	50/60	Without I/O Cable
01P1879-002	70-9941	115	5	50/60	Turn-On from V73 Power Supply
01P1879-003	-	230	2.5	50/60	Turn-On from V73 Power Supply
01P1879-004	620f-195-5	115	5	50/60	Turn-On from 620/f-100 or Heavy Duty Power Supply
01P1879-005	-	230	2.5	50/60	Turn-On from Identical Power Supply
01P1879-006	620L-195-5	115	5	50/60	Turn-On from Identical Power Supply
01P1879-007	-	230	2.5	50/60	Turn-On from V73 Power Supply
01P1879-008	70-4095	115	5	50/60	Turn-On from V73 Power Supply
01P1879-009	-	230	2.5	50/60	Turn-On from V73 Power Supply
01P1879-333		115	5	50/60	WITH I/O CABLE

NEXT ASSEMBLY
MULTI-USAGE

MODEL NO.
MULTI-USAGE

SPERRY UNIVAC

DR	G. Luther	10.21.75
CHK	R. Duston	10.22.75
DSGN	G. LUTHER	10.21.75
ENGR	C. Smith	10.31.75
APPD	C. SMITH	10.31.75
APPD		

CODE IDENT NO. **21101**

THIS DOCUMENT MAY CONTAIN PROPRIETARY INFORMATION AND SUCH INFORMATION MAY NOT BE DISCLOSED TO OTHERS FOR ANY PURPOSE OR USED TO PRODUCE THE ARTICLE OR SUBJECT, WITHOUT PERMISSION FROM SPERRY UNIVAC.

TITLE
POWER SUPPLY OPTION

SIZE	DWG NO.	REV
A	01A1879	C

SHEET 1 OF 9

NOTES : (UNLESS OTHERWISE SPECIFIED)

1. This option provides for a Power Supply to be used as a MASTER (to power CPU) and/or EXPANSION (to power Expansion Chassis).

2. Identify per Specification 98A1163.

3. For converting to 230VAC (01P1879-001, -003, -005, -007, and -009)

A. Remove Power Cord (53A0015-000) and replace with Power Cord 53A0706-072 (F/N 4).

<u>Color</u>	<u>-To</u>
Green	E28
Black	CB1-1
White	CB1-3

B. Remove Jumpers from Transformer T1-1 to T1-3 and T1-2 to T1-4. Connect Jumper from T1-2 to T1-3.

C. If Power Supply is to be Master, (per figure 5), remove Jumper "A" to "B" and connect Jumper "A" to "C" on 44P0672-000 (ref. figure 6A).

If Power Supply is to be Expansion, (per figure 5), Jumper "A" to "B" requires no rework (ref. figure 6B).

D. Remove Voltage Label from Transformer T1 and replace with Voltage Label 26A0043-001 (F/N 6).

4. For installatin into a rack, see installation drawing 93E0406 using F/N 6.

SPERRY UNIVAC

CODE
IDENT NO.
21101

01A1879

SH 2 OF 9

C

REV

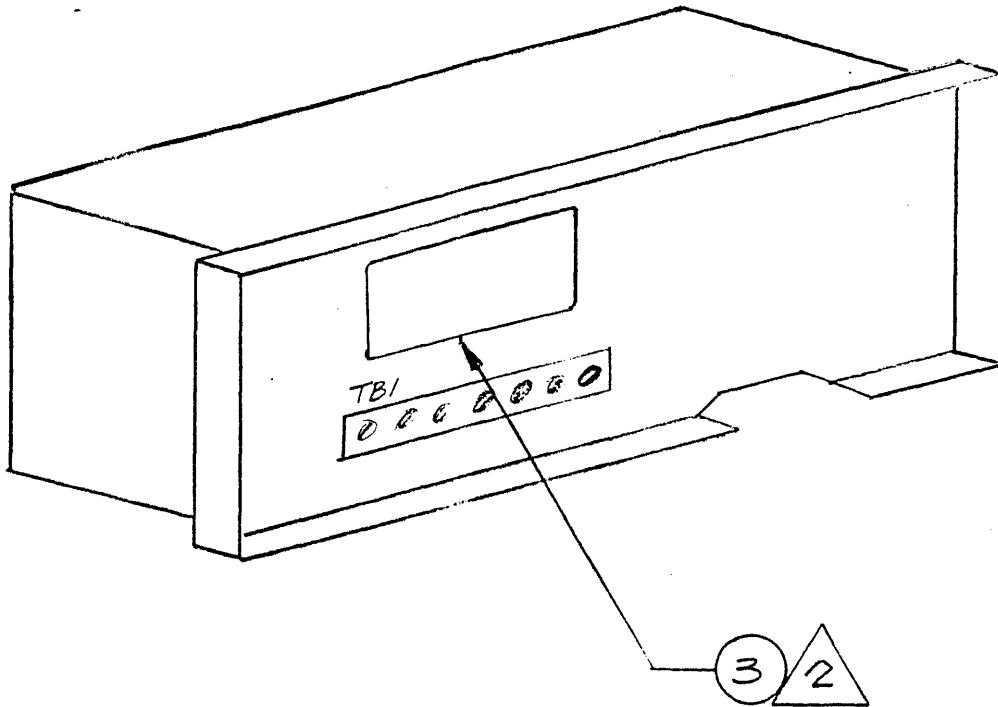


FIGURE 1
01P1879-000 THRU -009, -333

CODE
IDENT NO.
21101

01A1879

C

SH 3 OF 9

REV

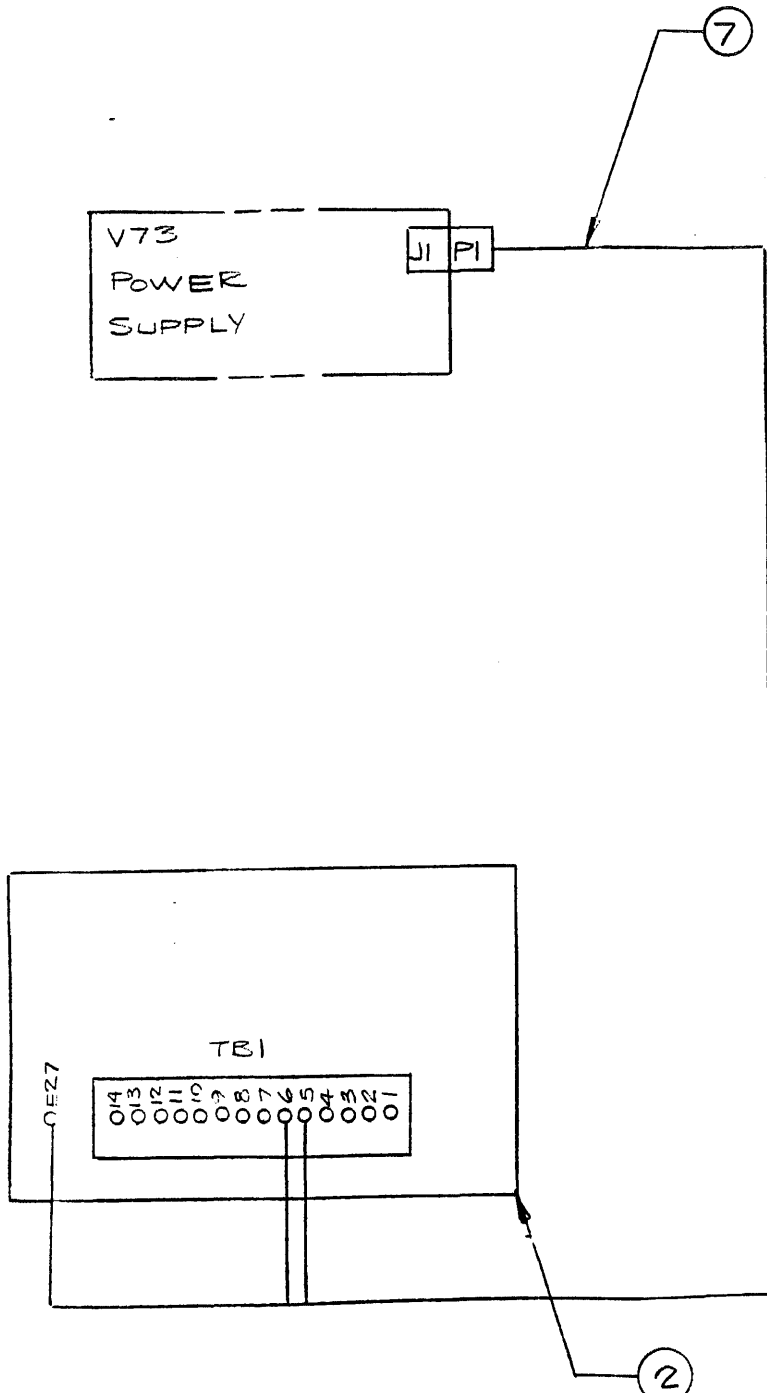


FIGURE 2
01A1879-002, -003, -008 AND -009

CODE
IDENT NO.
21101

01A1879

SH 4 OF 9

C
REV

CODE
IDENT NO.
21101

01A1879
SH 5 OF 9

REV C

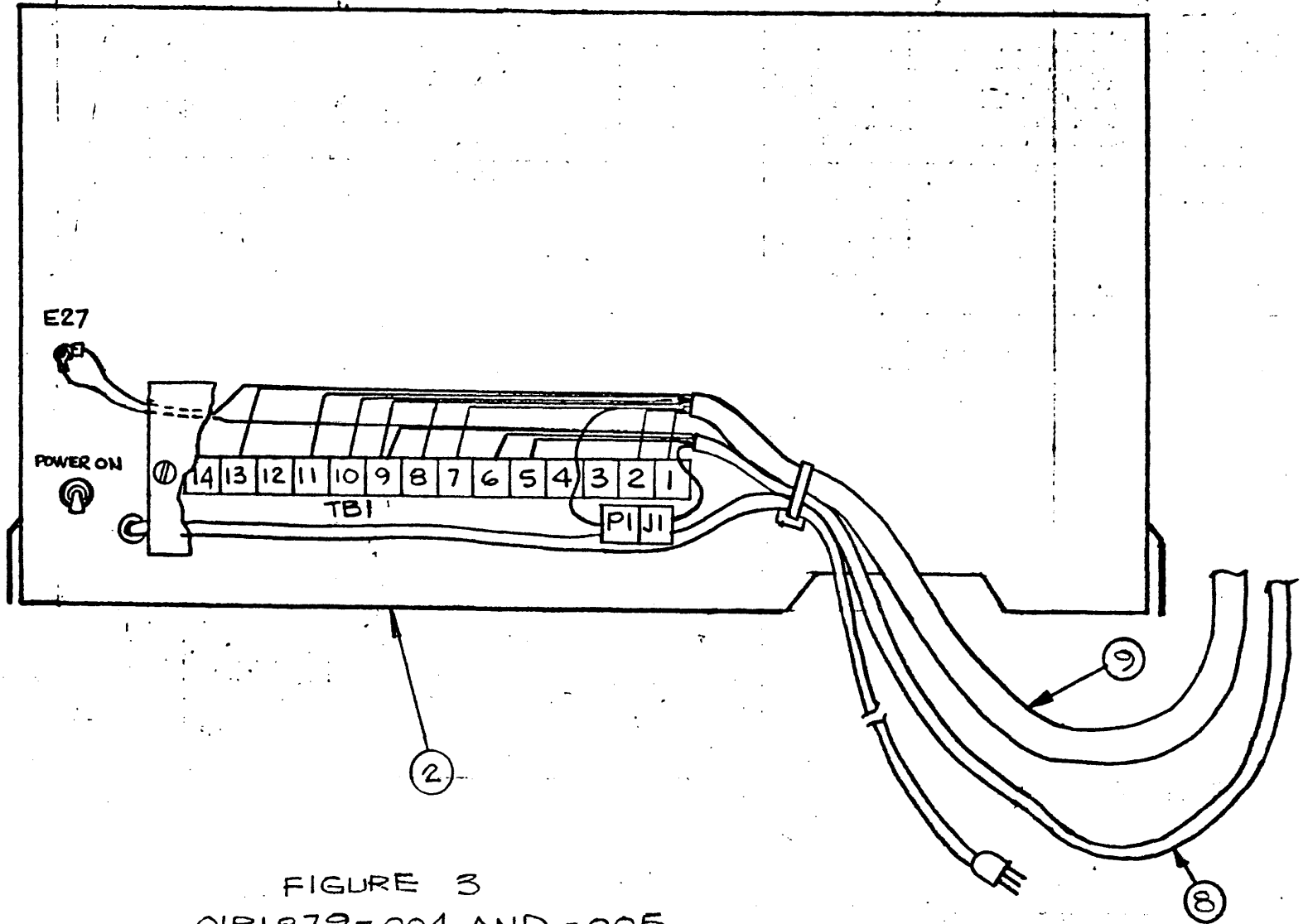
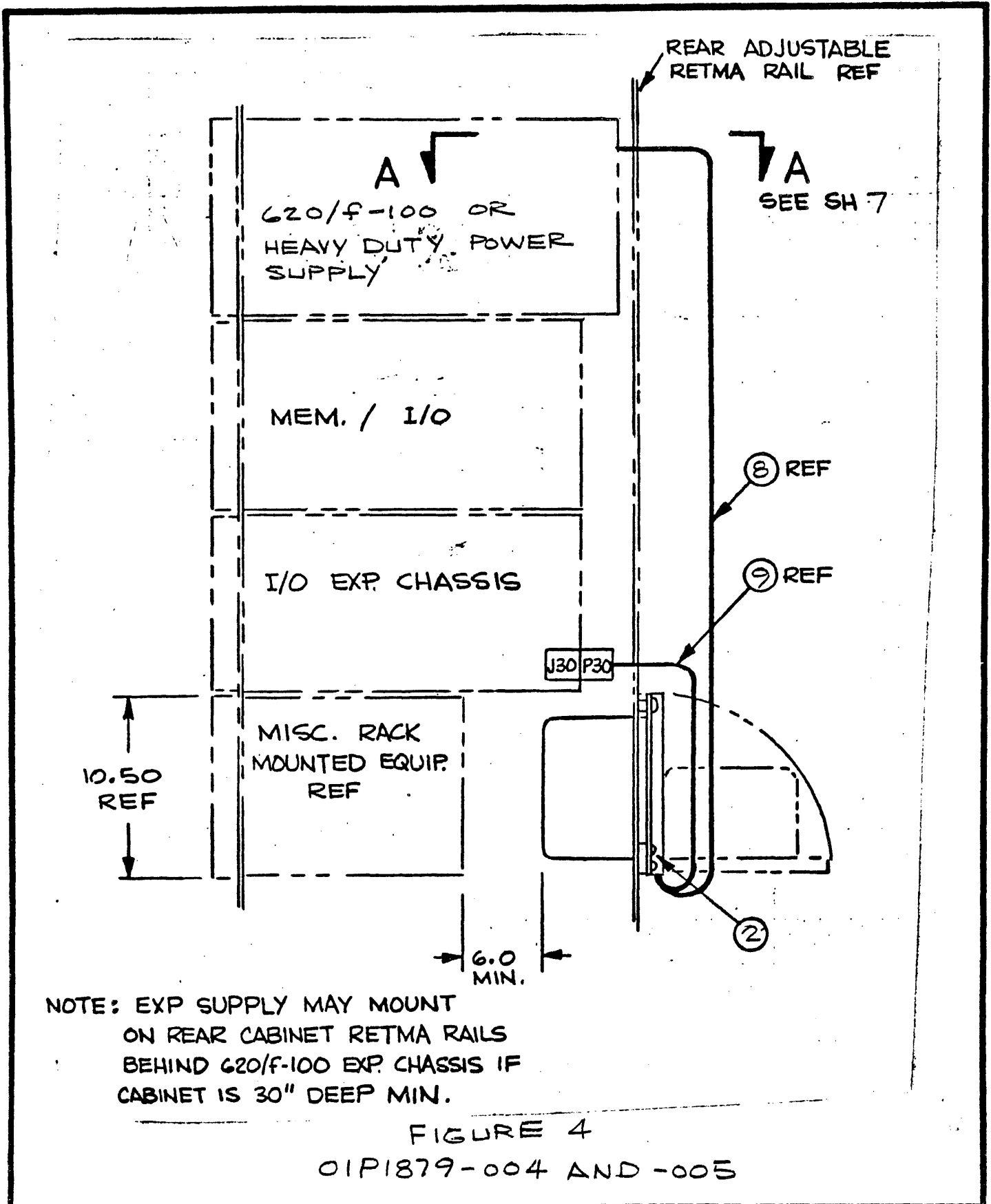


FIGURE 3
01A1879-004 AND -005

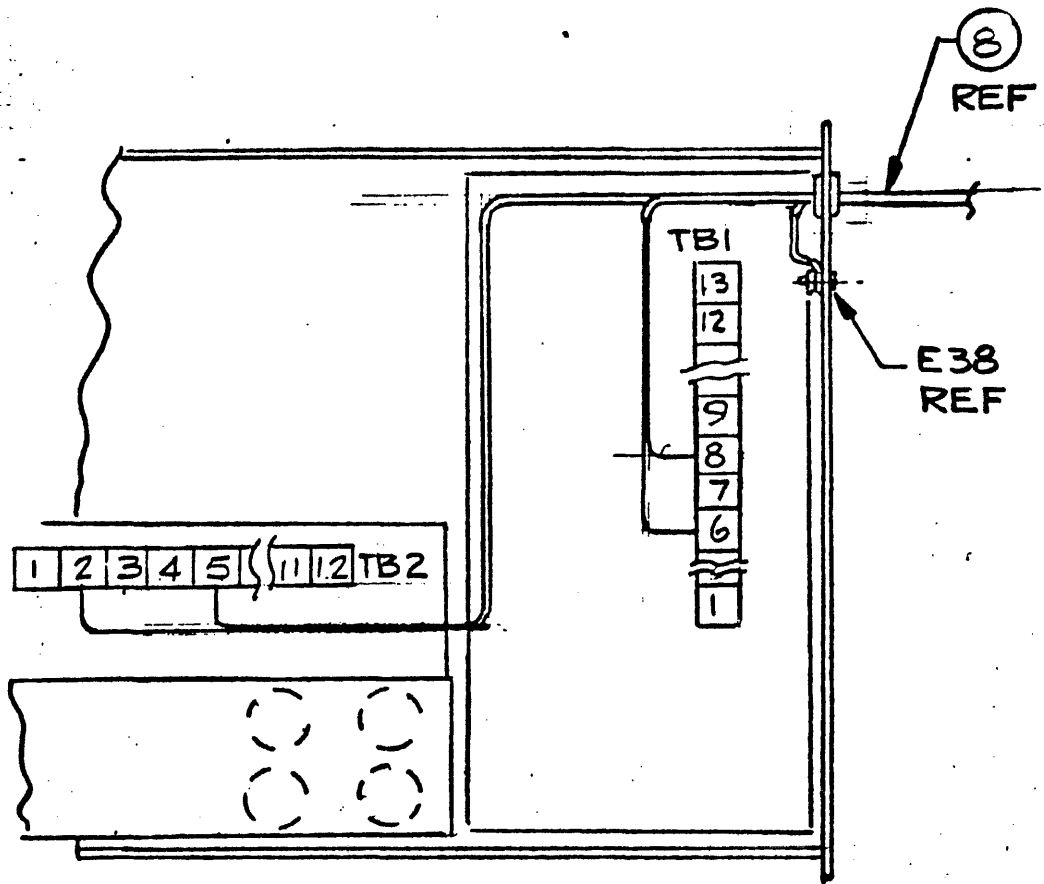


CODE
IDENT NO.
21101

01A1879

SH 6 OF 9

C
REV



VIEW A-A

TOP VIEW - 620/f-100 OR
HEAVY DUTY POWER SUPPLY

CODE
IDENT NO.
21101

01A1879

SH 7 OF 9

C
REV

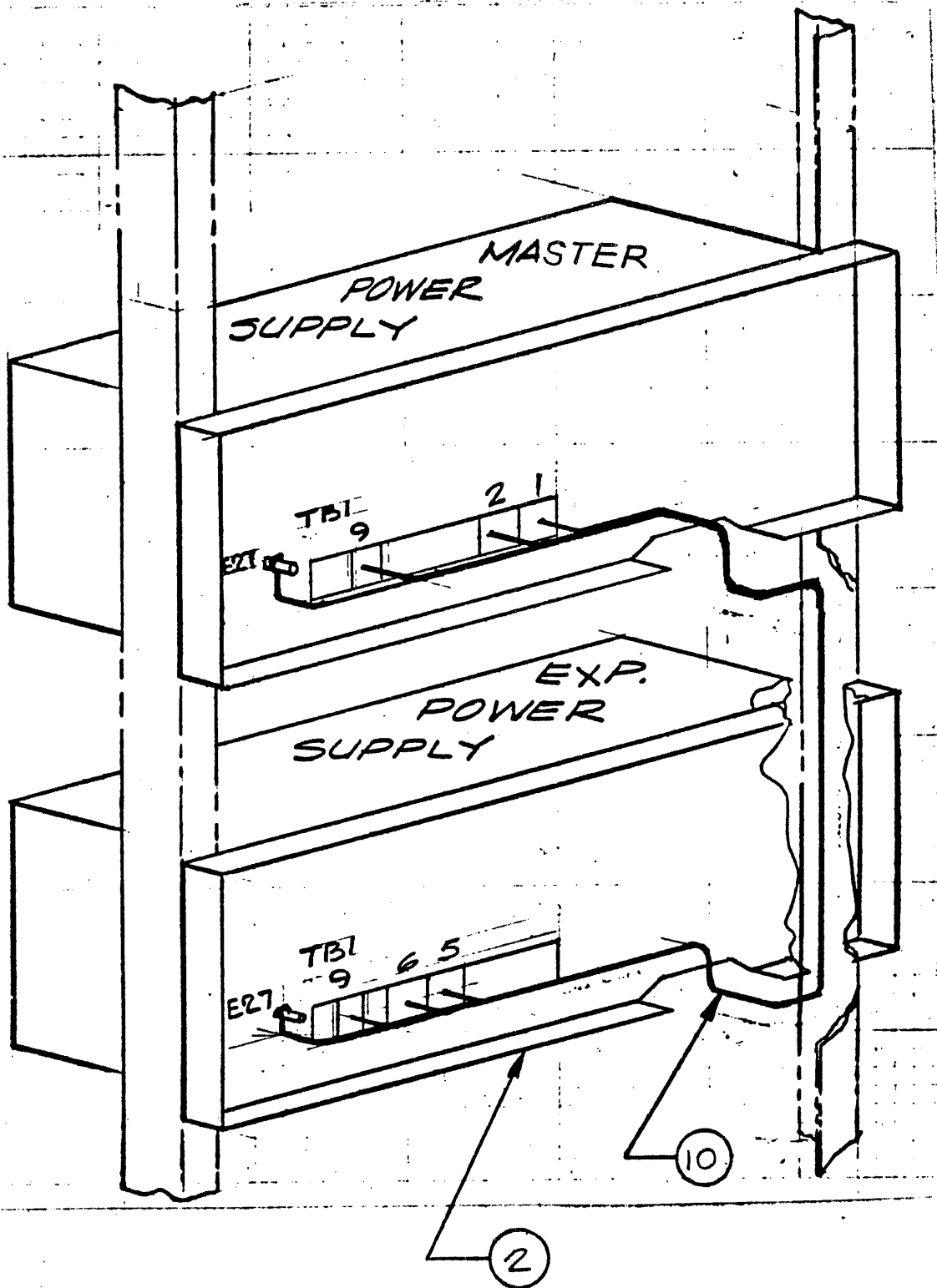


FIGURE 5
OIP1879-006 AND -007

CODE
IDENT NO.
21101

OIA1879

SH 8 OF 9

C
REV

FIGURE 6A

POWER SUPPLY BD ASSY (REF)
FOR MASTER POWER SUPPLY

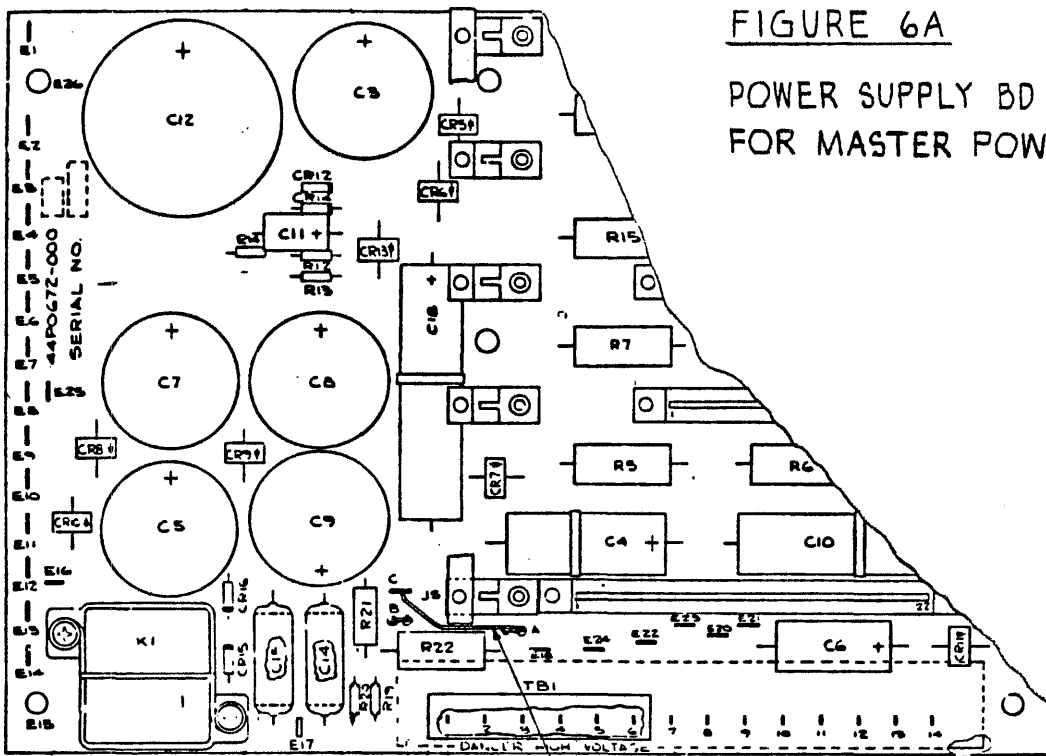
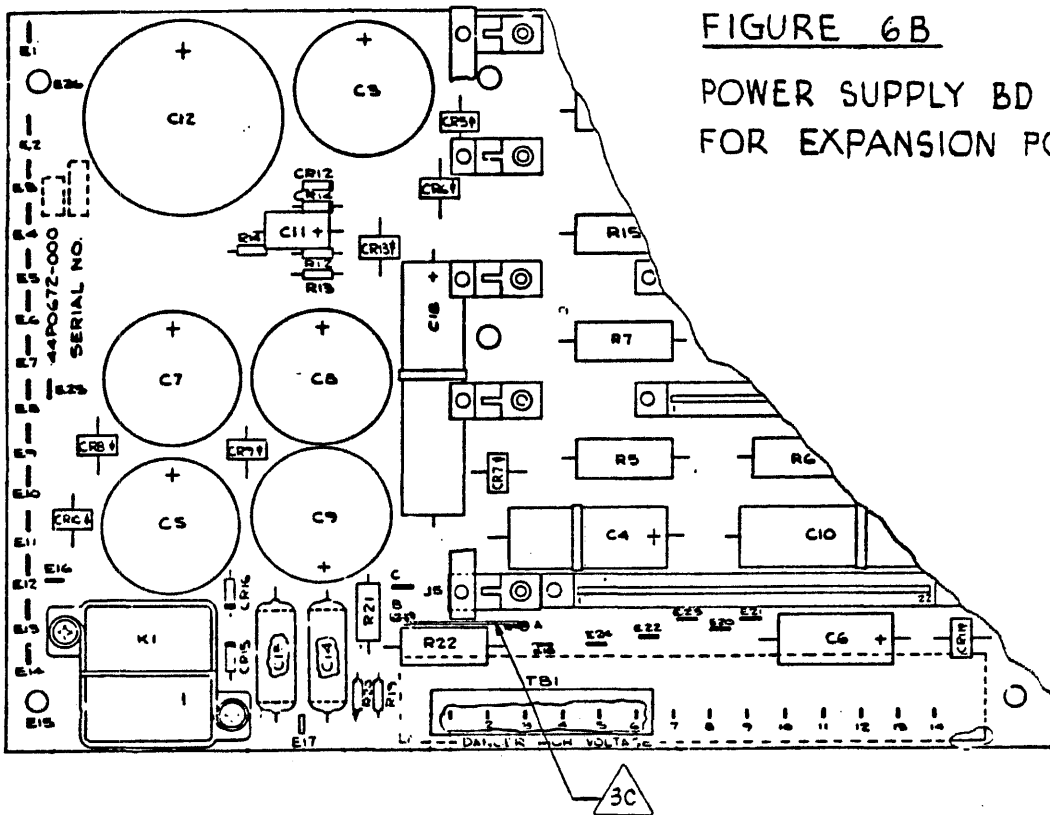


FIGURE 6B

POWER SUPPLY BD ASSY (REF)
FOR EXPANSION POWER SUPPLY



SPERRY UNIVAC

CODE
IDENT NO.
21101

01A1879

C

SH 9 OF 9

REV

SPERRY UNIVAC PARTS LIST

SPERRY UNIVAC IS A DIVISION OF SPERRY CORPORATION

MFG CODE
W, M

ISSUE DATE
81/09/18

CONTROL
W 777

PL
DOC NO.
W0101500

AC
1
SHEET
1

TITLE POWER SUPPLY ASSEMBLY				PCC	ADC	PCD	COMM CODE	GA	U/M EA	ST A	TYPE M	SIZE C	CLASS A
---------------------------------------	--	--	--	-----	-----	-----	-----------	----	-----------	---------	-----------	-----------	------------

FIND NO.	QUANTITY REQUIRED	U/M	PCC	PART OR IDENT NO.		EIR AND PART DESCRIPTION INFORMATION	ECC	ST	CHG
				DOCUMENT NO.	DASH				
Z009				W 95001	-01	PL REV J, PIC REV H, RANGE 00 -333 EIR RELEASED 81/09/17			*
Z008				W 87960	-01	PL REV H, PIC REV H, RANGE 00 -333 EIR RELEASED 80/05/19			
*****	*****	***	** *	*****	****	***** COMMON DATA *****			
2	4	EA		6601825	-00	PC ASSEMBLY-HEAT SINK BOARD *			A *
3	1	EA		W4400528	-00	PC ASSEMBLY -REGULATOR DM305			A
4	1	EA		W4400672	-00	PC ASSEMBLY POWER SUPPLY DM400			A
7	2	EA		W5300593	-00	CABLE ASSY - JUMPER			A
9	1	EA		W7800099	-02	CIRCUIT BREAKER 2 POLE 120/240VAC 7.5A			A
				REF DES (1)		CB1			
10	1	EA		W8400002	-03	FAN, AXIAL 115CFM 115V50/60HZ			A
				REF DES (1)		B1			
11	1	EA		W8000037	-00	TRANSFORMER, POWER, STEP-DOWN 2WDGS230VMAXOUT10WDGS 15VMAX			A
				REF DES (1)		T1			
13	1	EA		W5300345	-03	CABLE ASSY, SPEC PURPOSE, ELEC 72.00 IN.			A
17	ARI	IN		W5400001	124	INSULATION SLEEVING, ELEC SIZE 24 BLACK .022 ID			A
18	1	EA	H	3156579	-03	STRAP, TIE, ELEC COMPONENTS .060- .620BUNDLE DIA NON MTG			A
19	1	EA		W2600013	-00	HANGER STRAP TIE N PLN F/MED SIZE TIES			A
20	1	EA		W0400619	-00	COVER PLATE			A
21	1	EA		W1700019	-02	HEAT SINK ELEC-ELECTRONIC COMP 4.10 X 3.75 X 1.00AL			A
22	2	EA		W0400636	-00	BRACKET, HEAT SINK MTG			A
24	1	EA		W2400022	-01	BUSHING, STRAIN RELIEF, CABLE CABLE DIA .325-.360 PNL .125			A
25	2	EA		W0400763	-00	BRACKET FAN			A
26	4	EA		W7600008	-00	RECTIFIER, CONTROLLED 12 AMP, 100 V			A
				REF DES (1)		CR1 THRU CR4			
27	1	EA		3007331	-00	RECTIFIER, CONTROLLED-SILICON 11 (RMS) 35A VRRM-VDRM 50V			A

SPERRY UNIVAC PARTS LIST
 SPERRY UNIVAC IS A DIVISION OF SPERRY CORPORATION

MFG CODE
 W, M

ISSUE DATE
 81/09/18

CONTROL
 W 777

DOC NO.
PL W0101500

C
 1

SHEET
 2

TITLE POWER SUPPLY ASSEMBLY				PCC	ADC	PCD	COMM CODE	CA	U/M	ST	TYPE	SIZE	CLASS
									EA	A	M	C	A

FIND NO.	QUANTITY REQUIRED	U/M	PCC	PART OR IDENT NO.		EIR AND PART DESCRIPTION INFORMATION	ECC	ST	CHG
				DOCUMENT NO.	DASH				
				REF DES (1)	W1				
28	2	EA		W7000006	-00	CAPACITOR, FIXED, PLASTIC DIELECTRIC 600V 20% 47 PF			A
				REF DES (1)	C1 C2				
29	1	EA		W7100350	685	CAPACITOR, FIXED, TANTALUM DIELECTRIC 6.80 UF			A
				REF DES (1)	C16				
32	2	EA		W2400043	-01	RIVET, BLIND .126- .250GRIP LG.125 OD AL			A
33	1	EA		W5300015	-01	CORD - POWER, 3 COND 16 AWG 8 FT			A
				REF DES (1)	P101				
35	AR	IN		W5400003	-80	INSULATION SLUGS ELECTRIC HEAT SHRINKABLE SIZE 3/4 , BLACK			A
36	AR	IN		W5400003	-60	INSULATION SLUGS ELECTRIC HEAT SHRINKABLE SIZE 3/8 , BLACK			A
37	1	EA		W5800031	-02	TERMINAL LUG CRPG1416W6 SCR RING			A
38	12	EA		W5800184	-02	TERMINAL, TAB FEMALE, 16-14 AWG .205 X .020			A
39	15	EA		W5800184	-01	TERMINAL, TAB FEMALE, 22-18 AWG .205 X .020			A
40	4	EA		W5800116	-00	TERMINAL, TAB, RECEPTACLE 14 16W.160INS DIA F/.300W TAB			A
41	AR	IN		W5300454	-93	WIRE, ELECTRICAL 16 AWG WHITE			A
42	AR	IN		W5300454	-94	WIRE, ELECTRICAL 18 AWG WHITE			A
43	AR	IN		W5300454	194	WIRE, ELECTRICAL 22 AWG WHITE			A
44	AR	IN		W5300655	-00	WIRE, ELECTRICAL 14 AWG WHITE			A
46	1	EA		W8600043	-00	LABEL, IDENTIFICATION THIS SUPPLY RED LTR WHI BKGD			A
48	2	EA		W7900025	-34	INSULATOR, WASHER O.D. .750 I.D. .255			A
49	1	EA		W7900050	-03	INSTALLATION KIT TRANSISTOR SPACER			A
50	1	EA		W7900050	-04	INSTALLATION KIT TRANSISTOR WASHER			A
51	1	EA		W5800041	-05	TERMINAL LUG CRPG1622W.250SCR RING			A
52	1	EA		W7900050	-01	INSTALLATION KIT TRANSISTOR JAM NUT 1/4-28			A
53	1	EA		W5800116	-01	TERMINAL, TAB, RECEPTACLE 10 12W.250INS DIA F/.300W TAB			A

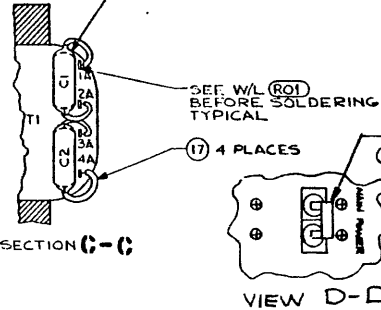
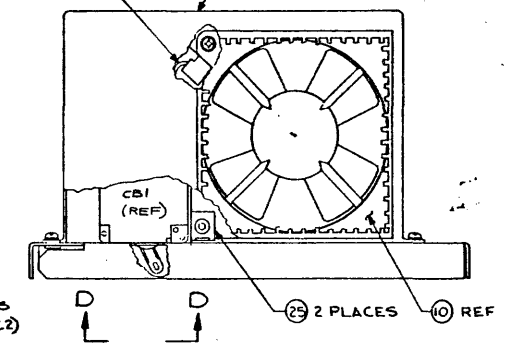
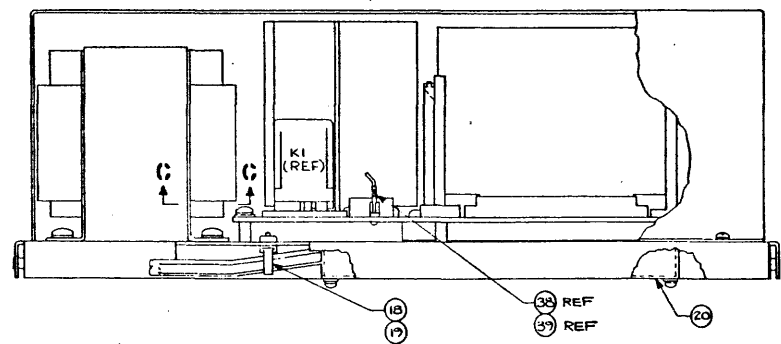
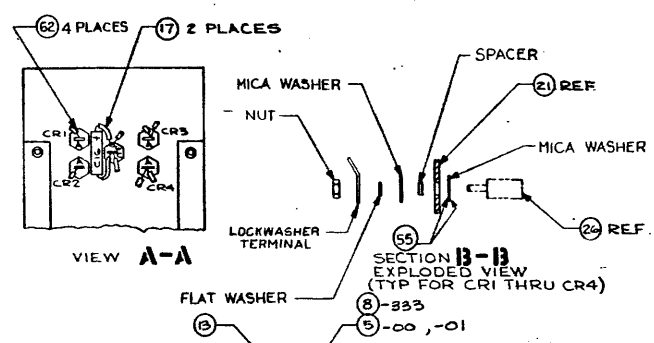
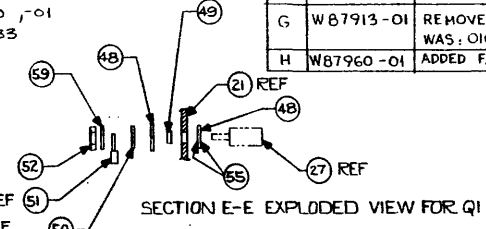
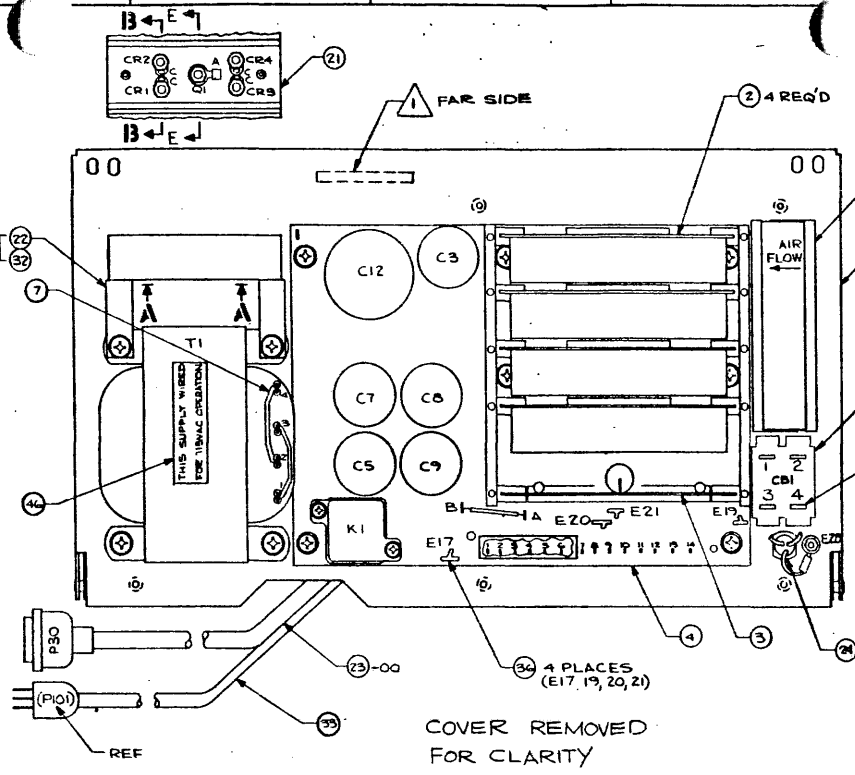
SPERRY UNIVAC PARTS LIST
 SPERRY UNIVAC IS A DIVISION OF SPERRY CORPORATION

MFG CODE: W, M
 ISSUE DATE: 81/09/18
 CONTROL: W 777
 DOC NO.: **PL** W0101500
 AC: 1
 SHEET: 3

TITLE: POWER SUPPLY ASSEMBLY
 PCC: ADC: PCD: COMM CODE: CA: U/M: ST: TYPE: SIZE: CLASS:
 EA: A: M: C: A:

FIND NO.	QUANTITY REQUIRED	U/M	PCC	PART OR IDENT NO.		EIR AND PART DESCRIPTION INFORMATION	ECC	ST	CHG
				DOCUMENT NO.	DASH				
54	AR	IN		W5300453	-56	CABLE, SPECIAL PURPOSE, ELEC 22 AWG BLACK & GREEN			A
55	AR	OZ		W9000023	-00	THERMAL JOINT COMPOUND OPAQUE WHITE			A
59	1	EA		W2204201	-02	WASHER, LOCK, FLAT, INI TEETH SST PASS.025T .256 ID .478 OD			A
62	4	EA		6601268	-00	PARTS MOUNTING KIT - 10-32 STUD * NO PICTURE			A
F001		X		W9500990	-00	SCHEMATIC - POWER SUPPLY			A
F002		X		W9500991	-00	WIRE LIST - POWER SUPPLY			A
S001		X		SW01163	-00	MARKING, MECHANICAL SPECS DSGN-F/GENERAL IDENTIFICATION			A
S002		X		SW00536	-00	THREADED FASTENERS SPECS DSGN-SELECTION-INSTALLATION			A
*****	*****	***	*	*****	****	***** VAR DATA PART - 00 *****			A
1	1	EA		W0400610	-02	BASE, POWER SUPPLY			A
5	1	EA		W0400608	-00	COVER, POWER SUPPLY			A
23	1	EA		W5300569	-48	CABLE ASSY - PWR SUPPLY CPU			A
*****	*****	***	*	*****	****	***** VAR DATA PART - 01 *****			A
1	1	EA		W0400610	-02	BASE, POWER SUPPLY			A
5	1	EA		W0400608	-00	COVER, POWER SUPPLY			A
*****	*****	***	*	*****	****	***** VAR DATA PART -333 *****			A
6	1	EA		W0400894	-01	BASE, MODIFIED, PWR SUPPLY			A
8	1	EA		W0400893	-00	COVER, MODIFIED, PWR SUPPLY			A

REV		EN/EIR		DESCRIPTION		PR	APPD
A		84215		PRODUCTION RELEASE			
B		84983	1	ZONE E6 & E7 WAS E18, ZONE E5 ALLED TERMINAL IDENTIFICATION, REVISED DWG & CHANGED E27 TO E28, REVISED VIEW D-D & B-B, ZONE 7H, ADDED E-E & REVISED TERMINAL AT Q1, ZONE G3 ADDED E-E, LINED OUT G/N2 ADDED G/N67, REVISED G/N5			93
B1		87149		ADDED - 333 VERSION			
		W 87823-36		RELEASED TO API			
G		W 87913-01		REMOVED - 333 FROM ZN E.7. DOC NO. WAS: OIC1500		T.N	
H		W 87960-01		ADDED F/N 62 AT ZN E4		T.N	18



DASH NUMBER CHART	
PART NUMBER	DESCRIPTION
WO101500-00	POWER SUPPLY WITH OUTPUT CABLE
WO101500-01	POWER SUPPLY WITHOUT OUTPUT CABLE
WO101500-333	POWER SUPPLY WITH OUTPUT CABLE

PART NO. SEE TABULATION IDENT NO.		FOR MATL REQUIREMENTS SEE PL PL REV LETTER CONTROLS DOCUMENT.	
SCALE: 1:1	DATE: 11/1/50	SCALE: 1:1	DATE: 11/1/50
SPERRY UNIVAC		POWER SUPPLY ASSEMBLY	
21101 C	WO101500		

- 8. SCHEMATIC (FO1)
- △ TERMINAL IDENT NO. DO NOT APPEAR ON PART NUMBERS FOR REF PURPOSES ONLY.
- 6. DISCARD ANY HARDWARE SUPPLIED WITH F/N 26 & 27.
- 5. TORQUE NUT ON CRI THRU CR4 STUD 15 IN-LBS AND Q1 STUD 30 IN-LBS.
- 4. USE HARDWARE IN ACCORDANCE WITH (S02)
- 3 WIRE PER (F02)
- △ SUPPLIED WITH F/N 26
- △ IDENTIFY PER (S01)

NOTE: UNLESS OTHERWISE SPECIFIED

WO101500 H

SPERRY UNIVAC PARTS LIST

SPERRY UNIVAC IS A DIVISION OF SPERRY CORPORATION

MFG CODE
W, M

ISSUE DATE

81/11/19

CONTROL

W 777

DOC NO.

PL

6601825

AC

1

SHEET

1

TITLE
PC ASSEMBLY-HEAT SINK BOARD

PCC

ADC

PCD

COMM CODE

CA

U/M
EA

ST
A

TYPE
AP

SIZE
D

CLASS
A

FIND NO.	QUANTITY REQUIRED	U/M	PCC	PART OR IDENT NO.		EIR AND PART DESCRIPTION INFORMATION	ECC	ST	CHG
				DOCUMENT NO.	DASH				
2002				W 95076	-01	PL REV B, PIC REV A, RANGE 00 - 00 EIR RELEASED 81/11/19			*
2001				W 94859	-01	PL REV A, PIC REV A, RANGE 00 - 00 EIR RELEASED 81/06/11			
*****	*****	***	*	*****	****	* VAR DATA PART - 00 *****			A
1	1	EA		W4000467	-00	PC BOARD - HEAT SINK DM316			A
2	1	EA		W1700019	-01	HEAT SINK ELEC-ELECTRONIC COMP 5.00 X 3.75 X 1.00AL			A
3	4	EA		W2400012	-00	BUSHING, SLEEVE SEE TABULATION ON DRAWING			A
4	2	EA	Q	9008533	-01	TSTR NPN VCBO 70V 200W BETA15	0		A
				REF DES (1)	Q1,Q2				
5	2	EA		W7900017	-02	INSULATOR PLATE .003 THK FOR TO-220			A *
6	AR	OZ		W9000023	-00	THERMAL JOINT COMPOUND OPAQUE WHITE			A
7	4	EA		W2100062	-17	SCREW, MACH, PAN HEAD SST PASS XREC 4-40 .625			A
8	4	EA		W2204401	-08	WASHER, LOCK, FLAT, INT TEETH SST PASS.016T .116 ID .270 OD			A
9	4	EA		W2300025	-01	NUT, PLAIN, HEXAGON SST PASS .188AFLT 4-40.057			A
10	8	EA		W2204400	-01	WASHER-FLAT, NO.4 .250 OD,.125 ID,.028 THK			A
5001		X		SW01163	-00	MARKING, MECHANICAL SPECS DSGN-F/GENERAL IDENTIFICATION			A
5002		X		SW00536	-00	THREADED FASTENERS SPECS DSGN-SELECTION-INSTALLATION			A

SPERRY UNIVAC PARTS LIST

SPERRY UNIVAC IS A DIVISION OF SPERRY CORPORATION

MFG CODE
W, M

ISSUE DATE

81/11/19

CONTROL

W 777

PL

DOC NO.

W4400518

AC

1

SHEET

1

TITLE PC ASSEMBLY - HEAT SINK BOARD					PCC	ADC	PCD	COMM CODE	CA	U/M EA	ST I	TYPE M	SIZE D	CLASS A
--	--	--	--	--	-----	-----	-----	-----------	----	-----------	---------	-----------	-----------	------------

FIND NO.	QUANTITY REQUIRED	U/M	PCC	PART OR IDENT NO.		EIR AND PART DESCRIPTION INFORMATION	ECC	ST	CHG
				DOCUMENT NO.	DASH				
2007				W 95076	-01	PL REV G, PIC REV F, RANGE 00 - 00 EIR RELEASED 81/11/19			*
2006				W 94643	-01	PL REV F, PIC REV F, RANGE 00 - 00 EIR RELEASED 81/03/10			
*****	*****	***	**	*	*****	***** COMMON DATA *****			
1	1	EA		W4000467	-00	PC BOARD - HEAT SINK DM316			A
2	1	EA		W1700019	-01	HEAT SINK ELEC-ELECTRONIC COMP 5.00 X 3.75 X 1.00AL			A
7	4	EA		W2400012	-00	BUSHING, SLEEVE SEE TABULATION ON DRAWING			A
8	2	EA	Q	9008533	-01	TSTR NPN VCBO 70V 200W BETA15	0		A
				REF DES (1)	Q1 Q2				
9	2	EA		W7900017	-02	INSULATOR PLATE .003 THK FOR TO-220			A *
10	AR	OZ		W9000023	-00	THERMAL JOINT COMPOUND OPAQUE WHITE			A
S001		X		SW01163	-00	MARKING, MECHANICAL SPECS DSGN-F/GENERAL IDENTIFICATION			A
S002		X		SW00536	-00	THREADED FASTENERS SPECS DSGN-SELECTION-INSTALLATION			A
*****	*****	***	*	*****	*****	SUPERSEDED BY 6601825-00 VAR DATA PART - 00 *****			I
				W 94643	-01	ABOVE PART INACTIVE FOR NEW DESIGN 81/03/10			

W 03/07/80

W777

M

A

PL

W 4400528

1

T

TITLE

PC ASSEMBLY - REGULATOR DM305

CL U/M

A EA

AC

1

DOC. SIZE

D

RANGE

THRU

ISSUE

PIC. REV.

T

FIND NO.	QUANTITY REQUIRED	U/M	SIZE	PART OR IDENT. NO.		NOMENCLATURE OR DESCRIPTION	S	C	H	G
				DOCUMENT NO.	DASH					
Z17				W-94141	-01	PL REV T, PIC REV T, RANGE 00 - 01 EIR RELEASED 02/06/80				
Z16				W-87474	-11	PL REV S, PIC REV J, RANGE 00 - 01 EIR RELEASED 08/30/79				
***** COMMON DATA *****										
1	1	EA		W 4000475	-00	PC BOARD - REGULATOR (DM305)				A
				NOTE		USE REVISION G				
2	4	EA		6630012	-01	CAPACITOR, FIXED, CERAMIC (AXI .002 UF, 50VDC, +80%, -20%				A
				REF DES	1	C1 C2 C3 C6				
3	1	EA		6630012	-11	CAPACITOR, FIXED, CERAMIC (AXI .100 UF, 50VDC, +80%, -20%				S
				REF DES	1	C4				
4	1	EA		W 7200023	-01	CAPACITOR ELECTROLYTIC 15V 950 UF				A
				REF DES	1	C5				
5	1	EA		W 7700026	-00	SEMICONDUCTOR DVC DIODE ZENER 2.40V NOM 5% 400MW PL DSPN				A
				REF DES	1	CR6				
6	1	EA		W 7700751	-00	DIODE, AXIAL LEAD				A
				REF DES	1	CR3				
7	2	EA		W 7704003	-00	SEMICONDUCTOR DEV, DIODE SIL 200 VOLTS				A
				REF DES	1	CR4 CR5				
8	4	EA		W 4900103	-01	REGULATOR, VOLTAGE 9.5-40.0V IN, 2.0-37.0V OUT				A
				REF DES	1	IC1 THRU IC4				
9	4	EA		W 7600007	-00	POWER TRANSISTOR, NPN TU-66 CASE				A
				REF DES	1	Q1 Q2 Q3 Q5				
10	1	EA		W 7602904	-00	TRANSISTOR - SILICON TU-5 METAL CASE				A
				REF DES	1	Q4				
11	1	EA		W 5800016	-00	TEST POINT - JACK BLACK				A
				REF DES	1	TP5				
12	1	EA		W 5800016	-01	TEST POINT - JACK BROWN				A



UNIVAC

PARTS LIST

SPERRY UNIVAC IS A DIVISION OF SPERRY RAND CORP.

MFG. CODE

ISSUE DA

CONTROL

CA

TYPE

COMM. CODE

ST.

PL

DOC. NO

W 4400528

PL REV.

2

T

TITLE

PC ASSEMBLY - REGULATOR DM305

CL U/M

A EA

AC

1

DOC. SIZE

D

RANGE

THRU

ISSUE

PIC. REV.

T

FIND NO.	QUANTITY REQUIRED	U/M	S I Z E	PART OR IDENT. NO.		NOMENCLATURE OR DESCRIPTION	S P	C H G
				DOCUMENT NO.	DASH			
				REF DES	1 TP3			
13	1	EA		W 5800016	-02	TEST POINT - JACK RED		A
				REF DES	1 TP4			
14	1	EA		W 5800016	-03	TEST POINT - JACK ORANGE		A
				REF DES	1 TP1			
15	1	EA		W 5800016	-04	TEST POINT - JACK YELLOW		A
				REF DES	1 TP2			
16	1	EA		W 6502500	100	RESISTOR, FIXED COMP, 1/4W, 5%10 OHMS		A
				REF DES	1 R25			
18	5	EA		W 6502500	680	RESISTOR, FIXED COMP, 1/4W, 5%68 OHMS		A
				REF DES	1 R1 R11 R21 R22 R37			
19	1	EA		W 6502500	910	RESISTOR, FIXED COMP, 1/4W, 5%91 OHMS		A
				REF DES	1 R24			
20	3	EA		W 6502500	101	RESISTOR, FIXED COMP, 1/4W, 5%100 OHMS		A
				REF DES	1 R2 R23 R34			
21	2	EA		W 6502500	201	RESISTOR, FIXED COMP, 1/4W, 5%200 OHMS		A
				REF DES	1 R12 R26			
25	6	EA		W 6502500	102	RESISTOR, FIXED COMP, 1/4W, 5%1000 OHMS		A
				REF DES	1 R10 R13 R16 R18 R27 R28			
28	2	EA		W 6502500	182	RESISTOR, FIXED COMP, 1/4W, 5%1800 OHMS		A
				REF DES	1 R8 R39			
30	1	EA		W 6600011	-15	RESISTOR - WIRE MOLDED 2 WATT 1.0 OHMS		A
				REF DES	1 R33			
31	2	EA		W 6600000	188	RESISTOR, 1/4W 1% FIXED COMP 909 OHMS		A
				REF DES	1 R14 R31			
35	4	EA		W 6400023	-00	POTENTIOMETER 2K		A

W 03/07/80

W777

M

A

PL

W 4400528

3

T

TITLE

PC ASSEMBLY - REGULATOR DM305

CL U/M

A EA

AC

1

DOC. SIZE

D

RANGE

THRU

ISSUE

PIC. REV.

T

FIND NO.	QUANTITY REQUIRED	U/M	PART OR IDENT. NO.		NOMENCLATURE OR DESCRIPTION	S	C
			DOCUMENT NO.	DASH			
			REF DES	1	R5 R17 R32 R42		
36	1	EA	W 1700021	-00	HEAT SINK MOUNTING PATTERN TU-66	A	
37	AR	EA	W 0400011	-00	PAD - TRANSISTOR (T0-5)	A	
38	AR	IN	W 5300003	-04	WIRE BUS 24 AWG	A	
39	AR	IN	W 5400001	122	INSULATION SLEEVING, ELEC SIZE 22 BLACK .028 ID	A	
40	4	EA	W 0400620	-00	MOUNTING PAD 10 HOLE	A	
52	1	EA	W 6600000	164	RESISTOR, 1/4W 1% FIXED COMP 511 OHMS	A	
			REF DES	1	R30		
F01		X	W 9100318	-00	LOGIC - REGULATOR BD DM305	A	
S01		X	SW01163	-00	MARKING SPEC PART IDENTIFICATION	A	
S02		X	SW00536	-00	SELECTION & INSTALLATION SPEC MACH SCREWS&ASSOC HARDWARE	A	
***** F3037-00 ***** VARIABLE DATA * 00*****							
22	1	EA	W 6600032	-21	RESISTOR (RN55) FIXED FILM 1540 OHM 1%	A	
			REF DES	1	R20		
23	1	EA	W 6502500	511	RESISTOR, FIXED COMP, 1/4W, 5%510 OHMS	A	
			REF DES	1	R4		
26	1	EA	W 6502500	362	RESISTOR, FIXED COMP, 1/4W, 5%3600 OHMS	A	
			REF DES	1	R7		
27	1	EA	W 6600032	-22	RESISTOR (RN55) FIXED FILM 1180 OHM 1%	A	
			REF DES	1	R29		
29	1	EA	W 6502500	272	RESISTOR, FIXED COMP, 1/4W, 5%2700 OHMS	A	
			REF DES	1	R38		
32	3	EA	W 6600000	209	RESISTOR, 1/4W 1% FIXED COMP 1.50K	A	
			REF DES	1	R6 R15 R41		
34	2	EA	W 6600000	246	RESISTOR, 1/4W 1% FIXED COMP 3.65K	A	
			REF DES	1	R9 R40		



UNIVAC

PARTS LIST

SPERRY UNIVAC IS A DIVISION OF SPERRY RAND CORP.

MFG. CODE

ISSUE D.

CONTROL

CA

TYPE

COMM. CODE

ST.

PL

DOC. NO.

W 4400528

PL REV.

4

T

TITLE

PC ASSEMBLY - REGULATOR DM305

CL

U/M

AC

DOC
SIZE

RANGE

THRU

ISSUE

PIC. REV.

A

EA

1

D

4

T

FIND NO.	QUANTITY REQUIRED	U/M	S I Z E	PART OR IDENT. NO.		NOMENCLATURE OR DESCRIPTION	S P	C H G
				DOCUMENT NO.	DASH			
50	1	EA		W 6502500	561	RESISTOR, FIXED COMP, 1/4W, 5%560 OHMS	A	
				REF DES	1 R35			
51	1	EA		W 6502500	820	RESISTOR, FIXED COMP, 1/4W, 5%82 OHMS	A	
				REF DES	1 R36			
*****				F3037-00	*****	***** VARIABLE DATA = 01*****		
32	2	EA		W 6600000	209	RESISTOR, 1/4W 1% FIXED COMP 1.50K	A	
				REF DES	1 R6 R15			
34	1	EA		W 6600000	246	RESISTOR, 1/4W 1% FIXED COMP 3.65K	A	
				REF DES	1 R9			
53	1	EA		W 6600032	-16	RESISTOR (RN55) FIXED FILM 3740 OHM 1%	A	
				REF DES	1 R20			
54	1	EA		W 6600032	-20	RESISTOR (RN55) FIXED FILM 3480 OHM 1%	A	
				REF DES	1 R38			
55	1	EA		W 6600000	217	RESISTOR, 1/4W 1% FIXED COMP 1.82K	A	
				REF DES	1 R40			
56	1	EA		W 6600000	228	RESISTOR, 1/4W 1% FIXED COMP 2.37K	A	
				REF DES	1 R41			
57	1	EA		W 6600032	-15	RESISTOR (RN55) FIXED FILM 536 OHM 1%	A	
				REF DES	1 R4			
58	1	EA		W 6600032	-17	RESISTOR (RN55) FIXED FILM 1300 OHM 1%	A	
				REF DES	1 R29			
59	1	EA		W 6600032	-18	RESISTOR (RN55) FIXED FILM 562 OHM 1%	A	
				REF DES	1 R35			
60	1	EA		W 6600032	-19	RESISTOR (RN55) FIXED FILM 82.5 OHM 1%	A	
				REF DES	1 R36			
61	1	EA		W 6600032	-23	RESISTOR (RN55) FIXED FILM 1780 OHM 1%	A	

PARTS LIST

SPERRY UNIVAC IS A DIVISION OF SPERRY RAND CORP.

MFG. CODE

ISSUE DATE

CONTROL

CA

TYPE

COMM. CODE

ST.

DOC. NO.

SHEET

PL REV.

W 03/07/80

W777

M

A

PL

W 4400528

5

T

TITLE

CL

U/M

AC

DOC. SIZE

RANGE

THRU

ISSUE

PIC. REV.

PC ASSEMBLY - REGULATOR DM305

A

EA

1

D

T

FIND NO.	QUANTITY REQUIRED	U/M	SIZE	PART OR IDENT. NO.		NOMENCLATURE OR DESCRIPTION	S	C
				DOCUMENT NO.	DASH			
				REF DES	1 R7			



UNIVAC

PARTS LIST

SPERRY UNIVAC IS A DIVISION OF SPERRY RAND CORP.

MFG. CODE

ISSUE D.

CONTROL

CA

TYPE

COMM. CODE

ST.

DOC. NO.

PL. REV.

W 03/17/80

W 777

M

A

PL

W 4400672

2

E

TITLE

PC ASSEMBLY

CL U/M
A EAAC
1DOC. SIZE
C

RANGE THRU

ISSUE

PIC REV
E

FIND NO.	QUANTITY REQUIRED	U/M	PART OR IDENT. NO.		NOMENCLATURE OR DESCRIPTION	S P	C H G
			DOCUMENT NO.	DASH			
			REF DES	1 CR5 THRU CR13			
13	2	EA	W 7704001	-04	DIODE, SILICON RECTIFIER IN4005	A	
			REF DES	1 CR15 CR16			
14	2	EA	W 7704003	-00	SEMICONDUCTOR DEV. DIODE SIL 200 VOLTS	A	
			REF DES	1 CR12 CR14			
15	2	EA	W 6502500	225	RESISTOR, FIXED COMP, 1/4W, 5%2.2MEG	A	
			REF DES	1 R19 R20			
16	1	EA	W 6600011	-87	RESISTOR - WIRE MOLDED 2 WATT 1K	A	
			REF DES	1 R21			
17	1	EA	W 6600034	-04	RESISTOR, FIXED WIREWOUND 5.0W 10% 5000.00 OHMS	A	
			REF DES	1 R22			
19	2	EA	W 6502500	152	RESISTOR, FIXED COMP, 1/4W, 5%1500 OHMS	A	
			REF DES	1 R12 R13			
20	1	EA	W 6502500	912	RESISTOR, FIXED COMP, 1/4W, 5%9100 OHMS	A	
			REF DES	1 R14			
21	4	EA	W 6502500	201	RESISTOR, FIXED COMP, 1/4W, 5%200 OHMS	A	
			REF DES	1 R2 R4 R16 R18			
22	3	EA	W 6502500	301	RESISTOR, FIXED COMP, 1/4W, 5%300 OHMS	A	
			REF DES	1 R9 R10 R11			
23	4	EA	W 6600034	-01	RESISTOR, FIXED WIREWOUND 5.0W 10% .15 OHMS	A	
			REF DES	1 R1 R3 R15 R17			
24	1	EA	W 6600034	-02	RESISTOR, FIXED WIREWOUND 5.0W 10% .25 OHMS	A	
			REF DES	1 R5			
25	3	EA	W 6600034	-16	RESISTOR, FIXED WIREWOUND 5.0W 5% .10 OHMS	A	*
			REF DES	1 R6 R7 R8			
26	12	EA	W 2100062	-59	SCREW, MACHINE, PAN HEAD 10-32 X .38 INCHES LONG	A	

W 03/17/80

W 777

M

A

PL

W 4400672

3

E

TITLE
PC ASSEMBLY

CL

U/M

AC

1

DOL
SIZE

C

RANGE

THRU

ISSUE

PIC. REV.

E

FIND NO.	QUANTITY REQUIRED	U/M	S I Z E	PART OR IDENT. NO.		NOMENCLATURE OR DESCRIPTION	S P	C H G
				DOCUMENT NO.	DASH			
27	12	EA		W 2200321	-02	WASHER-LOCK - INT TOOTH NO, 10 CRES	A	
28	AR	EA		W 7900003	-03	TAPE, FOAM-BACKED PRESS SENS 1/4 THKNS, 1/2 WIDTH	A	
29	27	EA		W 5800184	-00	TERMINAL, QUICK DISCONNECT MALE .205 X .020	A	
30	1	EA		W 7200017	-01	CAPACITOR ELECTROLYTIC 25V 9,900 UF	A	
				REF DES	1 C3			
31	1	EA		W 7200018	-01	CAPACITOR ELECTROLYTIC 15V .170 OHMS	A	
				REF DES	1 C5			
32	3	EA		W 7200018	-02	CAPACITOR ELECTROLYTIC 15V 23,000 UF	A	
				REF DES	1 C7 C8 C9			
33	1	EA		W 7200017	-02	CAPACITOR ELECTROLYTIC 25V 32,000 UF	A	
				REF DES	1 C12			
34	4	EA		W 2400043	-00	RIVET, POP .125DIA .020 TO .125 GRIP	A	
35	10	EA		W 2400047	-00	NAIL RIVET ALUMINUM	A	
36	1	EA		W 8200028	-01	RELAY, 10A, 120 VAC 3 PDT 120 VAC	A	
				REF DES	1 K1			
37	1	EA		W 2700003	-00	SPRING HOLD-DOWN RELAY	A	
38	2	EA		W 0400635	-00	BRACKET, CARD GUIDE	A	
39	10	EA		W 1100020	-00	CARD GUIDE, MOLDED	A	
40	1	EA		W 5300593	-00	CABLE ASSY - JUMPER	A	
41	3	EA		W 2600012	-00	CLAMP HARNESS - WEDGE LOCK 3.62 X .091	A	
42	1	EA		W 7900058	-00	INSULATOR	A	
43	AR	IN		W 5400003	-40	TUBING, SHRINK SIZE 3/16, BLACK	A	
44	AR	IN		W 5400003	-80	TUBING, SHRINK SIZE 3/4, BLACK	A	
45	1	EA		W 6502500	511	RESISTOR, FIXED COMP, 1/4W, 5X510 OHMS	A	*
				REF DES	1 R23			*
F01		X		W 9500990	-00	SCHEMATIC - POWER SUPPLY	A	

PARTS LIST

SPERRY UNIVAC IS A DIVISION OF SPERRY RAND CORP.

MFG. CODE

ISSUE L

CONTROL

CA

TYPE

COMM. CODE

ST

DOC. NO.

PL REV.

W 03/17/80

W 777

A

PL

W 4400672

4

E

TITLE
PC ASSEMBLY

CL

U/M

AC

DOC. SIZE

RANGE

THRU

ISSUE

PIC REV

A

EA

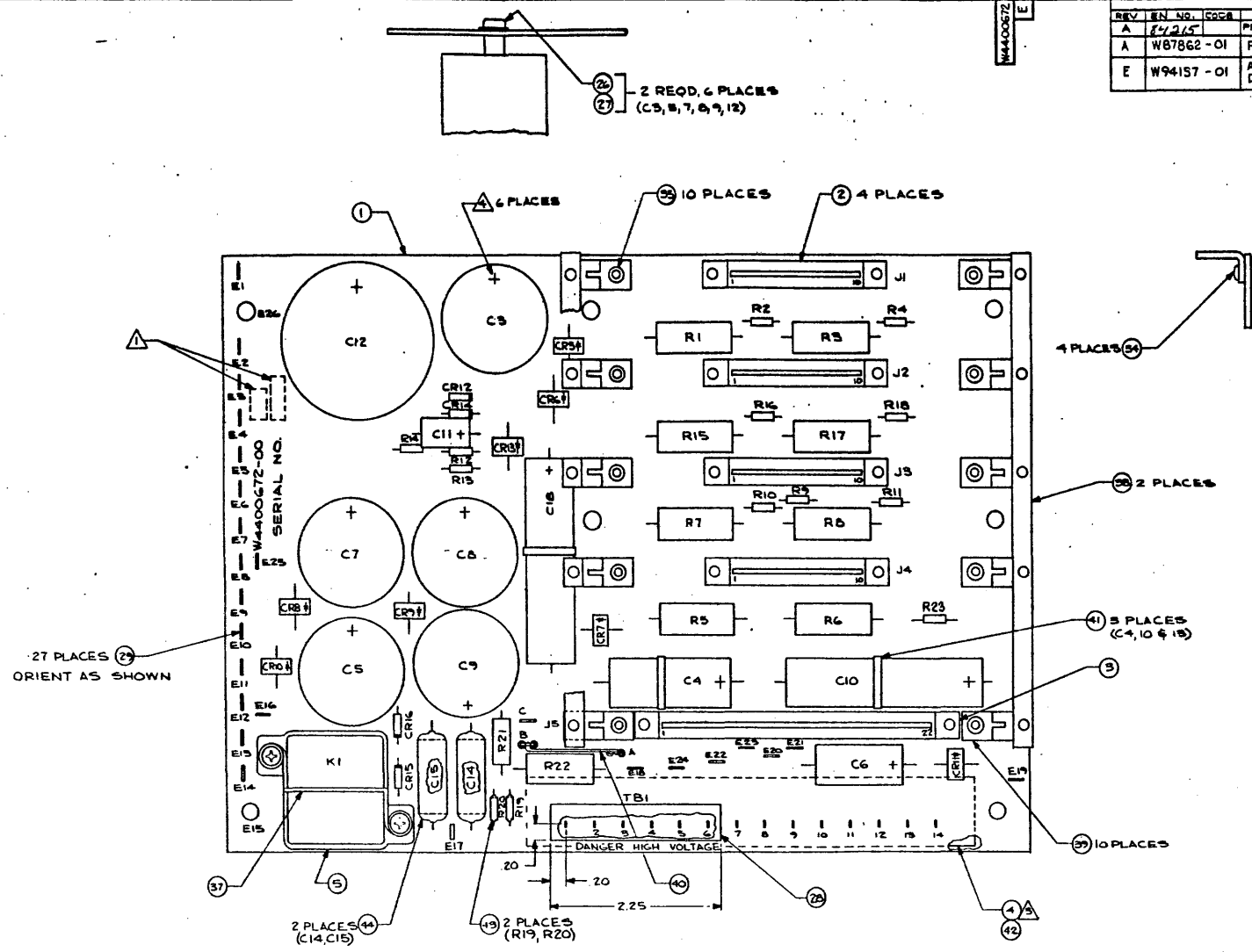
1

C

E

FIND NO	QUANTITY REQUIRED	U/M	SIZE	PART OR IDENT. NO.		NOMENCLATURE OR DESCRIPTION	S P	C H G
				DOCUMENT NO.	DASH			
S01			X	SW01163	-00	MARKING SPEC		
						PART IDENTIFICATION	A	
S02			X	SW00536	-00	SELECTION & INSTALLATION SPEC MACH SCREWS&ASSOC HARDWARE		
							A	
*****						POWER SUPPLY DM400		
*****						* VARIABLE DATA * 00*****		

REV. EN. NO.		DESCRIPTION	DR.	APPD.
A	W440672-01	PRODUCTION RELEASE	TN	7/74
A	W87862-01	RELEASED TO API	TN	
E	W94157-01	ADDED R23 AT EN E-4, UPDATED FORMAT DOCUMENT NO. WAS, 44 CG672	TN	



6. "FIND" NUMBERS FOR PARTS, IDENTIFIED BY REFERENCE DESIGNATIONS, APPEAR IN PART LIST
5. INSTALL FREON SENSITIVE ITEMS (C3 THRU 10, 12, 13 AND K1) AFTER NORMAL CLEANING PROCESS.
4. MARK POLARITY (+) TO AGREE WITH MANUFACTURER'S POLARITY MARKING ON OPPOSITE END OF CAN ON C3, 5, 7, 8, 9 AND 12. MARKING TO BE IN CONTRASTING COLOR, PERMANENT, .18 HIGH.
3. CUT TB1 TABS 1 THRU 6 WITHIN .03 - .06 FROM SURFACE OF BOARD AND COVER WITH F/N 28.
2. USE HARDWARE IN ACCORDANCE WITH (S02)
1. IDENTIFY PER (S01)
- NOTE: UNLESS OTHERWISE SPECIFIED

REFERENCE DRAWINGS
W4000672 PRINTED WIRING BD
W9500990 SCHEMATIC
W9700851 ARTWORK
W9700852 SILKSCREEN
W9700853 SOLDERMASK

PART NO.: W4400672-00 PL REV LETTER CONTROLS DOCUMENT.
FOR MATL REQUIREMENTS SEE PL

MODEL NO. W4400672-00	DATE 10/15/50	REVISIONS A E	DESCRIPTION PC ASSY - POWER SUPPLY	DR. TN	APPD. 7/74
SPERRY-UNIVAC PC ASSY - POWER SUPPLY DM400			COORDINATOR 21101 C W4400672 E	SHEET 1 OF 1	

<p>EFFECTIVITY:</p> <p>This IEN shall be effective until <u>4/6/79</u> or until an EN is issued that <u>lifts this IEN</u>, whichever comes first.</p>	MODEL NO.	IEN NO. <u>87508</u>	
		PAGE <u>1</u> OF <u>2</u> ISSUE DATE <u>3/6/79</u>	
<p>ACTION:</p> <p>This IEN authorizes the performance of rework on the indicated assembly per the rework instructions indicated on RECO <u>8800</u>, attached.</p> <p>Assemblies reworked per this IEN shall be identified with IEN <u>87508</u>, as close to the assembly number as possible.</p> <p>NOTE: This IEN shall not change the revision level of any part/assembly reworked per this IEN.</p>	REFERENCE DOCUMENTS		
	<p>RECO 8800</p>		
<p>LIFT:</p> <p>This IEN lifted by EN _____.</p>	DOCUMENTS AFFECTED:	REV	
		IS	WAS
<p>REISSUE:</p>	<p>OIP1500</p>	<p>IFU</p>	<p>F</p>
	APPROVAL	DATE	
	<p><i>Mary G</i></p>	<p>3/6/79</p>	

REASON FOR CHANGE/INVESTIGATION.
REDUCE INSPECTION CONFIGURATION CONTROL
PROBLEMS WITH (~~DART~~) POWER SUPPLIES.

RECO NO. 08800
PAGE 1 OF 1
ISSUE DATE 3-6-79

MCO MODEL NUMBER

DESCRIPTION OF PROBLEM AND/OR PROPOSED SOLUTION
REV LEVELS OF BOARDS INSIDE POWER
SUPPLIES ARE NOT VISIBLE FOR
INSPECTION.

URGENT-PRODUCTION
STOPPED THIS DATE

FIX REV LEVELS OF BOARDS INSIDE
POWER SUPPLIES ACCORDING TO REV
LEVEL OF POWER SUPPLY ASSEMBLY.
ADD REV LETTERS TO POWER SUPPLY
P.L.

DATE CHANGE REQUIRED BY
IMMEDIATELY
DOCUMENTS AFFECTED

OIP1500-000 F
REVISION AND
HIGHER

44 PO 518-000 D
44 PO 528-000 R
44 PO 672-000 D1

RESULTING ENS

ANY CHANGE TO ANY SUBASSEMBLY
REQUIRING A CHANGE IN THE
REVISION LEVEL OF THAT ASSEMBLY
MUST ADVANCE THE OIP1500-XXX
REVISION LEVEL

RECOMMENDED EFFECTIVITY

IMMEDIATE.

RECOMM'D PARTS DISPOSITION

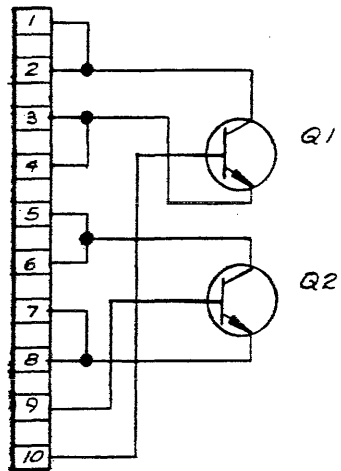
USE AS-IS REWORK
 NOT APPLICABLE SCRAP

INVESTIGATORS COMMENTS.

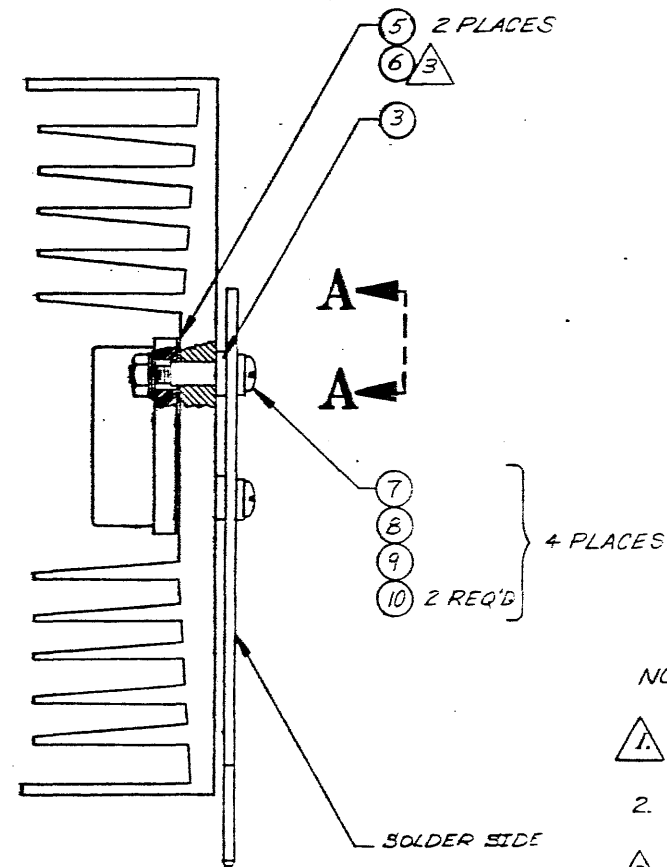
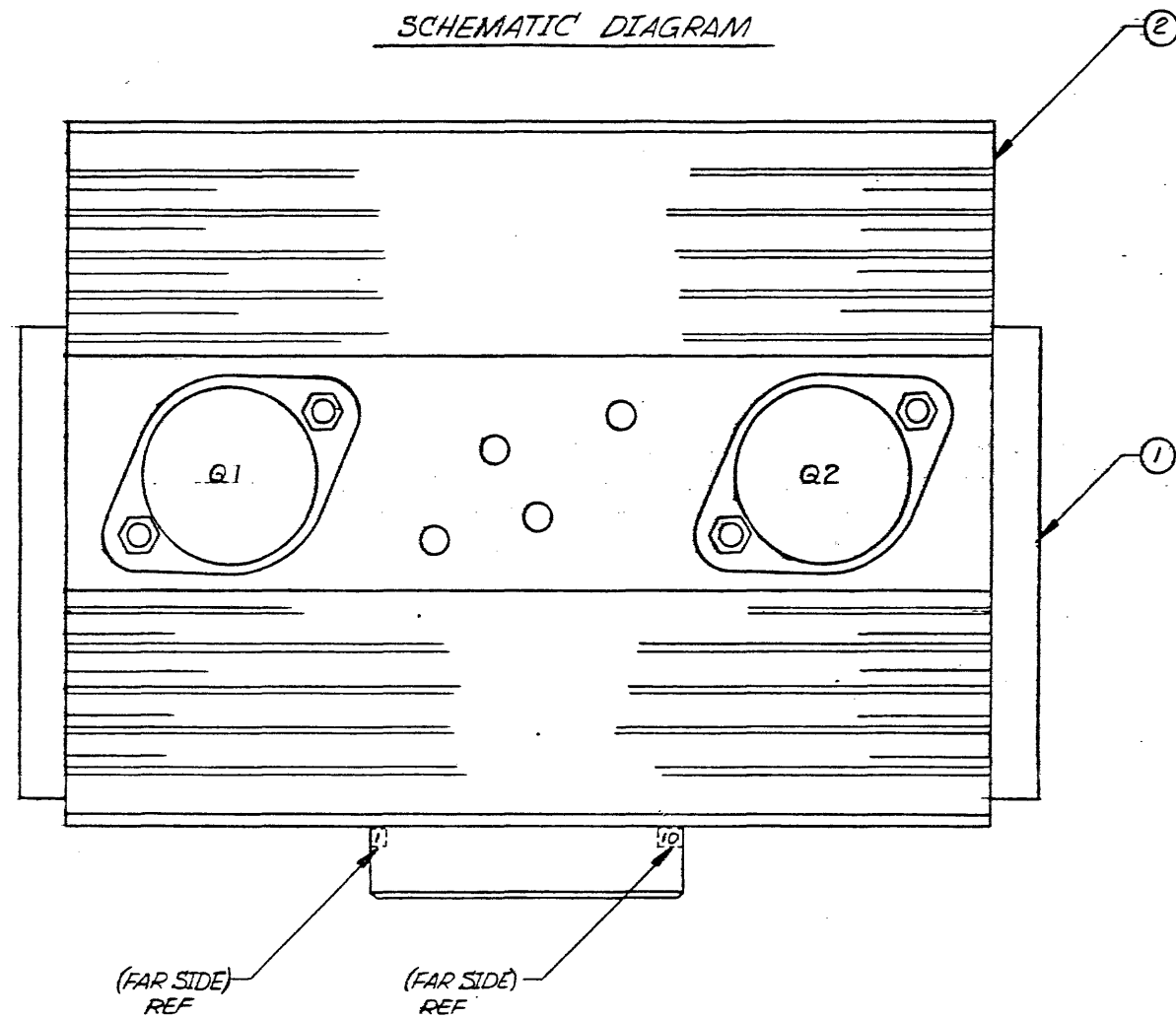
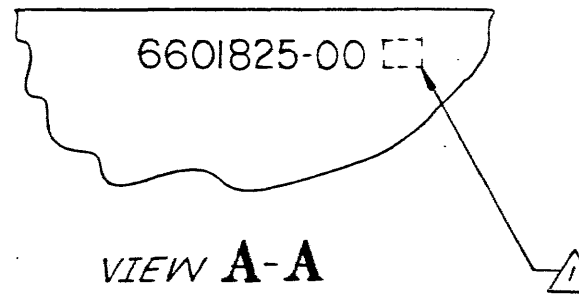
SIGNATURES		DATE
ORIGINATOR	<i>[Signature]</i>	3/6/79
DEPT. HEAD	<i>[Signature]</i>	3/6/79
DEPT.	89191	
DIRECTOR	<i>[Signature]</i>	3/6/79
ASSIGNED TO	J. Dutton	3/6/79
CRB approved	AP Seaman	3/6/79

Instructions for filling out the RECO are printed on the back of this form

REVISIONS (CONTROLLING PIC REV LEVEL APPEARS ON THE FIRST SHEET)						
ZONE	LTR	EIR	DESCRIPTION — FOR DETAILS SEE EIR	CHK	DATE	APPROVED
	-	W94243 -01	RELEASE PART-00		12 0108/1968	<i>[Signature]</i>
	A	W94255 -01	REVISED PER EIR		12 15/68	<i>[Signature]</i>



SCHEMATIC DIAGRAM



NOTES:

1. IDENTIFY PER (5001)
2. USE HARDWARE IN ACCORDANCE WITH (5002)
3. THERMAL JOINT COMPOUND MUST BE USED BETWEEN MATING SURFACES OF POWER SEMI-CONDUCTORS, INSULATING WASHERS, AND HEAT SINK.

PART NO. 6601825-00 FOR MATL REQUIREMENTS SEE PL IDENT-NO. PL REV LETTER CONTROLS DOCUMENT.

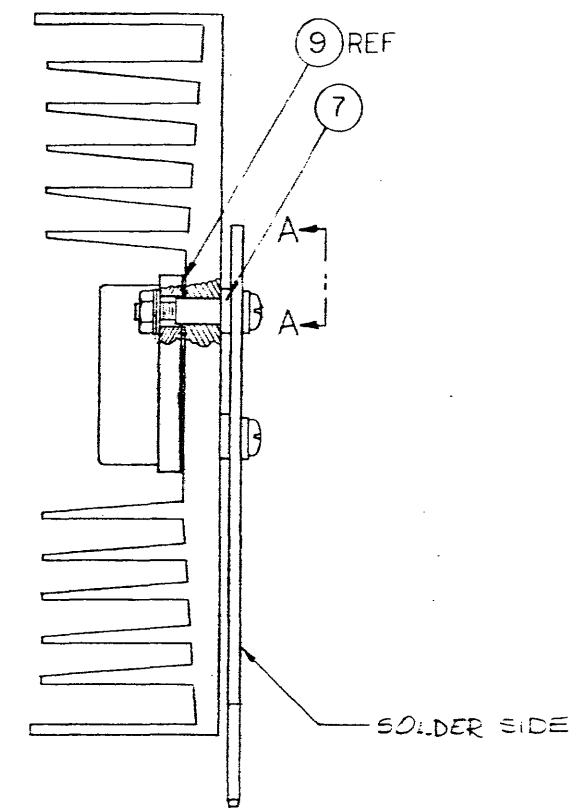
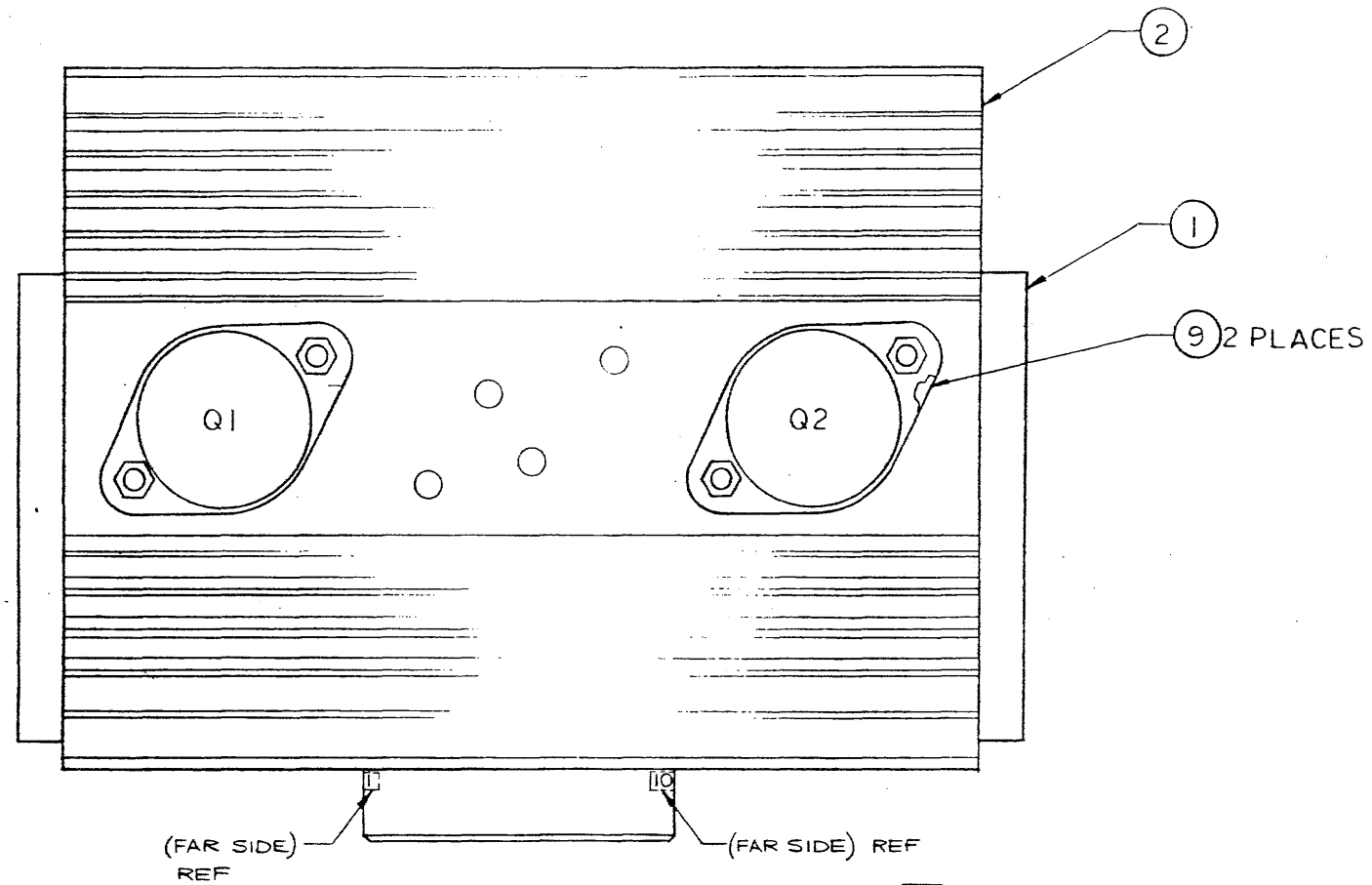
COMPANY CONFIDENTIAL INFORMATION
THIS DOCUMENT CONTAINS CONFIDENTIAL INFORMATION OF THE SPERRY RAND CORPORATION. IN CONSIDERATION OF THE RECEIPT OF THIS DOCUMENT, THE RECIPIENT AGREES NOT TO REPRODUCE, COPY, USE OR TRANSMIT THIS DOCUMENT AND/OR THE INFORMATION THEREIN CONTAINED IN WHOLE OR IN PART, OR TO SUFFER SUCH ACTION BY OTHERS, FOR ANY PURPOSE, EXCEPT WITH THE WRITTEN PERMISSION, FIRST OBTAINED OF SPERRY RAND CORPORATION, AND FURTHER AGREES TO SURRENDER SAME TO SPERRY RAND CORPORATION WHEN THE REASON FOR ITS RECEIPT HAS TERMINATED.

UNLESS OTHERWISE SPECIFIED		
DIMENSIONS IN INCHES TOL ON		
2 PLACE DECIMALS	3 PLACE DECIMALS	ANGLES
+ .03	+ .010	+ 0.5°
HOLE DIA TOL		
0 THRU .250	.251 THRU .500	.501 AND LARGER
+ .003	- .005	- .010
- .002	- .003	- .005
THREADS: EXT CL 2A, INT CL 2B		
COMMODITY CODE		

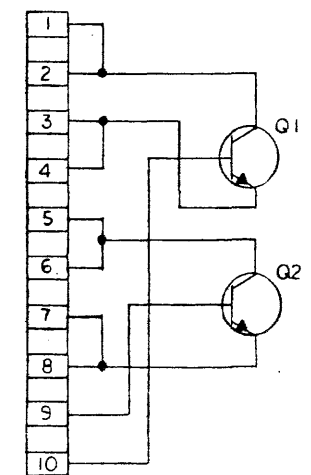
LAYOUT <i>Canny Vasquez</i>	DATE 2-20-67	CLASS L
DRAFTSMAN <i>Canny Vasquez</i>	2-20-67	TITLE P.C. ASSEMBLY - HEAT SINK BOARD
CHECKER <i>[Signature]</i>	3/6/67	APPROVAL <i>[Signature]</i>
ENGINEER		SIZE D
		CODE IDENT NO. 21101
		DWG NO. 6601825
		SCALE .2/1
		WEIGHT
		SHEET 1 OF 1

W4400518 E

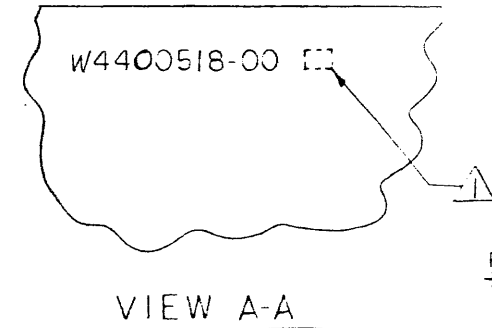
REVISIONS					
CODE	SYM	ZONE	DESCRIPTION	APPROVED	DATE
	X		PROTOTYPE RELEASE		
	A		PRODUCTION RELEASE PER EN 5427	<i>[Signature]</i>	1/16/75
	B	5th	DELETED CALL OUTS 3,4,5,6,7 & ADDED NOTE 2 PER EN 0104C	<i>[Signature]</i>	5/29/70
3	C		REVISED NOTE 2 BY DELETING SERIAL NO. & ADDED PART NO. 44A0518-000 ABOVE TITLE BLOCK, PER E.N. #84115.	<i>[Signature]</i>	10/1/75
Z	DEV	MT	DEVIATION EN 84245	<i>[Signature]</i>	11/24/76
	D	CN	EIR RELEASE PER EIR W87474-II	<i>[Signature]</i>	4-7-79
	F		INACTIVED - 00, SUPERSEDED BY 66C1825-00 PER W94643-01	<i>[Signature]</i>	



(FAR SIDE) REF (FAR SIDE) REF



SCHEMATIC DIAGRAM



VIEW A-A

PART NO. W4400518-00

INACTIVE FOR NEW DESIGN AFTER 8-20-81

FOR MATL REQUIREMENTS SEE PL PL REV LETTER CONTROLS DOCUMENT.

2. USE HARDWARE IN ACCORDANCE WITH (S002)

IDENTIFY PER SPECIFICATION (S001) EXCEPT DO NOT MARK SERIAL NUMBER, APPROX. WHERE SHOWN.

NOTE: UNLESS OTHERWISE SPECIFIED

REFERENCE DRAWINGS

W4000467 — PC BOARD

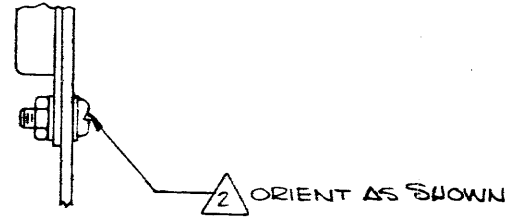
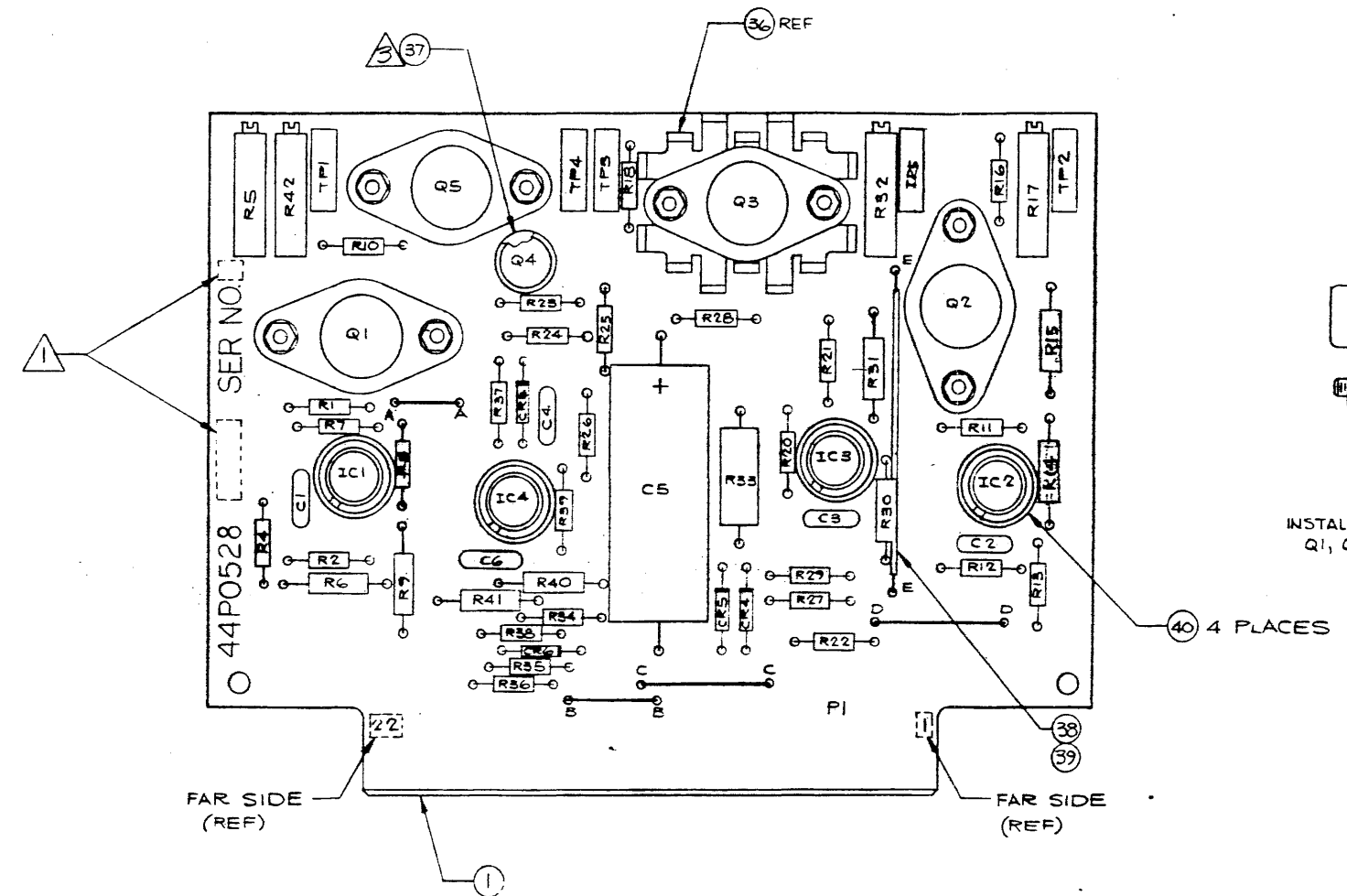
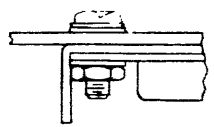
W9700561 — ARTWORK

W9700562 — SOLDER MASK

MODEL NO.	DIMENSIONS ARE IN INCHES AND AFTER FINISHING TOLERANCES (UNLESS OTHERWISE SPECIFIED)	DR <i>[Signature]</i> 2/10/71	SPERRY LINIVAC	
NEXT ASSY	X ± .1 XX ± .03 XXX ± .010 ANGLES = 0.5°	CHK <i>[Signature]</i> 4/5/71	TITLE	
MATERIAL	BREAK ALL SHARP EDGES .10 R APPROX	DSGN <i>[Signature]</i> 2/10/71	PC ASSEMBLY - HEAT SINK BOARD	
FINISH	DO NOT SCALE DRAWING	ENGR <i>[Signature]</i> 4/7/71	CODE IDENT NO. SIZE DWG NO. REV	
		APPD <i>[Signature]</i> 2/22/71	21101 D W4400518 F	
		THIS DOCUMENT MAY CONTAIN PROPRIETARY INFORMATION AND SUCH INFORMATION MAY NOT BE DISCLOSED TO OTHERS FOR ANY PURPOSE OR USED TO PRODUCE THE ARTICLE OR SUBJECT WITHOUT WRITING PERMISSION.		

8 7 6 5 4 3 2 1

REVISIONS				
SYM	ZONE	DESCRIPTION	APPROVED	DATE
X		PROTOTYPE RELEASE		
A		PRODUCTION RELEASE PER EN 5479		
B	KA	DELETED CR1 & 2 PER EN 5580	B.B.	7-13-71
C	KA	REMOVED FN 38 & 39 PER EN 8025	B.B.	7-13-71
D	SM	REVISED CALL OUTS AND PICTORIAL VIEW OF HARDWARE. ADDED BUS WIRE SLEEVING & CALL OUTS PER EN 80497	R.G.	7-20-71
E	SM	REVISED PICTORIAL VIEW OF HARDWARE & ADDED CALL OUTS PER EN 80587	R.G.	7-20-71
F	PSH	REVISED PER EN 81792	R.G.	8-4-71
G	SM	ADDED TAB BLOCK & REVISED GENERAL NOTE 1 PER EN 83052	R.G.	5-11-71
I		DELETED CALL OUTS FOR F/N 41 THRU 48 PER EN 84153	R.G.	7-16-71
-	SM	DEV. IN 84216		11-4-71
C	HN	ADDED NOTES 3 & 5 PER FN 87071		10-6-71
J	CM	EIR RELEASE PER EIR W67474-11		8-4-71
T	CB B7	REVISED PER EIR W94141-01 UPDATED FORMAT DOC NO. WAS 440052B	F.H.K.	5-29-80



TABULATION BLOCK	
PART NUMBER	DESCRIPTION
W440052B-00	FOR 620/L APPLICATION
W440052B-01	FOR V72 APPLICATION

W530052B
T

- 5. FOR GCI CONFIGURATION, USE BUSS WIRE F/N 36 IN LIEU OF COMPONENTS R3 & R15.
- 4. FOR OLC CONFIGURATION USE BUSS WIRE F/N 36 IN LIEU OF COMPONENT F20.
- 3 USE OF TRANSISTOR MOUNTING PAD OPTIONAL.
- 2 USE HARDWARE IN ACCORDANCE WITH (S02)
- 1 IDENTIFY PER SPECIFICATION (S01)

REFERENCE DRAWINGS
 W4000475 - PC BOARD
 W9700580 - ARTWORK
 W9700608 - SOLDER MASK
 W9700609 - SILKSCREEN
 W9100518 - LOGIC

PART NO. SEE TABULATION
 FOR PARTS LIST SEE 44P052B
 FOR MATL REQUIREMENTS SEE PL
 PL REV LETTER CONTROLS DOCUMENT.

MODEL NO.	DIMENSIONS ARE IN INCHES AND AFTER FINISHING	DRW 5-3071	SPERRY UNIVAC
NEXT ASSY W530052B	TOLERANCES UNLESS OTHERWISE SPECIFIED	CHK 4/15/71	
MATERIAL	X ± .1 Y ± .05 Z ± .010 ANGLES ± 0.1°	ENGR 4/15/71	TITLE
FINISH	BREAK ALL SHARP EDGES TO R .010	APPR 4/15/71	PC ASSEMBLY - REGULATOR BOARD
	DO NOT SCALE DRAWING		CODE IDENT NO. 21101 D
			SIZE W440052B
			SCALE 2/1
			SHEET 1 OF 1

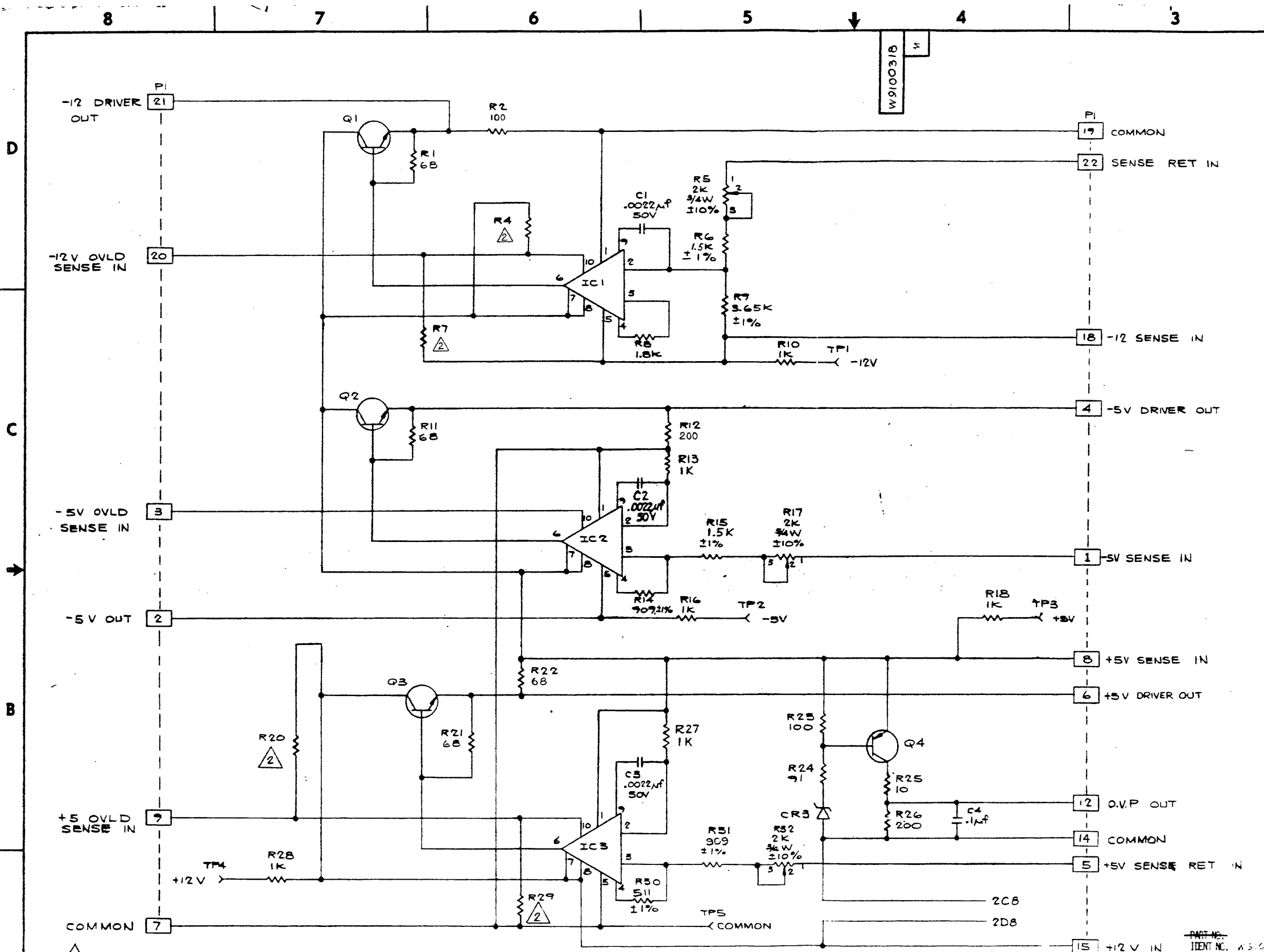
NOTE: UNLESS OTHERWISE SPECIFIED

8 7 6 5 4 3 2 1

		REVISIONS		APPROVED	DATE
SYM	ZONE	DESCRIPTION			
X		PROTOTYPE RELEASE			
A		PRODUCTION RELEASE PER EN 5479			1/14/71
B	KA	DELETED CR1 & 2, R3 WAS 200Ω, R1 WAS 1.5K, R19 WAS 390Ω, R20 WAS 800Ω, R29 WAS 1.6K, R35 WAS 820Ω, R36 WAS 200Ω, R38 WAS 4.3K PER EN 5580			2-14-71
C	KA	DELETED CR1 & 2 FROM P10 AND ADDED CR1 & 2 TO 'NOT USED IN REF DES EN 70425			2-14-71
D	WSO	R6 AND R1 WAS 2K EN 80072			3-14-71
E	PSA	SHT 1 ZONE AS R21 WAS 1.5K ± 10%, R20 WAS 909Ω PER EN 62728			3-15-71
F	W	ADDED 6/N 2 PER EN 93052			5-14-71
G	GRL	NOTE 2 COMPONENT VALUE -001 R41 WAS 4.22K, ± 1% PER EN 83630			5-14-75
H	GRL	NOTE 2 LINED OUT R7, R38 -001 WAS 4.8K, ADDED VALUE 3.6K TO R7 PER EN 83678			5-14-75
J	WT	SHT 1 ZONE C5 R12 WAS 15, ZONE D6 R2 WAS 15, ZONE E6 R22 WAS 15 - SHT 2 ZONE D6 R34 WAS 15 PER EN 84396			11/1/76
K	TN	REVISED AND ADDED TO NOTE 2, ADDED NOTE 3 REVISED FID'S R3, R4, R19, R35, R36, R7, R33 AND NUMBER IN BLOCK NEXT ASSY PER EN 87071			10/15/8
L	CN	EIR RELEASE PER EIR W87474-11			8-2-71
M	W	REVISED PER EIR W94141-01 UPDATED FORMAT DOC NO WAS 9100318			2-29-8

REFERENCE DESIGNATIONS	
LAST USED	NOT USED
C6	
CR6	CR1, CR2
IC4	
R42	R3, R19
TP5	
Q5	

W9100318
EM



3 DENOTES BUSS WIRE
2 COMPONENT VALUES

DASH NO	R20	R29	R38	R40	R41	R3	R4	R35	R36	R7
-00	154K ± 1%	1.18K ± 1%	2.7K	3.65K ± 1%	1.5K ± 1%	300Ω	510K ± 1%	560Ω	82Ω	3.6K ± 1%
-01	3.74K ± 1%	1.3K ± 1%	2.25K ± 1%	1.68K ± 1%	2.87K ± 1%	3.3K ± 1%	536Ω ± 1%	562Ω ± 1%	825Ω ± 1%	1.78K ± 1%

1. ALL RESISTORS ARE IN OHMS, 1/4W, ± 5%
NOTE: UNLESS OTHERWISE SPECIFIED

REFERENCE DRAWINGS
W4400528 --- ASSEMBLY
W4400528 --- PARTS LIST
W9700580 --- ARTWORK
W9700608 --- SOLDER MASK
W9700609 --- SILKSCREEN
W4000475 --- BOARD DETAIL

MODEL NO.	W4400528
NEXT ASSY	W4400528
MATERIAL	
FINISH	

DIMENSIONS ARE IN INCHES AND AFTER FINISHING
TOLERANCES UNLESS OTHERWISE SPECIFIED:
X ± .1
XX ± .05
XXX ± .010
ANGLES ± .03°
BREAK ALL SHARP EDGES .010 R APPROX
DO NOT SCALE DRAWING

DR: R. [Signature] 3-30-71
CHK: W. [Signature] 4/6/71
DSGN: R. [Signature] 3-30-71
ENGR: R. [Signature] 4/11/71
APPD: [Signature] 4-11-71

SPERRY UNIVAC

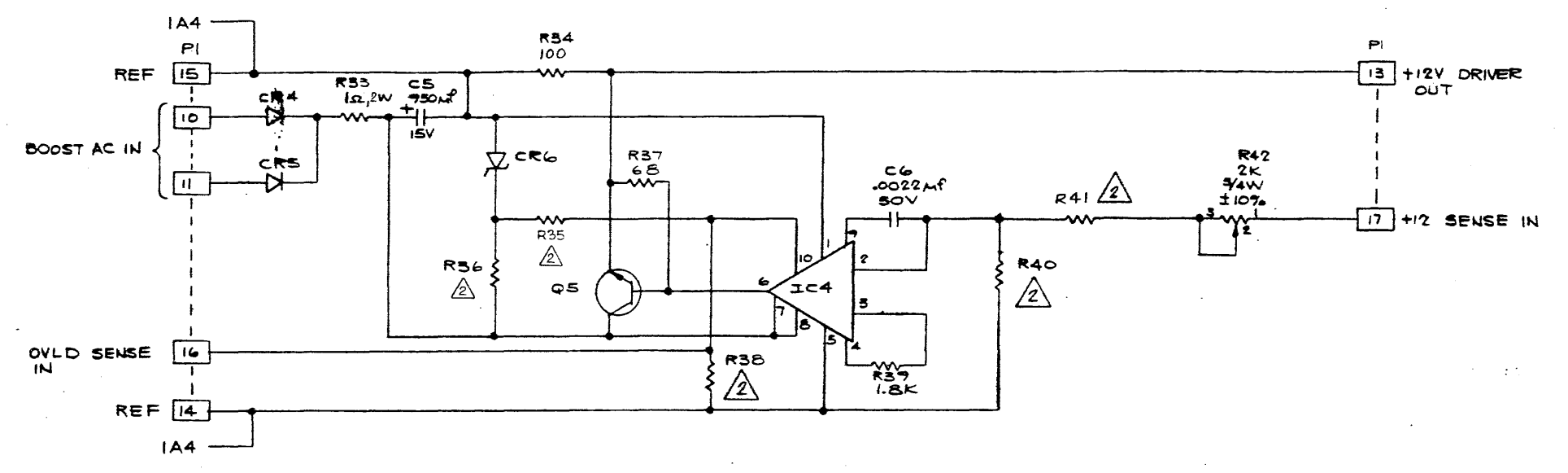
TITLE: LOGIC-REGULATOR BOARD

CODE IDENT NO. 21101 D
SIZE: W 9100318
SCALE: ---
SHEET 1 OF 2

8 7 6 5 4 3 2 1

REVISIONS			
SYM	ZONE	DESCRIPTION	APPROVED
		SEE SHEET 1	

W9100318
M

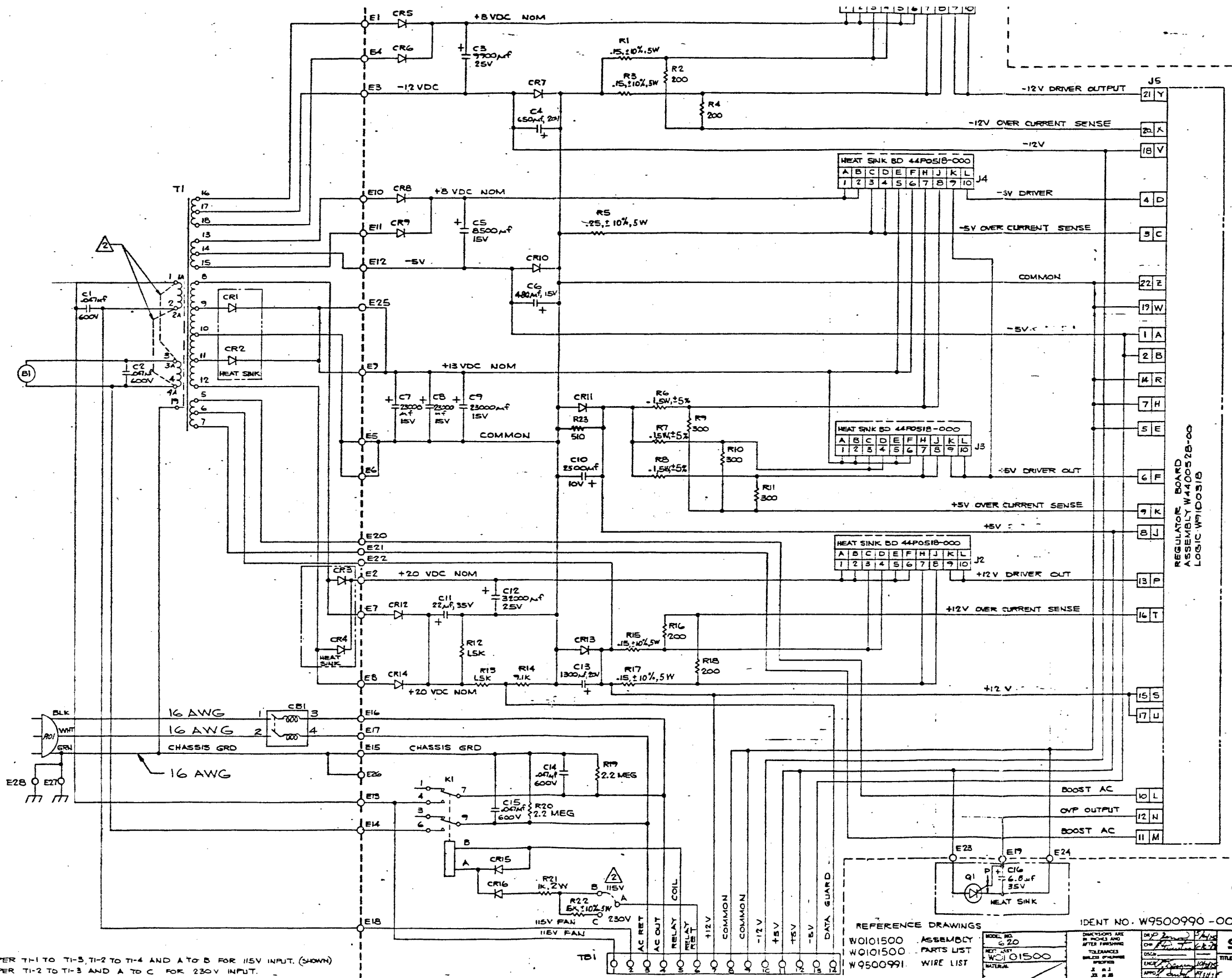


W9100318
M

NOTE: UNLESS OTHERWISE SPECIFIED

CODE IDENT NO.	REV	DRW NO	
21101	D	W9100318	
SCALE			SHEET 2 OF 2

8 7 6 5 4 3 2 1



REF DESIGNATIONS	LAST USED	NOT USED
B1		
C16		
CR1		
CR16		
JS		
R22		
T1		
TB1		
Q1		
E28		

△ JUMPER T1-1 TO T1-3, T1-2 TO T1-4 AND A TO B FOR 115V INPUT. (SHOWN)
 JUMPER T1-2 TO T1-3 AND A TO C FOR 230V INPUT.

ALL RESISTORS ARE IN OHMS, $\frac{1}{4}W$, $\pm 5\%$

NOTE: UNLESS OTHERWISE SPECIFIED

REFERENCE DRAWINGS
 W0101500 ASSEMBLY
 W0101500 PARTS LIST
 W9500991 WIRE LIST

IDENT NO. W9500990-00

MODEL NO. W9500990-00 REF. LIST W0101500 MATERIAL	DIMENSIONS ARE IN INCHES AND AFTER FINISHING UNLESS OTHERWISE SPECIFIED FINISH: MIL-C-13100 TYPE II DIMENSIONS ARE IN INCHES AND AFTER FINISHING UNLESS OTHERWISE SPECIFIED FINISH: MIL-C-13100 TYPE II	DATE: 11/11/50 DRAWN BY: [Signature] CHECKED BY: [Signature] APPROVED BY: [Signature]	SPERRY UNIVAC TITLE: SCHEMATIC, POWER SUPPLY CODE IDENT NO. 21101 C SIZE: W9500990 SHEET: 1 OF 1
---	--	--	---

W9500990