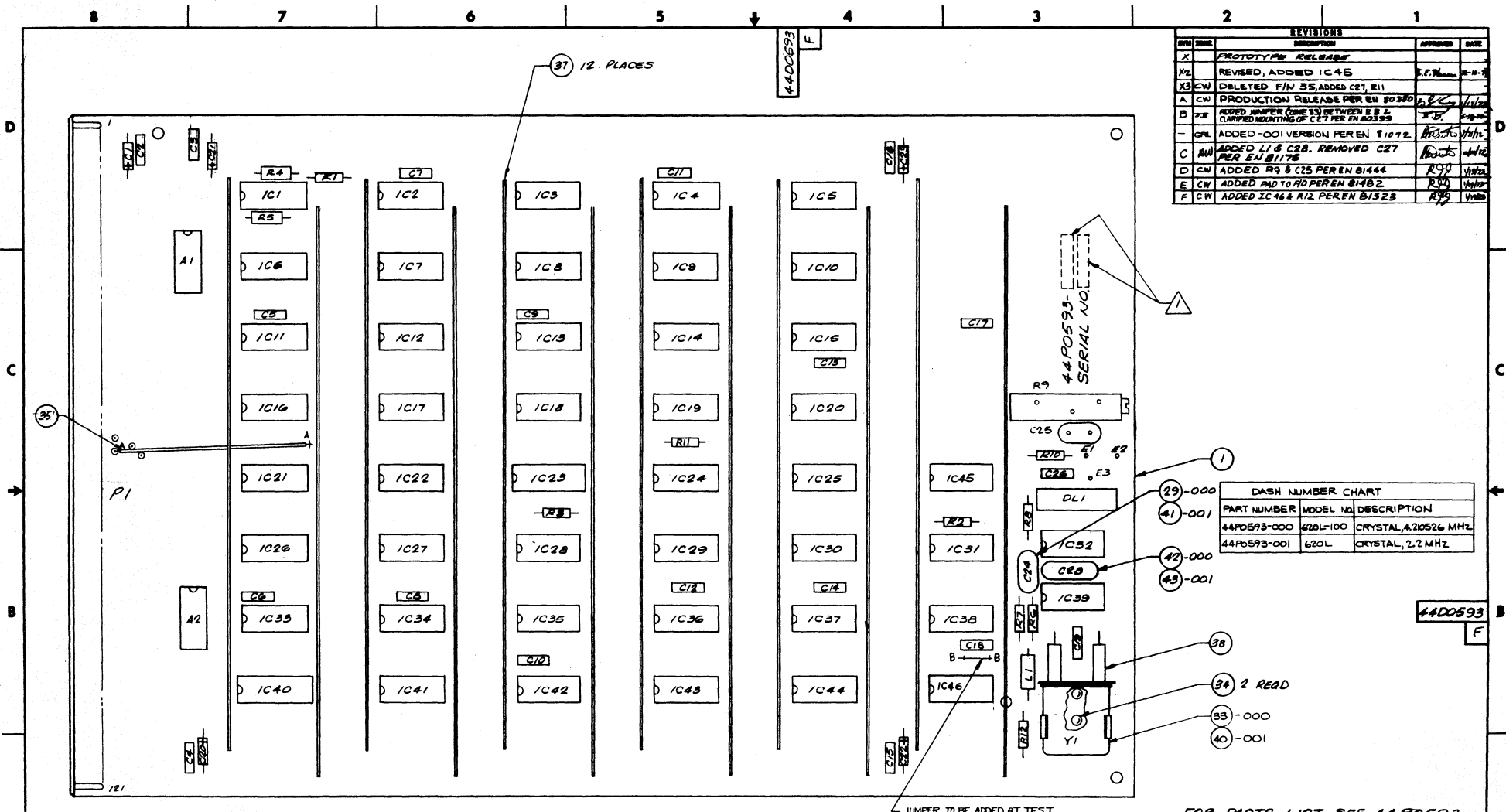


CAUTION EN 82268
APPROX THIS DNG.



REVISIONS			
REV	DATE	DESCRIPTION	APPROVED
X1		PROTOTYPE RELEASE	
X2		REVISED, ADDED IC46	
X3		DELETED F/N 35, ADDED C27, R11	
A		PRODUCTION RELEASE PER EN 80380	
B		ADDED NUMBER (ONE IS) BETWEEN R8 & L2 CLARIFIED MOUNTING OF C27 PER EN 80399	
-		QPL ADDED -001 VERSION PER EN 91072	
C		ADDED L1 & C28. REMOVED C27 PER EN 81178	
D		ADDED R9 & C25 PER EN 81444	
E		ADDED PAD TO R9 PER EN 81482	
F		ADDED IC46 & R12 PER EN 81523	

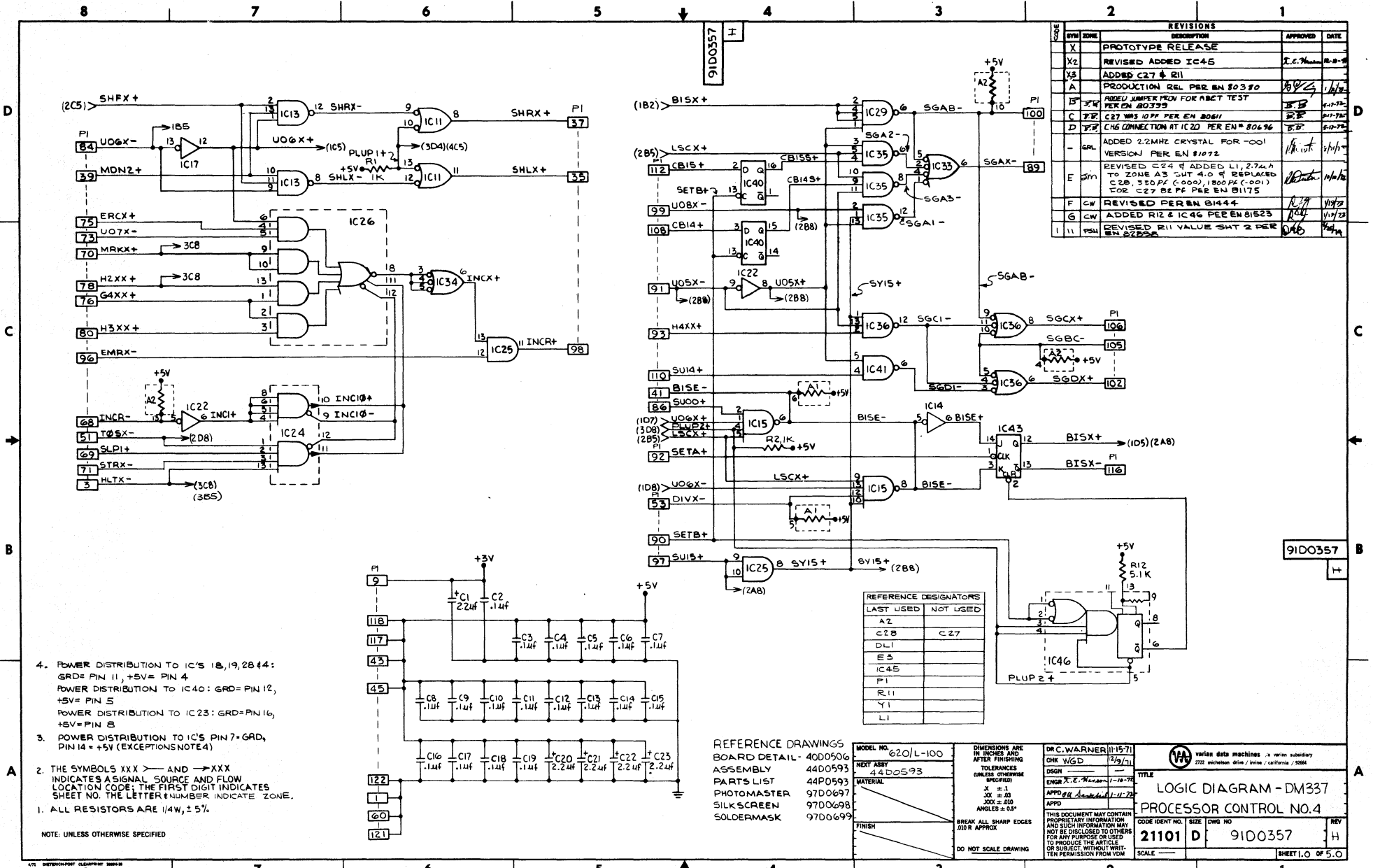
DASH NUMBER CHART		
PART NUMBER	MODEL NO	DESCRIPTION
44P0593-000	620L-100	CRYSTAL, 4.20526 MHZ
44P0593-001	620L	CRYSTAL, 2.2 MHZ

- ①
- ②9-000
- ④1-001
- ④2-000
- ④3-001
- ③8
- ③8 2 READ
- ③3-000
- ④0-001

2. NOTATION N/U DENOTES COMPONENT NOT USED.
 MARK APPROPRIATE DASH NUMBER AND THE REVISION LETTER OF THE PARTS LIST TO WHICH THE PART WAS MANUFACTURED AND SERIAL NO. APPROXIMATELY WHERE SHOWN. IDENTIFICATION TO BE .12 HIGH CHARACTERS, PERMANENT AND LEGIBLE.
 NOTE: UNLESS OTHERWISE SPECIFIED

REFERENCE DRAWINGS
 44006066 — PWB BOARD
 9100357 — LOGIC DIAGRAM
 9700697 — ARTWORK
 9700698 — SILKSCREEN
 9700699 — SOLDER MASK

MODEL NO. 620L-100	DATE 11/81	DESIGNED BY J.M.M.	DATE 11/81
REVISED BY DIA/277	DATE 11/81	DESIGNED BY J.M.M.	DATE 11/81
TOLERANCES UNLESS OTHERWISE SPECIFIED X = .1 X = .05 X = .02 X = .01	DATE 11/81	DESIGNED BY J.M.M.	DATE 11/81
FINISH: DO NOT SCALE DRAWING	DATE 11/81	DESIGNED BY J.M.M.	DATE 11/81
THIS DOCUMENT MAY CONTAIN PROPRIETARY INFORMATION AND SUCH INFORMATION MAY BE DISCLOSED TO OTHERS FOR ANY PURPOSE OR USED TO INFRINGE THE RIGHTS OF SUBJECT WITHOUT WRITTEN PERMISSION FROM VDM		TITLE PROCESSOR CONTROL NO.4 ASSY DM357	
CAGE CODE NO. 21101		DATE D	REV. NO. 440593
SCALE 2/1		SHEET 1 OF 1	



REVISED		REVISIONS		APPROVED		DATE	
SYM	ZONE	DESCRIPTION	APPROVED	DATE			
X		PROTOTYPE RELEASE					
X2		REVISED TYPE ADDED IC45	J.C. Warner	10-8-71			
Y3		ADDED C27 & R11					
A		PRODUCTION REL PER EN 80380	J.C. Warner	1/6/72			
B		ADDED JUMPER FOR FACT TEST	J.C. Warner	1/17/72			
C		C27 WAS 10PF PER EN 80611	J.C. Warner	2/17/72			
D		CHG CONNECTION AT IC20 PER EN 80696	J.C. Warner	2/17/72			
-	GAL	ADDED 2.2Mhz CRYSTAL FOR -001 VERSION PER EN 81072	J.C. Warner	2/17/72			
E		REVISED C24 & ADDED L1, 2.7uH TO ZONE A3 SHT 4.0 & REPLACED C28, 350PF (C200), 1800PF (C001) TO 200 C27 82PF PER EN 81175	J.C. Warner	1/6/72			
F		REVISED PER EN 81444	J.C. Warner	1/17/72			
G		ADDED R12 & IC46 PER EN 81523	J.C. Warner	1/17/72			
H		REVISED R11 VALUE SHT 2 PER EN 81523	J.C. Warner	1/17/72			

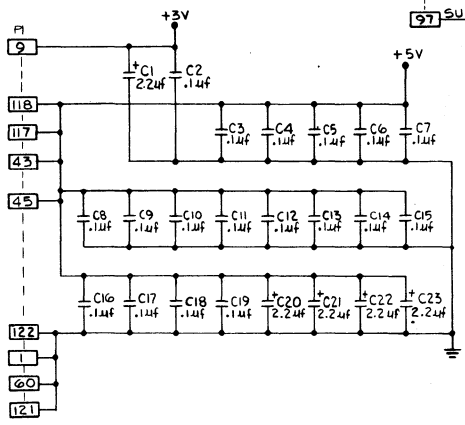
REFERENCE DESIGNATORS	
LAST USED	NOT USED
A2	C27
C28	
DL1	
E3	
IC45	
P1	
R11	
Y1	
L1	

REFERENCE DRAWINGS
 BOARD DETAIL- 40D0506
 ASSEMBLY 44D0593
 PARTS LIST 44P0593
 PHOTOMASTER 97D0697
 SILKSCREEN 97D0698
 SOLDERMASK 97D0699

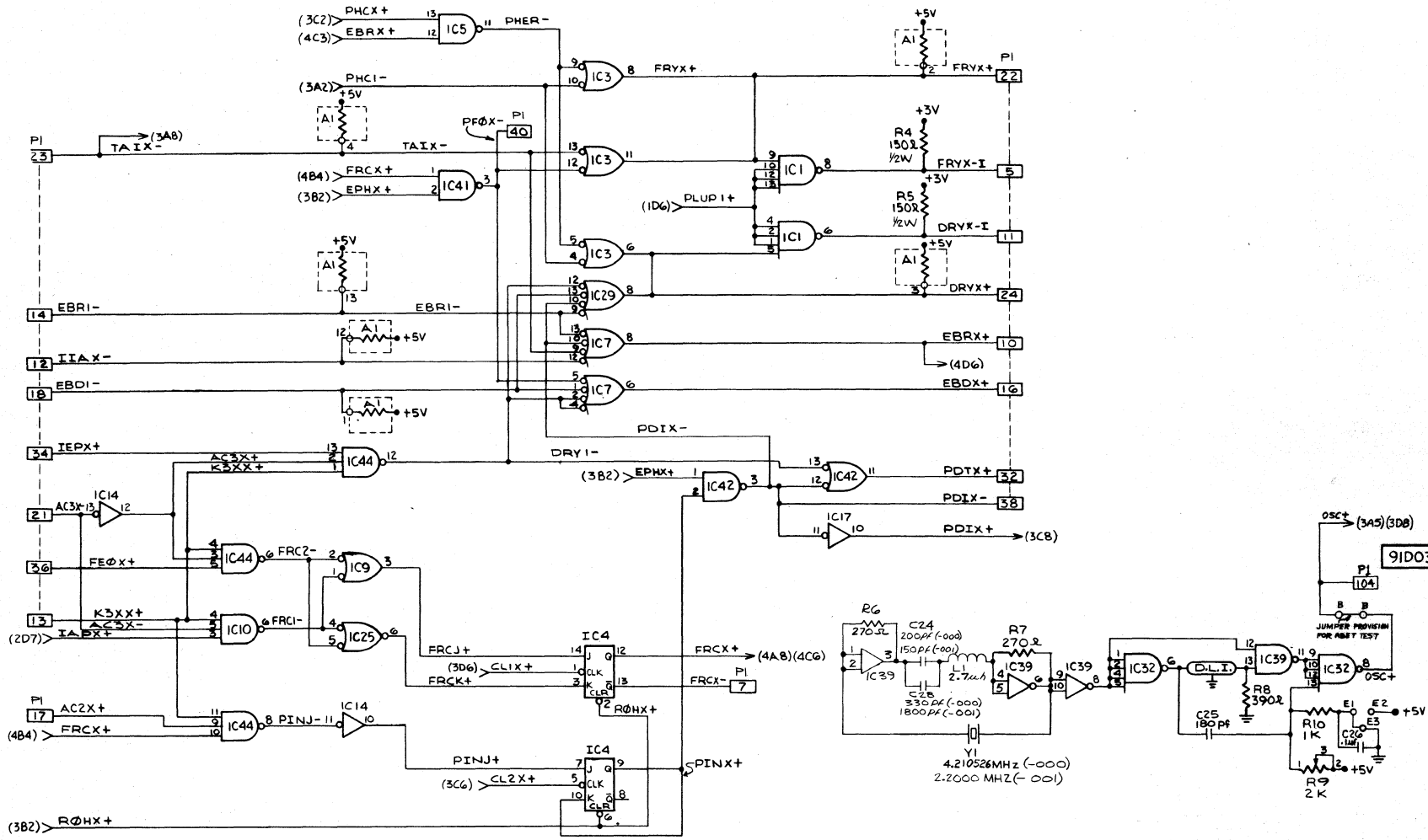
MODEL NO. 620/L-100
 NEXT ASSY 44D0593
 MATERIAL
 FINISH
 DIMENSIONS ARE IN INCHES AND AFTER FINISHING
 TOLERANCES UNLESS OTHERWISE SPECIFIED
 X ± .1
 Y ± .05
 ZOX ± .010
 ANGLES = 05°
 BREAK ALL SHARP EDGES 0.01R APPROX
 DO NOT SCALE DRAWING

DR C. WARNER 11-15-71
 CHK WGD 2/9/72
 DESIGN
 ENGR J.E. Warner 1-16-72
 APPD J.C. Warner 1-17-72
 APPD
 THIS DOCUMENT MAY CONTAIN PROPRIETARY INFORMATION AND SUCH INFORMATION MAY NOT BE DISCLOSED TO OTHERS FOR ANY PURPOSE OR USED TO REPRODUCE THE ARTICLE OR SUBJECT, WITHOUT WRITTEN PERMISSION FROM VDM
 TITLE LOGIC DIAGRAM - DM337
 PROCESSOR CONTROL NO. 4
 CODE IDENT NO. 21101
 SIZE D
 DWG NO. 91D0357
 REV H
 SCALE
 SHEET 1.0 OF 5.0

- POWER DISTRIBUTION TO IC'S 18,19,28 #4:
GRD= PIN 11, +5V= PIN 4
 - POWER DISTRIBUTION TO IC40: GRD= PIN 12, +5V= PIN 5
 - POWER DISTRIBUTION TO IC23: GRD= PIN 16, +5V= PIN 8
 - POWER DISTRIBUTION TO IC'S PIN 7+GAD, PIN 14 = +5V (EXCEPTIONS NOTE 4)
- THE SYMBOLS XXX AND →XXX INDICATES A SIGNAL SOURCE AND FLOW LOCATION CODE; THE FIRST DIGIT INDICATES SHEET NO. THE LETTER NUMBER INDICATE ZONE.
 - ALL RESISTORS ARE 1/4W, ±5%.
- NOTE: UNLESS OTHERWISE SPECIFIED



REVISIONS				
SYM	ZONE	DESCRIPTION	APPROVED	DATE
		SEE SHEET 1		



91D0357 I

NOTE: UNLESS OTHERWISE SPECIFIED

CODE IDENT NO.	REV	DWG NO	REV
21101	D	91D0357	H
SCALE		SHEET 4.0	

8

7

6

5

4

3

2

1

REVISIONS			
SYM	ZONE	DESCRIPTION	DATE
		SEE SHEET 1	

91D0357
I

D

D

C

C

B

B

A

A

- 1 GRD → 1A6
- 2 ICLX- → 3B5
- 3 HLTX- → 1B8
- 3B6 WRTX+ → 4
- 4C3 FRYX-I → 5
- 6 FCØX+ → 3C8
- 4B4 FACX- → 7
- 8 ØCYX+ → 3C8
- 9 +5V → 1B6
- 4C3 EBRX+ → 10
- 4C3 DRYX-I → 11
- 12 IIA X- → 4C8
- 13 K3XX+ → 4B8
- 14 EBR1- → 4C8
- 15 IAPX+ → 2D8
- 4C3 EBDX+ → 10
- 17 AC2X+ → 4A8
- 18 EBD1- → 4C8
- 19 RØHX+ → 3A5
- 3B2 PHCX- → 20
- 21 AC3X- → 4B8
- 4D3 FRYX+ → 22
- 23 TAIX- → 4D8
- 4C3 DRYX+ → 24
- 25 CLEI+ → 3B5
- 3B6 SETW+ → 26
- 2D5 SHCX+ → 27
- 28 STW1- → 3B8
- 3B6 SETL+ → 29
- 30 MSUX- → 3B8
- 3D6 MCLX+ → 31

- 4B3 PDTX+ → 32
- 33 HTCX- → 3B5
- 34 IEPX+ → 4B8
- 1D5 SHLX+ → 35
- 36 FEØX+ → 4B8
- 105 SHR X+ → 37
- 4B3 PDIX- → 38
- 39 MDN2+ → 1D8
- 4D5 PFOX- → 40
- 41 BI5E- → 1C5
- 42 TDIW- → 3B8
- 43 +5V → 1B6
- 44 CWIX- → 3D5
- 45 +5V → 1A6
- 3C3 SSL4+ → 46
- 47 UØØX+ → 2B5
- 3C3 SSL2+ → 48
- 2B5 LSCX- → 49
- 50 LI3X+ → 3C5
- 51 TØSX- → 1C8
- 52 LI4X+ → 3C5
- 53 DIVX- → 1B5
- 3C3 SSL1+ → 54
- 2C5 SHFX- → 55
- 3C3 SSL3+ → 56
- 2D2 SCIX+ → 57
- 58 IMCX- → 3C8
- 59 GRD → 1A6
- 60 GRD → 1A6
- 61
- 62

- 2C3 SC4X+ → 63
- 64
- 2C1 FCØX- → 65
- 3B2 EPHX- → 66
- 67 SCL1- → 2C5
- 68 INCR- → 1C8
- 69 SLPI+ → 1B8
- 70 MRKX+ → 1C8
- 71 STRX- → 1B8
- 3C6 CL2X+ → 72
- 73 UØ7X- → 1C8
- 3D3 CLW- → 74
- 75 ERX+ → 1D8
- 76 G4XX+ → 1C8
- 3C6 MC2X+ → 77
- 78 H2XX+ → 1C8
- 79 DSCX- → 2B8
- 80 H3XX+ → 1C8
- 81 PHC3- → 3C5
- 3D6 CLIX+ → 82
- 2B5 SGBX+ → 83
- 84 UØØX- → 1D8
- 85
- 86 SUØØ+ → 1C5
- 87 UØ4X+ → 2B5
- 88 UØ2X+ → 2B5
- 1D2 SGAX- → 89
- 90 SETB+ → 1B5
- 91 UØ5X- → 1C5
- 92 SETA+ → 1B5

- 93 H4XX+ → 1C5
- 94 UØ1X+ → 2B5
- 95
- 96 EMRX- → 1C8
- 97 SUI5+ → 1B5
- 1C5 INCR+ → 98
- 99 UØ8X- → 1D5
- 1D2 SGAB- → 100
- 101 SHC4- → 2C8
- 1C2 SØDX+ → 102
- 103
- 4B1 Ø5C+ → 104
- 1C2 SØBC- → 105
- 1C2 SØCX+ → 106
- 107 UØ3X+ → 2B5
- 108 CB14+ → 1D5
- 109 SCMX+ → 2B1
- 110 SUI4+ → 1C5
- 111 SHC3- → 2D8
- 112 CB15+ → 1D5
- 113 AC4X+ → 2D8
- 114 RSHX+ → 2C5
- 115 K2XX+ → 2D8
- 1B2 BISX- → 116
- 117 +5V → 1B6
- 118 +5V → 1B6
- 119
- 120
- 121 GRD → 1A6
- 122 GRD → 1A6

91D0357
H

NOTE: UNLESS OTHERWISE SPECIFIED

CONNECTOR PIN FUNCTIONS

CODE IDENT NO.	SIZE	DWG NO.	REV
21101	D	91D0357	H
SCALE	SHEET 5.0		

8

7

6

5

4

3

2

1