

**UNIVAC 1219 COMPUTER**

# UNIVAC 1219 COMPUTER

## GENERAL CHARACTERISTICS

The UNIVAC<sup>®</sup> 1219 Computer is a medium scale, general purpose computer. It is a faster version of the widely-used UNIVAC 1218 Computer and is functionally compatible with it. It is an advanced military computer designed to comply with the environmental specifications of MIL-E-16400.

The UNIVAC 1219 Computer is an 18-bit digital computer capable of transferring 500,000 words per second. It is equipped with a 2-microsecond MAIN Memory and features a 500-nanosecond CONTROL Memory. It can be supplied with 16 full-duplex I/O channels where each channel is associated with a complete set of program interrupts. It is equipped with an external synchronizer function in addition to an automatic addressable clock cell. The UNIVAC 1219 Computer has been designed to provide a complete, straightforward interface enabling easy adaptation to the requirements of a system rather than requiring modification of the system to accommodate the computer.

# TECHNICAL CHARACTERISTICS

## MEMORY

### Control Memory

Cycle Time:	500 nanoseconds
Capacity:	64 or 96 18-bit words
Type:	Word organized, magnetic core
Purpose:	Index registers, clock cells, I/O buffer control registers; operates in the "shadow" of the Main Memory at a 4:1 ratio.

### Main Memory

Cycle Time:	2 microseconds
Capacity:	4096, 8192, 16,384, or 32,768 18-bit words (standard options)
Type:	Coincident current, magnetic core
Purpose:	I/O interrupt registers, program and data storage.

### NDRO Memory

Cycle Time:	2 microseconds
Capacity:	32 18-bit words
Type:	Word organized, magnetic core, unalterable
Purpose:	Bootstrap (initial load) program storage. Programs available for paper tape and magnetic tape load.

## INPUT/OUTPUT

### Channels

Type:	Simplex, 18-bit parallel
Number:	32 maximum; 16 Input plus 16 Output
Transfer Rate:	<u>One channel</u> — 166,000 18-bit words/second (maximum) <u>Multi-channel</u> — 500,000 18-bit words/second (maximum)
Operation:	Each channel fully buffered and once activated operates without program attention, asynchronous, at the rate of the peripheral unit.

### Information Transfers

Input Channels:	Input data, interrupt data
Output Channels:	Output data, external command data
Processing Time Required:	2 microseconds/word transferred 0 microseconds during extended sequence instructions
Delay due to Program:	2 microseconds (maximum)

## Operating Modes (Standard)

- Normal Single Channel: 18-bit parallel transfers
- Normal Dual Channel: Consecutive (even/odd numbered) channels may be "paired" to form a single 36-bit parallel channel.
- Externally Specified Index (Dual Channel):  
18-bit parallel data transfers with storage address indirectly specified by external device; useful for multiplexing/decommutating data to/from computer.
- Externally Specified Address (Dual Channel):  
18-bit parallel data transfers with storage address directly specified by external device.
- Intercomputer Single Channel:  
Direct 18-bit parallel data transfers with other UNIVAC computers; no interface adapters required for intercomputer communication.
- Intercomputer Dual Channel:  
Direct 36-bit parallel data transfer with other UNIVAC Computers. No interface adapters required for intercomputer communication.

## Interrupts

- Input Channels: 16 external interrupts plus 16 internal interrupts (programmer option)
- Output Channels: 16 internal interrupts (programmer option)

## CONTROL

### Instructions

- Type: Single Address
- Address Modification via: 8 Control-Memory-contained index registers.
- Repertoire: 96 instructions

### Clock

- Type: Automatic, additive, under program control
- Location: Control Memory
- Duration: Established under program control
- Granularity: LSB represents 1/1024 second
- Interrupt: Interrupt occurs when program pre-set value is reached.

### Synchronizer

- Interrupt: Interrupt occurs whenever the non-I/O synchronizing control line is set to logical one by an external device.
- Purpose: To allow a variable-granularity clock function or to provide a high priority alarm recognition capability.

## ARITHMETIC

Organization:	18-bit parallel, one's complement, integer	
Execution Times:	Typical execution times, including instruction and data fetch plus indexing.	
	Add, Subtract (single length)	4 $\mu$ sec
	Multiply/Divide	16 $\mu$ sec
	Add, Subtract (double length)	6 $\mu$ sec
	Compare/Masked Compare and Branch	6 $\mu$ sec
	Register shifts: right, left, single, double 2 + .5n $\mu$ sec (n = shift count)	

## ENVIRONMENTAL REQUIREMENTS

General Requirements:	MIL-E-16400D (Navy)
Interference:	MIL-I-16910A
Enclosure:	MIL-STD-108D
Shock:	MIL-S-901
Vibration:	MIL-STD-167
Temperature:	0 degree to 50 degrees C
Humidity:	To 95 percent

## POWER REQUIREMENTS

115 volt  $\pm$  10 percent, 1-phase, 60 cps, 150 watts maximum

115 volt  $\pm$  10 percent, 3-phase, 400 cps, 1500 watts maximum

## SOFTWARE

Existing UNIVAC 1218 Subroutines

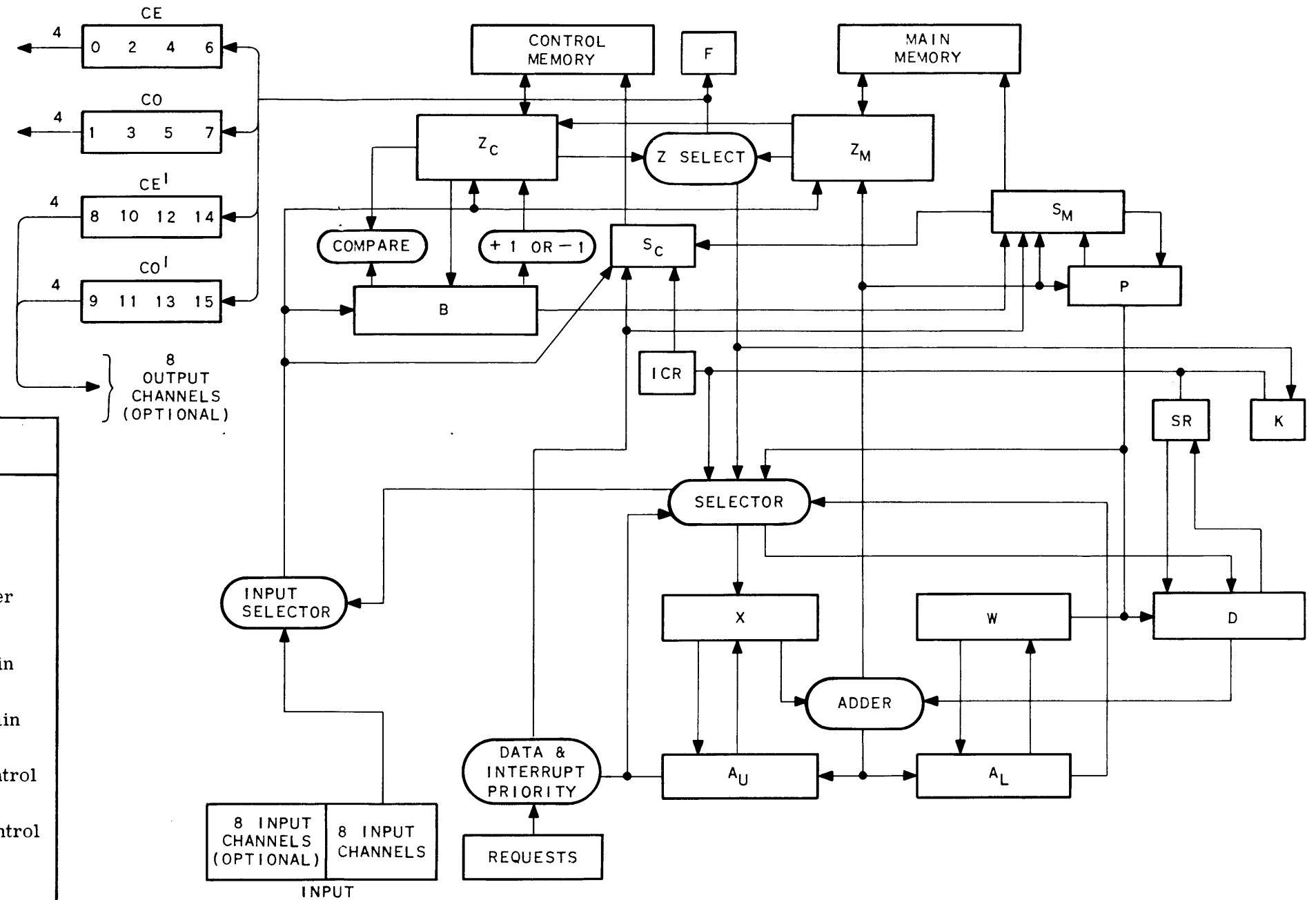
TRIM I

TRIM II

TRIM III

## REGISTERS

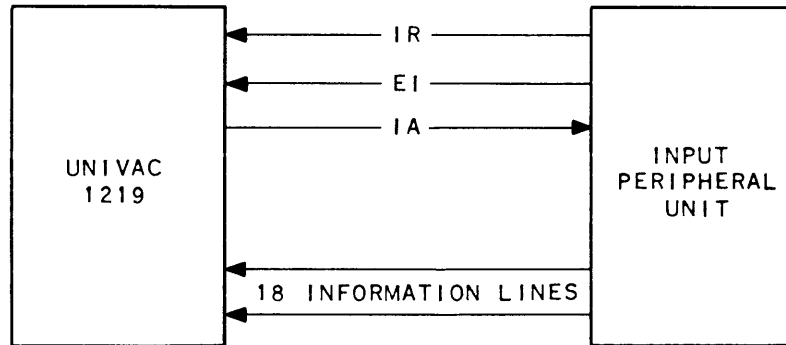
ID	SIZE (BITS)	FUNCTION
AL	18	Accumulator, Lower
AU	18	Accumulator, Upper
SR	4	Special Register
ICR	3	Index Control Register
P	15	Program Address
Sm	15	Storage Address, Main Memory
ZM	18	Storage Transfer, Main Memory
Sc	7	Storage Address, Control Memory
Zc	18	Storage Transfer, Control Memory
D	18	Data Transient
X	18	Exchange Transient
W	18	Auxiliary Arithmetic
CO	18	Output Buffer, Channels 0, 2, 4, 6
CE	18	Output Buffer, Channels 1, 3, 5, 7
CO'	18	Output Buffer, Channels 8, 10, 12, 14 (OPT)
CE'	18	Output Buffer, Channels 9, 11, 13, 15 (OPT)
B	18	Data Transient



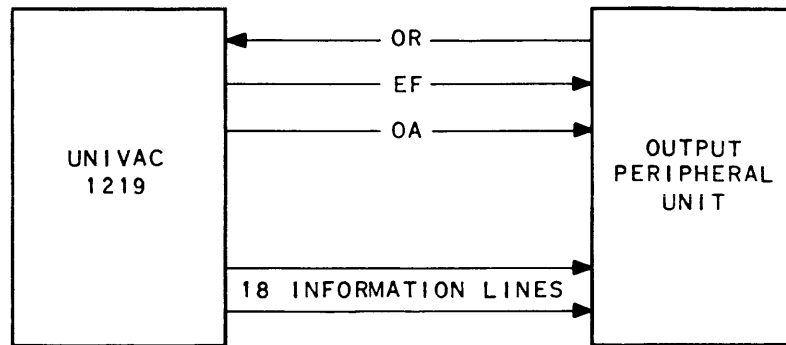
PRELIMINARY BLOCK DIAGRAM  
UNIVAC 1219 COMPUTER

# DESCRIPTION OF INPUT/OUTPUT CONTROL SIGNALS

	Signal Name	Origin	Meaning
Input Channel	Input Request (IR)	Peripheral Equipment	"I have a data word on the input lines ready for you to accept."
	Input Acknowledge (IA)	Computer	"I have sampled the word on the input lines."
	External Interrupt (EI)	Peripheral Equipment	"I have an Interrupt Code word on the input lines ready for you to accept."
Output Channel	Output Request (OR)	Peripheral Equipment	"I am in a condition to accept a word of data from you."
	Output Acknowledge (OA)	Computer	"I have put a data word for you on the output lines; sample them now."
	External Function (EF)	Computer	"I have put an External Function message for you on the output lines; sample them now."



ONE 1219 INPUT CHANNEL



ONE 1219 OUTPUT CHANNEL

## UNIVAC 1219 INPUT/OUTPUT

# ASSIGNED MEMORY ADDRESS

## CONTROL MEMORY (Standard)

00000	Fault Register
00001-00010	8 Index Registers
00011	Real-Time Clock Interrupt Register
00012-00013	UNASSIGNED
00014-00015	Real-Time Clock Cells
00016	Synchronizing Interrupt Register
00017	Scale Factor Shift Count
00020-00037	UNASSIGNED
00040-00057	Output Buffer Control Registers (Channels 0-7)
00060-00077	Input Buffer Control Registers (Channels 0-7)

Optional with UNIVAC 1219 Computers equipped with 16 I/O)

00240-00257	Output Buffer Control Registers (Channels 8-15)
00260-00277	Input Buffer Control Register (Channels 8-15)

## MAIN MEMORY

00100-00117	External Interrupt Registers (Channels 0-7)
00120-00137	UNASSIGNED
00140-00157	Output Monitor Registers (Channels 0-7)
00160-00177	Input Monitor Registers (Channels 0-7)
00300-00317	External Interrupt Registers (Channels 8-15)
00320-00337	UNASSIGNED
00340-00357	Output Monitor Registers (Channels 8-15)
00360-00377	Input Monitor Registers (Channels 8-15)
00400-177777	UNASSIGNED

## NDRO MEMORY

00200-00237	Bootstrap Program
-------------	-------------------



# UNIVAC 1219 COMPUTER

## REPERTOIRE OF INSTRUCTIONS

Code	Symbol	Description	Time $\mu$ s	Code	Symbol	Description	Time $\mu$ s
02	CMAL	Compare Y	4	63	JPALNZ	Jump AL Not Zero, Y	2
03	CMALB	Compare Y + B	4	64	JPAUP	Jump AU Positive, Y	2
04	SLSU	Selective Substitute	4	65	JPALP	Jump AL Positive, Y	2
05	SLSUB	Selective Substitute Y + B	4	66	JPAUNG	Jump AU Negative, Y	2
06	CMSK	Masked Compare Y	4	67	JPALNG	Jump AL Negative, Y	2
07	CMSKB	Masked Compare Y + B	4	70	ENTALK	Enter AL, Y	2
10	ENTAU	Enter AU, Y	4	71	ADDALK	Add U, 12 bits	2
11	ENTAU B	Enter AU, Y + B	4	72	STRICR	Store ICR, Y	4
12	ENTAL	Enter AL, Y	4	73	BJP	Decrement B, Jump, Y	2
13	ENTALB	Enter AL, Y + B	4	74	STRADR	Store Address, Y	4
14	ADDAL	Add Y, 18 bit	4	75	STRSR	Store SR, Deactivate SR, Y	4
15	ADDALB	Add Y + B, 18 bit	4	76	RJP	Return Jump, Y	4
16	SUBAL	Subtract Y, 18 bit	4	5011	IN	Initiate Input Buff, k	6
17	SUBALB	Subtract Y + B, 18 bit	4	5012	OUT	Initiate Output Buff, k	6
20	ADDA	Add Y, 36 bit	6	5014	ERTCLK	Enable Real-Time Clock	2
21	ADDAB	Add Y + B, 36 bit	6	5015	INSTP	Terminate Input, k	2
22	SUBA	Subtract Y, 36 bit	6	5016	OUTSTP	Terminate Output, k	2
23	SUBAB	Subtract Y + B, 36 bit	6	5020	SRSM	Set Resume ff (Intercomp)	2
24	MULAL	Multiply Y	16	5021	SKPIIN	Skip Input Inact, k	2
25	MULALB	Multiply Y + B	16	5022	SKPOIN	Skip Output Inac, k	2
26	DIVA	Divide, Y	16	5024	WRFI	Wait for Interrupt	2
27	DIVAB	Divide, Y + B	16	5026	OUTOV	Force Output One Word, k	2
30	IRJP	Indirect RJP, Y	6	5027	EXFOV	Force Ext Function One Word, k	2
31	IRJPB	Indirect RJP, Y + B	6	5030	RIL	Remove Interrupt Lockout	2
32	ENTB	Enter B, Y	4	5032	EXL	Remove Ext Interrupt Lockout	2
33	ENTBB	Enter B, Y + B	4	5034	SIL	Set Interrupt Lockout	2
34	JP	Jump, Y	2	5036	SXL	Set Ext Interrupt Lockout	2
35	JPB	Jump, Y + B	2	5041	RSHAU	Right Shift AU, k	2+.5k
36	ENTBK	Enter, B, U	2	5042	RSHAL	Right Shift AL, k	2+.5k
37	ENTBKB	Modify B,U	2	5043	RSHA	Right Shift A, k	2+.5k
40	CL	Store Zero, Y	4	5044	SF	Scale A Left, k, SF	4+.5k
41	CLB	Store Zero, Y + B	4	5045	LSHAU	Left Shift AU, k	2+.5k
42	STRB	Store, B, Y	4	5046	LSHAL	Left Shift AL, k	2+.5k
43	STRBB	Store B, Y + B	4	5047	LSHA	Left Shift A, k	2+.5k
44	STRAL	Store AL, Y	4	5050	SKP	Skip Console Key, k	2
45	STRALB	Store AL, Y + B	4	5051	SKPNBO	Skip No Borrow	2
46	STRAU	Store AU, Y	4	5052	SKPOV	Skip Overflow	2
47	STRAUB	Store AU, Y + B	4	5053	SKPNOV	Skip No Overflow	2
51	SLSET	Selective Set (IOR), Y	4	5054	SKPODD	Skip L(AU,AL) Odd Parity	2
52	SLCL	Selective Clear (AND), Y	4	5055	SKPEVN	Skip L(AU,AL) Even Parity	2
53	SLCP	Selective Complement (XOR), Y	4	5056	STOP	Stop Console Key, k	2
54	IJPEI	Indirect Jump (RIL), Y	4	5057	SKPNR	Skip Resume ff (Intercomp)	2
55	IJP	Indirect Jump, Y	4	5060	RND	Round AU	2
56	BSK	Increment B, Skip, Y	4	5061	CPAL	Complement AL	2
57	ISK	Decrement Index, Skip, Y	6	5062	CPAU	Complement AU	2
60	JPAUZ	Jump AU Zero, Y	2	5063	CPA	Complement A	2
61	JPALZ	Jump AL Zero, Y	2	5072	ENTICR	Enter ICR, k	2
62	JPAUNZ	Jump AU Not Zero, Y	2	5073	ENTSR	Enter SR, k	2

# UNIVAC

DIVISION OF SPERRY RAND CORPORATION  
DEFENSE MARKETING  
UNIVAC PARK, ST. PAUL, MINN. 55116  
AREA CODE 612, 688-2451

## REGIONAL OFFICES

WASHINGTON, D. C., 20007, 2121 Wisconsin Avenue, N.W., 338-8510 ■ COCOA BEACH, FLORIDA, 32931, Suite 176, Holiday Office Center, 1325 North Atlantic Avenue, 783-8461 ■ LEXINGTON, MASS., 02173, 1776 Massachusetts Avenue, 862-2650 ■ GREAT NECK, LONG ISLAND, N. Y., 11020, Sperry Gyroscope Bldg., 775-9020 ■ LOS ANGELES, CALIFORNIA, 90045, Suite 220, 5316 W. Imperial Highway, 678-2531 ■ SAN DIEGO, CALIFORNIA, 92110, 3045 Rosecrans, 224-3333 ■ HOUSTON, TEXAS, 77023, Suite A-119, Houston Petroleum Center, 6001 Gulf Freeway, WA 3-2513