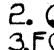
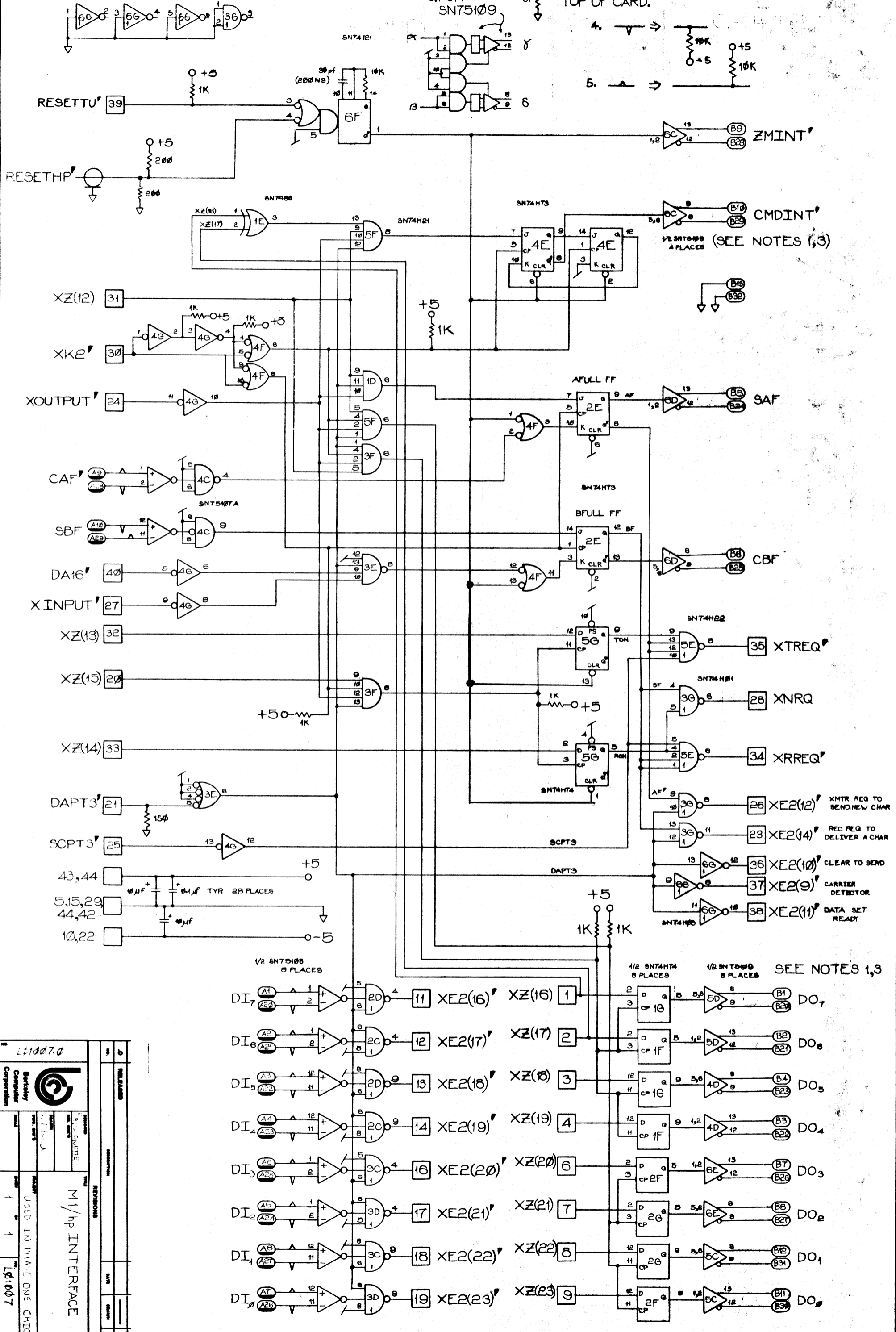



NOTES:
 1. FOR SN74H74 PINS 1,13(CLR) & 4,10(PRE) TIED HIGH
 2.  PIN IN RIBBON CONNECTOR AT TOP OF CARD.
 3. FOR SN75109



VE SN75109 4 PLACES (SEE NOTES 1,3)

SEE NOTES 1,3

LT1007.0



Relay
 Berkeley
 Computer
 Corporation

USED IN THREE ONE CHIO MPX

LT1007

M1/hp INTERFACE