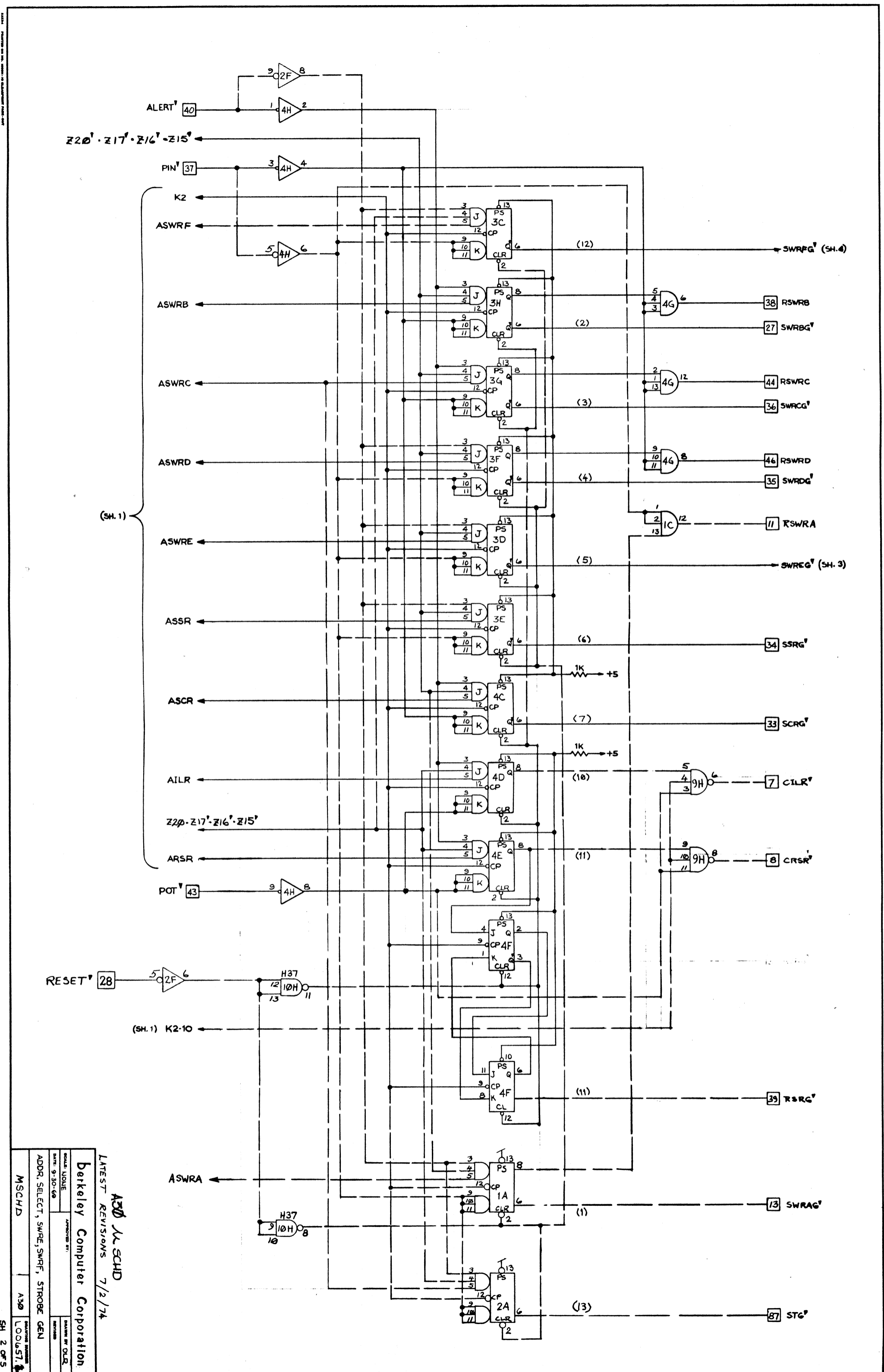


NOTES:
 1. UNLESS OTHERWISE SPECIFIED:
 ALL RESISTORS ARE 1/2W., 10%

A30 M.SCHD

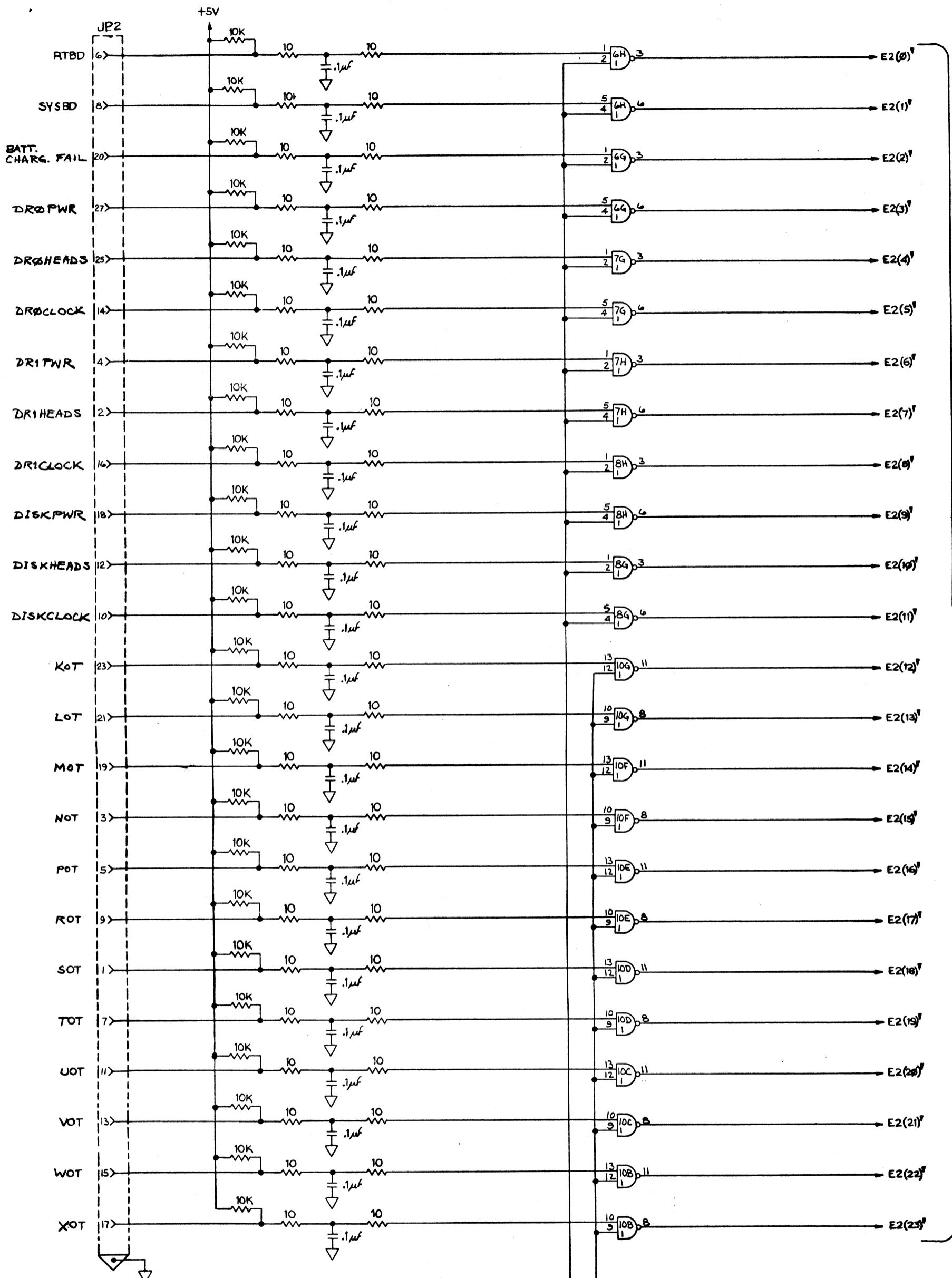
Berkeley Computer Corporation
 DATE: 9-30-69
 ADDR. SELECT, SWRE, SWRF, STROBE GEN
 M.SCHD
 A30 L00657.20



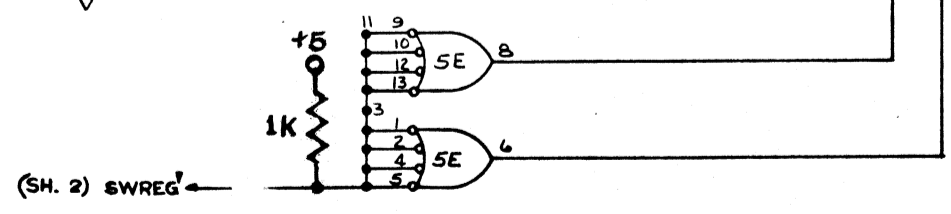
(SH.1)

ASD M. SCHUD
 LATEST REVISIONS 7/2/74

Berkeley Computer Corporation
 9-30-69
 ADDR. SELECT, SWRE, SWRF, STROBE GEN
 MSCHUD
 ASB
 L00657

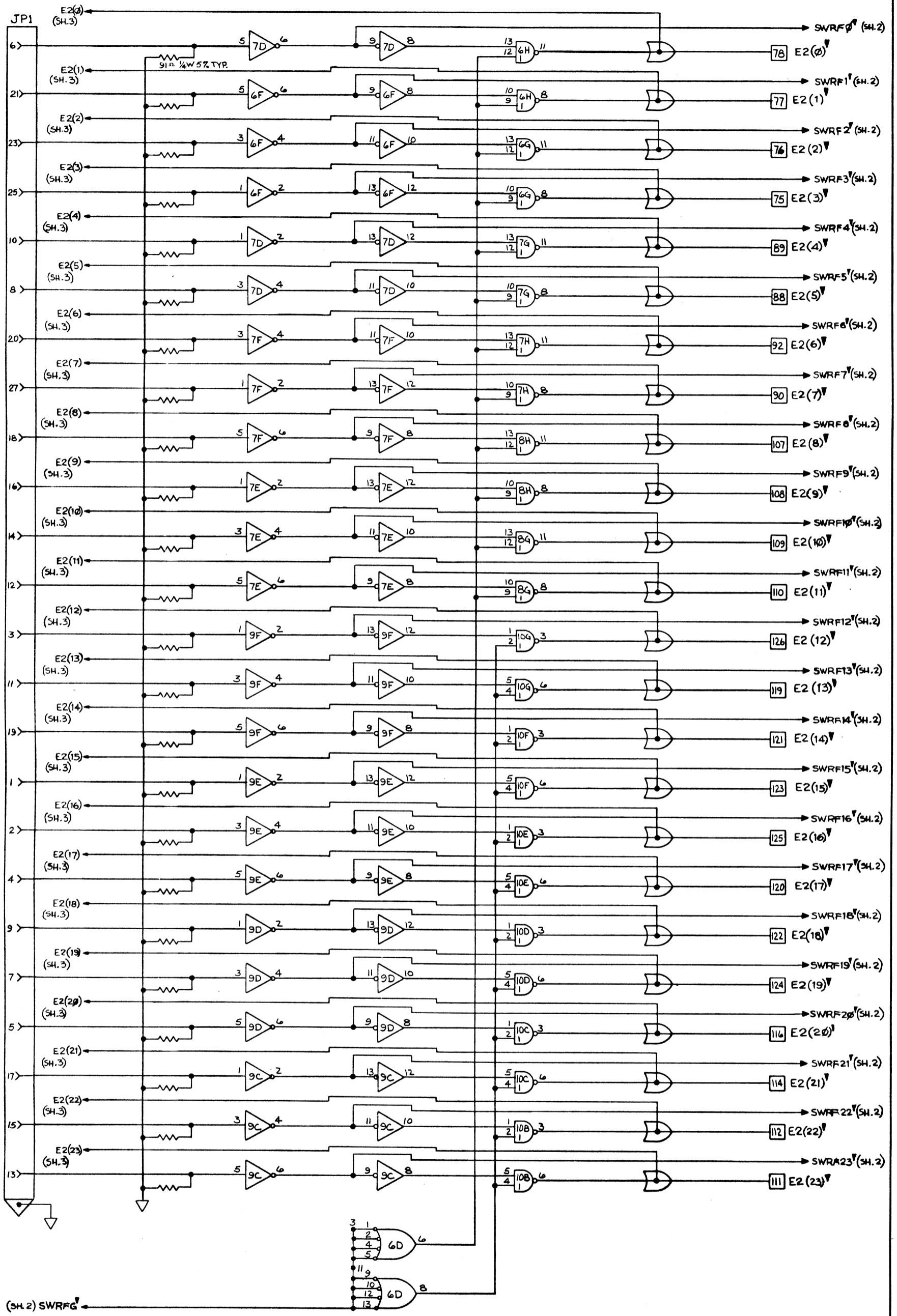


(SH. 4)



A3Ø M-SCHØD

Berkeley Computer Corporation
 SCALE: NONE
 DATE: 9-29-69
 APPROVED BY: [Signature]
 DRAWN BY: DLR
 ADDR. SELECT, SWRØF, SWRØP, STROBE ØØU
 M-SCHØD
 A3Ø L006571



A30 μSCHD

Berkeley Computer Corporation

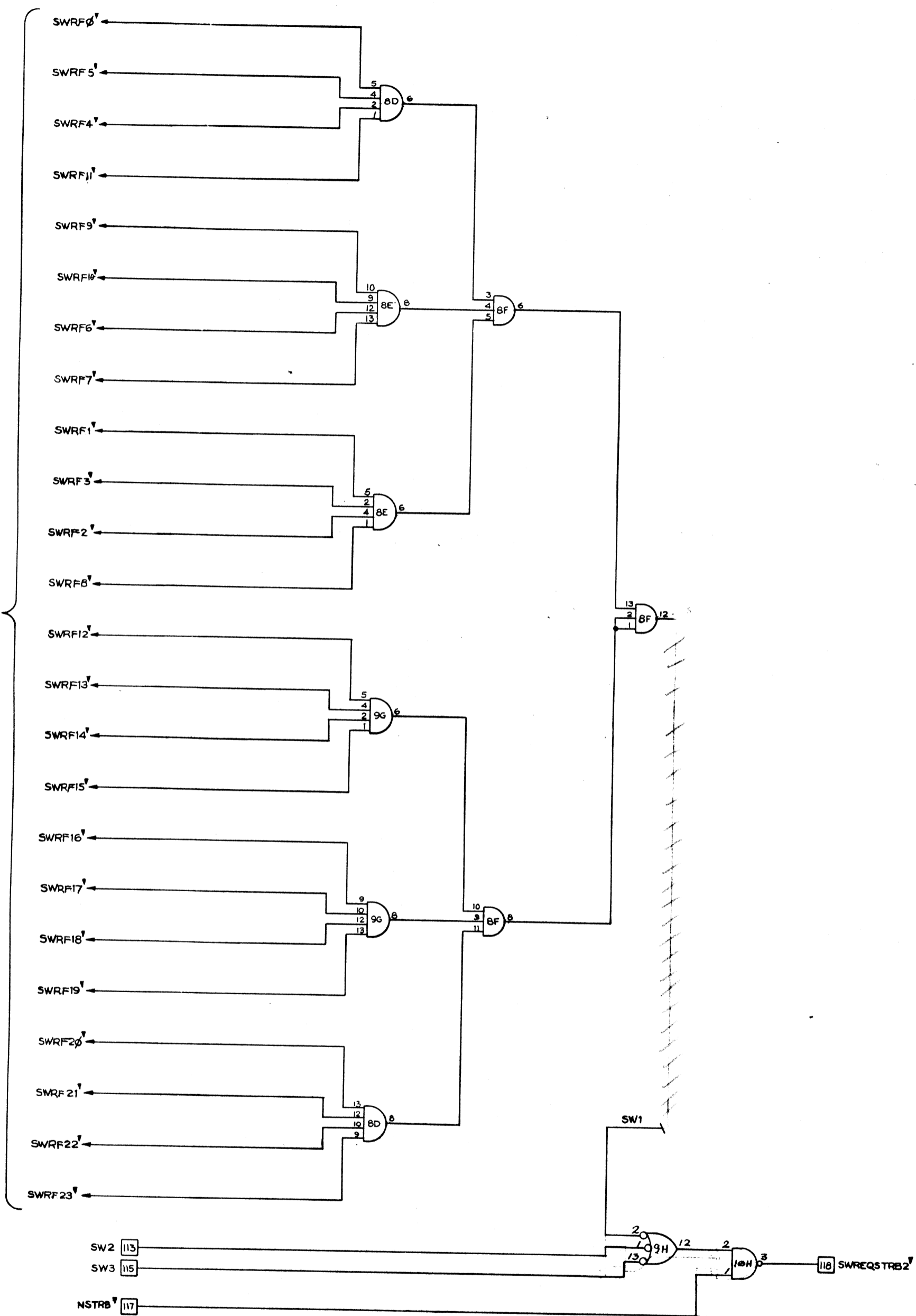
SCALE: NONE

DATE: 9-26-69

ADDR. SELECT, SWRF, SWRF, STROBE GEN

MSCHD

A30 100657.02



(SH. 4)

A300 MSCHD

Berkeley Computer Corporation

SCALE: NONE

DATE: 9-29-69

ADDR. SELECT, SWRE, SWRF, STROBE GEN

MSCHD

A300 100457