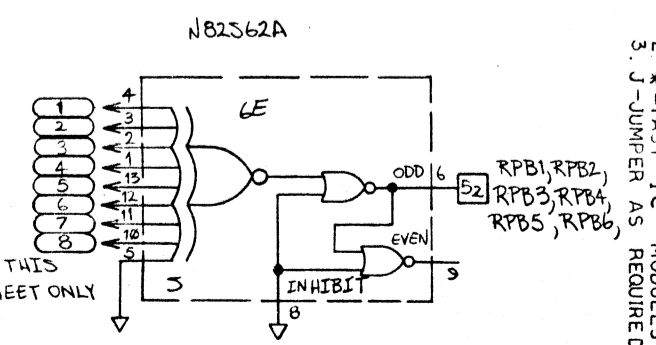
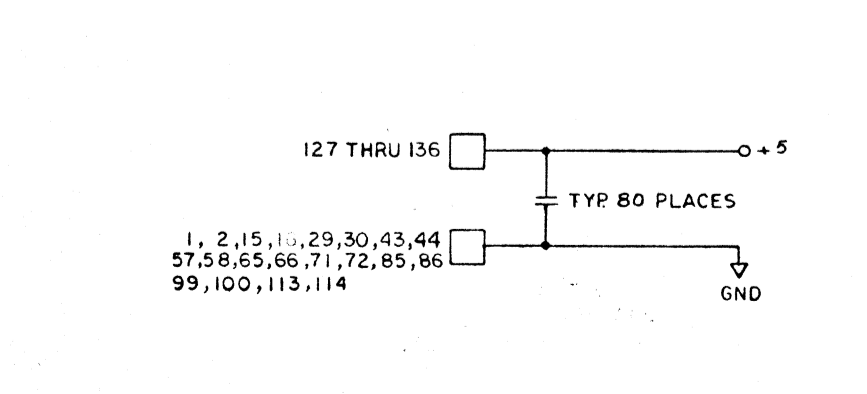


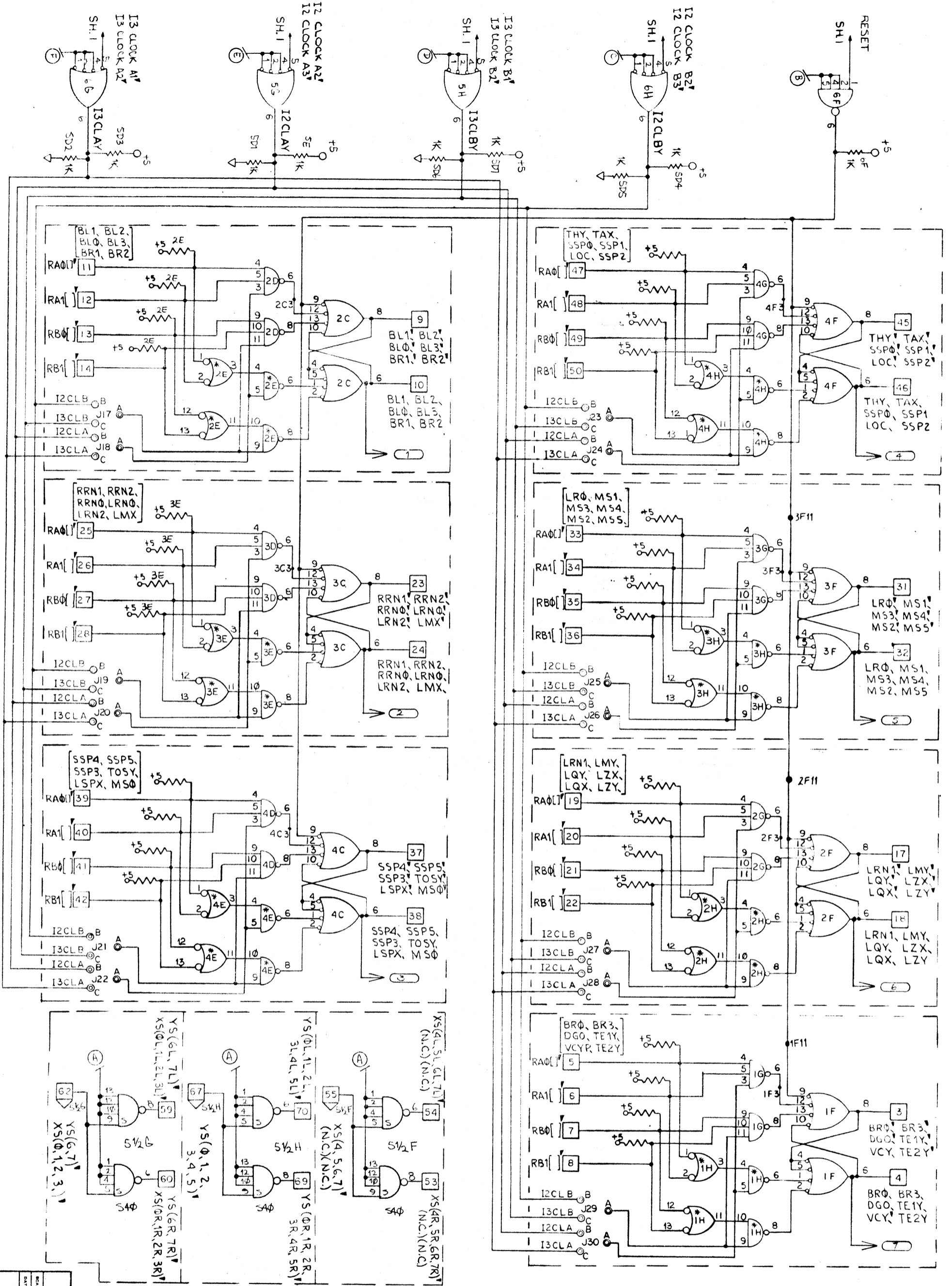
NO. 0  
 DESCRIPTION  
 Berkeley Computer Corporation  
 DATE 7 AUG 69  
 APPROVED BY: GCA  
 DRAWING NUMBER: L00252.2  
 REVISED 1-8-70  
 I REGISTER (I0, I1, I2, I3, I4, I5)  
 SH 1 OF 2



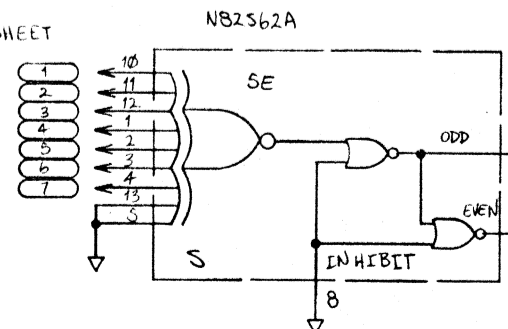
1. UNLESS OTHERWISE SPECIFIED:  
 RESISTORS ARE RC2720  
 CAPACITORS ARE CD10070  
 TRANSISTORS ARE Q193640

NOTES:





ON THIS SHEET ONLY



RPA1, RPA2, RPA3, RPA4, RPA5, RPA6

- Notes:
- (A) 5 1/2 H
  - (B) 6 F
  - (C) 6 H
  - (D) 5 H
  - (E) 5 H
  - (F) 6 F
- PULL-UP LOCATIONS

Berkeley Computer Corporation  
 DATE 7/4/59  
 DRAWN BY GCA  
 CHECKED BY  
 I REGISTER (10,11,12,13,14,15)  
 DRAWING NUMBER  
 1001522  
 SH 2 OF 2