

127, 128, 129, 130, 131
 132, 133, 134, 135, 136
 22, 24, 25, 26, 27, 28
 30, 33, 34, 37, 42, 49
 51, 52, 54, 57, 58, 60
 61, 62, 63, 64, 65, 67
 69, 71, 73, 75, 78, 81
 85, 86, 87, 88, 90, 93
 94, 96, 97, 102, 105
 106, 108, 109, 111

+5
 CD10070 TYR 82 PLACES
 GND

NOTE:

1. UNLESS OTHERWISE SPECIFIED ALL RESISTORS ARE 1/8W ±10%
2. Ⓞ KLUGE HARD WIRE
* PC CONDUCTOR IS CUT
3. THIS LOGIC DIAG. FOR USE WITH AC 00247.A ONLY
4. ON SEVERAL PROCESSORS, ALL OF THE CHIPS INDICATED AS 'S' LOGIC ON THIS PRINT AREN'T.

A13, 19, 24

B - PER DEBUG. BOOK 7-31-70 DM

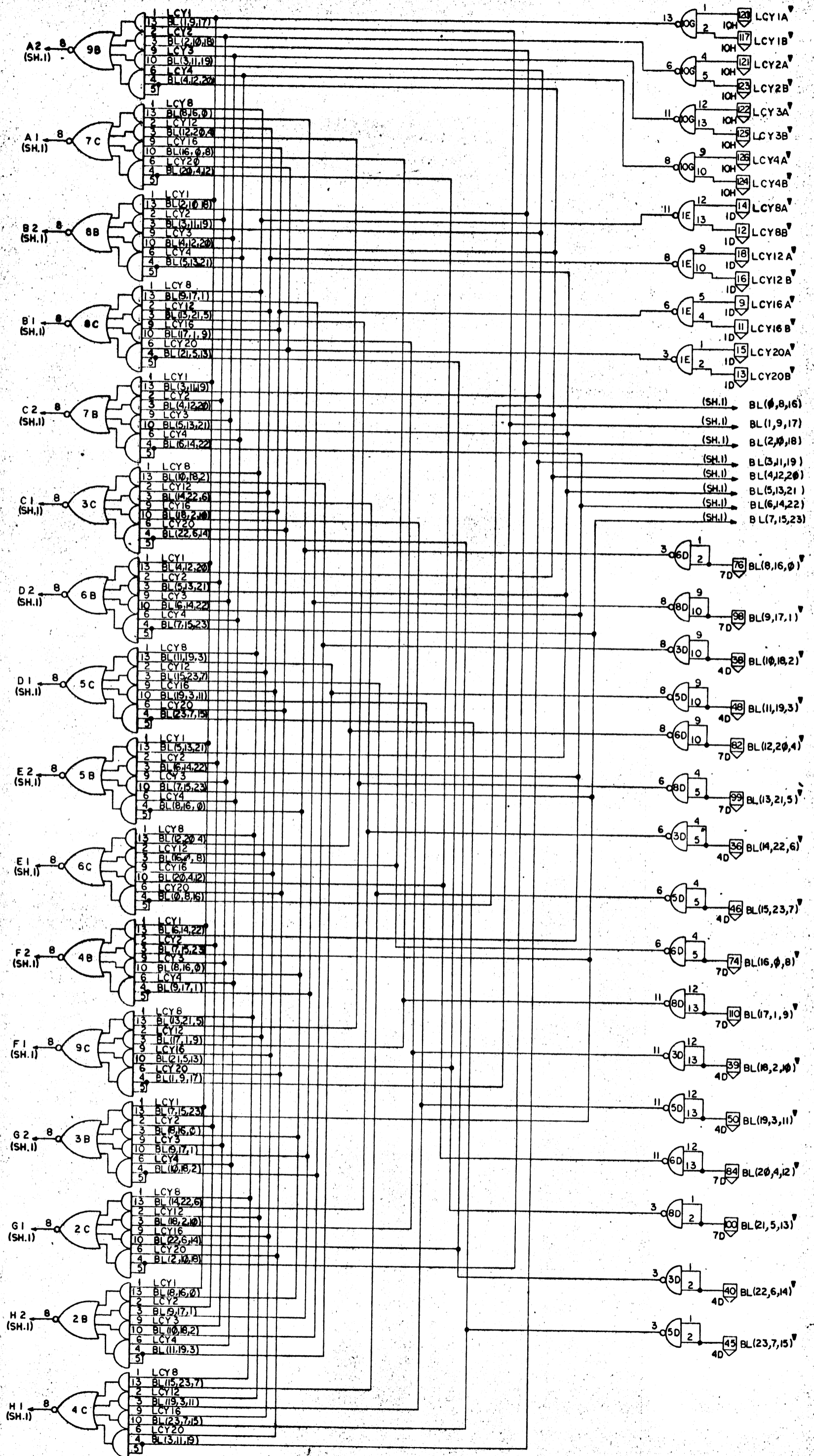
berkeley Computer Corporation

DATE: 15-9-69

ADDER-CYCLER BITS (0-23)

FIRST USED ON M1 MSCH

L00247A



A15, 19, 24

Berkeley Computer Corporation
 NONE
 19-9-69
 ADDER CYCLER BITS (0-23)
 FIRST USED ON M1 MSCH
 L002471