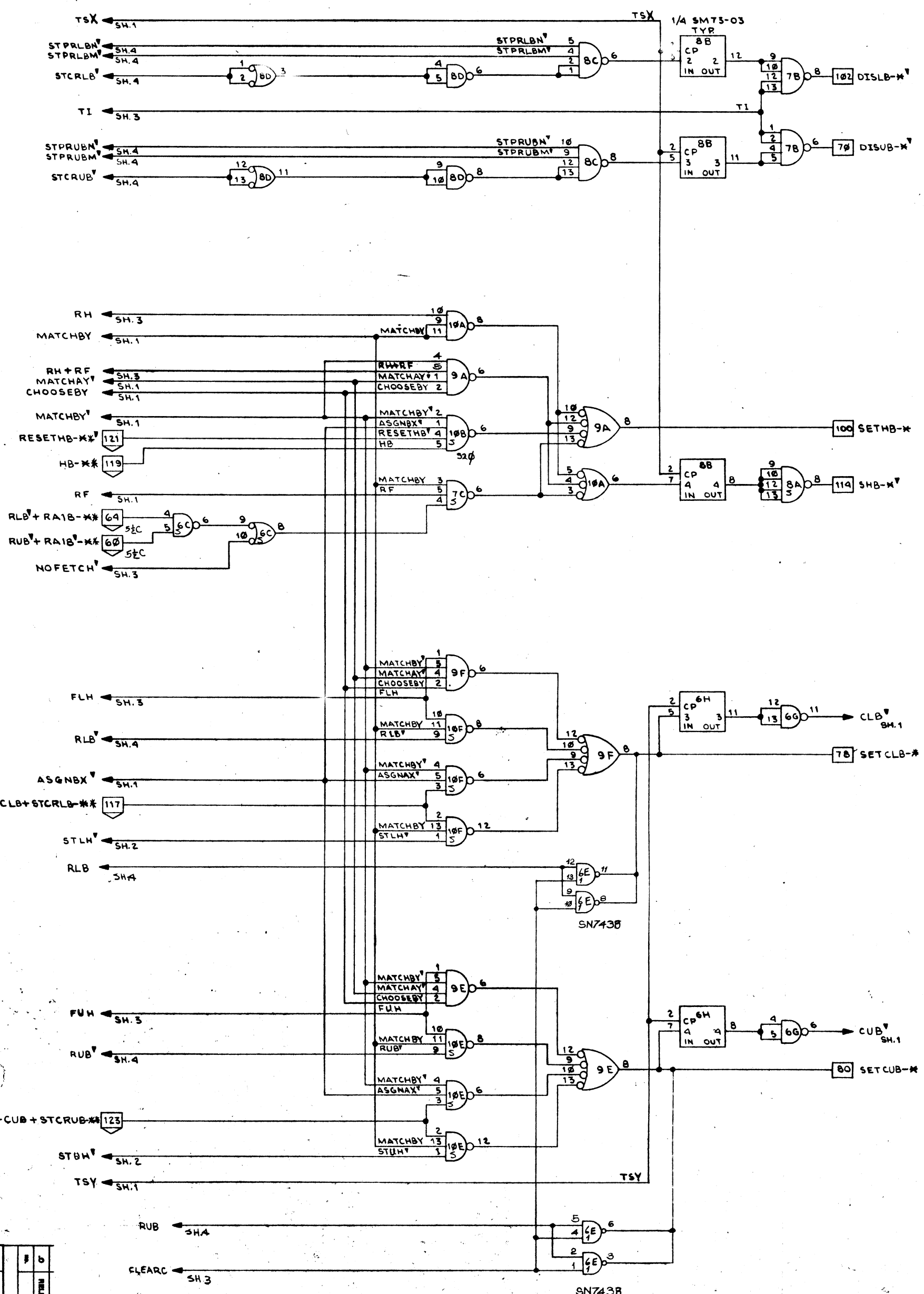


L00013.1

	S.T. LUSH Designer
	J.K.L. M. Designer
4 5 L00013 2	CONTROL CARD #2 FIRST USED ON M1-FM



L00013.1

Released

STULLER  
RECORDER  
413170

CONTROL CARD #2  
J. K. L. I. M.

FIRST USED ON M1-FM  
L00013.2