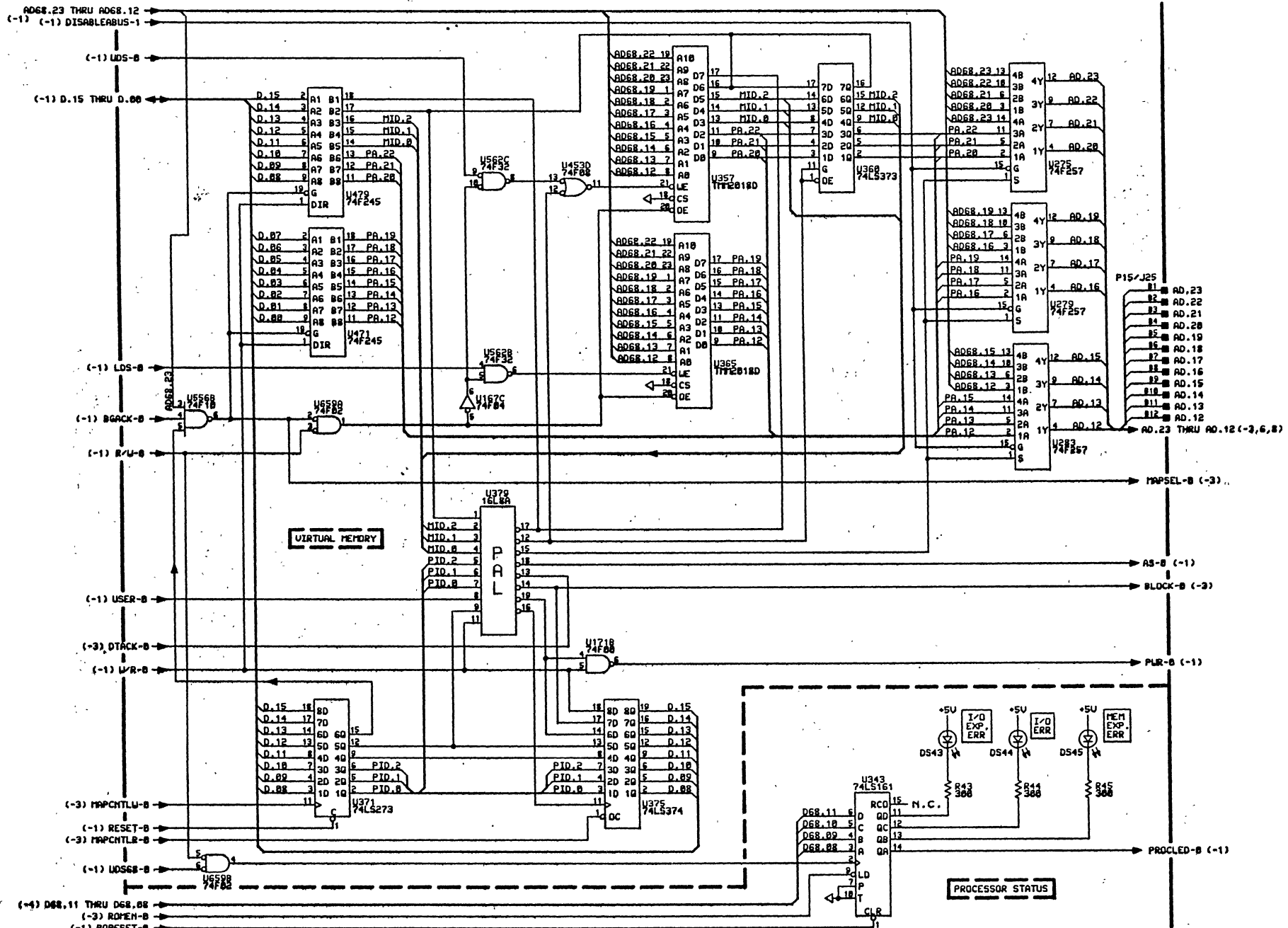


FIRST USE: 4484	OTHER USES:	NOTES:	TITLE: 670-8770-88	ASSEMBLY: CPU-1
DATE: 15 JANUARY 1985			CPU BOARD	Tektronix
CONTROL NO.: 508619.A01		TEKTRONIX, INC. © 1984		SHEET: 1 OF 10

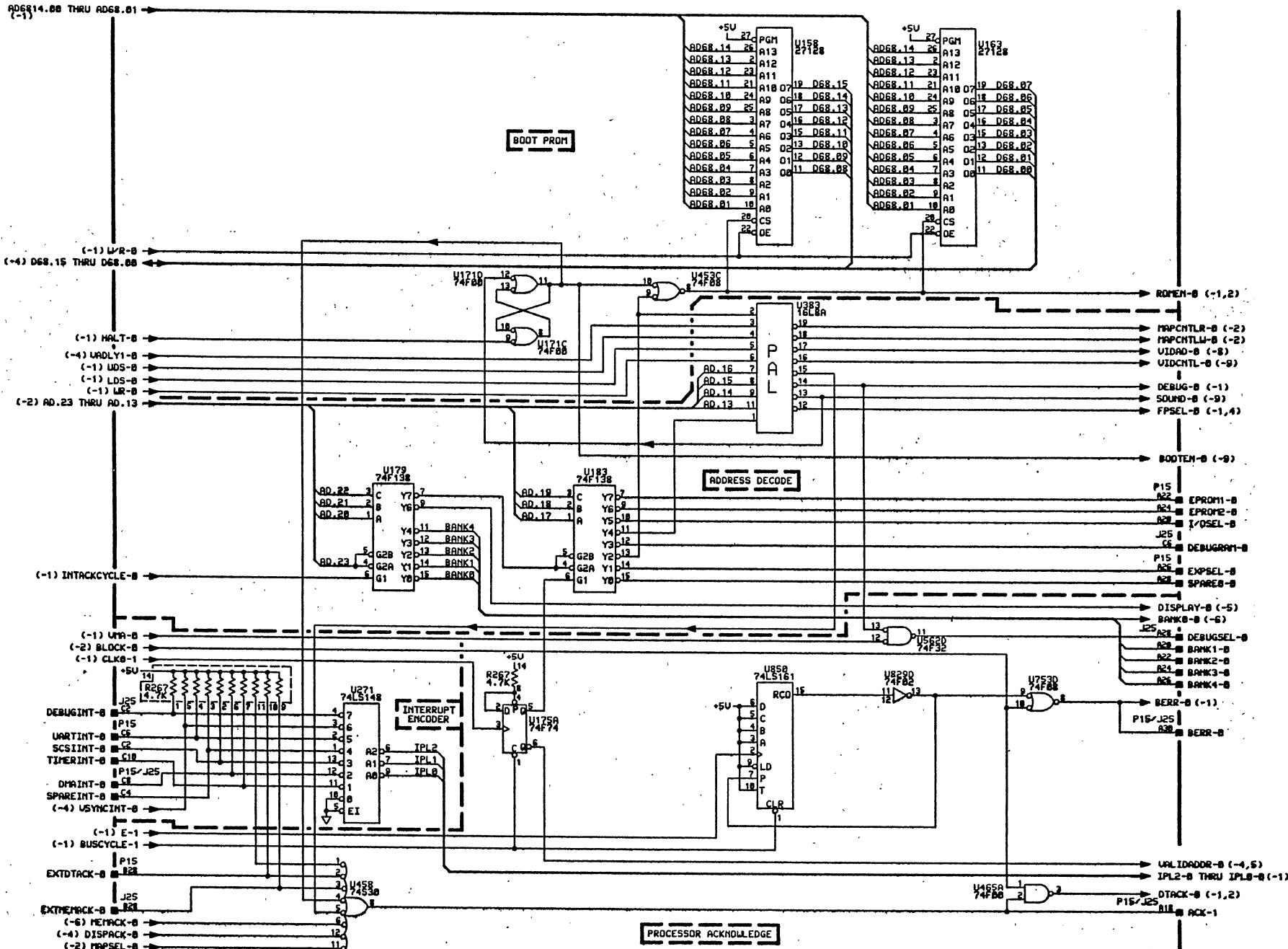


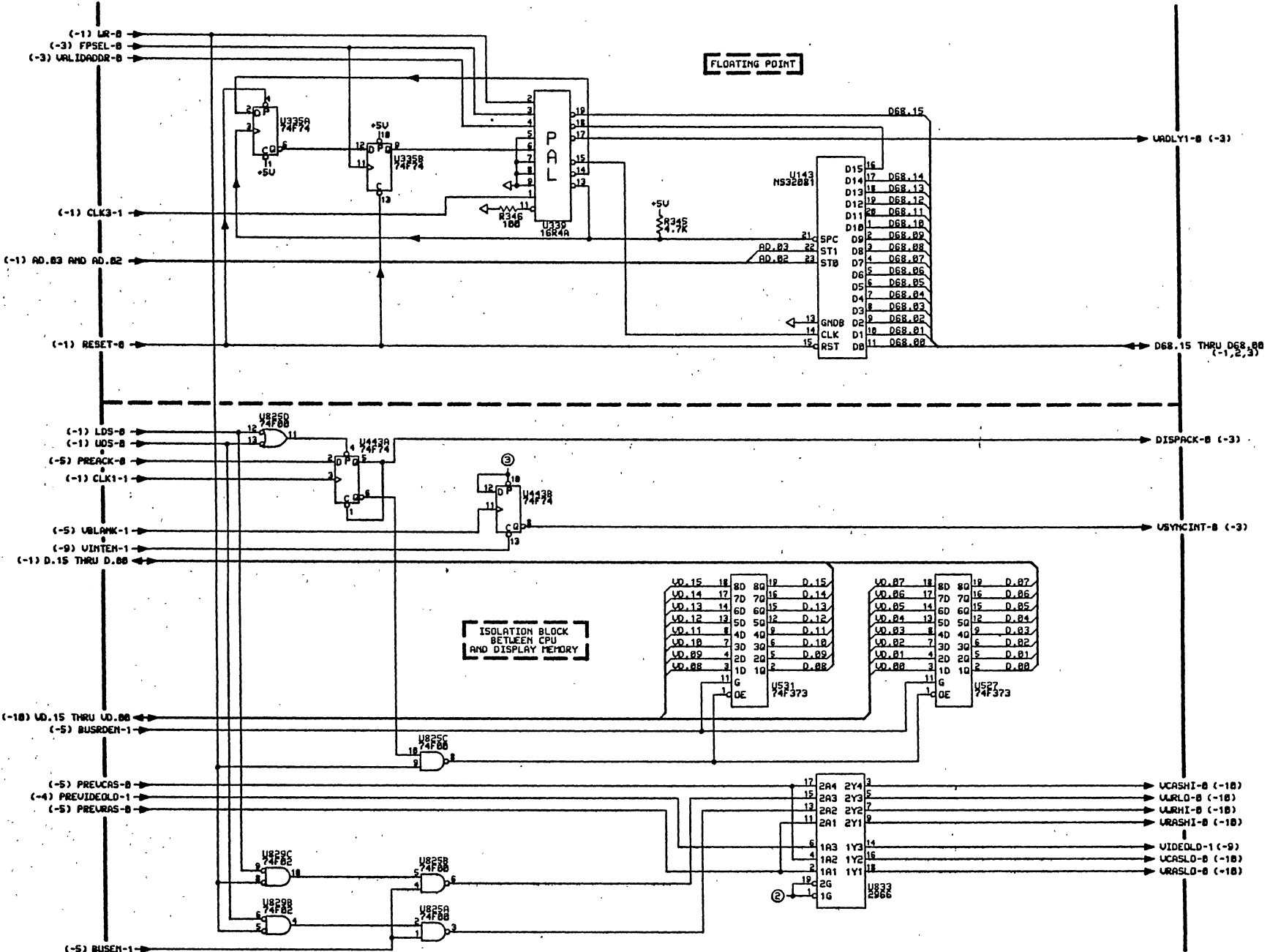
FIRST USE: 4484
 DATE: 15 JANUARY 1985
 CONTROL NO.: 50A819.A82

OTHER USES:
 NOTES:

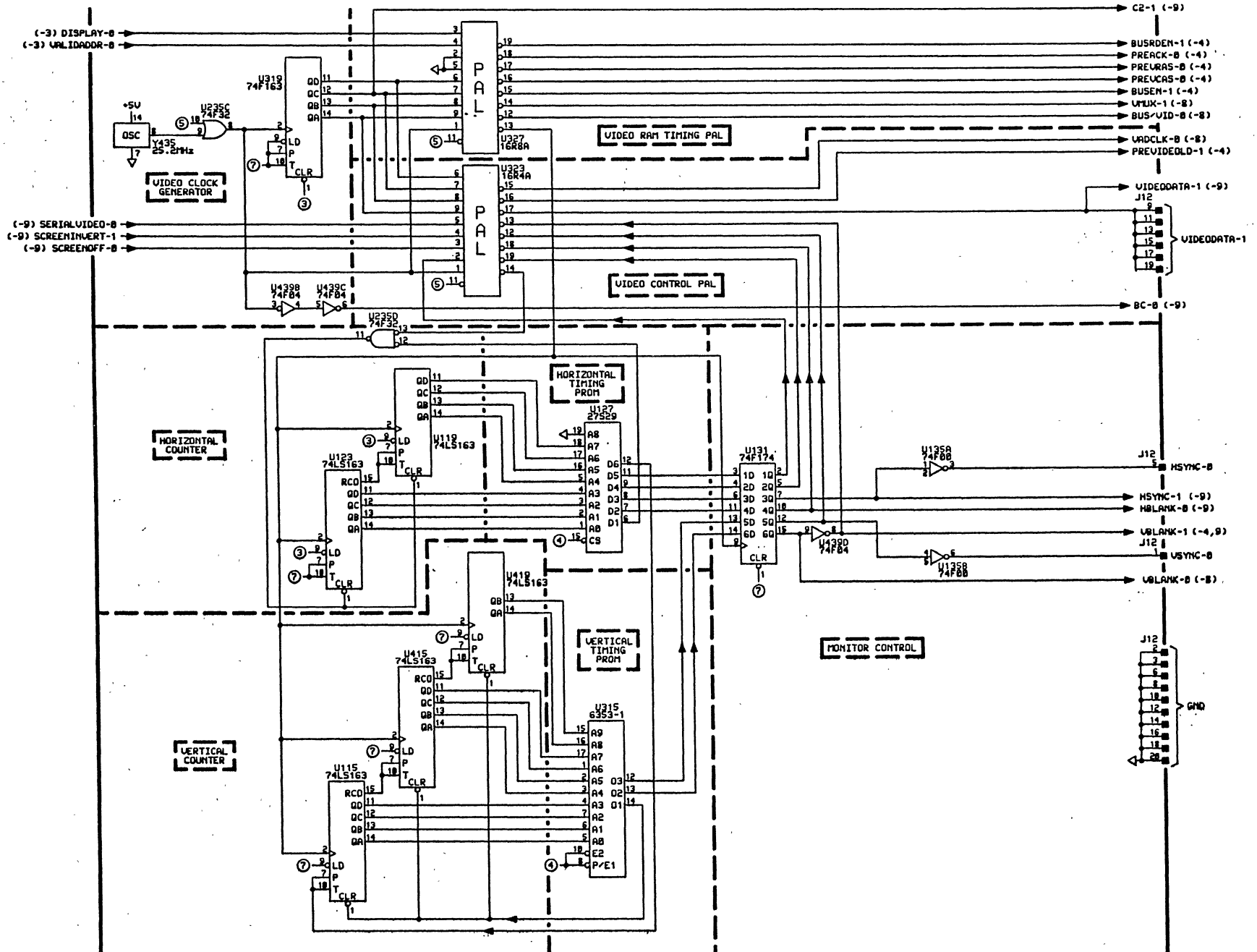
TITLE: 670-8770-00
 CPU BOARD
 TEKTRONIX, INC. © 1984

ASSEMBLY:
 CPU-2
 SHEET: 2 OF 18





FIRST USE: 4484	OTHER USES:	NOTES:	TITLE: 678-8778-88	ASSEMBLY:
DATE: 2 OCTOBER 1984			CPU BOARD	CPU-4
CONTROL NO.: 5DA819.A04		TEKTRONIX, INC. © 1984		SHEET: 4 OF 10



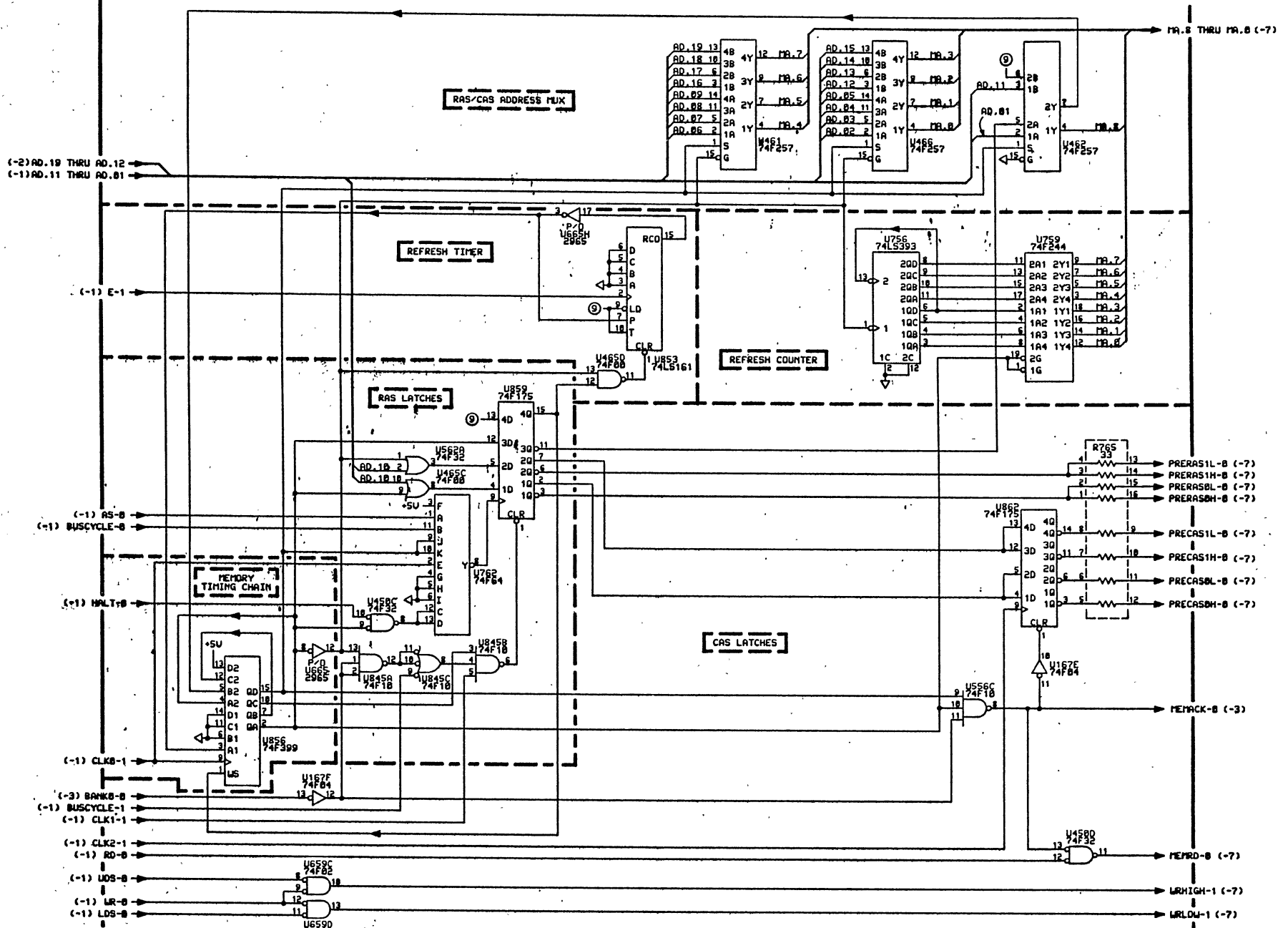
FIRST USE: 4484
 DATE: 2 OCTOBER 1984
 CONTROL NO.: 50A819.AB5

OTHER USES:
 NOTES:

TEKTRONIX, INC. © 1984

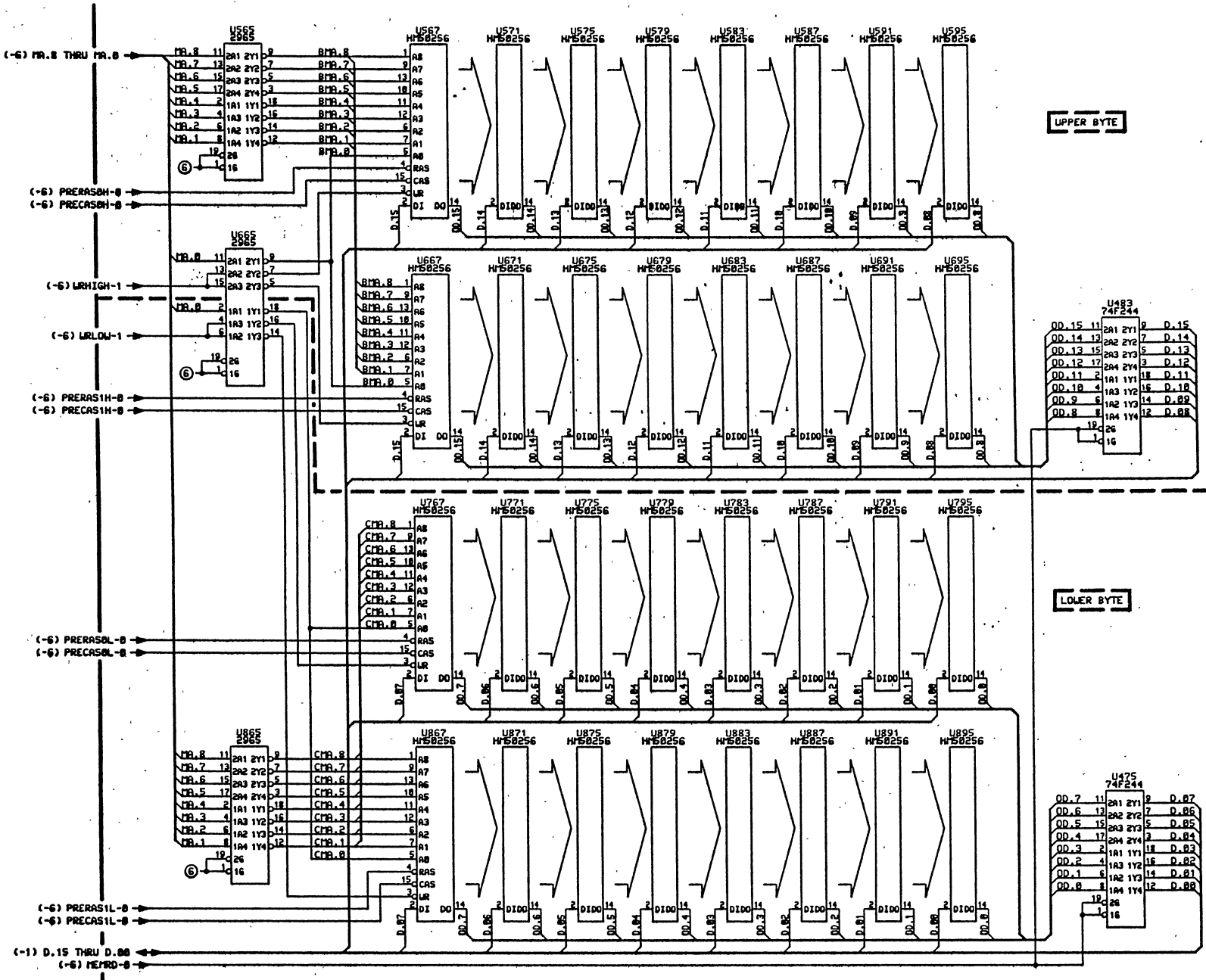
TITLE: 678-8778-08
 CPU BOARD
 VIDEO TIMING CONTROL

ASSEMBLY:
 CPU-5
 SHEET: 5 OF 18



FIRST USE: 4484	OTHER USES:	NOTES:	TITLE: 670-8770-00	CPU BOARD	ASSEMBLY: CPU-6
DATE: 3 OCTOBER 1984					
CONTROL NO.: 50A819.A06					SHEET: 6 OF 18

TEKTRONIX, INC. © 1984



FIRST USE: 4484
 DATE: 3 OCTOBER 1984
 CONTROL NO.: 50A819.A87

OTHER USES:

NOTES:

TITLE: 678-8776-88
 CPU BOARD
 RAM ARRAY

ASSEMBLY:
Tektronix
 CPU-7
 SHEET: 7 OF 18

VIDEO ADDRESS GENERATION

VIDEO ADDRESS MUX

DRAW DRIVER

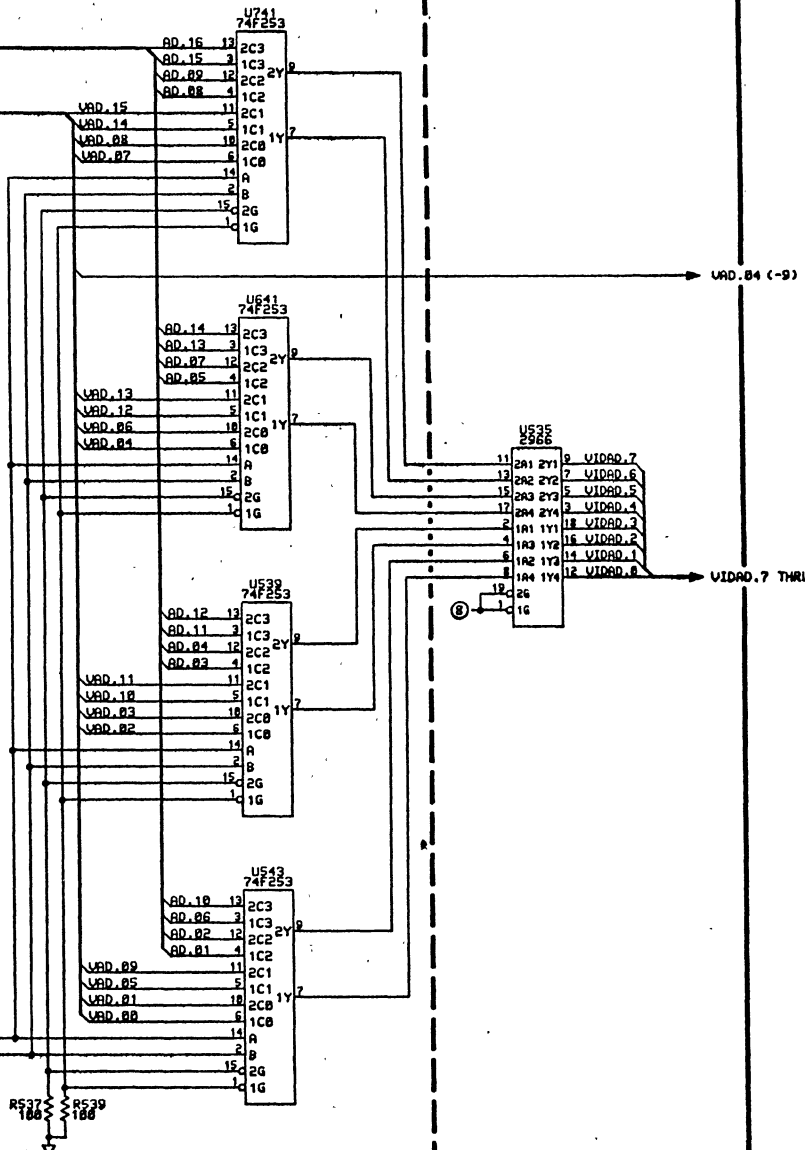
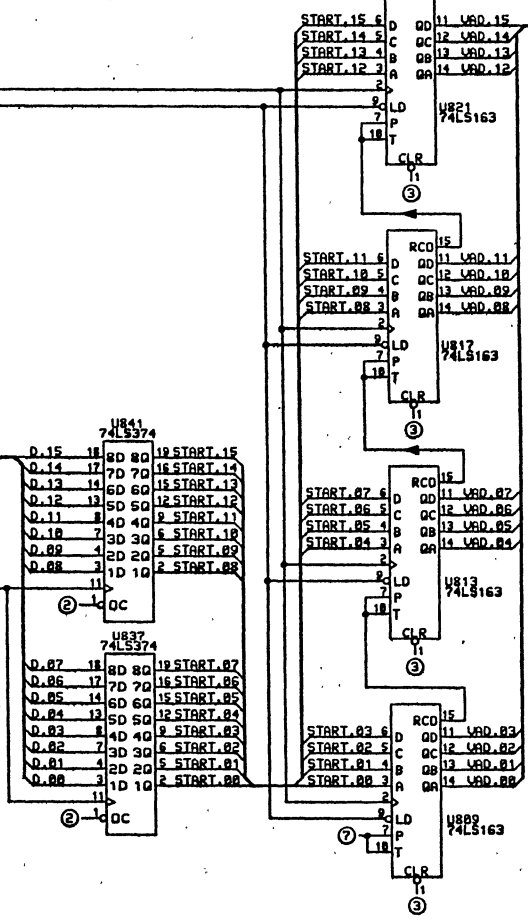
(-2) AD.16 THRU AD.12
 (-1) AD.11 THRU AD.01

(-5) UADCLK-B
 (-5) UBLANK-B

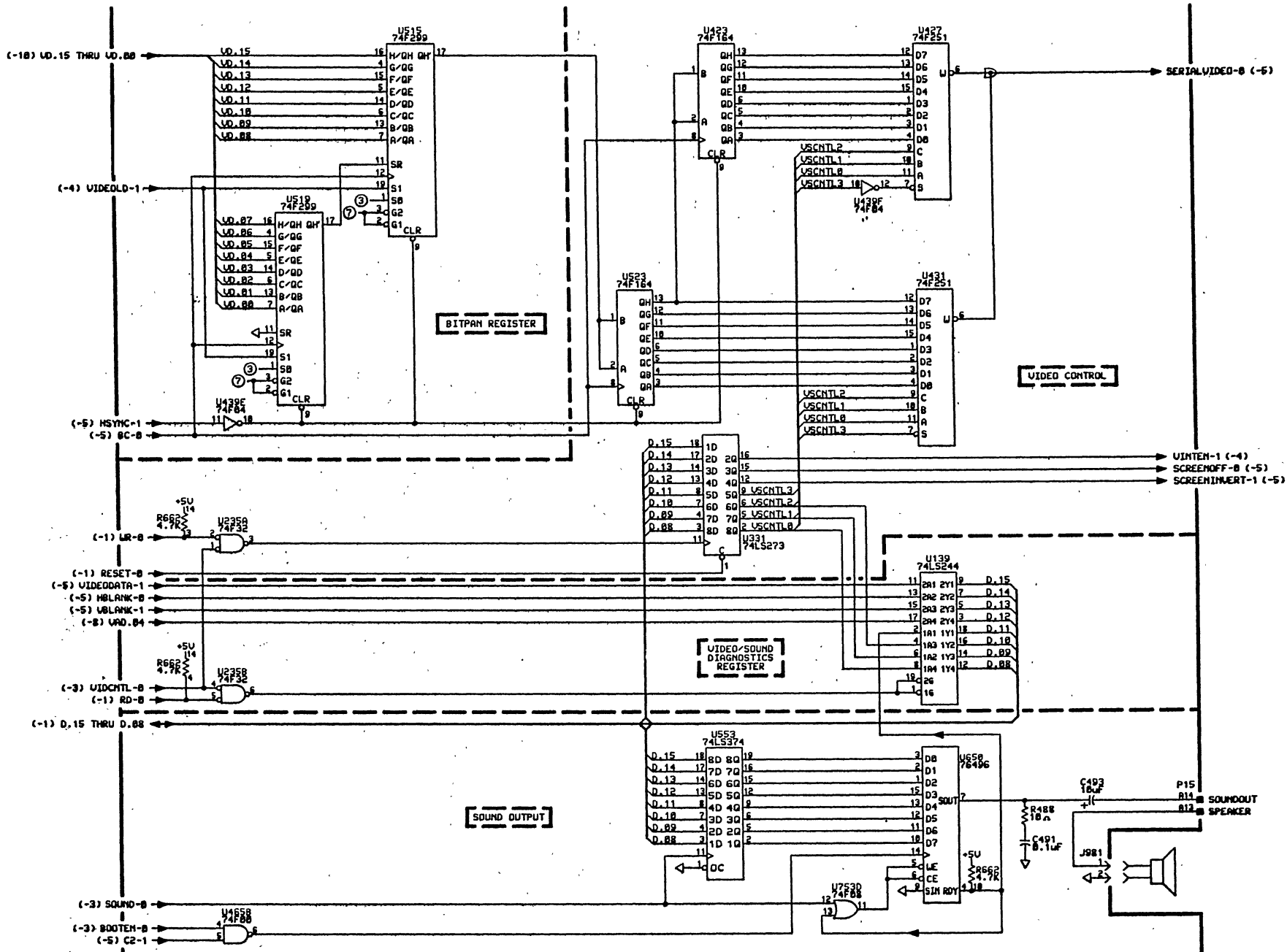
(-1) D.15 THRU D.00

(-3) UIDAD-B

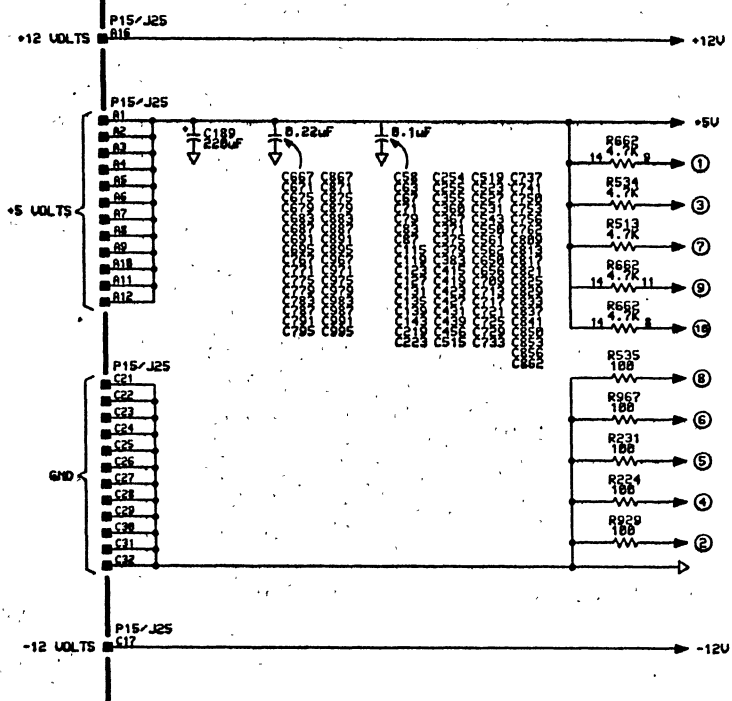
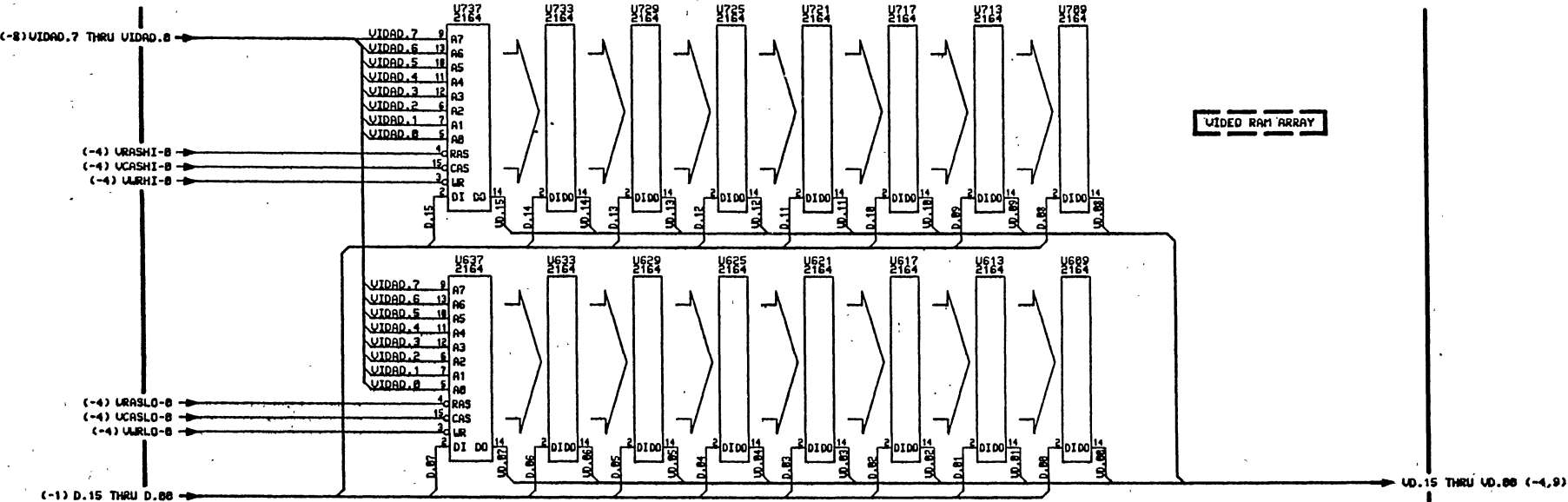
(-5) UUX-1
 (-5) BUS-VID-B



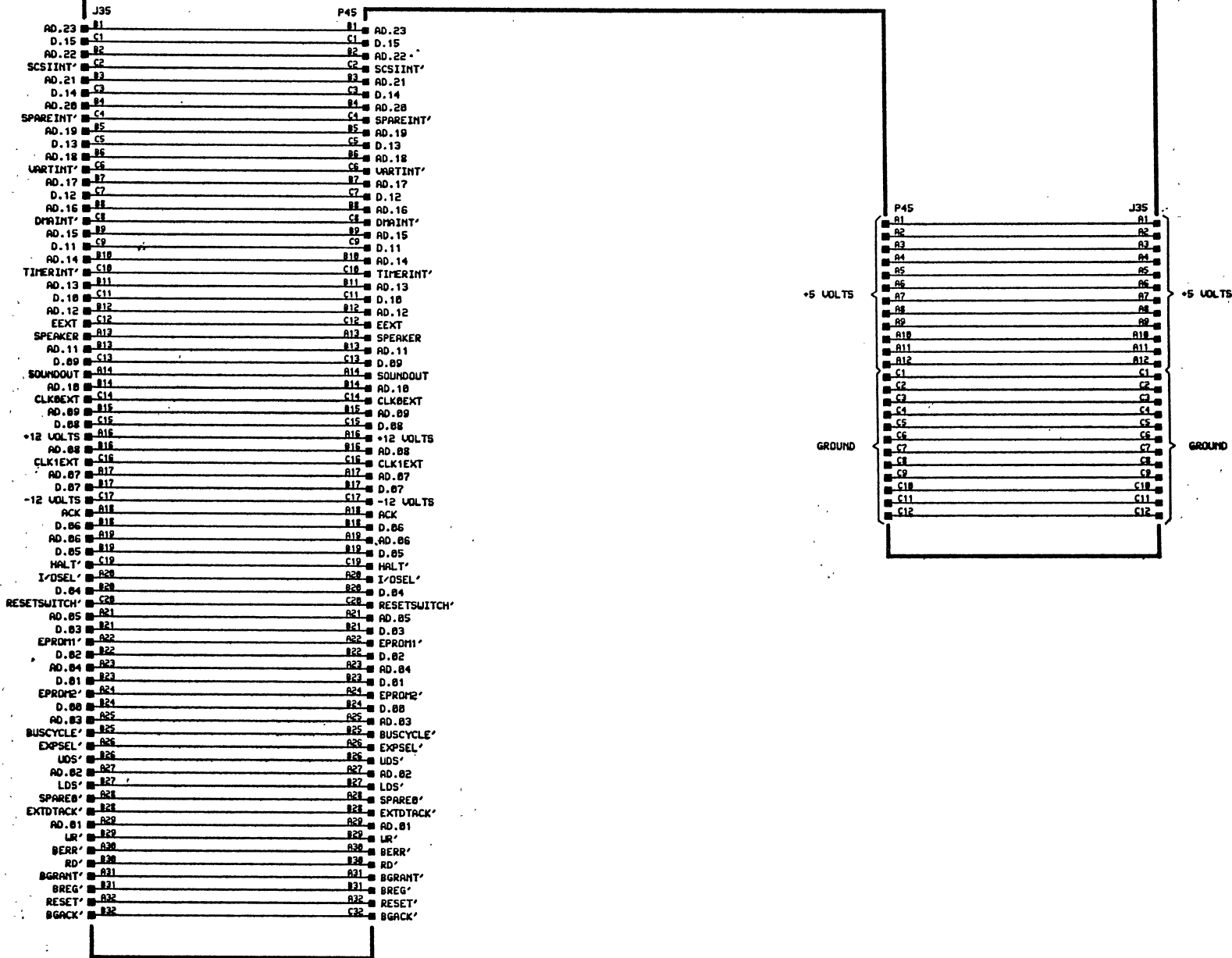
FIRST USE: 4484	OTHER USES:	NOTES:	TITLE: 678-8778-08	ASSEMBLY: CPU-8
DATE: 3 OCTOBER 1984			CPU BOARD	Tektronix
CONTROL NO.: 5DAB19.A88			TEKTRONIX, INC. © 1984	SHEET: 8 OF 10



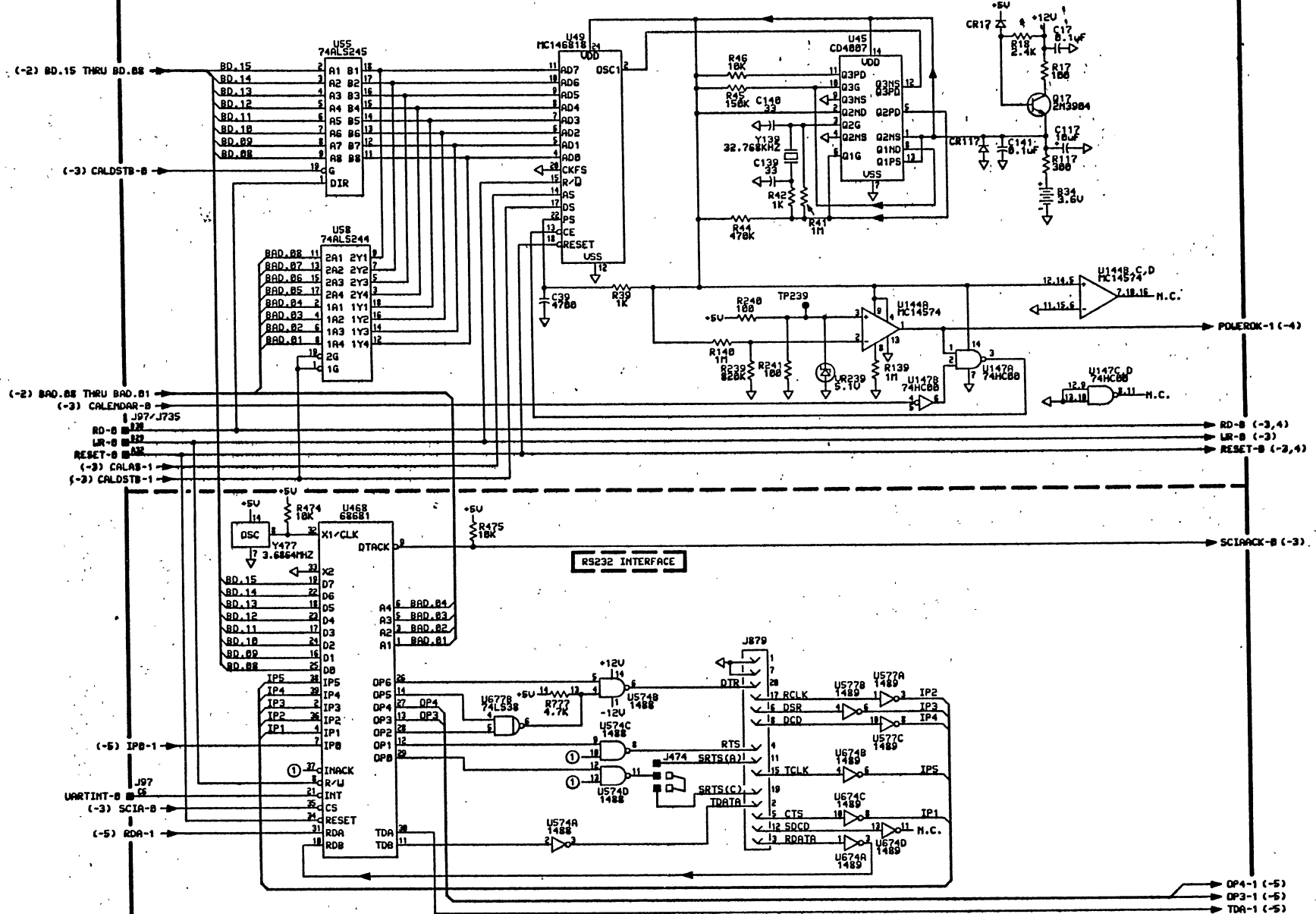
VIDEO RAM ARRAY



IC SUPPLIES		
DEVICE TYPE	PIN	
	+5V	GND
ALL 14 PIN IC's	14	7
2164 41256 (50256)	8	16
OTHER 16 PIN IC's	16	8
6353	18	9
ALL 28 PIN IC's	28	18
ALL 24 PIN IC's	24	12
27128	1, 28	14
MC68818	14, 49	16, 53



CLOCK/CALENDAR & BATTERY BACKED UP RAM



FIRST USE: 4484
 DATE: 7 FEBRUARY 1985
 CONTROL NO.: 5DA826.A81

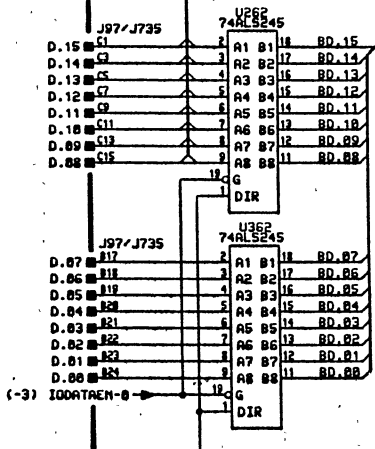
OTHER USES:
 NOTES:

TITLE: 678-8771-88
 I/O BOARD
 TEKTRONIX, INC. © 1984

ASSEMBLY:
 IO-1
 SHEET: 1 OF 5

Tektronix

(-4) D.15 THRU D.08

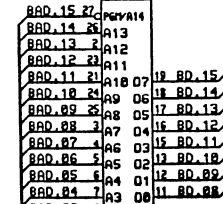
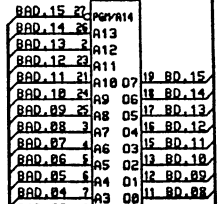
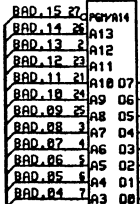
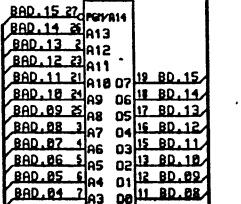


U99
27256

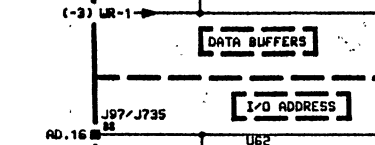
U75
27256

U75
27256

U68
27256



BD.15 THRU BD.08 (-1,3,4)

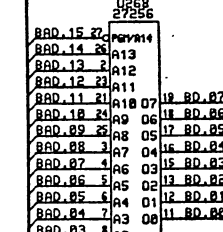
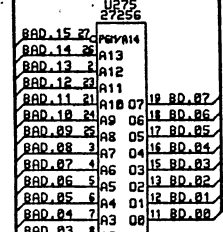
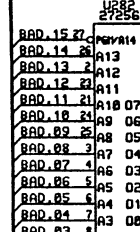
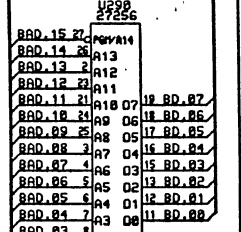


U99
27256

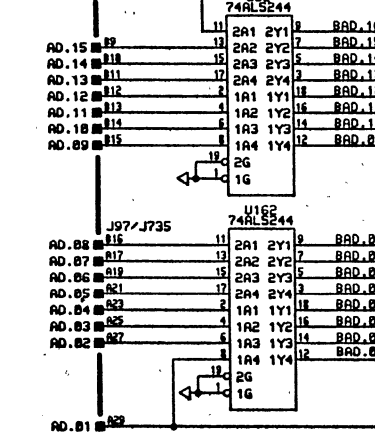
U62
27256

U75
27256

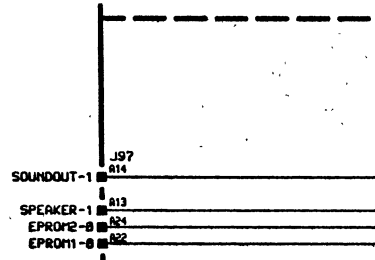
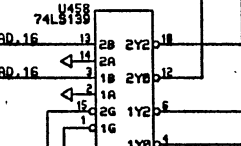
U68
27256



AD.16 (-3)

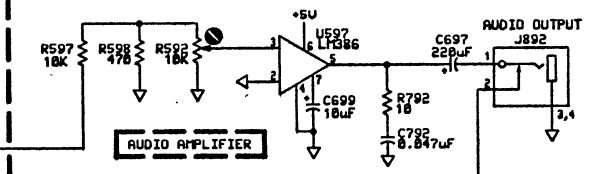


U458
74LS158



AD.16 THRU AD.01 (-1,3,4)

EPROM2-8 (-3)
EPROM1-8 (-3)



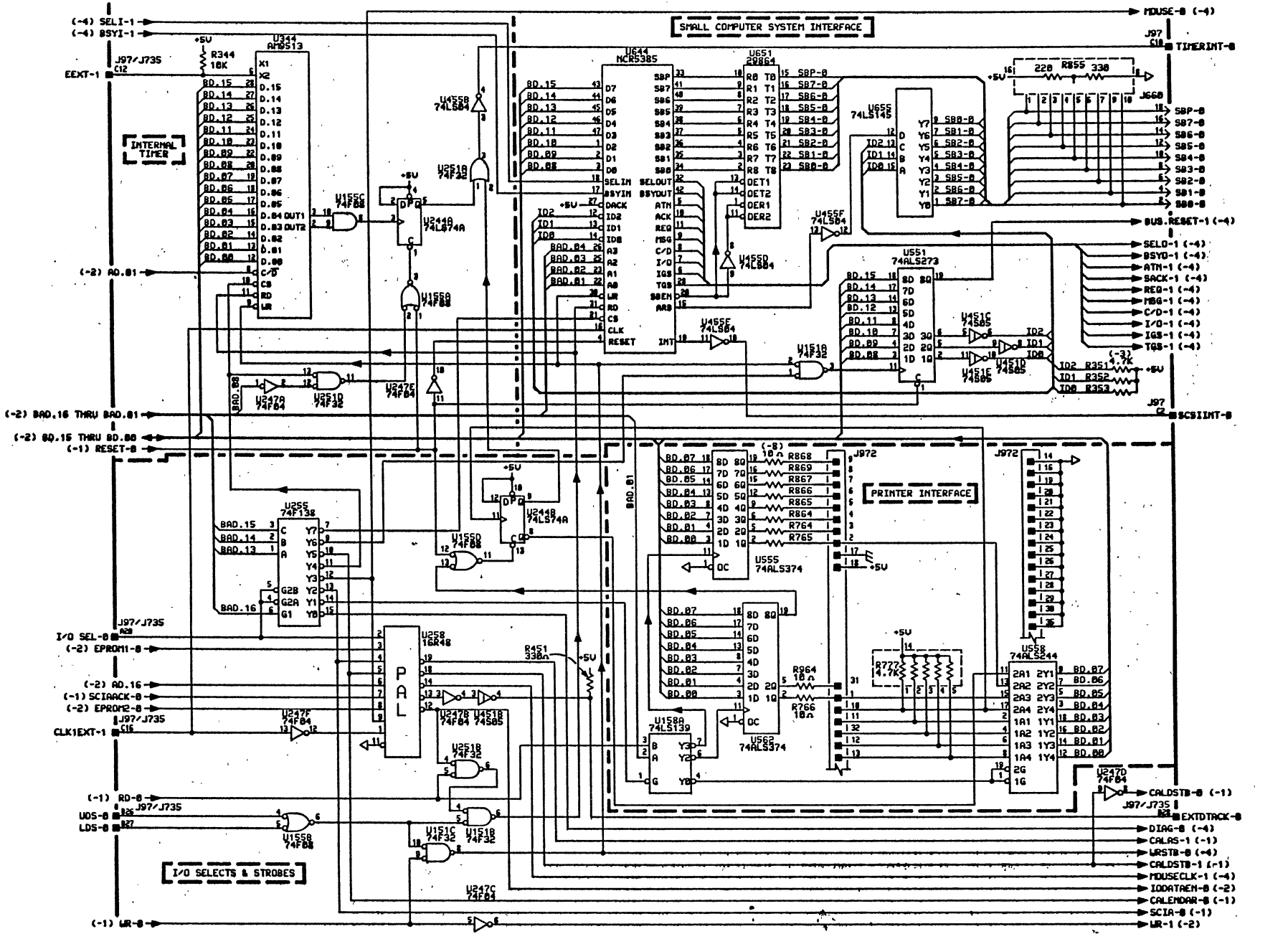
FIRST USE:	4484
DATE:	7 FEBRUARY 1985
CONTROL NO.:	SDAB28.A82

OTHER USES:	
NOTES:	

TEKTRONIX, INC. © 1984

TITLE: 678-8771-88
I/O BOARD

ASSEMBLY:	IO-2
SHEET:	2 OF 5



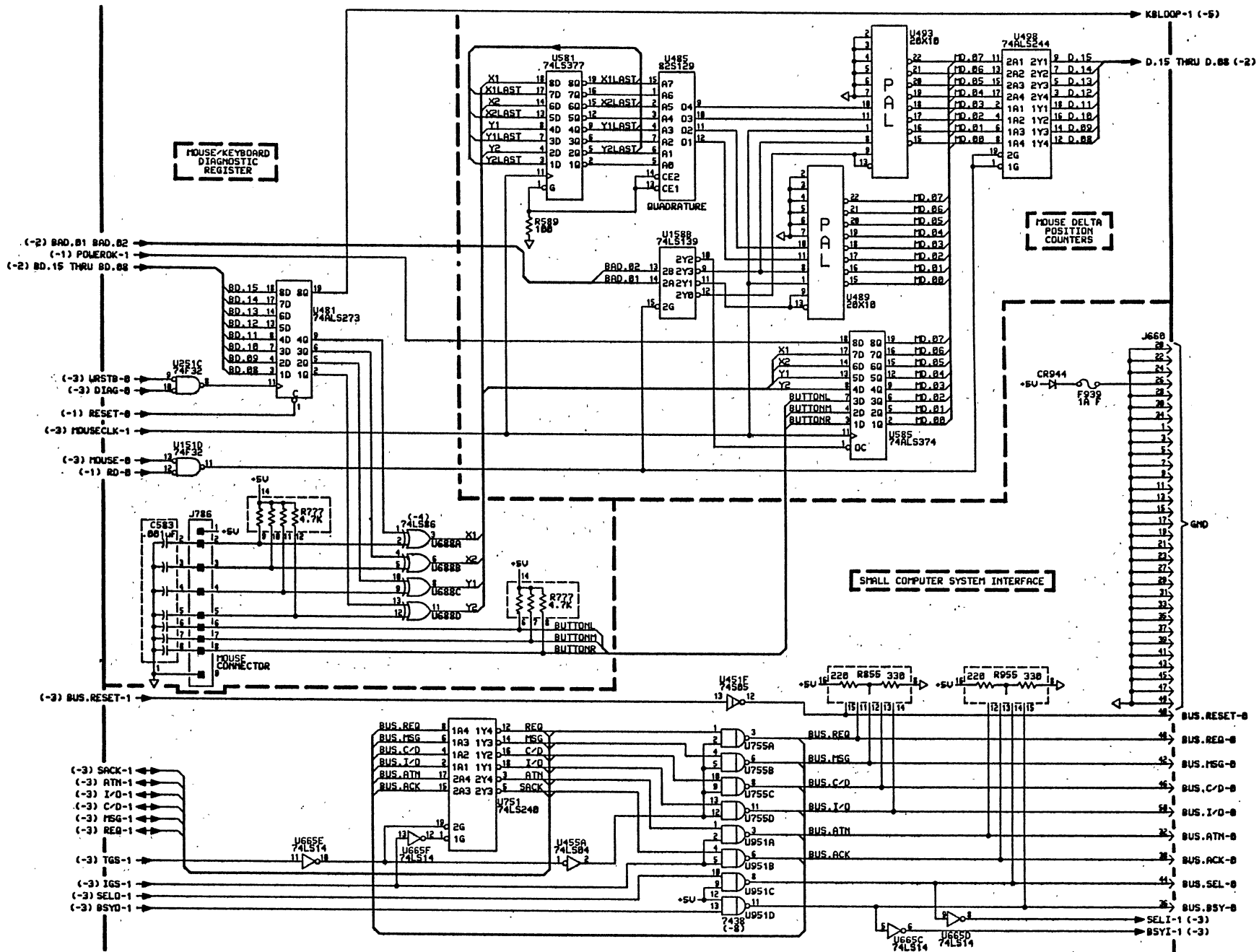
FIRST USE:	4484
DATE:	11 JANUARY 1985
CONTROL NO.:	50A82B.A03

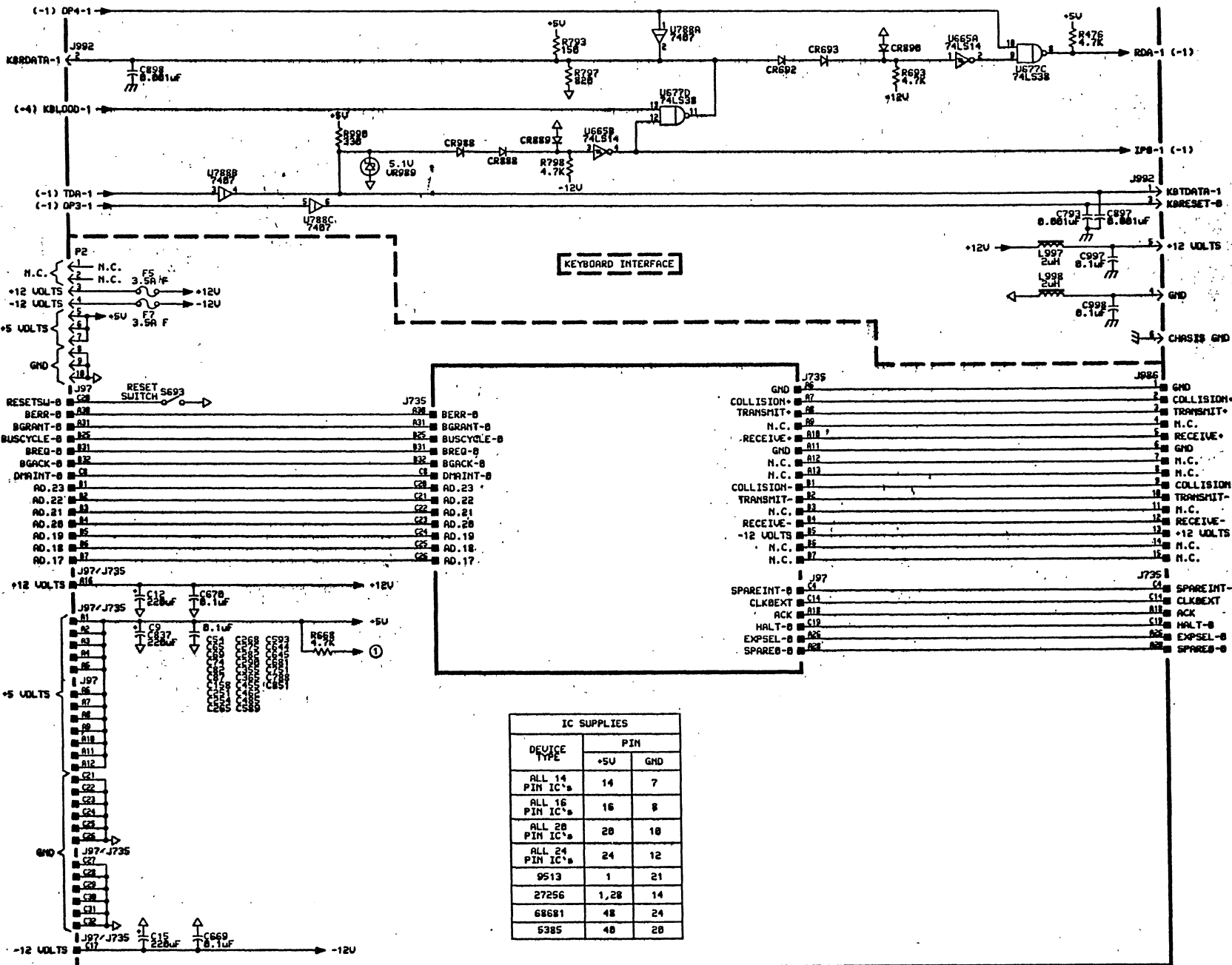
OTHER USES:	
-------------	--

NOTES:	
--------	--

TITLE:	678-8771-00.
I/O BOARD	

ASSEMBLY:	I0-3
SHEET:	3 OF 6





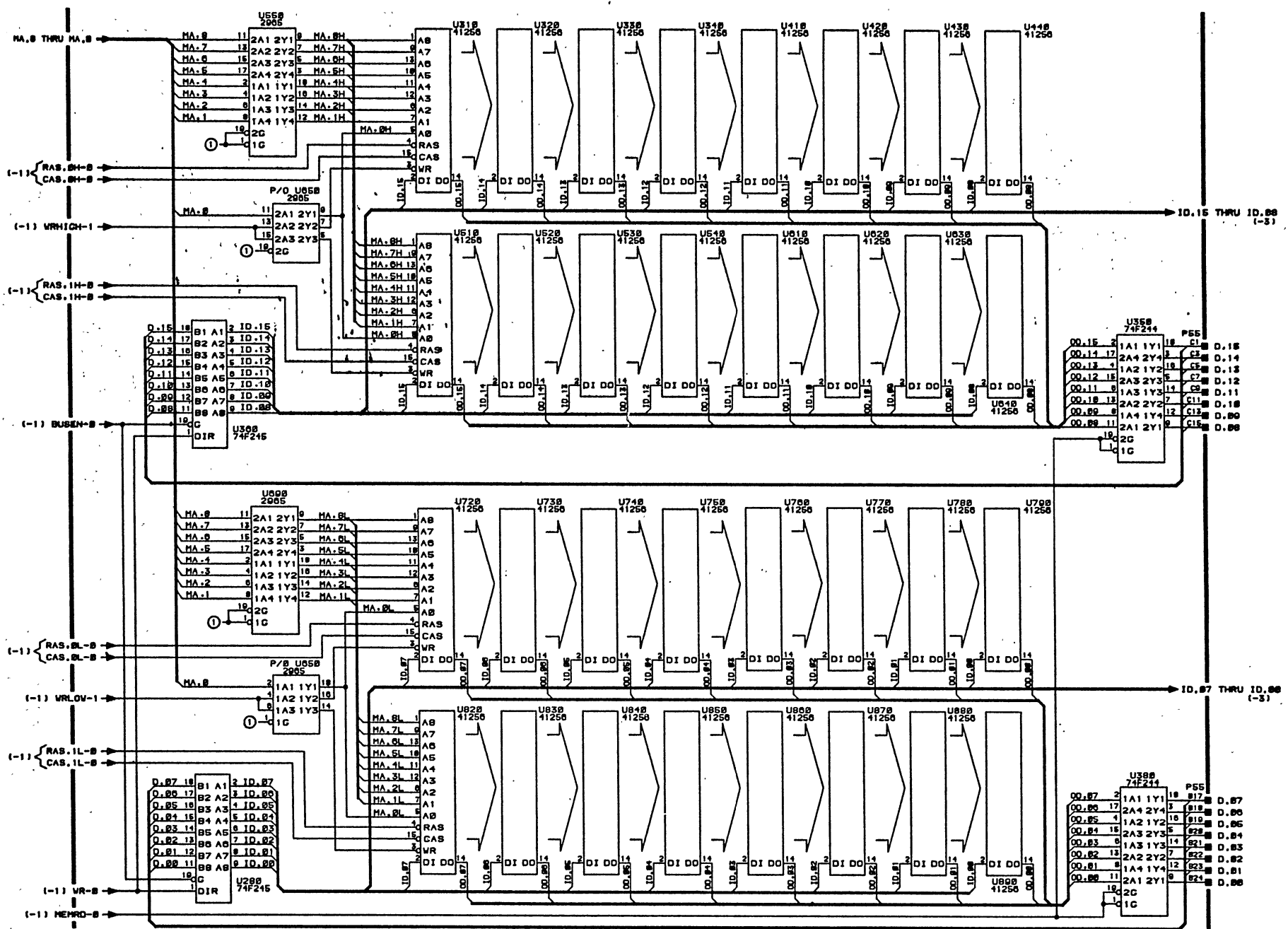
FIRST USE: 4484
 DATE: 7 FEBRUARY 1985
 CONTROL NO.: SDW028.A05

OTHER USES:
 NOTES:

TITLE: 670-8771-00
 I/O BOARD
 TEKTRONIX, INC. © 1984

ASSEMBLY:
 IO-5
 SHEET: 5 OF 5

Tektronix



FIRST USE:	4404	OTHER USES:	
DATE:	10 JANUARY 1985		
CONTROL NO.:	SDA825.A82		

NOTES:

TEKTRONIX, INC. © 1984

TITLE: 670-8773-00

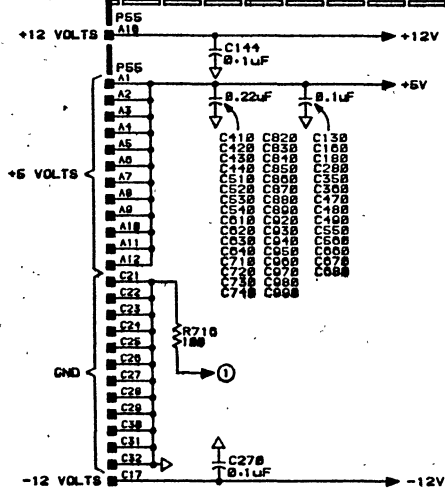
MEMORY EXPANSION BOARD

ASSEMBLY:

MEMEXP-2

SHEET: 2 OF 3

DEBUG PORT OPTION
NOT USED



IC SUPPLIES		
DEVICE TYPE	PIN	
	+5V	GND
74F00	14	7
74LS03		
74F32		
74F04		
74F80		
74LS03		
1480		
74LS101	10	8
74F175		
74F07		
74F500		
41250	8	10
74F244	20	10
74F245		
2085		
10L6A		
HM0110P	24	12
0661	15	1

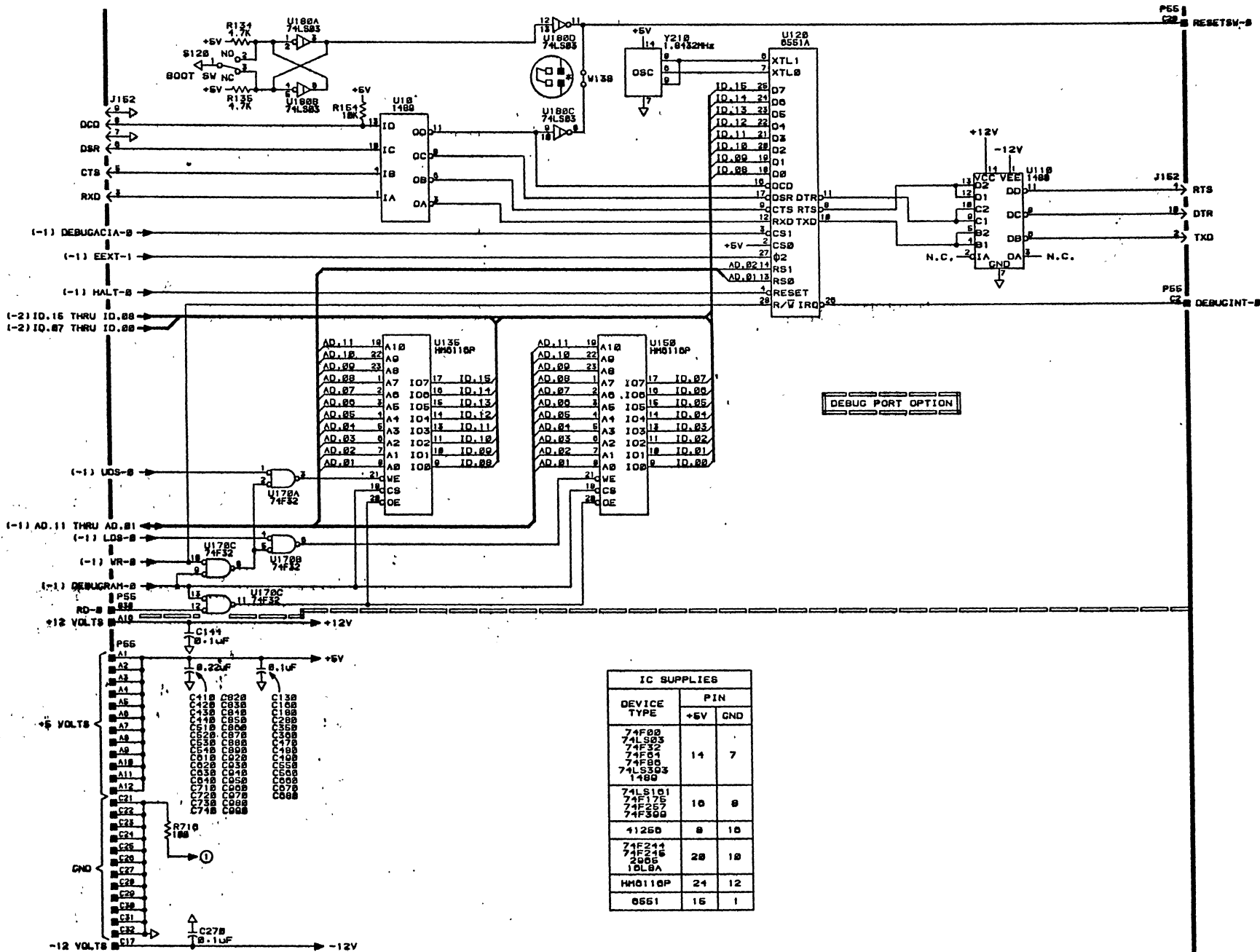
FIRST USE: 4484
DATE: 8 FEBRUARY 1986
CONTROL NO.: 50A825.A83

OTHER USES:
NOTES:

TEKTRONIX, INC. © 1984

TITLE: 070-0773-00
MEMORY EXPANSION BOARD

ASSEMBLY: MEMEXP-3
SHEET: 3 OF 3



FIRST USE: 4484
 DATE: 11 FEBRUARY 1985
 CONTROL NO.: 50A825.A84

OTHER USES:

NOTES: * THIS JUMPER (J130) WAS CHANGED TO A CUTSTRAP

TITLE: 070-8773-00
 MEMORY EXPANSION BOARD

ASSEMBLY: MEMEXP-3
 SHEET: 3 OF 3