

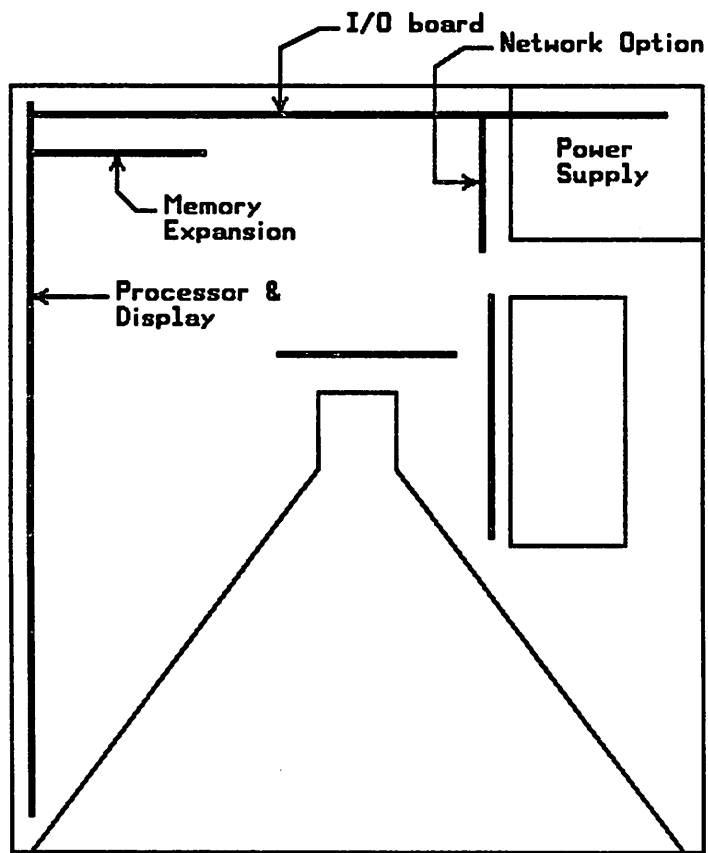
Entry Product Overview

The entry product is a desktop AI computer system priced at less than \$12,000.

Key features include:

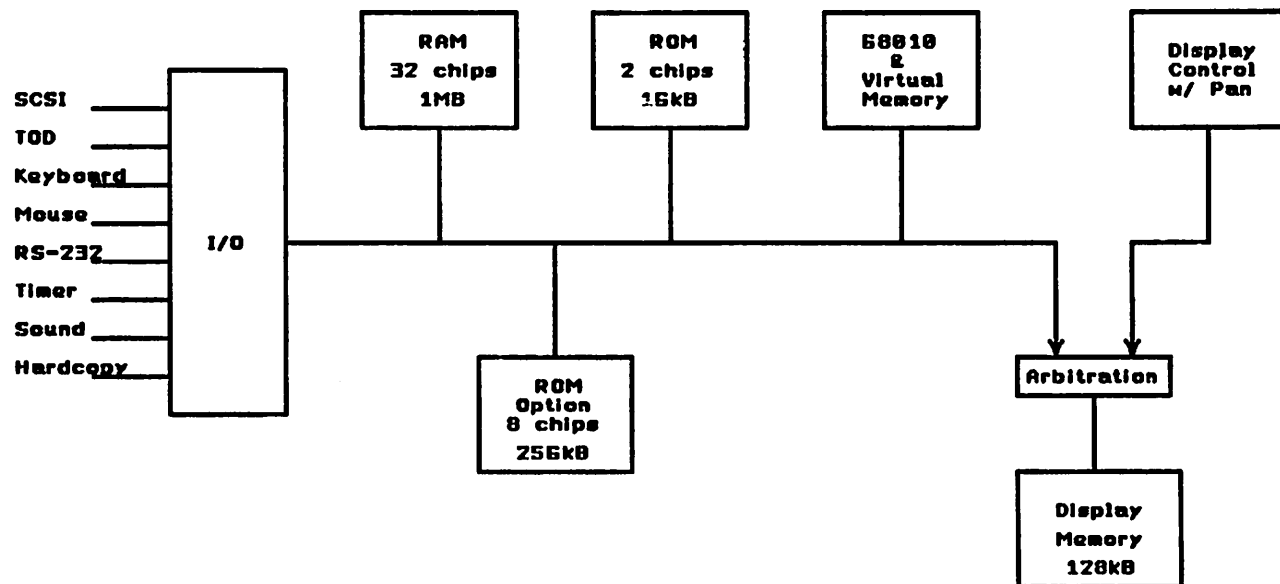
- Programming environments for Smalltalk, Lisp and Prolog.
- High-performance 32-bit processor with one million bytes of memory and virtual memory support.
- Monochrome bit-mapped graphics display.
- Full keyboard and a mouse pointing device.
- Local mass storage utilizing 4926 disk system.
- Communications to host computers and peripheral devices.
- Selected technically-oriented applications.

Shares packaging with the 4105 terminal and is designed to be assembled on the Unicorn production line.




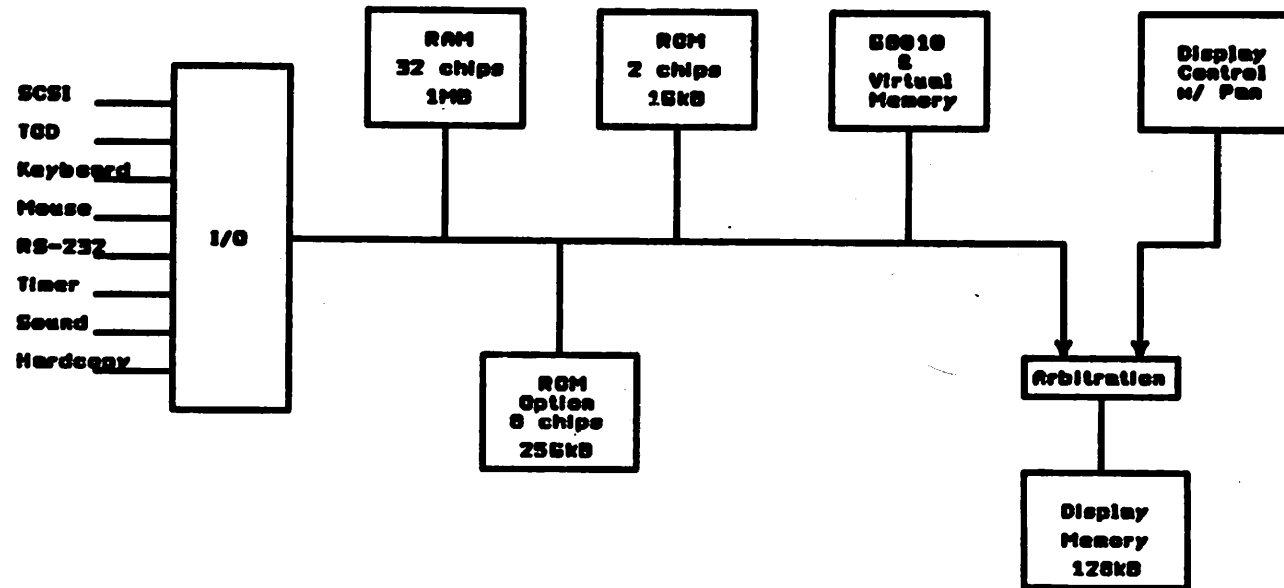
Pegasus

Designer	Chip Schnarel	Pg	1 of 1
File	board layout	Rev	B
		Date	03/22/84
Project	Pegasus		




**Pegasus
Block Diagram**

Designer Chip Schnarel	Pg 2 of 2	
File Pegasus.sil	Rev A	Date 01/27/84
Project		

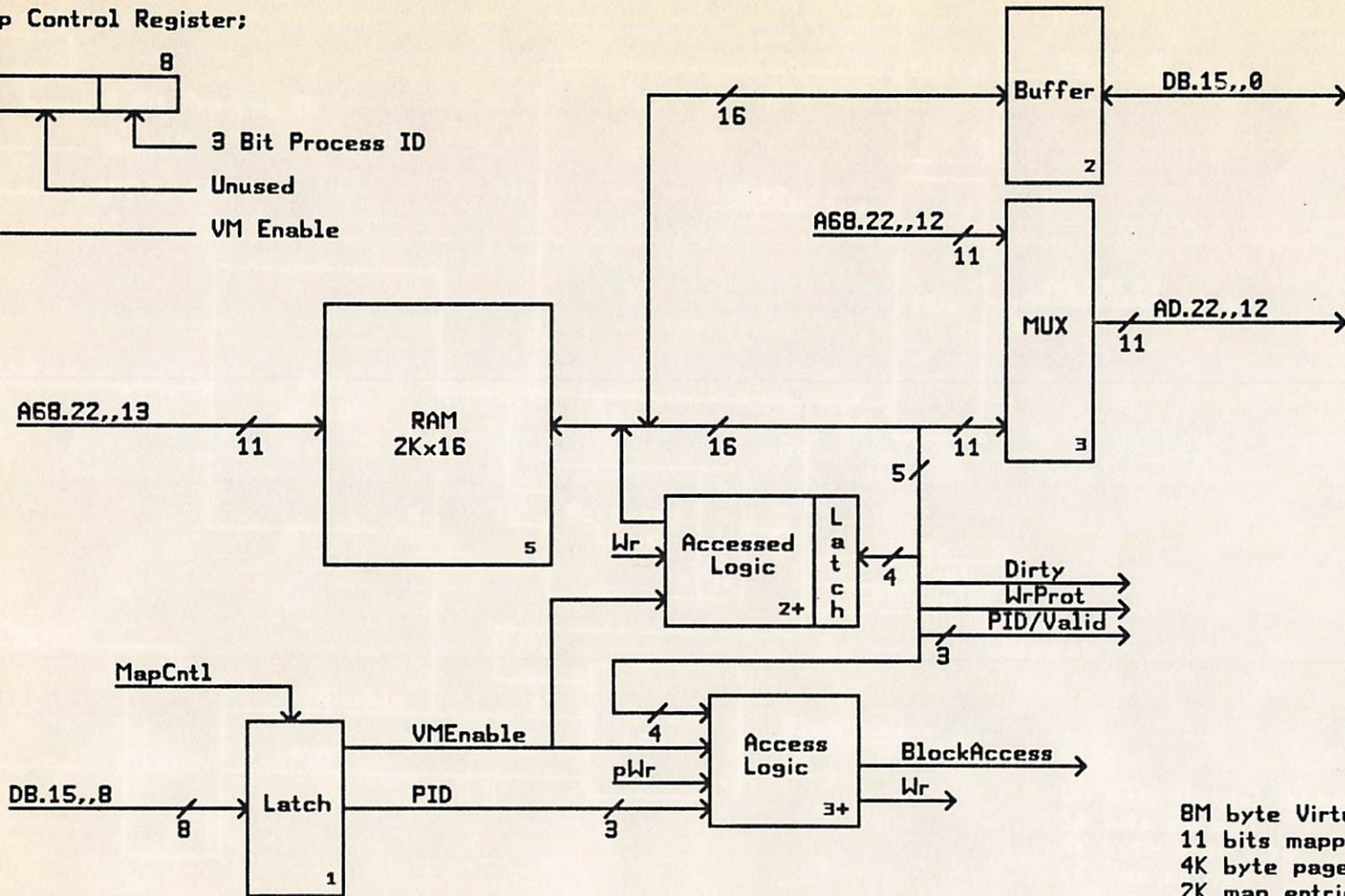
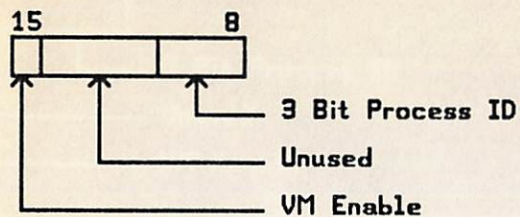


**Pegasus
Block Diagram**

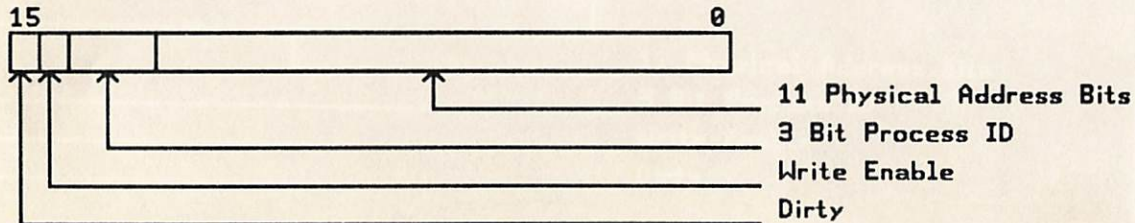
Designer Chip Schnarel		Page 2 of 2
File Pegasus.sil	Rev A	Date 01/27/8
Project		

CONFIDENTIAL

Map Control Register:



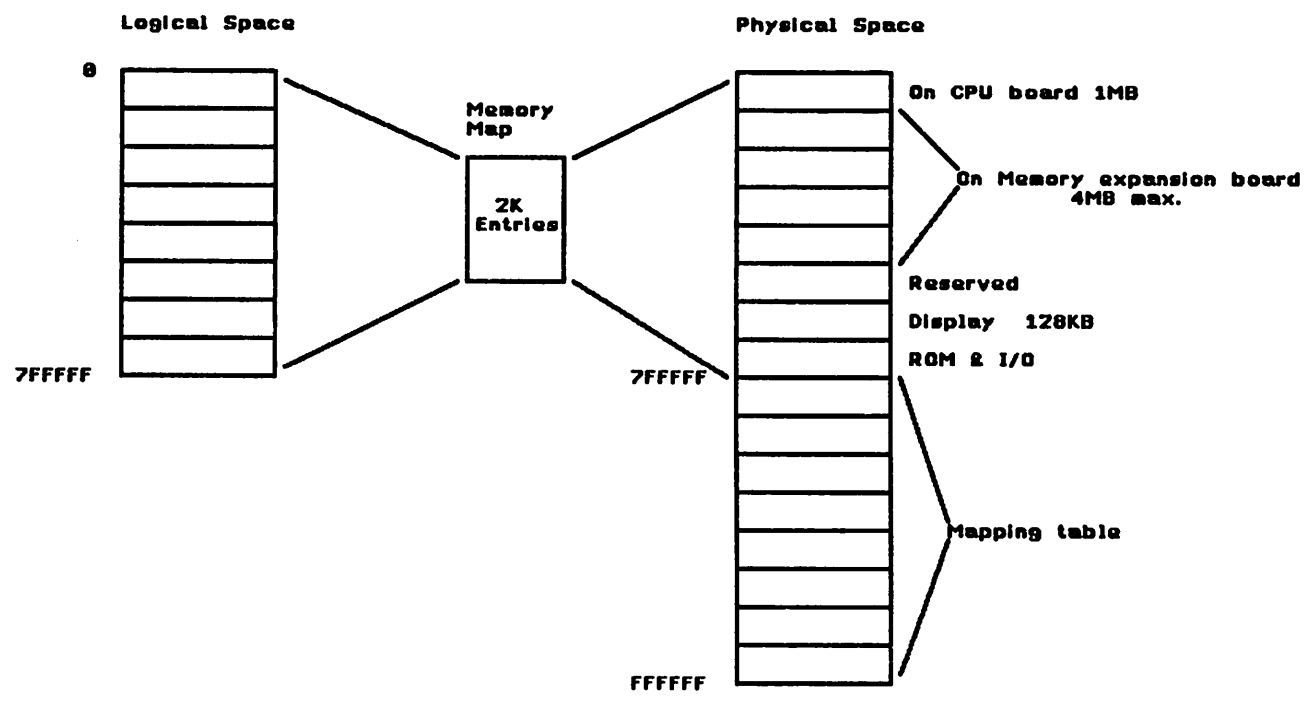
Page Table Entry:



8M byte Virtual Address space
 11 bits mapped
 4K byte page size
 2K map entries
 Dirty, Write Protect, PID/Valid
 11 Physical Address bits
 Supervisor unmapped
 8M byte Physical Address space
 (peripherals mapped)
 No wait states

Designer Chip Schnarel		Pg 1 of 1
File VMDiagram.sil	Rev A	Date 03/16/84
Project Smalltalk Desktop Prototype		

22 21 20 19 18 17 16 15 14 13 12 11 10 09 08 07 06 05 04 03 02 01 00																						
mapped										straight through										U		
bank	Column Address										b	Row Address										L



Memory Address Space Allocation

Designer Chip Schnarel		Pg 3 of 21
File cpu.sil.3	Rev B	Date 11/08/83
Project Smalltalk Desktop Prototype		