

System Monitor Board II

User's Manual

**Manual Revision 0
Sept. 26, 1979**

**Computer Design Labs
342 Columbus Ave.
Trenton, N. J. 08629**

Copyright (c) 1979 by Computer Design Labs

Table of Contents

	Page #
I. Introduction.....	1
II. Features.....	2
III. Overlay Drawing.....	3
IV. User Guide.....	4
A. Switch Settings.....	4
1. I/O Default Switch (SW1).....	4
2. Jump Address Switch (SW2).....	4
3. Cassette Options & Protect Switches (SW3).....	5
B. VDB Set Up.....	6
C. Baud Rate Selection.....	6
D. Memory Addressing.....	7
E. ROM & ROM Options.....	10
F. RAM.....	11
G. Extended Memory Addressing Options.....	11
H. I/O Port Addressing.....	11
I. I/O Byte (Second Parallel Port) J2.....	12
J. TTY 20ma/EIA Option.....	12
K. Vectored Interrupt Options.....	12

L.	Wait State Options & MWRITE Generation.....	13
M.	SMEMR Clamp.....	13
N.	Audio Cassette Connector.....	13
O.	Ribbon Cable Connector (J1).....	14
	1. Connection of Ribbon Cable.....	15-18
V.	Functional Description of SMB2.....	19
	A. Introduction.....	19
	B. Bus Interface.....	19
	C. ROM/EPROM Memories.....	20
	D. Static RAM.....	21
	E. Parallel Port.....	21
	F. Serial Ports.....	21
	G. Cassette Interface.....	22
	H. Jump On Reset and Sense Switches.....	23
VI.	Software Documentation & Listings.....	25
	A. 1K Extension ROM.....	25
	1. TDL VDB Driver Software.....	25
	2. Buffered Cassette Routine.....	25-28
	3. 2708 Programmer Software	
	4. Extended User-defined Commands	
	5. Current Assignment Display	
	B. Cassette Interface	
	C. Extension Routines for SMB2	

VII. Parts List

VIII. Schematics

I. Introduction

The System Monitor Board, SMB2, is designed to be used with the Technical Design Labs Z-80 CPU board (the ZPU) or any other compatible Z-80 CPU which operates in the S-100 bus.

The SMB2 is a ROM/RAM/I-O cassette board. It has space for 3 ROM's and 2K of RAM. There are 2 serial ports with EIA Interface (1 optional 20ma), and CDL's audio cassette interface. The SMB2 also contains the circuitry necessary to cause the processor to Jump to any 256 byte boundary on RESET, to generate the MWRITE signal on bus pin 68 in those mainframes that lack this circuitry, and a wait state circuit that will allow TDL's ZPU to access it's memory at 4Mhz. There are jumper options which will allow the user to change (within reason) the memory and I/O addresses that the SMB2 will decode. One ROM socket is set up for a 2K masked ROM (Zapple) and can be changed to work with a 2716. The other 2 ROM sockets are set up for 2708's and may be changed to work with 2716's. To put more than 5K of ROM on the board is possible but not recommended.

II. Features

Supports 2-2708 EPROMs, 1 included

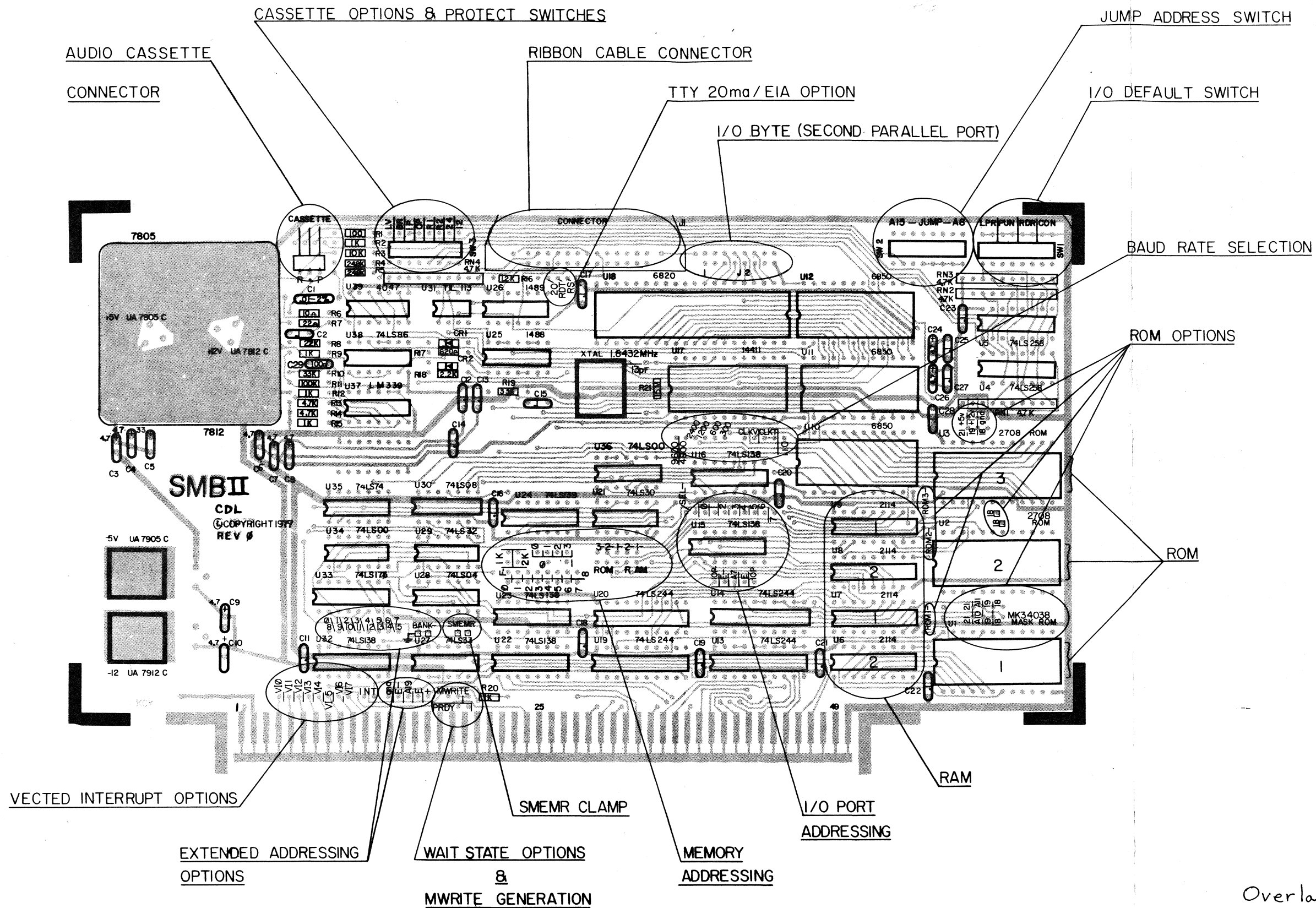
Regulators on all supply voltages

More reliable cassette

1200/2400 baud cassette operation

Jump to any page in memory on Reset

Expanded Zapple Monitor, with VDB driver



Overlay Drawing SMBII

Copyright 1979 by CDL

IV. User Guide

In the following sections please refer to the overlay drawing on the preceding page, which shows the areas being discussed. Before plugging the board into your system, the following considerations must be observed to achieve any degree of success.

A. Switch Settings

1. I/O Default Switch (SW1)

This switch is accessible to the computer by inputting from either ports 7A or 7B hex. The remainder of this text will discuss the switch as used by the Zapple Monitor program.

The I/O switch on the SMB2 is shipped set to the TTY. This setting configuration is all toggle switches OFF (bottom part of switch depressed). The 4 logical devices (i.e. LPR-lineprinter, PUN-punch, RDR-reader, CON-console) are assigned as the TTY.

If you want to configure your system for Video <CRT>, the switch configuration would be 01000001. Toggle switch positions, going from left to right, 2 and 8 should be toggled ON (top part of switch depressed). (Note this switch is installed right side up with S1 on the LEFT and S8 on the RIGHT).

If you want to configure your system for the VDB, see Section B. on VDB Set Up.

Please note that assignment of the I/O device to one of the logical devices as is done by the 8-bit dip switch can also be accomplished under software control by using the ASSIGN command of the monitor's operating system. See the Zapple Monitor manual.

2. Jump Address Switch (SW2)

Upon a RESET of the system a jump to any 256 byte boundary in memory will occur depending on the switch settings of SW2. The SMB2 is set to jump to F000, which is the location of the Zapple Monitor. The setting configuration for SW2 is 11110000, which means the four left-most toggle switches are toggled ON (top part of switch pushed in).

You may set this switch to any 256 byte location. For example, if you wanted to have your system RESET to jump to the location at which BASIC resides, say at 0C000H, SW2 should be toggled in as follows: 11000000.

If you wish to disable the jump, just set the switch for 0000 : 00000000 (All bottom buttons pushed in).

3. Cassette Options & Protect Switches (SW3)

The left-most position (S1) labeled "LV" stands for level and should be toggled ON. S1 controls the level of the signal sent to the tape recorder. If you are using a microphone (MIC) input, then the signal should be low, and the bottom button of S1 should be pushed in (OFF). If you are using the auxiliary (AUX) input, then the signal should be high, and the top button of S1 should be pushed in (ON).

The next position (S2) labeled "BR" for baud rate should be OFF. The next two positions, S3 and S4, labeled "IP" and "OP" stand for Input Polarity and Output Polarity respectively. S3 labeled "IP" causes the data coming into the interface to be inverted. S4 causes an inversion of the data sent to the cassette, and should be adjusted so as to allow the writing of a standard cassette. Once you have adjusted S3 to allow the playback of TDL pre-recorded tapes, then adjust S4 so that the tapes that you record can be played back without changing S3. If you change tape recorders, you may have to go through the procedure again. If a particular cassette recorder has an odd number of inverting audio stages in its input circuit, the data recorded on the tape will be inverted. If the number of inverting audio stages in its output is odd, the data will appear inverted from what was recorded on the tape. Thus two conditions exist. One in which the data is either inverted or not on RECORD. And the other in which the data is either inverted or not on PLAYBACK. When recording a tape and playing it back on the same unit, it is a simple matter to determine the position of the invert switch. It will be the same for all such recordings. However, when playing back tapes recorded on another unit, the switch should be tried in the opposite position if the recording unit did not have the same inversion as yours. Trial and error will find the correct setting quickly.

Switches labeled "R1" and "R2" protect RAM memory. "R1" protects RAM1 and "R2" protects RAM2. Depressing the top half of the toggle switches positions S5 and S6, unprotects the RAM memory while depressing the bottom half causes it to be protected. Both RAM segments should be unprotected so it can be written into as well as read from.

The remaining toggle switches labeled "24" and "12" are for the baud rate the cassette is running under. Depress the top half of the switch designating the correct baud rate. The default setting is 1200 baud.

TDL tapes are recorded at 1200 baud. Remember that turning on both switches at the same time will upset the baud rate generator and may prevent the proper operation of the 2 serial ports.

B. VDB Set Up

The VDB driver may be used as both the "LIST" device (AL=U) or as the console output. When used as console output, the parallel port on the VDB becomes the console input. This assumes that the user has a parallel keyboard hooked up to the VDB (as per the VDB manual), and a CRT hooked to the Video output of the VDB. You are able to initialize the system using the aforementioned configuration by setting the "LIST" device to "USER" on the I/O initialization switches (SW1), and setting the console switches to "BATCH" mode. Providing that both conditions have been set-up, the system will sign-on to the VDB. Note, you must have the R2 Ram protect switch in the unprotect mode (i.e. top button pushed in.)

Normal Batch operation has been preserved, providing that the "LIST" device is not set to "USER" on the I/O initialization switches. Once Zapple has signed on, you may re-define the List device to something other than USER with no ill effects. It is the setting of the I/O initialization switches (port 7AH), not the I/O Byte (port 76H) that determines the VDB as the console. Note that the I/O Byte is modified after sign-on to reflect that the console is the USER, and not the Batch mode. (See table below)

For a better understanding, see the software listings of the 1K Extension ROM.

I/O Init. Switch	Operation
11xxxxl0	VDB=CONSOLE
00xxxxl0	Batch Mode (READER=CONSOLE)
01xxxxl0	" " " "
10xxxxl0	" " " "
xxxxxx00	TTY=CONSOLE
xxxxxx01	<u>CRT=CONSOLE</u> initial setup by Steve
xxxxxxl1	USER DEFINED CONSOLE

C. Baud Rate Selection

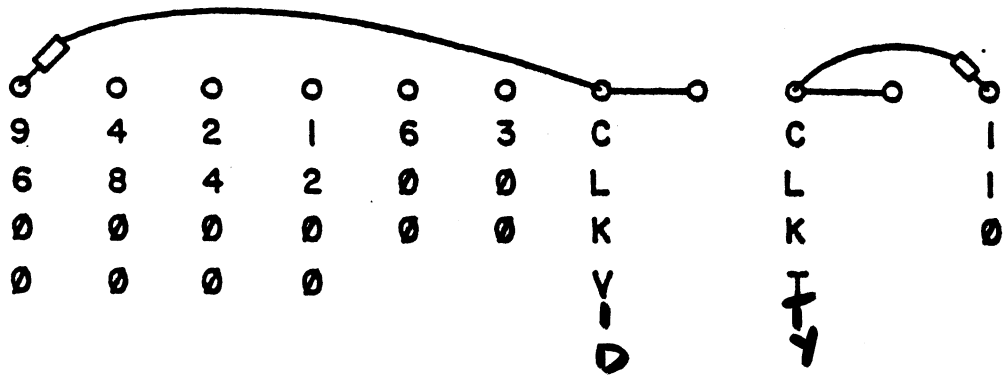
Depending on the particular device you are using, a baud rate must be set. For a TTY (Teletype), (designated CLKT on the silk screen), running at 110 baud, connect a jumper between CLKT terminal and 110

baud rate terminal. See the overlay drawing labeled BAUD RATE SELECTION to determine location of jumpers. For Video <CRT> use at 9600 baud connect a jumper between CLKV terminal and 9600 baud rate pin designation. The TTY at 110 and Video at 9600 baud are the default settings. The available baud rates are labeled from left to right 9600, 4800, 2400, 1200, 600, 300 and 110. See the diagram below.

9600
baud

CLK T = 9600
CLK V = 1200

BAUD RATE JUMPERS



STANDARD CONFIGURATION

D. Memory Addressing

The SMB2 standard memory addressing is configured for a 1K RAM, 2K Zapple ROM and 1K Extension EPROM system. In the standard factory configuration the jumpers are connected so ROM 1 is Zapple at 0F000H - 0F7FFH, ROM 2 is 1K Extension at 0F800H - 0FBFFH and RAM 2 at 0FC00H - 0FFFFH.

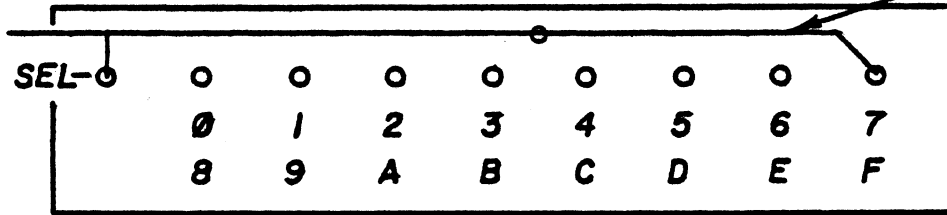
1. I/O Set Up

The board is supplied at the TDL standard I/O block 70H. This may be altered if desired to allow more than one SMB2 in the system at the same time. Remember, however, that the 2K Masked ROM program was designed to use ONLY the 70H I/O block and execute at F000H.

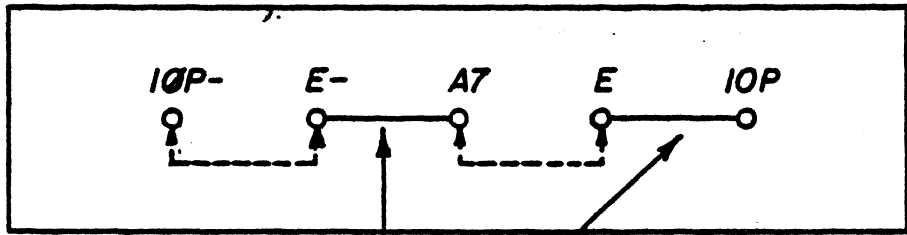
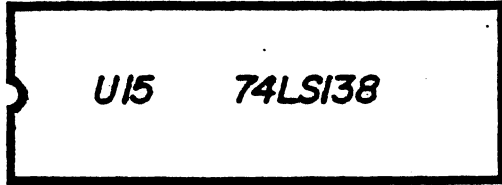
The 4K Memory Address Decoder, 74LS138's, designated U22 and U23 together form a 4-bit decoder which decodes 1 of the 16 4-K blocks in the machine by looking at address bits A12 through A15. This circuit also has a possible input from the Extended Memory Circuitry. The 74LS139 chip, a dual 2-bit decoder, designated by U24, performs a 2K select and a 1K select. The 1K Decoder looks at Bits 10 and 11 and selects 1K block addresses which yield 4 possible combinations. The 2K Decoder looks at Bit 11 and selects 2K block addresses which yield 2 possible combinations. Please study the diagram on the next page.

I/O SET UP

FACTORY JUMPERED for I/O BLOCK at 70H



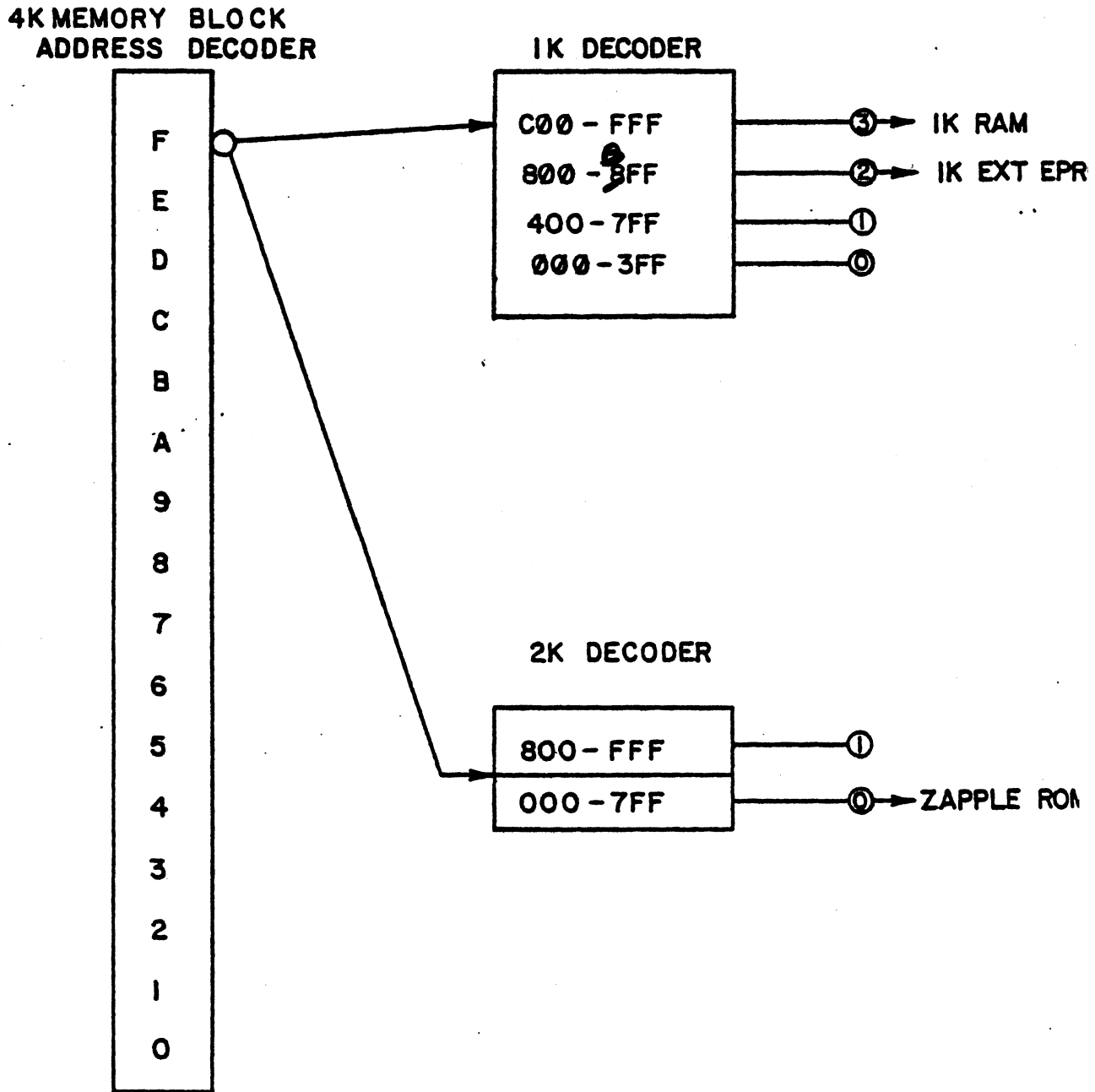
Cut to change
Then jumper
from SEL-
to desired
pin.



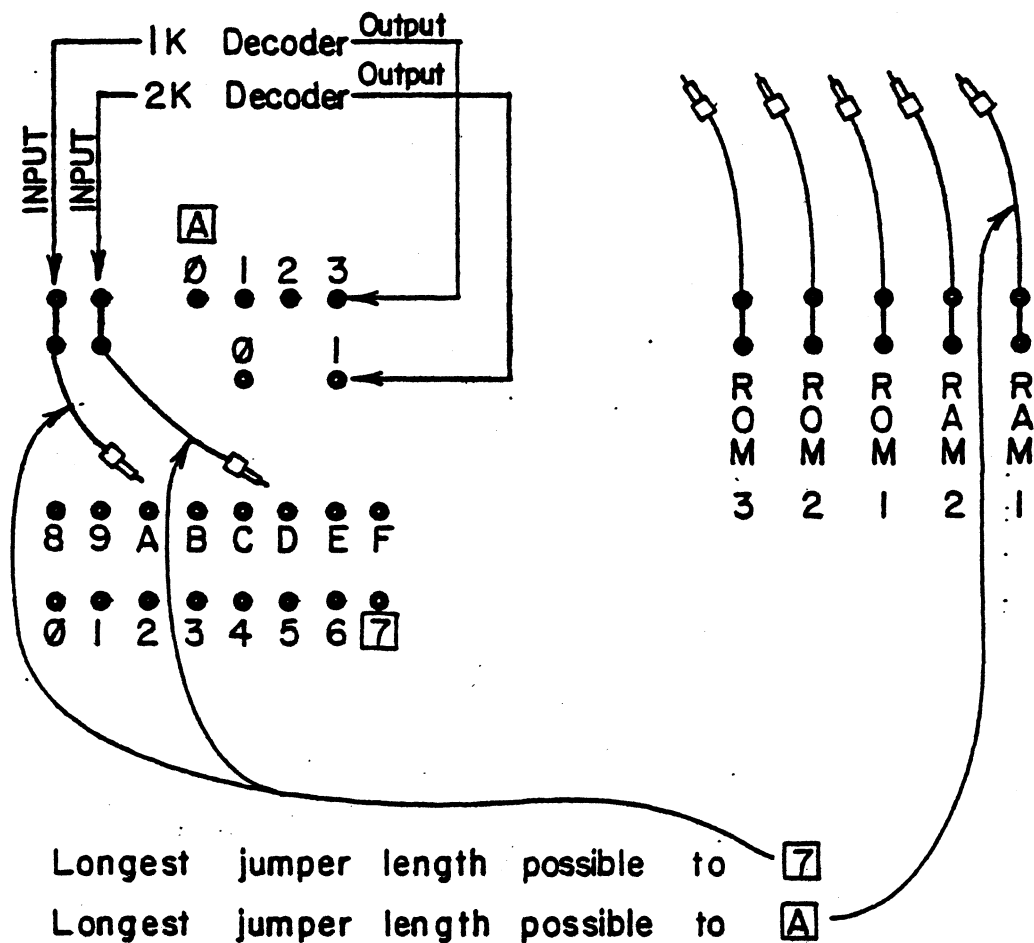
Cut and jumper
(as shown by dotted line)
to make I/O Block
8 → F

The following pages show the available jumpers, the Standard Jumper Configuration and a Memory Map describing the system's boundaries, plus two examples of other jumper configurations.

DECODING

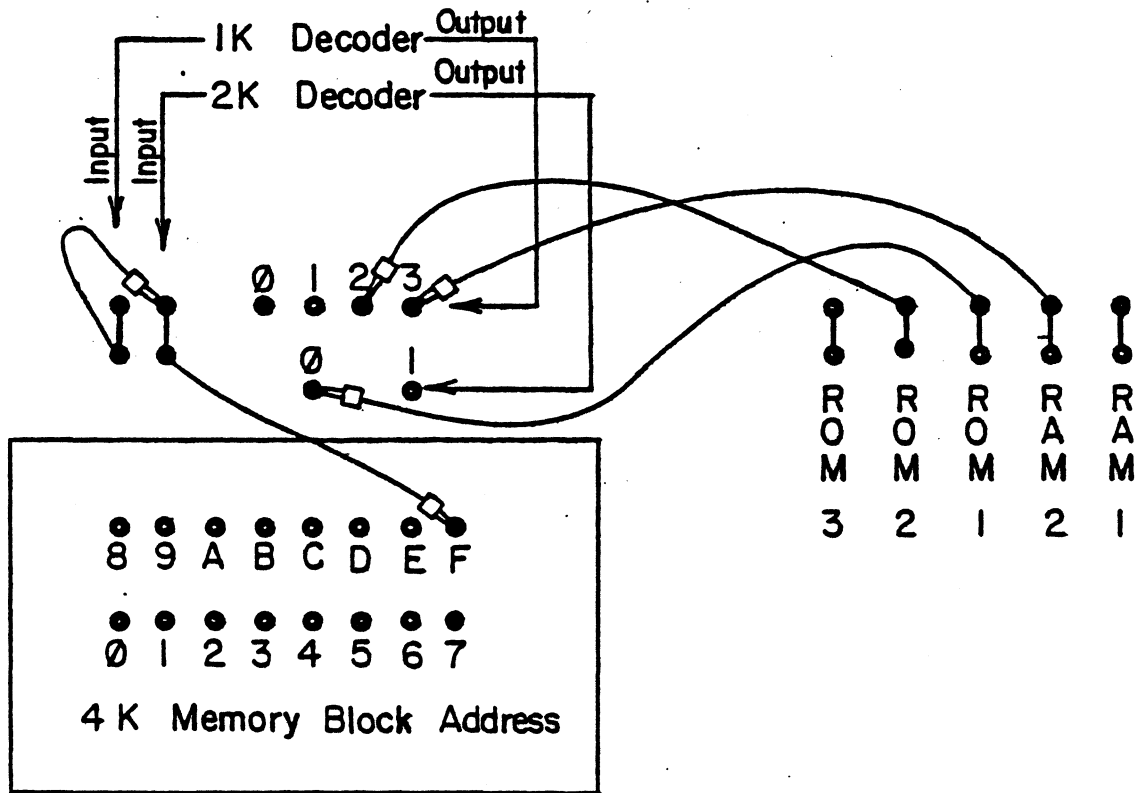


Available Jumper Configurations



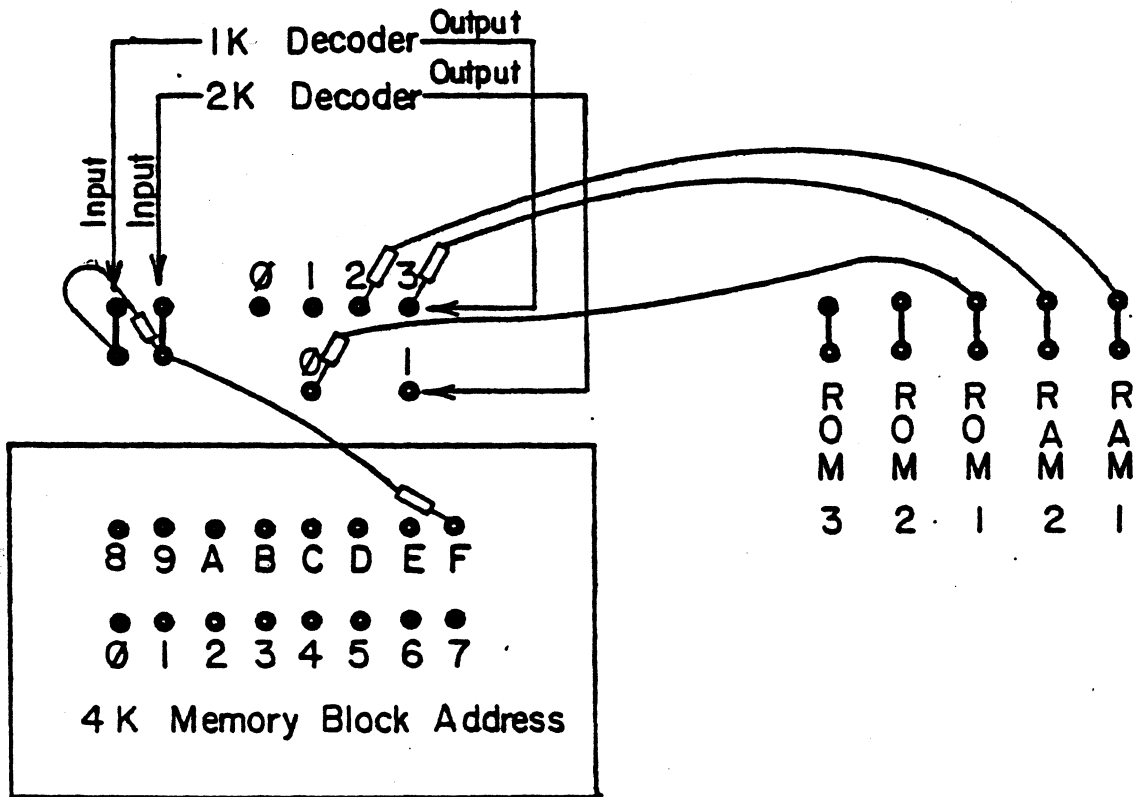
- RAM 1 is 1K RAM U7 + U9
- RAM 2 is 1K RAM U6 + U8
- ROM 1 is 2K ZAPPLE Rom U1
- ROM 2 is 1K Extension EPROM U2
- ROM 3 is 1K Extension EPROM U3

Standard Jumper Configurations



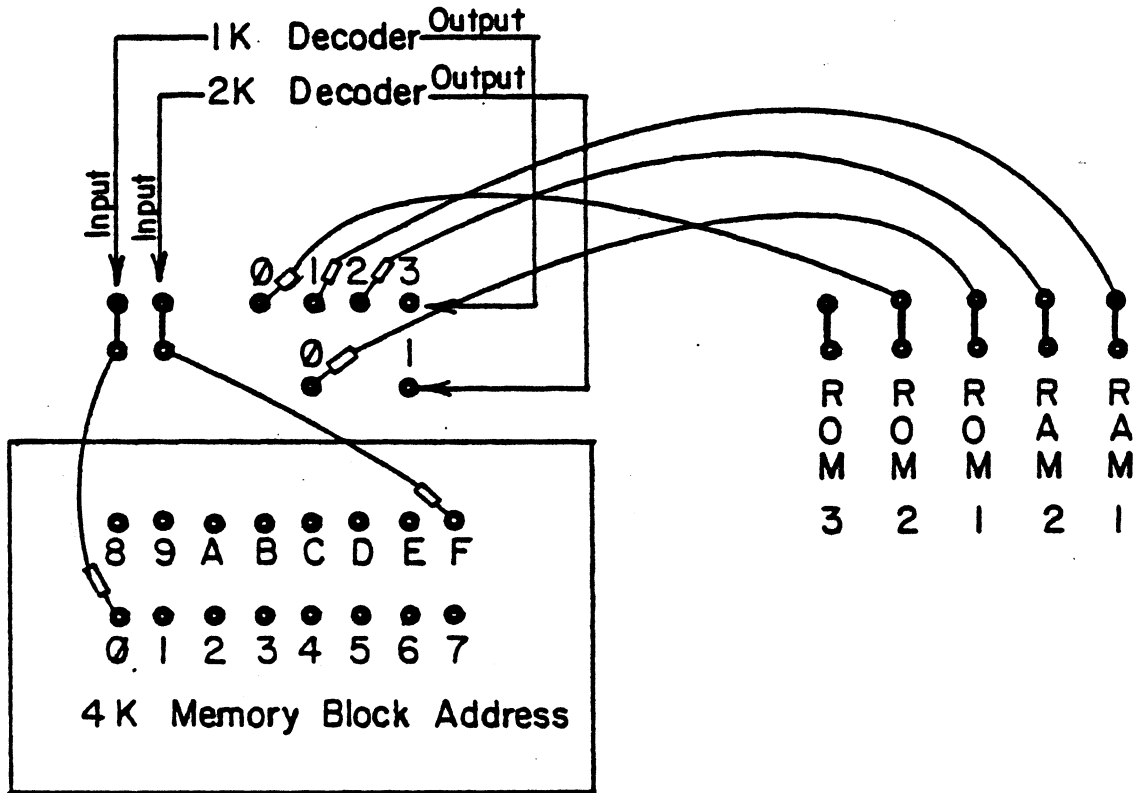
RAM 2 is RAM at $0FC00H - 0FFFFH$.
 ROM 1 is ZAPPLE at $0F000H - 0F7FFH$.
 ROM 2 is 1K Extension at $0F800H - 0FBFFH$.

Example A Jumper Configurations



RAM 1 is RAM at 0F800H-0FBFFH
 RAM 2 is RAM at 0FC00H-0FFFFH
 ROM 1 is ZAPPLE at 0F000H-0F7FFH

Example B Jumper Configurations



RAM 1 is RAM at 0400H-07FFH

RAM 2 is RAM at 0800H-0BFFH

ROM 1 is ZAPPLE at 0F000H-0F7FFH

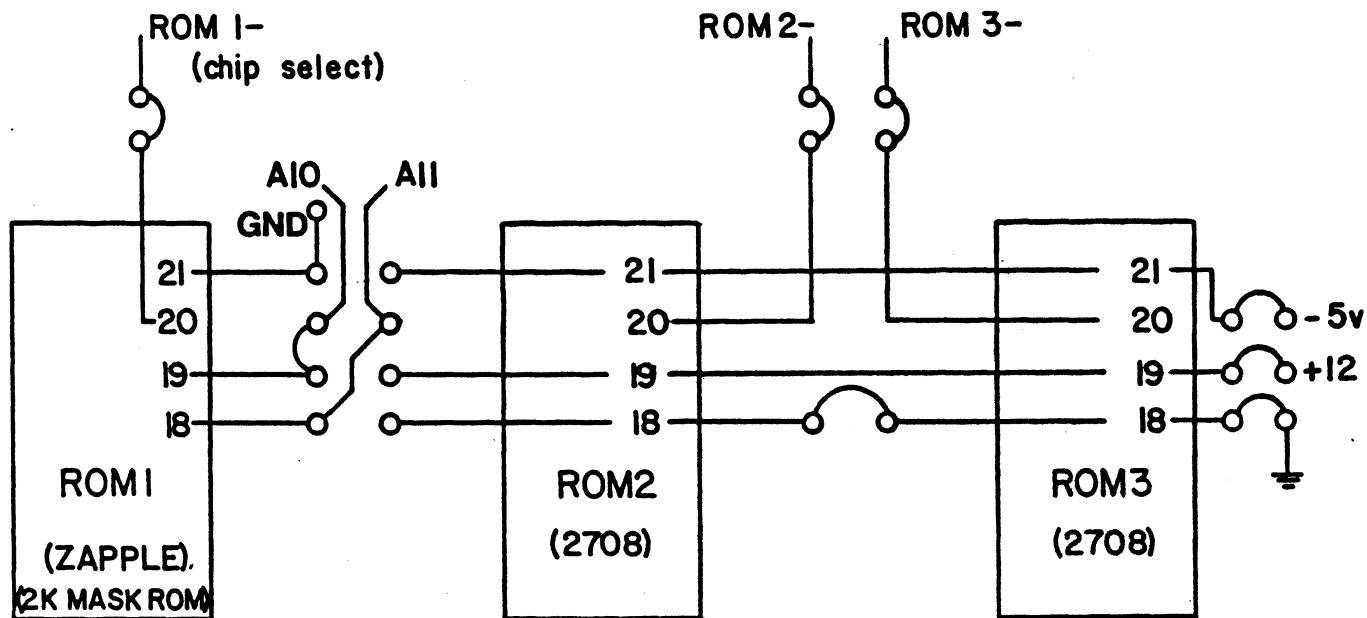
ROM 2 is ROM at 0000H-03FFH

E. ROM and ROM Options

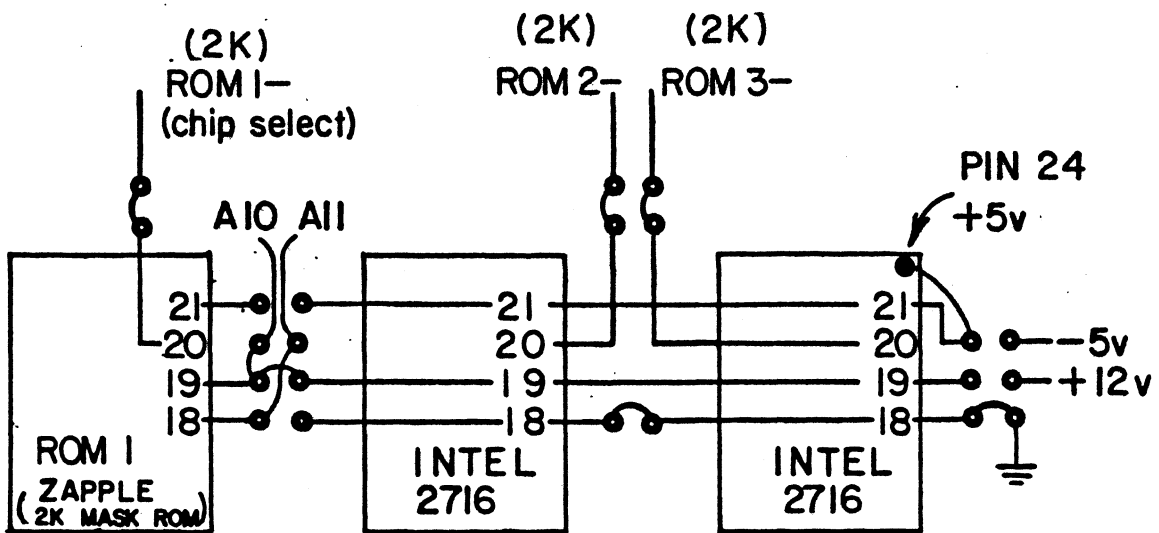
The SMB2 is factory shipped with 2K Zapple ROM and 1K Extension EPROM. The chips used are a MOSTEK MK34038N or equivalent Mask ROM in U1 socket position on the board (ROM1) and an INTEL 2708 UV erasable 1024x8 ROM in U2 socket position on the board (ROM2). The MK34038 is a 16K bit, 2K byte ROM which contains the Zapple Monitor. ROM sockets 2 and 3 are configured to accept either a 2708, (1Kx8) or a 2716 (2Kx8) ROM.

The ROM option jumpers allow a user to configure any or all 3 sockets for 2716 EPROMs. A 2716 is a 16K bit, 2K byte EPROM. The ROM options involved when inserting 2716 chips deal with jumpering pins 18, 19, 20 and 21 to agree with their specific requirements. Please note that there are marked differences when inserting an INTEL 2716 and a TI2716. The voltages are different and if not jumpered correctly may cause the destruction of the chip.

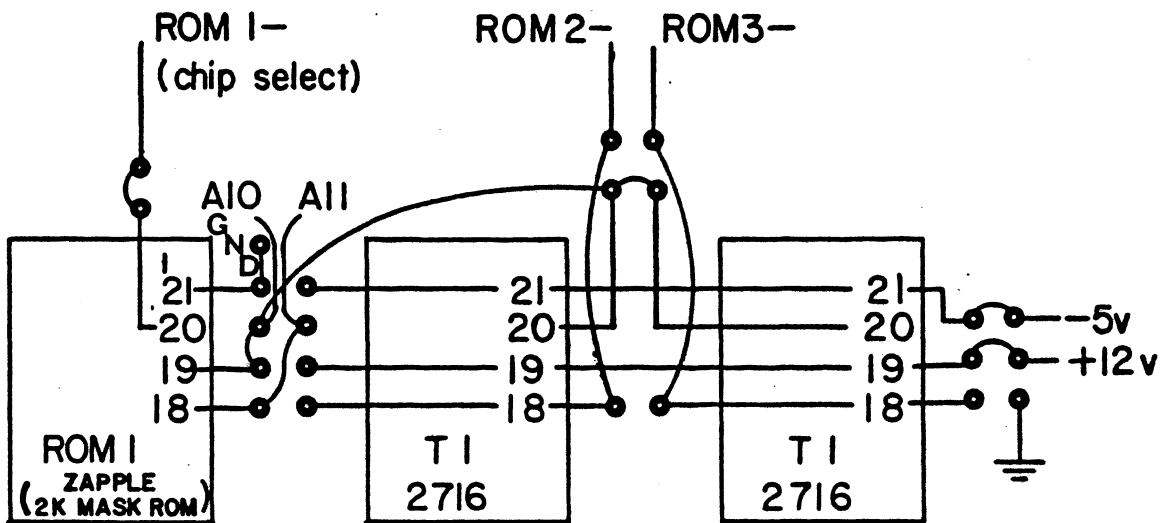
The figures diagrammed for you on the following pages show the standard jumper configuration, and the jumpers needed to convert your board to use with two INTEL 2716 chips and TI2716 chips respectively. Note that traces have to be cut from the standard configuration to allow 2716 usage.



Jumpers as shown are standard configuration



Jumpers as shown are configured for use with two INTEL 2716 EPROMS.
 (require 2K address select CS-)



Jumpers as shown are configured for use with two TI 2716 EPROMS
 (require 2K address select CS-)

F. RAM

RAM is provided in socket positions U6 and U8 by 2 INTEL 2114s. RAM occupies 1K of memory from OFCOOH to OFFFFH. The first section includes Extended User Jump Vectors, the next section includes the VDB Scroll buffer, followed by the Buffered Cassette Buffers. The area from OFD80H to OFFFFH is reserved for the user as workspace. (See Standard Memory Map diagram in section D.) Memory Addressing shows RAM and its reference to the system. (See software listings contained elsewhere in this manual).

G. Extended Memory Addressing Options

The SMB2, when enabled decodes extended memory addresses, lines A16-A19. If these lines are not used in the system, the BANK select jumper is connected to ground (GND), as it is per the factory. The Extended Memory Addressing Option will be further developed with the introduction of forthcoming TDL products.

H. I/O Port Addressing

U18 on the SMB2 is a Motorola or equivalent 6820 PIA (Peripheral Interface Adapter) that contains two parallel I/O ports. One of these is used by the operating system to specify the I/O device currently being used.

Port Assignments

The devices are assigned to ports on the System Monitor Card in the following manner:

DEVICE	STATUS/CONTROL	DATA
Teletype (serial)	70	71
Video/CRT(serial)	72	73
Cassette	74	75
Parallel Port (User)	79	78
I/O Byte	77*	76*
Sense Switch	7A	7B
Unused	7C, 7D, 7E, 7F	

* Note: Ports 76 and 77 are used internally for operation of the monitor.

The Motorola Data Sheets are included in APPENDIX

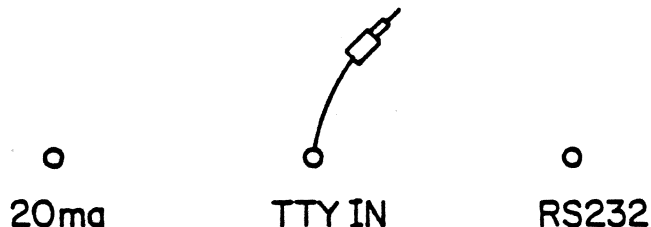
the MC6820 chip. Also see I/O Set Up in section D.

I. I/O Byte (Second Parallel Port)

The I/O Byte (second parallel port) is used by Zapple for the storage of the I/O Byte and thus is not available to the user as a second parallel port. If the user were to remove the Zapple ROM chip and create his own monitor, the second parallel port would, of course, be available to him for whatever he desires. As an input port, a keyboard, high speed paper tape reader, or other device can be used. As an output port, a high speed paper tape punch, line printer, etc. can be used. In order to use it, however, it must be set up with the proper software.

J. TTY 20ma/EIA Option

Your TTY runs at either 20ma Current Loop or at RS232. A jumper is provided on the SMB2 and must be set before your board will operate. Observe the drawing below:



K. Vectored Interrupt Options

The SMB2 generates interrupts from the PIA and 3 ACIAs. These interrupts are buffered and may be connected to any of the 8 interrupt lines. However, note that the masked ROM Zapple does not use interrupts for its operation.

L. Wait State Options and MWRITE Generation

The SMB2 can cause single wait states to any cycle if the PRDY jumper is installed. The Wait State is necessary if the system is running at 4Mhz.

The board generates the MWRITE signal equal to PWR.SOUT- and drives it with a buffered driver. This connection should be included if MWRITE is not generated elsewhere in the system. (Usually a front-panel generated signal.)

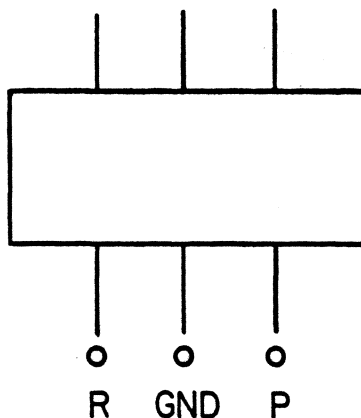
M. SMEMR Clamp

The SMEMR clamp must be included for the Jump On Reset. It is factory jumpered as standard.

Note: If used with the original TDL ZPU board, pin 15 of U33 (74LS175) must be bent out of its socket pin. This is required because PSYNC is high before a RESET is released.

N. Audio Cassette Connector

The SMB2 provides a cassette connector, plus a plug adaptor. See the diagram below:



R stands for Record (write).

0. Ribbon Cable Connector

If you have already purchased the Interface One, the ribbon cable is properly terminated on the back of the mainframe. (see the diagram of connector.) If not you must attach the twenty six (26) wires in the ribbon cable to their proper destinations. The pin assignments for the SMB2 connector are as follows:

Pin Signal

1	TTY CTS (Clear to Send)
2	Video CTS (Clear to Send)
3	CAS RTS (Request to Send)
4	B Output Pulse
5	TTY RTS (Request to Send)
6	Not Used <i>GROUND?</i>
7	Video RTS (Request to Send)
8	TTY 20 MA Out
9	Video RS232 Out
10	TTY 20 MA In
11	TTY RS232 Out
12	Not Used <i>5V</i>
13	TTY RS232 In
14	-12 Volts
15	Video RS232 In
16	GND (Ground)
17	PIA Handshake CB2
18	PIA Handshake CB1
19	PIA Data PB7
20	PIA Data PB6
21	PIA Data PB5
22	PIA Data PB4
23	PIA Data PB3
24	PIA Data PB2
25	PIA Data PB1
26	PIA Data PB0

1. Connection of Ribbon Cable

TTY RS232:

Using the standard EIA 25 pin connector which should be wired to the proper places on the TTY, the following connections should be made:

TTY (DB25)	SMB (J1)*
1 Frame Ground	16 Ground
2 Transmit →	13 TTY Input RS232
3 Receive ←	11 TTY Output RS232
4 Request to Send	10 TTY 20ma IN
5 Clear to Send	14 minus (-) 12 volts
6 Data Set Ready	8 TTY 20ma OUT
7 Signal Ground	* J1 on the SMB is the blue
8 Rec'd Line Detect	Ansley ribbon cable connector
20 Data Terminal Ready	at the top middle of the board.

TTY RS232 Checklist:

Make the following connections on the 25 pin RS232 connector (DB25) going to your TTY.

- (✓) Connect a jumper between pin 4, Request to Send, and pin 5, Clear to Send.
- () Connect a jumper between pin 6, Data Set Ready, pin 8, Received Line Signal Detect, and pin 20, Data Terminal Ready.
- () Connect a jumper between pin 1, Frame Ground, and pin 7, Signal Ground.

Make the following connections on the SMB's J1-- the blue Ansley ribbon cable connector at the top right of the board.

- () Connect 20ma/EIA option jumper to EIA.

Make the following connections between the DB25 connector and J1 on the SMB.

- (✓) Connect pin 1 of the DB25 to pin 16 of J1.
- (✓) Connect pin 2, Transmit, of the DB25 to pin 13, TTY RS232 IN, of J1.
- (✓) Connect pin 3, Receive, of the DB25 to pin 11, TTY RS232 OUT, of J1.

TTY 20ma Current Loop:

Connection to the TTY's current loop can be made at either the Terminal Strip (TS) or J2. Note: In this reference, J1 refers to the jack on the SMB and J2 refers to the jack on the TTY. Follow this procedure:

- () Connect pin 8 of J1 to either pin 7 of TS or pin 8 of J2.
- () Connect pin 10 of J1 to either pin 4 of TS or pin 6 of J2.
- () Connect pin 14 of J1 to either pins 3 and 6 of TS or pins 5 and 7 of J2.
- () Connect 20ma/EIA option jumper to 20ma.

CONVERTING A TELETYPE TERMINAL FROM HALF- TO FULL-DUPLEX OPERATION

To convert a Teletype terminal connected for half-duplex operation to full-duplex operation, the following modifications should be made.

1. Locate the black terminal strip in the back of the data terminal. See Fig. 5a.
2. Move the brown/yellow and white/blue wires from pins 3 and 4 to pin 5.

CONVERTING A TELETYPE TERMINAL FROM 60-ma to 20-ma OPERATION

To convert a Teletype terminal connected for 60-ma operation to 20-ma operation, the following modifications should be made.

1. Locate the black terminal strip in the back of the data terminal. See Fig. 5
2. Move the violet wire from pin 8 to pin 9.
3. Move the blue wire connected to the current source resistor (a flat green resistor having four tabs located to the right of the keyboard) from the 750-ohm tab to the 1450-ohm tab.

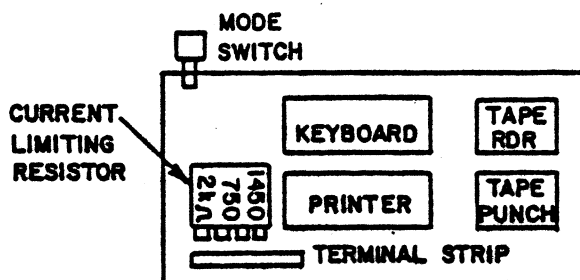


FIG. 5a

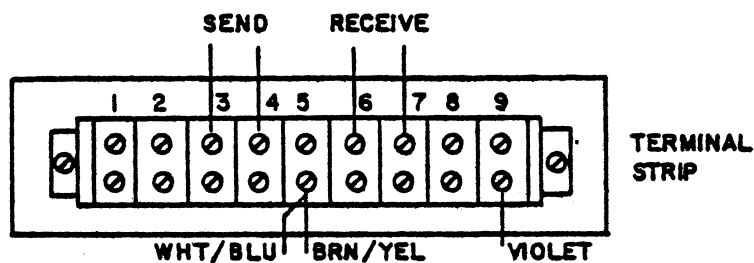


FIG. 5b

Video:

You may connect either a TTY or a CRT terminal to the "Video" port, however, a CRT terminal is usually connected. The connections are very similar to the TTY connections. Refer to the TTY section for any abbreviations used here without explanation. The explanations are not repeated.

- (✓) Make the same 3 jumper connections on the DB 25 as described for the TTY (i.e.- 4 to 5, 6 to 8 and 20, and 1 to 7).
- (✓) Connect pin 1 of DB 25 to pin 16 of J1.
- (✓) Connect pin 2, Transmit, of DB 25 to pin 15, VIDEO RS232 IN, of J1.
- (✓) Connect pin 3, Receive, of DB 25 to pin 9, VIDEO RS232 OUT, of J1.

Note: The Video port does NOT have a 20ma option.

Cassette:

At the top of the SMB, left-hand side of board, there are three connection points. The far left of these is "R" for Record (write). The center one is "GND" for ground. And the right one is "P" for Play (read). The following is the connection procedure:

- () Connect the shields of two shielded audio cables together and then connect them to the center ("GND") terminal.
- () Connect the center wire of the one going to the recorder's input to the left terminal ("R").
- () Connect the center wire of the cable coming from the recorder's output to the right terminal ("P").

Parallel Port:

See the schematic for the pin designations on J1 which pertain to the parallel port. They are labelled "PB" for the port's data bits and "CB" for the port's control bits.

V. Functional Description of SMB2

A. Introduction

The System Monitor Board, SMB2, is a flexible multi-function board which provides a variety of features commonly required in microcomputer systems. The SMB2 includes:

1. Zapple monitor in 2K masked ROM
2. 2 EPROM sockets (one 2708 1K EPROM is included)
3. 2K static RAM (only 1K included)
4. Parallel 8-bit port (PIA)
5. 2 serial RS-232 ports (ACIA)
(20ma current loop interface is available on one port.)
6. Cassette Interface
7. Jump-On-Reset to any 256 byte boundary
8. 8-bit switch register

B. Bus Interface

An internal tristate 8-bit data bus (D0-D7) interconnects the functional units on the SMB2. This bus is connected to the S-100 data-out (D00-D07) and data-in (DI0-DI7) buses through 74LS244 octal tristate buffers (U13 and U14). The internal data bus drives the DI bus when the processor inputs data from the SMB2. The enable signal (ENOUT- at U34 pin 3) is generated when the board is selected (SMB) and the processor does a memory read operation (SMEMR) or an input operation (SINP). The Jump-On-Reset circuit also enables the board outputs. The internal data bus is driven by the D0 bus whenever the processor transfers data to the SMB2. This enable signal (ENIN- at U30 pin 11) is generated for all memory write operations (MWRITE) and output operations (SOUT), regardless of the board select. However, this will have no effect on the SMB2 unless one of its functions is selected.

The SMB2 contains both memory and input/output interfaces. These are addressed independently. The extended memory address lines (A16-A19) are decoded by the 74LS138 at U32. A19 is decoded by a jumper connection to either an inverting (A19=0) or a non-inverting (A19=1) enable input. A16-A18 select one of eight outputs which can be jumpered to the active-low bank enable signal (BANK-). BANK- must be jumpered to ground if extended addressing is not used.

Memory is addressed only when no input/output (IOP=SINP+SOUT) operation is in progress. A12-A15 are decoded by 74LS138's at U22 and U23. Each output corresponds to one 4K address block. These blocks are

subdivided into 1K and 2K address blocks by the 74LS139, U24. These signals are attached to the chip enable inputs of the appropriate memory units. (See also the detailed description in the ROM and RAM sections.) Address lines A0-A11 are buffered by 74LS244's at U19 and U20. The buffered address lines address bytes within each semiconductor memory.

The SMB2 responds to a block of 12 input/output addresses. During input/output operations, the 74LS138 at U15 decodes A4-A7 to select a block of 16 addresses. The decoder is disabled when A2=A3=1 to limit each block to 12 addresses. The SEL- jumper selects which block enables the board. However, the software in the Zapple ROM requires that addresses 70-7B be used. Input/output address assignments are: (Addresses in hexadecimal)

70,71	Serial port (TTY- "teletype")
72,73	Serial prot (VID- "video terminal")
74,75	Cassette serial port (CAS-)
76,77,78,79	Parallel interface port (PIA-)
7A or 7B	Switch register input (SWIT-)

When either memory or an input/output port is selected, the board select signal (SMB at U21 pin 8) is true.

C. ROM/EPROM Memories

The SMB2 layout includes sockets for three ROMs (Read-Only-Memory) or EPROMs (Erasable-Programmable-Read-Only-Memory). A wide variety of standard memory chips have similar pinouts in a 24 pin package. Pins 18, 19, 20 and 21 vary, as shown below:

		Pin 18	Pin 19	Pin 20	Pin 21
INTEL 2708	1Kx8 EPROM	gnd(PRGM)	+12v	CS-	-5v
TI 2716	2Kx8 EPROM	CS-(PRGM)	+12v	A10	-5v
INTEL 2716	2Kx8 EPROM	CS-(PRGM)	A10	OE-	+5v(Vpp)
TI 2532	4Kx8 EPROM	All	A10	CS-	+5v(Vpp)
MOS 34000	2Kx8 ROM	CS-(gnd)	A10	CS-	CS-(gnd)
MOS 32000	4Kx8 ROM	All	A10	CS-	CS-(gnd)
MOS 36000	8Kx8 ROM	All	A10	CS-	A12

CAUTION: INTEL 2716 and TI 2716 are very different parts, electrically. CS- indicates the chip select pin which enables the memory when at logic 0. When this pin is high (logic 1), the memory chip is disabled and its

outputs are in the high-impedance tri-state condition. When several CS- lines are indicated, all must be low to enable the memory. (Some ROM chips may have high true enables.) Additional CS- lines should be grounded or tied to an address line to aid in decoding.

A10, A11, and A12 indicate high order address lines. +12v, -5v, and +5v indicate power supply connections. PRGM and Vpp indicate pins on EPROMs which are used when the device is programmed. The SMB2 cannot program EPROMs.

Standard configuration includes the Zapple Monitor program in a 2Kx8 mask-programmed ROM and a 2708 EPROM programmed with the device driver for the VDB (Video Display Board). The power supply and address line connections required for these devices are part of the printed circuit etching. These traces must be cut if other devices are used. Plated-thru holes are provided to allow neat reconnection for the desired devices.

D. Static RAM

Sockets for four 2114 static RAMs (Random-Access-Memories, read-write) provide two 1Kx8 memory blocks. Select RAM1- enables memories at U7 and U9; select RAM2- enables memories at U6 and U8. (Standard configuration includes memories at U6 and U8 only). The two blocks are driven by separate 1K enables from the address decoders. The contents of the memory may be protected from accidental alteration by opening the write-protect switches on the WR- write pulse line. Memory is lost anytime power is OFF; these switches must be closed in order to store data into the RAM.

E. Parallel Port

A Motorola 6821 Parallel Interface Adapter circuit (PIA) provides two 8-bit parallel input/output ports. The Zapple monitor uses port A to store the I/O byte, precluding its use for input/output. If Zapple is not used, a connector may be installed in the J2 connector holes. Port B is connected to J1.

F. Serial Ports

Two serial ports are implemented using Motorola 6850 Asynchronous Communication Interface Adapter circuits (ACIA). These ports are labeled teletype (TTY- at U10) and video (VID- at U11). The serial communication lines and modem control lines are buffered using RS232 standard line drivers (SN75188 or MC4188)

and line receivers (SN75189 or MC4189). The buffered lines are on connector J1. The teletype port includes circuitry to connect to a 20ma current loop device (jumper selects which input is used; current loop and RS232 signal are assigned separate pins on J1.).

A Motorola 14411 Baud Rate Generator (U17) provides clock timing signals for each ACIA. The clocks are 16 times the frequency of the desired serial baud rate. Jumper wires select the desired baud rate for each serial port separately.

G. Cassette Interface

The third serial port adapts an external low-cost audio cassette deck for recording digital data and programs. The cassette ACIA (U12) is switch selected to operate at either 1200 or 2400 baud. The higher baud rate does require higher fidelity in the signal played back by the cassette deck. This interface only processes the serial signal; it does not control the motion of the tape. Motion control may be manual or controlled by another port. Data is recorded in standard 8-level asynchronous code, including a start and two stop bits per character. Transmission is not required to be continuous. However, whenever the recorder is started, a resynchronization sequence must precede data transfer. TDL software accomplishes this by preceding most punch operations with leader (NULLS) followed by 8 rubouts (OFFH), followed by the data. In addition, upon loading tapes, the software waits until the appearance of 4 or more rubouts, and then begins loading when reaching the first non-rubout that follows. This prevents the 1-2 characters of garbage, that result from initial cassette start-up, from being treated as valid data. (See the "L" and "U" commands in the Zapple Manual).

The cassette transmit clock (TCC), is switch selected to either the 75 baud (1200 hz) or the 150 baud (2400 hz) output of the baud rate generator. The two baud rate select switches should not both be closed at the same time. Note that the generator outputs are set 16 times the baud rate. The cassette ACIA runs at 1x the baud rate. The ACIA transmit data output (TDC) is a NRZ signal clocked by the falling edge of TCC. TDC and TCC are exclusive-or'ed to generate a double-frequency self-clocked signal for the recorder. There is always a clock transition in the center of a bit cell (rising edge of TCC). Data is the level of the signal following this transition (i.e. while TCC is high). This recording scheme is polarity sensitive. A transmit polarity select switch (SW3-4) allows the signal to generate the polarity required by the cassette. The flux polarity written on the tape should match that of TDL's distributed software. The microphone inputs of

cassette recorders are intended for small amplitude signals. Thus, the output is attenuated to 0.4 volts (SW3-1 closed) or 0.04 volts (SW3-1 open).

The playback input is configured to connect to the auxiliary speaker output of the cassette deck. The input resistors provide a low impedance 32 ohm input resistance compatible with the cassette output. This output is usually heavily distorted. The LM339 analog comparator restores this signal to a clean square wave. Two 1K ohm resistors provide a 2.5 volt reference. The comparator negative input is the a.c. component of the cassette signal referenced to 2.5 volts. The positive input is the same reference with 50 millivolts of hysteresis (positive feedback). The hysteresis allows the circuit to time between the sharp leading edges of the input pulses. The trailing portion of the pulse lacks definition and is sensitive to noise. Note that both inputs are referenced to the same voltage; the offset error of the circuit is only that of the comparator itself.

The receiver clock is generated from the input square wave. The second comparator is used to delay the square wave by 3 microseconds. The exclusive-or of these signals is a 3 usec. pulse following each transition. This pulse triggers a non-retriggerable one-shot whose period is $3/4$ of the bit period. Clock transitions trigger the one-shot; data transitions do not trigger the one-shot because the output is still active. The rising edge of the complementary output strobes the data into the ACIA. SW3-3 sets the polarity of the input data.

1200 baud corresponds to a bit period of 850 usec. which requires that the one-shot period be 630 usec. At 2400 baud, the times are 425 usec. and 315 usec, respectively. The one-shot timing is halved by closing SW3-2 which parallels a second equal resistor with timing resistor.

The output of the cassette's read pre-amplifier is usually less distorted than the speaker output. The 22 ohm (R7) input resistor should be replaced with a much larger value if it is driven by the pre-amplifier. Very low amplitude input signals may require less hysteresis, i.e. larger value resistor in the feedback (R11).

H. Jump-On-Reset and Switch Register

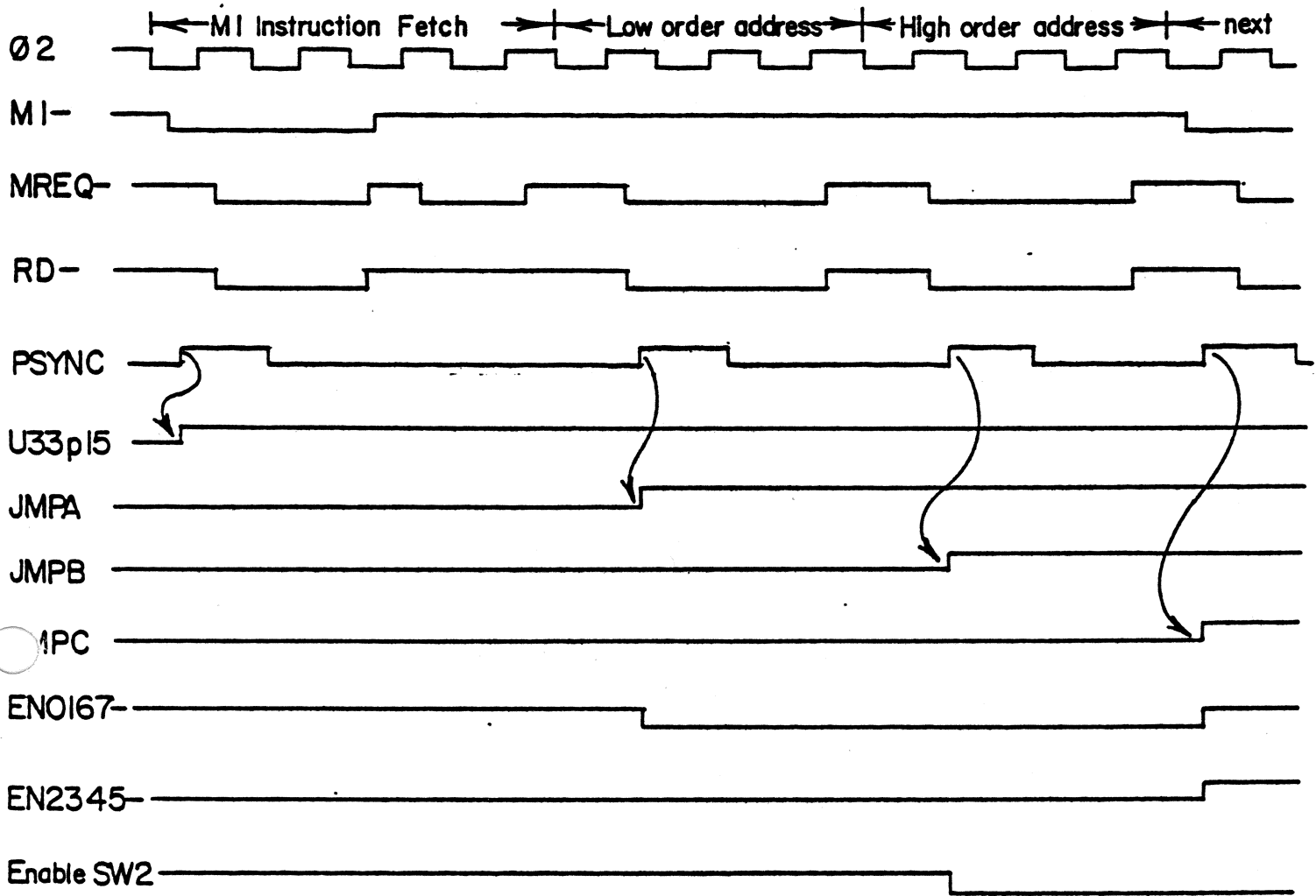
Dip-switch SW1 is eight switches which can be read as a byte from port x'NA'. Dip-switch SW2 sets the high-order address byte for Jump-On-Reset. The low-order byte is zero. These switches are gated onto the data bus with two quad 2-line to 1-line tri-state multiplexors (74LS258 at U4 and U5).

requires that the processor execute the sequence as shown in the diagram on the following page.

The 74LS258s have inverted outputs. Thus when ENSW=1 and the SELECT=0 inputs are all high, the multiplexors force the data bus low. The jump instruction code conveniently contains four "1" bits (0,1,6,7) and four "0" bits (2,3,4,5). Thus x'C3' is put on the data lines by enabling only the multiplexor (U5) which drives bits 2,3,4,5 low. Pull up resistors cause bits 0,1,6,7 to be high. The x'00' is caused by enabling both multiplexors. The SW2 switch settings are read by bringing the common side of the switches low.

The 74LS175 (U33) is connected as a shift register. It is reset by the bus RESET- signal. This activates the Jump-On-Reset circuit. The shift register is clocked by the leading edge of PSYNC. This precedes the PDBIN signal that the processor uses to input the data. Thus an extra flip-flop is set before JMPA is set. (However, the original ZPU from TDL has PSYNC high when RESET- is released. The extra flip-flop must be removed from the circuit. This is easily done by bending pin 15 of the 74LS175 at U33 out of the socket.)

SMB2 Jump-on-Reset Timing Diagram

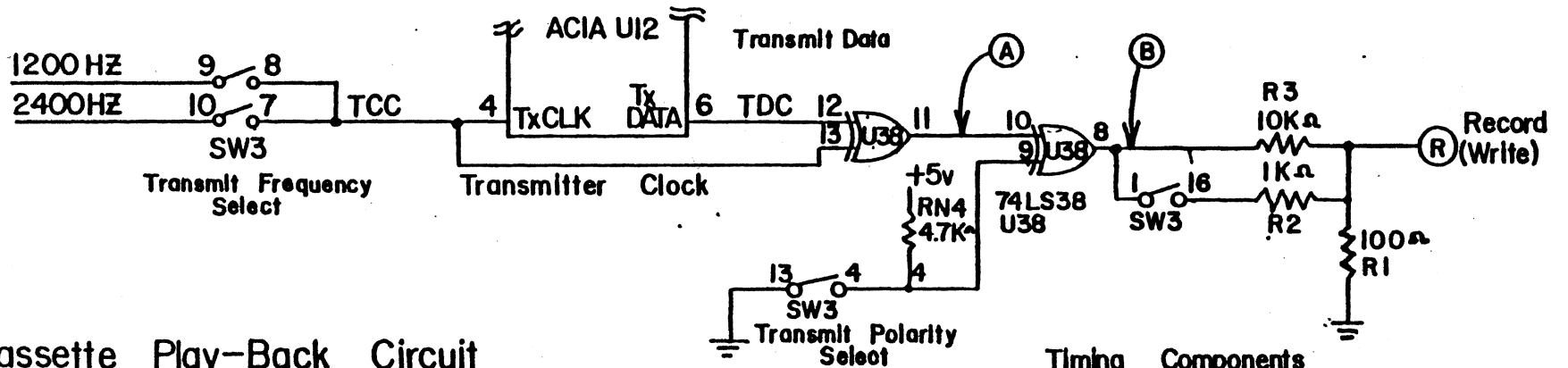


DD-D7 X' C3' Jump op-code X'00' (A0-A7) SW.2 (A8-A15)

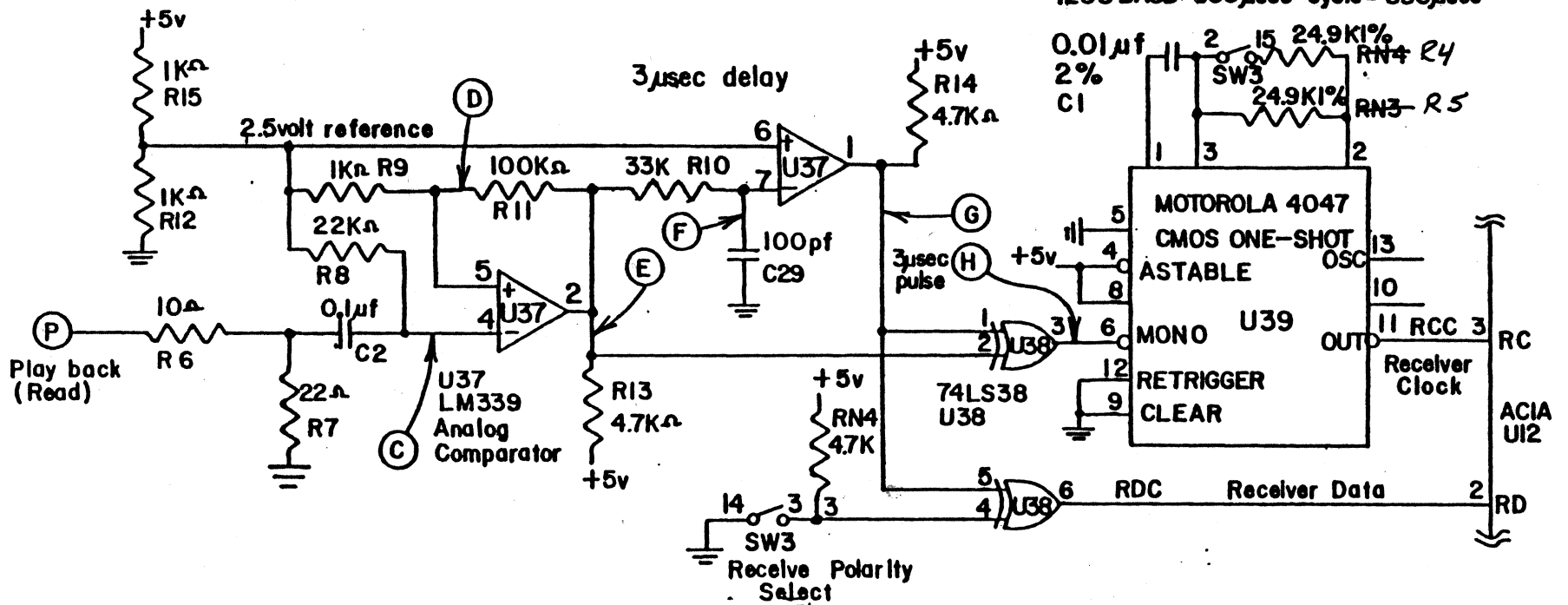
JMFA	JMPB	JMPC	EN0167-	EN2345-	SELECT (JMPC)	ENSW (JMPB-)	DO-D7	
0	0	0	1	0	0	1	X'C3'	Jump instruction code
1	0	0	0	0	0	1	X'00'	Low-order address byte
1	1	0	0	0	0	0	SW2	High-order address byte
1	1	1	1	1	1	X	tristate	Circuit disabled
1	1	1	0	0	1	X	SW1	Read Switch Register

SMB2

Cassette Record Circuit

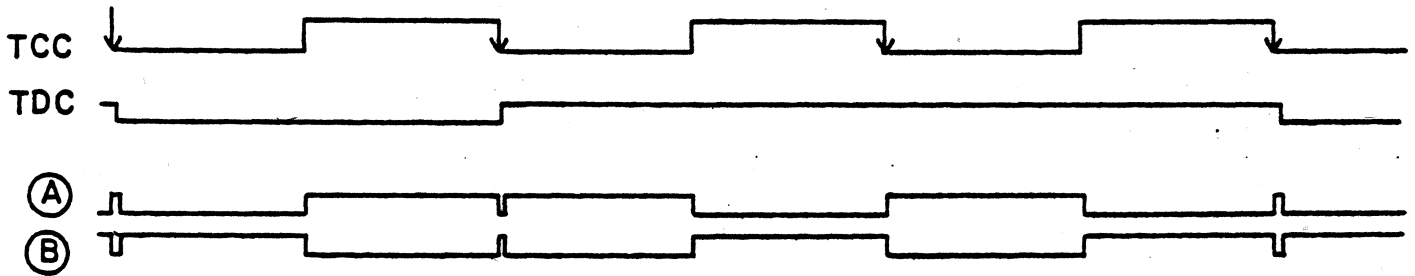


Cassette Play-Back Circuit



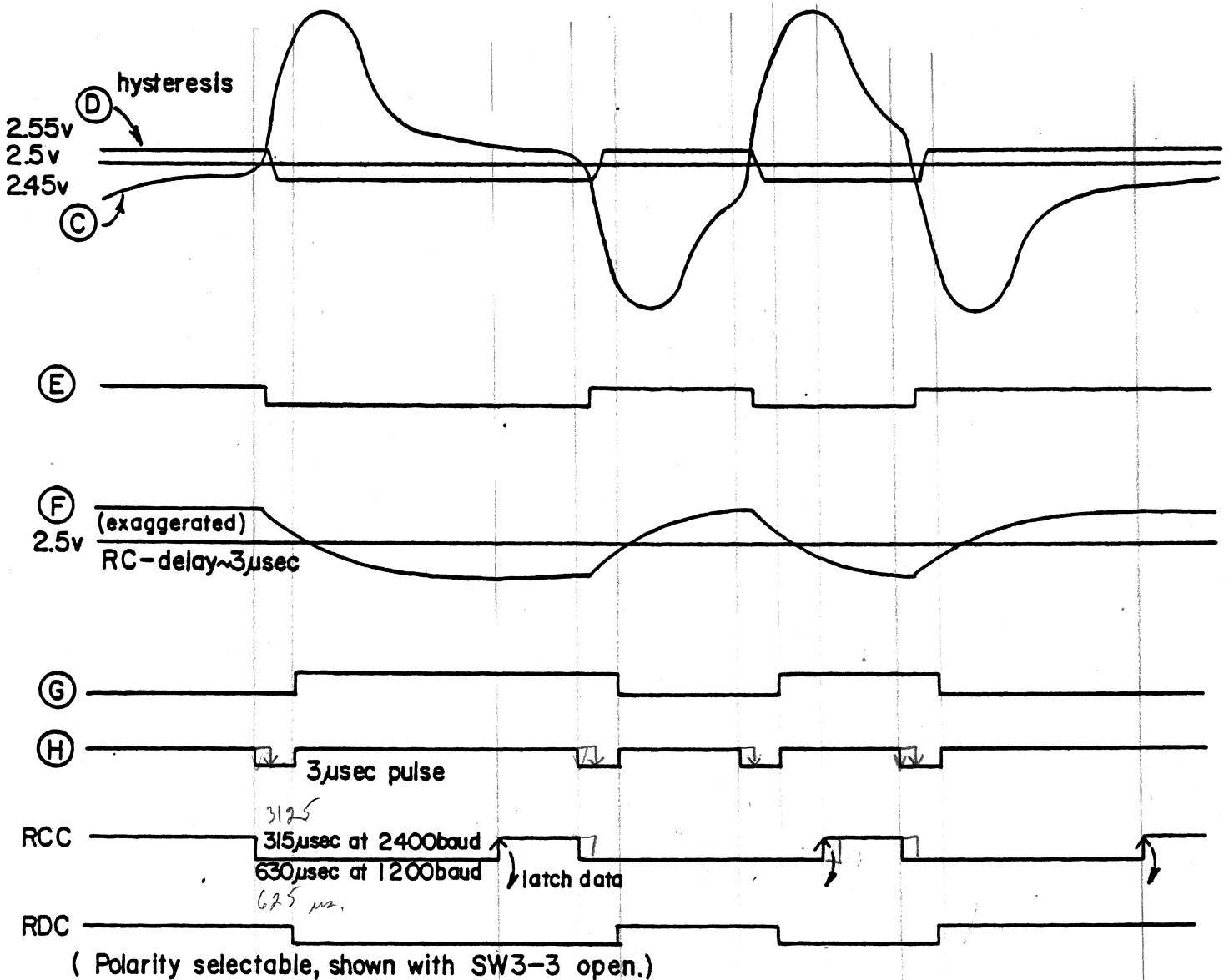
SMB 2

Cassette Timing Diagram



R (same as B, but only 40mvolt or 400mvolt peak) (Polarity selectable: shown with SW3-4 open.)

P (amplitude, polarity and wave form depend on recorder used) (SW3-4 open.)



416 µs.

425µsec at 2400 baud

850µsec at 1200 baud

25.2.16

VI. Software Documentation & Listings

A. 1K Extension ROM

Included in the Standard SMB2 is one 2708 ROM chip, factory programmed with the following:

1. TDL VDB Driver Software
2. Buffered Cassette Routines
3. 2708 Programmer Software
4. Extended User-defined Commands
5. Current Assignment Display

1. VDB Driver

The information for the VDB driver is included in Section IV. User Guide under B. VDB Set Up.

2. Buffered Cassette Routine

The Buffered Cassette Routine provides utility commands to open and close the input/output buffers and to control the cassette motors.

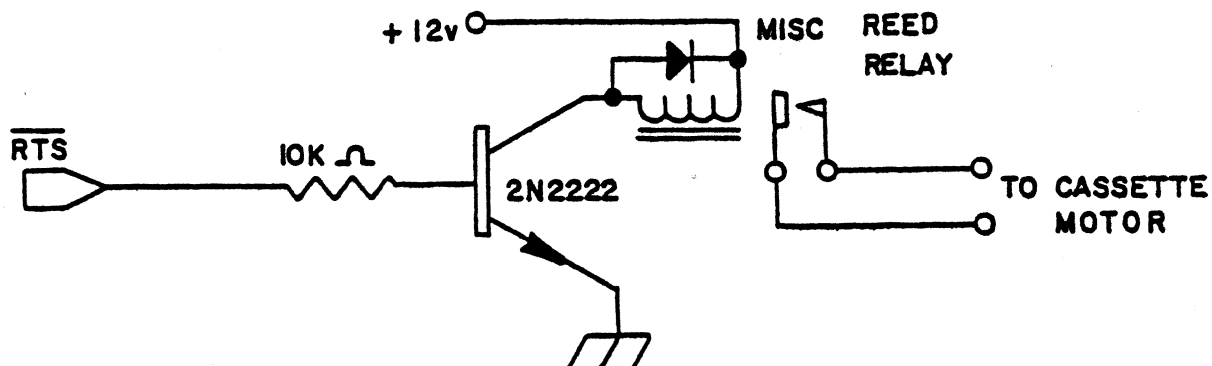
Please note! When using the Buffered Cassette Routine you must be careful not to do the right thing at the wrong time. I.E. you must open, close and rewind cassettes at various times during the running of your programs, and it is very easy to get mixed up. Cassette player 0 is the playback unit and cassette recorder 1 is the record unit.

The Buffered Cassette Routine is provided by Technical Design Labs for use with the ROM Zapple and the System Monitor Board. This routine provides the user with the ability to simulate a controlled paper tape reader and punch with two cassette tape recorders of adequate quality.

You must implement two motor control relays which are driven from the REQUEST TO SEND leads from two of the ACIA's on the System Monitor board.

RCSS = Cass 0 = play
TTS = Cass 1 = rec.
RTS = 1 = on
RTS = 0 = off

This circuit was used at TDL.



The RTS leads come out on the 26 wire ribbon cable. The RTS leads from the TTY and cassette ACIA's are used for motor control, and the RTS lead from the video (crt) ACIA is not used.

RTS TTY = Cassette 1 = Rec
 RTS RCSS = Cassette 2 = Play

Study this example of text editing and assembly:

- 1) Sign on Zapple Monitor (turns on both motors).
- 2) Place a cassette containing the cassette routines on cassette 0 (playback). Type AR=C (cr) which assigns the reader to cassette.
- 3) Place a cassette containing the Text Editor on cassette 0 (playback). Type R,100 (cr) and turn on cassette 0 which loads the Text Editor into memory at 0100 Hex. When the prompt character ">" is printed, stop and rewind the Editor tape.
- 4) Type K.C,0,F to stop the cassette motors. Place the cassette containing the text material to be edited on cassette 0 (playback). Place a blank cassette on cassette 1 (record). Press the play button on cassette 0 and the record button on cassette 1. Note the motors should be off at this time.
- 5) Type AR=U (cr) and AP=U (cr) to assign the reader and punch to the Buffered Cassette Routine.
- 6) Type K.C,0,0 to open the output file (reset the pointer). Type K.C,0,I to open the input file (starts the cassette 0 and preloads the buffer, then turns the motor off).
- 7) Type G100 (cr) to execute the Text Editor (follow the Text Editor manual for procedures). Every time you type A (escape) (escape) the Text Editor will read 50 lines of text. The cassette routine will start up the cassette 0 motor every time the input buffer gets empty. When you type W (escape) (escape) or E (escape) (escape) the Text Editor writes out text to the punch buffer and when the buffer is full, the Buffered Cassette Routine will start cassette 1 (record) and write the buffer to the cassette and then stop the cassette.
- 8) When ending the text edit with the E command, the last buffer load may not have been written to the cassette. Type X (escape) (escape) to get back to Zapple. Then type K.C,C,0 to close the output file and write the last buffer to the cassette.
- 9) Turn off the cassette, type K.C,0,N to start the motors. Then rewind the cassette in the record machine.
- 10) Type AR=C (cr), place the assembler tape in the playback machine, type R,100 (cr), and start the cassette to load in the assembler. When the prompt character ">" is printed, stop and rewind the assembler tape.
- 11) Remove the source tape from cassette 1 (record), see step 9, and place it in cassette 0 (playback). Type AR=U (cr) and AP=U (cr) to assign the reader and punch to the Buffered Cassette Routine. Type K.C,0,I and K.C,0,0 to open both output and input files. Cassette 0 (playback) will start up and preload the first buffer. Place a blank tape in the output machine.
- 12) Type G100 (cr), and when the assembler types "PASS=" respond with "1". Cassette 0 (playback) should start up, and the assembler should process pass 1.
- 13) When the assembler next types "PASS=" respond with "0", the assembler should trap to the monitor. Type K.C,0,I - the cassette 0 (playback) motor should start, rewind and play the tape again. The machine should stop after

- loading the first buffer.
- 14) Type G (cr) to return to the assembler. The assembler types "PASS=" and you respond with "4". The assembler should process the second pass and type the listing on the lineprinter device and output the Hex Object tape to cassette 1 (record).
 - 15) At the end of this pass, when the assembler types "PASS=" answer "0" and you type K.C,C,0 to cause the writing of the last block to cassette 1 (record).
 - 16) Load the(object tape using the Buffered Cassette Routines and the R command. I.E. AR=U instead of AR=C as with the TDL supplied tapes, because the tapes that you create using these routines are in a blocked format.

3. 2708 Programmer Software

The Standard SMB2 is provided with the Zapple (tm) Monitor in 2K Masked ROM. In addition, one 2708 has been provided as an "Extension" to the 2K Zapple. Additional commands have been included and are accessed through the user-defined "K" command.

4. Extended User-defined Commands

The syntax of the extended user-defined "K" command is:

>K.[a] where [a] may be A thru Z.

The commands included in the 2708 are:

K.A = Current I/O assignment map
 K.C = Buffered Cassette Routines
 K.K = Branches to a user-defined "K" command
 K.P = Programs a 2708 (in conjunction with a bytesaver)
 K.T = Sends a form-feed to the current List Device
 K.X = Resets and clears the VDB hardware
 K.Z = Absolute JMP to Zapple

Any other commands have been turned off. They may be set to another address by programming the .WORD address into the proper location (using a bytesaver).

The Commands

K.A Simply typing "K.A" will respond with the current I/O assignment map printed on the console. Example:

K.A

C=V R=T P=T L=L

which means:

C=V the current console is the Video device
 R=T the current reader device is the TTY
 P=T the current punch device is the TTY
 L=L the current list device the (user
 routine) is the lineprinter.

K.C See section VI.-A.-2. on the Buffered
 Cassette.

K.K This vectors to a "JMP" located at OFC1EH.
 Note that this JMP and the routine must
 have been placed in memory by the user
 prior to its use.

K.P This program allows direct manipulation
 of the Bytesaver through the Zapple Monitor.
 It is self-prompting and easy to use. Prior
 to typing "K.P", you should put the code
 you want to program somewhere easy to
 remember, (i.e. 1000H) and put the bytesaver
 in the machine at some convenient address
 (i.e. 8000H).

Type "K.P" and the message:

BASE ADDR:

will be printed. This refers to the base
 address of the bytesaver. In the above
 example, you would type 8000. Study the
 following:

BASE ADDR:8000(return)

The computer will then type:

NMBR & DATA ADDR:

The "NMBR" refers to which of the 8 ROM
 sockets you want to program. "0" is the
 one on the extreme right of the bytesaver
 board and "7" would be on the extreme left.

The "DATA ADDR:" refers to the address of
 the DATA (byte pattern) you wish to place

in the "NMBR" ROM.

In the above example, you might type

NMBR & DATA ADDR:0,1000(return)

Note the comma between 0 and 1000.

The computer then prompts with:

SW ON-

Waiting for you to turn the "Program Power" switch to the UP (on) position.

When you have turned it on, type a return and wait. After a short time you should get another prompt that reads:

SW OFF-

NOTE: If before the SW OFF- message you get *BAD* printed, this means a bad ROM was detected and should be changed.

If no *BAD* message was encountered, turn the switch to the DOWN (off) position and type return.

The computer will then type:

NMBR & DATA ADDR:

This allows programming up to 8 ROMs in one session. You would then type:

NMBR & DATA ADDR:1,1400(return)

and the process will be repeated for the next ROM. Note that the address must also reflect the next ROM as well (+400H).

When you are done, simply answer the "NMBR & DATA ADDR:" question with a carriage return only, and you will return to the Zapple command mode.

K.T This command will send a form-feed (OCH) to the currently assigned list device.

K.X This command will perform a software reset of TDL's VDB board and initialize the screen and send the cursor "Home", to the upper left corner.

NOTE: This command assumes the VDB is set up for the TDL standard of 9CH for the control port. Do not implement this command unless you have a VDB in the system. (It will "hang" the system, and you would have to use RESET to get back to Zapple.)

K.Z This is an unconditional branch to Zapple. It is to be used after clearing the memory area where the monitor's stack is located.

5. Current Assignment Display

This routine will print on the console the current I/O assignments. It may be evoked by the user-defined expanded "K.A" command.

B. Cassette Interface

A good quality cassette recorder should be used with this interface. Most tape recorders selling for \$ 69.95 and above should be excellent choices. Due to the wide variety of recorders available and variation from recorder to recorder it is difficult to recommend a particular brand. However, the above price range should be of some help. Although less expensive recorders such as the General Electric (NO. 3-5105) at \$ 39.95 and others have been used successfully at TDL, it is observed that they are harder to adjust and operate and some of them are extremely difficult, if not impossible, to get running reliably.

The volume control is the most critical adjustment to make. If the unit has a tone control, it should be set at the extreme "treble" setting. It is best to begin by making a recording of the Zapple Monitor contained in ROM and then playing it back and verifying it against the ROM. Begin by plugging the audio cable coming from "R" on the SMB to the "RECORD" jack of the recorder and the cable from "P" to the "SPEAKER" or "EARPHONE" jack of the recorder. The "RECORD" jack may be labelled either "MIC" or "AUX". Some recorders have both. See User Guide section A.-3. Cassette Options on setting of S3, the MIC/AUX switch, and make sure it is in the correct position.

To copy the monitor, the following command should be used:

WF000,F7FF (return)

The tape recorder should be started well in advance of hitting return and a few nulls (N <return>) may be inserted before actually recording. When the monitor comes back with the ">" prompt, enter the following:

E (return)

This latter step is very important as it signals the end of the file. What has just been recorded is a checksummed hex file of the Zapple Monitor.

Rewind the tape to the starting position and note the volume control setting. The following command should be used on playback:

R1000 (return)

Start the recorder before hitting return so the speed has a chance to become stable. When the playback is finished, the monitor will return with the ">" prompt. At this time, if the volume setting was adequate, there will be a copy of the monitor at 0000H to 07FFH. Make sure there is RAM at that location. Test for accuracy of the copy by using the verify command:

V0,07FF,F000 (return)

If everything is OK, the ">" prompt will return. If not, the addresses that do not match will be printed followed by the hex representation of the copy and then the hex of the monitor's byte.

Before changing the volume setting and re-recording, switch S4 to its other state (invert). If that isn't successful, re-record at different volume settings until the proper one is found. Don't forget to try playback in both the inverted and non-inverted states of S4.

Some units, especially the less expensive ones are very poorly isolated internally and will pick up the continuous tone put out by the interface's record circuitry and feed it back on playback. If trouble is experienced, try unplugging the jack to the recorder while playing back.

```
;  
; THIS SOFTWARE IS PROVIDED IN A ONE-K ROM  
; FOR USE IN TDL "SMB2".  
;  
;  
; COPYRIGHT 1978 By Technical Design Labs, Inc.  
; 1101 State Rd. Research Park, Bldg. H  
; Princeton, New Jersey 08540  
;  
;  
;      +++ CONSTANTS +++  
;      ;  
FFFF      OFF      == -1      ;UNIMPLIMENTED BRANCH COMMAND  
;      ;  
;      +++ ASCII CONTROL CHARACTERS +++  
;      ;  
0008      BS      ==      08H      ;BACK SPACE  
000D      CR      ==      0DH      ;CARRIAGE RETURN  
000A      LF      ==      0AH      ;LINE FEED  
000C      FF      ==      0CH      ;FORM FEED  
0007      BEL     ==      07H      ;BELL  
0011      DC1     ==      11H      ;DC CONTROLS  
0012      DC2     ==      12H  
0013      DC3     ==      13H  
0014      DC4     ==      14H  
007F      DEL     ==      7FH      ;DELETE  
;  
; THIS SOFTWARE MAY BE MODIFIED BY THE USER  
; WITH FULL PERMISSION HEREBY GRANTED BY TDL.  
; HOWEVER, TECHNICAL DESIGN LABS ASSUMES NO  
; LIABILITY WITH REGARD TO EITHER THE USAGE  
; OR PERFORMANCE OF THE FOLLOWING PROGRAMS.  
;  
; THIS SOFTWARE WAS DESIGNED TO BE USED ONLY  
; IN CONJUNCTION WITH HARDWARE SUPPLIED BY  
; TECHNICAL DESIGN LABS.  
;  
;  
;
```


03/22/78 12:00:00

Extension routines for TDL "SYSTEM MONITOR BOARD".
ZAPPLE MONITOR VARIABLE EQUATES

```

;
;      +++ ZAPPLE MONITOR EQUATES +++
;
F000   START   ==      ZAPPLE           ; START OF MONITOR
;
F003   CI      ==      ZAPPLE+3
F006   RI      ==      ZAPPLE+6
F009   CO      ==      ZAPPLE+9
F00C   PO      ==      ZAPPLE+12
F00F   LO      ==      ZAPPLE+15
F01E   TRAP    ==      ZAPPLE+30
;
0070   TTS     == IO    ; TTY STATUS
0074   RCSS    == IO+4  ; CASSETTE STATUS
0076   IOBYT   == IO+6  ; I/O BYTE LATCH
;
;      BUFFERED CASSETTE ROUTINE EQUATES
;
0080   BSIZE   == 128   ; BUFFER SIZE
0016   SYN     == 16H   ; SYNC CHARACTER
;
;
F464   ERROR   ==      0F464H ; ERROR RETURN
F574   HILO    ==      0F574H ; INX H & CMP HL TO DE
F59E   MARK    ==      0F59EH ; PUNCH 8 RUB OUTS
F5A3   LEAD    ==      0F5A3H ; PUNCH NULLS
F794   LTBL    ==      0F794H ; DEVICE ASSIGNMENT TABLE
F488   BLK     ==      0F488H ; PRINT A SPACE
F452   TOM     ==      0F452H
F736   TI      ==      0F736H ; GET KEYBOARD & ECHO
F730   KI      ==      0F730H ; GET KEYBOARD, NO ECHO
F60A   PCHK    ==      0F60AH ; TEST FOR DELIMITER
F540   EXPR    ==      0F540H ; GET 16 BIT ADDRESS
F512   CRLF    ==      0F512H ; IN SMB1
]
;
F800   ROM     ==      ZAPPLE+800H
;

```

03/22/78 12:00:00

Extension routines for TDL "SYSTEM MONITOR BOARD".

BRANCH TABLE AT ZAPPLE VECTOR LOCATIONS

```

;
;
F800      .LOC      ROM
;
;
F800      C3 F824    JMP      CIU        ;USER CONSOLE INPUT
F803      C3 F82D    JMP      COU        ;USER CONSOLE OUTPUT
F806      C3 FC06    JMP      RIPLOC     ;AR=P (VECTOR TO RAM)
F809      C3 FA9D    JMP      READ       ;BUFFERED CASSETTE READ ROUTINE
F80C      C3 FC0C    JMP      POPLOC     ;AP=P (VECTOR TO RAM)
F80F      C3 FA41    JMP      PUNCH      ;BUFFERED CASSETTE ROUTINE
F812      C3 FC12    JMP      LOLLOC     ;AL=L (VECTOR TO RAM)
F815      C3 F846    JMP      LOU        ;USER LIST DEVICE (VDB)
F818      C3 F836    JMP      CSU        ;USER CONSOLE STATUS
F81B      C3 FC1B    JMP      IUCMND     ;USER DEFINED "I" COMMAND
F81E      C3 F85E    JMP      KUSER      ;K COMMAND
F821      C3 FC21    JMP      OUCMND     ;USER DEFINED "O" COMMAND
;
;
; SUPPORT ROUTINES TO ENABLE USAGE OF
; THE TOTAL VDB CAPABILITIES, AND STILL
; ALLOW USER-DEFINABLE CONSOLE CONFIGURATIONS.
;
;
;
F824      CD F83F    CIU:      CALL      TEST      ;DETERMINE CONFIGURATION
F827      C2 FC00    JNZ      CIULOC     ;NOT BATCH MODE, VECTOR OUT
F82A      C3 F9E4    JMP      KBIN       ;ELSE USE VDB KEYBOARD
;
;
F82D      CD F83F    COU:      CALL      TEST      ;DETERMINE CONFIGURATION
F830      C2 FC03    JNZ      COULOC     ;NOT BATCH MODE, VECTOR OUT
F833      C3 F900    JMP      VDB        ;ELSE USE VDB DRIVER
;
;
F836      CD F83F    CSU:      CALL      TEST      ;DETERMINE CONFIGURATION
F839      C2 FC18    JNZ      CSULOC     ;NOT BATCH MODE, VECTOR OUT
F83C      C3 F9ED    JMP      KBSTS      ;ELSE USE VDB KEYBOARD
;
;
F83F      DB7A      TEST:     IN        IO+10    ;READ CONFIGURATION SW.
F841      E603      ANI      3          ;LOOK AT CONOLE SECTION
F843      FE02      CPI      2          ;BATCH MODE? (VDB)
F845      C9        RET
;
;
F846      DB77      LOU:      IN        IO+7    ;LOOK AT IOBYTE CONTROL
F848      CB47      BIT      0,A        ;HAS VDB BEEN INITIALIZED?
F84A      C2 F900    JNZ      VDB        ;YES, USE DRIVER
F84D      CBC7      SET      0,A        ;ELSE SET-UP SMB HARDWARE
F84F      D377      OUT      IO+7    ;STORE THE FACT
F851      CD F83F    CALL     TEST      ;BATCH MODE?
F854      2006      JRNZ     ..NO      ;JUST USER LIST
F856      DB76      IN        IO+6    ;MODIFY CONSOLE TO USER
F858      F603      ORI      3          ;FORCE TO USER
F85A      D376      OUT      IO+6
F85C      1856      ..NO:    JMPR     INIT      ;INITIALIZE THE VDB
;
;

```

03/22/78 12:00:00

Extension routines for TDL "SYSTEM MONITOR BOARD".

EXPANDED COMMAND BRANCH TABLE

```

F85E      21 F880      KUSER:  LXI      H,UTAB  ;POINT TO COMMAND TABLE
F861      CD F736      CALL     TI      ;GET NEXT CHARACTER
F864      FE2E         CPI      '.'     ;MUST BE A PERIOD
F866      C2 F464      JNZ     ERROR   ;I SAID PERIOD!
F869      CD F736      CALL     TI      ;GET NEXT CHARACTER
F86C      D641         SUI     'A'     ;QUALIFY IT
F86E      D8           RC      ;<A
F86F      FE1A         CPI     'Z'-'A'+1
F871      D0           RNC     ;>Z
F872      87          ADD     A      ;A*2
F873      85          ADD     L      ;+UTAB
F874      6F          MOV     L,A     ;INDEX INTO TABLE
F875      7E          MOV     A,M     ;GET LOW BYTE
F876      23          INX     H
F877      66          MOV     H,M     ;GET HIGH BYTE
F878      6F          MOV     L,A     ;HL=ROUTINE ADDRESS
F879      A4          ANA     H      ;TEST FOR 'OFF'
F87A      3C          INR     A
F87B      CA F464     JZ      ERROR   ;UNDEFINED COMMAND
F87E      E9          PCHL     ;GO DO COMMAND

;
;
F880      .LOC      ROM+128 ;BRANCH TABLE LOCATION
;
;
F880      F8C5      UTAB:  .WORD  ADISP  ;A - ASSIGNMENT DISPLAY
F882      FFFF      .WORD  OFF    ;B
F884      F9FA      .WORD  UTLY   ;C - CASSETTE ROUTINES
F886      FFFF      .WORD  OFF    ;D
F888      FFFF      .WORD  OFF    ;E
F88A      FFFF      .WORD  OFF    ;F
F88C      FFFF      .WORD  OFF    ;G
F88E      FFFF      .WORD  OFF    ;H
F890      FFFF      .WORD  OFF    ;I
F892      FFFF      .WORD  OFF    ;J
F894      FC1E      .WORD  KUCMND ;K - VECTOR TO USER "K" COMMAND
F896      FFFF      .WORD  OFF    ;L
F898      FFFF      .WORD  OFF    ;M
F89A      FFFF      .WORD  OFF    ;N
F89C      FFFF      .WORD  OFF    ;O
F89E      FB43      .WORD  PGM    ;P - PROGRAM A 2708
F8A0      FFFF      .WORD  OFF    ;Q
F8A2      FFFF      .WORD  OFF    ;R
F8A4      FFFF      .WORD  OFF    ;S
F8A6      F9F5      .WORD  TFORM  ;T - FORM FEED TO LIST DEVICE
F8A8      FFFF      .WORD  OFF    ;U
F8AA      FFFF      .WORD  OFF    ;V
F8AC      FFFF      .WORD  OFF    ;W
F8AE      F8B4      .WORD  INIT   ;X - INITIALIZE THE VDB SCREEN
F8B0      FFFF      .WORD  OFF    ;Y
F8B2      F000      .WORD  ZAPPLE ;Z - RESTART ZAPPLE
;
;

```

03/22/78 12:00:00

Extension routines for TDL "SYSTEM MONITOR BOARD".

VDB INITIALIZATION SECTION

```

;
;
;      +++ VDB INITIALIZATION SECTION +++
;
0080      MDBIT      = 80H      ;THIS CAN BE CHANGED TO ALLOW
;                               ;A USER DEFINED INITIALIZATION.
;
;      80H      = NORMAL MODE, BLINKING CURSOR
;      90H      = NORMAL MODE, NO CURSOR
;      88H      = REVERSE VIDEO, BLINKING CUR.
;      98H      = REVERSE VIDEO, NO CURSOR
;
;
F8B4      3EE3      ;INIT:      MVI      A,VDBRES      ;RESET VDB
F8B6      D39C      OUT      VDBCTL
F8B8      3E7F      MVI      A,#MDBIT      ;WRITE TO MODE REG.
F8BA      2F        CMA              ;ALLOWS 2708 CHANGE
F8BB      D39C      OUT      VDBCTL
F8BD      AF        XRA      A              ;CLEAR PARALLEL PORT
F8BE      D39F      OUT      VDBK.D
F8C0      3E0C      MVI      A,FF          ;FORM FEED
F8C2      C3 F968   JMP      CNTL          ;FAKE IT
;
;

```

03/22/78 12:00:00

Extension routines for TDL "SYSTEM MONITOR BOARD".

CURRENT ASSIGNMENT DISPLAY PROGRAM

```

;
; THIS ROUTINE WILL PRINT ON THE CONSOLE THE
; CURRENT I/O ASSIGNMENTS.
;
; IT MAY BE EVOKED BY EITHER THE USER-DEFINED
; EXPANDED "K" COMMAND [K.A] IN ZAPPLE V1.X,
; OR THE "BRANCH" COMMAND IN ZAPPLE V2.X
; [B.A]
;

```

```

F8C5      CD F512      ADISP:  CALL    CRLF
F8C8      21 F793      LXI     H,LTBL-1 ;POINT TO ZAPPLE TABLES
F8CB      1E04         MVI     E,4      ;4 DEVICES
F8CD      DB76         IN      IO+6     ;GET CURRENT ASSIGNMENT
F8CF      57          ..AD1:  MOV     D,A      ;SAVE IT IN DE
F8D0      08          EXAF                    ;& A'
F8D1      0604        MVI     B,4      ;4 ASSIGNMENTS
F8D3      CD F488      CALL    BLK      ;SPACE OVER
F8D6      23          INX     H
F8D7      4E          MOV     C,M      ;GET DEVICE
F8D8      CD F009      CALL    CO
F8DB      0E3D        MVI     C,'='
F8DD      CD F009      CALL    CO
F8E0      7A          MOV     A,D      ;GET DEVICE MASK
F8E1      E603        ANI     3        ;BITS 0 & 1
F8E3      57          MOV     D,A      ;KEEP IT IN D
F8E4      14          INR     D        ;TEST FOR ZERO
F8E5      23          ..AD2:  INX     H        ;POINT TO ASSIGNMENT
F8E6      4E          MOV     C,M      ;GET IDENTIFIER
F8E7      15          DCR     D
F8E8      CC F009      CZ      CO      ;THIS MUST BE IT
F8EB      10F8        DJNZ   ..AD2    ;DO THIS 4 TIMES
F8ED      08          EXAF                    ;GET NEXT MASK
F8EE      1F          RAR
F8EF      1F          RAR                    ;INTO 0 & 1
F8F0      1D          DCR     E        ;MORE TO GO?
F8F1      20DC        JRNZ   ..AD1    ;YES
F8F3      C9          RET                    ;ELSE RETURN

```

```

;
; SUBROUTINE FOR ROM PROGRAMMER
; WAITS FOR A CR FROM THE CONSOLE
; (HERE TO FILL OUT PAGE...)
;

```

```

F8F4      CD F730      WAIT:  CALL    KI
F8F7      FE0D        CPI     CR
F8F9      20F9        JRNZ   WAIT
F8FB      C9          RET

```

```

;

```

03/22/78 12:00:00

Extension routines for TDL "SYSTEM MONITOR BOARD".

VDB DRIVER PROGRAM, WITH RAM BUFFER

```

;
;      MARCH 1978 - by Roger Amidon
;
;      +++ VDB PORT AND MASK DEFINITIONS +++
;
009D      VDBDAT  ==      VDBCTL+1      ;DATA PORT ADDRESS
009E      VDBK.S  ==      VDBCTL+2      ;VDB KEYBOARD STATUS
009F      VDBK.D  ==      VDBCTL+3      ;KEYBOARD DATA
0080      VDBMRF  ==      10000000B     ;MODE REGISTER FLAG
00C0      VDBYCF  ==      11000000B     ;Y CURSOR FLAG
00E0      VDBXCR  ==      11100000B     ;X CURSOR READ
00E1      VDBYCR  ==      11100001B     ;Y CURSOR READ
00E2      VDBMRR  ==      11100010B     ;MODE REGISTER READ
00E3      VDBRES  ==      11100011B     ;RESET VDB
0060      VDBGMK  ==      01100000B     ;GRAPHIC MASK
;
;      +++ MODE BIT DEFINITIONS +++
;
0000      VDBZAP  ==      0              ;ALTERNATE PAGE
0001      VDBZBE  ==      1              ;BLINK ENABLE
0002      VDBZIS  ==      2              ;INVERT SYMBOL
0003      VDBZID  ==      3              ;INVERT DISPLAY
0004      VDBZDC  ==      4              ;DISABLE CURSOR
0005      VDBZDD  ==      5              ;DISABLE DISPLAY
;
;      +++ VDB TELETYPE SIMULATOR +++
;
F900      .LOC    ROM+100H      ;PUT THIS ON A PAGE BORDER
;
F900      79      VDB:  MOV      A,C      ;GET OUTPUT CHARACTER
F901      E67F    ANI      7FH          ;GET RID OF PARITY BIT
F903      C8      RZ              ;IGNORE NULLS
F904      FE7F    CPI      DEL         ;RUBOUT?
F906      C8      RZ              ;IGNORE IT
F907      C5      PUSH     B          ;SAVE REGISTERS
F908      D5      PUSH     D          ;
F909      E5      PUSH     H          ;
F90A      CD F912 CALL     MAIN        ;CALL DRIVER
F90D      E1      POP      H          ;RESTORE REGISTERS
F90E      D1      POP      D          ;
F90F      C1      POP      B          ;
F910      79      MOV      A,C        ;OUTPUT CHARACTER INTO A
F911      C9      RET              ;DONE
;
;      +++ VDB DRIVER +++
;
F912      0E9C    MAIN:  MVI      C,VDBCTL ;SET C UP
F914      FE20    CPI      " "        ;CONTROL CHARACTER?
F916      3850    JRC      CNTL       ;YES
F918      47      MOV      B,A        ;SAVE PRINTING CHAR.
F919      3EE2    MVI      A,VDBMRR   ;GET THE MODE
F91B      D39C    OUT      VDBCTL
F91D      DB9C    IN       VDBCTL

```

03/22/78 12:00:00

Extension routines for TDL "SYSTEM MONITOR BOARD".

VDB DRIVER PROGRAM, WITH RAM BUFFER

```

F91F      E606      ANI      1<VDBZBE!1<VDBZIS
F921      2802      JRZ      ..NO7      ;NO BLINK OR DISPLAY INVERT
F923      CBF8      SET      7,B
F925      78        ..NO7:  MOV      A,B      ;WRITE THE CHARACTER
F926      D39D      OUT      VDBDAT
F928      3EE0      MVI      A,VDBXCR
F92A      D39C      OUT      VDBCTL      ;TEST X POS
F92C      ED40      INP      B      ;SEE IF WE JUST WENT ZERO
F92E      C0        RNZ      ;NOPE
F92F      3C        INR      A      ;A=VDBYCR
F930      D39C      OUT      VDBCTL      ;TEST Y POS
F932      ED40      INP      B      ;DID WE GO ZERO?
F934      C0        RNZ      ;NOPE
F935      21 FC24   SCROL:  LXI      H,BUFF      ;POINT TO BUFFER
F938      5D        MOV      E,L      ;SAVE POINTER LSB
F939      0C        INR      C      ;C=VDBDAT
F93A      CD F9CE   CALL     GTMD      ;GET CURRENT MODE
F93D      F5        PUSH     PSW      ;FOR LATER
F93E      F610      ORI      1<VDBZDC      ;KILL CURSOR
F940      D39C      OUT      VDBCTL      ;INHIBIT
F942      AF        XRA      A      ;X=0
F943      D39C      OUT      VDBCTL
F945      3EC1      MVI      A,VDBYCF+1      ;SET UP Y
F947      1618      MVI      D,24      ;DO THIS 24 TIMES
F949      D39C      ..SC1:  OUT      VDBCTL      ;SET Y POS
F94B      0650      MVI      B,80      ;GET THE 80 CHARACTERS AT Y
F94D      EDB2      INIR
F94F      6B        MOV      L,E      ;RESET BUFF
F950      3D        DCR      A      ;Y=Y-1
F951      D39C      OUT      VDBCTL
F953      0650      MVI      B,80
F955      EDB3      OUTIR
F957      6B        MOV      L,E      ;RESET BUFF
F958      C602      ADI      2      ;DO NEXT LINE
F95A      15        DCR      D
F95B      20EC      JRNZ     ..SC1
F95D      CD F9D7   CALL     CLIN      ;CLEAR LAST LINE
F960      3ED8      MVI      A,24!VDBYCF
F962      D39C      OUT      VDBCTL
F964      F1        POP      PSW
F965      D39C      OUT      VDBCTL      ;ENABLE DISPLAY
F967      C9        RET

;
F968      FE0A      ;CNTL:  CPI      LF      ;IS IT LF?
F96A      282F      JRZ      ..LF      ;GO DO IT
F96C      FE0D      CPI      CR      ;IS IT CR?
F96E      284F      JRZ      ..CR      ;GO DO IT
F970      FE08      CPI      BS      ;IS IT BS?
F972      284F      JRZ      ..BS      ;GO DO IT
F974      FE0C      CPI      FF      ;IS IT FF?
F976      2833      JRZ      ..FF      ;GO DO IT
F978      FE07      CPI      BEL     ;IS IT BELL?
F97A      2810      JRZ      ..BEL     ;GO DO IT
F97C      D611      SUI      DC1      ;IS IT DC1?

```

03/22/78 12:00:00

Extension routines for TDL "SYSTEM MONITOR BOARD".

VDB DRIVER PROGRAM, WITH RAM BUFFER

```

F97E    D8                RC                ;MISC. CNTL
F97F    FE04             CPI                4                ;IS IT DC4?
F981    D0                RNC                ;MISC. CONTROL
F982    0601             MVI                B,1            ;THE SHIFT BIT
F984    3C                INR                A
F985    3D                ..SHFT: DCR                A
F986    280C             JRZ                ..OK
F988    CB20             SLAR               B
F98A    18F9             JMPR               ..SHFT ;SET B UP
;
F98C    3E80             ;..BEL: MVI                A,80H        ;PULSE BIT 7 TO
F98E    D39F             OUT                VDBK.D        ; RING BELL
F990    AF                XRA                A
F991    D39F             OUT                VDBK.D
F993    C9                RET
;
F994    CD F9CE         ;..OK:  CALL                GTMD         ;GET CURRENT MODE
F997    A8                XRA                B                ;COMPLIMENT SELECTED BIT
F998    D39C             OUT                VDBCTL        ;SET NEW MODE
F99A    C9                RET
;
F99B    3EE1             ;..LF:  MVI                A,VDBYCR        ;ENABLE TO READ Y POS
F99D    D39C             OUT                VDBCTL
F99F    DB9C             IN                 VDBCTL        ;READ Y
F9A1    3C                INR                A
F9A2    FE19             CPI                25            ;TIME TO SCROLL?
F9A4    308F             JRNC               SCROL
F9A6    F6C0             ORI                VDBYCF        ;SET Y
F9A8    D39C             OUT                VDBCTL
F9AA    C9                RET
;
F9AB    3EC0             ;..FF:  MVI                A,VDBYCF
F9AD    D39C             OUT                VDBCTL        ;RESET X&Y
F9AF    AF                XRA                A
F9B0    D39C             OUT                VDBCTL
F9B2    CD F9D7         ;..FF1: CALL                CLIN         ;CLEAR THE LINE
F9B5    3EE1             MVI                A,VDBYCR        ;SET TO READ Y
F9B7    D39C             OUT                VDBCTL
F9B9    DB9C             IN                 VDBCTL        ;INPUT Y CURSOR
F9BB    B7                ORA                A
F9BC    20F4             JRNZ               ..FF1        ;NOT DONE, TRY AGAIN
F9BE    C9                RET                ;DONE
;
F9BF    AF                ;..CR:  XRA                A                ;SET X=0
F9C0    D39C             OUT                VDBCTL
F9C2    C9                RET
;
F9C3    3EE0             ;..BS:  MVI                A,VDBXCR
F9C5    D39C             OUT                VDBCTL
F9C7    ED58             INP                E
F9C9    C8                RZ                ;AT LEFT MARGIN
F9CA    1D                DCR                E
F9CB    ED59             OUTP               E                ;X=X-1
F9CD    C9                RET

```


03/22/78 12:00:00

Extension routines for TDL "SYSTEM MONITOR BOARD".
VDB DRIVER PROGRAM, WITH RAM BUFFER

```

;
F9CE  3EE2      GTMD:  MVI    A,VDBMRR      ;SET TO READ MODE
F9D0  D39C      OUT    VDBCTL        ;SET IT
F9D2  DB9C      IN     VDBCTL        ;GET CURRENT MODE
F9D4  F680      ORI    VDBMRF        ;SET TO WRITE MODE
F9D6  C9        RET

;
F9D7  3EE0      CLIN:  MVI    A,VDBXCR
F9D9  D39C      OUT    VDBCTL
F9DB  AF        ..CL1: XRA    A
F9DC  D39D      OUT    VDBDAT
F9DE  DB9C      IN     VDBCTL
F9E0  B7        ORA    A
F9E1  20F8      JRNZ   ..CL1
F9E3  C9        RET

;
```


03/22/78 12:00:00

Extension routines for TDL "SYSTEM MONITOR BOARD".

TDL/SMB ROM BUFFERED CASSETTE ROUTINES

```
;
;
;           BY TOM KIRK 10/5/77
;
; THIS BUFFERED CASSETTE ROUTINE IS CALLED
; USING THE "USER" ASSIGNMENT FOR THE READER/
; PUNCH LOGICAL DEVICES.
;
; COMMANDS ARE AS FOLLOWS:
; *NOTE* -COMPUTER TYPES THE COMMAS
;
; K.C,O,N           TURN ON THE MOTORS OF THE
;                   CASSETTE RECORDERS. TO REWIND
;                   TAPES, ETC.
;
; K.C,O,F           TURN OFF THE MOTORS OF THE
;                   CASSETTE RECORDERS.
;
; K.C,O,O           OPEN THE OUTPUT FILE. RESET
;                   THE POINTER TO THE BEGINNING
;                   OF THE BUFFER. USED BEFORE
;                   CREATING ANY OUTPUT.
;
; K.C,O,I           OPEN THE INPUT FILE. START UP
;                   THE PLAY CASSETTE, LOAD THE
;                   FIRST BLOCK, STOP THE MOTOR,
;                   RESET THE POINTER TO THE
;                   BEGINNING OF THE BUFFER.
;                   USED PRIOR TO THE START OF
;                   READING ANY INPUT.
;
; K.C,C,O           CLOSE THE OUTPUT FILE. FILL
;                   THE REST OF THE BUFFER WITH
;                   NULLS ( 00H ), START THE RECORD
;                   CASSETTE, AND WRITE OUT THE
;                   LAST BLOCK. MUST BE USED TO
;                   WRITE THE LAST BLOCK TO THE
;                   CASSETTE AT THE END OF A PROGRAM.
;
; K.C,C,I           CLOSE THE INPUT FILE. FILL THE
;                   INPUT BUFFER WITH CONTROL Z
;                   ( 1AH ) CHARACTERS AND RESET THE
;                   POINTER. MUST BE USED WITH THE
;                   TEXT EDITOR TO TERMINATE THE
;                   COPY INPUT TO OUTPUT PHASE OF
;                   THE "E" COMMAND WHEN ENDING A
;                   TEXT EDITING SESSION THAT DOES
;                   NOT HAVE AN INPUT TAPE.
;
;
```

03/22/78 12:00:00

Extension routines for TDL "SYSTEM MONITOR BOARD".

TDL/SMB ROM BUFFERED CASSETTE ROUTINES

```

;
;
F9FA   CD FA1A   UTLTY:  CALL   GCHAR   ;GET SECOND LETTER
F9FD   41                MOV   B,C
F9FE   CD FA1A   CALL   GCHAR   ;GET THIRD LETTER
FA01   21 FA25   LXI   H,TABLE-3 ;LOOK UP TABLE
FA04   23                ..3:  INX   H
FA05   23                ..2:  INX   H
FA06   23                INX   H
FA07   7E                MOV   A,M
FA08   B7                ORA   A           ;END OF
FA09   CA F464   JZ    ERROR    ; TABLE
FA0C   B8                CMP   B           ;1ST?
FA0D   23                INX   H           ;NEXT ENTRY
FA0E   20F4       JRNZ   ..3       ;NO
FA10   7E                MOV   A,M
FA11   B9                CMP   C           ;2ED?
FA12   23                INX   H
FA13   20F0       JRNZ   ..2       ;NO
FA15   5E                MOV   E,M       ;YES
FA16   23                INX   H
FA17   56                MOV   D,M
FA18   EB                XCHG
FA19   E9                PCHL                ;GO DOIT!

```

```

;
FA1A   0E2C       GCHAR:  MVI   C,', ' ;PROVIDE OWN
FA1C   CD F009   CALL   CO      ; DELIMITER
FA1F   CD F730   CALL   KI      ;GET COMMAND
FA22   E65F       ANI   5FH     ;MAKE UPPER CASE
FA24   4F         MOV   C,A     ;ECHO
FA25   C3 F009   JMP   CO

```

```

;
;DEFINE JTBL[L12,ADDR] = [
;WORD 'L12''>8!'L12''<8,ADDR]

```

note: reverse



```

;
TABLE:  JTBL   CO,CLOUT[
FA28   4F43   +   .WORD  'CO'>8!'CO'<8,CLOUT]
      2A     FAFc
FA2C   4943   +   .WORD  'CI'>8!'CI'<8,CLEN]
      2E     FB11
FA30   4F4F   +   .WORD  'OO'>8!'OO'<8,OPOUT]
      32     FAF5
FA34   494F   +   .WORD  'OI'>8!'OI'<8,OPIN]
      36     FB0C
FA38   4E4F   +   .WORD  'ON'>8!'ON'<8,MOT.ON]
      3A     FB22
FA3C   464F   +   .WORD  'OF'>8!'OF'<8,MOT.OF]
FA40   00     +   .BYTE  0

```

3E

FB22

05/22/78 12:00:00

Extension routines for TDL "SYSTEM MONITOR BOARD".
FIXED BLOCK WRITE ROUTINE

```

FA41    E5          PUNCH:  PUSH    H          ;SAVE REG'S
FA42    D5          PUSH    D
FA43    C5          PUSH    B
FA44    11 FCF8     LXI      END    ;END OF BUFFER
FA47    2A FC75     LHL    R          ;POINTER
FA4A    71          MOV     ;SAVE IT
FA4B    CD F574     CALL   ;STEP POINTER
FA4E    22 FC75     SHLD   R          ;SAVE POINTER
FA51    DC FA59     H      F          ;IF BUFFER FULL
FA54    C1          POP     B          ;RESTORE
FA55    D1          POP     D          ; REG'S
FA56    E1          POP     H
FA57    79          MOV     A,C
FA58    C9          RET

;
FA59    CD FB37     ;WRBFB: CALL   SW10    ;START
FA5C    3E51        MVI   A 5TH    ;UP
FA5E    D370        OUT   ;DRIVE 1
FA60    21 FC79     LXI   H PBUF  ;START OF
FA63    22 FC75     SHLD  P BPT R ;BUFFER
FA66    CD F5A3     CALL  LEAD
FA69    CD F5A3     CALL  LEAD
FA6C    CD F59E     CALL  MARK
FA6F    0E16        MVI   C 1      ;SYNC
FA71    CD F00C     CALL  PO
FA74    4E          ;..W: MOV   C,M    ;GET CHARACTER
FA75    CD F00C     CALL  PO        ;TO CASSET
FA78    CD F574     CALL  H1LO     ;TEST FOR END
FA7B    30F7        JRN   "W       ;NOPE
FA7D    0E16        MVI   C        ;WRITE
FA7F    CD F00C     CALL  PO        ;END-MARK
FA82    CD F59E     CALL  MARK     ;DON'T STOMP ON SYNC
FA85    C3 FB2A     JMP   STOP     ;STOP TAPES

;
FA88    F5          ;NOSYN: P
FA89    CD FB2A     CALL  STOP     ;SHUT DOWN
FA8C    F1          POP   PSW
FA8D    C3 F01E     JMP   TRAP

;
FA90    CD FB2A     ;ABORT: CALL  STOP ;SHUT DOWN
FA93    C3 F464     JMP   ERROR

;
FA96    CD F006     ;RIFF: CALL  RT    ;GET READER CHARACTER
FA99    38F5        JRC   ABORT   ;ABORT ON CARRY
FA9B    BA          C      ;TEST D
FA9C    C9          RET

```

03/22/78 12:00:00

Extension routines for TDL "SYSTEM MONITOR BOARD".

FIXED BLOCK READ ROUTINE

```

FA9D    E5          READ:   PUSH    H          ;SAVE REG'S
FA9E    D5          PUSH    D
FA9F    C5          PUSH    B
FAA0    11 FD79     ..RD1:  LXI    D, RBEND+1 ;END OF BUFFER
FAA3    2A FC77     LHL    RBPTR    ;POINTER
FAA6    7E          MOV    A, M      ;GET CHARACTER
FAA7    F5          PUSH   PSW       ;SAVE IT
FAA8    CD F574     CALL   HILO     ;STEP POINTER
FAAB    22 FC77     SHLD  RBPTR    ;SAVE POINTER
FAAE    3006        JRNC   ..RD2    ;BUFFER OK
FAB0    CD FABC     CALL   RDBUF    ;REFILL BUFFER
FAB3    F1          POP    PSW       ;CLEAR GARBAGE
FAB4    18EA        JMPR  ..RD1    ;GET CHARACTER
FAB6    F1          ..RD2:  POP    PSW       ;RESTORE REG'S
FAB7    C1          POP    B
FAB8    D1          POP    D
FAB9    E1          POP    H
FABA    B7          ORA    A          ;CLEAR FLAG
FABB    C9          RET

;
FABC    CD FB37     RDBUF:  CALL   SWIO    ;START
FABF    3E50        MVI    A, 50H    ;UP
FAC1    D374        OUT    RCSS      ;DRIVE 0
FAC3    21 FCF9     LXI    H, RBUF   ;BUFFER START
FAC6    16FF        MVI    D, OFFH   ;START-OF-FILE
FAC8    0604        ..RDO:  MVI    B, 4    ;FIND 4
FACA    CD FA96     ..RD1:  CALL   RIFF
FACD    20F9        JRNZ   ..RDO
FACF    10F9        DJNZ  ..RD1
FAD1    1616        MVI    D, SYN    ;FILE SYNC
FAD3    CD FA96     ..RD2:  CALL   RIFF    ;WAIT FOR FILE
FAD6    20FB        JRNZ   ..RD2
FAD8    11 FD78     LXI    D, RBEND ;END OF BUFFER
FADB    CD F006     ..RD3:  CALL   RI      ;GET CHARACTER
FADE    38B0        JRC    ABORT    ;MANUAL ABORT
FAE0    77          MOV    M, A      ;SAVE IT
FAE1    CD F574     CALL   HILO     ;TEST FOR END
FAE4    30F5        JRNC   ..RD3    ;NOPE
FAE6    CD F006     CALL   RI      ;GET END MARK
FAE9    FE16        CPI    SYN      ;CHECK FOR END
FAEB    209B        JRNZ  NOSYN    ;BLOCK ERROR
FAED    21 FCF9     LXI    H, RBUF   ;RESET
FAFO    22 FC77     SHLD  RBPTR    ;POINTER
FAF3    1835        JMPR  STOP     ;STOP TAPES

```

03/22/78 12:00:00

Extension routines for TDL "SYSTEM MONITOR BOARD".
UTILITY AND SUPPORT ROUTINES

```

FAF5      21 FC79      OPOUT:  LXI      H,PBUFF ;RESET
FAF8      22 FC75      SHLD     PBPTR  ;BUFFER
FAFB      C9          RET

;
FAFC      2A FC75      CLOUT:  LHL     PBPTR  ;POINTER
FAFF      11 FCF8      LXI      D,PBEND ;END OF BUFFER
FB02      3600        ..CL:   MVI     M,0   ;CLEAR
FB04      CD F574      CALL    HILO   ;REST OF
FB07      30F9        JRNC    ..CL   ;BUFFER
FB09      C3 FA59      JMP     WRBTF  ;AND OUTPUT

;
FB0C      CD FB11      OPIN:   CALL    CLEN  ;SET EMPTY
FB0F      18AB        JMPR   RDBUF  ;FILL BUFFER

;
FB11      21 FCF9      CLEN:   LXI     H,RBUFF ;RESET
FB14      22 FC77      SHLD    RBPTR  ;TO FULL
FB17      E5          PUSH    H      ;SAVE IT
FB18      361A        MVI     M,1AH  ;Z (EOF)
FB1A      D1          POP     D      ;OVERLAP
FB1B      13          INX     D      ; MOVE
FB1C      01 007F     LXI     B,BSIZE-1
FB1F      EDB0        LDIR   ;FILL BUFFER
FB21      C9          RET

;
FB22      3E50        MOT.ON: MVI     A,50H  ;START
FB24      D374        OUT    RCSS   ;DRIVE 0 (PLAY)
FB26      3C          INR     A      ;START
FB27      D370        OUT    TTS   ;DRIVE 1 (RECORD)
FB29      C9          RET

;
FB2A      3A FC74      STOP:   LDA     IOSAV ;RESTORE
FB2D      D376        OUT    IOBYT ;I/O BYTE
FB2F      3E10        MOT.OF: MVI     A,10H  ;STOP
FB31      D374        OUT    RCSS   ;DRIVE 0 (PLAY)
FB33      3C          INR     A      ;STOP
FB34      D370        OUT    TTS   ;DRIVE 1 (RECORD)
FB36      C9          RET

;
FB37      DB76        SWIO:   IN      IOBYT ;GET I/O BYTE
FB39      32 FC74      STA     IOSAV ;SAVE IT
FB3C      E6C3        ANI     OC3H  ;MASK READER/PUNCH
FB3E      F628        ORI     028H  ;SET TO
FB40      D376        OUT    IOBYT ;CASSETTE
FB42      C9          RET

```

03/22/78 12:00:00

Extension routines for TDL "SYSTEM MONITOR BOARD".

BYTE MOVER ROUTINE FOR ZAPPLE

```

;
;      WRITTEN BY JOHN MONTAGNA
;
; THIS ROUTINE WILL PROGRAM A BYTE SAVER
; ADDRESSED AT LOCATION 'BASE'. A PROM
; NUMBER (0-7) IS REQUIRED ALONG WITH A DATA
; PICK UP ADDRESS. THIS ROUTINE ASSUMES 1K ROMS.
;
; *NOTE: ANY UNUSED PORTION OF THE 1K BLOCK SHOULD
; BE FILLED WITH 'FF' USING THE FILL COMMAND.
;

```

```

3
FB43  21 FBCE      PGM:    LXI      H,MSG1
FB46  060C        MVI      B,MSG1L
FB48  CD F452     CALL    TOM
FB4B  CD F540     CALL    EXPR    ;GET BASE OF BYTESAVER
FB4E  E1         POP     H
FB4F  D9         EXX     ;SAVE IN HL'
FB50  21 FBDA     MORE:    LXI      H,MSG2
FB53  0613        MVI      B,MSG2L
FB55  CD F452     CALL    TOM
FB58  CD F60A     CALL    PCHK    ;GET KEYBOARD
FB5B  D8         RC      ;CR ENTERED, QUIT
FB5C  D630        SUI     '0'    ;LOOKING FOR A NUMBER
FB5E  3806        JRC     ..ER   ;TOO SMALL
FB60  57         MOV     D,A    ;SAVE IN D
FB61  E6F8        ANI     #7H    ;BETWEEN 0 & 7
FB63  CC F60A     CZ      PCHK    ;GET DELIMITER
FB66  C2 F464     ..ER:   JNZ     ERROR ;NOT DELIMITER, ABORT
FB69  CD F540     CALL    EXPR    ;GET THE ADDRESS
FB6C  D9         EXX     ;GET PROM BOARD START
FB6D  E5         PUSH    H
FB6E  D9         EXX
FB6F  E1         POP     H
FB70  01 0400     LXI     B,400H ;ONE THOUSAND
FB73  14         INR     D
FB74  15         DCR     D    ;TEST FOR ZERO
FB75  2804        JRZ     SKIP    ;TEST FOR FINISHED
FB77  09         ..LP:   DAD     B    ;ADD # OF K'S
FB78  15         DCR     D    ;DONE ONE MORE
FB79  20FC        JRNZ    ..LP
FB7B  E5         SKIP:   PUSH    H    ;SAVE PUT DOWN ADDR.
FB7C  21 FBC5     LXI     H,MSG0  ;POINT TO MESSAGE
FB7F  0609        MVI     B,MSGOL ;# OF CHARS
FB81  CD F452     CALL    TOM    ;SEND MESSAGE
FB84  CD F8F4     CALL    WAIT
FB87  CD F512     CALL    CRLF
FB8A  E1         POP     H    ;PUT DOWN ADDRESS
FB8B  D1         POP     D    ;PICK UP ADDRESS
FB8C  3E32        MVI     A,50   ;DO THIS 50 TIMES
FB8E  F5         LOOP2:  PUSH    PSW   ;SAVE COUNT
FB8F  D5         PUSH    D    ;SAVE PICK UP
FB90  E5         PUSH    H    ;SAVE PUT DOWN
FB91  FD21 0400   LXI     Y,400H ;1K MUST MATCH
FB95  01 0400     LXI     B,400H ;HOW MANY LOCATIONS

```


03/22/78 12:00:00

Extension routines for TDL "SYSTEM MONITOR BOARD".

BYTE MOVER ROUTINE FOR ZAPPLE

```

FB98      1A          LOOP3:  LDAX   D          ;PICKUP
FB99      77          MOV    M,A        ;PUT DOWN
FB9A      BE          CMP    M          ;VERIFY PUT DOWN
FB9B      2002       JRNZ   SKIP2       ;NO GOOD?
FB9D      FD2B       DCX    Y          ;YES GOOD
FB9F      13          SKIP2:  INX    D
FBA0      23          INX    H
FBA1      0B          DCX    B
FBA2      78          MOV    A,B        ;TEST FOR FINISHED
FBA3      B1          ORA    C          ;WITH THIS PASS
FBA4      20F2       JRNZ   LOOP3
FBA6      E1          POP    H
FBA7      D1          POP    D
FBA8      F1          POP    PSW
FBA9      3D          DCR    A          ;DONE ONE MORE PASS
FBAA      FD2B       DCX    Y          ;TEST FOR A 100%
FBAC      FD29       DADY   Y          ;MATCH ON THIS PASS
FBAE      20DE       JRNZ   LOOP2       ;DO ANOTHER PASS
FBB0      21 FBF7    LXI    H,ERMSG
FBB3      0609       MVI   B,ERMSG
FBB5      D4 F452    CNC    TOM        ;CALL IF ERROR
FBB8      21 FBED    LXI    H,MSG3
FBBB      060A       MVI   B,MSG3
FBBD      CD F452    CALL  TOM
FBC0      CD F8F4    CALL  WAIT        ;WAIT FOR CR
FBC3      188B      JMPR  MORE

;
FBC5      0DOA      MSG0:  .BYTE  CR,LF
FBC7      5357204F4E07
0009      SW-ON      MSG0L  = .-MSG0
;
FBCE      0DOA      MSG1:  .BYTE  CR,LF
FBDO      424153452041
000C      BASE-A    MSG1L  = .-MSG1
;
FBDA      0DOA      MSG2:  .BYTE  CR,LF
FBDC      4E4D42522026
0013      NMBR-ξ    MSG2L  = .-MSG2
;
FBED      0DOA      MSG3:  .BYTE  CR,LF
FBEF      5357204F4646
000A      SW-OFF    MSG3L  = .-MSG3
;
FBF7      0DOA      ERMSG:  .BYTE  CR,LF
FBF9      2A4241442A
FBFE      0DOA      .BYTE  CR,LF
0009      ERMSG    ERMSG  = .-ERMSG
;
;

```

03/22/78 12:00:00

Extension routines for TDL "SYSTEM MONITOR BOARD".

READ/WRITE (RAM) STORAGE DEFINITIONS

```

;
;      +++ DATA STORAGE (RAM) SECTION +++
;
FC00      .LOC      ROM+400H
;
FC00      CIULOC:  .BLKB 3  ;*
FC03      COULOC:  .BLKB 3  ;*
FC06      RIPLOC:  .BLKB 3  ;*
FC09      RIULOC:  .BLKB 3  ;USED BY BUFFERED CASSETTE
FC0C      POPLOC:  .BLKB 3  ;*
FC0F      POULOC:  .BLKB 3  ;USED BY BUFFERED CASSETTE
FC12      LQLOC:   .BLKB 3  ;*
FC15      LOULOC:  .BLKB 3  ;PERMANENTLY ASSIGNED TO VDB
FC18      CSULOC:  .BLKB 3  ;*
FC1B      IUCMND:  .BLKB 3  ;USER DEFINED "I" COMMAND
FC1E      KUCMND:  .BLKB 3  ;USER DEFINED "K" COMMAND
FC21      OUCMND:  .BLKB 3  ;USER DEFINED "O" COMMAND
;
;
FC24      BUFF:    .BLKB 80      ;VDB BUFFER STORAGE
;
;
;      +++ BUFFERED CASSETTE STORAGE AREAS +++
;
FC74      IOSAV:   .BLKB 1      ;I/O BYTE STORAGE
FC75      PBPTR:   .BLKB 2      ;PUNCH BUFFER POINTER
FC77      RBPTR:   .BLKB 2      ;READ BUFFER POINTER
;
FC79      PBUFF:   .BLKB  BSIZE  ;PUNCH BUFFER
FCF8      PBEND    ==          PBUFF+BSIZE-1
;
FCF9      RBUFF:   .BLKB  BSIZE  ;READ BUFFER
FD78      RBEND    ==          RBUFF+BSIZE-1
;
.END

```

03/22/78 12:00:00

Extension routines for TDL "SYSTEM MONITOR BOARD".

+++++ SYMBOL TABLE +++++

<i>ABORT</i> DRT	FA90	ADISP	F8C5	BEL	0007	BLK	F488
BS	0008	BSIZE	0080	BUFF	FC24	CI	F003
CIU	F824	CIULOC	FC00	CLEN	FB11	CLIN	F9D7
CLOUT	FAFC	CNTL	F968	CO	F009	COU	F82D
COULOC	FC03	CR	000D	CRLF	F512	CSU	F836
CSULOC	FC18	DC1	0011	DC2	0012	DC3	0013
DC4	0014	DEL	007F	ERMSG	FBF7	ERMSG	0009
ERROR	F464	EXPR	F540	FF	000C	GCHAR	FA1A
GTMD	F9CE	HILO	F574	INIT	F8B4	IO	0070
IOBYT	0076	IOSAV	FC74	IUCMND	FC1B	KBIN	F9E4
KBSTS	F9ED	KI	F730	KUCMND	FC1E	KUSER	F85E
LEAD	F5A3	LF	000A	LO	F00F	LOLLOC	FC12
LOOP2	FB8E	LOOP3	FB98	LOU	F846	LOULOC	FC15
LTBL	F794	MAIN	F912	MARK	F59E	MDBIT	0080
MORE	FB50	MOT.OF	FB2F	MOT.ON	FB22	MSG0	FBC5
MSG0L	0009	MSG1	FBCE	MSG1L	000C	MSG2	FBDA
MSG2L	0013	MSG3	FBED	MSG3L	000A	NOSYN	FA88
OFF	FFFF	OPIN	FB0C	OPOUT	FAF5	OUCMND	FC21
PBEND	FCF8	PBPTR	FC75	PBUFF	FC79	PCHK	F60A
PGM	FB43	PO	F00C	POPLOC	FC0C	POULOC	FC0F
PUNCH	FA41	RBEND	FD78	RPTR	FC77	RBUFF	FCF9
RCSS	0074	RDBUF	FABC	READ	FA9D	RI	F006
RIFF	FA96	RIPLOC	FC06	RIULOC	FC09	ROM	F800
SCROL	F935	SKIP	FB7B	SKIP2	FB9F	SMB.	0001
START	F000	STOP	FB2A	SWIO	FB37	SYN	0016
TABLE	FA28	TEST	F83F	TFORM	F9F5	TI	F736
<i>MTOM</i> UTLTY	F452	TRAP	F01E	TTS	0070	UTAB	F880
UTLTY	F9FA	VDB	F900	VDBCTL	009C	VDBDAT	009D
VDBGMK	0060	VDBK.D	009F	VDBK.S	009E	VDBMRF	0080
VDBMRR	00E2	VDBRES	00E3	VDBXCR	00E0	VDBYCF	00C0
VDBYCR	00E1	VDBZAP	0000	VDBZBE	0001	VDBZDC	0004
VDBZDD	0005	VDBZID	0003	VDBZIS	0002	WAIT	F8F4
WRTBF	FA59	ZAPPLE	F000				

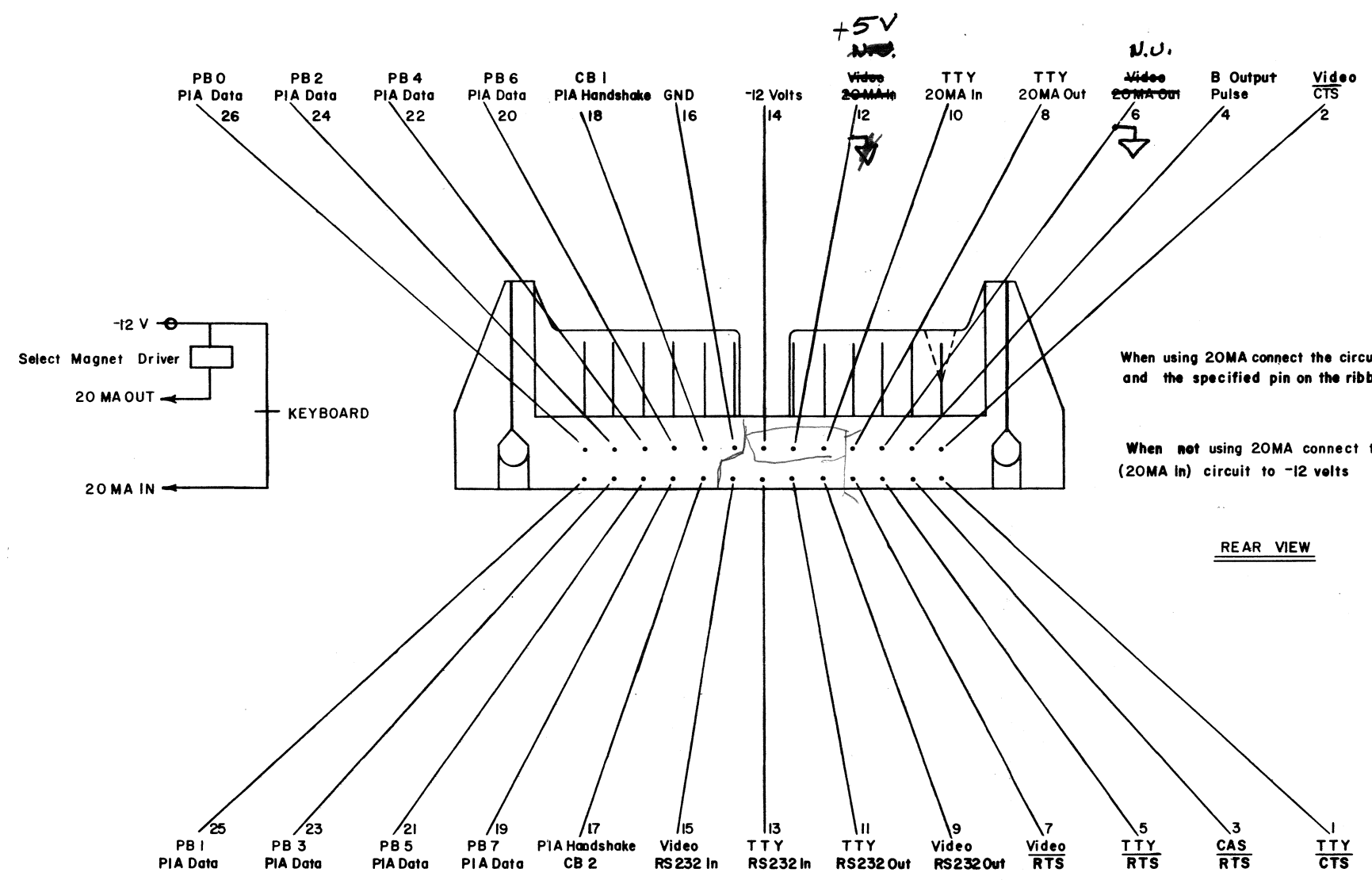
VID

SMB2 Parts List

Quantity	Description
2	SN74LS00 QUAD 2-NAND U34,U36
1	SN74LS04 HEX inverter U28
1	SN74LS08 QUAD 2-AND U30
1	SN74LS32 QUAD 2-OR U29
1	SN74LS33 QUAD 2-NOR OC buffer U27
1	SN74LS74 DUAL D-flip flop U35
1	SN74LS86 QUAD 2-XOR U38
1	SN74LS175 QUAD D-flip flop U33
4	SN74LS244 OCTAL bus driver U13,U14,U19,U20
2	SN74LS258 QUAD 2-MPX 3-5 INV U4, U5
1	TIL 113 Opto-coupler U31
1	LM 339 QUAD Analog comparator U37
1	SN75188 (1488) QUAD RS-232 driver U25
1	SN75189 (1489) QUAD RS-232 Receiver U26
1	Motorola 14411 Baud rate generator U17
1	Motorola MC6820 PIA (parallel) U18
3	Motorola MC6850 ACIA (serial) U10-U12
1	Mostek MK34038N Mask ROM U1 (or c28050M)
1	INTEL 2708 UV erasable 1024x8 ROM U2
2	INTEL 2114 Static 1024x4 RAM U6,U8 (or AMD/INTERSIL/MOTOROLA 6614)
1	4047 CMOS Multivibrator U39
1	SN74LS30 8-NAND U21
5	SN74LS138 Decoder 3 line-8 line U15,U16,U22,U23,U32
1	SN74LS139 Dual decoder 2 line-4 line U24
4	Resistor SIP 10 pin 9 resistor 4.7K ohm RN1-RN4
2	(Signal) diodes CR1,CR2
2	Resistor 24.9K 1% R4,R5
1	Resistor 100 ohm R1
1	Resistor 820 ohm R17
5	Resistor 1K R2,R9,R12,R15,R20
1	Resistor 1.2K R16
1	Resistor 2.2K R18
2	Resistor 33K R10,R19
1	Resistor 10K R3
1	Resistor 22K R8
1	Resistor 100K R11
1	Resistor 15M ohm R21
2	Resistor 4.7K ohm R13,R14
1	Resistor 10 ohm R6
1	Resistor 22 ohm R7
1	Capacitor 0.01uf 2% C1
1	Capacitor 33uf C5
9	Capacitor 4.7uf C3,C4,C6-C10,C24,C26
17	Capacitor 0.1uf C2,C11-C23,C25,C27,C28

Miscellaneous

1	uA7805C +5v Regulator 1.5 amp
1	uA7812C +12v Regulator
1	uA7905C -5v Regulator
1	uA7912C -12v Regulator
3	Dip switches 8-position SW1,SW2,SW3
108	Augat pins
1	Heatsink Wakefield 680-.5-220

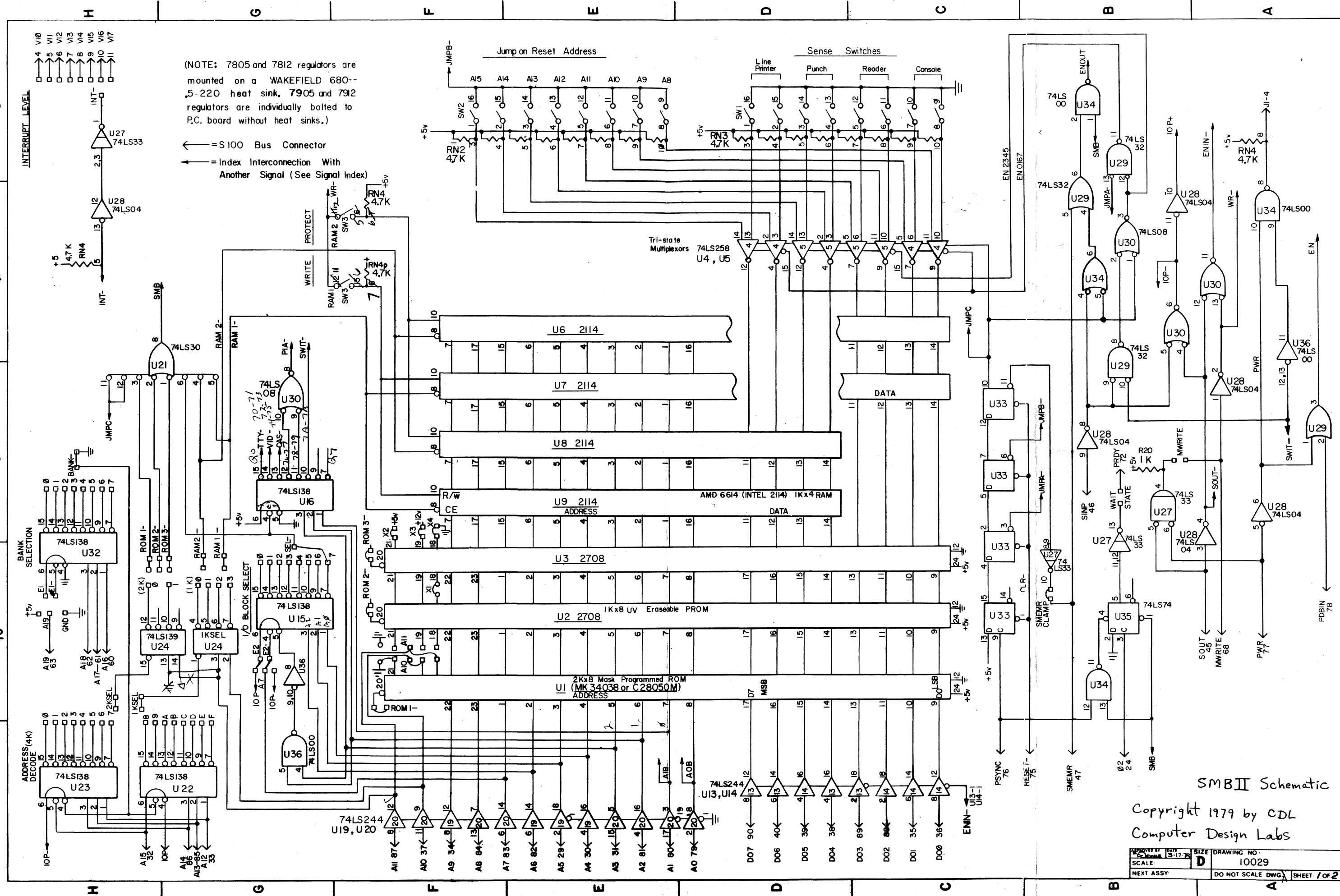


REAR VIEW

Copyright 1979 by CDL
 Computer Design Labs

TOLERANCES UNLESS OTHERWISE SPECIFIED	
FRACTIONS	DEC ANGLES
± / ± / ±	± / ± / ±
DRAWN BY: JOHN WEST	DATE: 8/15
CHECKED BY:	DATE:
APPROVED BY:	DATE: 3-10-78
SCALE: 3:1	
NEXT ASSY:	

TITLE: SMB connector	
SIZE: D	DRAWING NO: 10025
DO NOT SCALE DWG. SHEET: 1 OF 1	

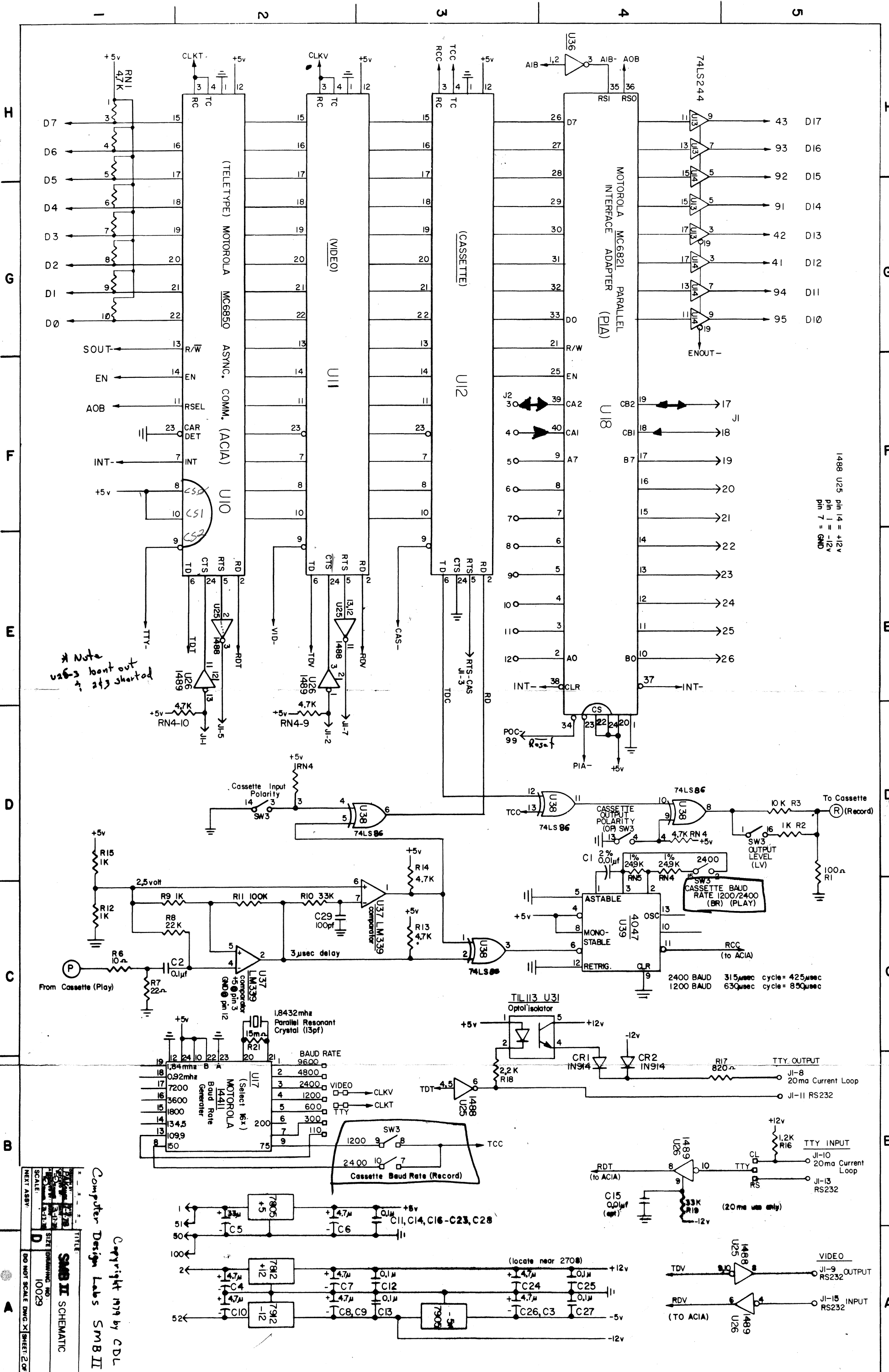


(NOTE: 7805 and 7812 regulators are mounted on a WAKEFIELD 680--5-220 heat sink, 7905 and 792 regulators are individually bolted to P.C. board without heat sinks.)

← = S100 Bus Connector
 ← = Index Interconnection With Another Signal (See Signal Index)

SMBII Schematic
 Copyright 1979 by CDL
 Computer Design Labs

DESIGNED BY	DATE	SIZE	DRAWING NO.
SCALE:	D	10029	
NEXT ASSY:	DO NOT SCALE DWG.	SHEET 1 OF 2	



1488 U25 pin 14 = +12v
 pin 1 = -12v
 pin 7 = GND

* Note
 U26-3 bent out
 + 249 shorted

Computer Design Labs SMB II
 Copyright 1979 by CDL
 TITLE: SMB II SCHEMATIC
 SIZE: 11.5" x 17.5"
 SCALE: 1:1
 DATE: 10/29
 DO NOT SCALE DIM. X SHEET: 2 OF 2

7905 +5
 7812 +12
 7912 -12
 7908 -5
 7805 +5
 7812 +12
 7912 -12
 7908 -5

2400 BAUD 315µsec cycle = 425µsec
 1200 BAUD 630µsec cycle = 850µsec

TTY OUTPUT
 JI-8 20ma Current Loop
 JI-11 RS232

TTY INPUT
 JI-10 20ma Current Loop
 JI-13 RS232

VIDEO
 TDV JI-9 OUTPUT RS232
 RDV JI-15 INPUT RS232 (TO ACIA)

CASSETTE BAUD RATE 1200/2400 (BR) (PLAY)

POC 99
 R₀₅ 20k