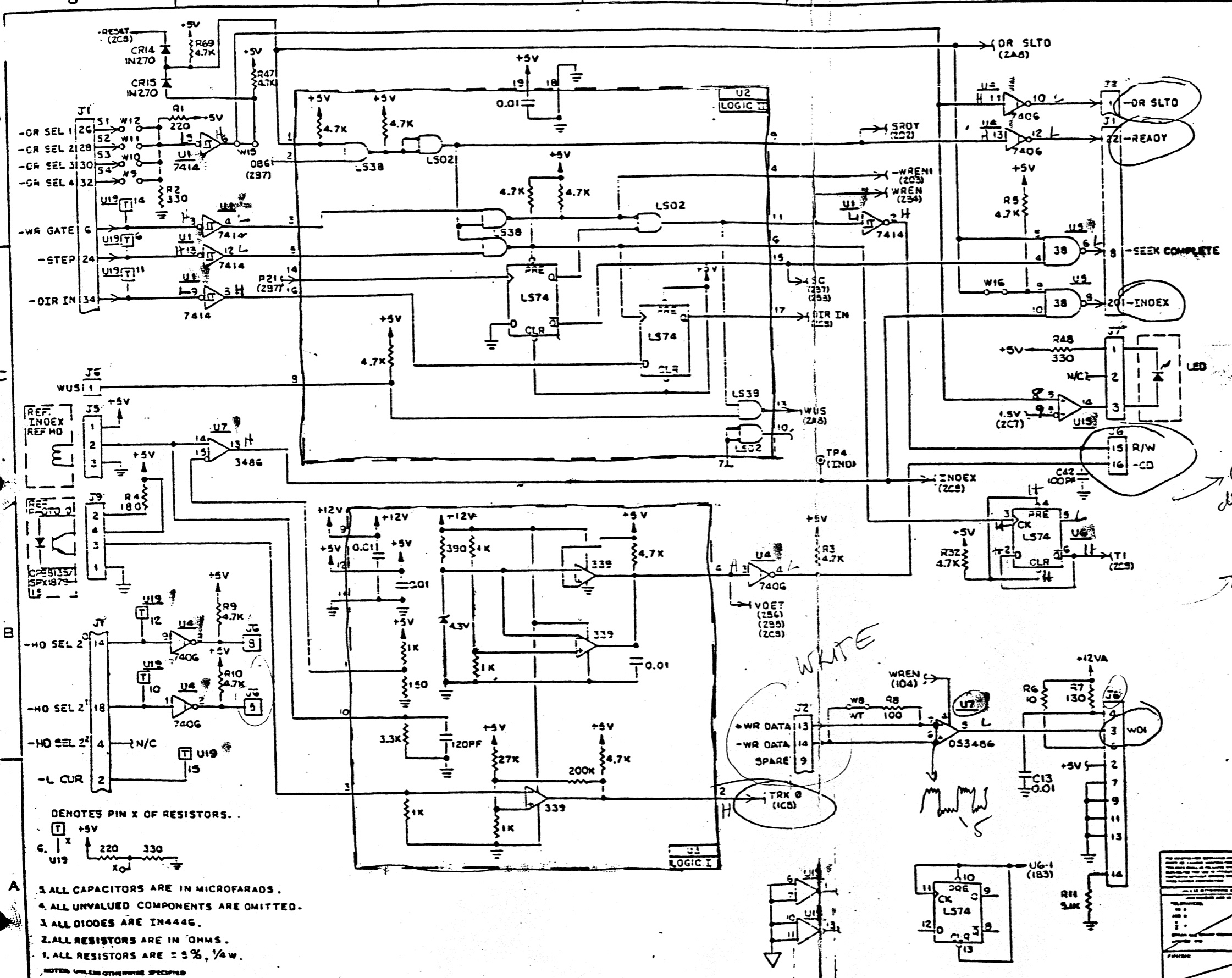


REV	DESCRIPTION	DATE	BY
A	RELEASE TO 6000 PER E.O. 15522		
B	REVISED PER E.O. 15522		
C	REVISED PER E.O. 15522		
D	REVISED PER E.O. 15522		
E	REVISED PER E.O. 15522		
F	REVISED PER E.O. 15522		
G	REVISED PER E.O. 15522		
H	REVISED PER E.O. 15522		
I	REVISED PER E.O. 15522		



Handwritten notes and annotations on the right side of the schematic:

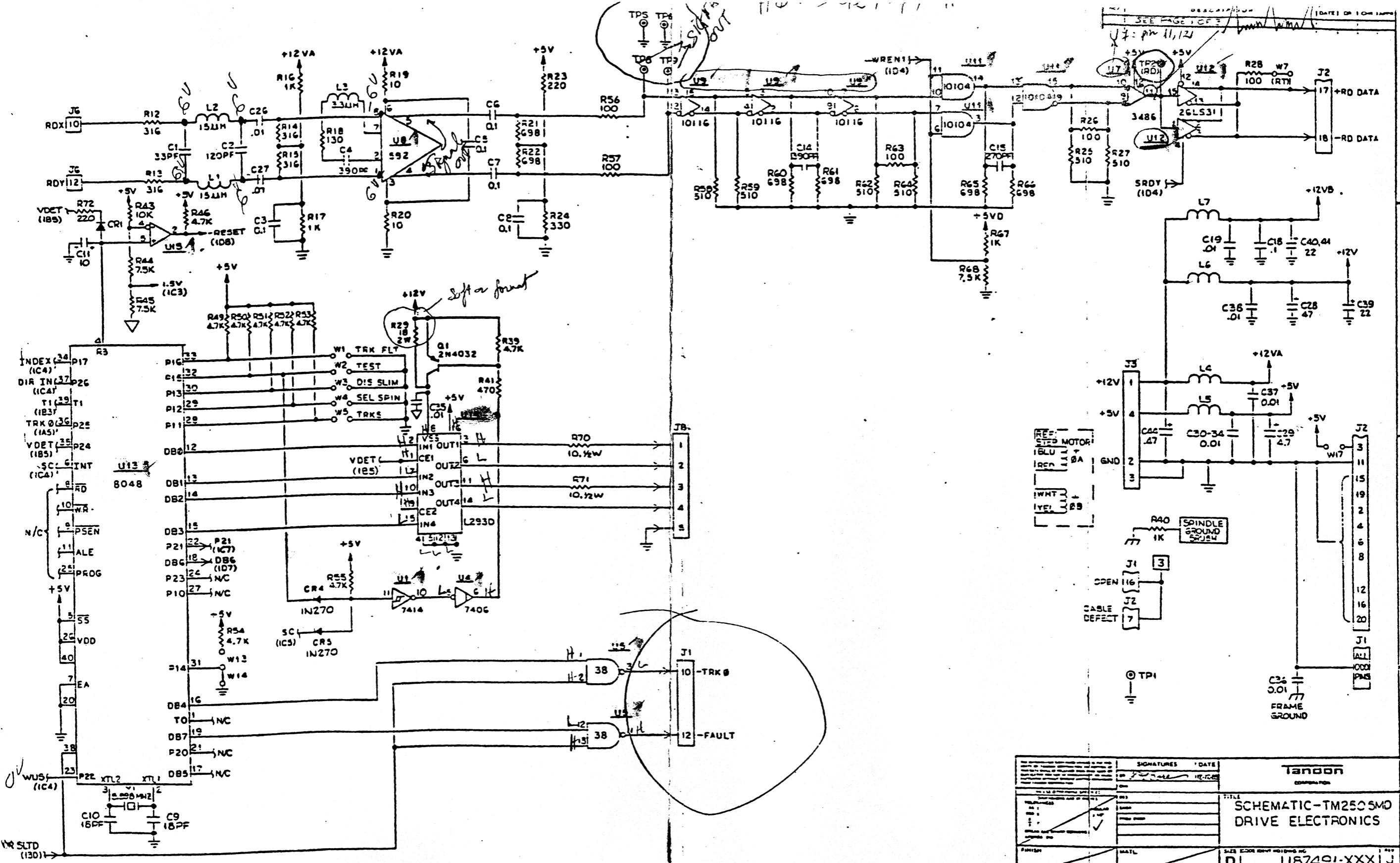
- A vertical list of values: 16, 15, 13, 10, 9, 7, 5, 3, 2, 10.
- Arrows pointing to the list with the text "depend on select".
- A box containing the equations: $4 + 6 \rightarrow 12V$ and $10 + 12 \rightarrow 0V$.
- Other handwritten notes include "depend" and "5V".

- 1. ALL RESISTORS ARE $\pm 5\%$, $\frac{1}{4}W$.
- 2. ALL RESISTORS ARE IN OHMS.
- 3. ALL DIODES ARE IN444G.
- 4. ALL UNVALUED COMPONENTS ARE OMITTED.
- 5. ALL CAPACITORS ARE IN MICROFARADS.

SIGNATURES		DATE
TITLE		
SCHEMATIC - TM250SM0		
DRIVE ELECTRONICS		
DATE	SCALE	
DI	1187491-XXX	J

187490-001 TM250
NEXT ASSY: FIRST USE
APPLICATION

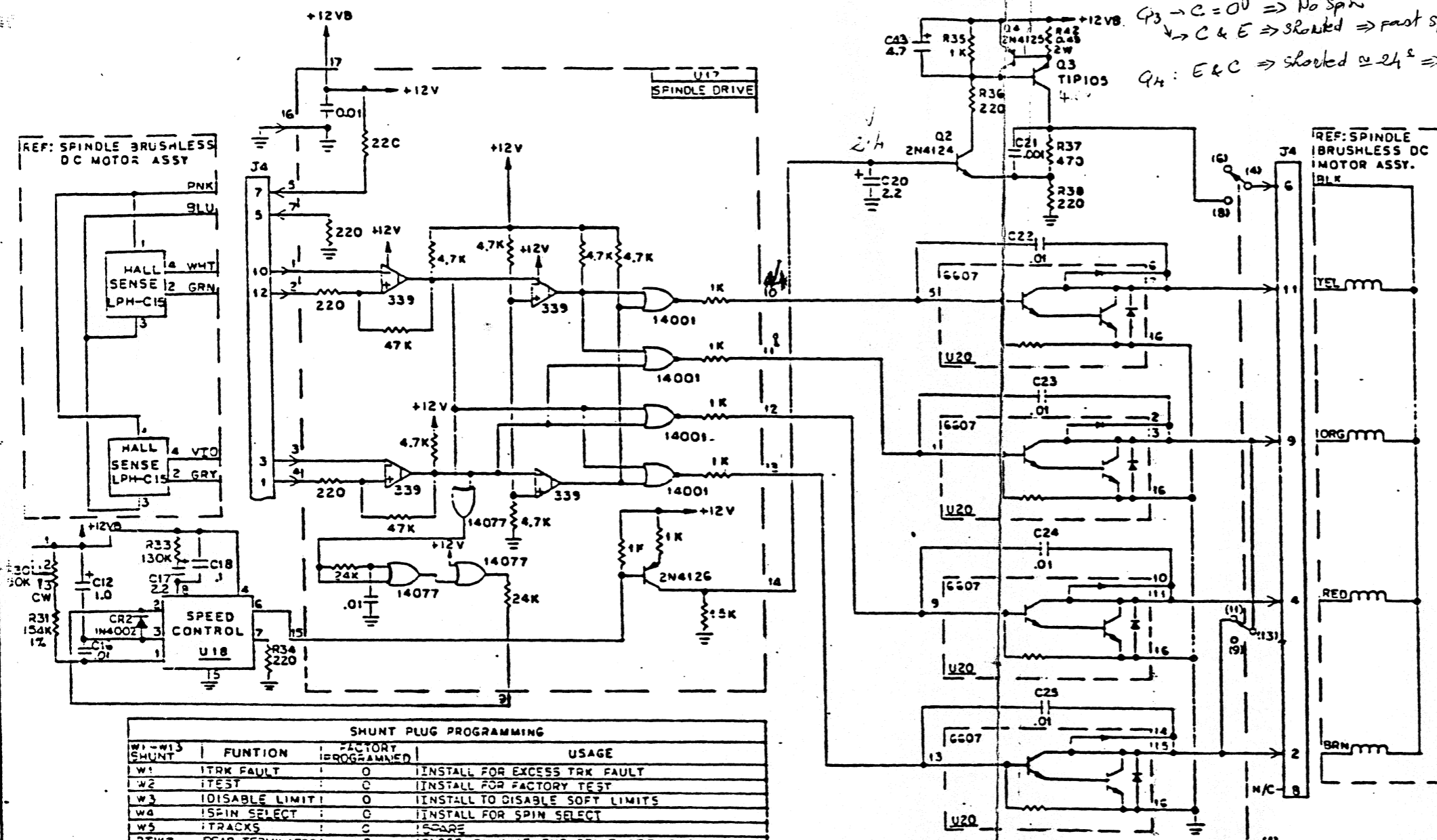
Tandon
CORPORATION



TP8
 TP9
 TP6
 TP4
 TP5
 TP7
 TP3
 TP1
 TP2
 TP10
 TP11
 TP12
 TP13
 TP14
 TP15
 TP16
 TP17
 TP18
 TP19
 TP20
 TP21
 TP22
 TP23
 TP24
 TP25
 TP26
 TP27
 TP28
 TP29
 TP30
 TP31
 TP32
 TP33
 TP34
 TP35
 TP36
 TP37
 TP38
 TP39
 TP40
 TP41
 TP42
 TP43
 TP44
 TP45
 TP46
 TP47
 TP48
 TP49
 TP50
 TP51
 TP52
 TP53
 TP54
 TP55
 TP56
 TP57
 TP58
 TP59
 TP60
 TP61
 TP62
 TP63
 TP64
 TP65
 TP66
 TP67
 TP68
 TP69
 TP70
 TP71
 TP72
 TP73
 TP74
 TP75
 TP76
 TP77
 TP78
 TP79
 TP80
 TP81
 TP82
 TP83
 TP84
 TP85
 TP86
 TP87
 TP88
 TP89
 TP90
 TP91
 TP92
 TP93
 TP94
 TP95
 TP96
 TP97
 TP98
 TP99
 TP100

WREN1 (104)
 W7 (100) (RT)
 W1 (TRK FLT)
 W2 (TEST)
 W3 (D/S SLIM)
 W4 (SEL SPIN)
 W5 (TRKS)
 W6 (BA)
 W7 (RT)
 W8 (SEL SPIN)
 W9 (TRKS)
 W10 (BA)
 W11 (RT)
 W12 (SEL SPIN)
 W13 (TRKS)
 W14 (BA)
 W15 (RT)
 W16 (SEL SPIN)
 W17 (TRKS)
 W18 (BA)
 W19 (RT)
 W20 (SEL SPIN)
 W21 (TRKS)
 W22 (BA)
 W23 (RT)
 W24 (SEL SPIN)
 W25 (TRKS)
 W26 (BA)
 W27 (RT)
 W28 (SEL SPIN)
 W29 (TRKS)
 W30 (BA)
 W31 (RT)
 W32 (SEL SPIN)
 W33 (TRKS)
 W34 (BA)
 W35 (RT)
 W36 (SEL SPIN)
 W37 (TRKS)
 W38 (BA)
 W39 (RT)
 W40 (SEL SPIN)
 W41 (TRKS)
 W42 (BA)
 W43 (RT)
 W44 (SEL SPIN)
 W45 (TRKS)
 W46 (BA)
 W47 (RT)
 W48 (SEL SPIN)
 W49 (TRKS)
 W50 (BA)
 W51 (RT)
 W52 (SEL SPIN)
 W53 (TRKS)
 W54 (BA)
 W55 (RT)
 W56 (SEL SPIN)
 W57 (TRKS)
 W58 (BA)
 W59 (RT)
 W60 (SEL SPIN)
 W61 (TRKS)
 W62 (BA)
 W63 (RT)
 W64 (SEL SPIN)
 W65 (TRKS)
 W66 (BA)
 W67 (RT)
 W68 (SEL SPIN)
 W69 (TRKS)
 W70 (BA)
 W71 (RT)
 W72 (SEL SPIN)
 W73 (TRKS)
 W74 (BA)
 W75 (RT)
 W76 (SEL SPIN)
 W77 (TRKS)
 W78 (BA)
 W79 (RT)
 W80 (SEL SPIN)
 W81 (TRKS)
 W82 (BA)
 W83 (RT)
 W84 (SEL SPIN)
 W85 (TRKS)
 W86 (BA)
 W87 (RT)
 W88 (SEL SPIN)
 W89 (TRKS)
 W90 (BA)
 W91 (RT)
 W92 (SEL SPIN)
 W93 (TRKS)
 W94 (BA)
 W95 (RT)
 W96 (SEL SPIN)
 W97 (TRKS)
 W98 (BA)
 W99 (RT)
 W100 (SEL SPIN)

SIGNATURES		DATE
DESIGNED BY: [Signature]		10/11/74
CHECKED BY: [Signature]		
DRAWN BY: [Signature]		
APP'D BY: [Signature]		
TANDEM		
SCHEMATIC-TM250 SMD DRIVE ELECTRONICS		
D1 1187491-XXX		



I.C. LOCATION AND VOLTAGE CHART				
LOCATION	TYPE	+5V	+12V	GROUND
U1	74LS14	14		7
U2	210533 HYBRID T.C.	19		18
U3	210532 HYBRID T.C.	8	5	7
U4	7406	14		7
U5	7438	14		7
U6	74574	14		7
U7	053486	16		8
U8	592		6	3
U9	10116	1,16		8
U10				
U11	10104	1,16		8
U12	26LS31	16		8
U13	8048	16,40		20
U14	L293	16		8
U15	339		3	12
U17	210533 HYBRID T.C.		15	14
U18	M51970L		4	5
U19	220330 TERM PAK	16		8
U20	6607			16

SHUNT PLUG PROGRAMMING			
W1-W13 SHUNT	FUNCTION	FACTORY PROGRAMMED	USAGE
W1	TRK FAULT	0	INSTALL FOR EXCESS TRK FAULT
W2	TEST	0	INSTALL FOR FACTORY TEST
W3	DISABLE LIMIT	0	INSTALL TO DISABLE SOFT LIMITS
W4	SPIN SELECT	0	INSTALL FOR SPIN SELECT
W5	TRACKS	0	SCORE
RTW7	READ TERMINATOR	I	CLOSE ONLY AT END DRIVE OF DAIST/CHAIN DATA
WTW8	WRITE TERMINATOR	I	CLOSE FOR RADIAL DATA
S4W9	IDRIVE SELECT 4	0	INSTALL 1 OF 4 PLUGS ONLY
S3W10	IDRIVE SELECT 3	0	PLUG CORRESPONDS TO
S2W11	IDRIVE SELECT 2	0	DRIVE ADDRESS
S1W12	IDRIVE SELECT 1	0	
W14		I	INSTALL FOR NO BACKLASH
W13		0	INSTALL FOR BACKLASH
W15	IDRIVE SELECT	I	OPEN-ENABLES DRIVE TO CONTROLLER
W16	INDEX		LINES WHEN NOT SELECTED
W17	+5V TO J2-3	0	
U19	TERMINATOR PAK		

0 = OMIT
I = INSTALL

REFERENCE DESIGNATORS	
LAST USED	UNUSED
C44	
CR15	
J9	
L5	
Q4	
Q72	
RP1	
TP9	TP3
U20	
W17	WG
X1	

SIGNATURES | DATE
 Tandon
 SCHEMATIC-TM250 SMD DRIVE ELECTRONICS
 SIZE: 1187491-XXX
 SCALE: 1:1

NOTES UNLESS OTHERWISE SPECIFIED