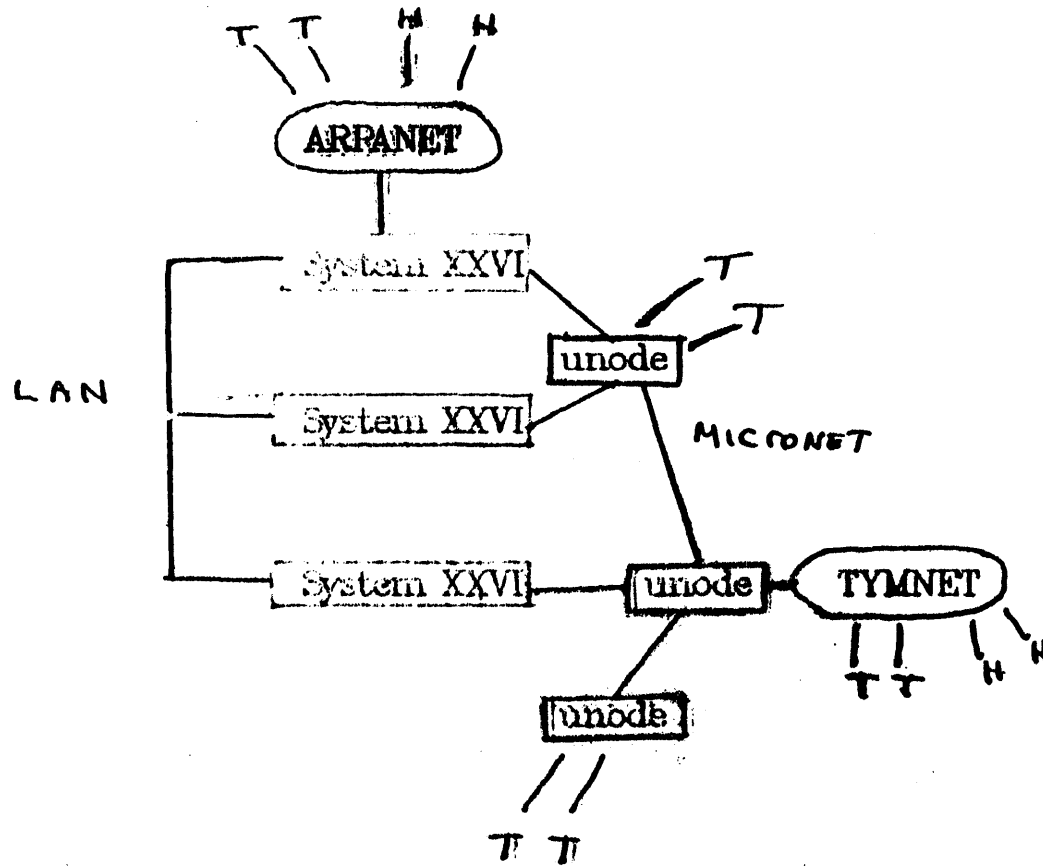




**TYMSHARE, INC.**  
OFFICE AUTOMATION DIVISION





**TYMSHARE, INC.**  
OFFICE AUTOMATION DIVISION

## NETWORKS

ARPANET

- \* For government; medium speed; terminals & hosts

TYMNET

- \* For anyone; very large, international; terminals & hosts

Local area net

- \* Very high speed; local only; host connections

MICRONET

- \* Medium speed; limited size; terminals and hosts
- \* Local and lease lines



**TYMSHARE, INC.**  
OFFICE AUTOMATION DIVISION

## **TYMCOM 20**

- \* Operating System environment with different modes
- \* Will run on SYSTEM XXVI and DEC KL
- \* First mode will be TOPS 20 compatible
- \* Later UNIX mode is a possibility
- \* Only in beginning stages
- \* Talking to DEC
- \* TCP/IP will run under TOPS 20 mode



**TYMSHARE, INC.**  
OFFICE AUTOMATION DIVISION

### **TECHNICAL SPECIFICATIONS OF SYSTEM XXVI**

- \* 4 mega-words, 36 bits/word, MOS memory
- \* One standard computer rack  
    plus one or more I/O racks
- \* Variety of Disk/Tape options
- \* Standard 110 VAC
- \* Separate, integrated diagnostic microcomputer  
    with remote access



**TYMSHARE, INC.**  
OFFICE AUTOMATION DIVISION

## SYSTEM XXVI

- \*\* CPU developed by Ronly, Inc.**
- \*\* Emulates the DEC KA machine**
- \*\* TYMSHARE procures and integrates peripherals**
- \*\* TYMSHARE maintains the hardware**
- \*\* Runs TENEX compatible O. S.**
- \*\* Both ARPANET and TYMNET interfaces**



**TYMSHARE, INC.**  
OFFICE AUTOMATION DIVISION

### **NUMBERS**

**\*\* 11 machines**

**\*\* 3 networks**

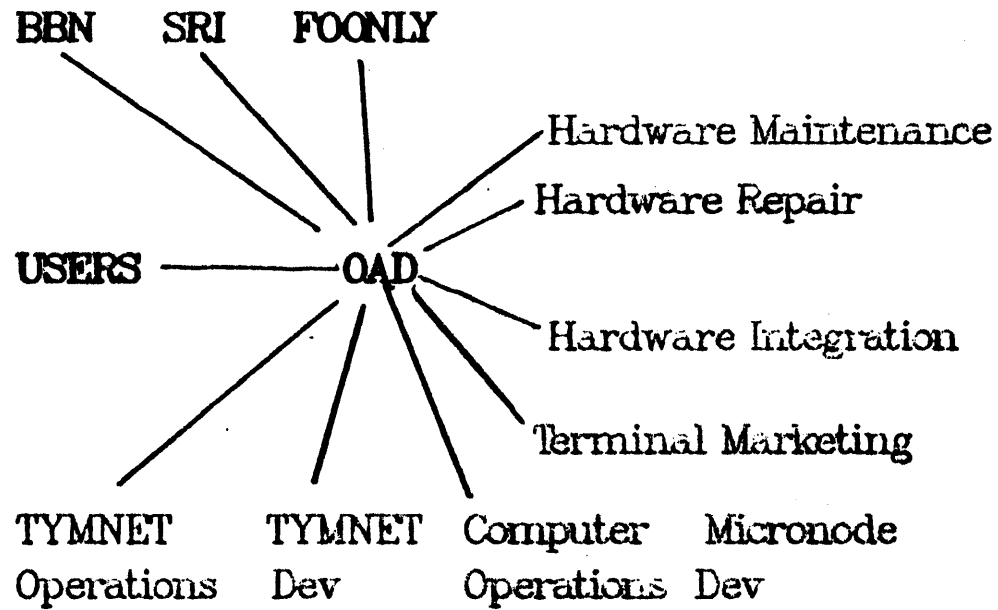
**\*\* 1145 & 1155 hours uptime**

**\*\* over 1100 identified real users**



**TYMSHARE, INC.**  
OFFICE AUTOMATION DIVISION

### INTERFACE CHART



1	2	3	4	5	6
Hardware	Name	Anet	Tnet	Location	Customer
DEC KI	OFFICE-1	43	212	Bubb buildg. C	Commerical
DEC KI	OFFICE-2	107	216	Bubb buildg. C	Govt
SYS XXV	OFFICE-3	171	897	Bubb lab room	ALNSA
SYS XXV	OFFICE-4	*	148	VG2 second floor	OAD
SYS XXV	OFFICE-5	1/93	185	Bubb buildg. A	OAD-DEV
SYS XXV	OFFICE-6	*	896	Bubb buildg. A	TYM
SYS XXV	OFFICE-7	235	895	Bubb lab room	CECOM
DEC KA	OFFICE-8	0/93	236	Bubb buildg. C	ALNSA
SYS XXVI	OFFICE-9	*	818	Nt. View - Poorly	Test
SYS XXVI	OFFICE-10	*	242	VG2 second floor	OAD-OS
SYS XXVI	OFFICE-11	*	575	VG2 first floor	OAD
SYS XXV	NIC	0/73	*	BRI-NIC	SRI
SYS XXVI	9 additional on order				





**TYMSHARE, INC.**  
OFFICE AUTOMATION DIVISION

## T & O RESPONSIBILITIES

- \* Contracts administration
- \* Operating Systems dev. and maint.
- \* Utility software technical support
- \* Equipment technical support
- \* FEEDBACK
- \* Operational coordination and support
- \* Propagation/distribution of software
- \* Quality assurance of new hardware



**TYMSHARE, INC.**  
OFFICE AUTOMATION DIVISION

**TECHNOLOGY AND OPERATIONS DEPARTMENT**

**Sherril Blote      Ellen Carter**

**Phil French      Steve Kudlak**

**Robert Lieberman      Bonny Mosher**

**Israel Torres      Pam Vittum**