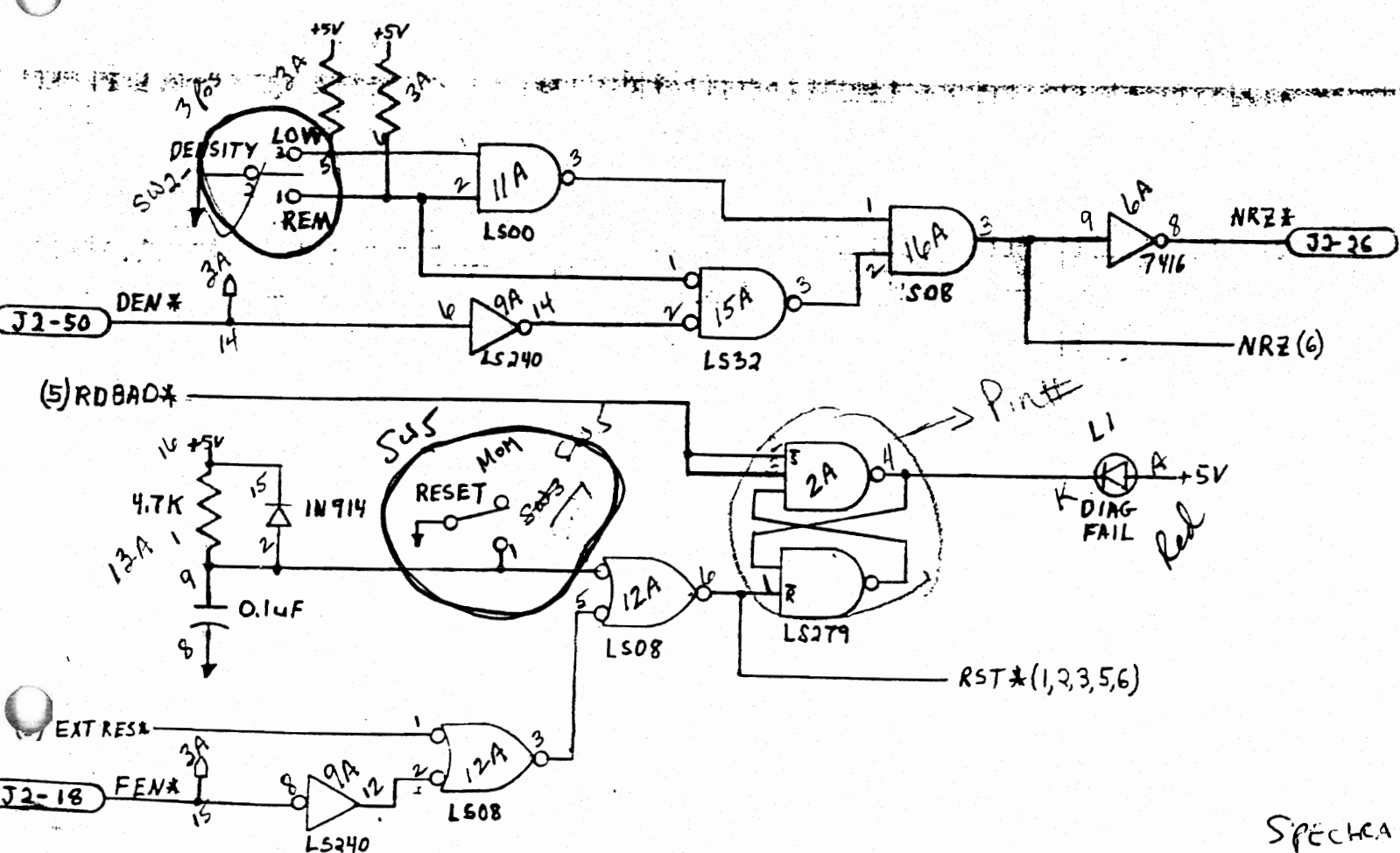
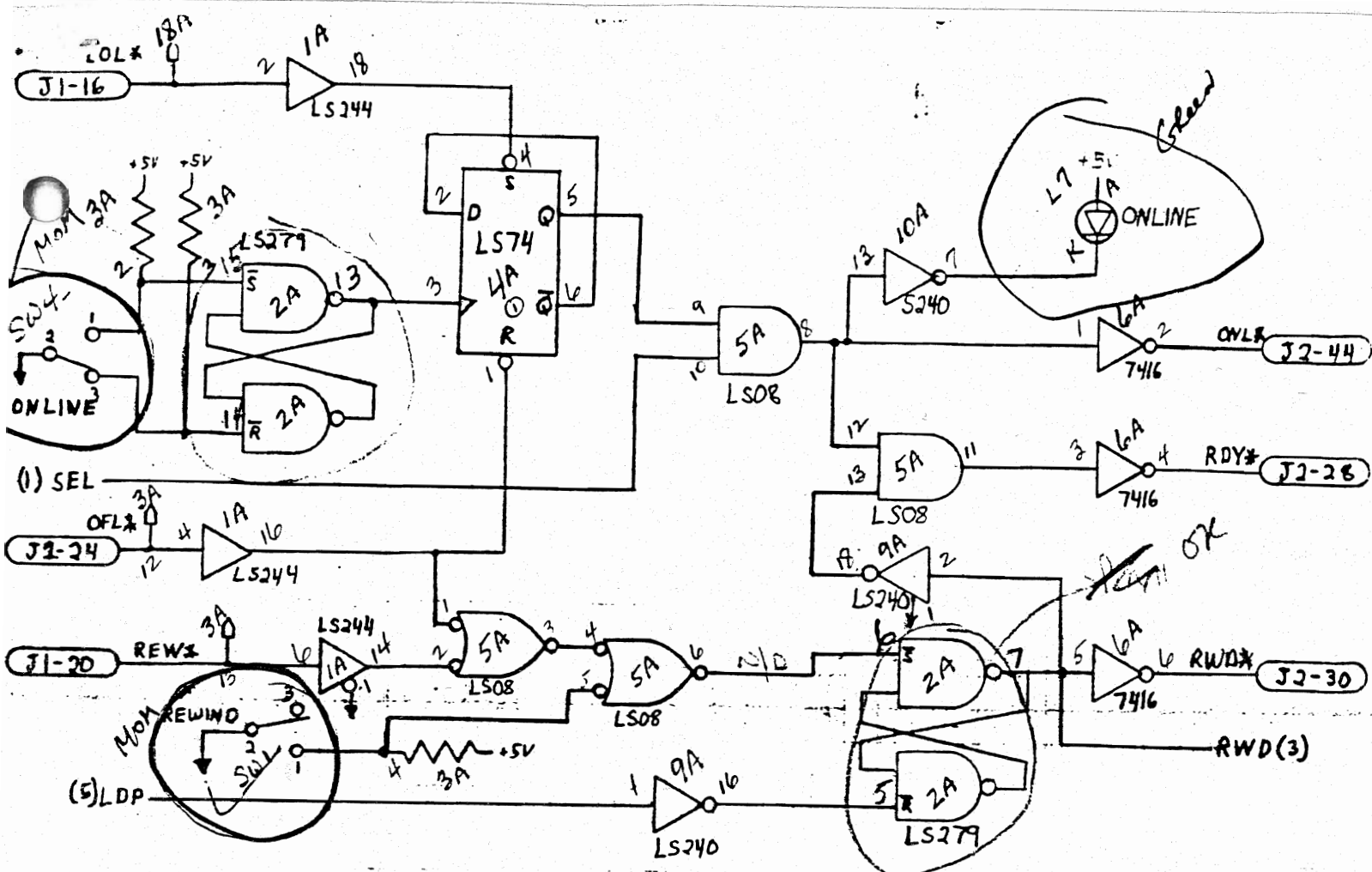
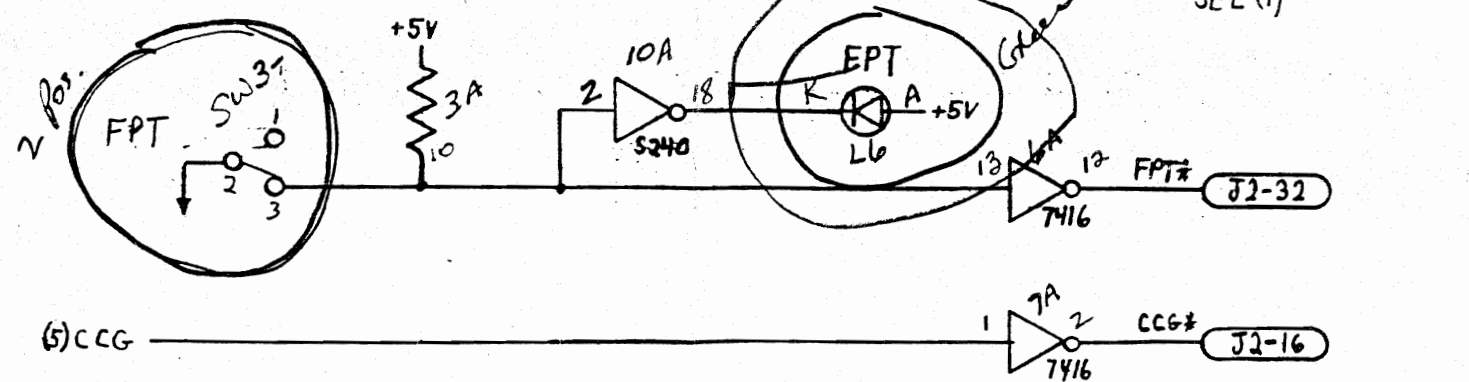
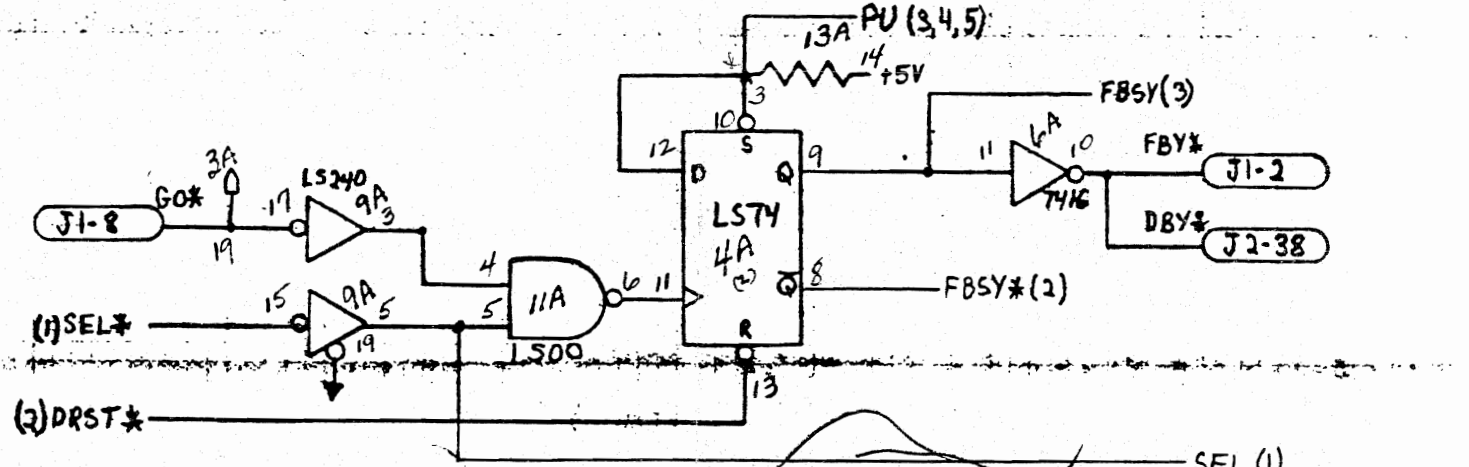
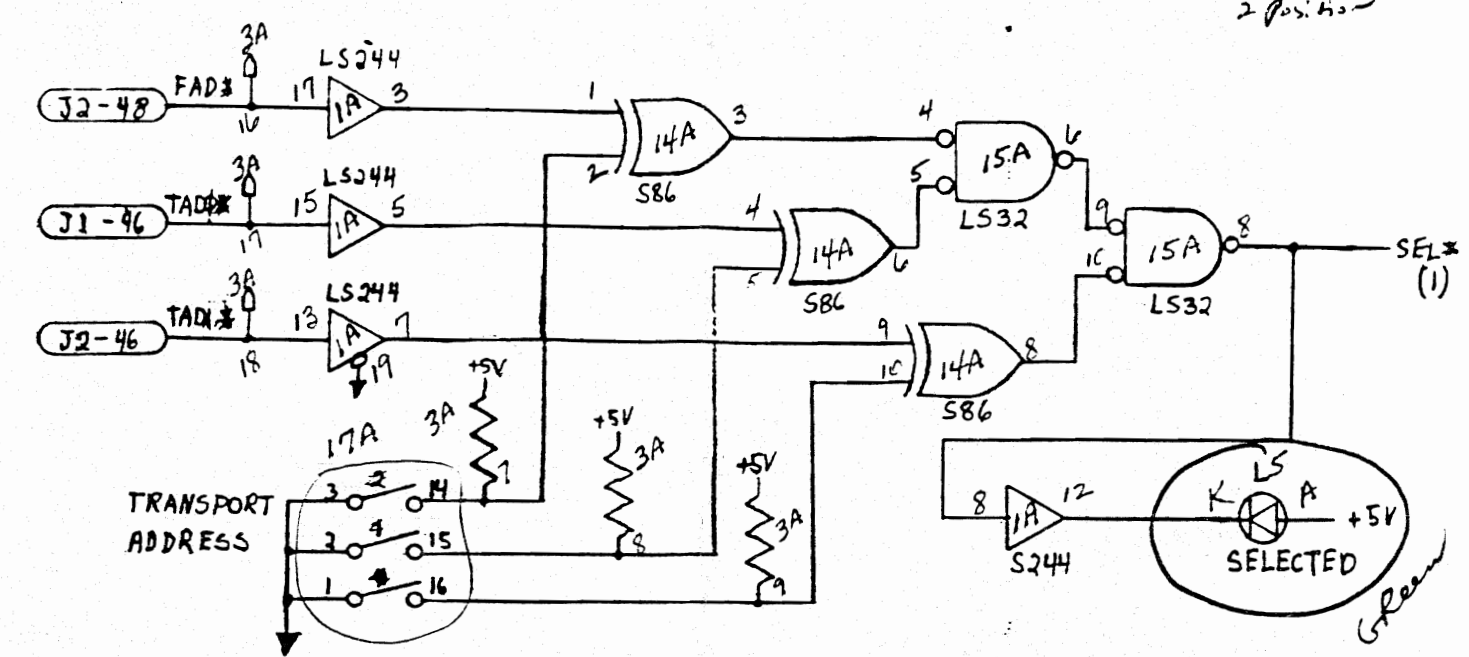


A					B					C					D					E					F				
5	4	3	2	1	5	4	3	2	1	5	4	3	2	1	5	4	3	2	1	5	4	3	2	1	5	4	3	2	1
LS 08 Full	LS 74 1,2	✓ 1K SIP 220/330 (F.R.)	LS 279 ✓	LS 244 ✓		(4B) ✓ 1Kx8		(2B) ✓ 1Kx8			(4C) ✓ 1Kx8	LS 273 ✓				(4D) ✓	(2D)		4164-15 ✓	4164-15 ✓	4164-15 ✓	4164-15 ✓	4164-15 ✓					4164 +5-8 G-16	
S 240 LS 1,2,3,4	LS 240 Full ✓	7416 1,	7416 Full	7416 Full		(9B) ✓ 1Kx8		(7B) ✓ 1Kx8		LS 32 1,2,4	20 MHz OSC	S 139 ✓			40 PIN	40 PIN			4164-15 ✓	4164-15 ✓	4164-15 ✓	4164-15 ✓	4164-15 ✓						
LS 32 4,3 1,2	S 86 4,3 1,2	✓ Header 16 Pin V-16 G-S	LS 08 4,3 1,2	LS 00 3 1,2						LS 194 ✓	LS 273 ✓	LS 174 ✓	LS 273 ✓	11	(14D)	(12D)			14 1-5 ✓	13 504	12 4164-15 ✓	11 4164-15 ✓							
LS 240 1,2,3,4	LS 240 Full ✓	220/330 F.R.	SW 8 1,2	SO 8 1,2		2911	2911	2911	LS 244 ✓	LS 373 ✓	LS 373 ✓	LS 374 ✓	LS 374 ✓		40 PIN	40 PIN													
LS 373 ✓	LS 374 ✓	LS 374 ✓	S 280 6 200 300	LS 74	S 251 ✓	S 251 ✓	S 86 1,	S 174 ✓	LS 244 ✓	LS 174 ✓	7416	LS 174 ✓	7416	21	LS 174 ✓	S 280	S 280	LS 374 ✓	LS 374 ✓										

SW1
109
SW2
W103
3 pos
SW3
109
2 pos
101
102
103
104
105
106
107
108
109
110
111
112
113
114
115
116
117
118
119
120

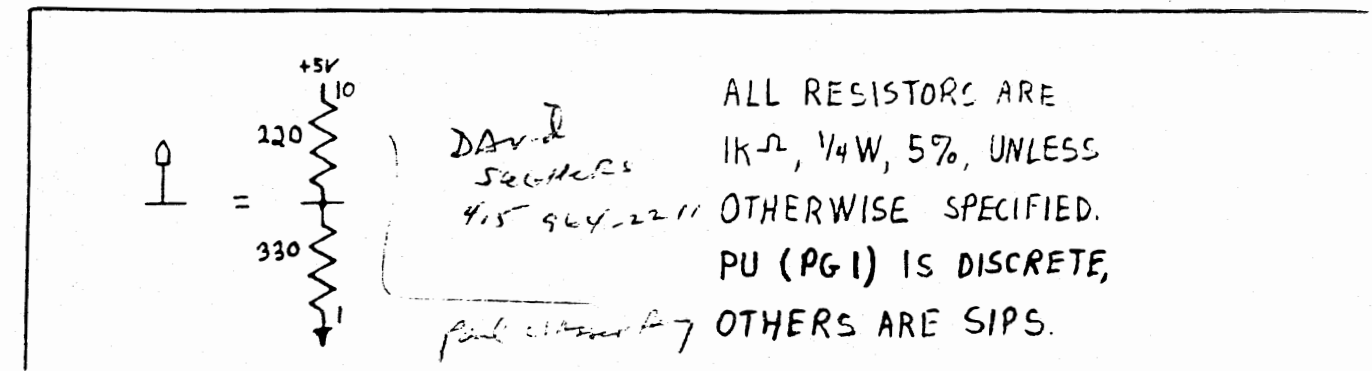


LED - Red or Green
Switch - MoY, 3 position (1)
2 position

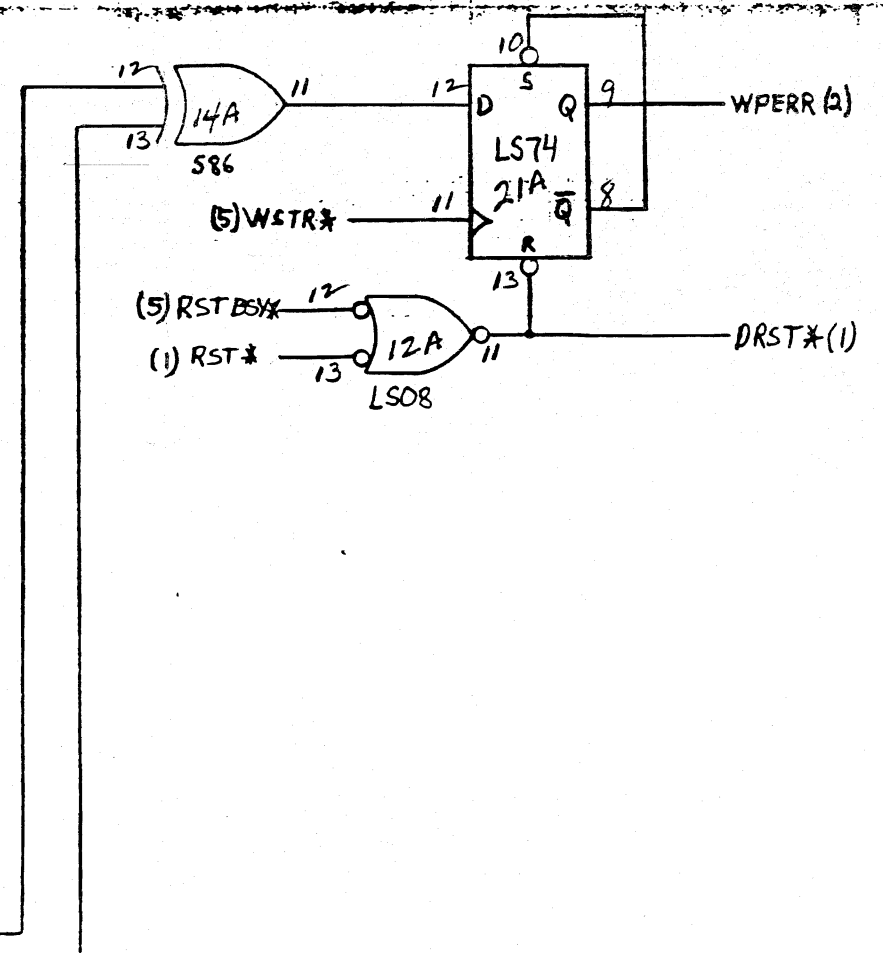
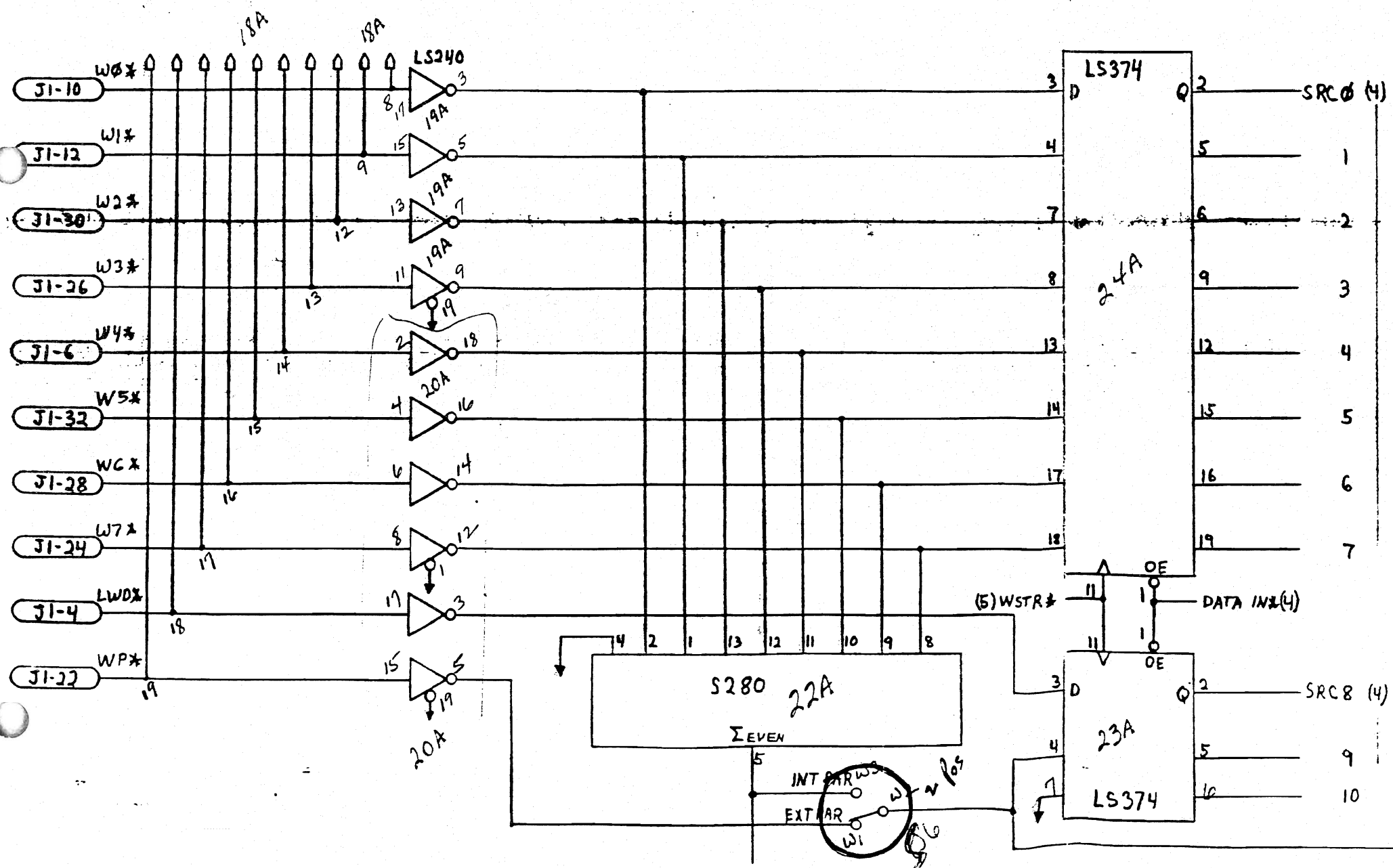
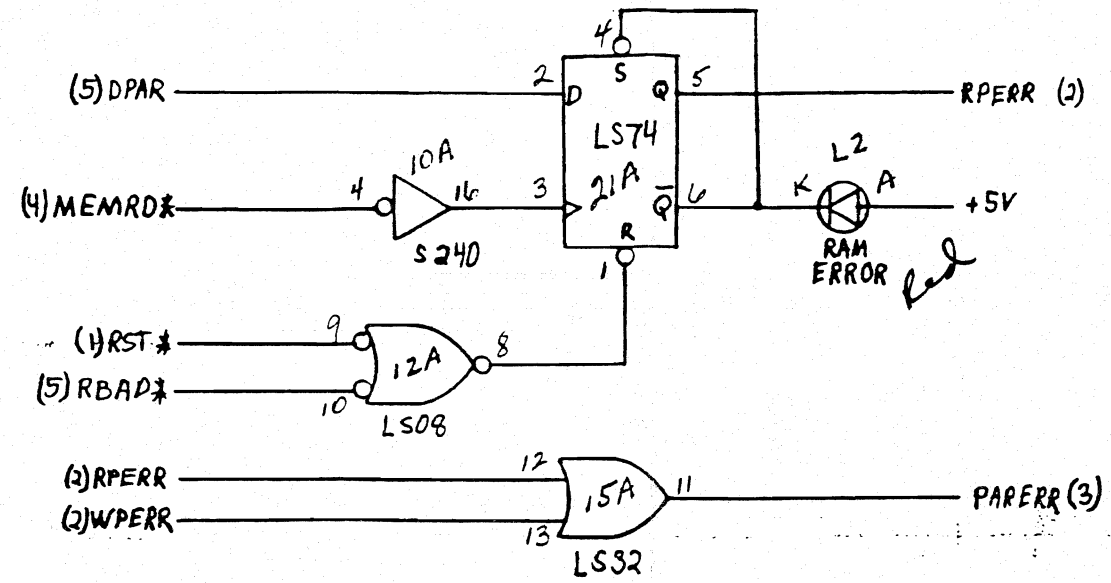
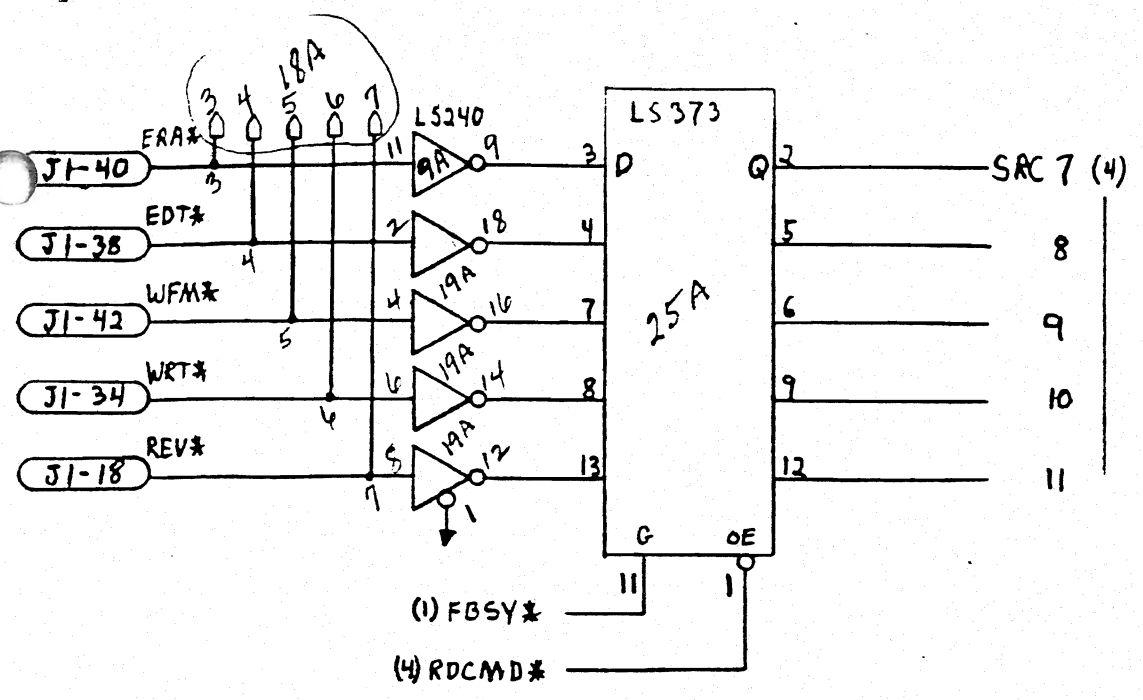


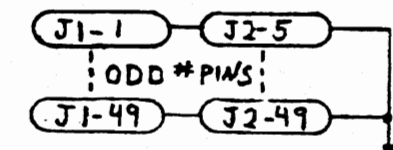
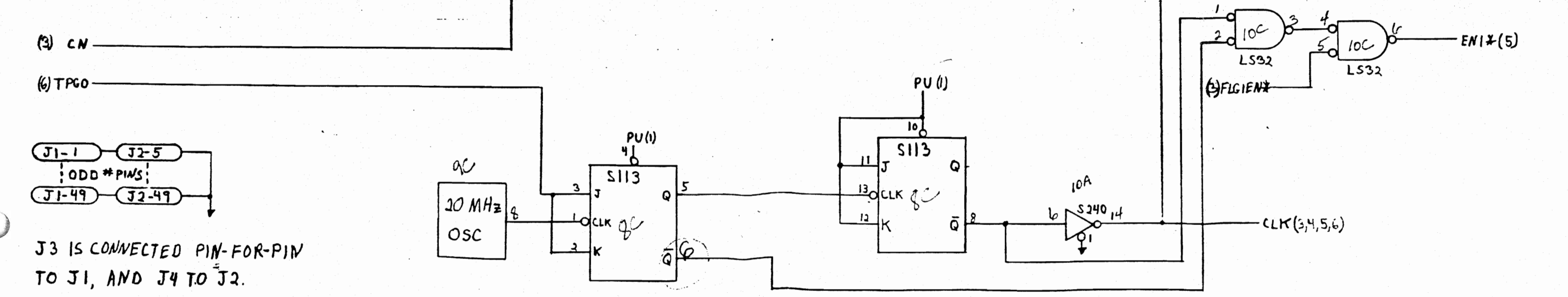
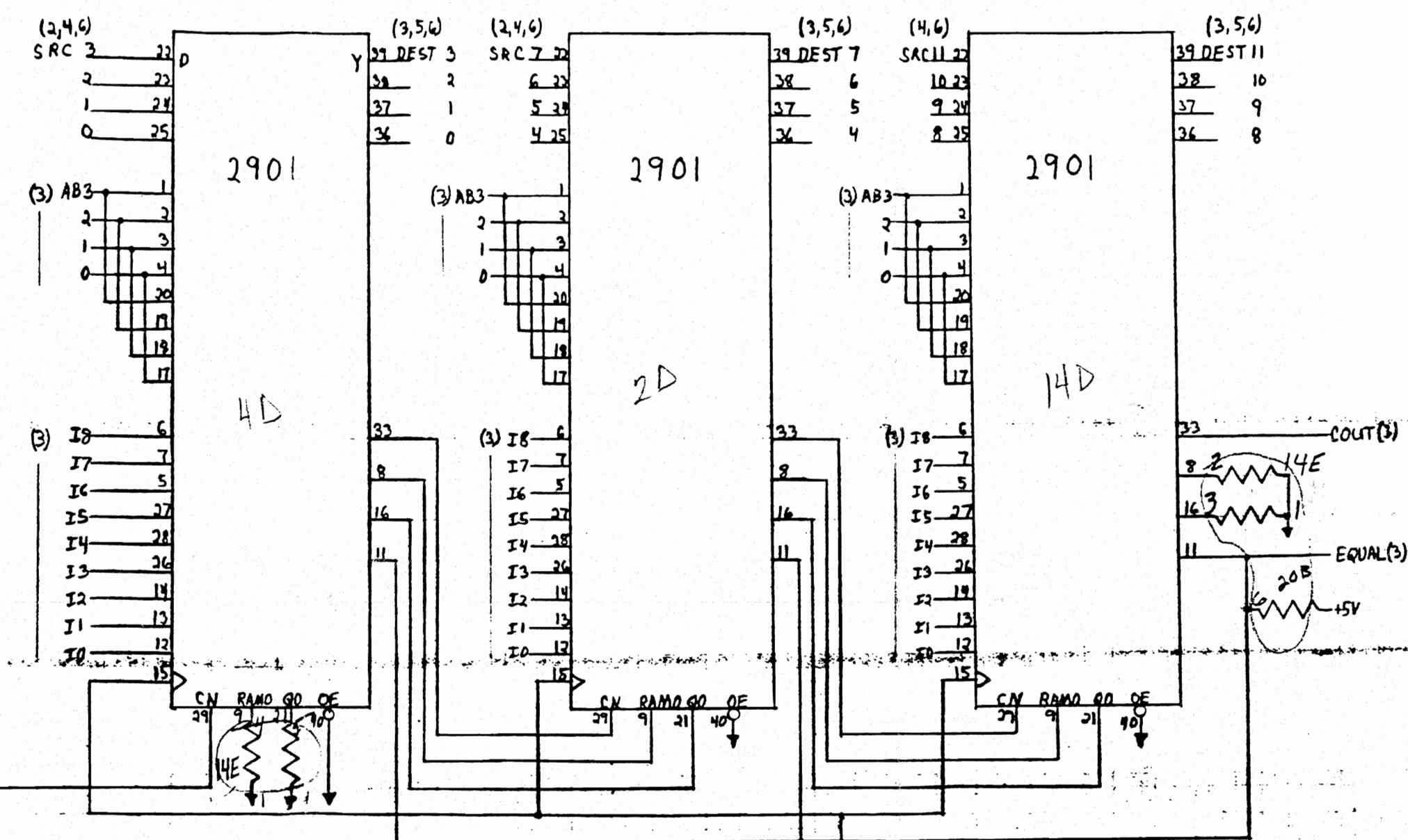
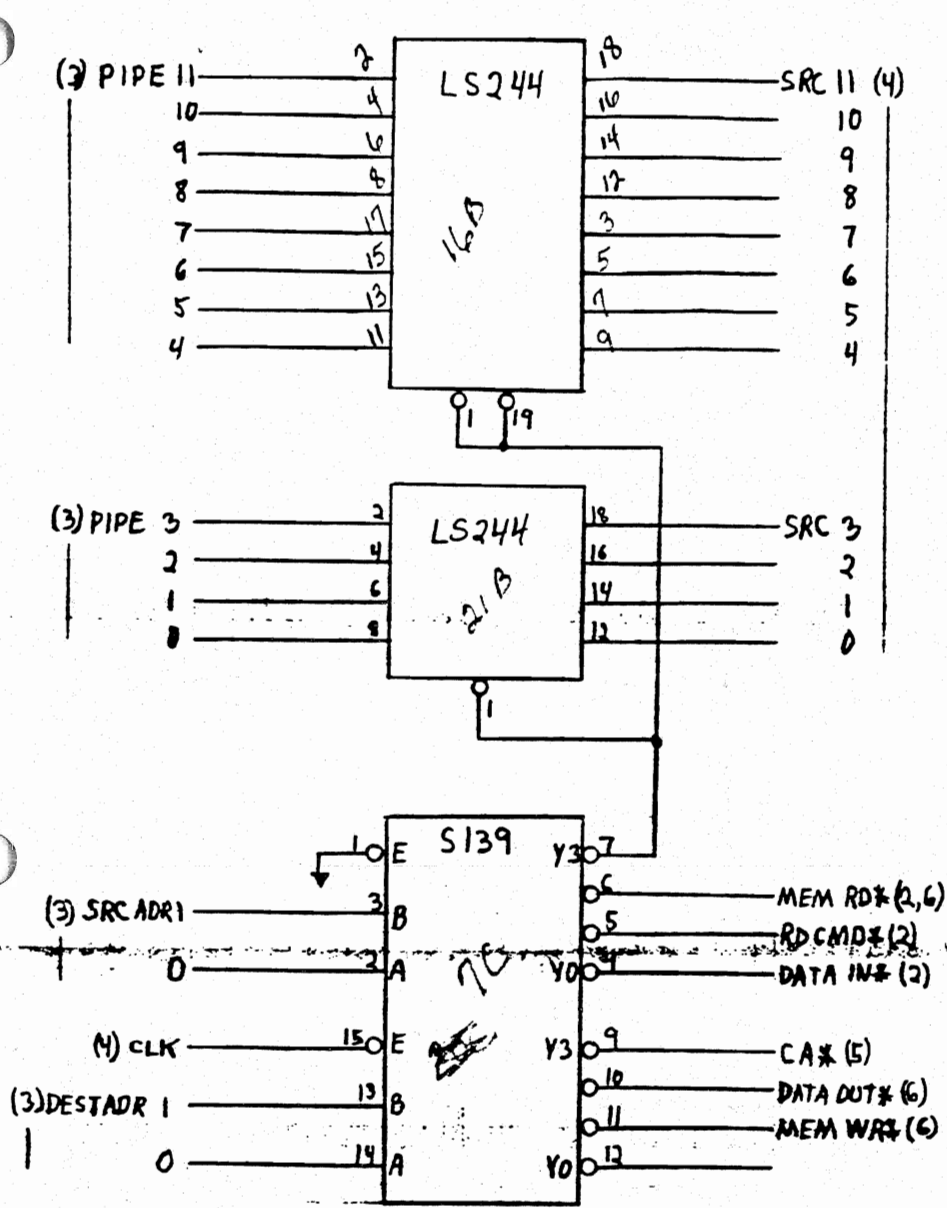
91, 7270
new parts

SPECKA LOGIC
TAPE WORK



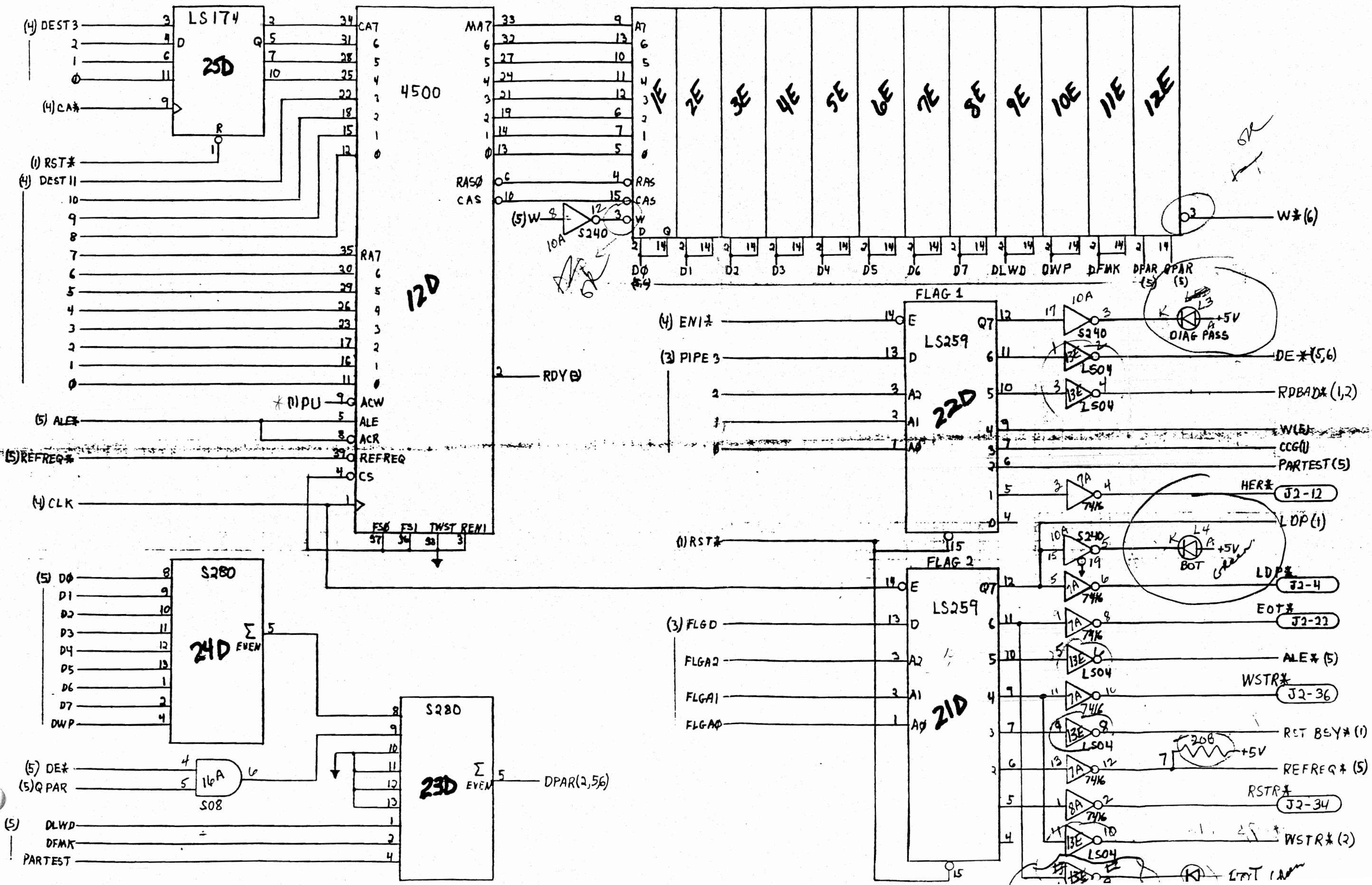
ALL RESISTORS ARE
1K- Ω , 1/4W, 5%, UNLESS
OTHERWISE SPECIFIED.
PU (PG 1) IS DISCRETE,
OTHERS ARE SIPS.

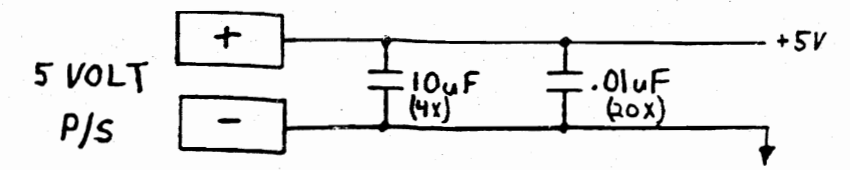
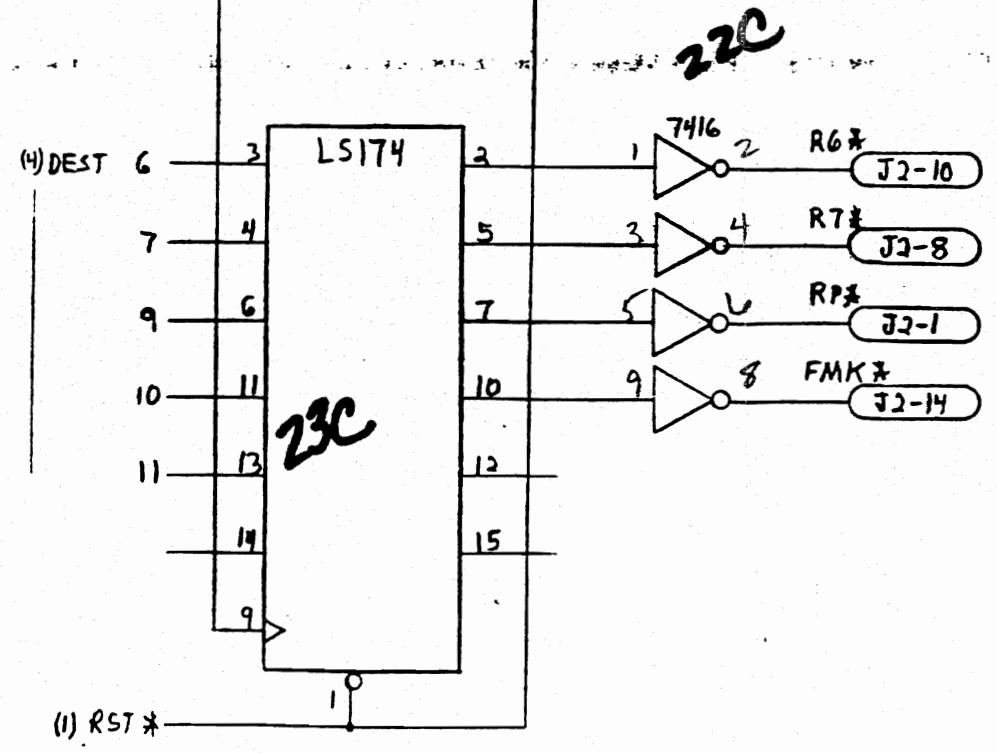
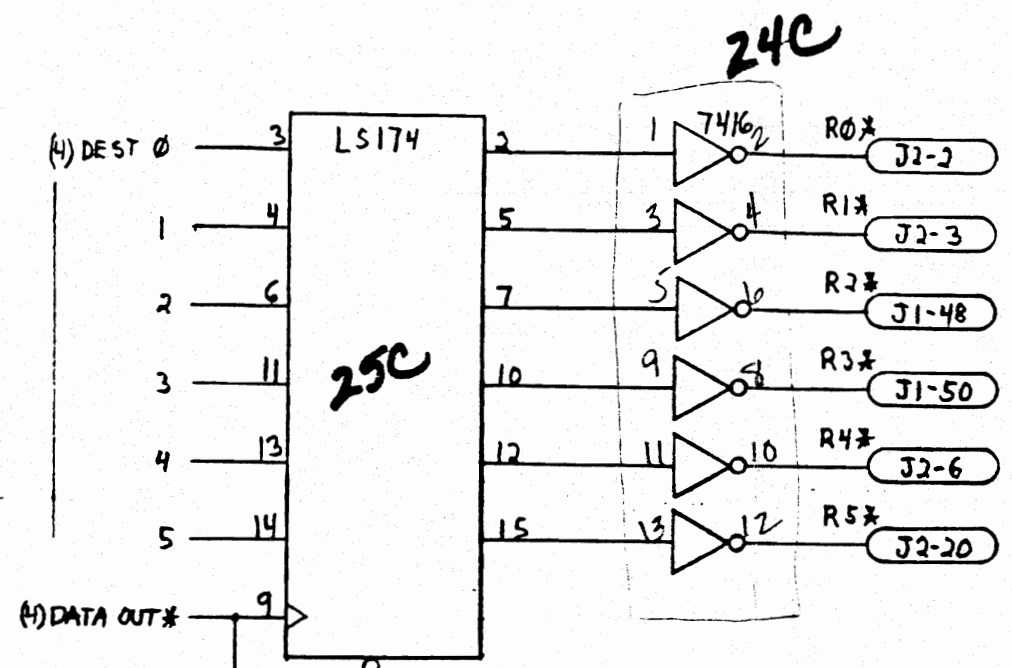
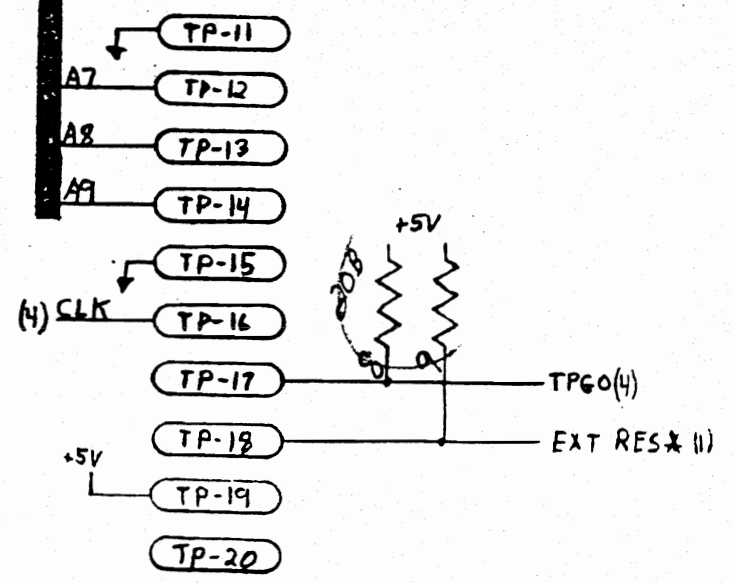
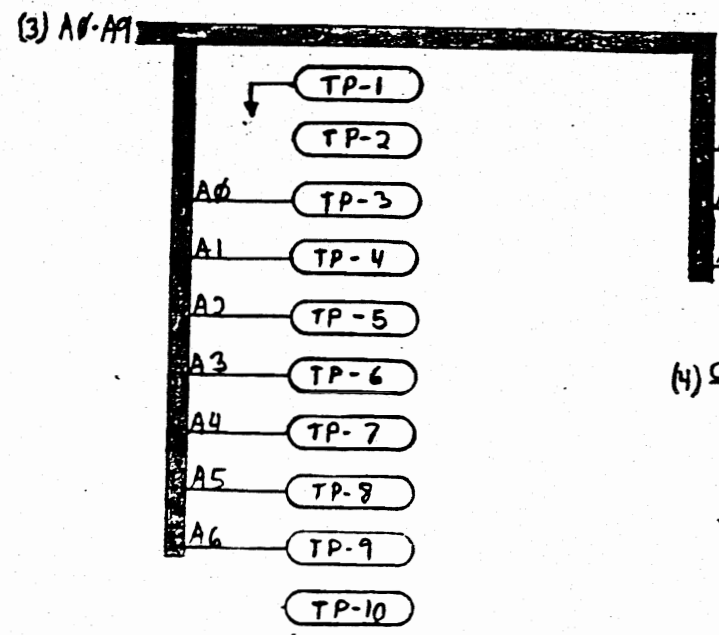
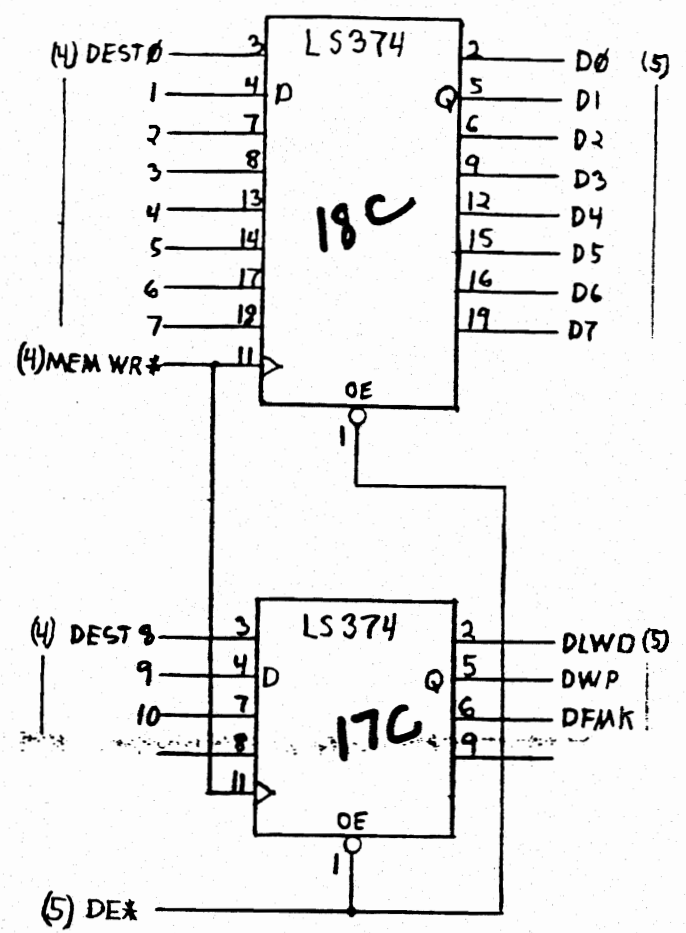
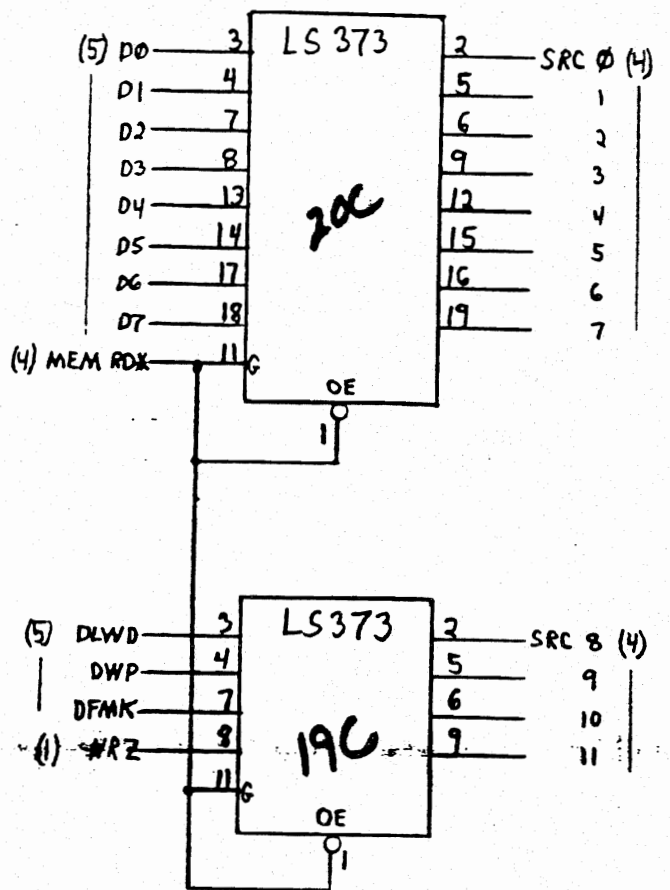




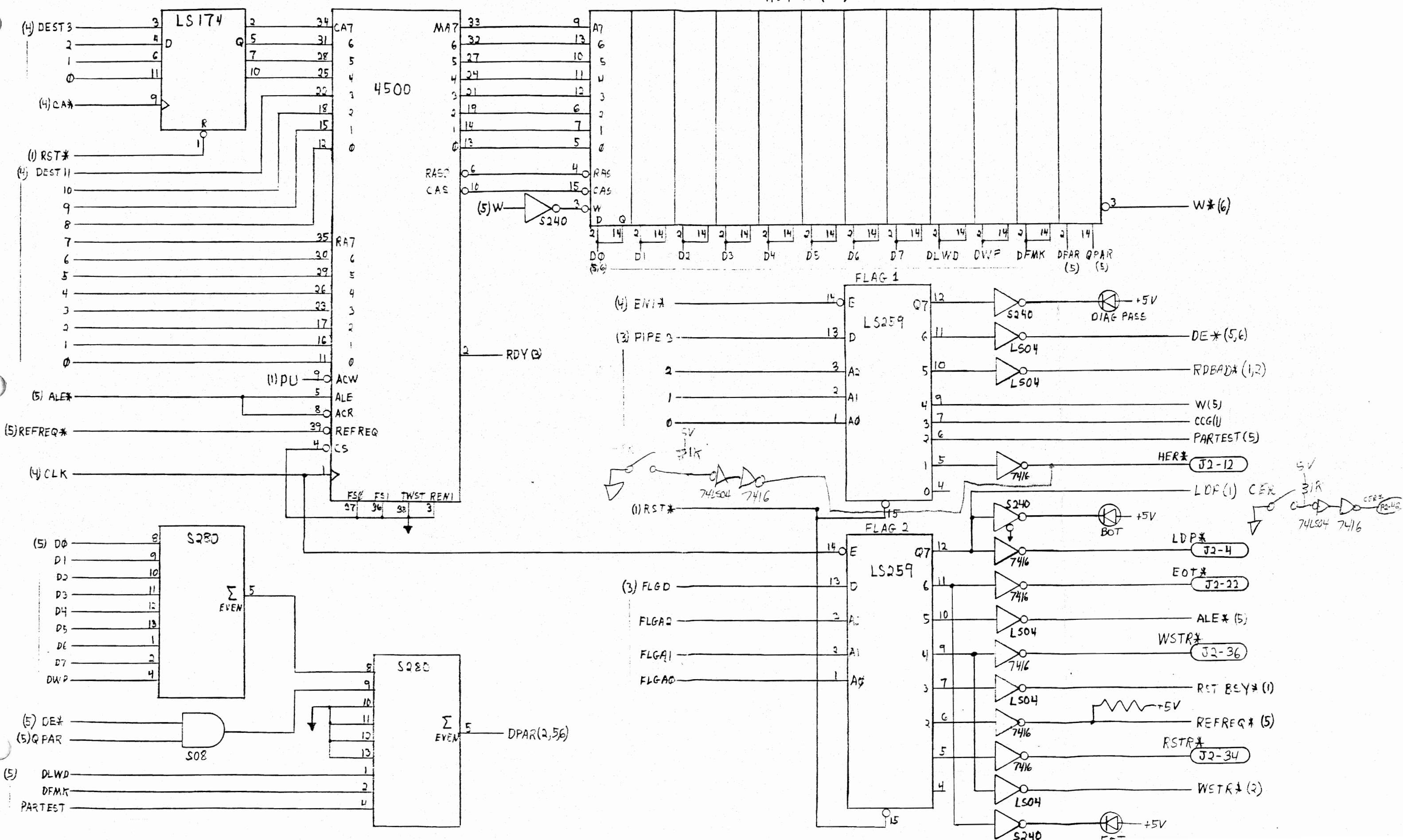
J3 IS CONNECTED PIN-FOR-PIN TO J1, AND J4 TO J2.

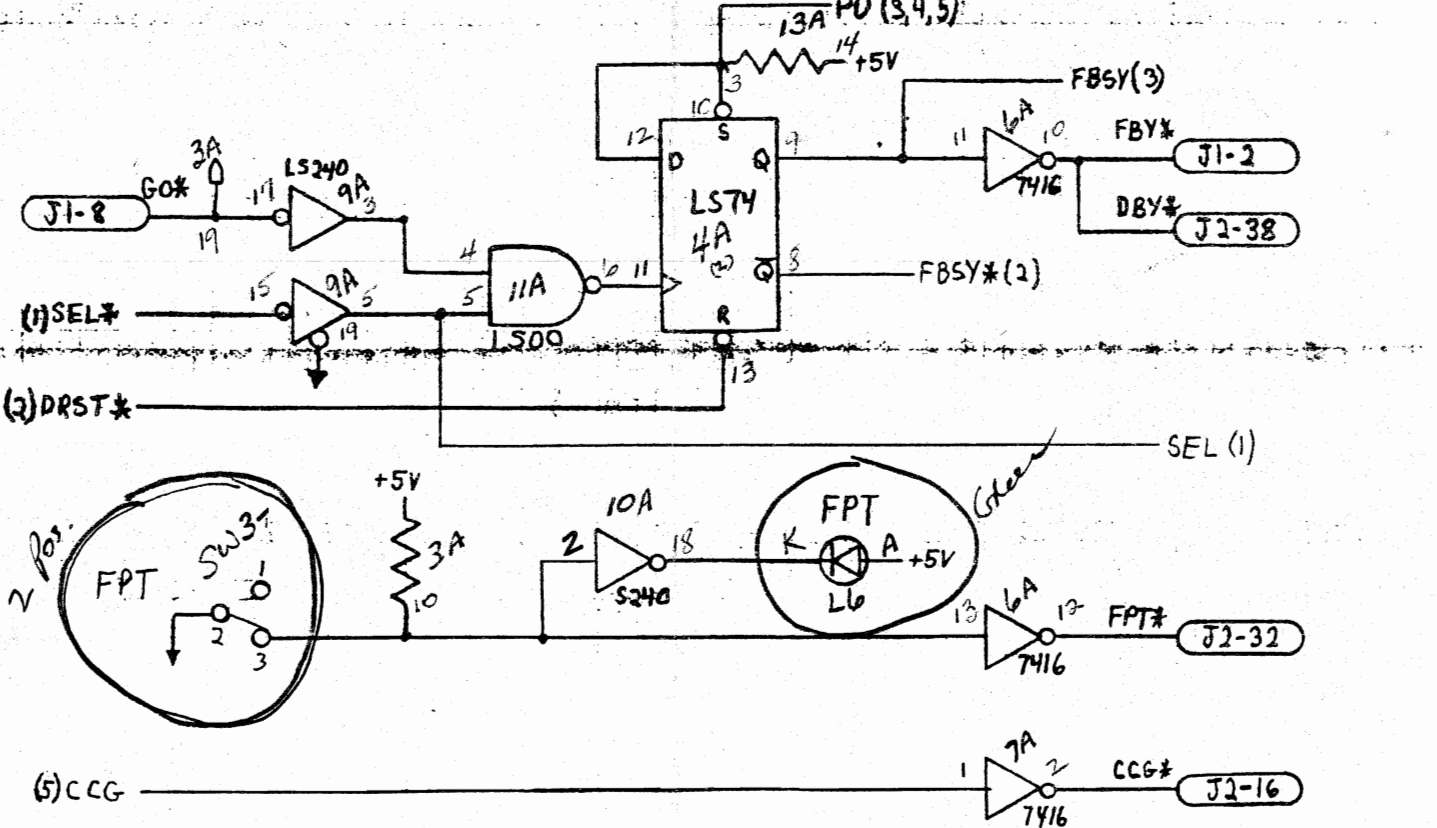
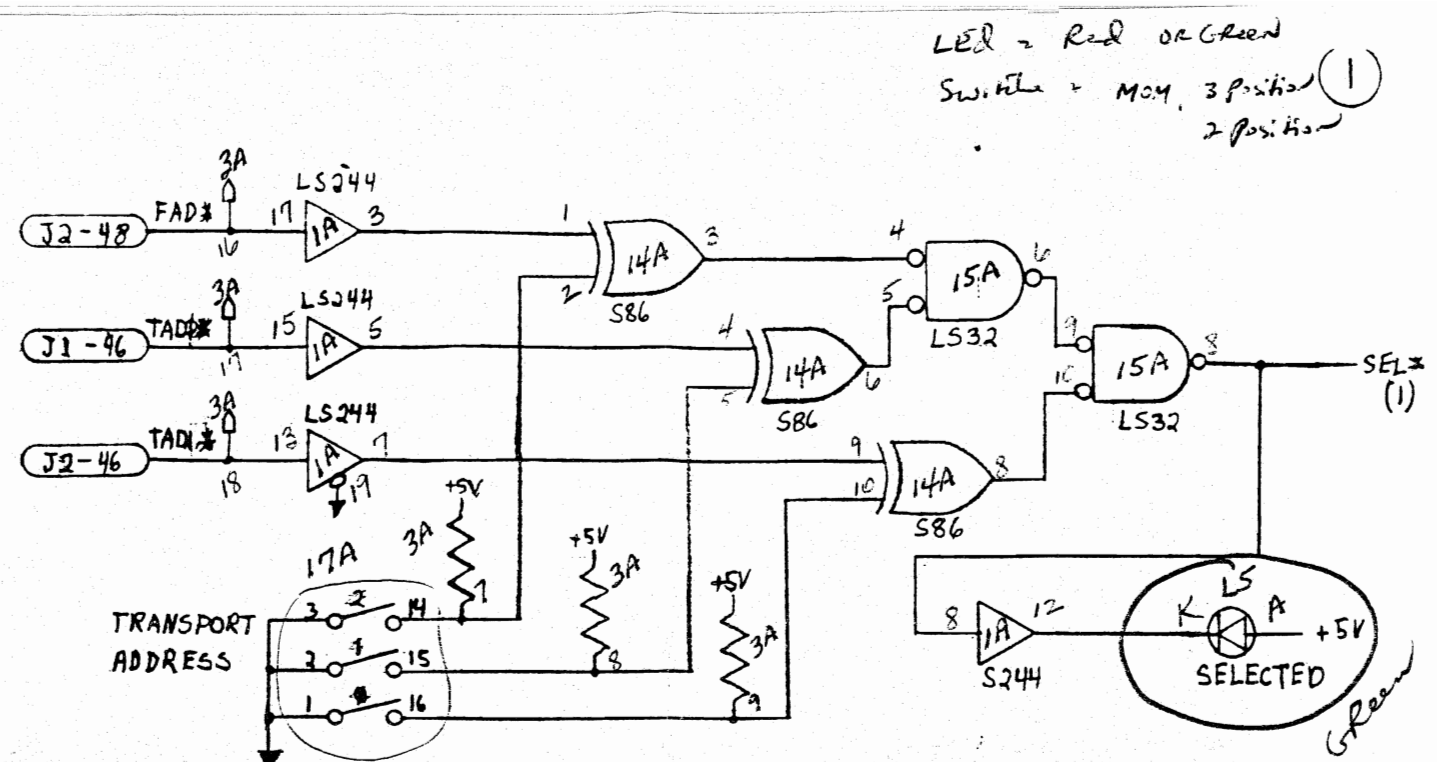
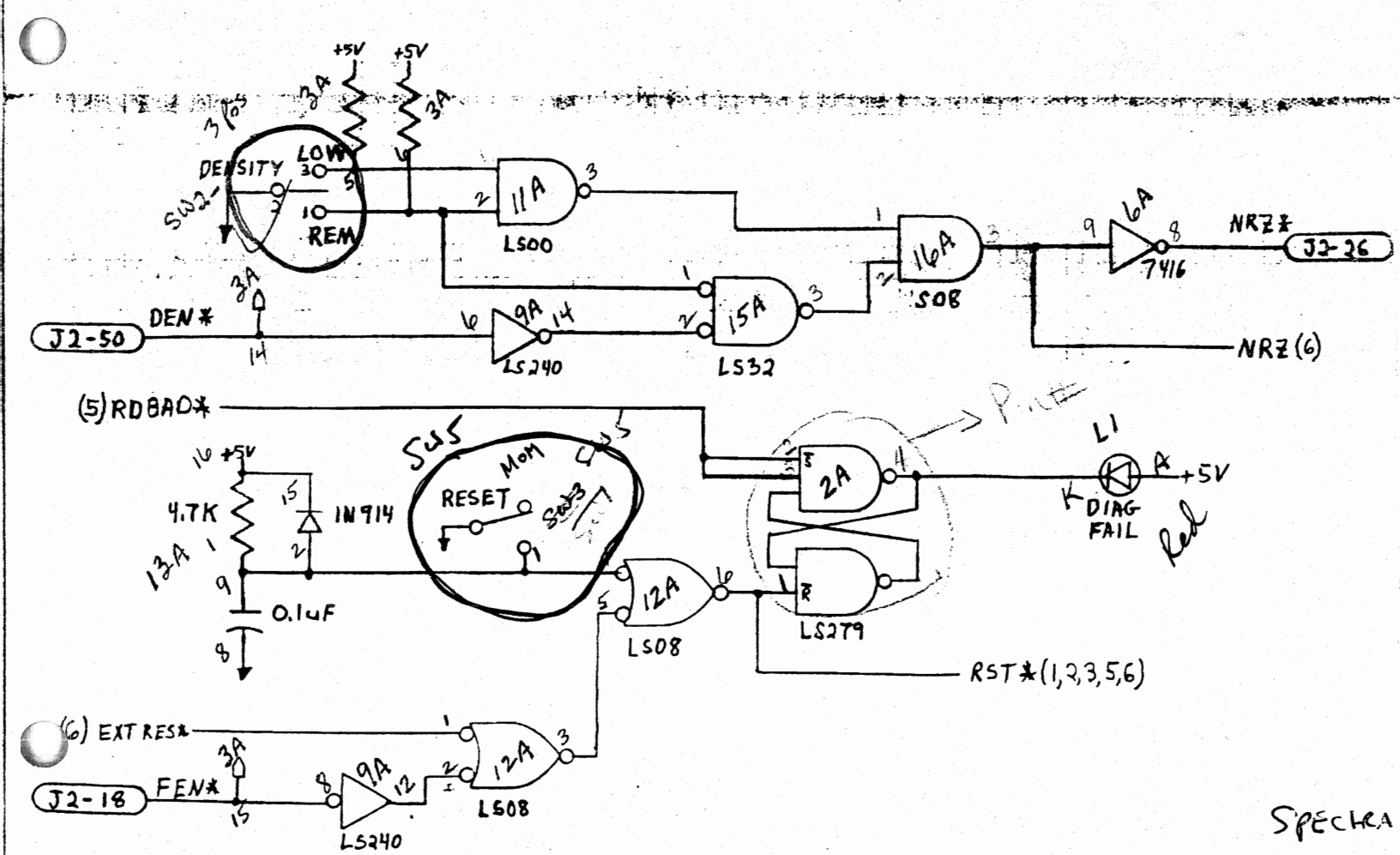
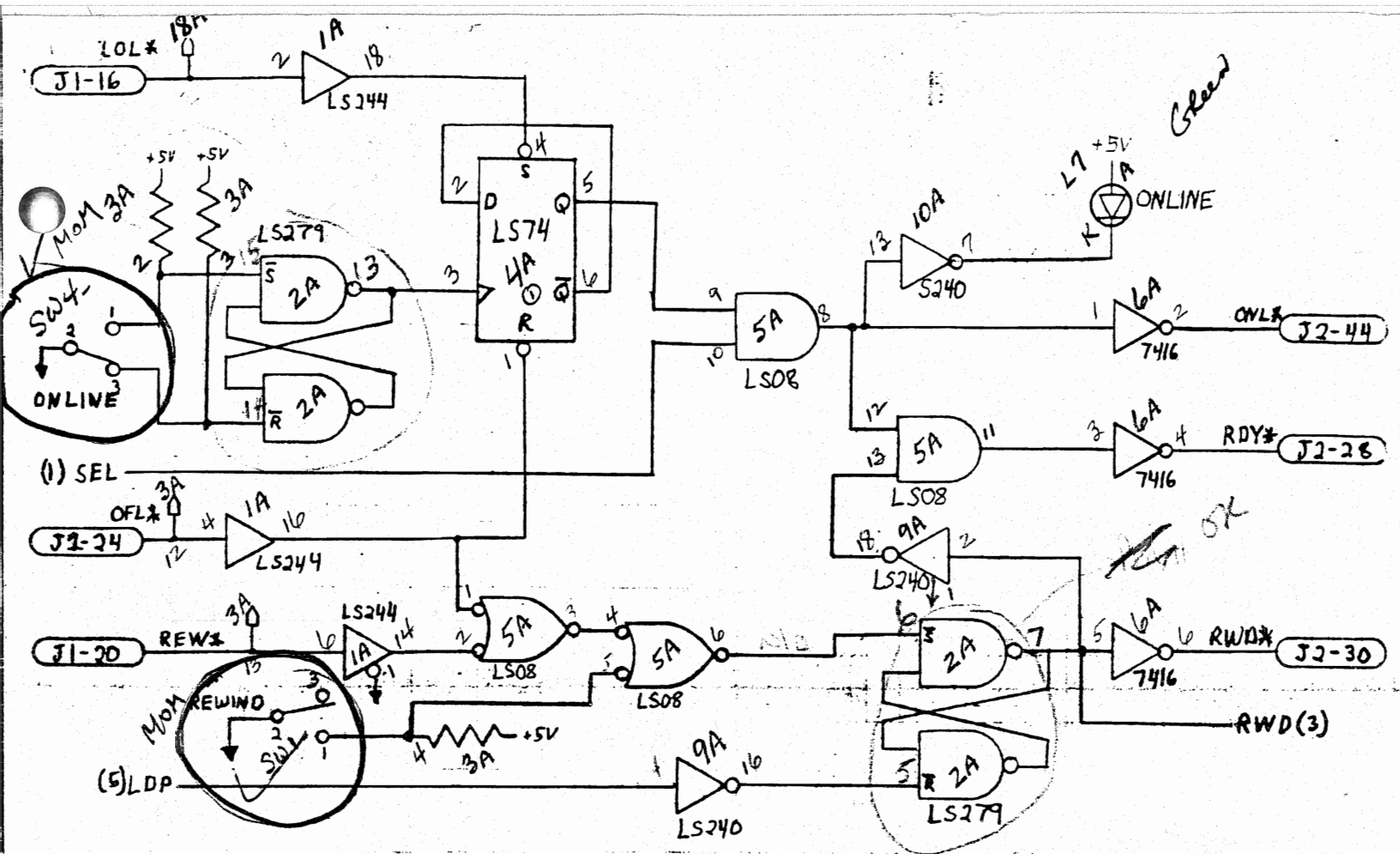
4164-15 (x12)





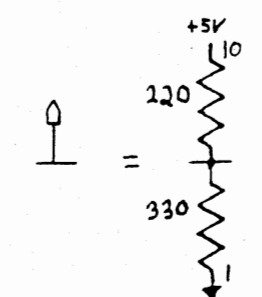
4164-15 (X12)



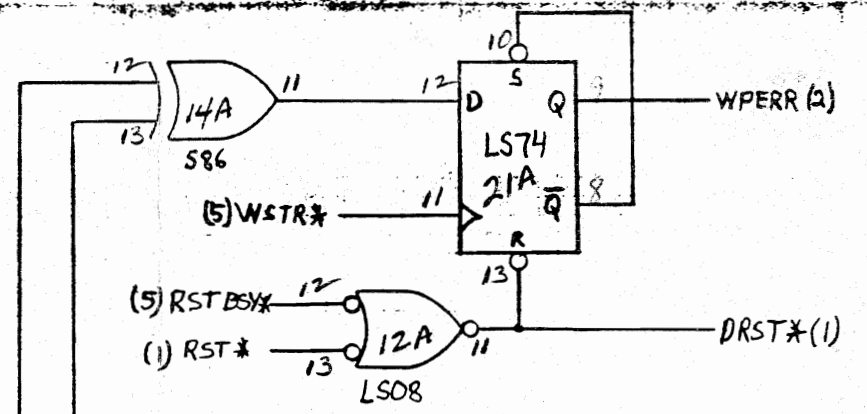
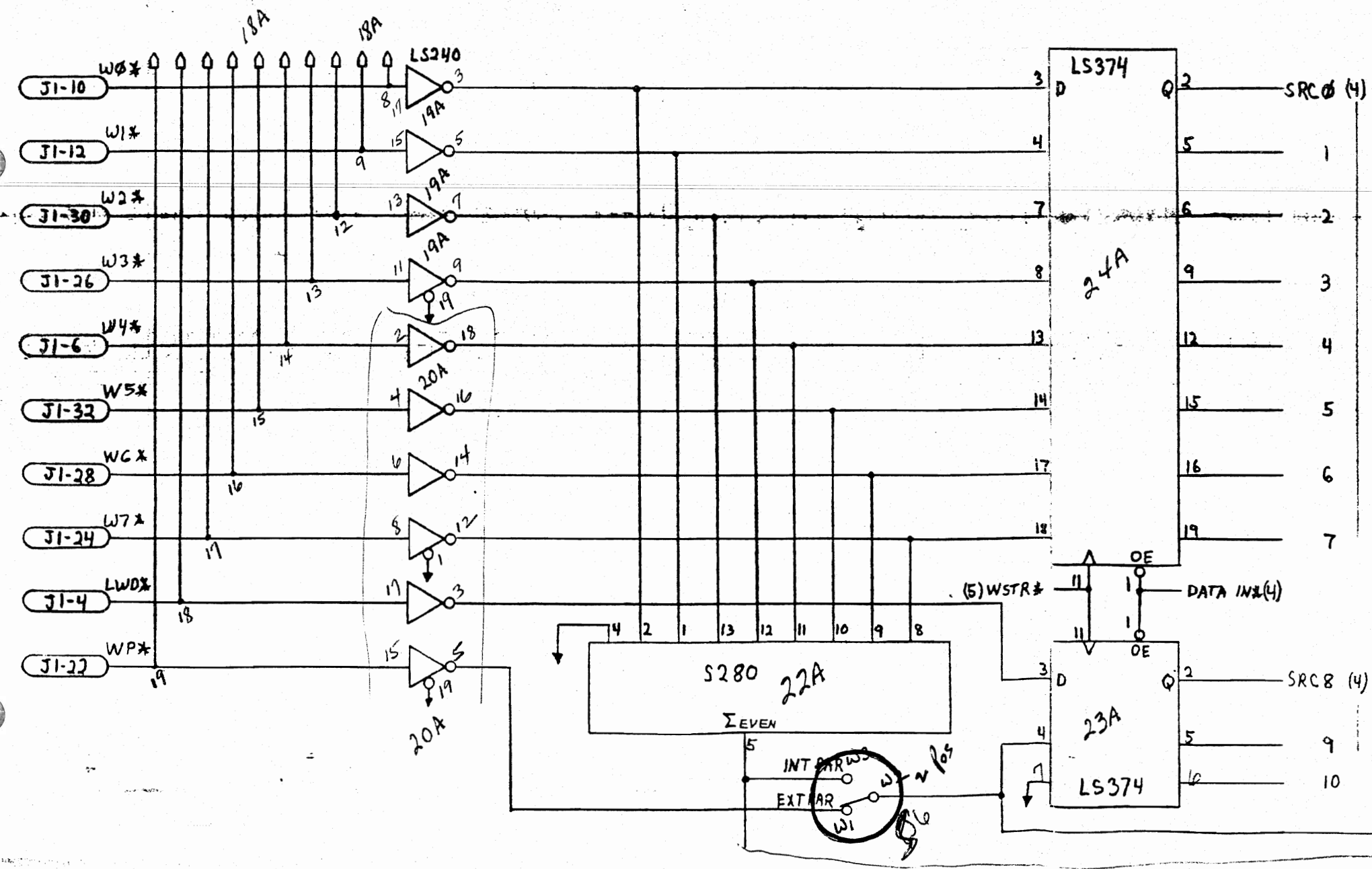
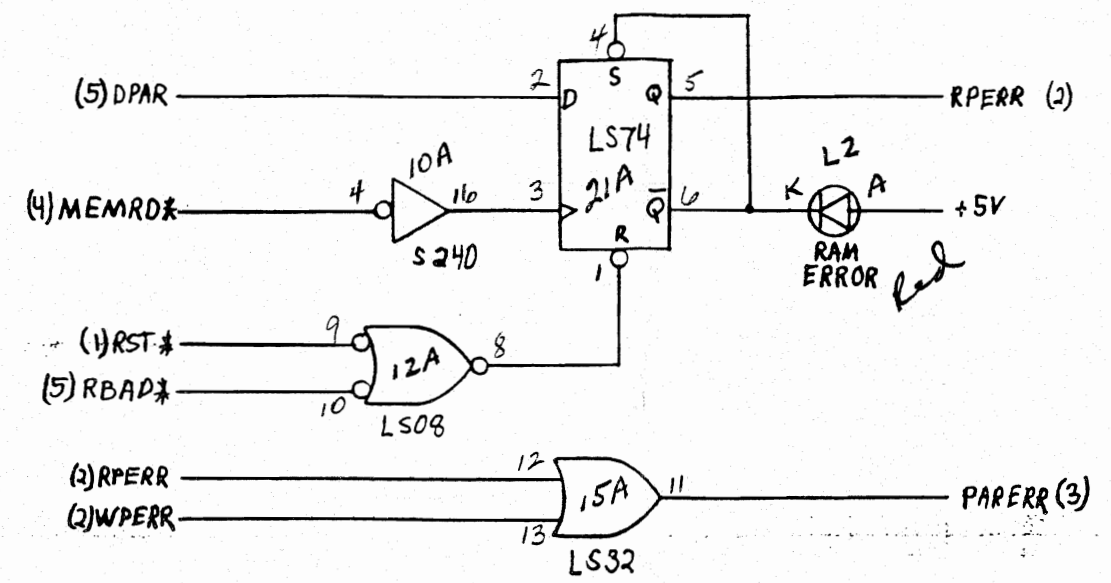
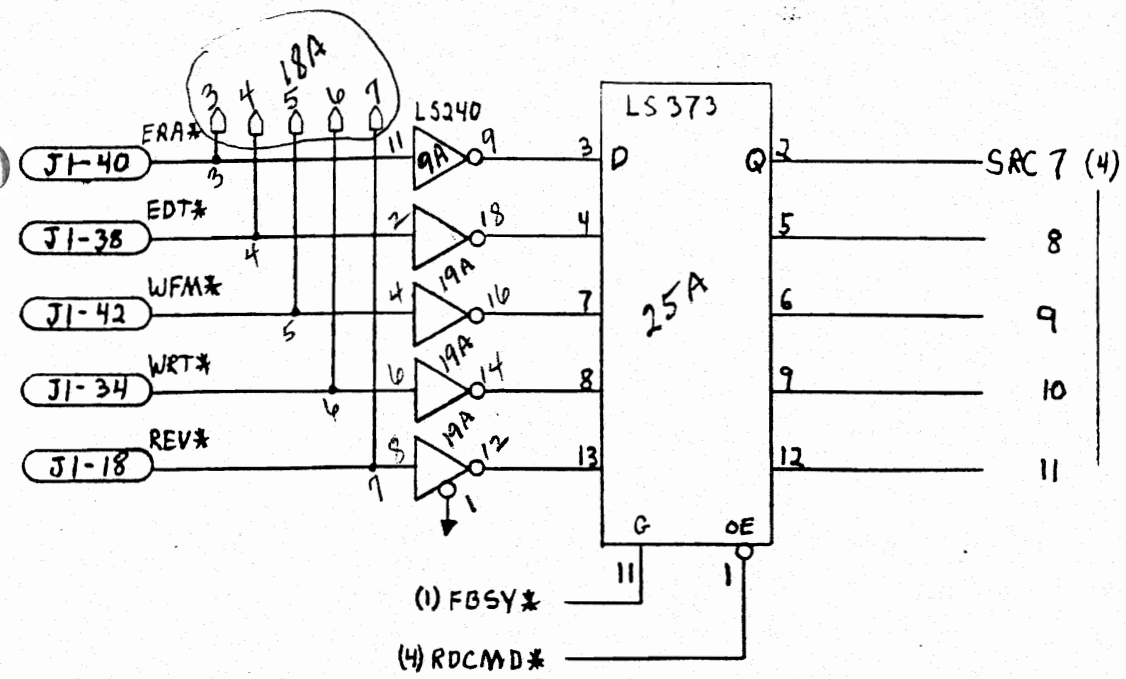


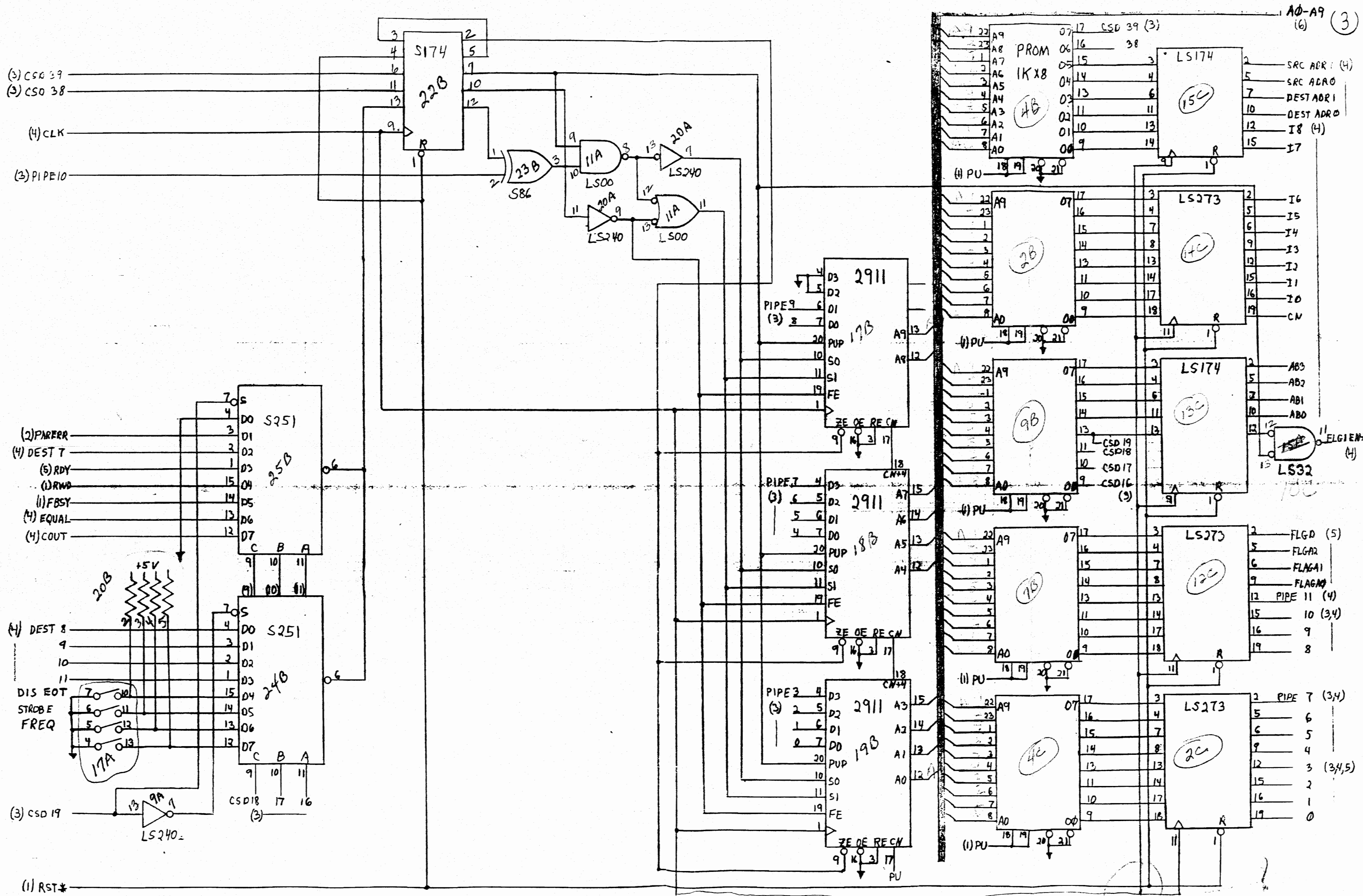
LED = Red or Green
Switch = Mom, 3 position (1)
2 position

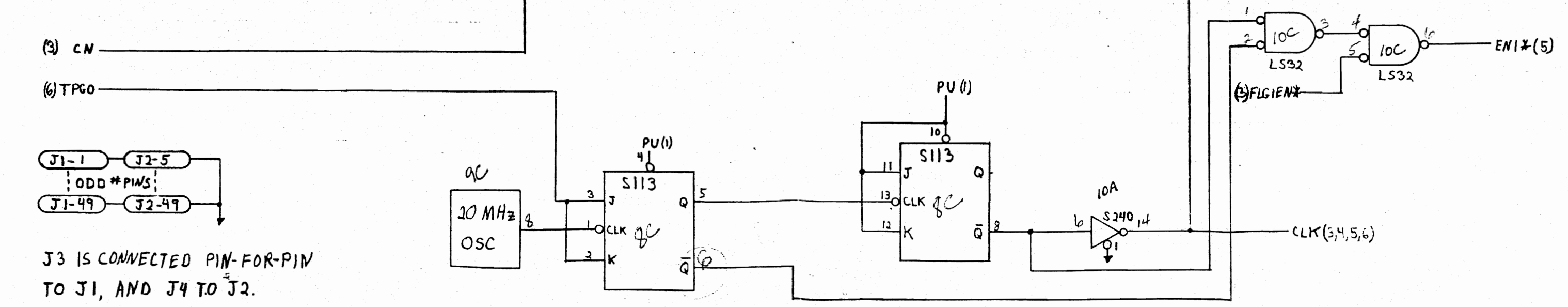
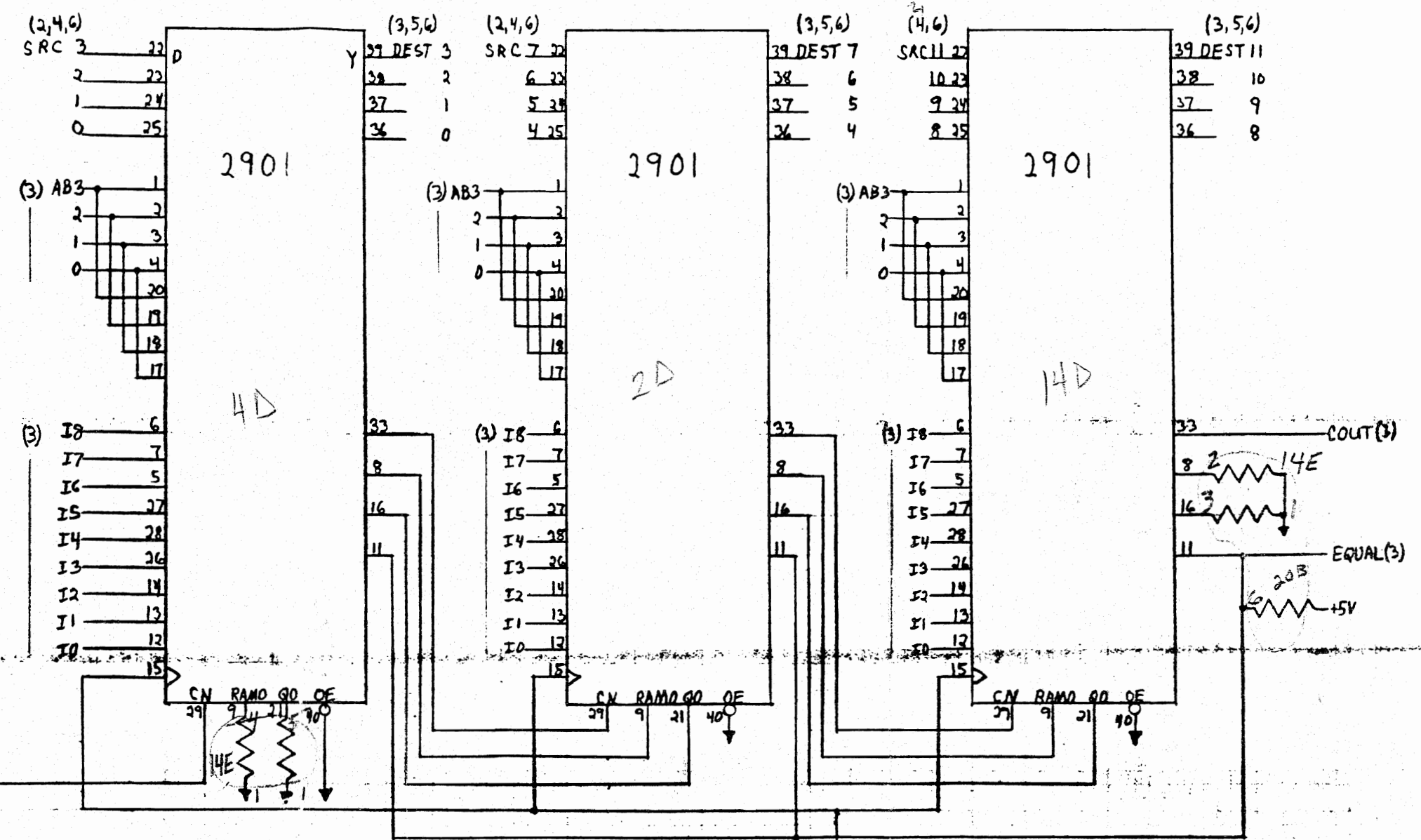
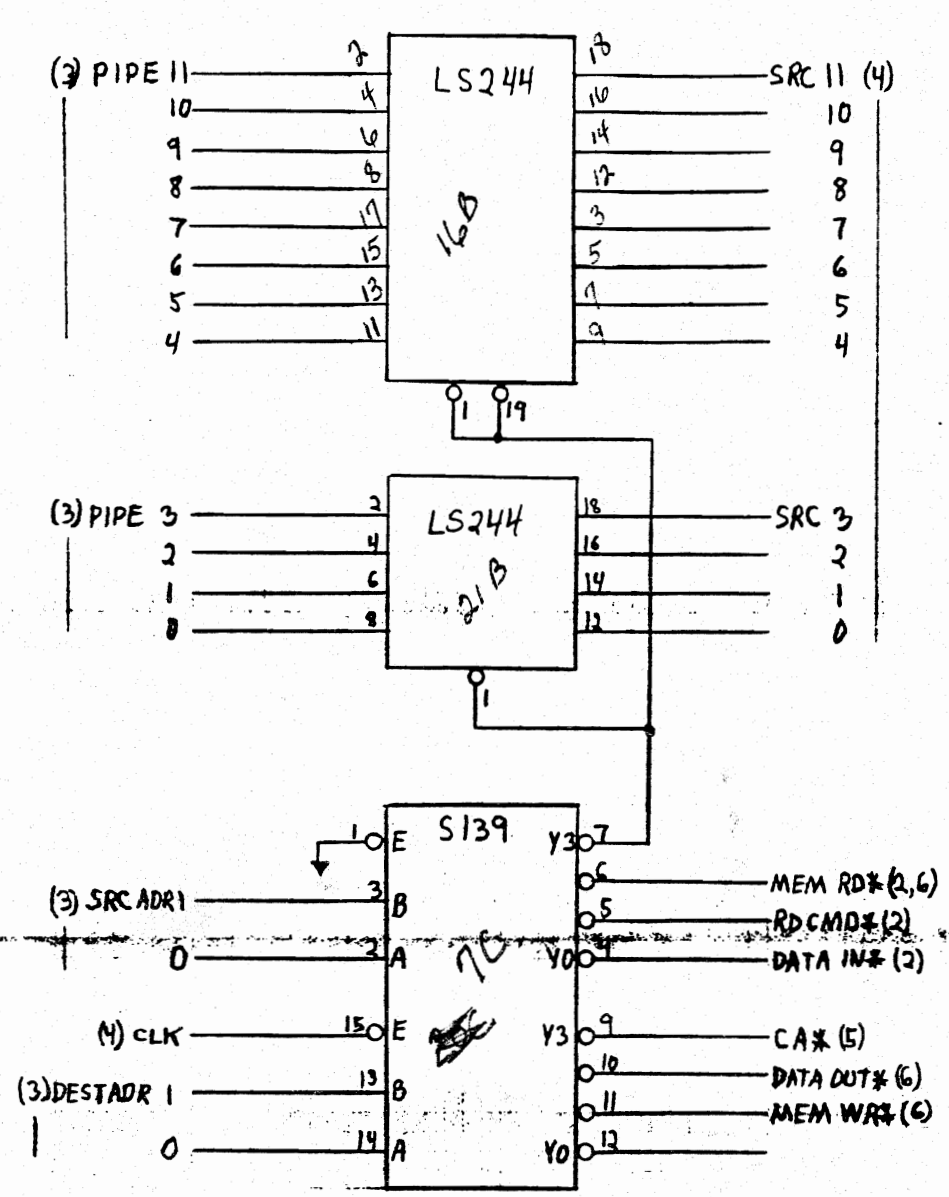
SPECTRA LOGIC
TAPE WORK



ALL RESISTORS ARE
1K Ω , 1/4W, 5%, UNLESS
OTHERWISE SPECIFIED.
PU (PG1) IS DISCRETE,
OTHERS ARE SIPS.







J3 IS CONNECTED PIN-FOR-PIN TO J1, AND J4 TO J2.

4164-15 (x12)

