

IC LEGEND			
TYPE	REFERENCE DESIGNATORS	VCC	GND
7486	U5	14	7
7487	U32 U55 U56	14	7
74LS82	U186	14	7
74LS74	U4	14	7
74LS85	U126 U127	14	7
74LS133	U73 U96 U101-U104	16	8
74LS157	U128 U148 U172	16	8
74LS169	U33 U57 U80 U103 U131 U132	16	8
74LS173	U86 U110 U111	16	8
74LS174	U63 U106 U211	16	8
74LS175	U10 U15	16	8
74LS245	U12 U196 U197	20	10
74LS273	U49 U151-U155 U170	20	10
74LS283	U85-U87 U157-159	16	8
74LS299	U128 U129	20	10
74LS365	U16 U17 U160 U161 U190	16	8
74LS366	U8 U202 U203	16	8
74LS373	U18	20	10
74LS374	U34 U58 U59 U61 U65 U81 U82 U84 U107-U109 U147	20	10
	U171 U195		
74LS377	U78 U79 U101 U102 U136 U137 U144 U149 U150	20	10
	U163 U173 U192		
74LS378	U27 U134 U135 U168 U174-U177 U190-201	16	8
74LS393	U145	14	7
74LS534	U35-U37 U60	20	10
74LS541	U11 U50 U104 U105 U130 U205-U207	20	10
74LS670	U38-U40 U62-U64	16	8
74LS682	U125 U130 U139 U143 U191	20	10
74F00	U2 U7 U85 U156 U188	14	7
74F02	U162 U189	14	7
74F04	U119 U142 U179	14	7
74F08	U141 U185	14	7
74F10	U6	14	7
74F20	U92	14	7
74F32	U133 U166	14	7
74F74	U165 U167	14	7
74F130	U19	16	8
74F139	U1	16	8
74F153	U121-U124	16	8
74F169	U114-U116 U169 U193 U194	16	8
74F175	U118	16	8
74F240	U200	20	10
74F244	U3 U209	20	10
74F250	U20	16	8
74F353	U20 U21 U41-U46	16	8
74F374	U72 U95 U117	20	10
PAL1642	U164 U204	20	10
PAL16C1	U90	24	12
PAL12L10	U91	20	10
PAL16L0A	U9 U22 U29-U31 U140 U167 U180	20	10
25LS2521	U112 U113 U146 U170	20	10
25S10	U51-U54 U74-U77	16	8
4416	U57-U100	9	10
27S20	U66-U69	20	10
27S29	U24-U26 U47 U48 U70 U71 U93 U94 U210	20	10
2946	U13 U14	20	10

- UNLESS OTHERWISE SHOWN:
- RESISTANCE VALUES ARE IN OHMS
 - CAPACITANCE VALUES ARE IN MICROFARADS
 - GROUND CONNECTION DIRECTLY TO INNER GROUND LAYER SHOWN BY SYMBOL
 - GROUND CONNECTION SURFACING TO EITHER COMPONENT OR CIRCUIT SIDE OF PCB SHOWN BY SYMBOL

REVISIONS				
ZONE	REV	DESCRIPTION	DATE	APPROVED
	1	BETA REL PER ECD#372	11/5/84	JWM
	2	INCORP PER ECD#398	11/10/84	SM JT
	3	INCORP PER ECD#430	1/18/85	JT
	A	MFG REL PER ECD#444	1/15/85	JT

REFERENCE
SEP 26 1985
FILE

DISCRETE COMPONENT LEGEND	
TYPE	REF DESIGNATOR
40 nF	C1 C2
2.2K	R1-R5
1K 51P	RN1 RN2 RN0 RN9
600 OHM 51P	RN3 RN4
120 OHM 51P	RN5
270 OHM 51P	RN6 RN7
555-4001	DS1-DS3

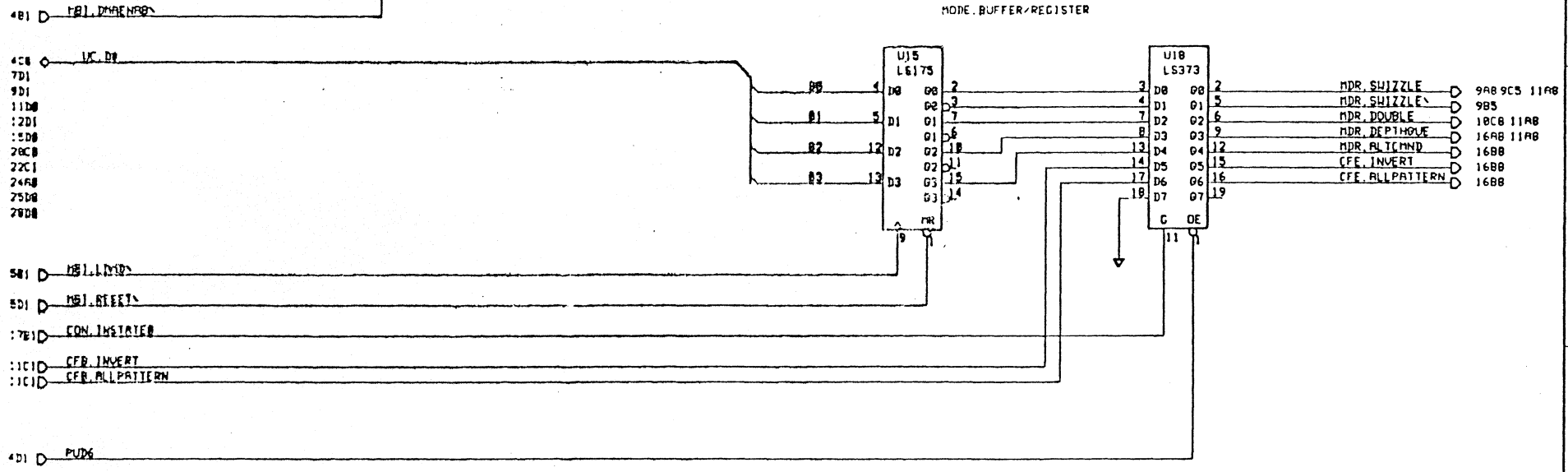
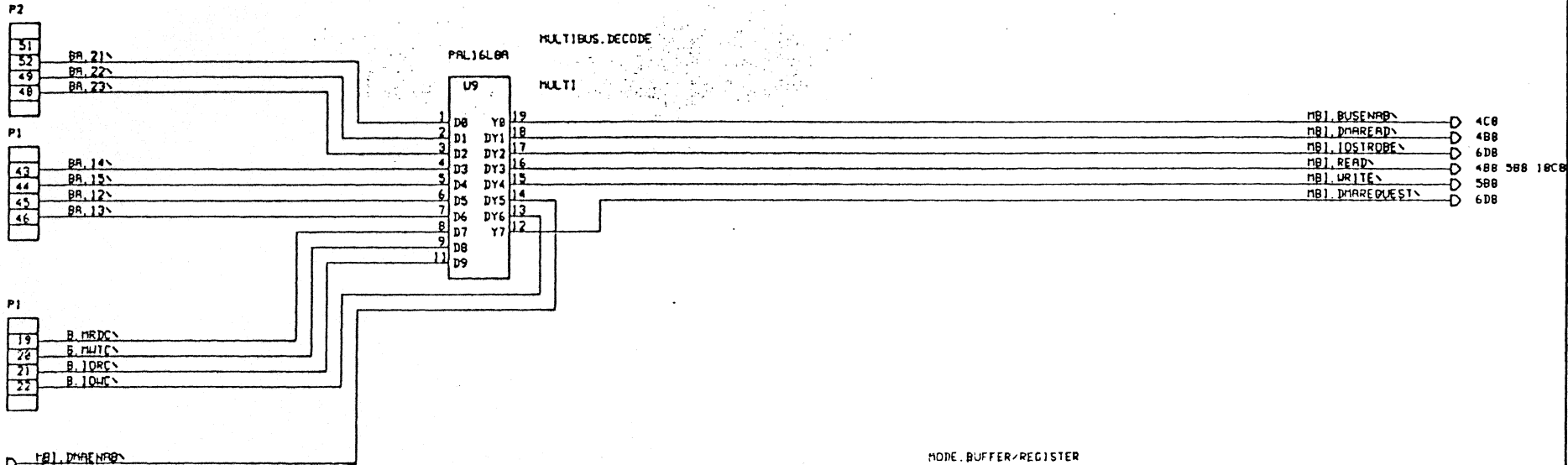
APPLICATIONS				SILICON GRAPHICS INC.			
		drw		UC4 UPDATE CONTROLLER			
		chk					
		iss.					
NEXT ASSEMBLY	USED ON	APPROVALS	DATE	NOM.	DRAWING NUMBER	REV	
				UC4	5000-500	A	6. MAR. 1985 1 OF 30

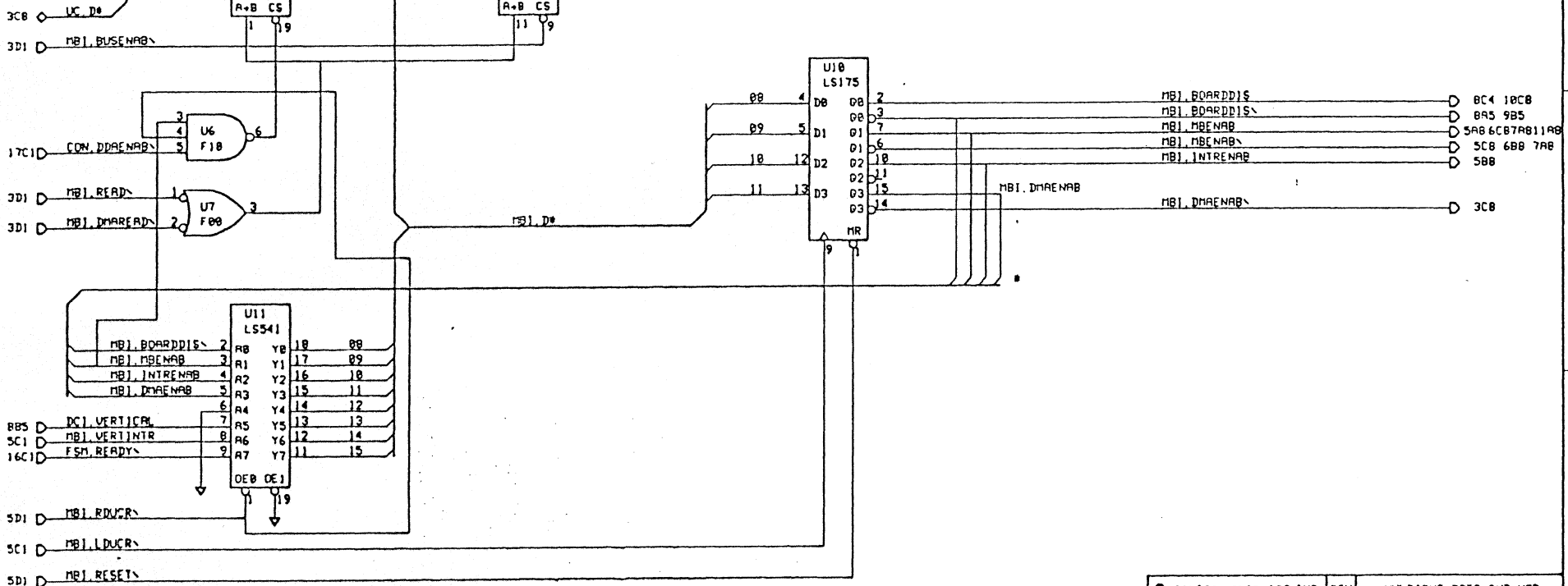
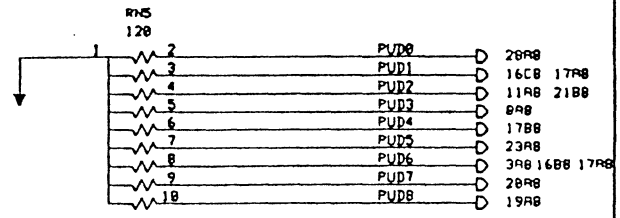
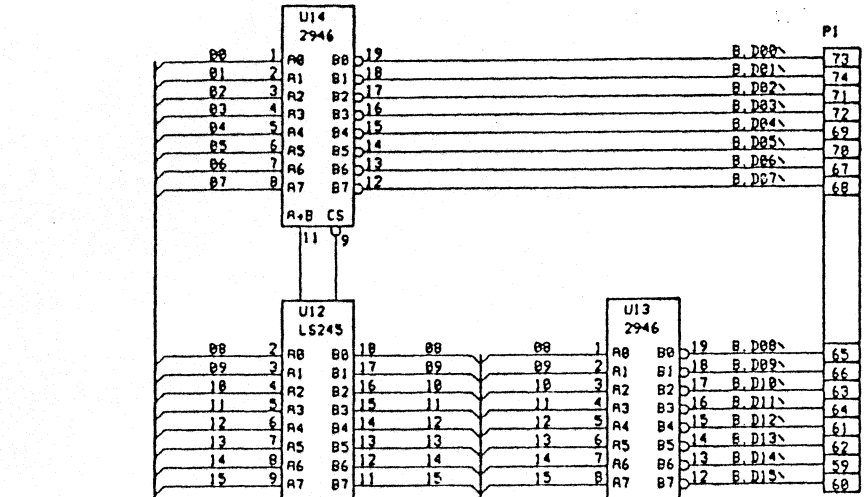
P1. BUS CONNECTIONS		
PIN	SIGNAL NAME	WHERE USED
01	GROUND	SHEET 1
02	GROUND	SHEET 1
03	5VDC	SHEET 1
04	5VDC	SHEET 1
05	5VDC	SHEET 1
06	5VDC	SHEET 1
11	GROUND	SHEET 1
12	GROUND	SHEET 1
14	B JNT1	SHEET 5
19	B MRD1	SHEET 3
20	B MUTC	SHEET 3
21	B JORC	SHEET 3
22	B JORC	SHEET 3
23	B XACK	SHEET 6
37	B INT4	SHEET 5
39	B INT2	SHEET 5
40	B INT3	SHEET 5
42	B INT1	SHEET 5
43	BA 14	SHEET 3
44	BA 15	SHEET 3
45	BA 12	SHEET 3
46	BA 13	SHEET 3
49	B A8	SHEET 5
50	B A9	SHEET 5
51	B A6	SHEET 5
52	B A7	SHEET 5
53	B A4	SHEET 5
54	B A5	SHEET 5
55	B A2	SHEET 5
56	B A3	SHEET 5
58	B A1	SHEET 5
59	B D14	SHEET 4
60	B D15	SHEET 4
61	B D12	SHEET 4
62	B D13	SHEET 4
63	B D10	SHEET 4
64	B D11	SHEET 4
65	B D08	SHEET 4
66	B D09	SHEET 4
67	B D06	SHEET 4
68	B D07	SHEET 4
69	B D04	SHEET 4
70	B D05	SHEET 4
71	B D02	SHEET 4
72	B D03	SHEET 4
73	B D00	SHEET 4
74	B D01	SHEET 4
75	GROUND	SHEET 1
76	GROUND	SHEET 1
81	5VDC	SHEET 1
82	5VDC	SHEET 1
83	5VDC	SHEET 1
84	5VDC	SHEET 1
85	GROUND	SHEET 1
86	GROUND	SHEET 1

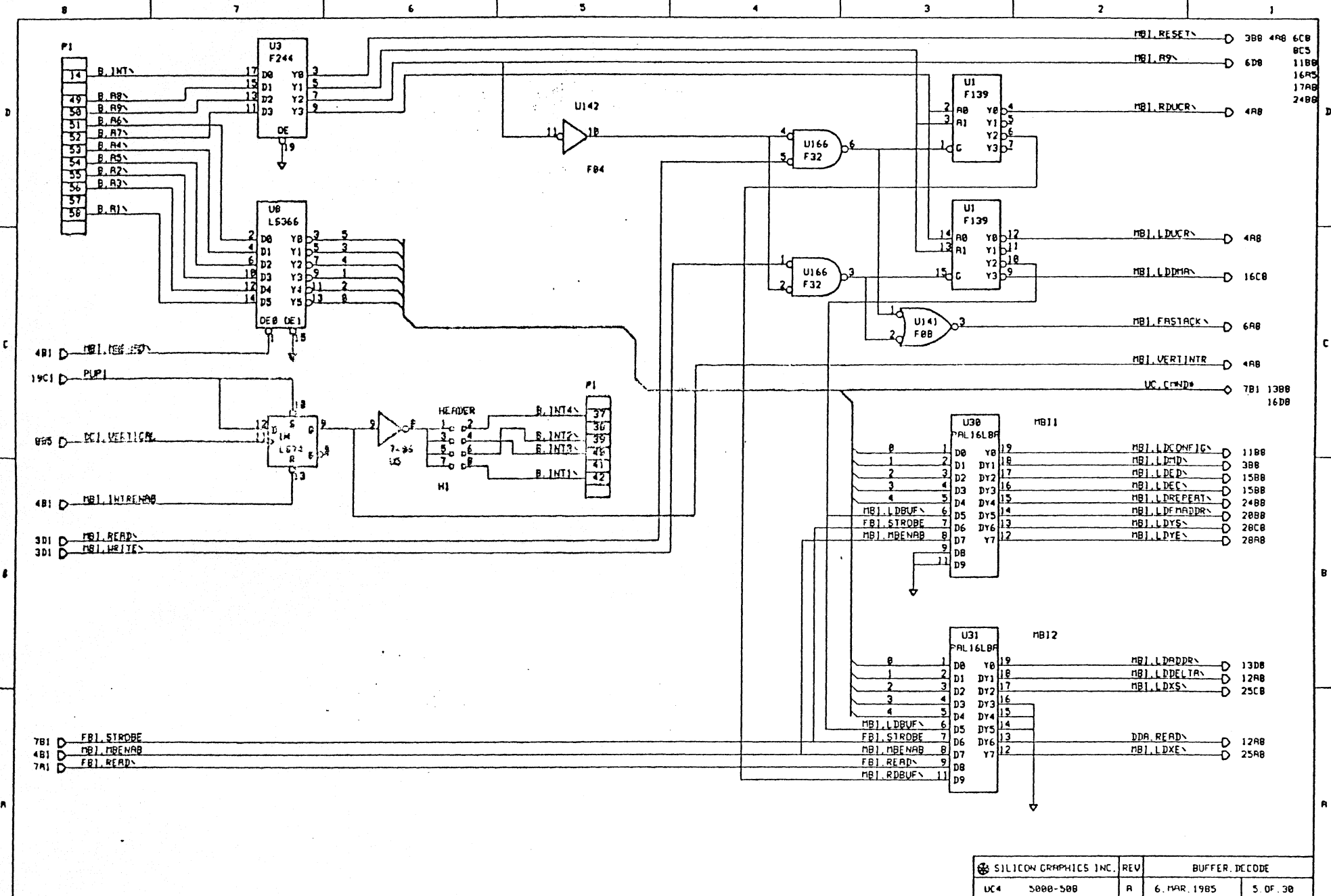
P2. BUS CONNECTIONS		
PIN	SIGNAL NAME	WHERE USED
01	UC DWE00	SHEET 9
02	UC DWE01	SHEET 9
03	UC DWE02	SHEET 9
04	UC DWE03	SHEET 9
05	UC DWE04	SHEET 9
06	UC DWE05	SHEET 9
07	UC DWE06	SHEET 9
08	UC DWE07	SHEET 9
09	UC DWE08	SHEET 9
10	UC DWE09	SHEET 9
11	UC DWE10	SHEET 9
12	UC DWE11	SHEET 9
13	UC DWE12	SHEET 9
14	UC DWE13	SHEET 9
15	UC DWE14	SHEET 9
16	UC DWE15	SHEET 9
17	DC ADR0A	N.C.
18	DC ADR1A	N.C.
19	DC ADR2A	N.C.
20	DC ADR3A	N.C.
21	DC ADR4A	N.C.
22	DC ADR5A	N.C.
23	DC ADR6A	N.C.
24	DC ADR7A	N.C.
25	GROUND	SHEET 10
26	DC ADR0B	N.C.
27	DC ADR1B	N.C.
28	DC ADR2B	N.C.
29	DC ADR3B	N.C.
30	DC ADR4B	N.C.
31	DC ADR5B	N.C.
32	DC ADR6B	N.C.
33	DC ADR7B	N.C.
34	UC PIXEL0	SHEET 10
35	GROUND	SHEET 10
36	DC RAS1A	N.C.
37	DC CAS1A	N.C.
38	GROUND	SHEET 10
39	DC WE1A	N.C.
40	DC VIDECLK	N.C.
41	GROUND	SHEET 10
42	DC RAS1B	N.C.
43	DC CAS1B	N.C.
44	GROUND	SHEET 10
45	DC WE1B	N.C.
46	DC UPDCLK	N.C.
47	GROUND	SHEET 10
48	BA 23	N.C.
49	BA 22	SHEET 3
50	GROUND	SHEET 10
51	BA 20	SHEET 3
52	BA 21	SHEET 3
53	GROUND	SHEET 10
54	UC CDSELECT	SHEET 10
55	UC PIXEL1	SHEET 10
56	GROUND	SHEET 10
57	UC RDPixel	SHEET 10
58	UC COLDRIVECLK	SHEET 10
59	UC PIXEL2	SHEET 10
60	UC PIXEL3	SHEET 10

J1. BUS CONNECTIONS		
PIN	SIGNAL NAME	WHERE USED
01	FBD00	SHEET 7
02	FBD01	SHEET 7
03	FBD02	SHEET 7
04	FBD03	SHEET 7
05	FBD04	SHEET 7
06	FBD05	SHEET 7
07	FBD06	SHEET 7
08	FBD07	SHEET 7
09	FBD08	SHEET 7
10	FBD09	SHEET 7
11	FBD10	SHEET 7
12	FBD11	SHEET 7
13	FBD12	SHEET 7
14	FBD13	SHEET 7
15	FBD14	SHEET 7
16	FBD15	SHEET 7
17	FBC0	SHEET 7
18	FBC1	SHEET 7
19	FBC2	SHEET 7
20	FBC3	SHEET 7
21	FBC4	SHEET 7
22	FBC5	SHEET 7
23	GROUND	SHEET 7
24	BPSTRDBE	SHEET 7
25	GROUND	SHEET 7
26	GROUND	SHEET 7
27	FBCRGBPC	SHEET 7
28	GROUND	SHEET 7
29	BPCACKFBC	SHEET 7
30	GROUND	SHEET 7
31	GROUND	SHEET 7
32	FBRDAS	SHEET 7
33	GROUND	SHEET 7
34	BPCVERTINT	SHEET 7

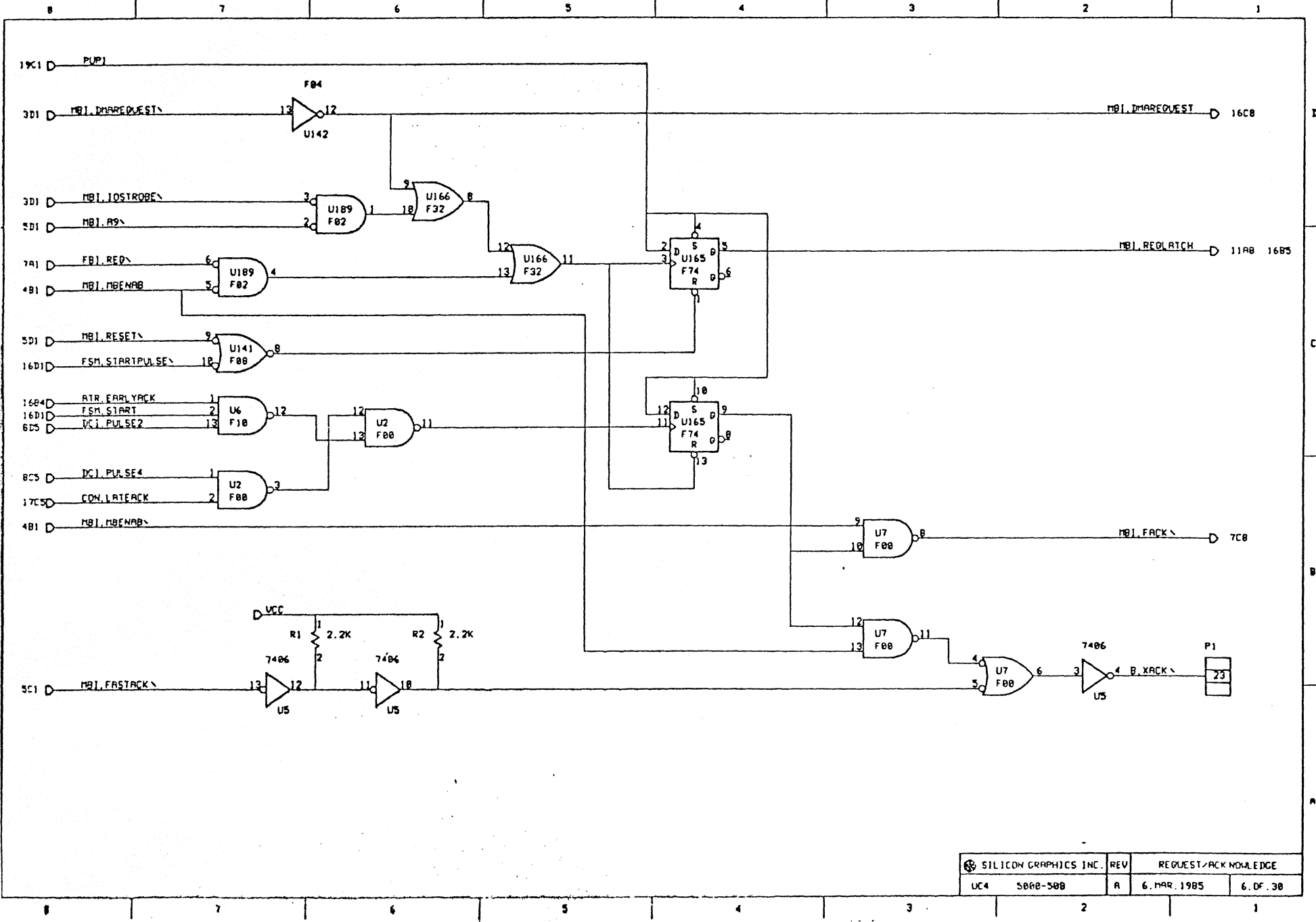
J3. BUS CONNECTIONS		
PIN	SIGNAL NAME	WHERE USED
01	DC1 DSPENABLEA	SHEET 8
02	DC1 DSPENABLEB	SHEET 8
03	DC1 LPENABLEA	SHEET 8
04	DC1 LPENABLEB	SHEET 8
05	DC1 RECYCLE	SHEET 8
06	DC1 FWHRITE	SHEET 8
07	DC1 BOARDAB	SHEET 8
08	DC1 READENAB	SHEET 8
09	DC1 XG04	SHEET 8
10	DC1 XG05	SHEET 8
11	DC1 XG06	SHEET 8
12	DC1 XG07	SHEET 8
13	DC1 XG08	SHEET 8
14	DC1 XG09	SHEET 8
15	DC1 RY0	SHEET 8
16	DC1 RY1	SHEET 8
17	DC1 RY2	SHEET 8
18	DC1 RY3	SHEET 8
19	DC1 RY4	SHEET 8
20	DC1 RY5	SHEET 8
21	DC1 RY6	SHEET 8
22	DC1 RY7	SHEET 8
23	DC1 YC 08	SHEET 8
24	DC1 YC 09	SHEET 8
25	GROUND	SHEET 8
26	UP PLASE0	SHEET 8
27	GROUND	SHEET 8
28	UP PLASE1	SHEET 8
29	GROUND	SHEET 8
30	UP PLASE2	SHEET 8
31	GROUND	SHEET 8
32	UP PLASE3	SHEET 8
33	GROUND	SHEET 8
34	UP PLASE4	SHEET 8
35	GROUND	SHEET 8
36	UP PLASE5	SHEET 8
37	GROUND	SHEET 8
38	DSP REFRESH	SHEET 8
39	GROUND	SHEET 8
40	DSP CASENFM	SHEET 8
41	GROUND	SHEET 8
42	DSP RASFM	SHEET 8
43	GROUND	SHEET 8
44	DSP CASFM	SHEET 8
45	GROUND	SHEET 8
46	DSP WE5FM	SHEET 8
47	GROUND	SHEET 8
48	DSP FLNATCH	SHEET 8
49	GROUND	SHEET 8
50	DSP VERTINT	SHEET 8

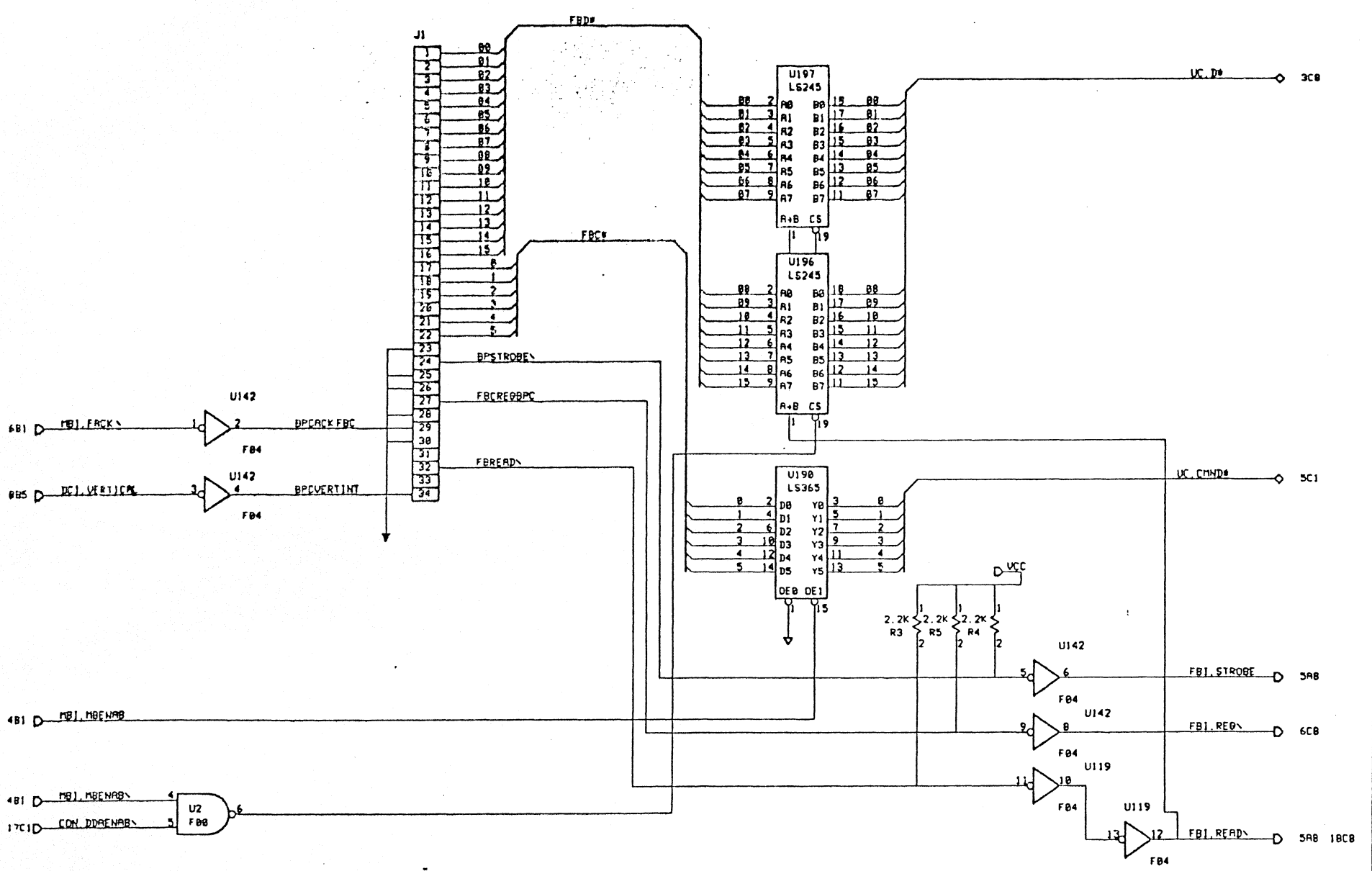




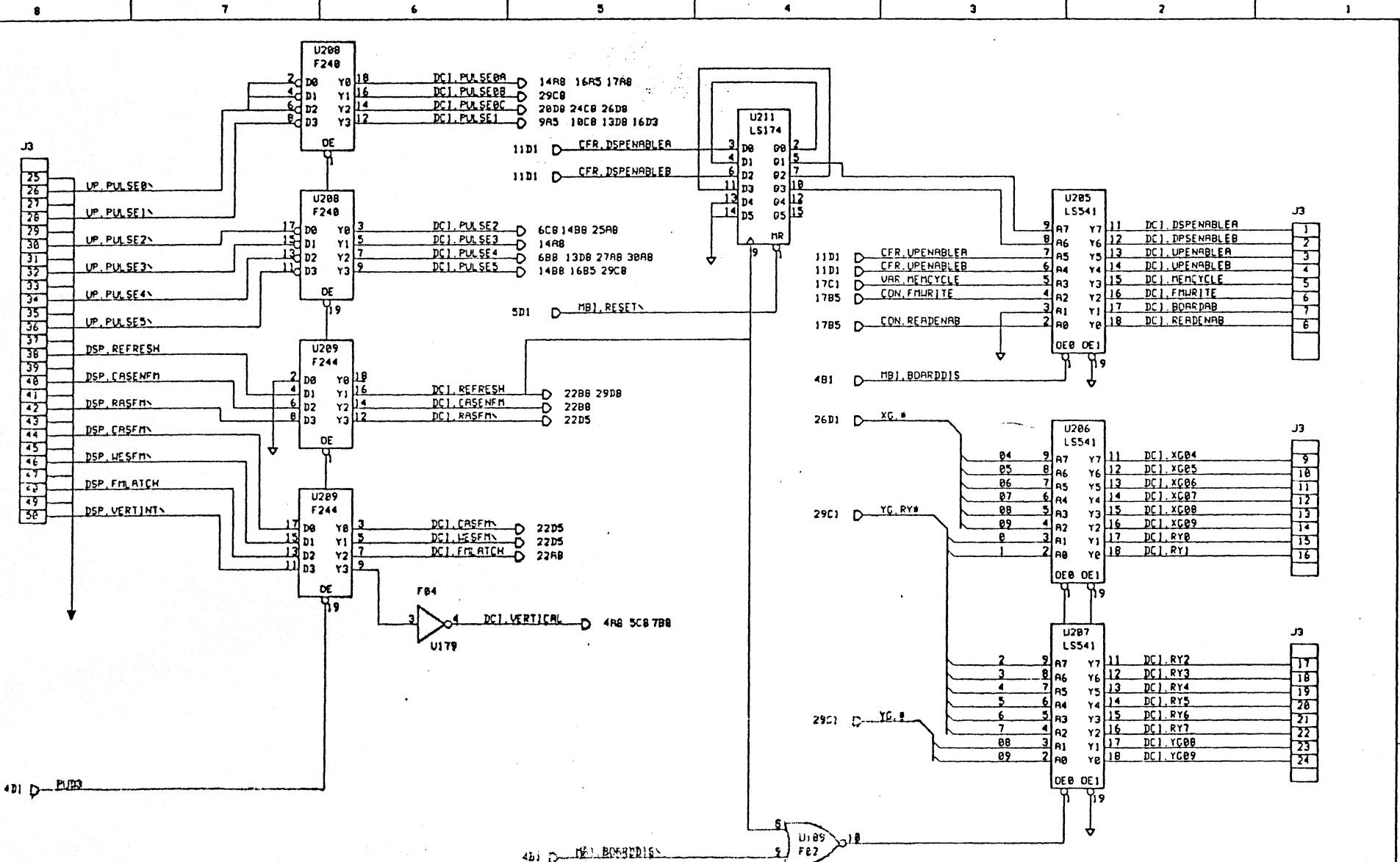


SILICON GRAPHICS INC.		REV	BUFFER DECODE	
UC4	5000-500	A	6. MAR. 1985	5 OF 30



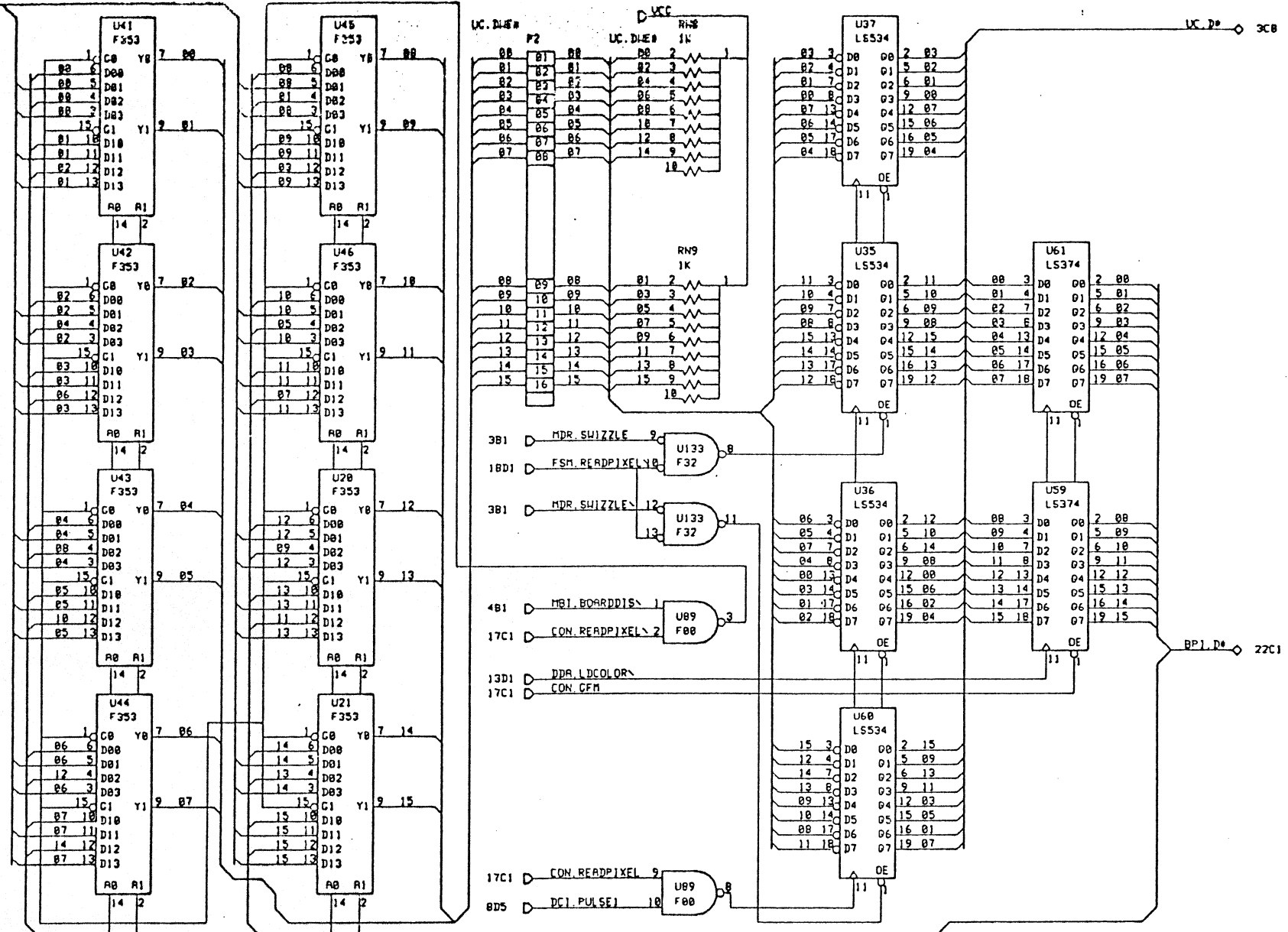


SILICON GRAPHICS INC. REV		FBC. INTERFACE	
UC4	5000-500	R	6. MAR. 1985 7. OF. 30



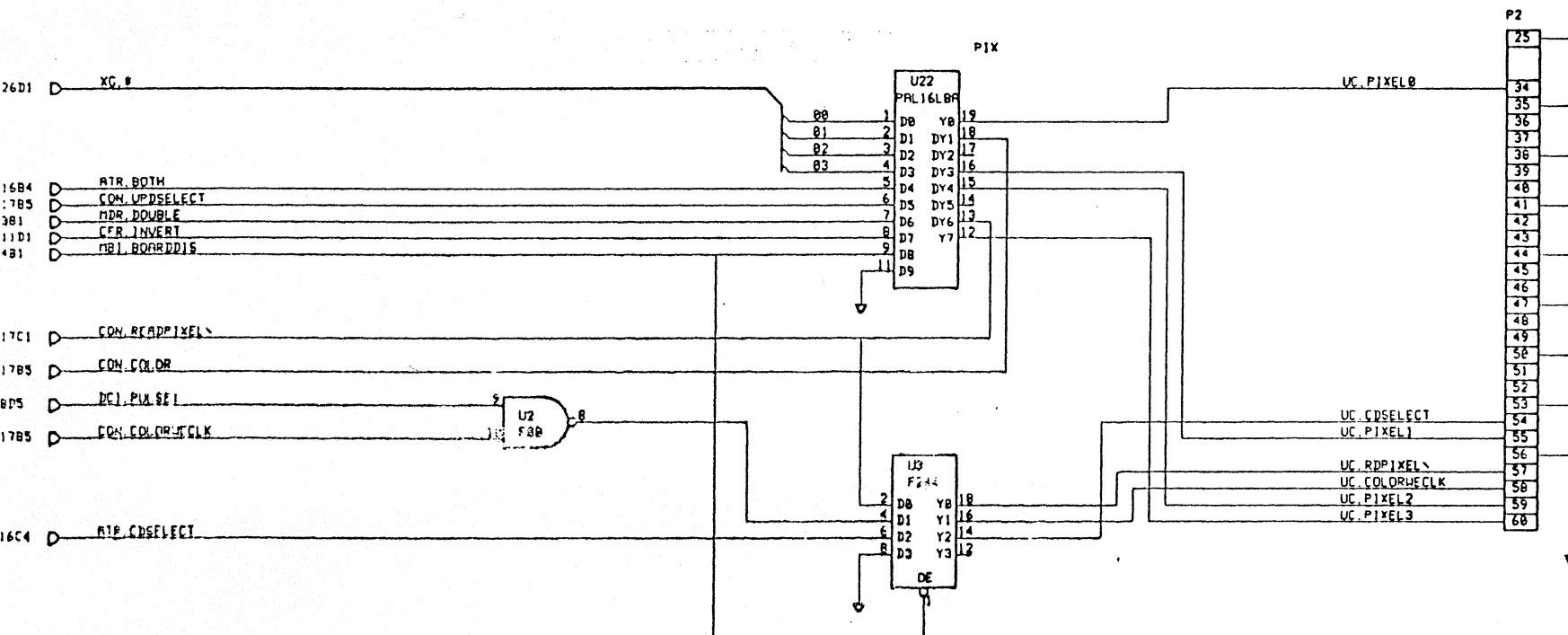
19D1
23D1

MRX.0

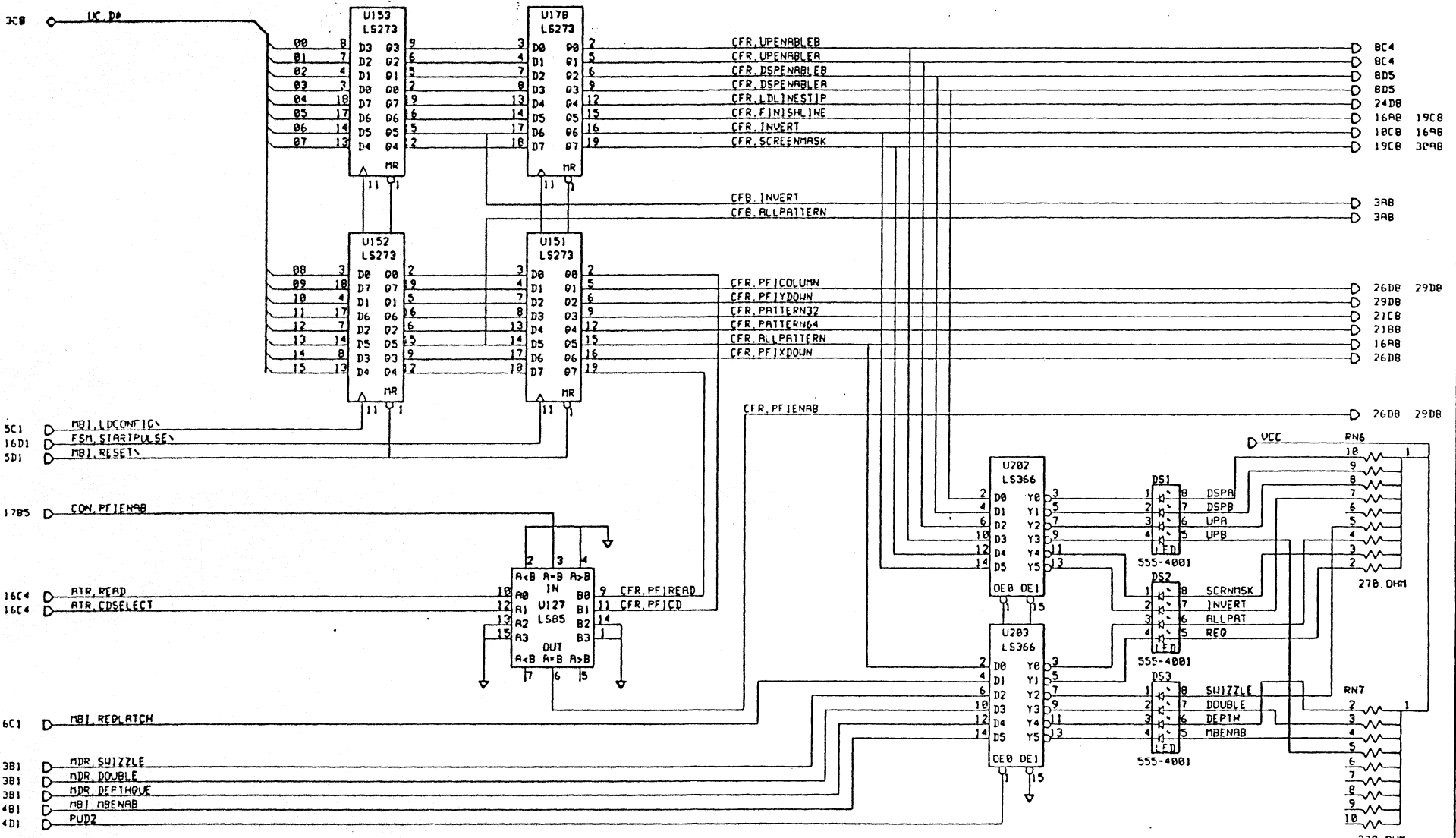


14A1 D ER.DELTA
3B1 D MDR.SWIZZLE

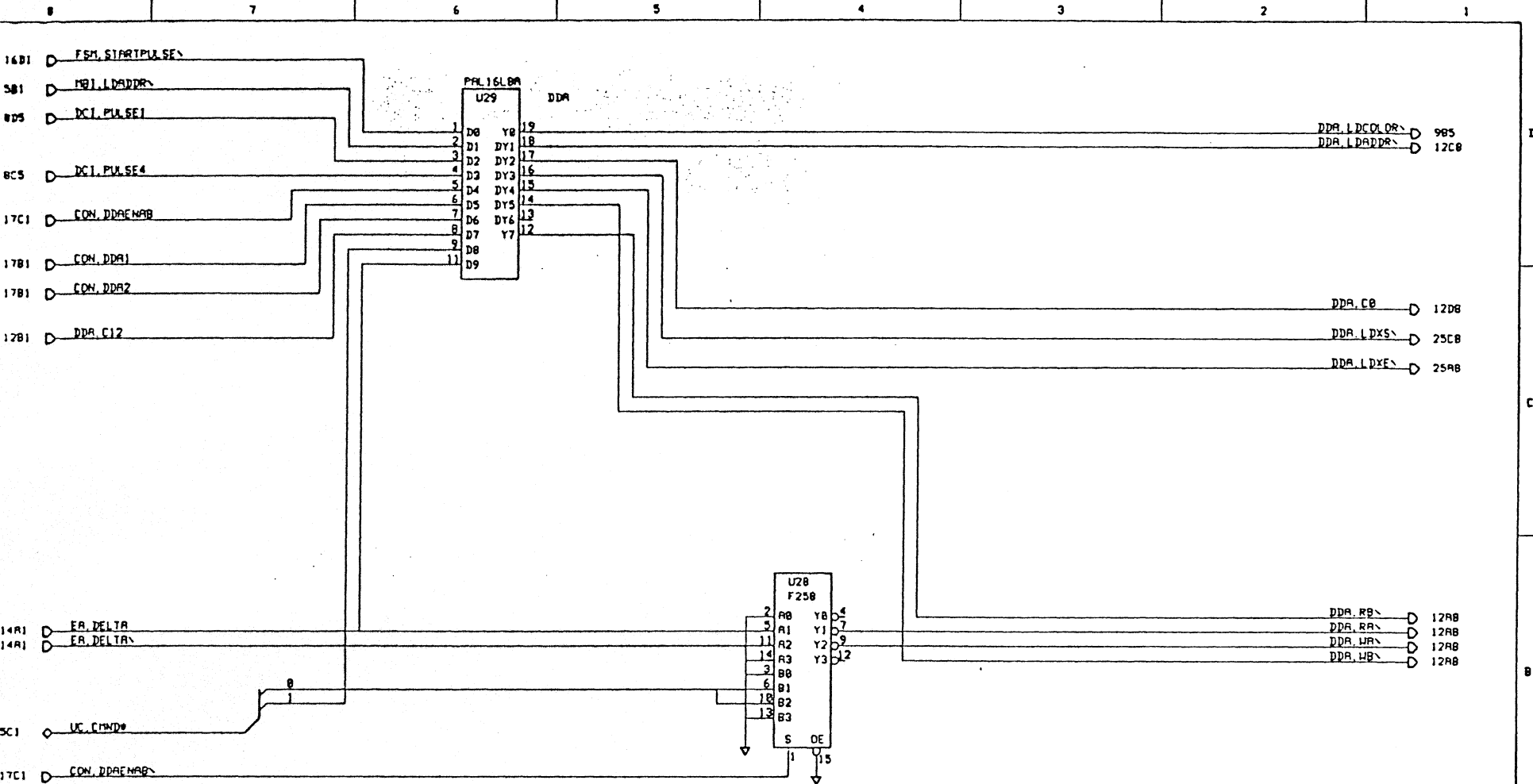
SILICON GRAPHICS INC.		REV	P2.DATA.PATH	
UC4	5000-500	A	6.MAR.1985	9.0F.30



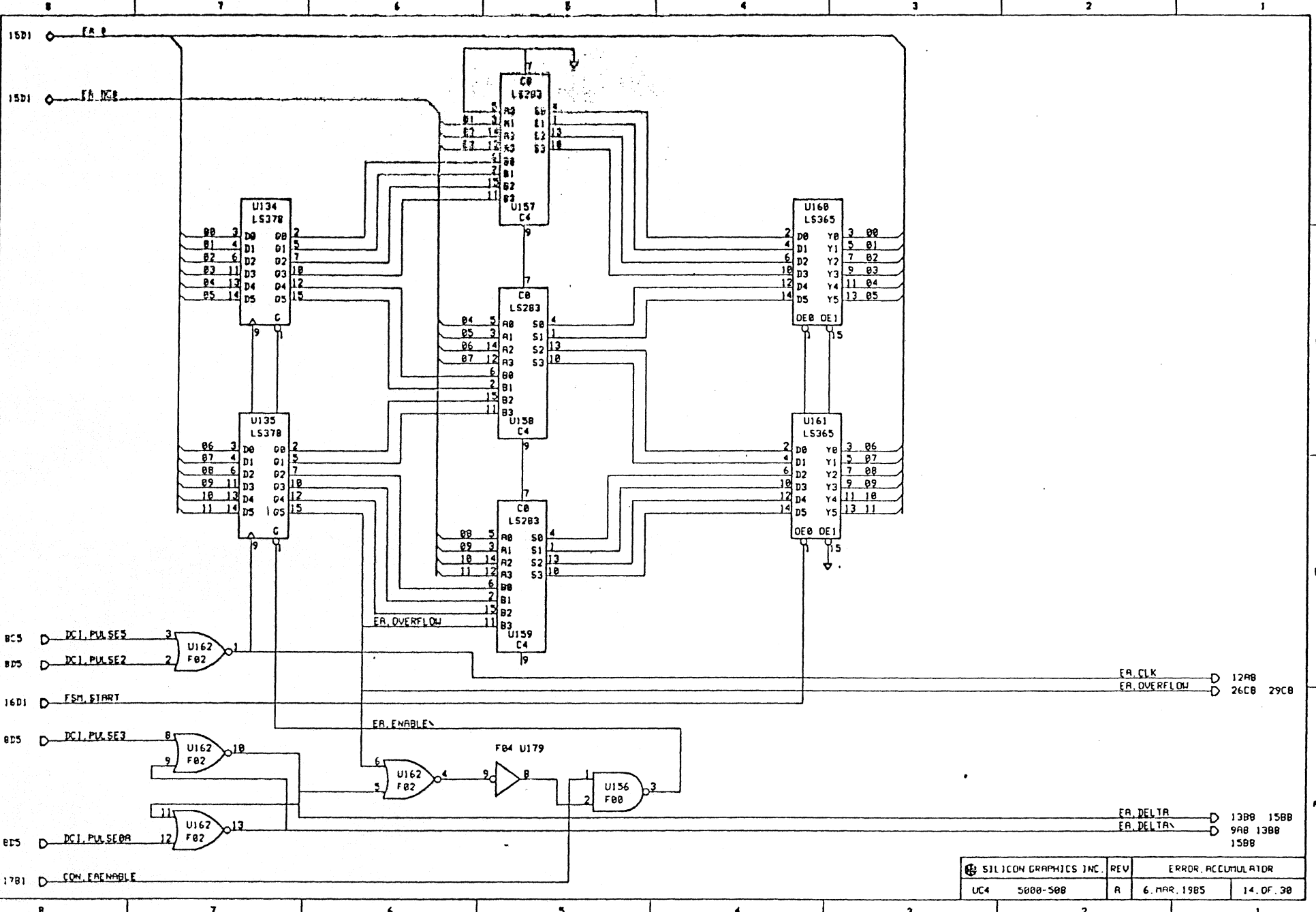
CONF. CURRITION, BUFFER/REGISTER



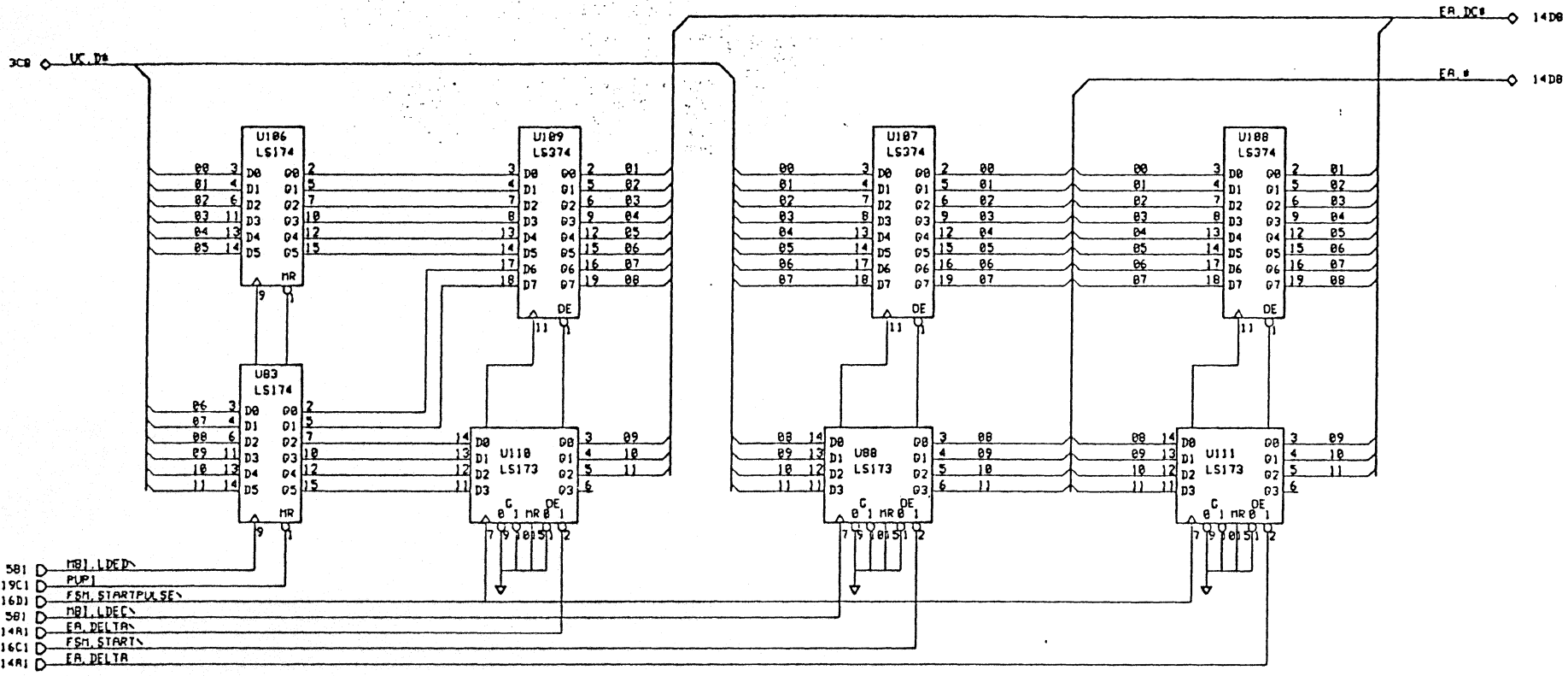
SILICON GRAPHICS INC.		REV	CONFIGURATION REGISTER	
UC4	5000-500	A	B. MAR. 1985	11.0F.30

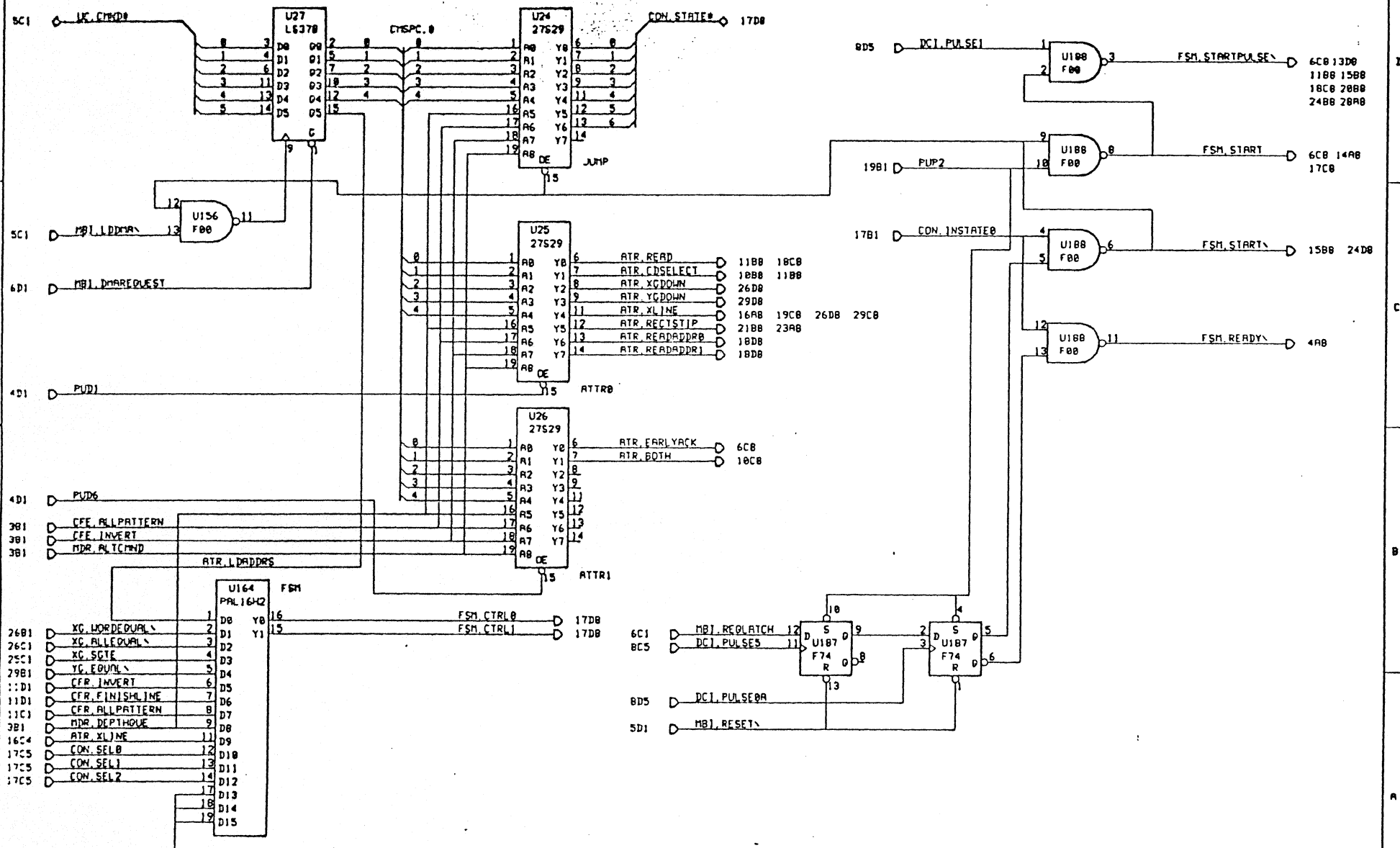


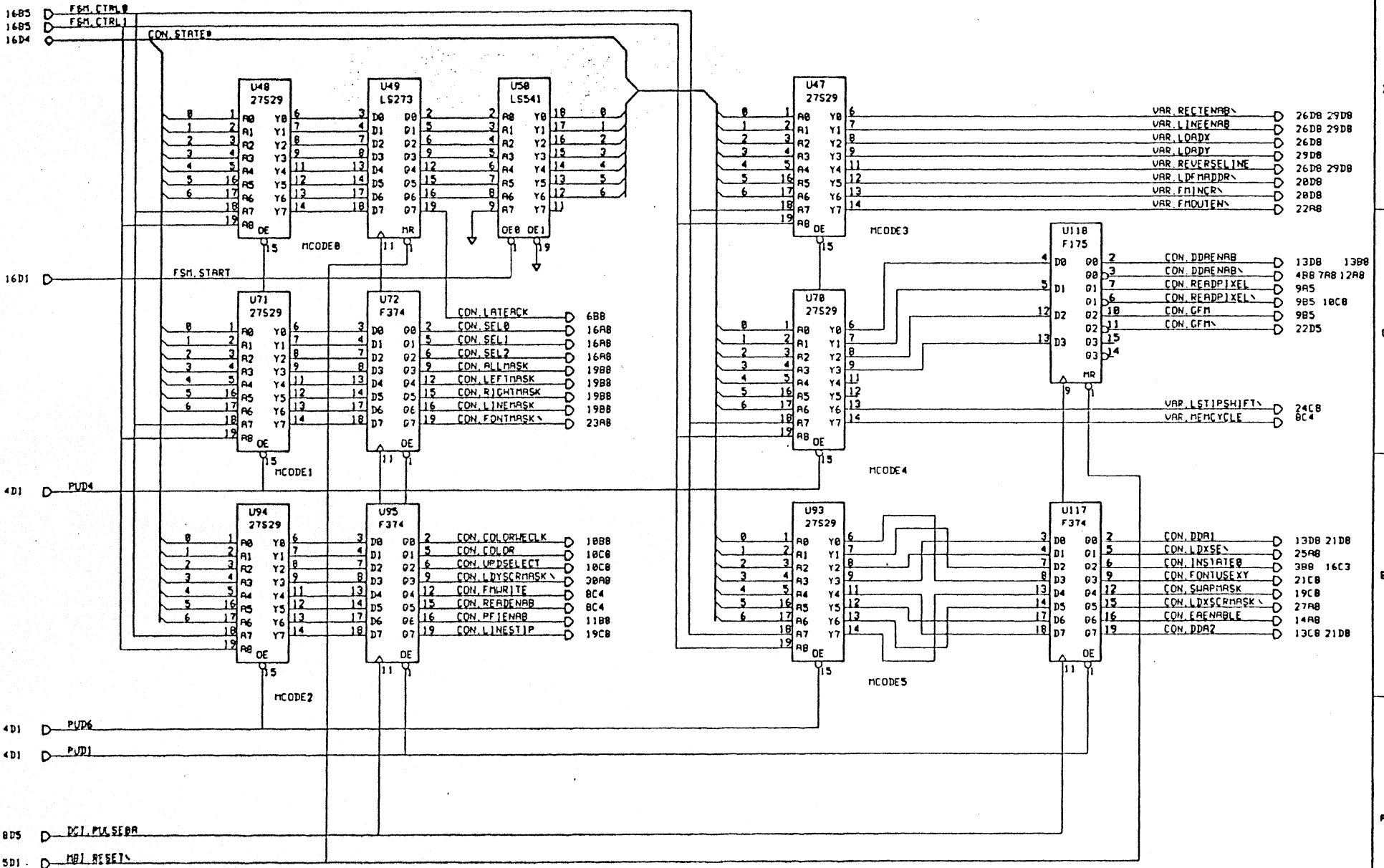
SILICON GRAPHICS INC.		REV	DDA CONTROL	
UC4	5000-508	A	6. MAR. 1985	13. OF. 38

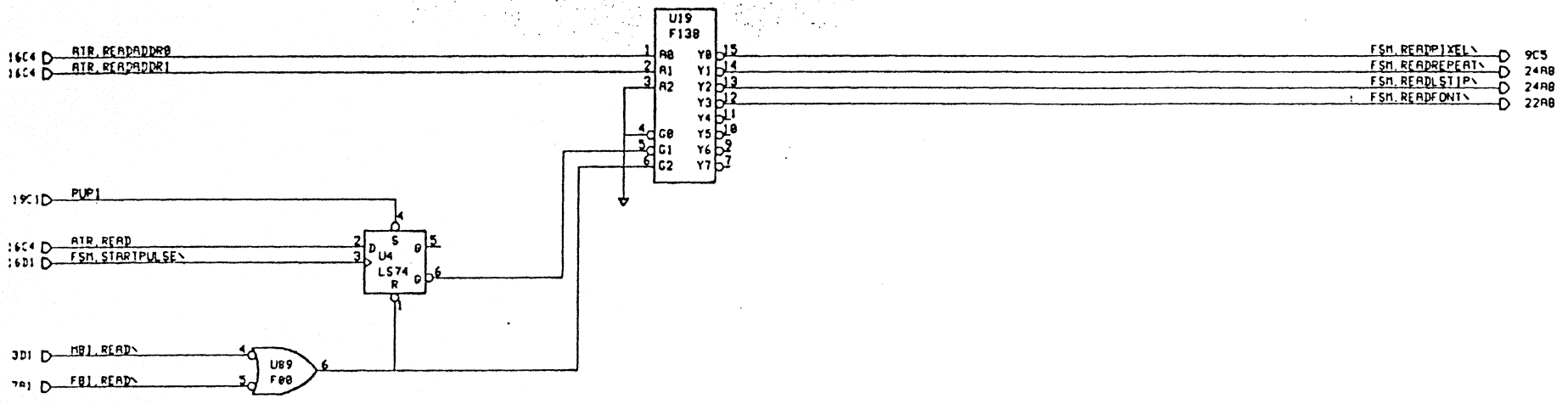


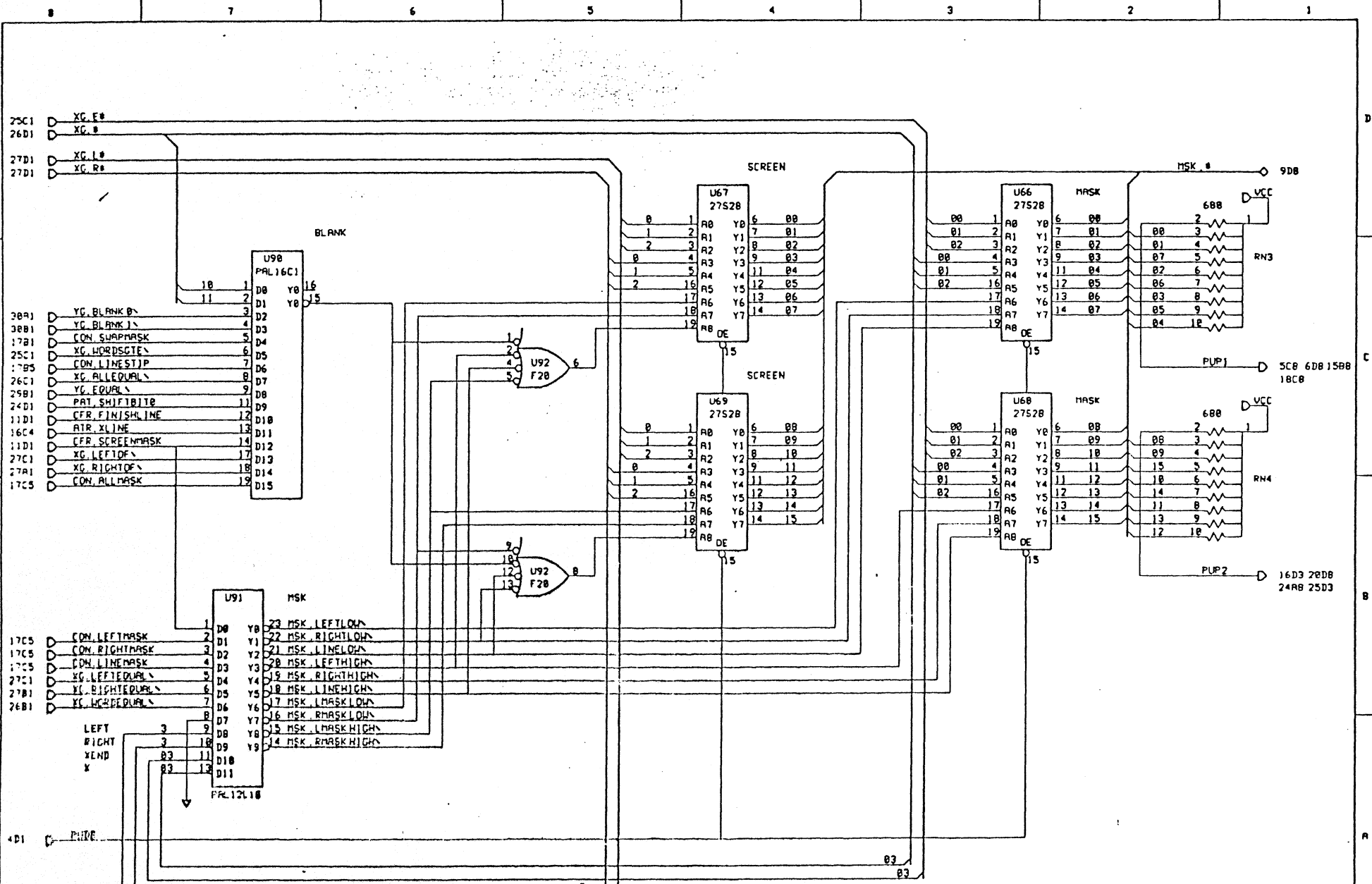
SILICON GRAPHICS INC.		REV	ERROR ACCUMULATOR	
UC4	5000-508	A	6. MAR. 1985	14. OF. 30











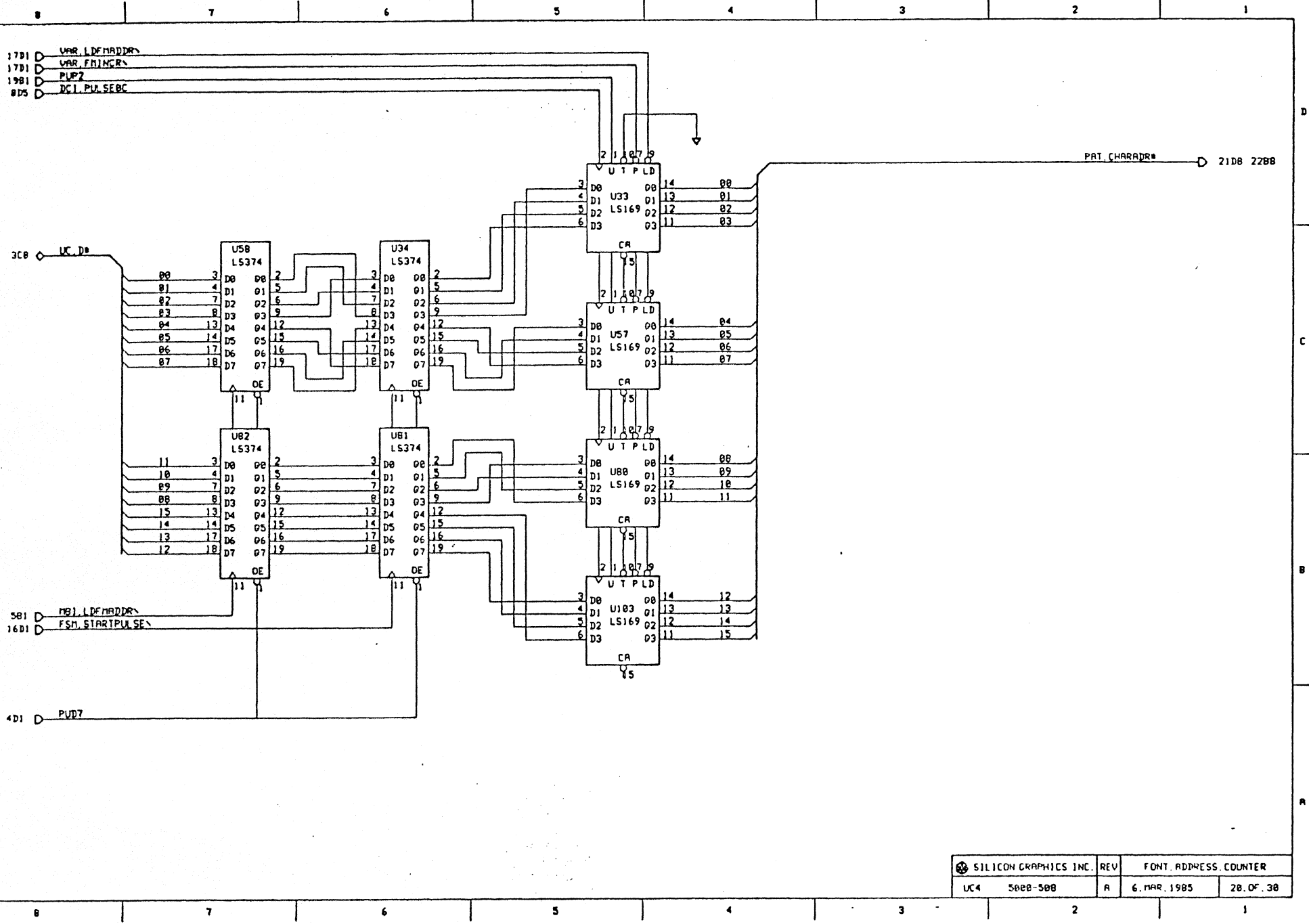
17D1 D VAR.LDFMADDR
 17D1 D VAR.FINICRN
 19B1 D PUPZ
 0D5 D DEL.PULSEBC

3CB LC.D0

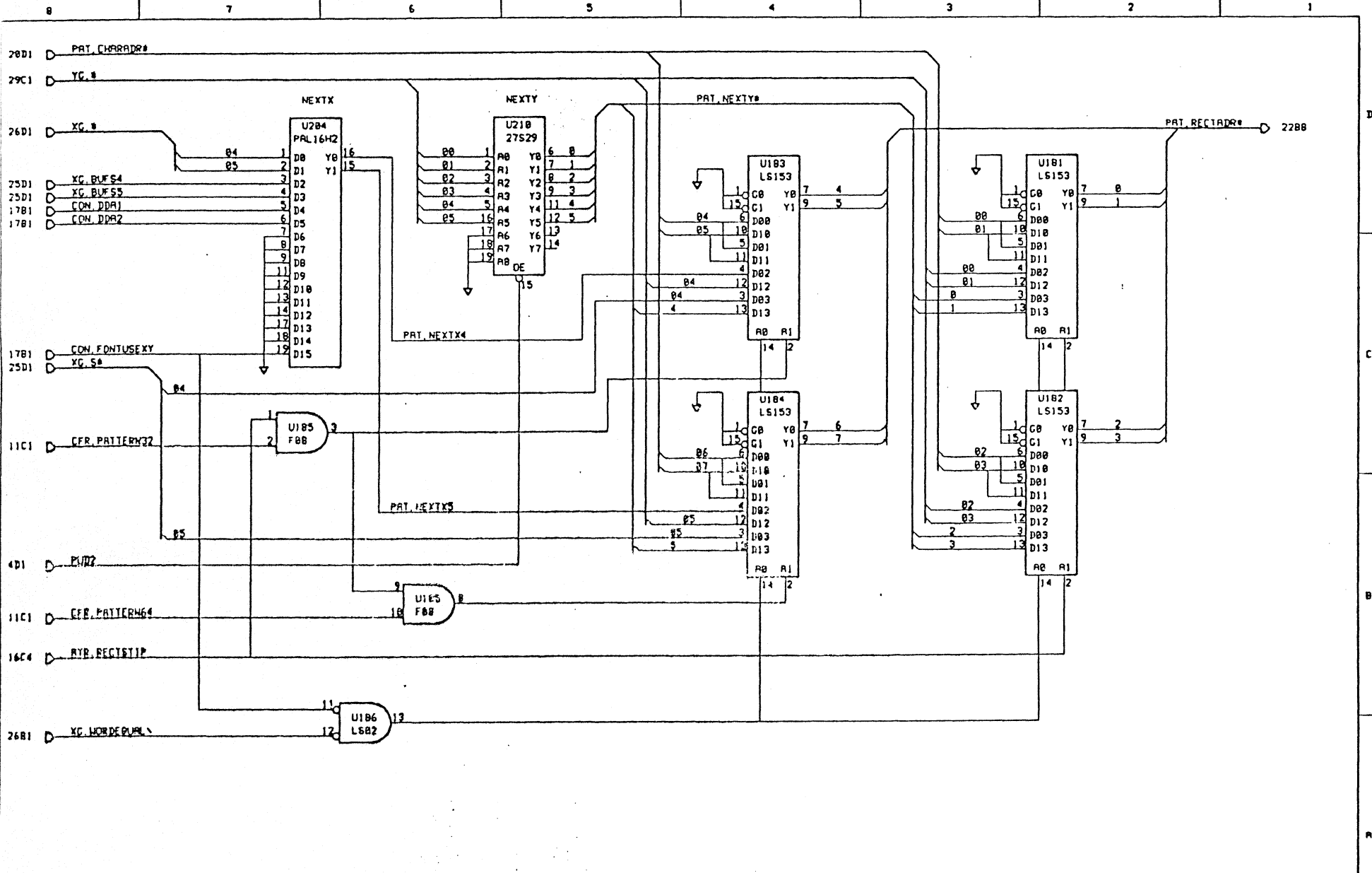
5B1 D MBL.LDFMADDR
 16D1 D FSM.STARTPULSE

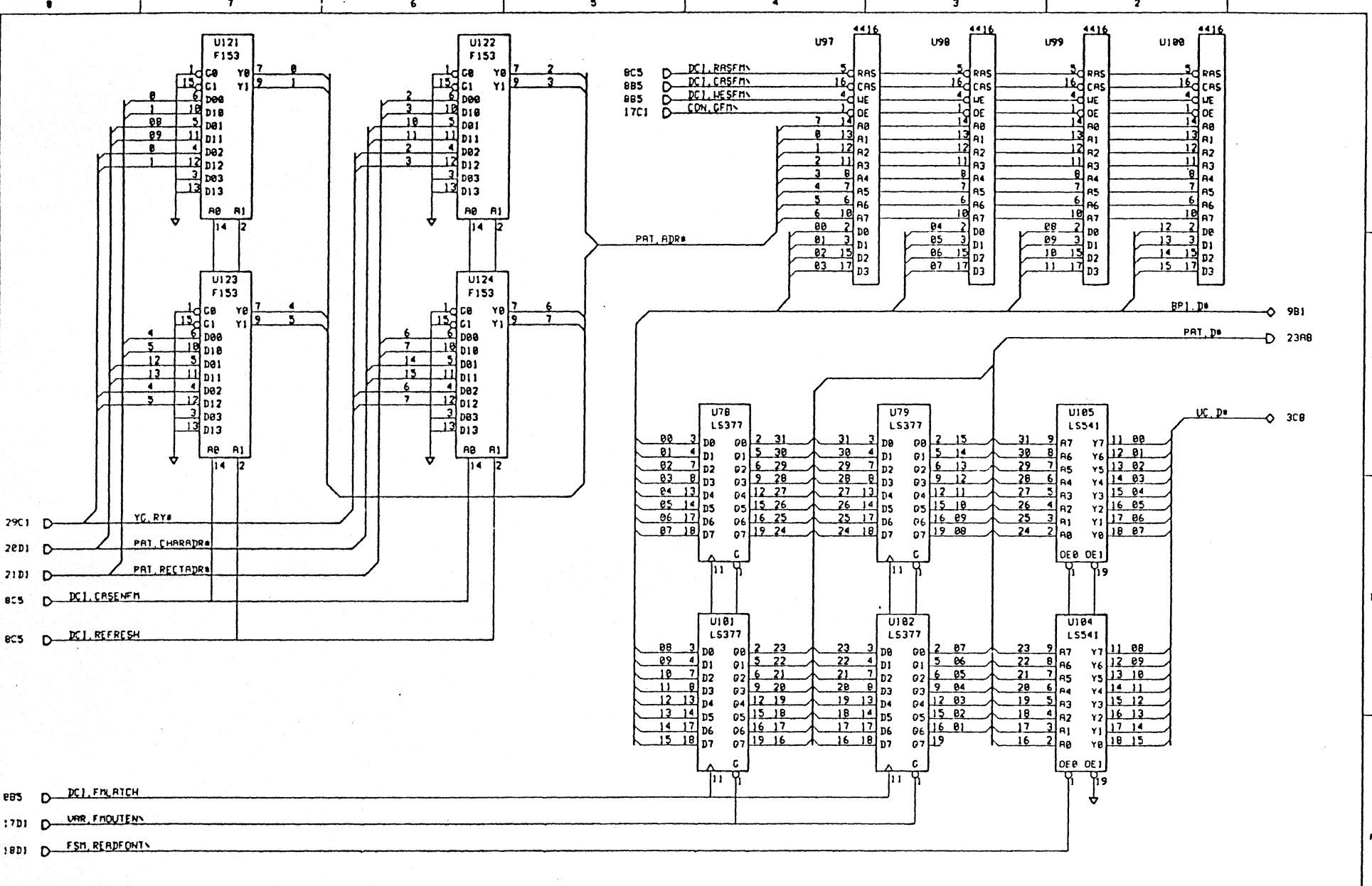
4D1 D PUD7

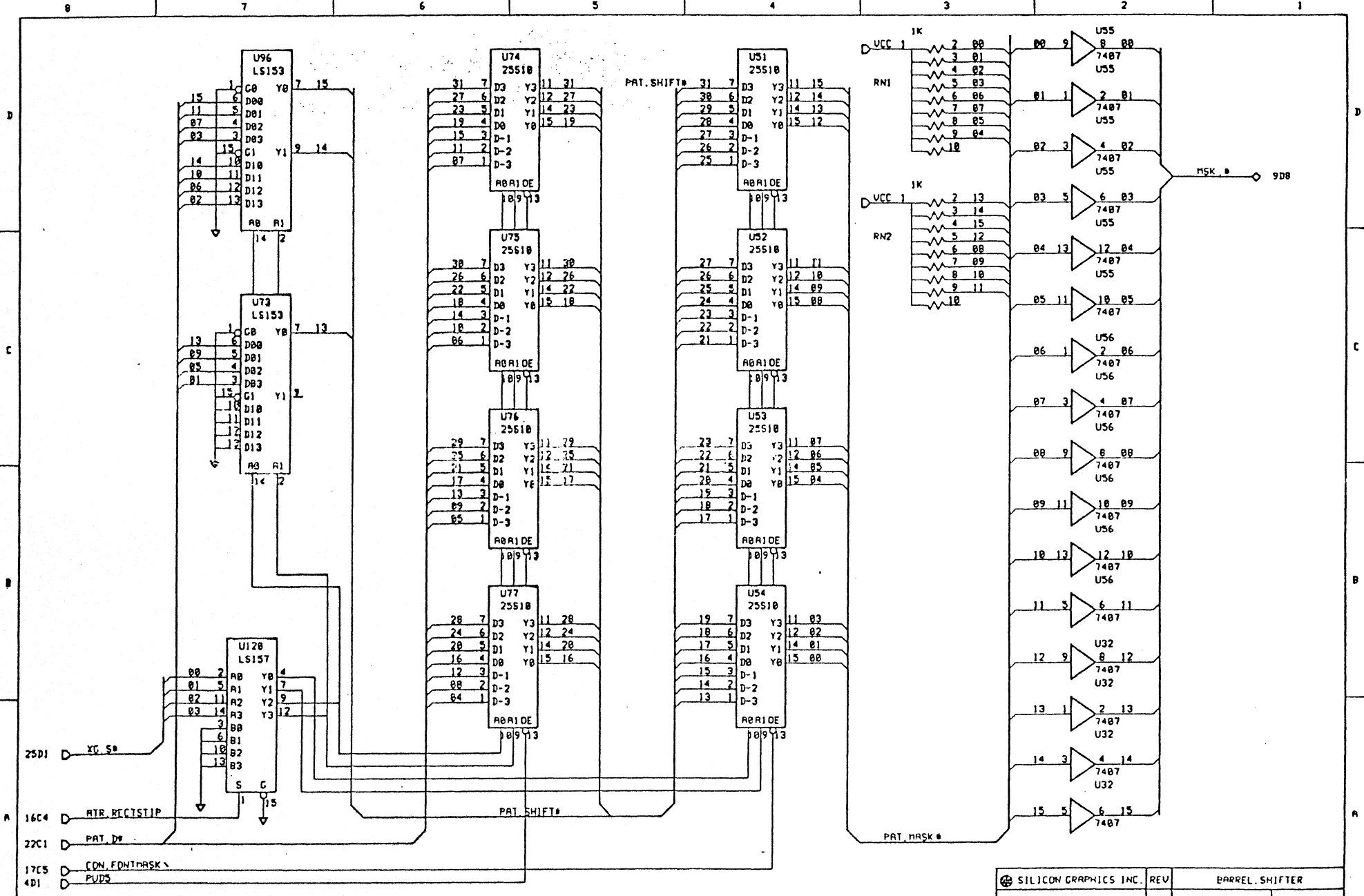
PAT.CHARADR 21DB 228B



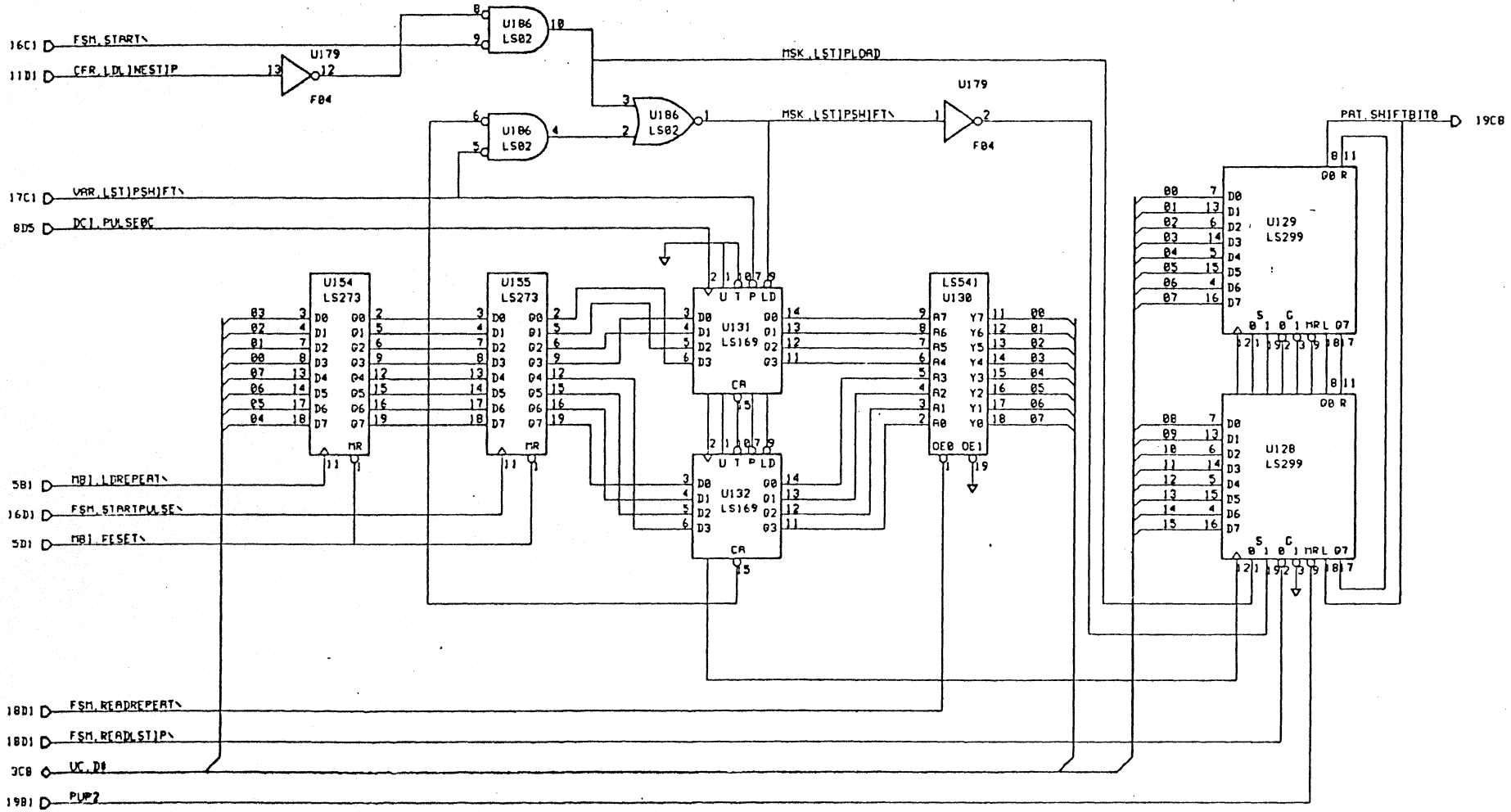
SILICON GRAPHICS INC.	REV	FONT ADDRESS COUNTER		
UC4	5000-500	A	6.MAR.1985	28.OF.38

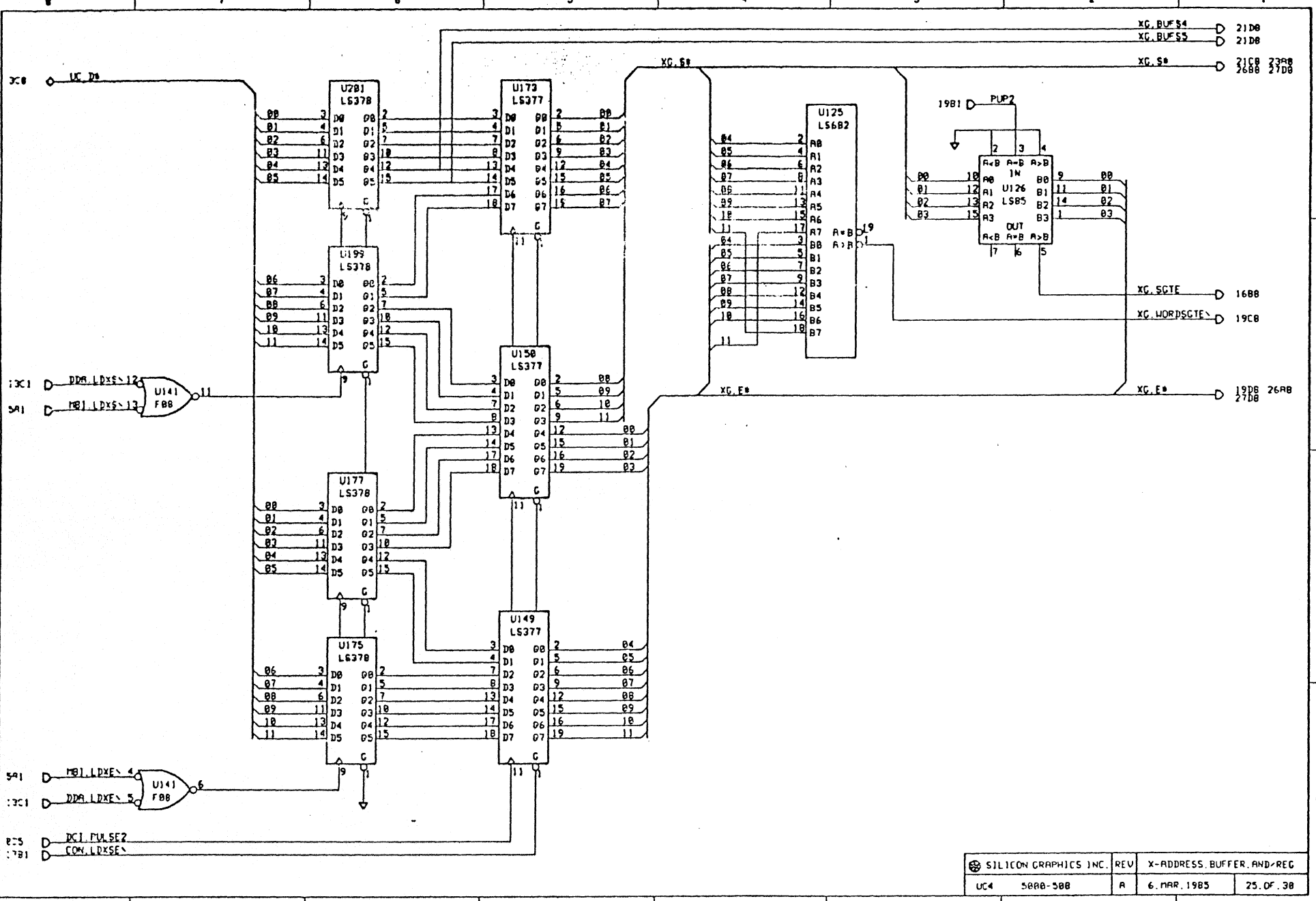




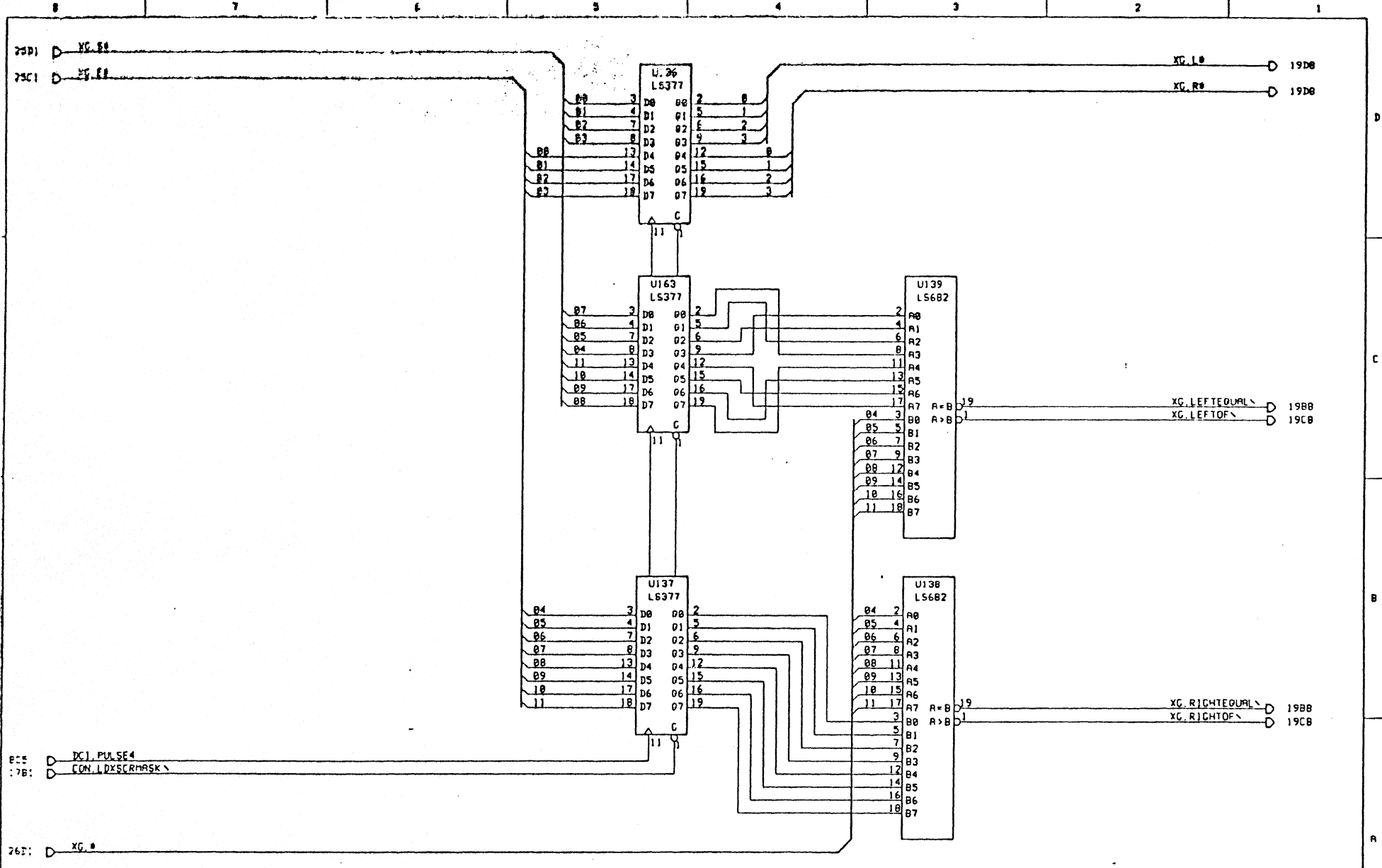


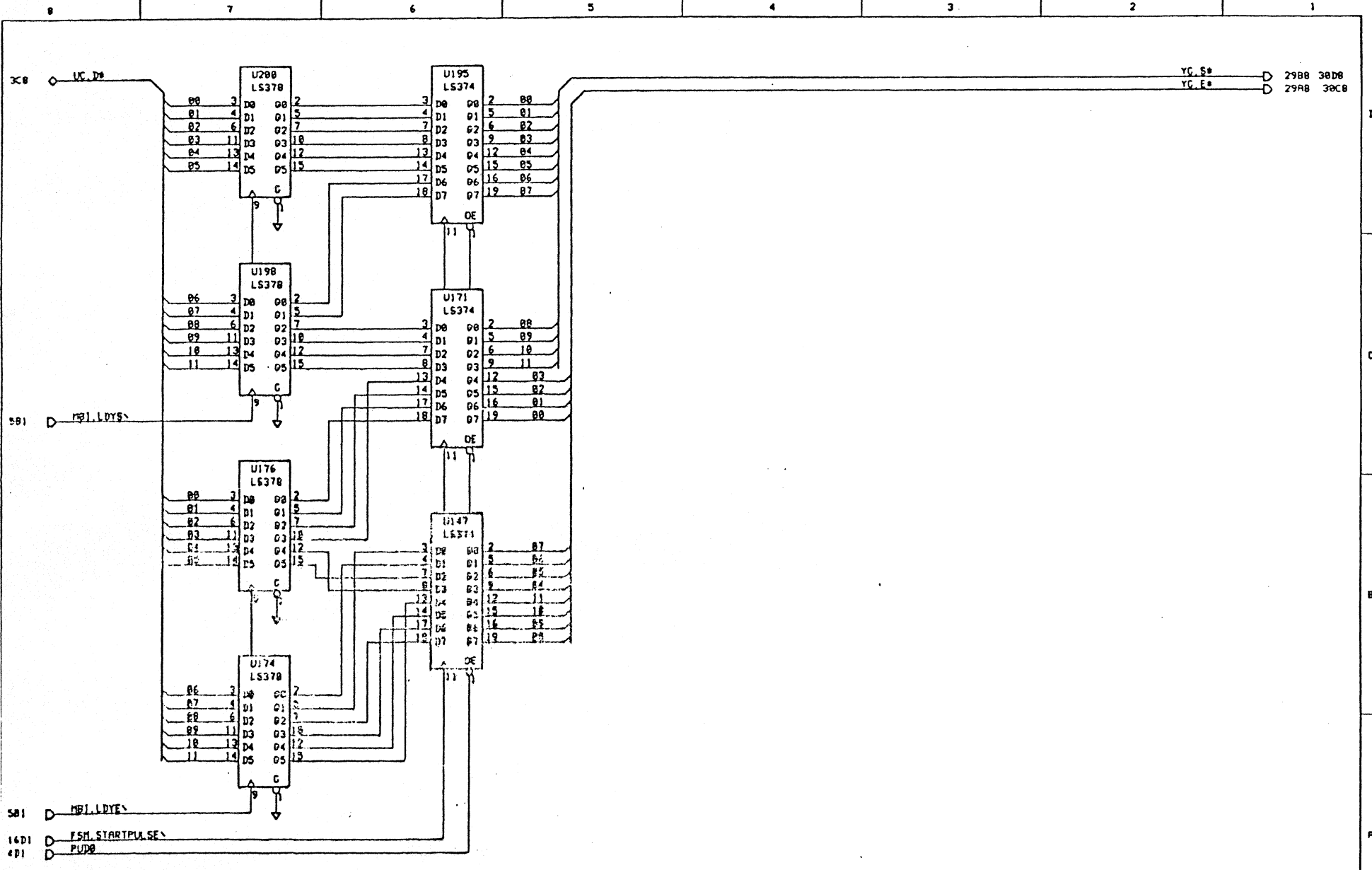
SILICON GRAPHICS INC.		REV	BARREL SHIFTER	
UC4	5000-500	A	6. MAR. 1985	23. OF. 30



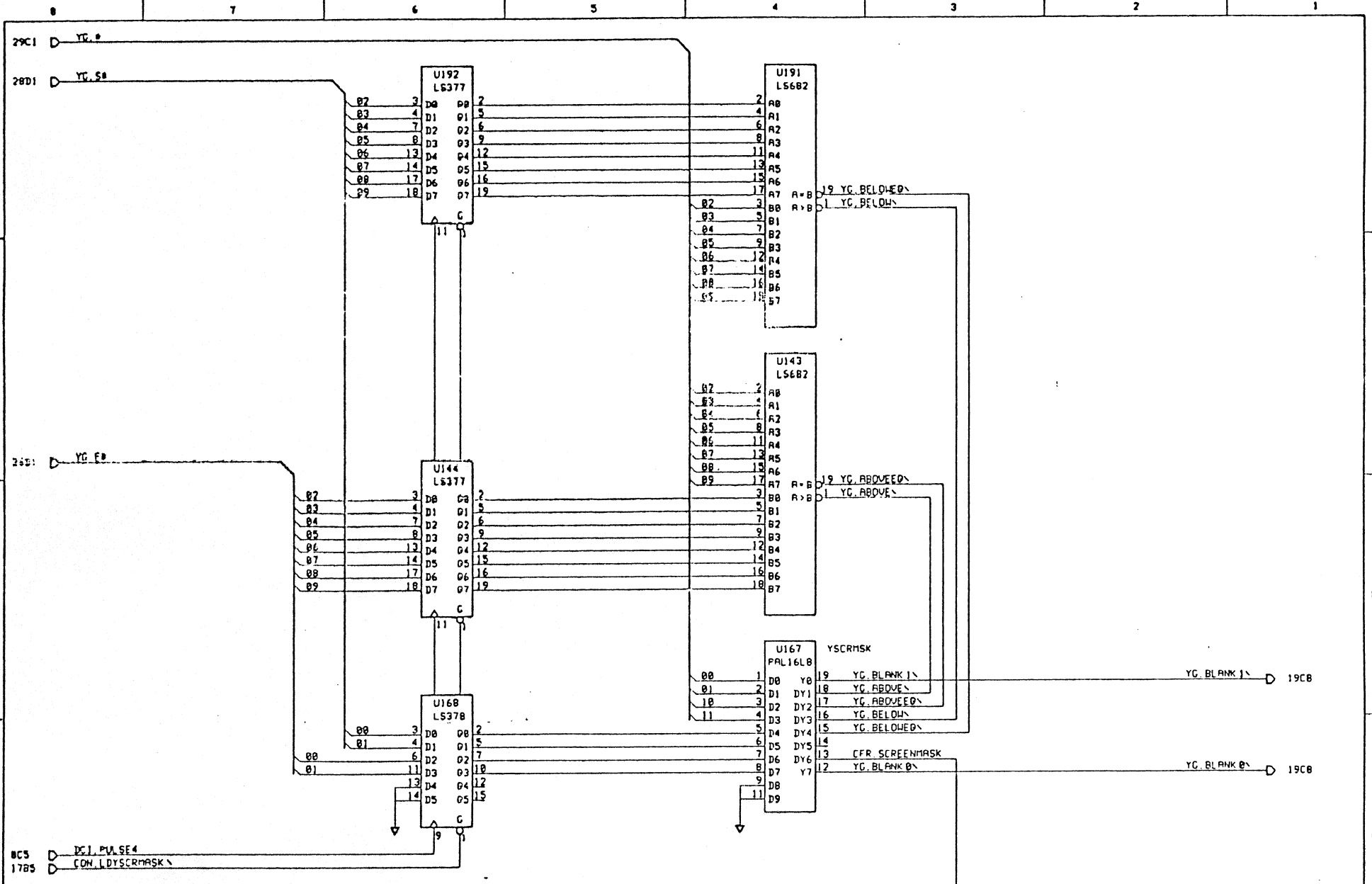


SILICON GRAPHICS INC.		REV	X-ADDRESS BUFFER AND REG	
UC4	5000-500	A	6. MAR. 1985	25 OF 30





SILICON GRAPHICS INC.		REV	Y-ADDRESS BUFFER AND REC	
UC4	5000-508	A	6. MAR. 1985	28. OF. 38



SILICON GRAPHICS INC.		REV	Y. SCREENMASK	
UC4	5000-508	A	6. MAR. 1985	38 OF 38