

REFERENCE DESIGNATIONS ARE ABBREVIATED. PREFIX THE DESIGNATION WITH UNIT NUMBER OR ASSEMBLY DESIGNATION OR BOTH. (MIL. STD. 168)

- NOTES:
1. REV. LETTERS LISTED INDICATE STATUS OF EACH SHEET OF THIS MULTIPLE SHEET DRAWING.
 2. CHECK INDIVIDUAL SHEETS FOR REVISION LETTER AGAINST THIS SHEET BEFORE USING THIS DRAWING.

REVISION INDEX

PAGE	CHG	PAGE	CHG	PAGE	CHG	PAGE	CHG	PAGE	CHG	PAGE	CHG	PAGE	CHG
1	A	8	A	15	A	22	A	29	A				
2	A	9	A	16	A	23	A	30	A				
3	A	10	A	17	A	24	A	31	A				
4	A	11	A	18	A	25	A	32	A				
5	A	12	A	19	A	26	A	33	A				
6	A	13	A	20	A	27	A	34	A				
7	A	14	A	21	A	28	A	35	A				

MODULE LIST

ITEM	DESCRIPTION	MODEL	QTY
1	SIGNAL AMPLIFIER	AH10	5
2	CABLE DRIVER	AX14	5
3	CABLE DRIVER CONTROLLED RISE & FALL	AX16	2
4	AND/OR BUFFER AMP.	BH10	10
5	D.C. FLIP FLOP	FH19	5
6	BASIC FLIP FLOP	FH20	13
7	BASIC FLIP FLOP	FH21	1
8	DIODE, GATE #1	GK51	19
9	AND/OR INVERTER	IH10	2
10	AND GATE/INVERTER	IH14	8
11	RELAY MODULE	KX12	1
12	ONE SHOT MULTIVIBRATOR	OX12	1
13	PRIMARY POWER DETECTOR	SK60	2

REPLACEMENT PARTS LIST

ITEM	DESCRIPTION	DESIGNATORS	QTY	SUPPLIER AND PART NO.	ZIP
1	CONNECTOR, SOLDER TAIL 47 CONTACT #7008-47	A, B, C, D 26 THRU 45	80	ELCO CORP. 7008-047-000-502	19090
2	DIODE, SILICON SWITCHING	CR1, CR2 P160 CR1 THRU CR3 P159 CR4 THRU CR11 P157 CR1 THRU CR20 P181 CR1 THRU CR27 P155	2 3 11 20 27	CONT. DEVICES IN914A OR IN3064 FAIRCHILD IN914A OR IN3064 GENERAL ELECTRIC IN914A OR IN3064 HUGHES IN914A OR IN3064 ITT SEMICONDUCTOR IN914A OR IN3064 TEXAS INST. IN914A OR IN3064	90250 94041 42302 92663 01841 75222
3	RESISTOR, 1/2W. ± 2% FIXED FILM	R1 THRU R40 P159 R1 THRU R20 P157 R29 P157 R30 THRU R32 P157 R1 THRU R20 P161 R4 THRU R30 P155	40 28 1 3 20 27	AMPEREX E009 SERIES CORNING C-20 INT. RES. CO. MDA, MEA TEXAS INST. GP 1/2 WELWYN F-20	11802 16701 52602 75222 44091
4	RESISTOR, 1/2W. ± 2% FIXED FILM	R41 THRU R43 P159 R33 THRU R43 P157 R20 THRU R39 P161 R4 THRU R30 P155	3 11 20 27	AMPEREX E009 SERIES CORNING C-20 INT. RES. CO. MDA, MEA TEXAS INST. GP 1/2 WELWYN F-20	11802 16701 52602 75222 44091
5	INDUCTOR, MOLDED .75 TO 10000 MICROHENRY	L1 THRU L40 P159 L1 THRU L28 P157 L29 P157 L30 THRU L32 P157 L1 THRU L20 P161 L1 THRU L3 P-155	40 28 1 3 20 3	BELEVAN ELECT. 1537 SERIES 085 J.W. MILLER CO. 9310 SERIES 085 NYTRONICS INC. DD DR WEE 035 STANWYCK WINDING 20,000 SERIES 085	14052 90003 07922 12551

PAGE 1

9367
131564

DIAGRAM, LOGIC, CONTROLLER

131820

109

9367
131564

131820

109

RELEASED TO MFG.

121820

DIRECTORY

A

ACT 32
 AFA 6
 AF3 6
 AFC 6
 AFL 6
 AIN 6
 BA11 — BA17 5
 OA09 — OA11 6
 OA12 — OA17 7
 OA18 — OA23 8

B

BSC 9
 BUC 32

C

CD1 — CD6 9
 CLH 9
 CLK 17
 CNT 18
 CUI 9
 CO9 — CO23 5
 C12W — CO23W 32

D

DAP 34
 DMA 32
 DMW 32
 DRA 6
 DRK 18
 DRV 28
 DRZ 28
 DO1 — DO6 34

E

ECW 31
 EDC 32
 ERP 14
 ERW 10
 EVP 25
 EOI 21

F

F01, F02 10
 OOF 10
 OIF 10
 O2F 10

G

GS1 — GS4 34
 GO1, GO2 34

H

HSD 6

I

IDN 32
 IDT 32
 INT 5
 IOC 32
 IWO 32

K

KQ1 — KQ4 19
 KOS — K07 20

L

LDA 6
 LDS 28
 LDV 28
 LDZ 28
 LRC 28
 LR1 — LR4 30
 LSC 18
 LVR 28

M

MSA 6
 MO1 MO2 18

N

NNL 19
 NUF 13
 NXL 19

P

PCP 25
 PIN 34
 PNC 12
 PST 14
 PTO 5
 PT1 5
 PT2 5
 PUF 31
 PWR 17
 PO1 — PO4 24
 POS PO6 25

R

RCN 30
 REN 30
 RFI 13
 RL1, RL2 17
 RTI 34
 RTO 5

S

SAC 9
 SHS 28
 S10 31
 SIP 9
 SKE 31
 SKP 31
 SKR 31
 SPR 24
 STO 5
 STV 28
 S01 — S06 22
 S07 — S12 23

U

US1 — US4 5
 U01, U02 11
 U03 12
 U04, U05, U06 13
 UIU 11
 Z3U 11

V

V01 — V12 27
 9V01 — 9V12 33

W

WD1, WD4 29
 WEN 29
 WES 31
 WMS 31
 WLK 10
 WPC 18
 W50, W60 32
 W90 32
 W10 — W14 32

X

X01 — X04 14
 X05 13
 X06, X07 15
 X08, X09 16
 X12 33

Z

Z01 — Z12 26

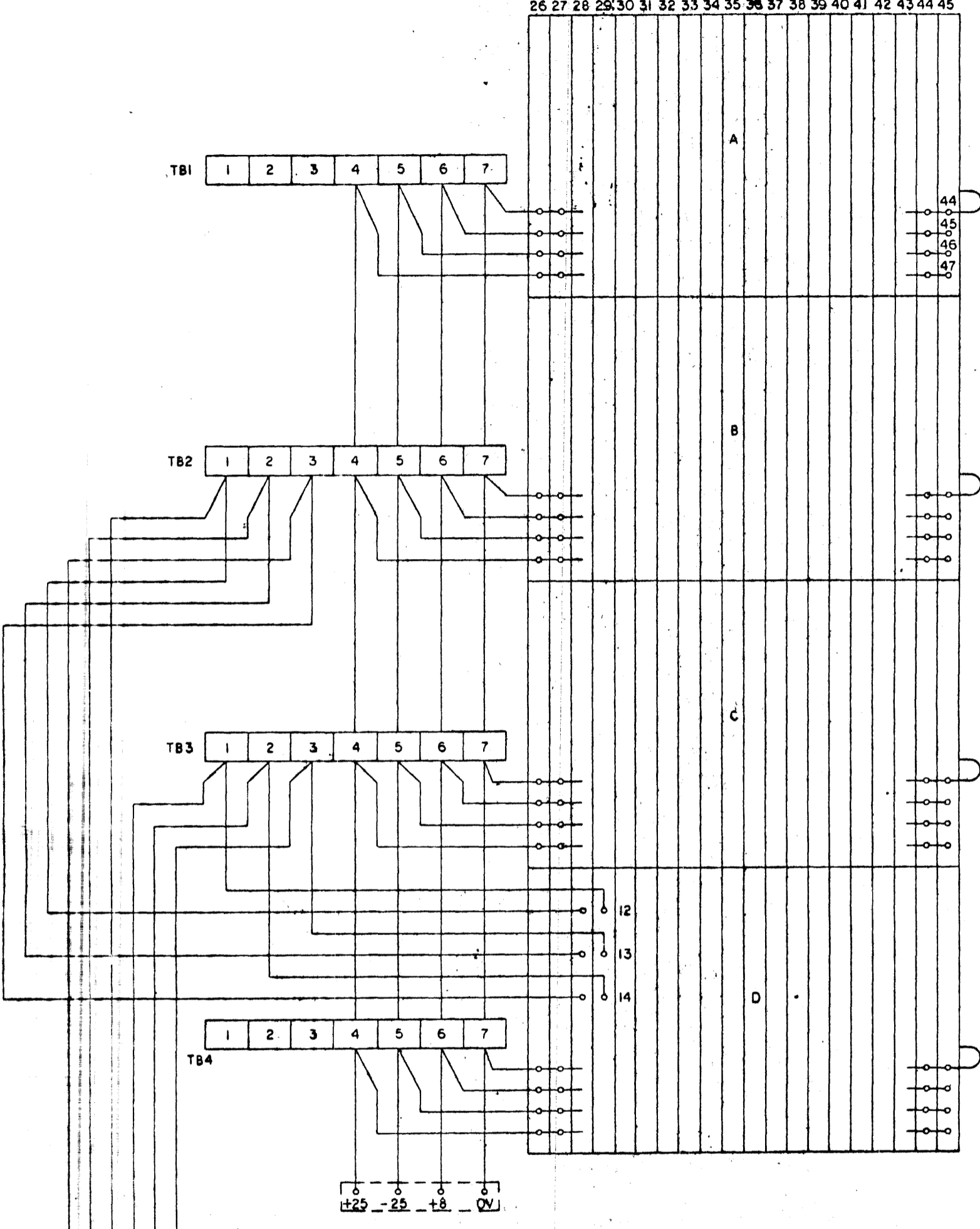
0

O0M 18
 O2M 18

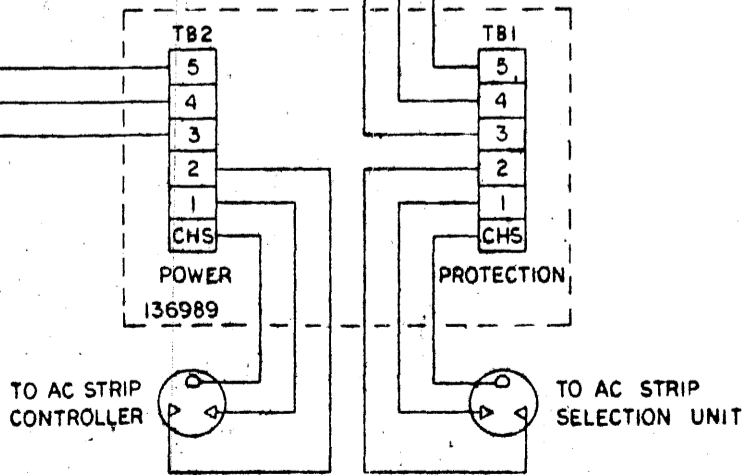
<p>SDS SCIENTIFIC DATA SYSTEMS SANTA MONICA, CALIFORNIA</p>		<p>DIAGRAM, LOGIC, CONTROLLER</p>		<p>131820</p>	
<p>REV. 1 131820 0-1-68</p>	<p>REV. 2 131820 0-1-68</p>	<p>REV. 3 131820 0-1-68</p>	<p>REV. 4 131820 0-1-68</p>	<p>REV. 5 131820 0-1-68</p>	<p>REV. 6 131820 0-1-68</p>
<p>DO NOT SCALE DRAWING</p>		<p>SHEET 2 OF 2</p>		<p>DATE 131820</p>	

RAD

26 27 28 29 30 31 32 33 34 35 36 37 38 39 40 41 42 43 44 45



+25 -25 +8 0V

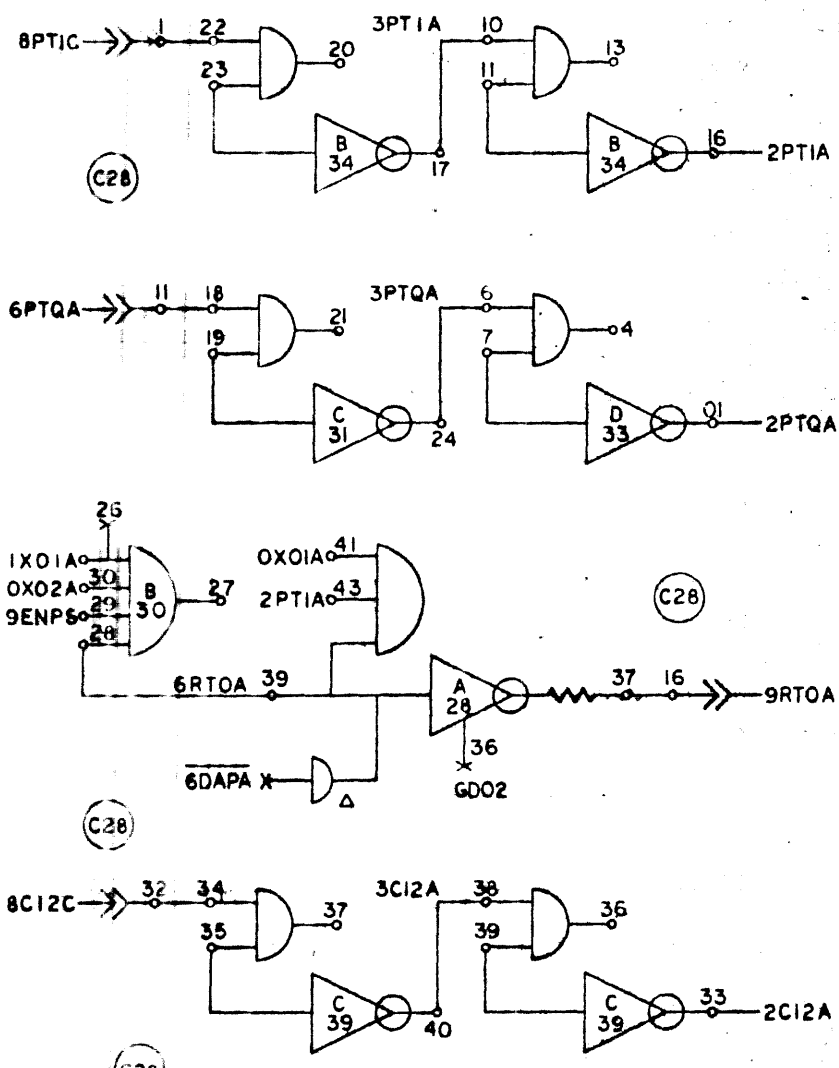


PAGE 3

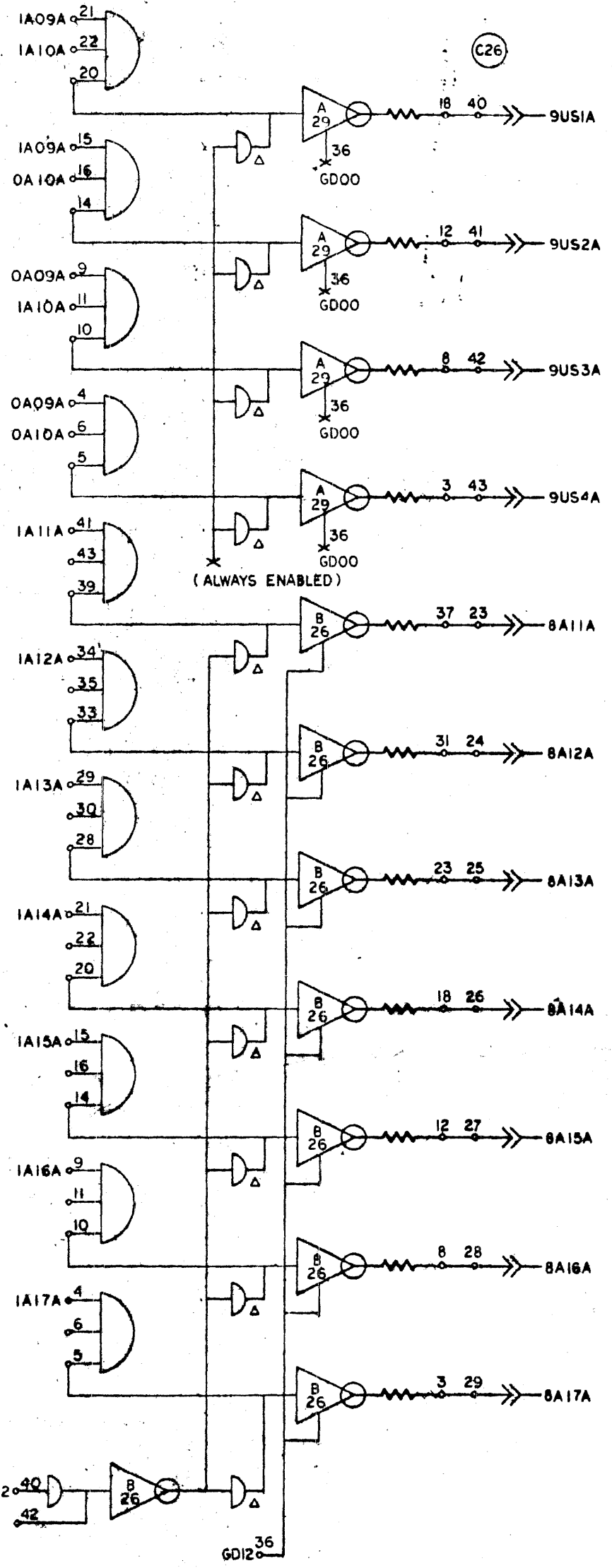
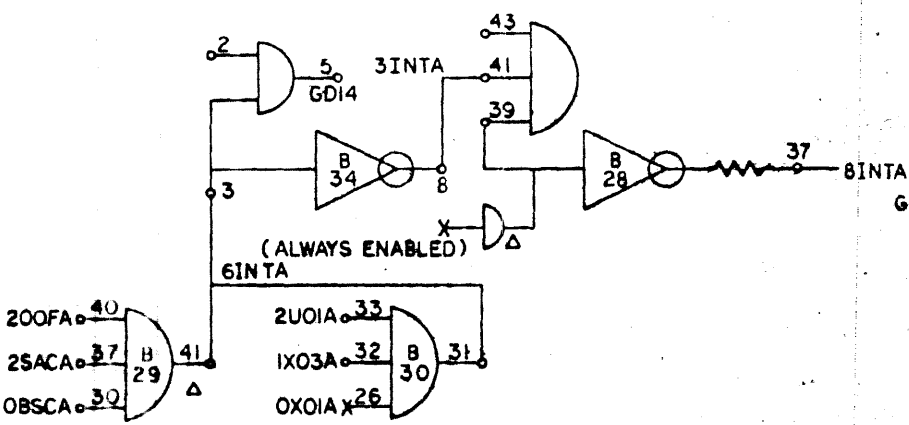
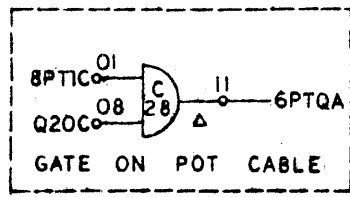
505		SCIENTIFIC DATA SYSTEMS	
DIAGRAM, LOGIC,		SANTA MONICA, CALIFORNIA	
CONTROLLER			
SCALE	DATE	REV	APP
DO NOT SCALE DIMENSIONS	D 131820		
SHEET	3 OF 35		
	A		

REVISIONS			
REV	DESCRIPTION	CHK	DATE
A	MFG RELEASE		
			131820
			A

POT, UNIT SELECT, X-Y SELECT, INTERRUPT



- 2 8PT2C
- 17 8ST0C
- 29 8C09C
- 30 8C10C
- 31 8C11C
- 33 8C13C
- 34 8C14C
- 35 8C15C
- 36 8C16C
- 37 8C17C
- 38 8C18C
- 39 8C19C
- 40 8C20C
- 41 8C21C
- 42 8C22C
- 43 8C23C



SCALE	DATE	REV	DESCRIPTION
		D	13820
		A	

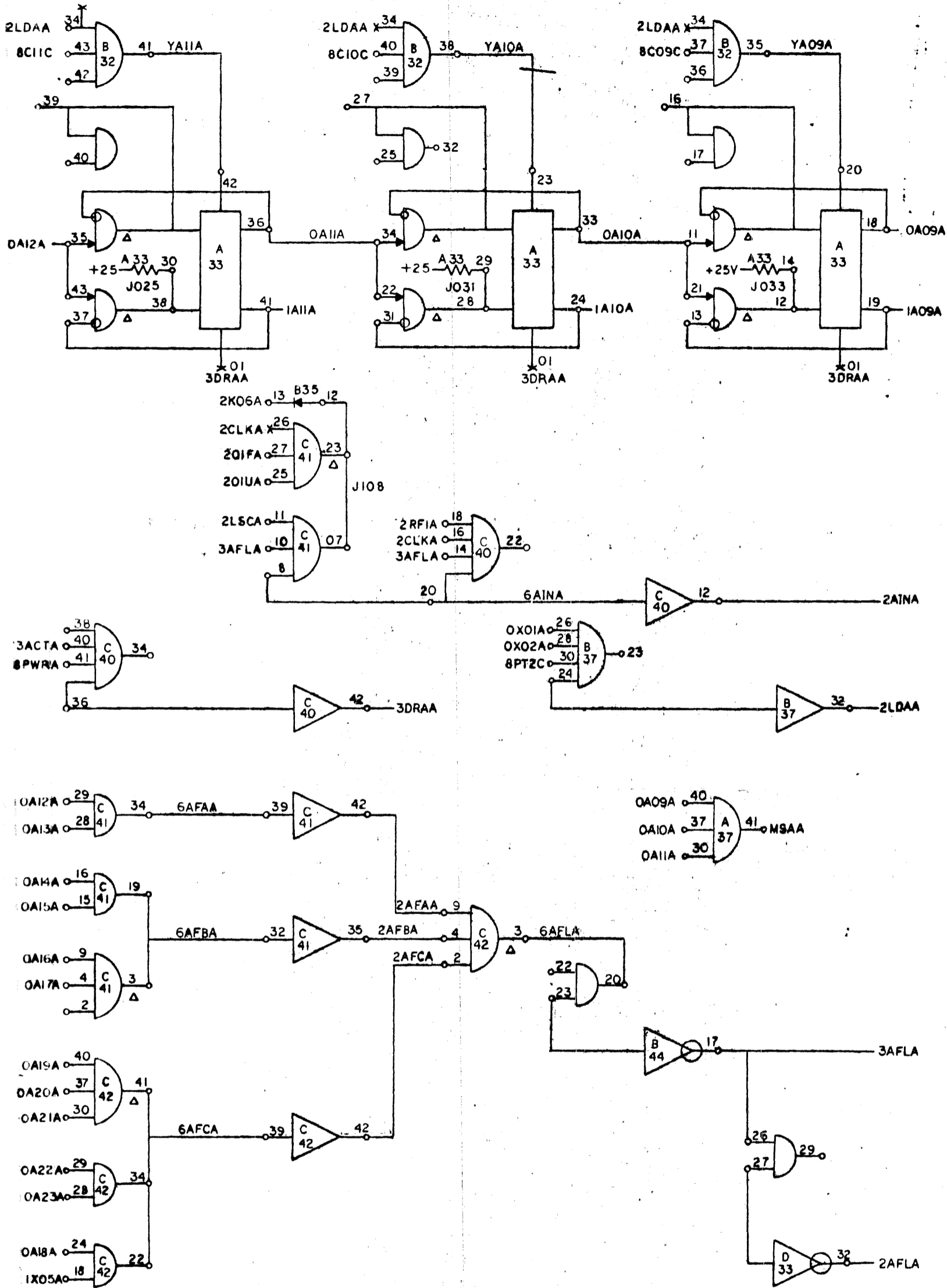
SDS

DIAGRAM, LOGIC,
CONTROLLER

REV	DESCRIPTION	DATE	BY	APP
A	MFG RELEASE			

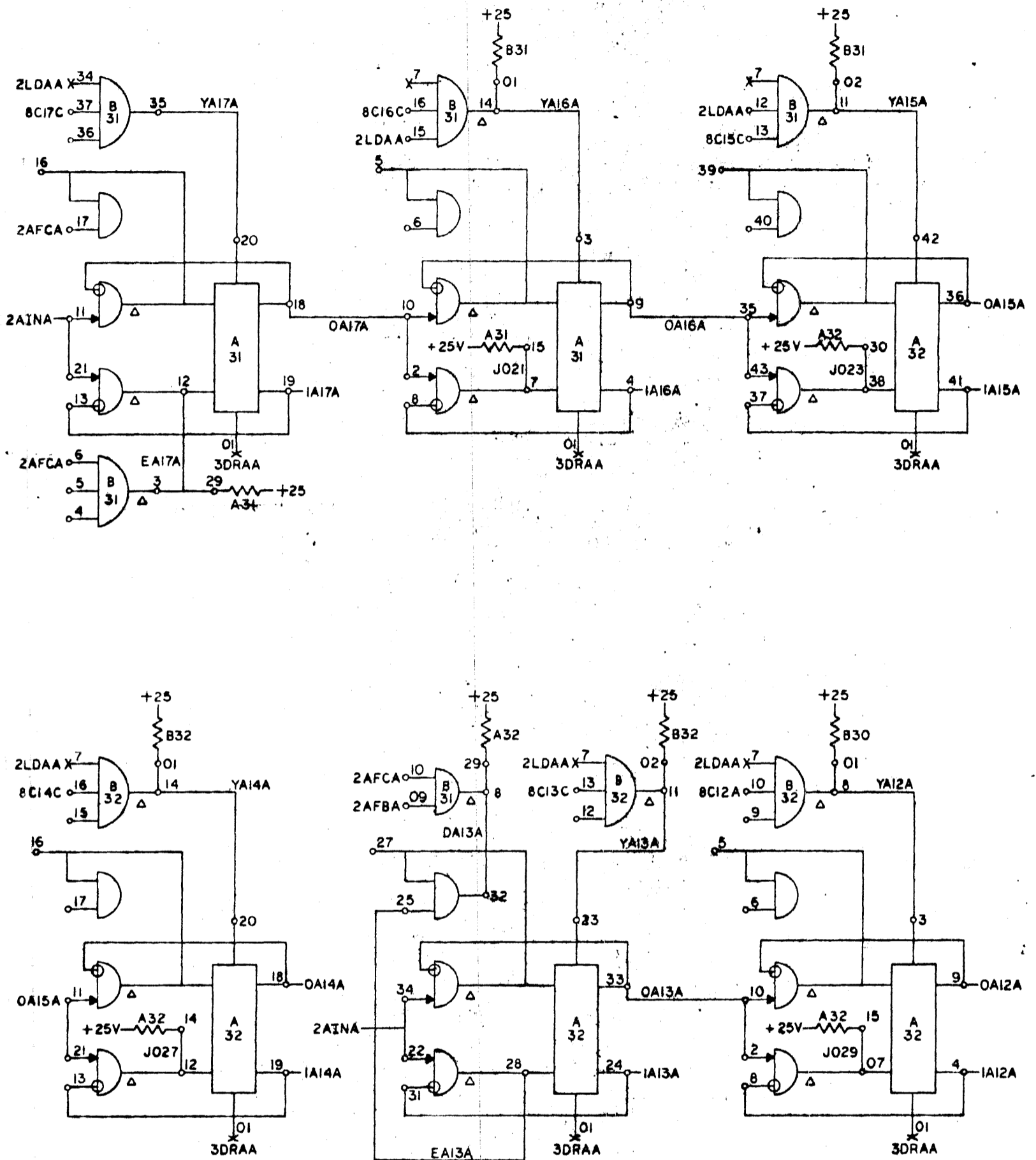
REV	DESCRIPTION	DATE	BY	APP
A	MFG RELEASE			

ADDRESS REGISTER
A9 → A11
AIN, DRA, LDA, AFL



131320 35	D A	3/20 A	REV	DESCRIPTION	DATE	APPROVED
			A	MFG RELEASE		
DIAGRAM, LOGIC, CONTROLLER			REVISIONS			

ADDRESS REGISTER
A12 → A17



24
A
D
131820
A

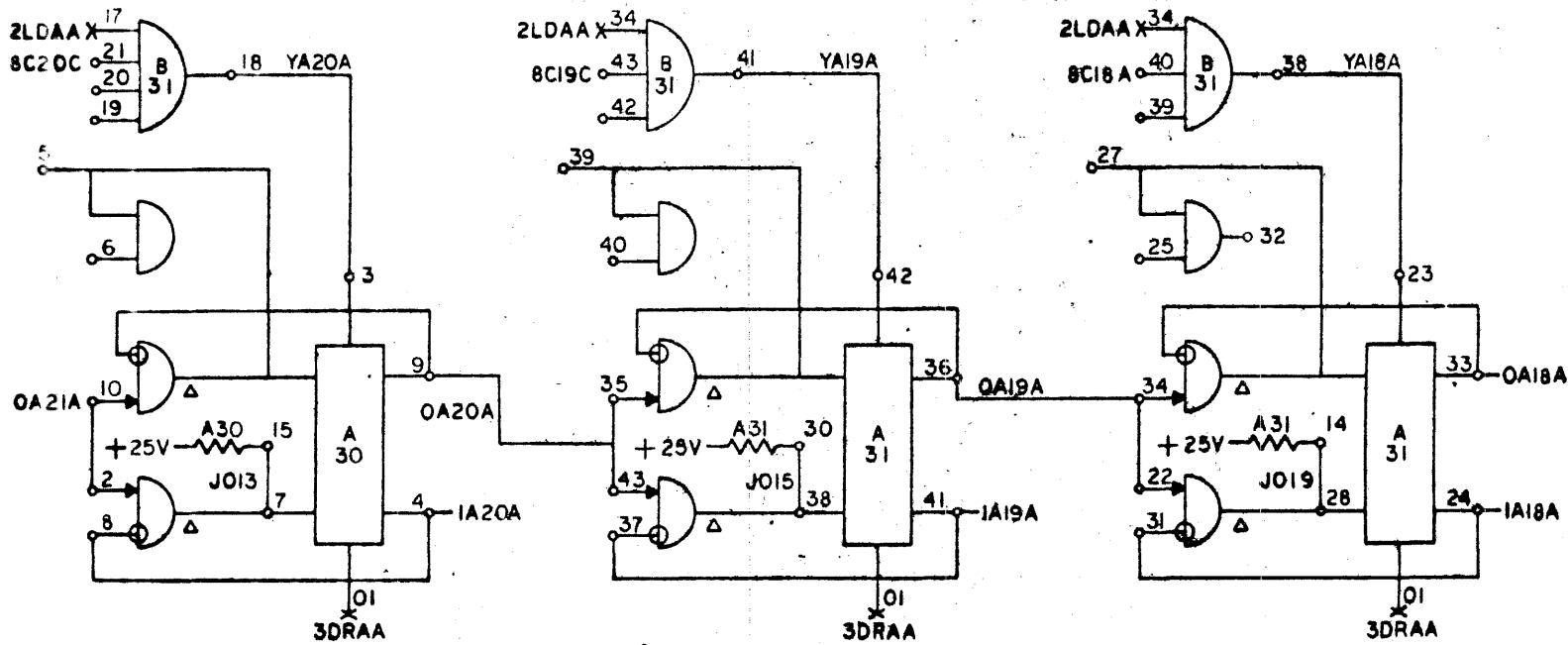
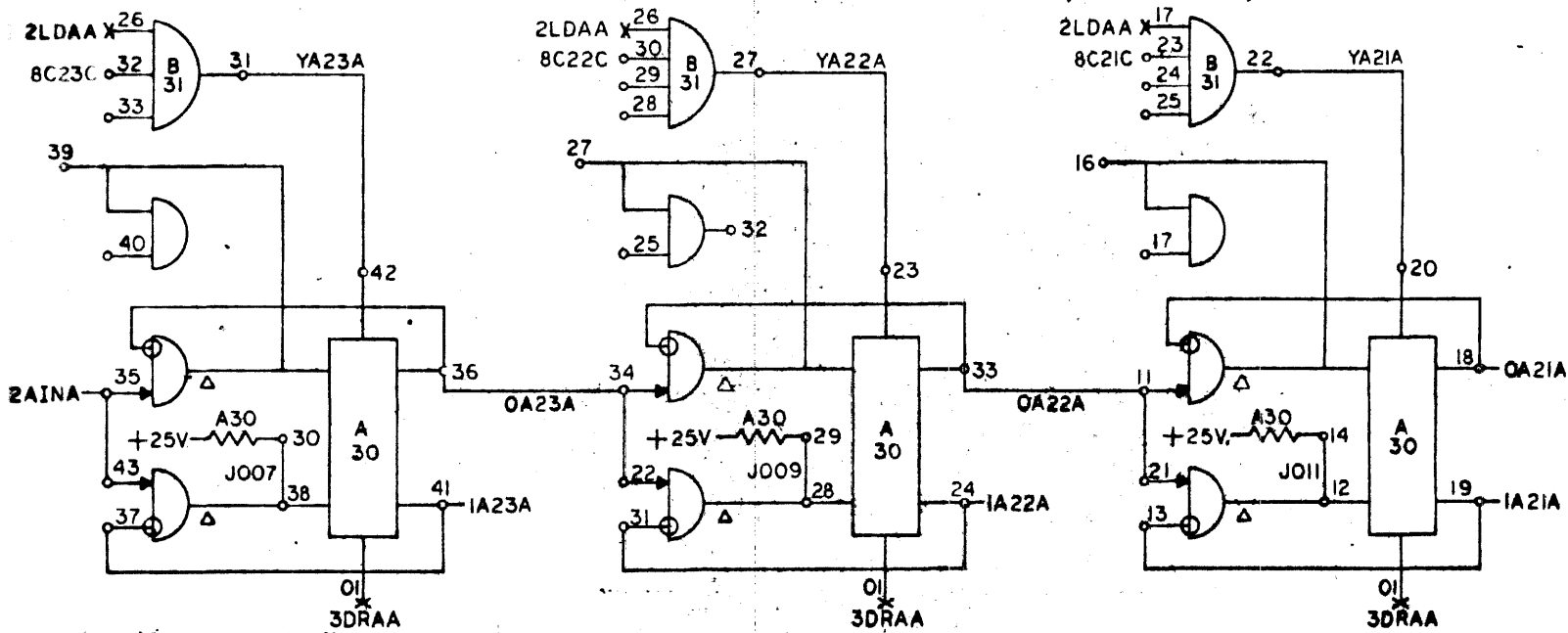
DIAGRAM LOGIC,
CONTROLLER



3777
1001

REV	DESCRIPTION	DATE	APPROVED
A	VFG RELEASE		

ADDRESS REGISTER
A18 → A23



1600 / 0000001
12 13 14 15 16 17 18 19 20 21 22 23

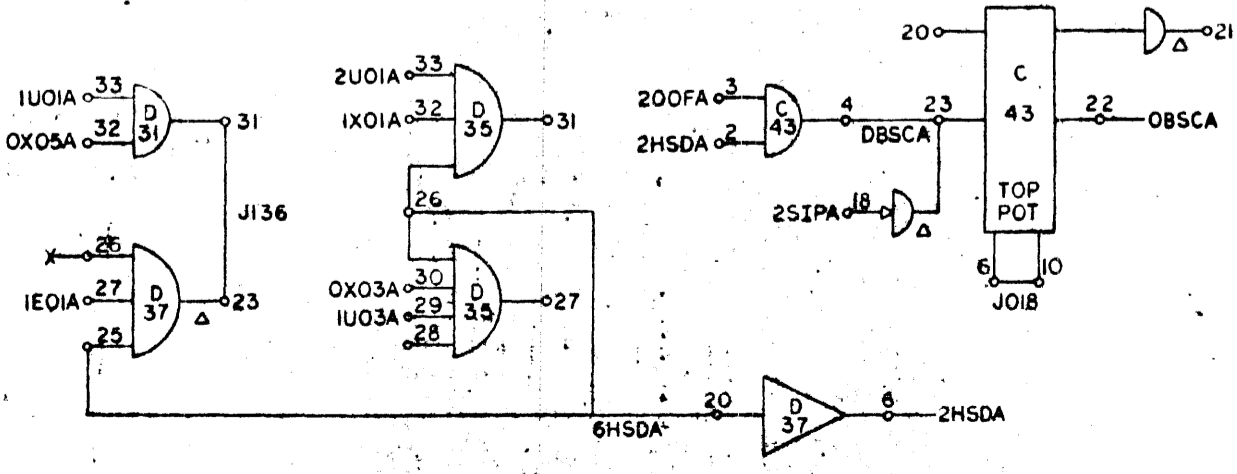
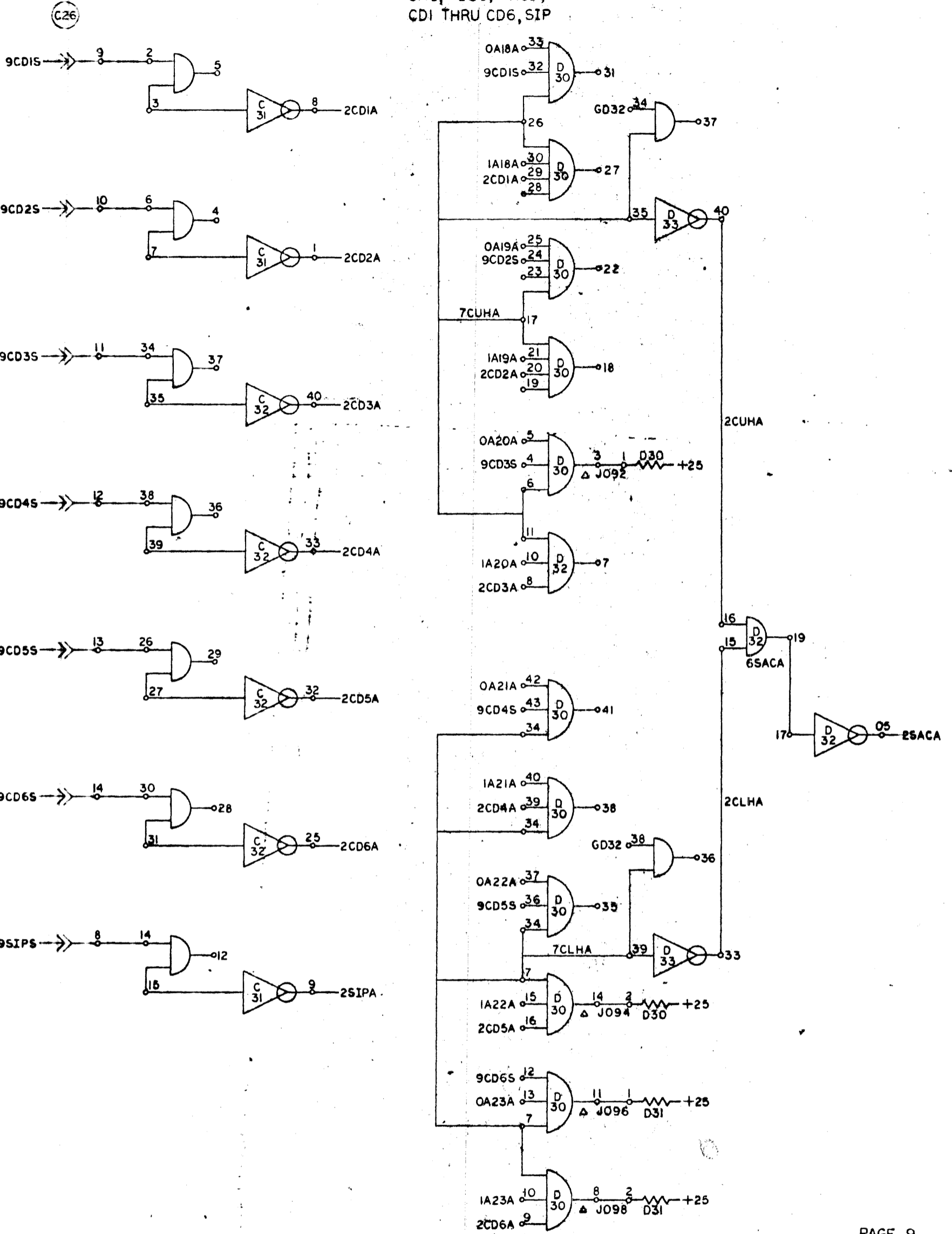
DIAGRAM LOGIC
CONTROLLER

131820

A

REV	DESCRIPTION	DATE	BY
A	MFG RELEASE		

SAC, BSC, HSD,
CDI THRU CD6, SIP

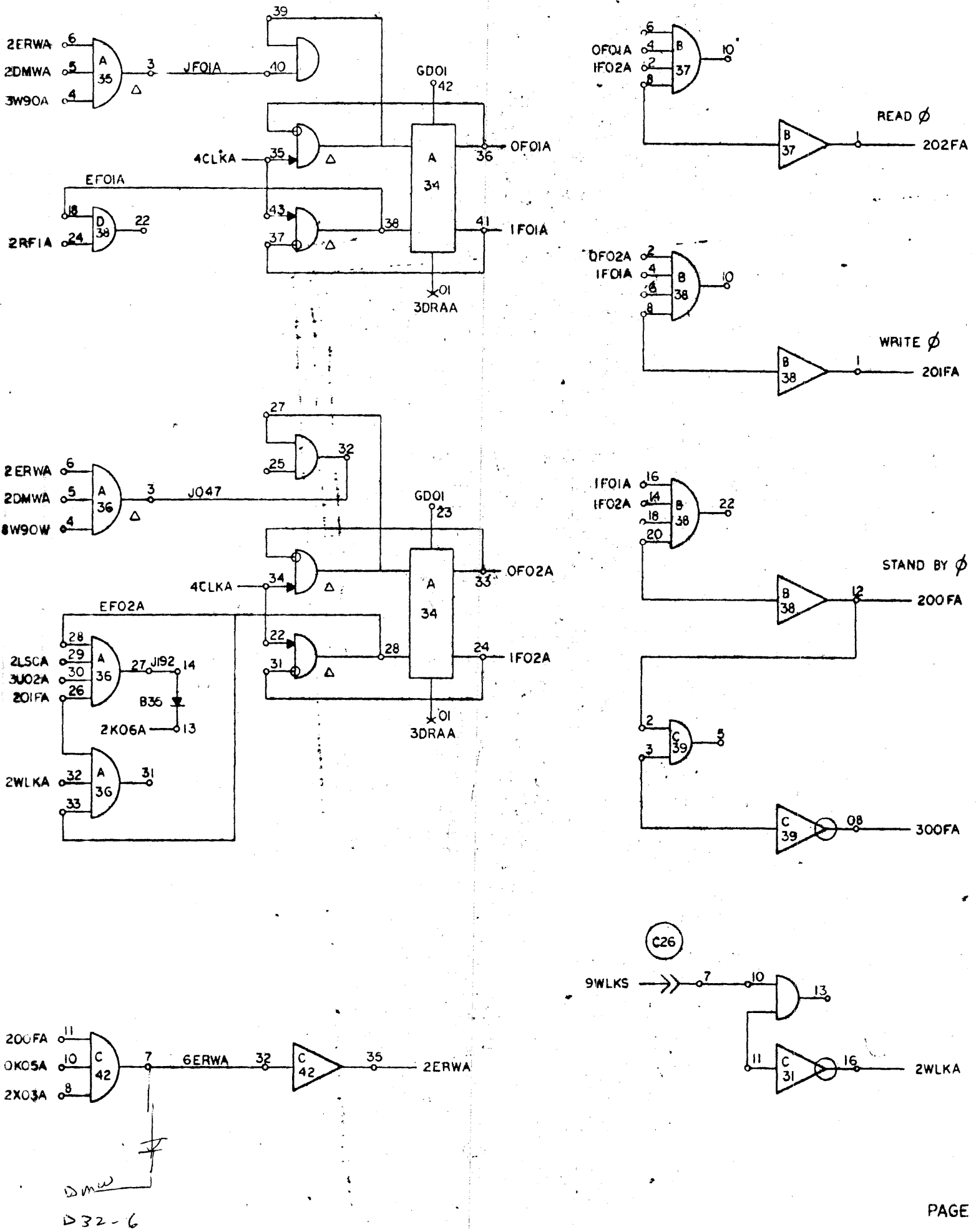


REV. 1	DATE 10-1-62	BY 31820
REV. 2	DATE	BY
REV. 3	DATE	BY
REV. 4	DATE	BY
REV. 5	DATE	BY
REV. 6	DATE	BY
REV. 7	DATE	BY
REV. 8	DATE	BY
REV. 9	DATE	BY
REV. 10	DATE	BY

DIAGRAM, LOGIC,
CONTROLLER

REV.	DESCRIPTION	DATE	BY
A	MFG RELEASE		

PHASE REGISTER
FO1, FO2, OOF, OIF, O2F
ERW, WLK



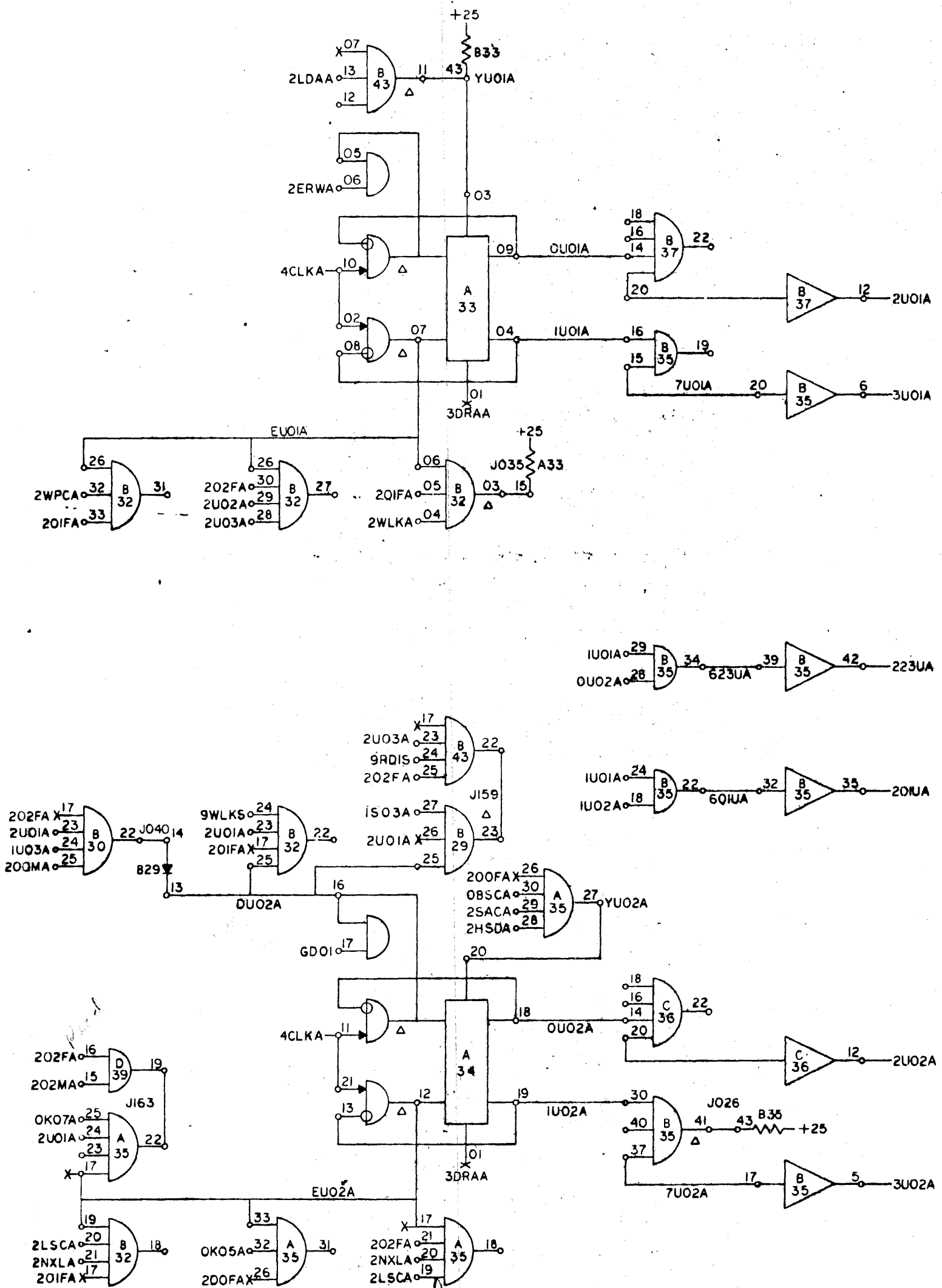
REV	DESCRIPTION	CHK	DATE	APPROVED
A	Mfg RELEASE			

TITLE: DIAGRAM, LOGIC, CONTROLLER
 PART NO.: 131820
 SHEET: 10 OF 35

REV	DESCRIPTION	CHK	DATE	APPROVED
A	Mfg RELEASE			

TITLE: DIAGRAM, LOGIC, CONTROLLER
 PART NO.: 131820
 SHEET: 10 OF 35

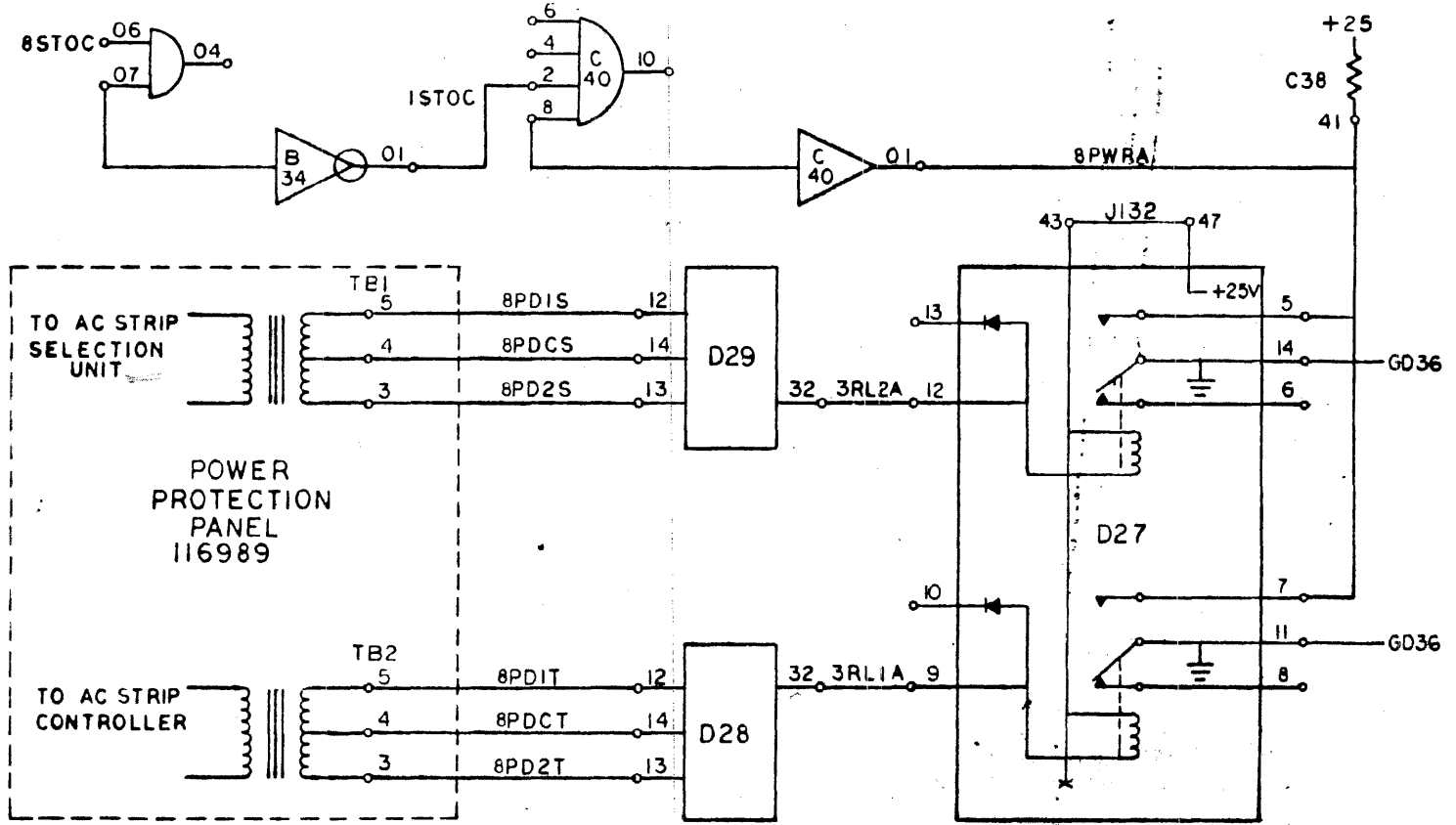
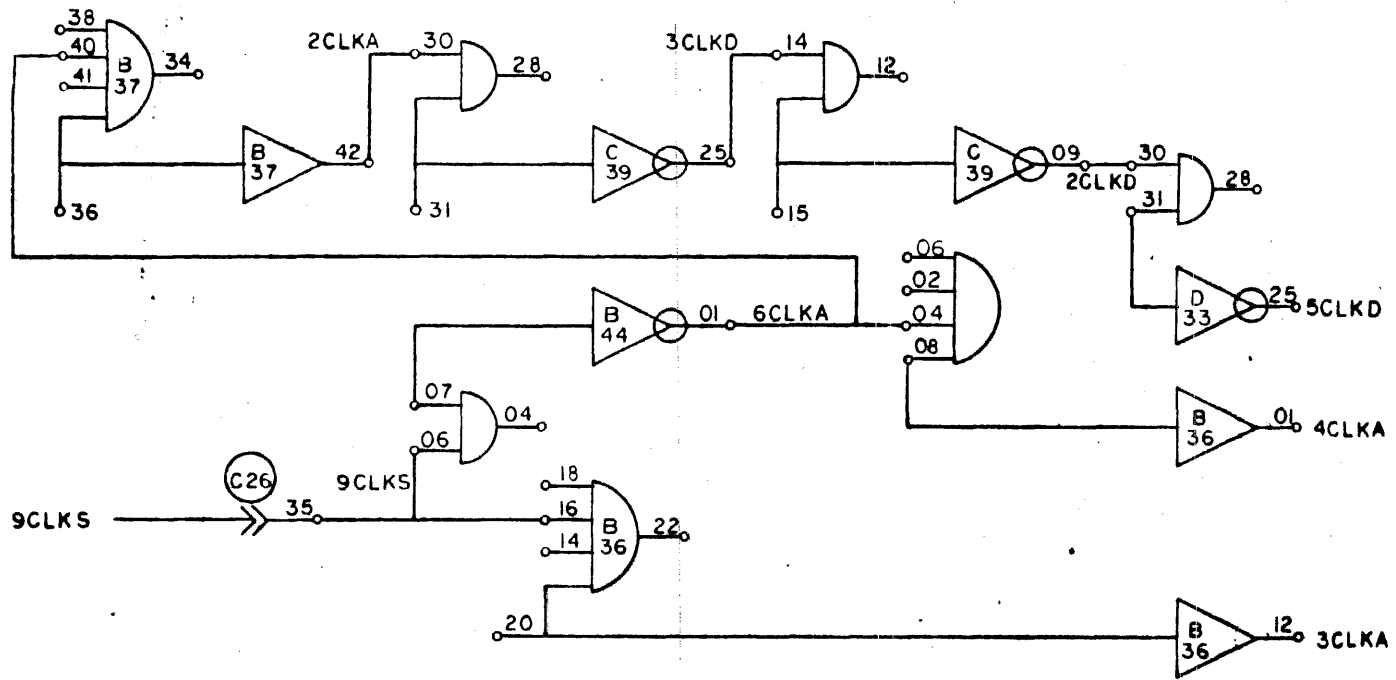
U01, U02, 223U, 201U



SCALE	1:1
DATE	1/31/82
DO NOT SCALE DRAWING	SHEET 11 OF 35
DIAGRAM, LOGIC, CONTROLLER	
REV	A
DESCRIPTION	31820
MFG RELEASE	1/31/82

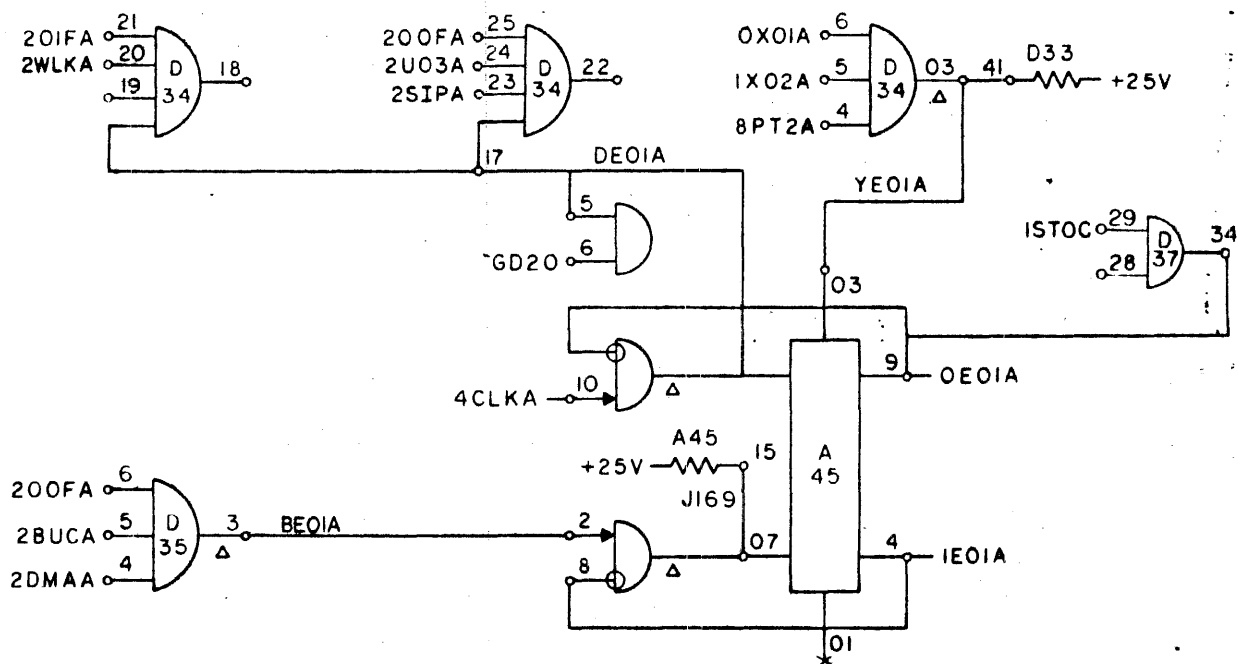
REV	A
DESCRIPTION	31820
MFG RELEASE	1/31/82

CLOCK, POWER FAIL



SCALE: 1" = 3.5" DRAWING NO. 131820 SHEET 1 OF 3	EDS ELECTRONIC DATA SYSTEMS 14000 CALIFORNIA AVENUE, IRVINE, CALIF. 92714	DIAGRAM, LOGIC, CONTROLLER	
		REV. DESCRIPTION A RELEASE	REVISIONS 131820 A

EOI
TEST POINTS



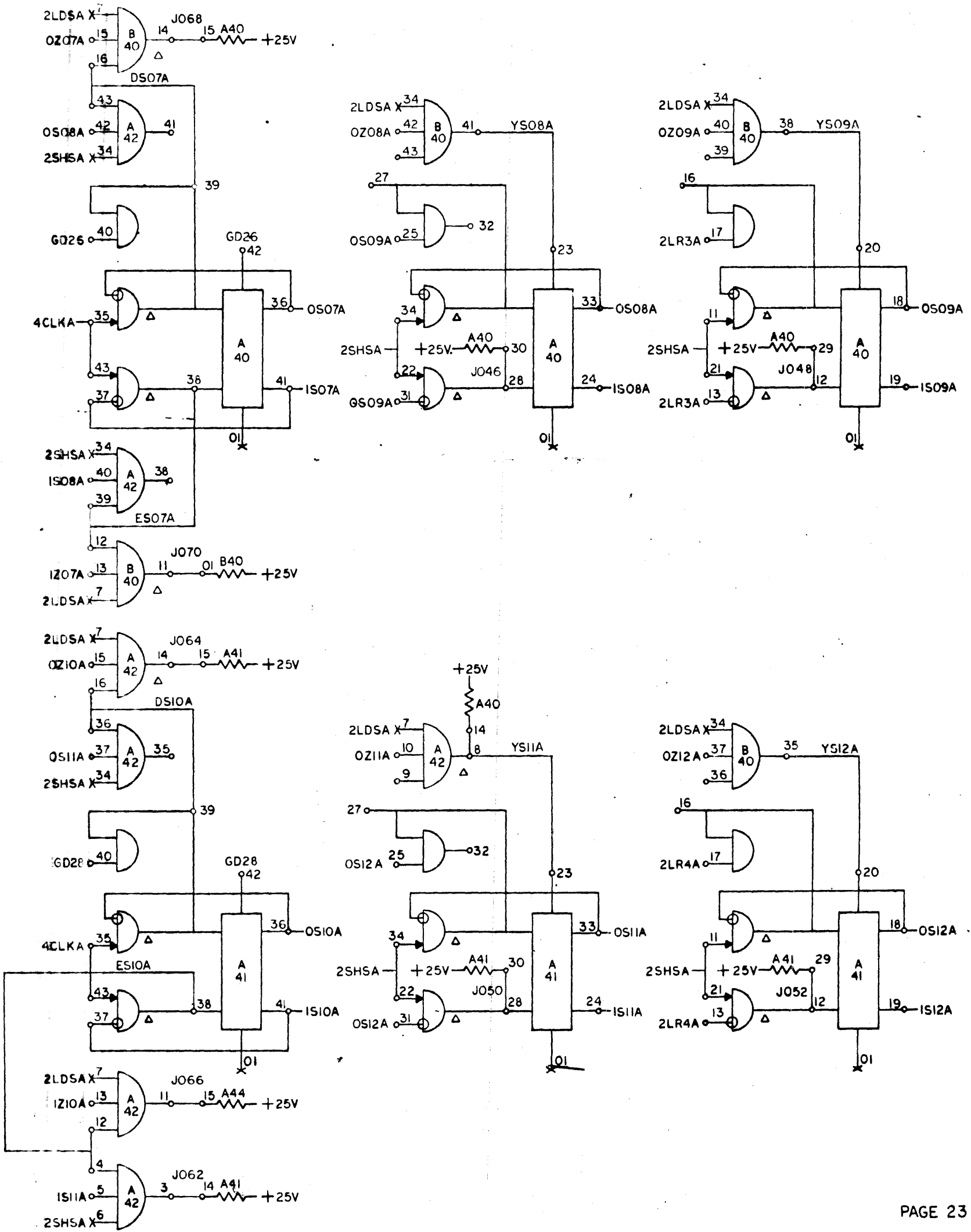
TEST POINTS

D26

- 1 OA09A
- 2 OA10A
- 3 OA11A
- 4 OA12A
- 5 OA13A
- 6 OA14A
- 7 OA15A
- 8 OA16A
- 9 OA17A
- 10 OA18A
- 11 OA19A
- 12 OA20A
- 13 OA21A
- 14 OA22A
- 15 OA23A
- 16 OX03A
- 17 OF01A
- 18 OF02A
- 19 OV01A
- 20 OV02A
- 21 OV03A
- 22 OV04A
- 23 OV05A
- 24 OV06A
- 25 OV07A
- 26 OV08A
- 27 OV09A
- 28 OV10A
- 29 OV11A
- 30 OV12A
- 31 OP06A
- 32 OEO1A

REV		DESCRIPTION		REV	DATE	APPROVED
A	MFG RELEASE			3	320	
<p style="text-align: center;">SDS SERIAL DATA SYSTEMS SUNNYVALE, CALIF.</p> <p style="text-align: center;">DIAGRAM, LOGIC, CONTROLLER</p>						
DATE	SIZE	QTY	REV	REV	DATE	APPROVED
8-17-66	D	3	820	A		
<p>FORM 3-66 (REV. 11-65) (GPO) 2105-52</p>						

SHIFT REGISTER
S07 → S12



REV	DESCRIPTION	REVISIONS	
		DATE	BY
A	MFG RELEASE	131820	A
<p>DIAGRAM, LOGIC, CONTROLLER</p> <p>131820</p> <p>3 OF 35</p>			

PARITY REGISTER
PO1 THRU PO4
SPR

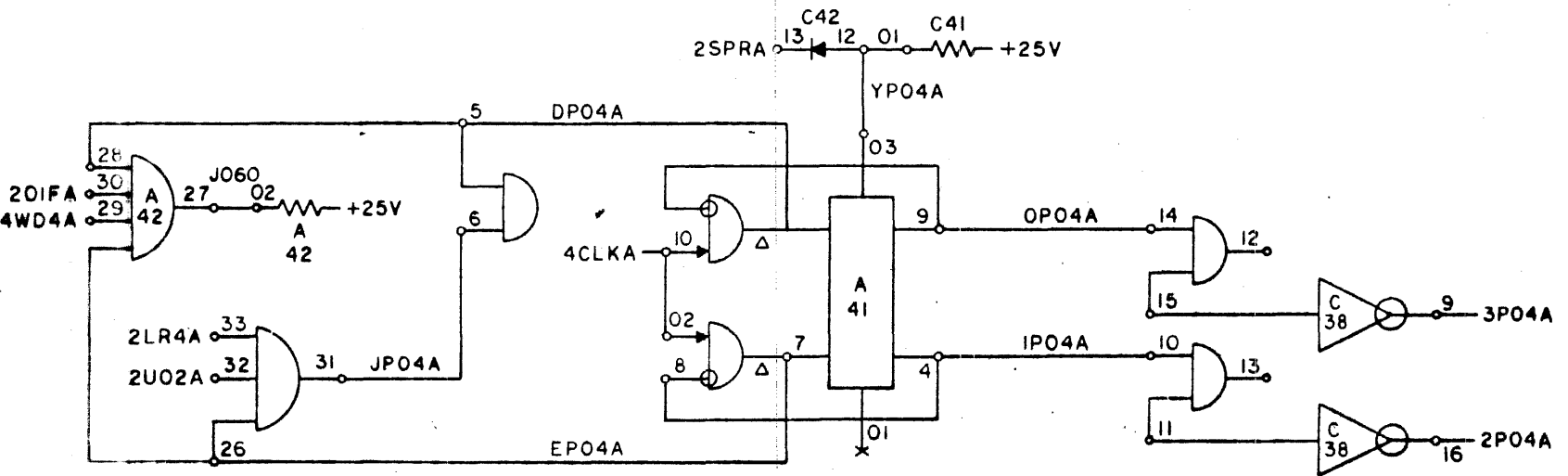
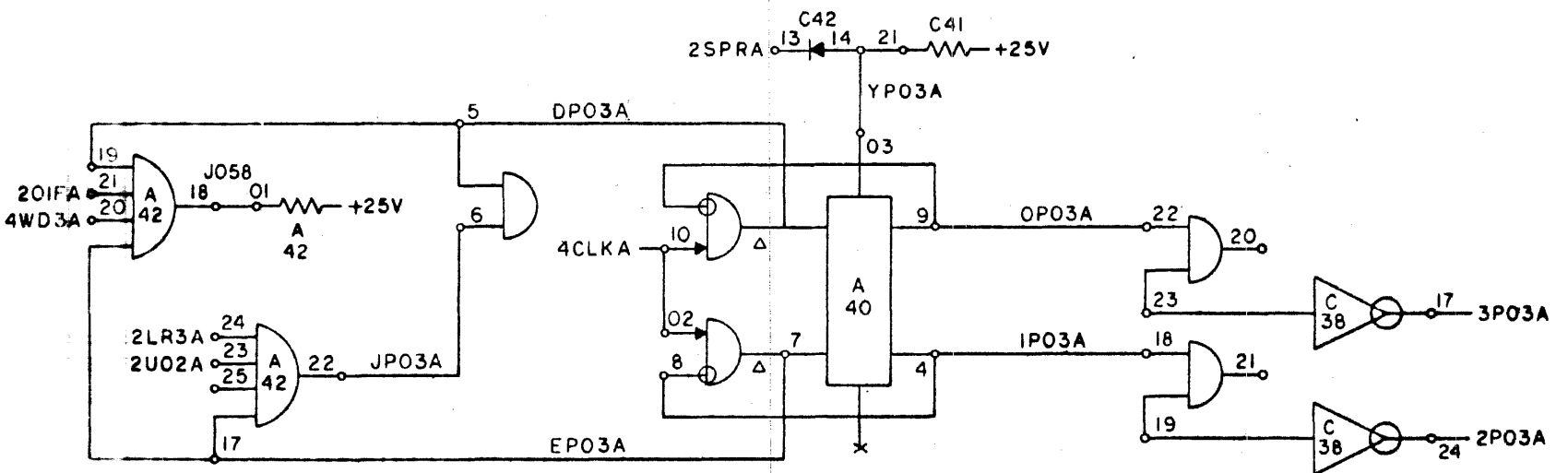
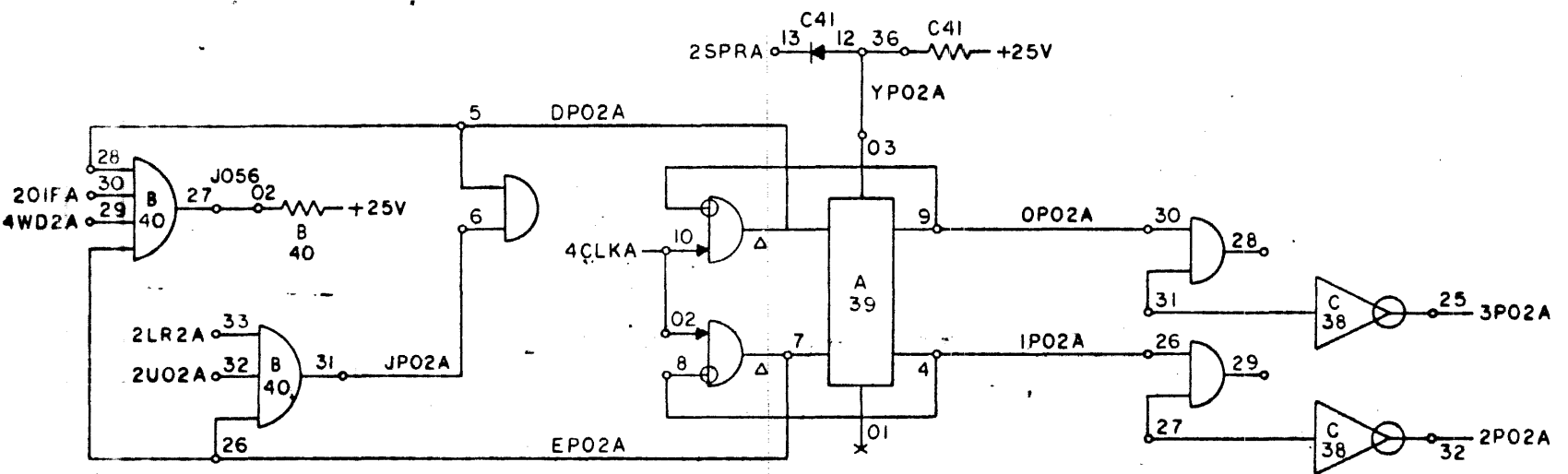
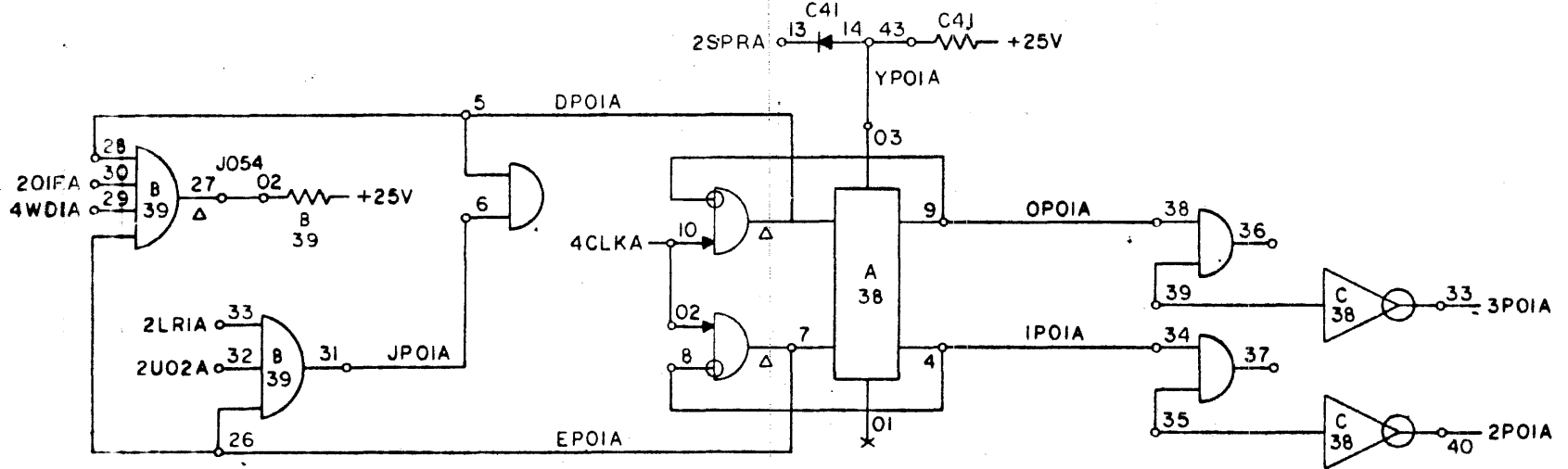
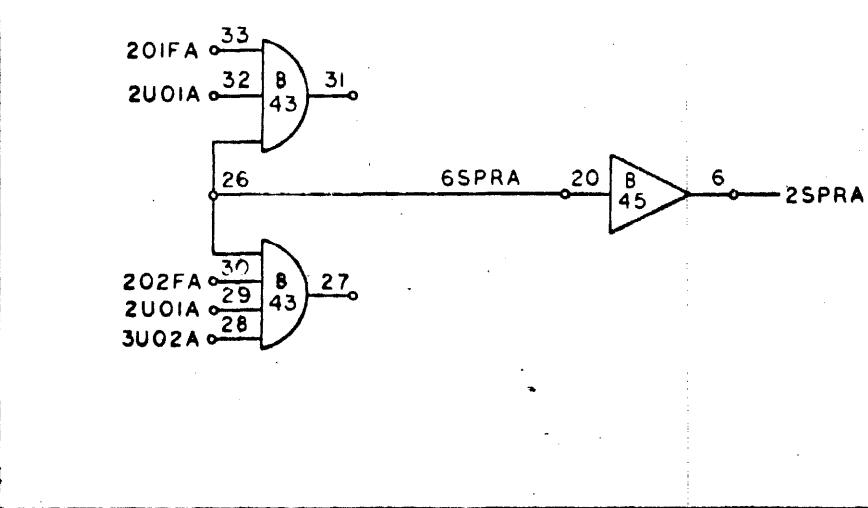
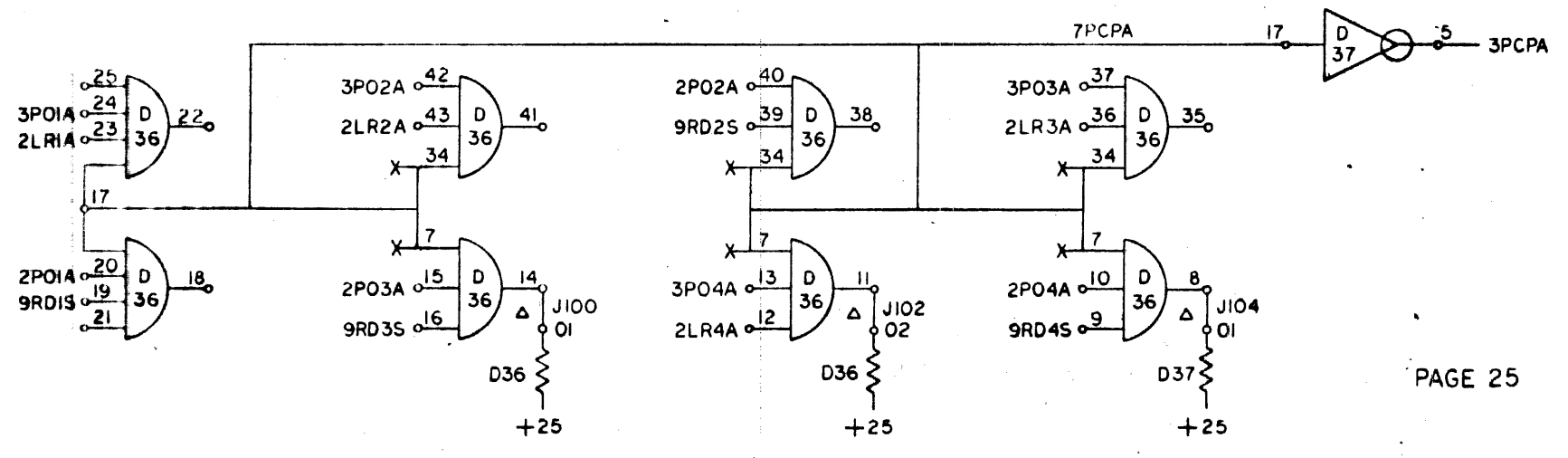
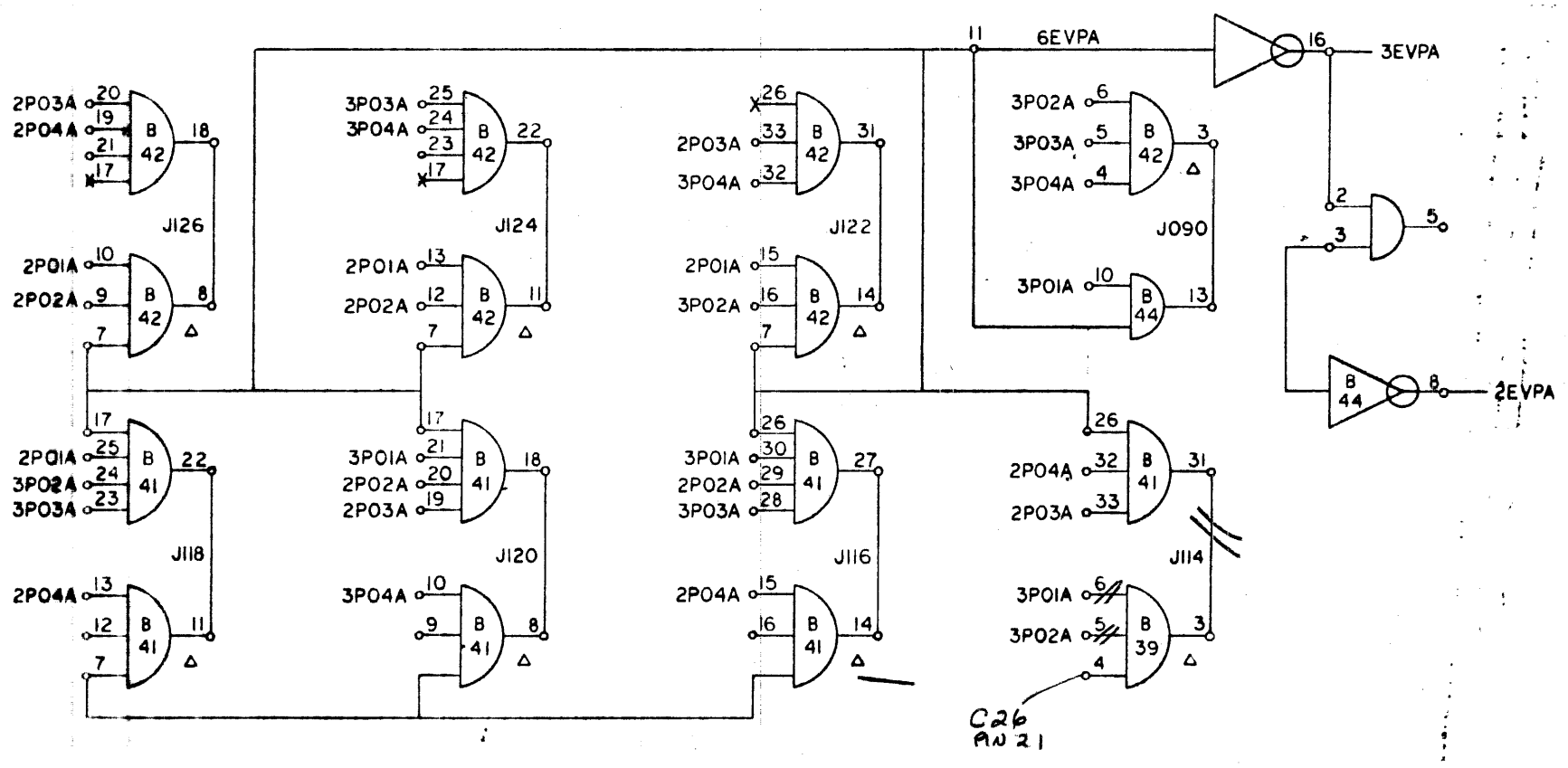
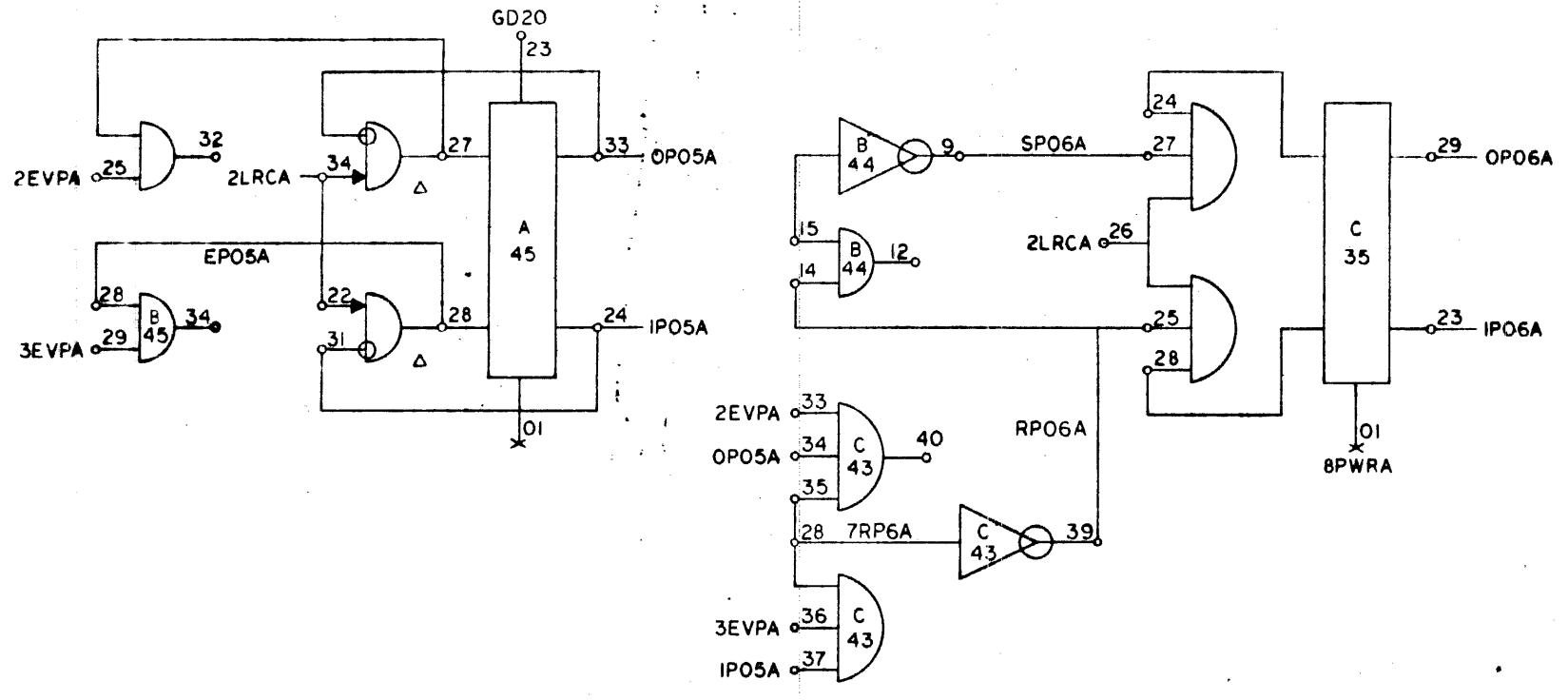


DIAGRAM LOGIC
CONTROLLER



REV	DESCRIPTION	DATE	APPROVED
A	MFG RELEASE		

PARITY
 P05, P06
 EVP, PCP



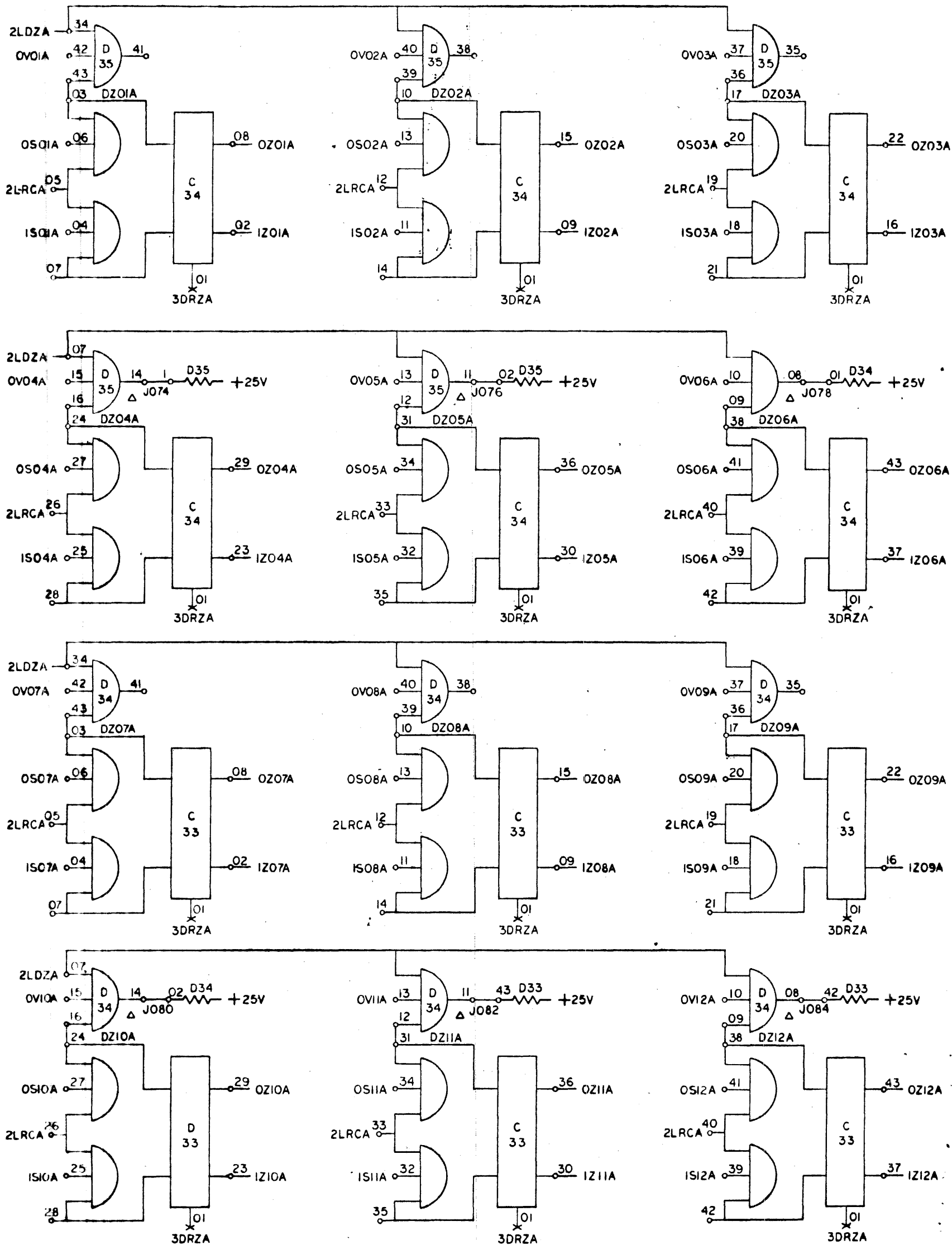
SCALE: 1:1
 DO NOT SCALE DRAWING
 SHEET 26 OF 35

DIAGRAM, LOGIC,
 CONTROLLER

131920

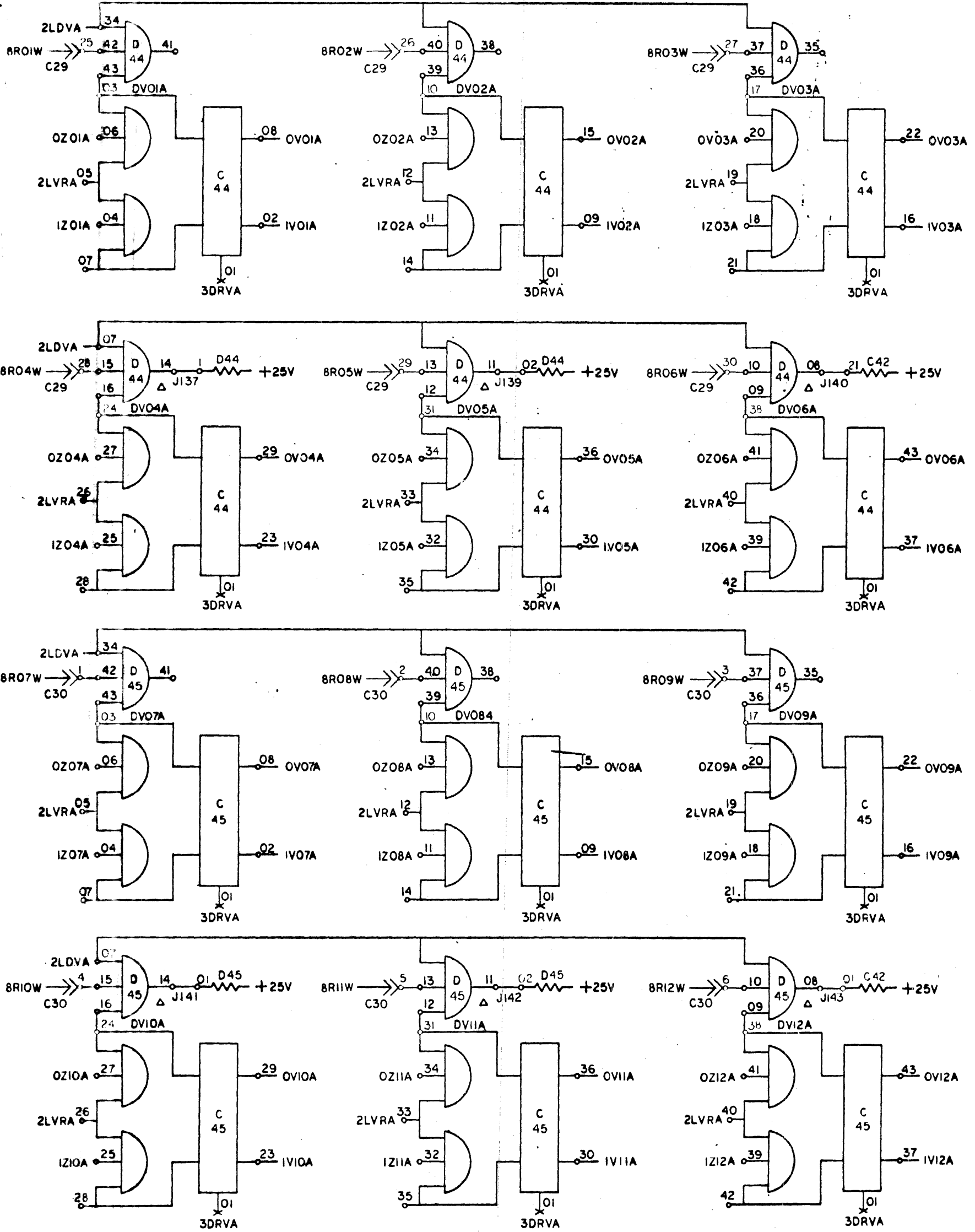
REVISIONS	
REV	DESCRIPTION
A	W/S RELEASE

Z REGISTER



TITLE DIAGRAM, LOGIC, CONTROLLER	PART NO. 31820	SHEET 26 OF 35	REVISIONS	
			REV. DESCRIPTION A MFG RELEASE	DATE APPROVED 3-20-61

V REGISTER



REV	DESCRIPTION	DATE	APPROVED
A	MFG. RELEASE		

131820 A

DIAGRAM LOGIC CONTROLLER

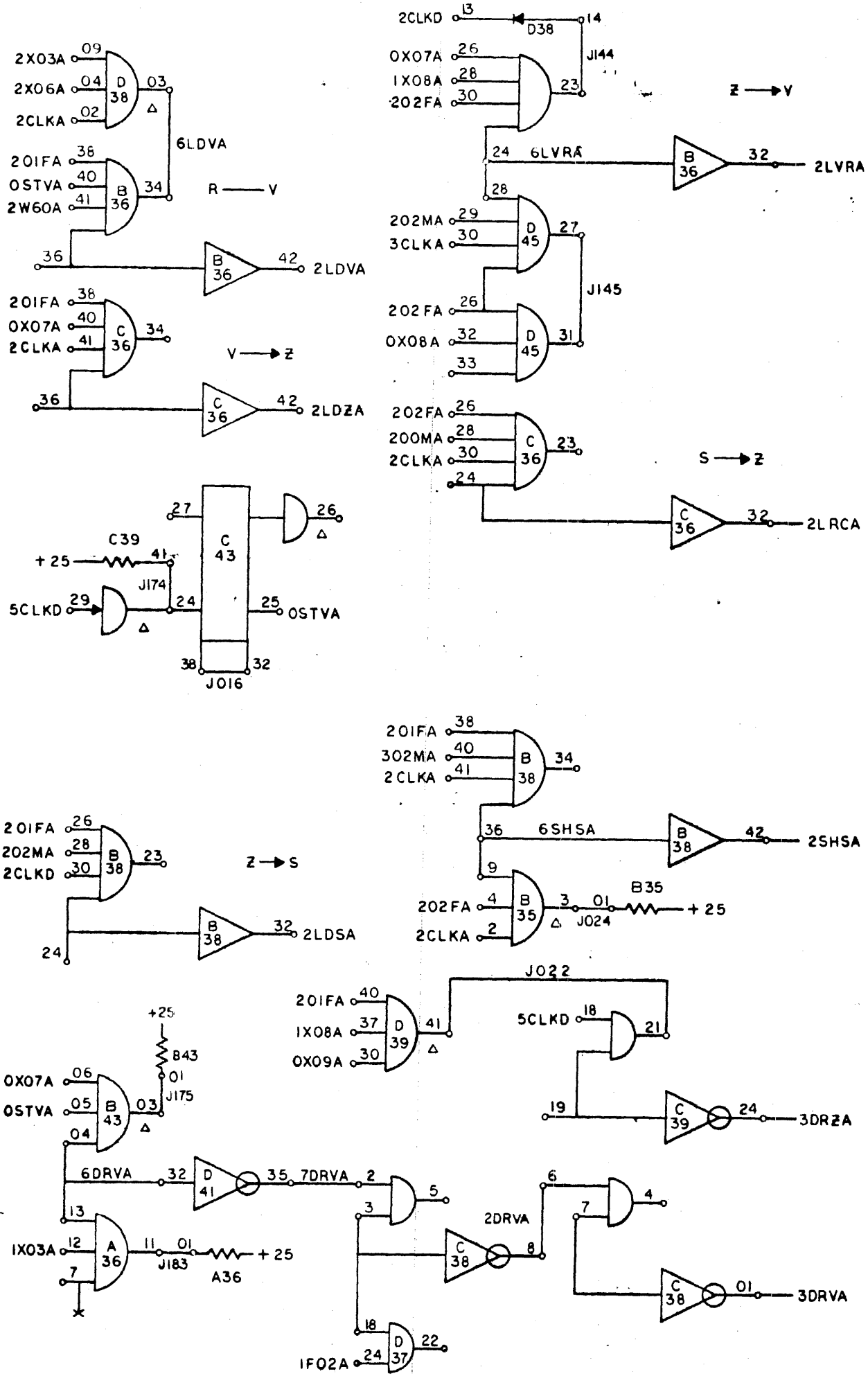
131820

27 OF

REV	DESCRIPTION	DATE	APPROVED
A	MFG. RELEASE		

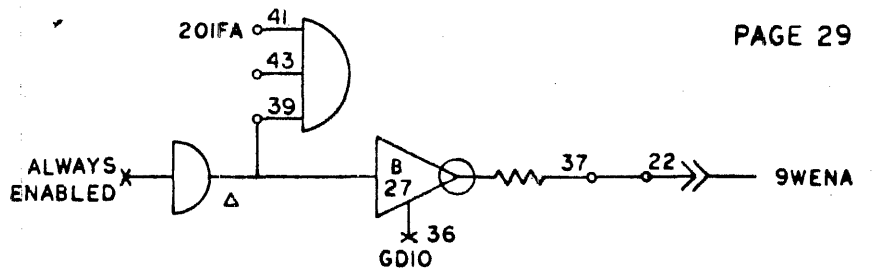
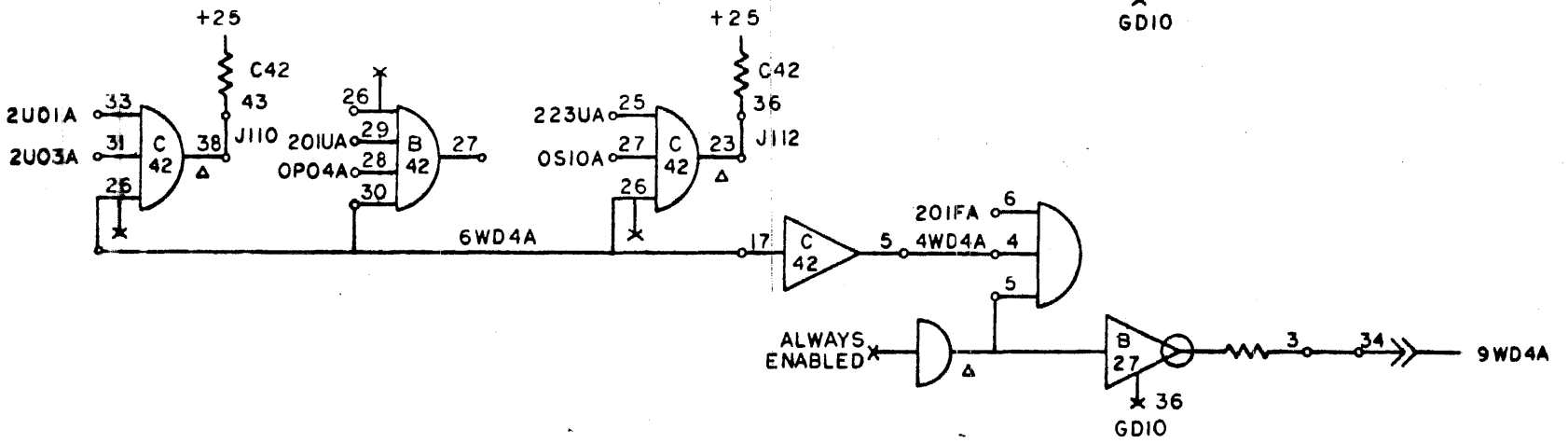
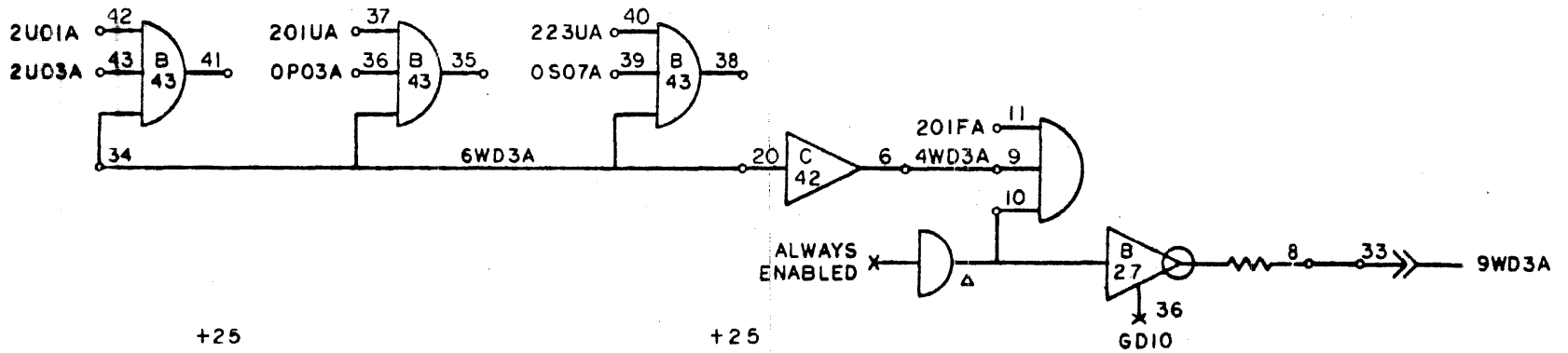
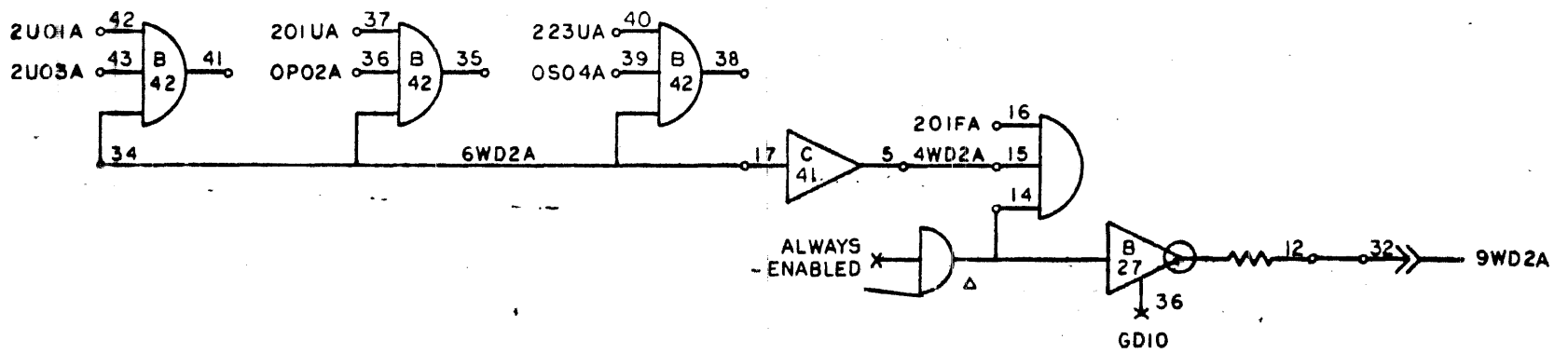
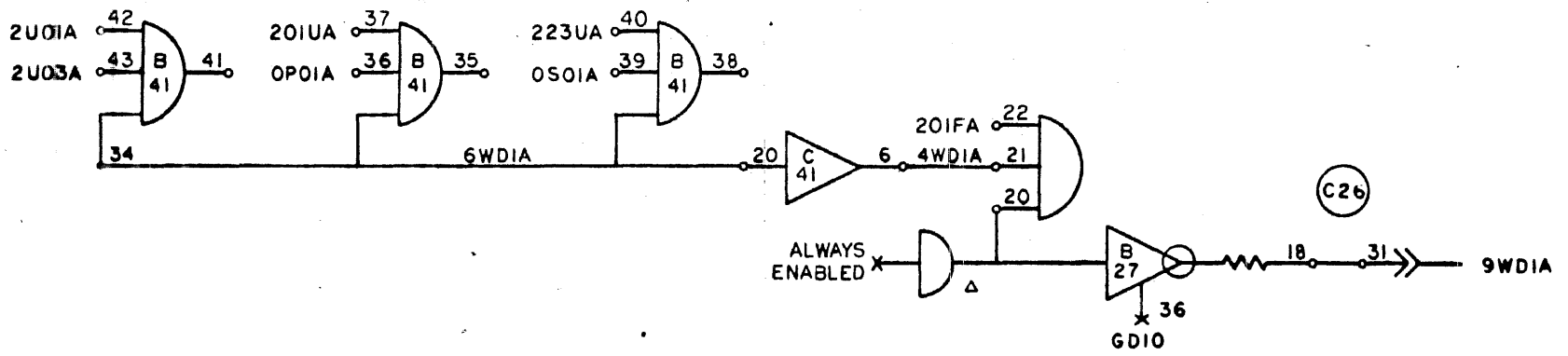
131820 A

V, Z, S REGISTER LOAD AND SHIFT SIGNALS
LDV, LDZ, LDS, LVR, LRC, SHS, DRV, DRZ, STV



REV	DESCRIPTION	REVISIONS	
		DATE	BY
A	MFG RELEASE	3/20/61	1
<p>DIAGRAM, LOGIC, CONTROLLER</p> <p>131820</p>			

CONTROLLER / SELECTION UNIT
WRITE DATA, WDI → 4, WEN.



PAGE 29

SDS SCIENTIFIC DATA SYSTEMS
SANTA MONICA, CALIFORNIA

DIAGRAM, LOGIC,
CONTROLLER

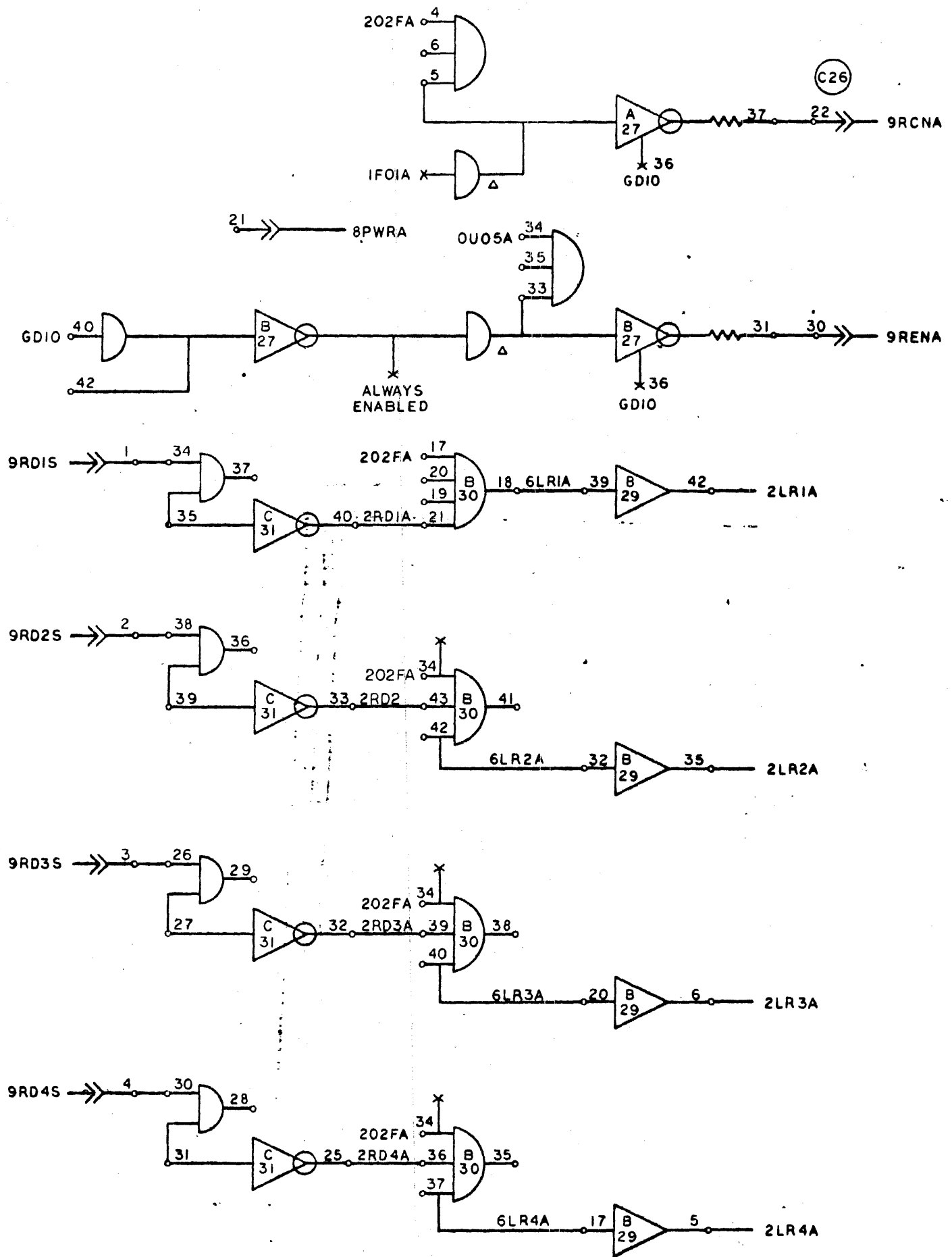
131820

100A
44825

REV	DESCRIPTION	DATE	APPROVED
A	MFG RELEASE		

DO NOT SCALE DRAWING SHEET 29 OF 35

CONTROLLER / SELECTION UNIT
 READ - DATA, CLOCKS, ENABLES
 RDI → 4, LRI → 4: RCN, REN



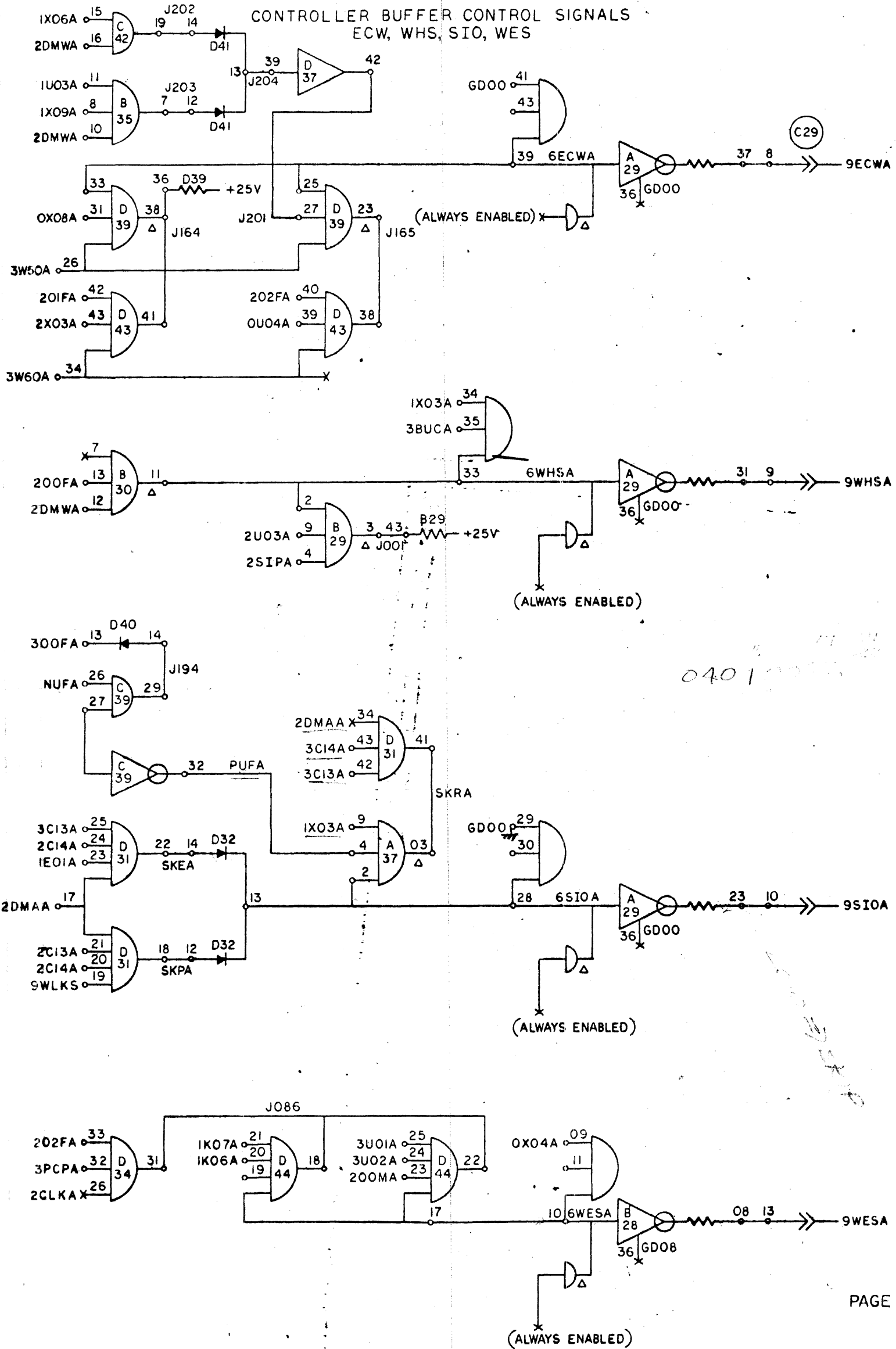
SDS
 SCIENTIFIC DATA SYSTEMS
 SANTA MONICA, CALIFORNIA

DIAGRAM, LOGIC,
 CONTROLLER

131820

A

REVISIONS	
REV	DESCRIPTION
A	MFG RELEASE



11026
1114

SCALE: 1:1

DATE: 8-17-66

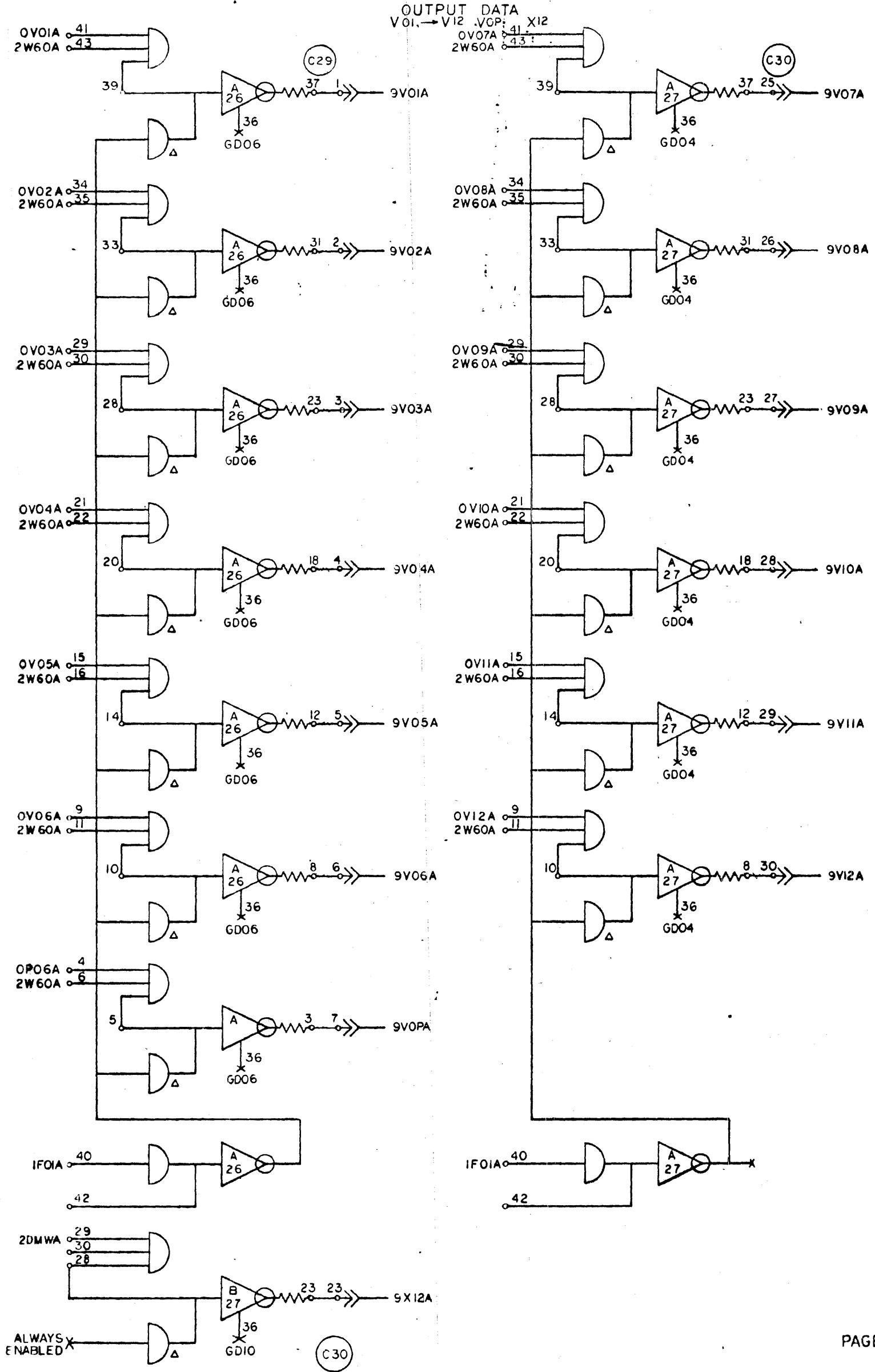
DESIGN: D

PROJECT: 131820

SHEET: 3 OF 35

DIAGRAM, LOGIC, CONTROLLER

REVISIONS	
A	MFG RELEASE
3	20
4	1



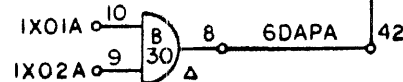
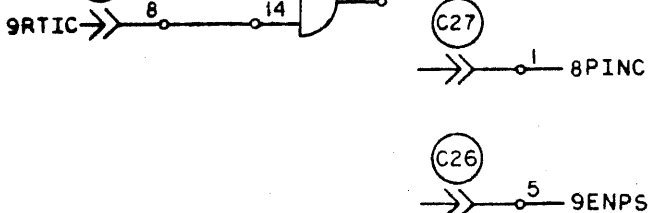
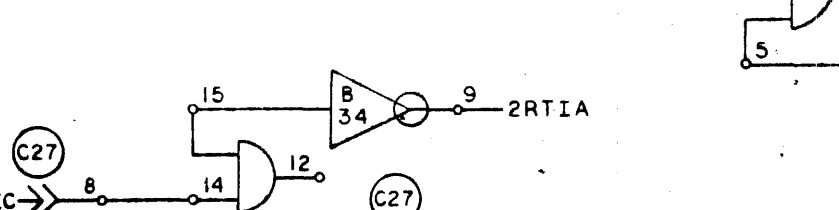
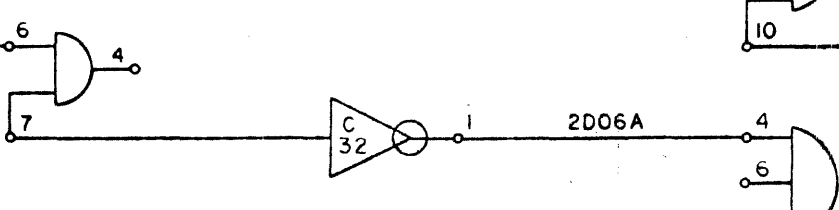
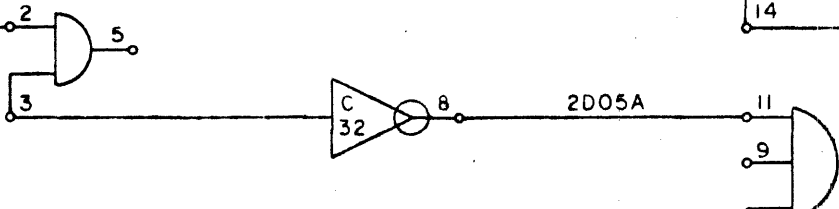
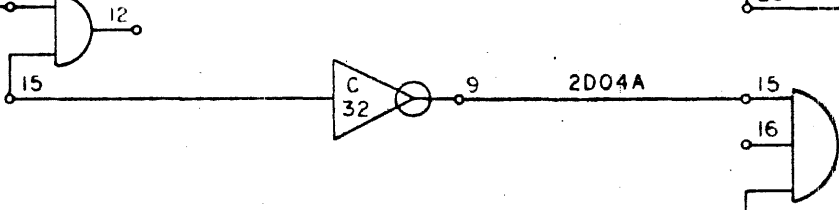
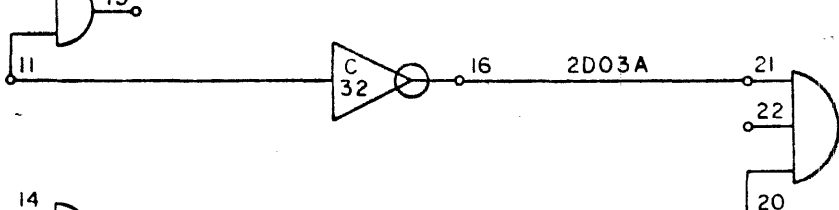
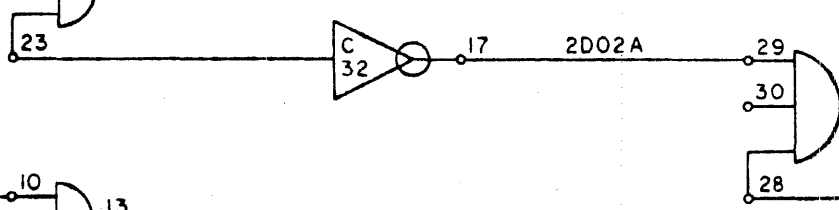
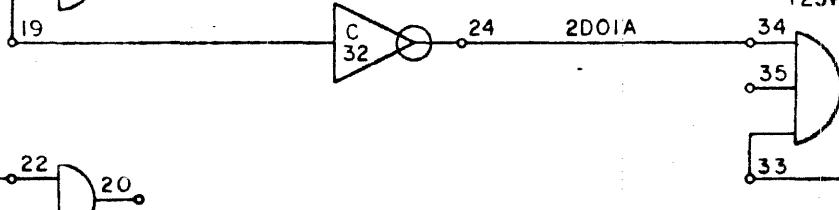
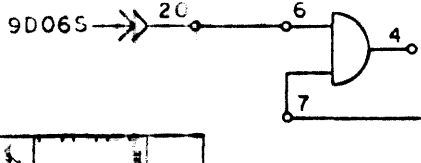
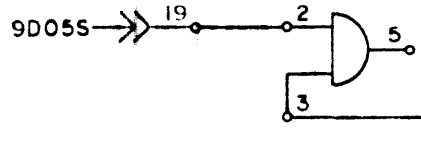
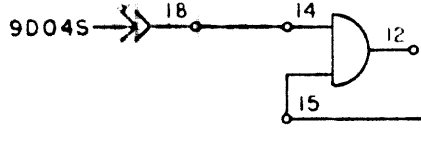
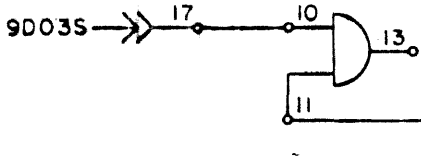
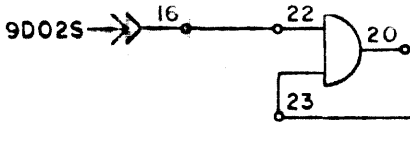
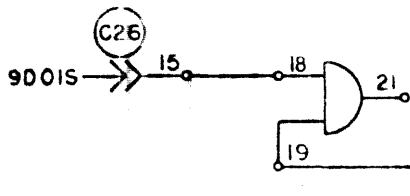
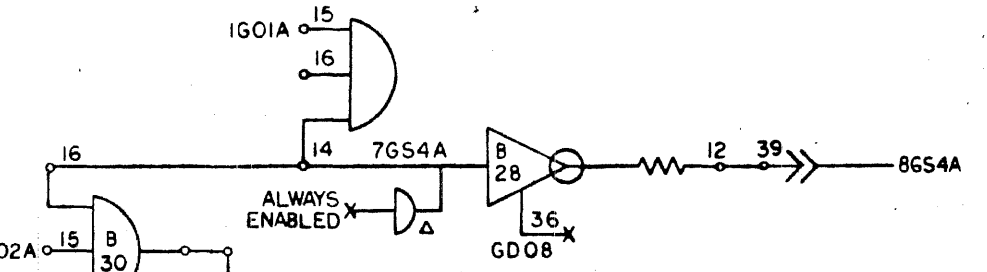
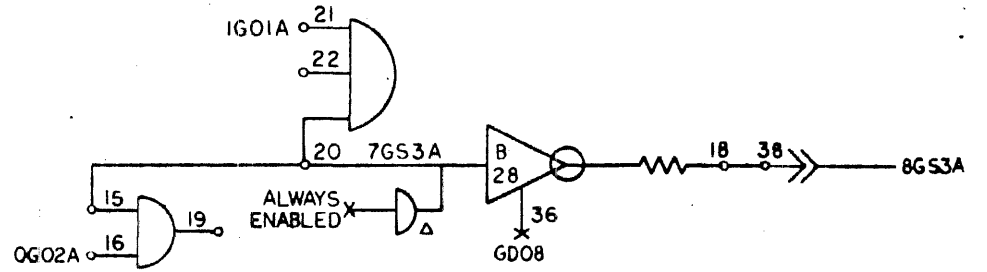
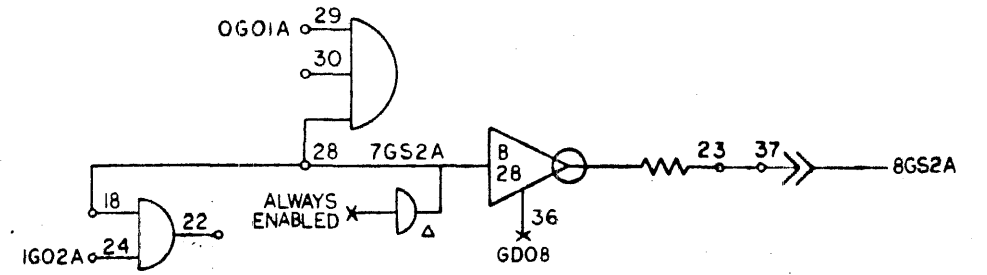
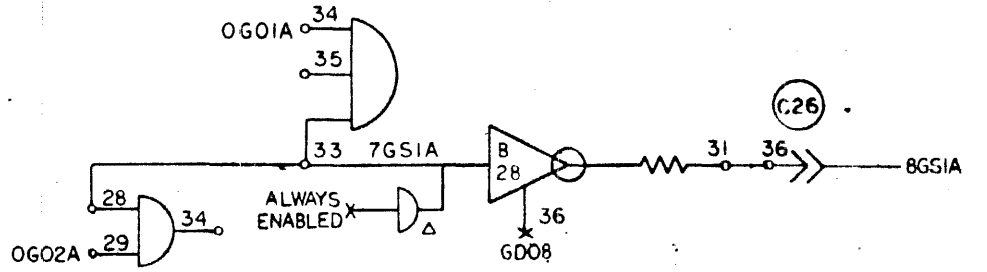
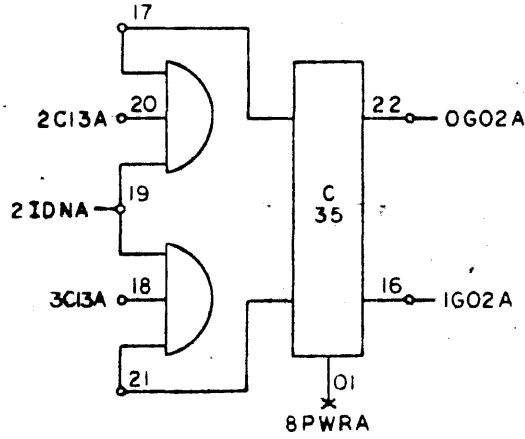
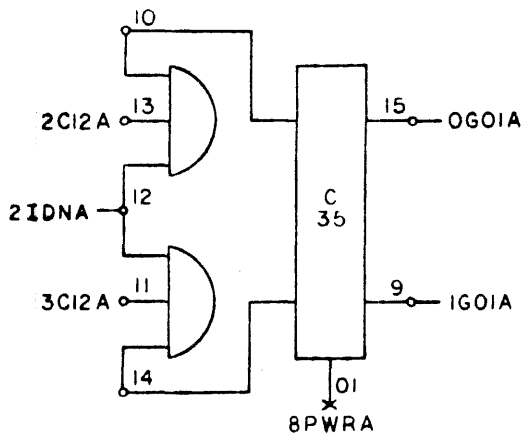
DIAGRAM, LOGIC,
CONTROLLER

131820

REV	DESCRIPTION	DATE	BY	CHK	APP
1	ISS RELEASE				

319201

PIN



PAGE 34

DATE	9-18-66
DESIGNER	D
PROJECT NO.	131820
REV.	A

DIAGRAM, LOGIC, CONTROLLER

REV.	A	DESCRIPTION	VFG RELEASE
CHK.		DATE	
APPROVED			