

The information herein is the property of PLESSEY PERIPHERAL SYS. Transmittal receipt or possession of the information does not imply license, or imply any rights to use, sell, or manufacture from this information and no reproduction or publication of it, in whole or in part, shall be made without written authorization from PLESSEY PERIPHERAL SYS.

REVISIONS

LTR	DESCRIPTION	DATE	APPROVED
C	Revised per E.O. 3440	12-5-79	

TABLE OF CONTENTS

Drawing Number	Title	Rev.	No. Sheets
MD 701893	Maintenance Drawing Package Cover Sheet	C	2
DT 701893	Drawing Tree, Magnetic Tape System, PM-TS11	C	1
701893	System Configuration Kit, PM-TS11	C	3
701894	PM-TC11 Magnetic Tape Controller Kit	C	2
701895	Assembly, Backplane, PM-TC11	A	1
PL 701895-100	Parts List, " "	A	1
WL 701895	Wire List, " "	A	6
701690	Board Assembly, PE Control BD. #4, PM-TC11	A	1
PL 701690-100	Parts List, " "	A	2
SD 701690	Schematic Diagram " "	A	9
701700	Board Assembly, Format Control Board #1, PM-TC11	E	1
PL 701700-100	Parts List, " "	A	2
SD 701700	Schematic Diagram, " "	D	9
701710	Board Assembly, Unibus Control BD.#2, PM-TC11	D	1
PL 701710-100	Parts List, " "	B	2
SD 701710	Schematic Diagram, " "	C	12
703290	Board Assembly, Unibus Control BD.#2, (New)	A	1
PL 703290-100	Parts List, " "	A	2
SD 703290	Schematic Diagram, " "	A	12
701720	Board Assembly, NRZI Control BD.#3, PM-TC11	C	1
PL 701720-100	Parts List, " "	A	2
SD 701720	Schematic Diagram, " "	B	12
701802	PM-TS11 Drive Interface Cable/Adapter Kit	A	2
701528	Adapter Assembly, Component Mounting	B	1
PL 701528-100	Parts List, " " 12-5 IPS	A	1
PL 701528-101	Parts List, " " 25 IPS	A	1
PL 701528-102	Parts List, " " 37.5 IPS	A	1
PL 701528-103	Parts List, " " 45 IPS	A	1
PL 701528-104	Parts List, " " 75 IPS	A	1
PL 701528-105	Parts List " " 125 IPS	A	1
701855	Board Assembly, Control Conn. Adapter, PM-TC11	B	1
PL 701855-100	Parts List, " "	A	1
SD 701855	Schematic Diagram, " "	A	2
701865	Board Assembly, Read Conn. Adapter, PM-TC11	B	1
PL 701865-100	Parts List, " "	A	1
SD 701865	Schematic Diagram, " "	A	1

Maintenance Drawing Package

Products Covered by this Drawing Package
PM-TC11/A
PM-TC11/B
PM-TS11/A-45
PM-TS11/B-45
PM-TS11/B-75
PM-TS11/B-125

<small>DO NOT SCALE DRAWING</small> <small>SCREW THREADS PER HANDBOOK H-28</small> <small>COUNTERBORE AND SPOTFACE FILLET RADIUS TO BE .010 MAXIMUM</small> <small>REMOVE ALL BURRS AND BREAK SHARP EDGES EQUIVALENT TO .010R</small> <small>ROUGHNESS OF MACHINED SURFACES 125√ PER USAS B46.1</small> <small>STANDARD HOLE TOLERANCE PER AND 103B7</small> <small>TOLERANCES ON: .XX + .03 .XXX + .010 ANGLES ± 30°</small> <small>INTERPRET DIMENSIONS AND TOLERANCES PER USAS Y14.5</small> <small>DIMENSIONS ARE IN INCHES AND APPLY AFTER HEAT TREAT AND FINISH</small> <small>UNLESS OTHERWISE SPECIFIED</small>	CONTRACT NO.		<h2>Plessey Peripheral Systems</h2>					
	DRAWN	N. Glass		DRAWING TITLE: MAINTENANCE DRAWING PACKAGE PM-TS11 Magnetic Tape Transport Sub-System				
	CHECK	N. Glass						
	DESIGN							
PROJ. ENGR.	Domshy							
OTHER APPROVALS		<table border="1"> <tr> <td>SIZE</td> <td>CODE IDENT NO.</td> <td>DWG NO.</td> </tr> <tr> <td>B</td> <td>52648</td> <td>MD 701893</td> </tr> </table>	SIZE	CODE IDENT NO.	DWG NO.	B	52648	MD 701893
SIZE	CODE IDENT NO.	DWG NO.						
B	52648	MD 701893						
SCALE:		SHEET	1 OF 1 (122)					





TABLE OF CONTENTS			
Drawing Number	Title	Rev.	No. Sheets
701875	Board Assembly, Write Conn. Adapter, PM-TC11	B	1
PL 701875-100	Parts List, " "	A	1
SD 701875	Schematic Diagram, " "	A	1
703015	Board Assembly, Control Conn. Adapter, Rt. Angle	A	1
PL 703015-100	Parts List, " "	A	1
SD 703015	Schematic Diagram, " "	A	2
703145	Board Assembly, Write Conn. Adapter Rt. Angle	A	1
PL 703145-100	Parts List, " "	A	1
PL 703145-101	Parts List, " Straight	A	1
SD 703145	Schematic Diagram, " "	A	1
703155	Board Assembly, Read Conn. Adapter Rt. Angle	A	1
PL 703155-100	Parts List, " "	A	1
SD 703155	Schematic Diagram, " "	A	1
703157	Board Assembly, Read Conn. Adapter Type A	A	1
PL 703157-100	Parts List, " "	A	1
SD 703157	Schematic Diagram, " "	A	1
701891	Cable Assembly, Flat	A	1
701376	Cable Assembly, Backplane, Power	A	1
701377	Cable Assembly, Backplane, Power	A	1
701378	Cable Assembly, Backplane, Power	A	1
701383	Cable Assembly, Backplane, Power	A	1

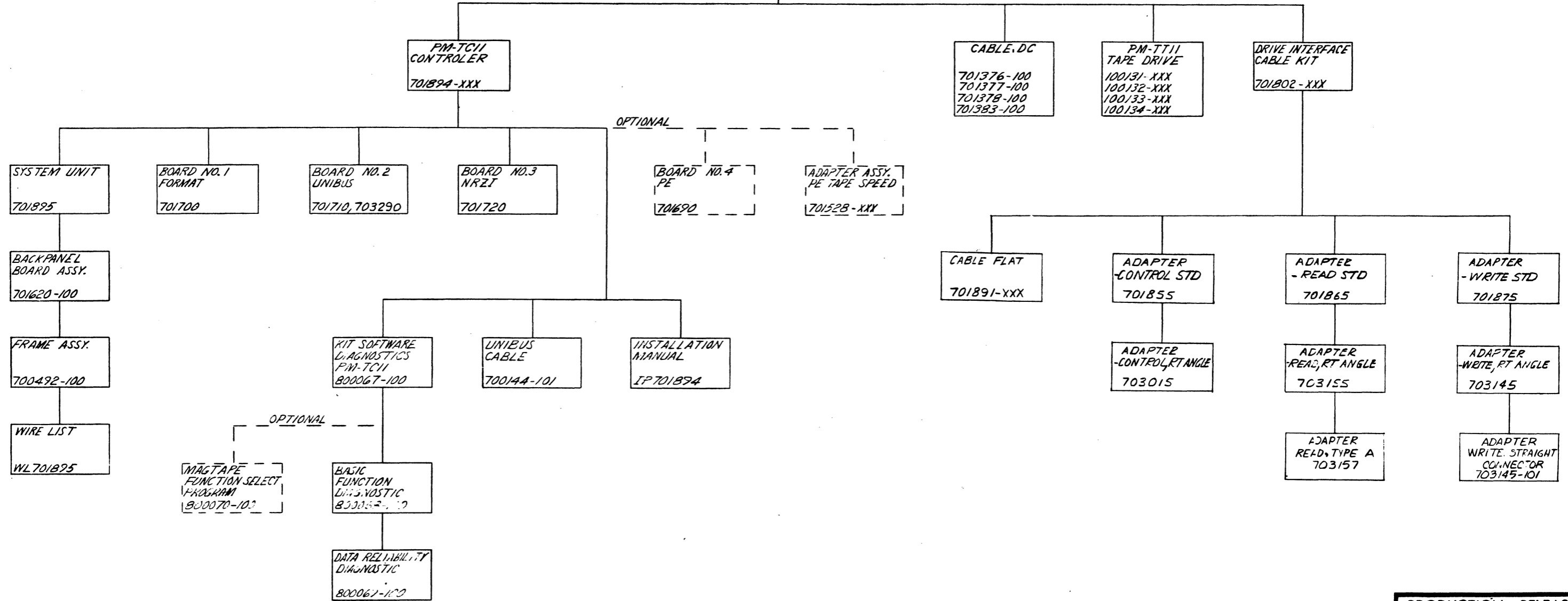
The information hereon is the property of PLESSEY PERIPHERAL SYS. Transmittal receipt or possession of the information does not comply, license, or imply any rights to use, sell, or manufacture from this information and no reproduction or publication of it, in whole or in part, shall be made without written authorization from PLESSEY PERIPHERAL SYS.	SIZE	CODE IDENT NO.	DWG NO.
	B	52648	MD 701893
SCALE	REV	SHEET	
	C	2 of 2	



The information hereon is the property of PLESSEY PERIPHERAL SYS. Transmittal receipt or possession of the information does not imply license, or imply any rights to use, sell, or manufacture from this information and no reproduction or publication of it, in whole or in part, shall be made without written authorization from PLESSEY PERIPHERAL SYS.

REVISIONS				
ZONE	LTR	DESCRIPTION	DATE	APPROVED
/	A	REL TO PROD EO 5463	1-30-79	[Signature]
/	B	INCORP EO 3128	6-21-79	[Signature]
/	C	INCORP EO 3400	12-7-79	[Signature]

PM-TS11
TAPE SYSTEM
701893



PRODUCTION RELEASE

REV	DATE	DESCRIPTION	BY	CHKD	APP'D
5					
4					
3					
2					
1					

NOTE	PART OR IDENTIFYING NO.	NOMENCLATURE OR DESCRIPTION / MATERIAL	SPEC/SOURCE	CODE IDENT NO.	FIND NO.

PART/ASSY NO. & QTY PER ASSY	PART/ASSY REV LTR	APPLICATION	DO NOT SCALE DRAWING	CONTRACT NO.	OTHER APPROVALS
			SCREW THREADS PER HANDBOOK H-38 COUNTERBORE AND SPOTFACE FILLET RADII TO BE AS MAXIMUM REMOVE ALL BURRS AND BREAK SHARP EDGES EQUIVALENT TO .00R ROUGHNESS OF MACHINED SURFACES 125/ PER USAS B46.1 STANDARD HOLE TOLERANCE PER AND 125R TOLERANCES ON: .XX = ± .00 .XXX = ± .002 ANGLES 90° ± .01° INTERPRET DIMENSIONS AND TOLERANCES PER USAS Y14.5 DIMENSIONS ARE IN INCHES AND APPLY AFTER HEAT TREAT AND FINISH UNLESS OTHERWISE SPECIFIED		

PROJECT	DATE	BY	CHKD	APP'D
PM-TS11	1-20-79	[Signature]	[Signature]	[Signature]

DWG TITLE	SIZE	CODE IDENT NO.	DWG NO.
DRAWING TREE MAGNETIC TAPE SYSTEM PM-TS11	D	52648	DT701893

SCALE	SHEET	OF	TOTAL
—	1	1	1


NOTES: UNLESS OTHERWISE SPECIFIED

DT 701893

APPLICATION		REVISIONS			
NEXT ASSY	USED ON	LTR	DESCRIPTION	DATE	APPROVED
		A	RELEASE TO PROD. PER E.O. 5923	7-20-79	<i>[Signature]</i>
		B	Incorporated E.O. 3238	9-28-79	<i>[Signature]</i>
		C	Incorp. E.O. 3400 and 3400-1	12-6-79	

PRODUCTION RELEASE

REV STATUS OF SHEETS	REV LTR					
	SHEET					
	REV LTR	C	C	C	A	C
	SHEET	1	2	3	4	5

<small>DO NOT SCALE DRAWING</small> <small>SCREW THREADS PER HANDBOOK - 18</small> <small>COUNTERBORES AND SURFACE FILLET RADIUS TO BE 0.10 RADIUS</small> <small>REMOVE ALL BURRS AND BREAK SHARP EDGES EQUIVALENT TO 0.10R</small> <small>ROUGHNESS OF MACHINED SURFACES IN μ PER DRAWING</small> <small>STANDARD HOLD TOLERANCES PER AND 1937</small> <small>TOLERANCES ON \pm 11.43 AND \pm 1.18 DIMENSIONS \pm 0.005</small> <small>INTERPRET DIMENSIONS AND TOLERANCES PER DEAS V14.1</small> <small>DIMENSIONS ARE TO UNLESS AND APPLY AFTER HOLE TREAT AND FINISH</small> <small>UNLESS OTHERWISE SPECIFIED</small>		CONTRACT NO. DRAWN <i>[Signature]</i> 7-19-79 CHECKED <i>[Signature]</i> 7-20-79 DESIGN PROJ. ENGR. <i>[Signature]</i> 7/19/79 <i>[Signature]</i> 7-24-79	 Plessey Peripheral Systems DWG TITLE PM-TS11 Magnetic Tape Drive System - Configuration
SIZE A CODE IDENT NO. 52648 DWG NO. 701893 SCALE: _____ SHEET 1 OF 6			

CONFIGURATION KIT
PM-TS11 MAGNETIC TAPE SYSTEM

1.0 SCOPE

This document shall define by part number and application, the component parts necessary to assemble a PM-TS11 magnetic tape subsystem.

It shall be the responsibility of the originator of the sales or work order to specify the proper individual component part numbers when ordering a specific system configuration.

All components listed in this specification or any sub assembly thereof may be ordered individually by appropriate part number.

2.0 PART NUMBERS

Refer to Drawing DT 701893, Drawing Tree magnetic tape system for part number information.

3.0 COMPONENTS

3.1 SINGLE DRIVE SYSTEM

A single drive system requires the following components.

COMPONENT MODEL #	DESCRIPTION	QUANTITY
PM-TC11	Tape Controller	1
-	Cable - DC Power	1
PM-TT11	Tape Drive	1
-	Drive Cables and Adapter Sets	1
-	Mounting Hardware as required	1

The information hereon is the property of PLESSEY PERIPHERAL SYS. Transmittal receipt or possession of the information does not comply, license, or imply any rights to use, sell, or manufacture from this information and no reproduction or publication of it, in whole or in part, shall be made without written authorization from PLESSEY PERIPHERAL SYS.	SIZE A CODE IDENT NO. 52648 DWG NO. 701893 SCALE _____ REV C SHEET 2
---	--

SIZE B	CODE IDENT NO. 52648	DWG NO. 701893
SCALE	REV C	SHEET 1 of 3

Form 000087

3.2 MULTI-DRIVE SYSTEM

A multi-drive system requires the following components:

COMPONENT MODEL #	DESCRIPTION	QUANTITY
PM-TC11	Tape Controller	1
-	Cable-DC Power	1
PM-TT11	Tape Drive	1 to 4
-	Drive Cables and Adapter Sets	One cable and adapter set per tape drive.
-	Mounting Hardware	One per tape drive. as required

4.0 COMPONENT APPLICATION

The following section describes a system components by part number and application

4.1 TAPE CONTROLLER (PM-TC11)

MODEL #	PART #	DESCRIPTION
PM-TC11B	701894-100	Dual Density - 12.5 ips
PM-TC11B	701894-101	Dual Density - 25.0 ips
PM-TC11B	701894-102	Dual Density - 37.5 ips
PM-TC11B	701894-103	Dual Density - 45.0 ips
PM-TC11B	701894-104	Dual Density - 75.0 ips
PM-TC11B	701894-105	Dual Density - 125.0 ips
PM-TC11A	701894-106	NRZI only

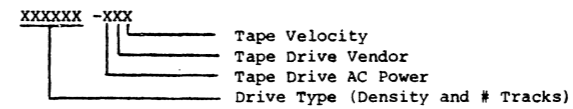
4.2 CABLE - DC POWER

PART #	CPU CONNECTOR	USED ON
701376-100	15 Pin	PDP 11/05 SC/SD PDP 11/45 & 11/50 SN2000 and up PDP 11/35 FL/FM & S PDP 11-40 SN6000 and up Ext. Box H960D-E SN7000 and up PDP 11/70 PDP 11/10 SC PDP 11/04 PDP 11/34 PM 11-50/5

PART #	CPU CONNECTOR	USED ON
701377-100	9 Pin	PDP 11/05 NC/ND PDP 11/10 NC/ND PDP 11/35 JA/JB/JC
701378-100	9 Pin	PDP 11/40 SN to 599 PDP 11/45 and 11/50 SN to 1999 Ext Box H960HD-E to 6999
701383-100	9 Pin	PM-1150/4

4.3 TAPE DRIVE (PM-TT11)

Tape Drives are specified as follows:



4.3.1 Drive Type:

MODEL	PART #	DESCRIPTION
PM-TT11A	100131-XXX	9 Track - NRZI only
PM-TT11B	100132-XXX	9 Track - Dual Density
PM-TT11C	100133-XXX	9 Track - PE only
PM-TT11A	100134-XXX	7 Track - NRZI only

4.3.2 Drive AC Power

PART #	POWER REQUIRED
XXXXXX-1XX	115V - 60Hz
XXXXXX-2XX	220V - 50Hz

4.3.3 Drive Vendor

PART #	VENDOR
XXXXXX-X0X	Kennedy
XXXXXX-X1X	Pertec
XXXXXX-X2X	Cipher

The information hereon is the property of PLESSEY PERIPHERAL SYS. Transmittal receipt or possession of the information does not comply, license, or imply any rights to use, sell, or manufacture from this information and no reproduction or publication of it, in whole or in part, shall be made without written authorization from PLESSEY PERIPHERAL SYS.

SIZE A	CODE IDENT NO. 52648	DWG NO. 701893
SCALE	REV C	SHEET 3

The information hereon is the property of PLESSEY PERIPHERAL SYS. Transmittal receipt or possession of the information does not comply, license, or imply any rights to use, sell, or manufacture from this information and no reproduction or publication of it, in whole or in part, shall be made without written authorization from PLESSEY PERIPHERAL SYS.

SIZE A	CODE IDENT NO. 52648	DWG NO. 701893
SCALE	REV A	SHEET 4

The information hereon is the property of PLESSEY PERIPHERAL SYS. Transmittal receipt or possession of the information does not comply, license, or imply any rights to use, sell, or manufacture from this information and no reproduction or publication of it, in whole or in part, shall be made without written authorization from PLESSEY PERIPHERAL SYS.

SIZE
B
SCALE

CODE IDENT NO.
52648

DWG NO.
701893

REV
C

SHEET
2 of 3

4.3.4 Tape Velocity

PART #	TAPE VELOCITY
XXXXXX-XX0	12.5 ips
XXXXXX-XX1	25.0 ips
XXXXXX-XX2	37.5 ips
XXXXXX-XX3	45.0 ips
XXXXXX-XX4	75.0 ips
XXXXXX-XX5	125.0 ips

4.4 DRIVE INTERFACE CABLE AND ADAPTER KITS

Each tape drive must be equipped with a set of cables and adapters. Drawing 701802 calls out a specific cable and adapter kit for each of the available drives. Each kit contains both cables and adapters. When ordering individual cables or adapters, a specific part number must be called out.

DRIVE PART #	DRIVE INTERFACE CABLE AND ADAPTER KITS WITH:	
	10 Ft. Cables	20 Ft. Cables
XXXXXX-X03	701802-100	701802-101
XXXXXX-X04	701802-102	701802-103
XXXXXX-X05	701802-102	701802-103
XXXXXX-X13	701802-106	701802-107
XXXXXX-X14	701802-106	701802-107
XXXXXX-X15		
XXXXXX-X23	701802-104	701802-105
XXXXXX-X24	701802-104	701802-105
XXXXXX-X25	701802-104	701802-105

4.5 TAPE DRIVE MOUNTING HARDWARE

Cipher (-X2X) Tape drives require mounting hardware kit P/N 701675-100.

Kennedy -X04 and -X05 tape drives require adapter slide P/N 701786-001.

The information hereon is the property of PLESSEY PERIPHERAL SYS. Transmittal receipt or possession of the information does not comply, license, or imply any rights to use, sell, or manufacture from this information and no reproduction or publication of it, in whole or in part, shall be made without written authorization from PLESSEY PERIPHERAL SYS.			
SIZE A	CODE IDENT NO. 52648	DWG NO. 701893	
SCALE	REV C	SHEET 5	

SIZE B	CODE IDENT NO. 52648	DWG NO. 701893
SCALE	REV C	SHEET 3 of 3

The information hereon is the property of PLESSEY PERIPHERAL SYS. Transmittal receipt or possession of the information does not comply, license, or imply any rights to use, sell, or manufacture from this information and no reproduction or publication of it, in whole or in part, shall be made without written authorization from PLESSEY PERIPHERAL SYS.

REVISIONS			
LTR	DESCRIPTION	DATE	APPROVED
A	REL TO PROD EO 2607	10-11-78	[Signature]
B	INCORP EO 2827	1-15-79	[Signature]
C	INCORP EO 3026	4-16-79	[Signature]

APPLICATION	
NEXT ASSY	USED ON
	PM-TC11

PRODUCTION RELEASE

REV LTR	1	2	3	4
REV LTR	C	C	A	B
SHEET	1	2	3	4

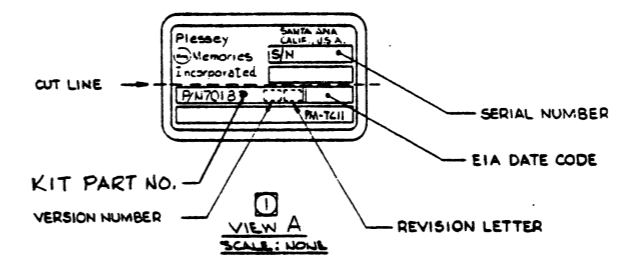
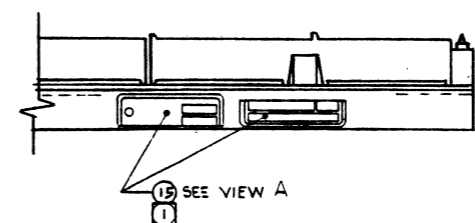
<small>DO NOT SCALE DRAWING</small> SCREW THREADS PER HANDBOOK #18 COUNTERBORES AND SPOTFACE FILLET RADIUS TO BE 815 MAXIMUM REMOVE ALL BURRS AND BREAK SHARP EDGES EQUIVALENT TO 815R ROUNDNESS OF MACHINED SURFACES 12.5 PER USAS D46.1 STANDARD HOLE TOLERANCE PER ANSI 1987 TOLERANCES ON .001" TO .010" ARE ± .001 INTERPRET DIMENSIONS AND TOLERANCES PER USAS Y14.5 DIMENSIONS ARE IN INCHES AND APPLY AFTER HEAT TREAT AND FINISH UNLESS OTHERWISE SPECIFIED		CONTRACT NO. DRAWN <i>L. DOMSHY</i> 6-15-78 CHECK <i>D.W. TURK</i> 6-15-78 DESIGN <i>L. Domshy</i> 6/20/78 PROJ. ENGR <i>L. Domshy</i> 6/20/78 APPROVALS <i>[Signature]</i> 6/22/78	Plessey Peripheral Systems DWG TITLE PM-TC11 MAGNETIC TAPE CONTROLLER KIT	SIZE A CODE IDENT NO. 52648 DWG NO. 701894 SCALE: SHEET 1 OF 4
---	--	--	--	--

PARTS LIST		Plessey Peripheral Systems		PARTS LIST NO.	SH	REV LTR							
				701894	.2	C							
ENTRY CHG THIS REV LTR	NOTE	PART/ASSY NO. & QTY PER ASSY							UNIT MEAS	PART NO. OR IDENTIFYING NO.	NOMENCLATURE OR DESCRIPTION	SPEC OR SOURCE	FINO
		-106	-105	-104	-103	-102	-101	-100					
									1	701894-100	PM-TC11 MAGNETIC TAPE CONTROLLER-DUAL DENSITY-12.5 IPS		
									1	701894-101	PM-TC11 MAGNETIC TAPE CONTROLLER DUAL DENSITY - 25 IPS		
									1	701894-102	PM-TC11 MAGNETIC TAPE CONTROLLER DUAL DENSITY - 37.5 IPS		
									1	701894-103	PM-TC11 MAGNETIC TAPE CONTROLLER DUAL DENSITY - 45 IPS		
									1	701894-104	PM-TC11 MAGNETIC TAPE CONTROLLER DUAL DENSITY - 75 IPS		
									1	701894-105	PM-TC11 MAGNETIC TAPE CONTROLLER DUAL DENSITY - 125 IPS		
									1	701894-106	PM-TC11 MAGNETIC TAPE CONTROLLER NRZI ONLY		
									1	700144-101	ASSY, CABLES; UNIBUS JUMPER		1
									1	701895-100	ASSY, BACKPLANE CONTROLLER		2
									1	701700-100	ASSY, PWB FORMAT CONTROL BOARD #1		3
									1	703290-100	ASSY, PWB UNIBUS CONTROL BOARD #2		4

The information hereon is the property of PLESSEY PERIPHERAL SYS. Transmittal receipt or possession of the information does not imply license, or imply any rights to use, sell, or manufacture from this information, and no reproduction or publication of it, in whole or in part, shall be made without written authorization from PLESSEY PERIPHERAL SYS.

SIZE **B** CODE IDENT NO. 52648 DWG NO. 701894
 SCALE **C** REV SHEET 1 OF 2

PARTS LIST		Plessey Peripheral Systems		PARTS LIST NO. 701894		SH 3		REV LTR A					
ENTRY CHG THIS REV LTR	NOTE	PART/ASSY NO. & QTY PER ASSY							UNIT MEAS	PART NO. OR IDENTIFYING NO.	NOMENCLATURE OR DESCRIPTION	SPEC OR SOURCE	FIN NO D
		-106	-105	-104	-103	-102	-101	-100					
		1	1	1	1	1	1	1		701720-100	ASSY, PWB NRZI CONTROL BOARD #3		5
			1	1	1	1	1	1		701690-100	ASSY, PWB P.E. CONTROL BOARD #4		6
									1	701528-100	ADAPTER ASSY, 12.5 IPS		7
									1	701528-101	ADAPTER ASSY, 25 IPS		8
						1				701528-102	ADAPTER ASSY, 37.5 IPS		9
					1					701528-103	ADAPTER ASSY, 45 IPS		10
				1						701528-104	ADAPTER ASSY, 75 IPS		11
			1							701528-105	ADAPTER ASSY, 125 IPS		12
		1	1	1	1	1	1	1		800067-100	KIT, SOFTWARE; DIAGNOSTICS		13
		1	1	1	1	1	1	1		IP 701894	INSTALLATION MANUAL		14
	1									700077-001	PLATE/IDENTIFICATION		15



1 MARK CHARACTERS USING TYPEWRITER WITH RIBBON, UPPER CASE TYPE ONLY, PER VIEW A. CUT NAMEPLATE AT DOTTED LINE AND INSTALL AS SHOWN.

The information hereon is the property of PLESSEY MEMORIES INCORPORATED. Transmittal, receipt, or possession of the information does not comply, license, or imply any rights to use, sell, or manufacture from this information and no reproduction or publication of it, in whole or part, shall be made without written authorization from PLESSEY MEMORIES, INC.		SIZE A	CODE IDENT NO. 52648	DWG NO. 701894
		SCALE	REV B	SHEET 4

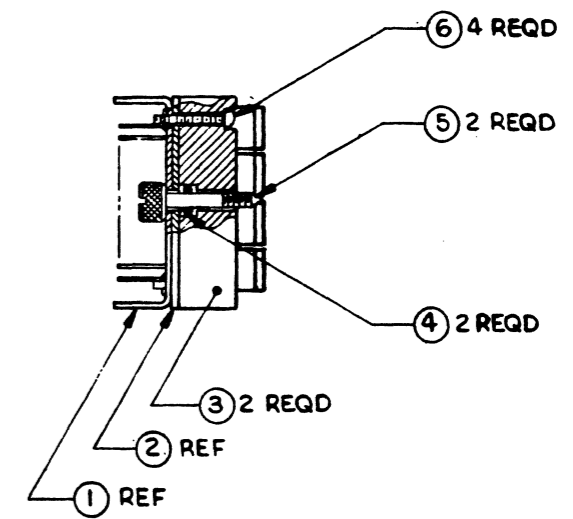
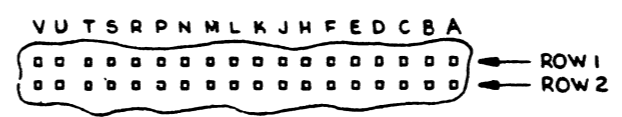
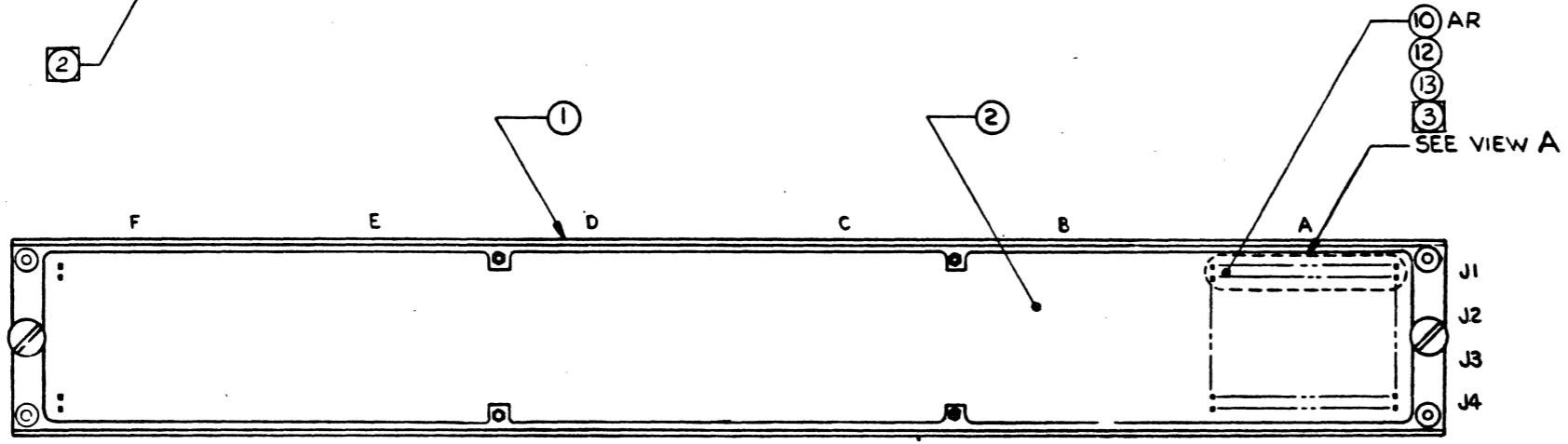
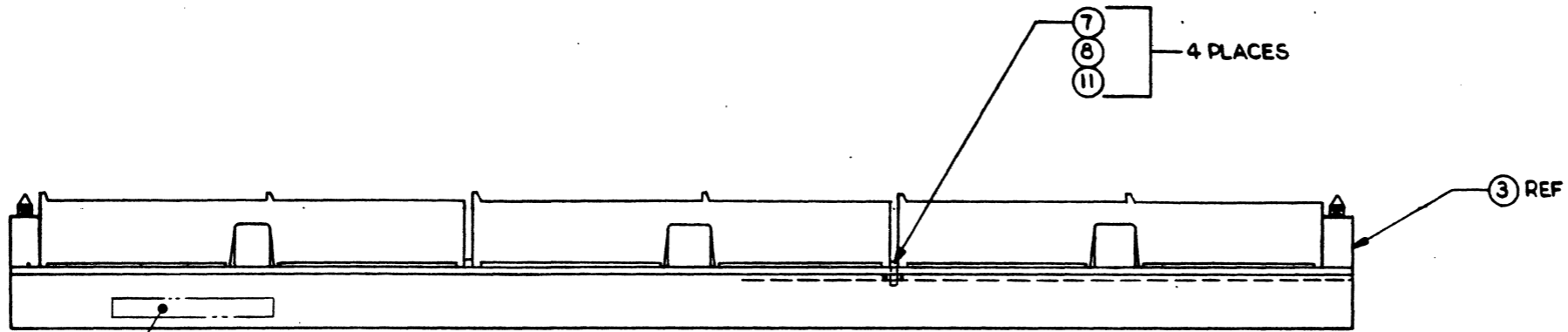
The information hereon is the property of PLESSEY PERIPHERAL SYS. Transmittal receipt or possession of the information does not comply, license, or imply any rights to use, sell, or manufacture from this information and no reproduction or publication of it, in whole or in part, shall be made without written authorization from PLESSEY PERIPHERAL SYS.

SIZE B	CODE IDENT NO. 52648	DWG NO. 701894
SCALE	REV C	SHEET 2 of 2

Form 000087

The information herein is the property of PLESSEY MEMORIES INCORPORATED. Transmittal, receipt or possession of the information does not convey license, or imply any rights to use, sell, or manufacture from this information and no reproduction or publication in any form or by any means shall be made without written authorization from PLESSEY MEMORIES INC.

REVISIONS				
ZONE	LTR	DESCRIPTION	DATE	APPROVED
A		REL TO PROD EO 2607	10-11-78	[Signature]



VIEW A
TYPICAL CONNECTOR
PIN IDENTIFICATION
SCALE: 2/1

PRODUCTION RELEASE

- 3 WIRE WRAP BACKPLANE USING ITEM 10 WIRE, PER WIRE LIST ITEM 17.
 - 2 MARK PART NUMBER, SUFFIX AND LATEST REVISION LETTER PER MIL-M-13231, GROUP III. LOCATE APPROXIMATELY AS SHOWN.
1. ASSEMBLE AND INSPECT PER WORKMANSHIP STANDARDS MANUAL.
- NOTES: UNLESS OTHERWISE SPECIFIED.

PART/ASSY NO. & QTY PER ASSY		DO NOT SCALE DRAWING		CONTRACT NO.	
PART/ASSY REV LTR		SCREW THREADS PER HANDBOOK H-48		DRAWN G M K 10-10-78	
-100 FINAL PM-TC II		COUNTERBORE AND SPOTFACE FILLET RASH TO BE .500 MAXIMUM		CHECK [Signature] 10-11-78	
NEXT ASSY USED ON		REMOVE ALL BURRS AND BREAK SHARP EDGES EQUIVALENT TO .25R		ENGR [Signature]	
APPLICATION		ROUNDSHIPS OF MACHINED SURFACES SEE PER USAS 846.1		PROJ. ENGR [Signature]	
		STANDARD HOLE TOLERANCE PER ASST 8800		PROD. DESIGN [Signature]	
		TOLERANCES ON .010 & .015 .0001 & .0002 ANGLES = 2 1/2°		SIZE CODE IDENT NO. DWG NO.	
		INTERPRET DIMENSIONS AND TOLERANCES PER USAS 846.1		D 52648 701895	
		DIMENSIONS ARE IN INCHES AND APPLY AFTER HEAT TREAT AND FINISH UNLESS OTHERWISE SPECIFIED		SCALE: 1/1 SHEET 1 OF 1	
				APPROVALS	

PARTS LIST		PREPARED BY	G MK	10-10-78	PARTS LIST NO.	PL701895-100	REV. LTR	A
		CHECKED BY	<i>[Signature]</i>		CODE IDENT NO.	52648	SH	1
		DESIGNED BY	<i>[Signature]</i>		MODEL NO.		OF	3
		APPROVED BY	<i>[Signature]</i>					
ASSEMBLY, BACKPLANE		DOC CONTROL	<i>[Signature]</i>	10-18-78				
PM-TC11								

LTR	DESCRIPTION	DATE	APPROVED	LTR	DESCRIPTION	DATE	APPROVED
A	REL TO PROD E02607	11-11-78	<i>[Signature]</i>				

PRODUCTION RELEASE

REV STATUS OF SHEETS	REV LTR	A	A	A										
	SHEET	1	2	3	4	5	6	7	8	9	10			

PARTS LIST		CODE IDENT NO.	52648	PARTS LIST NO.	PL701895-100	SH	2	REV. LTR	A

QTY REQD	PART OR IDENTIFYING NO.	NOMENCLATURE OR DESCRIPTION	SPECIFICATION	CODE IDENT NO.	ZONE	FIN O. D.	S Y N.	C/I USAGE				
								C/I CODE	TRY ON HAND	P A R	UNIT COST	
1	700492-100	FRAME ASSEMBLY				1	B					
1	701620-100	BOARD ASSY/BACKPLANE/UNIVERSAL				2	B					
2	700491-002	SPACER, BACKPLANE				3	E					
2	PRP-568-006	O-RING, COMPOUND: NEOPRENE #3110-70	PARCO	77308		4	A					
2	6143-55-0832	SCREW/CAPTIVE, 8-32 x 1.12 LG	AMATOM	06540		5	A					
4	MS51957-20	SCREW/4-40 x 7/8 PAN HEAD				6	A					
4	701007-001	SCREW, MODIFIED, 2-56 x 3/8 LG				7	A					
4	MS35333-35	WASHER/INT. TOOTH LOCKING #2				8	A					
						9	B					
150 FT	5951	WIRE/30 AWG KYNAR, COLOR: OPTIONAL	ALPHA WIRE	23172		10	A					
4	NAS671C2	NUT/HEX, *2-56				11	G					
1 FT	5953	WIRE/26 AWG KYNAR COLOR WHITE	ALPHA WIRE	23172		12	A					
3 FT	5953	WIRE/26 AWG KYNAR COLOR BLK	ALPHA WIRE	23172		13	A					

PARTS LIST		CODE IDENT NO.	52648	PARTS LIST NO.	PL701895-100	SH	3	REV. LTR	A

QTY REQD	PART OR IDENTIFYING NO.	NOMENCLATURE OR DESCRIPTION	SPECIFICATION	CODE IDENT NO.	ZONE	FIN O. D.	S Y N.	C/I USAGE				
								C/I CODE	TRY ON HAND	P A R	UNIT COST	
						14						
						15						
						16						
REF	WL701895	WIRE LIST, BACKPLANE ASSEMBLY PM-TC11				17	C					
						18						

The information hereon is the property of PLESSEY PERIPHERAL SYS. Transmittal receipt or possession of the information does not imply license, or imply any rights to use, sell, or manufacture from this information and no reproduction or publication of it, in whole or in part, shall be made without written authorization from PLESSEY PERIPHERAL SYS.

SIZE **B** CODE IDENT NO. 52648 DWG NO. PL 701895-100
 SCALE REV A SHEET 1 of 1

APPLICATION		REVISIONS			
NEXT ASSY	USED ON	LTR	DESCRIPTION	DATE	APPROVED
701895-100 Pm-TC11		A	REL TO PROJ E02607	10-11-78	[Signature]

PRODUCTION RELEASE

REV LTR	A																					
SHEET	22																					
REV LTR	A	A	A	A	A	A	A	A	A	A	A	A	A	A	A	A	A	A	A	A		
SHEET	1.0	1.1	2	3	4	5	6	7	8	9	10	11	12	13	14	15	16	17	18	19	20	21

CONTRACT NO.		Plessey Peripheral Systems
NO NOT SCALE DRAWING		
RENEW THREADS PER HANDBOOK # 22	DRAWN [Signature]	10-10-78
COUNTERBORES AND DRILLING FILLET RADIUS TO BE 1/16" MINIMUM	CHECKED [Signature]	10-11-78
REMOVE ALL BURRS AND BREAK SHARP EDGES EQUIVALENT TO 2R	DESIGN [Signature]	10-11-78
ROUGHNESS OF MACHINED SURFACES 125/1000 PER ASME B46.1	PROJ. ENGR. [Signature]	10-11-78
STANDARD HOLE TOLERANCE PER ANSI 1927		
TOLERANCES ON .25" & .50" DIA. ANGLES - 1/2" & 1"		
INTERPRET DIMENSIONS AND TOLERANCES PER ANSI Y14.5		
DIMENSIONS ARE IN INCHES AND APPLY AFTER HEAT TREAT AND FINISH UNLESS OTHERWISE SPECIFIED		

SIZE	CODE IDENT NO.	DWG NO.
A	52648	WL 701895-100
SCALE:		SHEET 1.0 OF 23

PLESSEY JOB 8403 W/L WL 701895-100 A FINAL

LISTING BY SIGNAL		WIRE ROUTER		8-07-78	
SIGNAL	LOCATION	REMARKS	TW PAIR	PAGE	1.1
-15V1	-V1	26AWG-WHITE	1 10		
-15V1	E 04 B2	26AWG-WHITE	1 20	TSL	2.3 IN.
-15V2	-V2	26AWG-WHITE	2 10		
-15V2	E J3 B2	26AWG-WHITE	2 20	TSL	2.3 IN.
A/3/	B 01 M2		3 10		
A/8/	B 02 M2		3 20	TSL	0.5 IN.
AD000	B 03 B2		4 10		
AD000	C 02 R1		4 20	TSL	4.0 IN.
ALLDEAD/	C 04 A1		5 10		
ALLDEAD/	C 03 T2		5 20		
ALLDEAD/	E 01 N2		5 30	TSL	6.7 IN.
A00/	B 01 H2		6 10		
A00/	B 02 H2		6 20	TSL	0.5 IN.
A01/	B 01 H1		7 10		
A01/	B 02 H1		7 20	TSL	0.5 IN.
A02/	B 01 J2		8 10		
A02/	B 02 J2		8 20	TSL	0.5 IN.
A03/	B 01 J1		9 10		
A03/	B 02 J1		9 20	TSL	0.5 IN.
A04/	B 01 K2		10 10		
A04/	B 02 K2		10 20	TSL	0.5 IN.
A05/	B 01 K1		11 10		
A05/	B 02 K1		11 20	TSL	0.5 IN.
A06/	B 01 L2		12 10		
A06/	B 02 L2		12 20	TSL	0.5 IN.

PLESSEY JOB 8403 W/L WL 701895-100 A FINAL

LISTING BY SIGNAL		WIRE ROUTER		8-07-78	
SIGNAL	LOCATION	REMARKS	TW PAIR	PAGE	2
A07/	B 01 L1		S	13 10	
A07/	B 02 L1			13 20	TSL 0.5 IN.
A09/	B 01 M1		S	14 10	
A09/	B 02 M1			14 20	TSL 0.5 IN.
A10/	B 01 N2		S	15 10	
A10/	B 02 N2			15 20	TSL 0.5 IN.
A11/	B 01 N1		S	16 10	
A11/	B 02 N1			16 20	TSL 0.5 IN.
A12/	B 01 P2		S	17 10	
A12/	B 02 P2			17 20	TSL 0.5 IN.
A13/	B 01 P1		S	18 10	
A13/	B 02 P1			18 20	TSL 0.5 IN.
A14/	B 01 R2		S	19 10	
A14/	B 02 R2			19 20	TSL 0.5 IN.
A15/	B 01 R1		S	20 10	
A15/	B 02 R1			20 20	TSL 0.5 IN.
A16/	B 01 S2		S	21 10	
A16/	B 02 S2			21 20	TSL 0.5 IN.
A17/	B 01 S1		S	22 10	
A17/	B 02 S1			22 20	TSL 0.5 IN.
BBSY/	A 01 P2			23 10	
BBSY/	A 02 P2		S	23 20	TSL 0.5 IN.
BGIN4	B 01 E2		S	24 10	
BGIN4	B 02 E2			24 20	TSL 0.5 IN.
BGIN5	B 01 B1		S	25 10	

SEE NEXT PAGE

PLESSEY JOB 8403 W/L WL 701895-100 A FINAL

LISTING BY SIGNAL		WIRE ROUTER		8-07-78	
SIGNAL	LOCATION	REMARKS	TW PAIR	PAGE	3
CONTINUED					
BGIN5	B 02 B1			25 20	TSL 0.5 IN.
BGIN6	B 01 A1		S	26 10	
BGIN6	B 02 A1			26 20	TSL 0.5 IN.
BGIN7	A 01 V1		S	27 10	
BGIN7	A 02 S1			27 20	TSL 0.6 IN.
BGL	A 03 E1		S	28 10	
BGL	A 02 M1			28 20	
BGL	F 01 A1			28 30	TSL 12.9 IN.
BGT4	B 04 E2			29 10	
BGT4	C 02 C1		S	29 20	TSL 2.5 IN.
BGT5	B 04 B1			30 10	
BGT5	C 02 B2		S	30 20	TSL 2.6 IN.
BGT6	B 04 A1			31 10	
BGT6	C 02 B1		S	31 20	TSL 2.8 IN.
BGT7	A 04 V1			32 10	
BGT7	C 02 A1		S	32 20	TSL 3.2 IN.
B01	E 01 H1			33 10	
B01	D 02 U2		S	33 20	
B01	C 04 K2			33 30	TSL 5.2 IN.
BR4/	B 01 D2			34 10	
BR4/	B 02 D2		S	34 20	TSL 0.5 IN.
BR5/	B 01 C1			35 10	
BR5/	B 02 C1		S	35 20	TSL 0.5 IN.
BR6/	A 01 U2			36 10	
BR6/	A 02 U2		S	36 20	TSL 0.5 IN.

CODE IDENT NO. **B** 52648
 DWG NO. WL 701895-100
 REV A
 SCALE
 SHEET 1 of 6

The information hereon is the property of PLESSEY PERIPHERAL SYS. Transmittal receipt or possession of the information does not imply license, or imply any rights to use, sell, or manufacture from this information and no reproduction or publication of it, in whole or in part, shall be made without written authorization from PLESSEY PERIPHERAL SYS.

LISTING BY SIGNAL WIRE ROUTER 9-07-78

LISTING BY SIGNAL WIRE ROUTER 8-07-78

SIGNAL	LOCATION	REMARKS	TW PAIR	PAGE	4
DR7/ BR7/	A 01 T2 A 02 T2		S	37	10 20 TSL 0.5 IN.
BTE+OPI BTE+OPI	A 02 N2 E 01 U2		S	38	10 20 TSL 11.1 IN.
BTG/ BTG/	D 02 T2 E 01 P2		S	39	10 20 TSL 2.1 IN.
BUFOCLK BUFOCLK	D 03 P1 F 04 L1		S	40	10 20 TSL 4.9 IN.
BUFS/ BUFS/ BUFS/	C 04 D1 C 03 S1 D 01 V1		S	41	10 20 30 TSL 4.6 IN.
BYTEENDR/ BYIFENDR/	A 03 C1 D 02 F2		S	42	10 20 TSL 8.3 IN.
BYTEPERR/ BYTEPERR/	D 03 K2 E 01 S2		S	43	10 20 TSL 3.4 IN.
CHANACT/ CHANACT/	C 04 F2 E 01 R2		S	44	10 20 TSL 6.4 IN.
CLK CLK CLK	D 04 V1 D 03 S1 C 01 H1		S	45	10 20 30 TSL 4.4 IN.
CLK1 CLK1	C 01 U1 C 02 U1		S	46	10 20 TSL 0.5 IN.
CLRBBSY/ CLRBBSY/	A 03 H1 D 02 R1		S	47	10 20 TSL 8.8 IN.
CORRERR CORRERR	F 01 H1 F 02 V1		S	48	10 20 TSL 1.4 IN.

SIGNAL	LOCATION	REMARKS	TW PAIR	PAGE	6
CONTINUED					
DEADTRK3/	D 03 L2			61	20 TSL 2.5 IN.
DEADTRK4/ DEADTRK4/	C 04 R2 D 03 H1		S	62	10 20 TSL 1.4 IN.
DEADTRK5/ DEADTRK5/	D 03 J1 E 04 U2		S	63	10 20 TSL 3.6 IN.
DEADTRK6/ DEADTRK6/	D 03 D2 D 04 H2		S	64	10 20 TSL 1.1 IN.
DEADTRK7/ DEADTRK7/	D 03 K1 D 04 U2		S	65	10 20 TSL 1.1 IN.
DLYCNT DLYCNT	A 03 N1 D 01 U2		S	66	10 20 TSL 8.6 IN.
DDIT DDIT	C 01 D2 E 02 K1		S	67	10 20 TSL 5.8 IN.
DOO/ DOO/	A 01 C1 A 02 C1			68	10 20 TSL 0.5 IN.
DO1/ DO1/	A 01 D2 A 02 D2			69	10 20 TSL 0.5 IN.
DO2/ DO2/	A 01 D1 A 02 D1			70	10 20 TSL 0.5 IN.
DO3/ DO3/	A 01 E2 A 02 E2			71	10 20 TSL 0.5 IN.
DO4/ DO4/	A 01 E1 A 02 E1			72	10 20 TSL 0.5 IN.
DO5/	A 01 F2			73	10
SEE NEXT PAGE					

LISTING BY SIGNAL WIRE ROUTER 8-07-78

LISTING BY SIGNAL WIRE ROUTER 8-07-78

SIGNAL	LOCATION	REMARKS	TW PAIR	PAGE	5
CRCERR CRCERR	B 02 F2 F 01 N1		S	49	10 20 TSL 11.2 IN.
CRCMATCH/ CRCMATCH/	A 03 B1 F 01 P1		S	50	10 20 TSL 14.6 IN.
CRCWND/ CRCWND/	B 03 S1 F 01 M2		S	51	10 20 TSL 10.0 IN.
CURDY CURDY	C 01 S2 F 02 N2		S	52	10 20 TSL 7.6 IN.
CURDYDLY CURDYDLY	C 01 E2 F 02 B2		S	53	10 20 TSL 7.6 IN.
CO CO	B 01 U2 B 02 U2		S	54	10 20 TSL 0.5 IN.
C1 C1	B 01 T2 B 02 T2		S	55	10 20 TSL 0.5 IN.
DCS6 DCS6	E 01 V1 F 03 E1		S	56	10 20 TSL 1.5 IN.
DEADTRK0/ DEADTRK0/	D 03 J2 E 04 S2		S	57	10 20 TSL 3.4 IN.
DEADTRK0/ DEADTRK0/	D 03 A1 E 04 V1		S	58	10 20 TSL 4.6 IN.
DEADTRK1/ DEADTRK1/	C 04 P1 D 03 D1		S	59	10 20 TSL 1.7 IN.
DEADTRK2/ DEADTRK2/	D 03 C1 D 04 S1		S	60	10 20 TSL 1.5 IN.
DEADTRK3/	C 04 N1		S	61	10
SEE NEXT PAGE					

SIGNAL	LOCATION	REMARKS	TW PAIR	PAGE	7
CONTINUED					
DO5/	A 02 F2			73	20 TSL 0.5 IN.
DO6/ DO6/	A 01 F1 A 02 F1			74	10 20 TSL 0.5 IN.
DO7/ DO7/	A 01 H2 A 02 H2			75	10 20 TSL 0.5 IN.
DO8/ DO8/	A 01 H1 A 02 H1			76	10 20 TSL 0.5 IN.
DO9/ DO9/	A 01 J2 A 02 J2			77	10 20 TSL 0.5 IN.
D10/ D10/	A 01 J1 A 02 J1			78	10 20 TSL 0.5 IN.
D11/ D11/	A 01 K2 A 02 K2			79	10 20 TSL 0.5 IN.
D12/ D12/	A 01 K1 A 02 K1			80	10 20 TSL 0.5 IN.
D13/ D13/	A 01 L2 A 02 L2			81	10 20 TSL 0.5 IN.
D14/ D14/	A 01 L1 A 02 L1			82	10 20 TSL 0.5 IN.
D15/ D15/	A 01 M2 A 02 M2			83	10 20 TSL 0.5 IN.
EDIT EDIT	C 01 L1 E 02 B1		S	84	10 20 TSL 4.2 IN.
EQRD	B 03 F1		S	85	10
SEE NEXT PAGE					

The information hereon is the property of PLESSEY PERIPHERAL SYS. Transmittal receipt or possession of the information does not comply, license, or imply any rights to use, sell, or manufacture from this information and no reproduction or publication of it, in whole or in part, shall be made without written authorization from PLESSEY PERIPHERAL SYS.

SIZE **B** CODE IDENT NO. 52648 DWG NO. WL 701895-100 SCALE REV A SHEET 2 of 6

LISTING BY SIGNAL		WIRE ROUTER		8-07-78	
SIGNAL	LOCATION	REMARKS	TW PAIR	PAGE	8
CONTINUED					
EORD	E 02 J1			85	20 TSL 8.0 IN.
EORD/	F 01 R2			86	10
EORD/	E 02 J2			86	20
EORD/	B 03 R1	S		86	30 TSL 10.5 IN.
EOT	D 02 E2		S	87	10
EOT	E 01 K2			87	20 TSL 3.0 IN.
EPSEL	C 03 M2			88	10
EPSEL	D 01 F2	S		88	20 TSL 2.3 IN.
ERR	F 01 K2		S	89	10
ERR	F 02 P1			89	20 TSL 0.6 IN.
EVP	D 01 F1			90	10
EVP	E 02 F2	S		90	20 TSL 2.5 IN.
FIFOLD	B 03 N1		S	91	10
FIFOLD	F 01 R1			91	20 TSL 10.7 IN.
FIFORD	B 03 P1		S	92	10
FIFORD	D 01 R2			92	20 TSL 5.4 IN.
FM	F 01 C1			93	10
FM	D 03 V1	S		93	20
FM	B 02 E1			93	30 TSL 10.3 IN.
FMPE/	C 04 D2		S	94	10
FMPE/	D 03 L1			94	20 TSL 3.5 IN.
FMRST/	C 04 L1		S	95	10
FMRST/	D 03 F1			95	20 TSL 2.3 IN.
FODP	B 03 U1		S	96	10
FODP	E 02 K2			96	20 TSL 6.7 IN.

LISTING BY SIGNAL		WIRE ROUTER		8-07-78	
SIGNAL	LOCATION	REMARKS	TW PAIR	PAGE	9
FOD0	A 03 U2		S	97	10
FOD0	C 02 P1			97	20 TSL 4.7 IN.
FOD1	A 03 M1		S	98	10
FOD1	C 02 M2			98	20 TSL 5.2 IN.
FOD2	B 03 A1		S	99	10
FOD2	C 02 L1			99	20 TSL 3.6 IN.
FOD3	A 03 L1		S	100	10
FOD3	C 02 P2			100	20 TSL 5.6 IN.
FOD4	B 03 H1		S	101	10
FOD4	C 02 N1			101	20 TSL 3.1 IN.
FOD5	B 03 D1		S	102	10
FOD5	C 02 L2			102	20 TSL 3.2 IN.
FOD6	B 03 C1		S	103	10
FOD6	C 02 K1			103	20 TSL 3.2 IN.
FOD7	B 03 E1		S	104	10
FOD7	C 02 N2			104	20 TSL 3.3 IN.
FORA	B 03 J1		S	105	10
FORA	F 01 S1			105	20 TSL 11.4 IN.
GNDC1	C 01 C2	26AWG-BLACK		106	10
GNDC1	C 01 T1	26AWG-BLACK		106	20 TSL 1.6 IN.
GNDC2	C 02 C2	26AWG-BLACK		107	10
GNDC2	C 02 T1	26AWG-BLACK		107	20 TSL 1.6 IN.
GNDC3	C 03 C2	26AWG-BLACK		108	10
GNDC3	C 03 T1	26AWG-BLACK		108	20 TSL 1.6 IN.
GNDC4	C 04 C2	26AWG-BLACK		109	10

SEE NEXT PAGE

LISTING BY SIGNAL		WIRE ROUTER		8-07-78	
SIGNAL	LOCATION	REMARKS	TW PAIR	PAGE	10
CONTINUED					
GNDC4	C 04 T1	26AWG-BLACK		109	20 TSL 1.6 IN.
GNDD1	D 01 C2	26AWG-BLACK		110	10
GNDD1	D 01 T1	26AWG-BLACK		110	20 TSL 1.6 IN.
GNDD2	D 02 C2	26AWG-BLACK		111	10
GNDD2	D 02 T1	26AWG-BLACK		111	20 TSL 1.6 IN.
GNDD3	D 03 C2	26AWG-BLACK		112	10
GNDD3	D 03 T1	26AWG-BLACK		112	20 TSL 1.6 IN.
GNDD4	D 04 C2	26AWG-BLACK		113	10
GNDD4	D 04 T1	26AWG-BLACK		113	20 TSL 1.6 IN.
GNDE1	E 01 C2	26AWG-BLACK		114	10
GNDE1	E 01 T1	26AWG-BLACK		114	20 TSL 1.6 IN.
GNDE2	E 02 C2	26AWG-BLACK		115	10
GNDE2	E 02 T1	26AWG-BLACK		115	20 TSL 1.6 IN.
GNDE3	E 03 C2	26AWG-BLACK		116	10
GNDE3	E 03 T1	26AWG-BLACK		116	20 TSL 1.6 IN.
GNDE4	E 04 C2	26AWG-BLACK		117	10
GNDE4	E 04 T1	26AWG-BLACK		117	20 TSL 1.6 IN.
GNDF1	F 01 C2	26AWG-BLACK		118	10
GNDF1	F 01 T1	26AWG-BLACK		118	20 TSL 1.6 IN.
GNDF2	F 02 C2	26AWG-BLACK		119	10
GNDF2	F 02 T1	26AWG-BLACK		119	20 TSL 1.6 IN.
GNDF3	F 03 C2	26AWG-BLACK		120	10
GNDF3	F 03 T1	26AWG-BLACK		120	20 TSL 1.6 IN.
GNDF4	F 04 C2	26AWG-BLACK		121	10

SEE NEXT PAGE

LISTING BY SIGNAL		WIRE ROUTER		8-07-78	
SIGNAL	LOCATION	REMARKS	TW PAIR	PAGE	11
CONTINUED					
GNDF4	F 04 T1	26AWG-BLACK		121	20 TSL 1.6 IN.
GO	C 01 R2			122	10
GO	D 02 N2	S		122	20 TSL 2.5 IN.
GODLY	D 01 K2		S	123	10
GODLY	D 02 R2			123	20 TSL 0.8 IN.
HCHAR	A 03 F1		S	124	10
HCHAR	F 02 S1			124	20 TSL 14.3 IN.
HDEN	D 02 S2		S	125	10
HDEN	F 03 A1			125	20 TSL 3.5 IN.
HOLD/	B 03 M2			126	10
HOLD/	E 01 R1	S		126	20 TSL 8.2 IN.
IBM	A 03 T2			127	10
IBM	E 02 A1	S		127	20 TSL 8.6 IN.
ILC	E 01 V2			128	10
ILC	F 02 K1	S		128	20 TSL 1.6 IN.
ILC+OPI/	D 02 J2			129	10
ILC+OPI/	F 01 V1	S		129	20 TSL 6.5 IN.
ILC/	C 01 M2			130	10
ILC/	F 02 K2	S		130	20 TSL 7.7 IN.
INHERRS/	D 04 B1			131	10
INHERRS/	F 01 V2	S		131	20 TSL 7.3 IN.
INIT+GO/	D 01 U1			132	10
INIT+GO/	D 02 U1	S		132	20
INIT+GO/	D 03 U1			132	30
INIT+GO/	D 04 U1			132	40 TSL 1.5 IN.

The information hereon is the property of PLESSEY PERIPHERAL SYS. Transmittal receipt or possession of the information does not imply license, or imply any rights to use, sell, or manufacture from this information and no reproduction or publication of it, in whole or in part, shall be made without written authorization from PLESSEY PERIPHERAL SYS.

SIZE CODE IDENT NO. DWG NO.

B 52648

WL 701895-100

SHEET 3 of 6

REV A

SCALE

Form 000087

LISTING BY SIGNAL		WIRE ROUTER		8-07-78	
SIGNAL	LOCATION	REMARKS	TW PAIR	PAGE	12
INIT/	A G1 A1		S	133	10
INIT/	A J2 A1			133	20 TSL 0.5 IN.
INITPLS/	C 01 N2			134	10
INITPLS/	D 02 H1		S	134	20 TSL 1.5 IN.
INTR/	A 01 B1			135	10
INTR/	A 02 B1		S	135	20 TSL 0.5 IN.
LASTBYTE	C 02 V1		S	136	10
LASTBYTE	F 03 D1			136	20 TSL 6.2 IN.
LASTBYTE/RCD	C 03 J1			137	10
LASTBYTE/RCD	E 01 H2		S	137	20 TSL 5.6 IN.
LCHAR	A 03 D1		S	138	10
LCHAR	F 02 R1			138	20 TSL 14.5 IN.
LCRMATCH/	F 01 J2			139	10
LCRMATCH/	F 03 R1		S	139	20 TSL 1.1 IN.
LOCK	C 04 K1			140	10
LOCK	C 03 M1			140	20
LOCK	F 01 B1		S	140	30 TSL 7.4 IN.
LPSD	F 04 K1			141	10
LPSD	E 03 V2			141	20
LPSD	D 01 S2		S	141	30 TSL 4.6 IN.
LRCP	F 02 U1			142	10
LRCP	F 03 U1		S	142	20 TSL 0.5 IN.
LRC0	A 02 V1			143	10
LRC0	F 03 S1		S	143	20 TSL 12.8 IN.
LRC1	F 02 V2			144	10
LRC1	F 03 V2		S	144	20 TSL 0.5 IN.

LISTING BY SIGNAL		WIRE ROUTER		8-07-78	
SIGNAL	LOCATION	REMARKS	TW PAIR	PAGE	13
LRC2	F 02 T2			145	10
LRC2	F 03 T2		S	145	20 TSL 0.5 IN.
LRC3	F 02 U2			146	10
LRC3	F 03 U2		S	146	20 TSL 0.5 IN.
LRC4	F 02 R2			147	10
LRC4	F 03 R2		S	147	20 TSL 0.5 IN.
LRC5	F 02 S2			148	10
LRC5	F 03 S2		S	148	20 TSL 0.5 IN.
LRC6	F 02 P2			149	10
LRC6	F 03 P2		S	149	20 TSL 0.5 IN.
LRC7	A 02 V2			150	10
LRC7	F 03 K1		S	150	20 TSL 12.1 IN.
MSYN/	B 01 V1			151	10
MSYN/	B 02 V1		S	151	20 TSL 0.5 IN.
MSYNT	C 01 P2			152	10
MSYNT	F 02 L2		S	152	20 TSL 7.6 IN.
MULTIDEAD/	C 04 E2		S	153	10
MULTIDEAD/	F 01 U2			153	20 TSL 9.6 IN.
NPGIN	A 01 U1		S	154	10
NPGIN	A 02 R1			154	20 TSL 0.6 IN.
NPGOUT	A 04 U1			155	10
NPGOUT	C 02 D1		S	155	20 TSL 3.7 IN.
NPR/	A 01 S2			156	10
NPR/	A 02 S2		S	156	20 TSL 0.5 IN.
NPRENBL/	A 03 P1		S	157	10

LISTING BY SIGNAL		WIRE ROUTER		8-07-78	
SIGNAL	LOCATION	REMARKS	TW PAIR	PAGE	14
#CONTINUED#					
NPRENBL/	F 02 A1			157	20 TSL 11.7 IN.
NXM	D 01 A1		S	158	10
NXM	D 02 H2			158	20 TSL 0.9 IN.
ONEDEAD/	C 04 C1		S	159	10
ONEDEAD/	E 01 S1			159	20 TSL 6.9 IN.
ONESCHAR	C 03 N1		S	160	10
ONESCHAR	F 01 S2			160	20 TSL 8.4 IN.
ONESFLAG	B 03 L2		S	161	10
ONESFLAG	D 01 P1			161	20 TSL 5.7 IN.
OPI/	D 03 R1		S	162	10
OPI/	E 01 J2			162	20 TSL 1.9 IN.
OVERFLOW	F 03 B1			163	10
OVERFLOW	E 01 U1			163	20
OVERFLOW	C 02 U2		S	163	30 TSL 6.5 IN.
PACK	C 02 R2		S	164	10
PACK	C 03 F1			164	20 TSL 1.0 IN.
PACK/	B 03 B1			165	10
PACK/	E 02 F1		S	165	20 TSL 8.2 IN.
PAE	A 02 P1			166	10
PAE	F 01 J1		S	166	20 TSL 12.6 IN.
PCCK/	D 04 M2			167	10
PCCK/	F 01 U1		S	167	20 TSL 6.2 IN.
PE/	D 01 L1			168	10
PE/	D 04 N1			168	20
PE/	E 03 H1			168	30

SEE NEXT PAGE

LISTING BY SIGNAL		WIRE ROUTER		8-07-78	
SIGNAL	LOCATION	REMARKS	TW PAIR	PAGE	15
#CONTINUED#					
PE/	F 02 E1		S	168	40 TSL 5.9 IN.
PEENRCD	B 03 K1			169	10
PEENRCD	F 01 E2		S	169	20 TSL 10.0 IN.
PEID	F 01 H2		S	170	10
PEID	F 02 M2			170	20 TSL 0.7 IN.
PEIDCLK/	C 03 L1			171	10
PEIDCLK/	E 01 M1		S	171	20 TSL 5.4 IN.
PERDP/	E 03 J1			172	10
PERDP/	F 04 D1		S	172	20 TSL 2.3 IN.
PERD0/	E 03 L1			173	10
PERD0/	F 04 E1		S	173	20 TSL 2.1 IN.
PERD1/	C 04 U2		S	174	10
PERD1/	E 03 A1			174	20 TSL 3.3 IN.
PERD2/	E 03 L2			175	10
PERD2/	E 04 C1		S	175	20 TSL 0.9 IN.
PERD3/	C 04 V1		S	176	10
PERD3/	E 03 B1			176	20 TSL 3.2 IN.
PERD4/	D 04 A1		S	177	10
PERD4/	E 03 K2			177	20 TSL 3.5 IN.
PERD5/	E 03 C1			178	10
PERD5/	F 04 C1		S	178	20 TSL 2.7 IN.
PERD6/	E 03 K1			179	10
PERD6/	E 04 D1		S	179	20 TSL 0.8 IN.
PERD7/	E 03 D2			180	10

SEE NEXT PAGE

The information herein is the property of PLESSEY PERIPHERAL SYS. Transmittal receipt or possession of the information does not imply license, or imply any rights to use, sell, or manufacture from this information and no reproduction or publication of it, in whole or in part, shall be made without written authorization from PLESSEY PERIPHERAL SYS.

SIZE CODE IDENT NO. DWG NO.

B 52648 WL 701895-100

SCALE REV A SHEET 4 OF 6

LISTING BY SIGNAL		WIRE ROUTER		8-07-78	
SIGNAL	LOCATION	REMARKS	TW PAIR	PAGE	16
#CONTINUED#					
PERD7/	E 04 D2		S	180	20 TSL 0.5 IN.
PERR	C 03 R1			181	10
PERR	F 01 E1		S	181	20 TSL 6.9 IN.
PEWRBOT	D 03 M1			182	10
PEWRBOT	E 01 C1		S	182	20 TSL 1.8 IN.
RCDT	C 02 V2			183	10
RCDT	D 01 P2		S	183	20 TSL 2.1 IN.
RDCHKCHAR/	A 03 R1			184	10
RDCHKCHAR/	E 02 V2		S	184	20 TSL 11.0 IN.
RDCLK	D 01 H1			185	10
RDCLK	D 04 P1			185	20
RDCLK	E 03 J2			185	30 TSL 3.5 IN.
RDFIFORD/	A 03 R2		S	186	10
RDFIFORD/	E 02 P2			186	20 TSL 10.3 IN.
RDP/	E 03 D1			187	10
RDP/	E 04 U1		S	187	20 TSL 1.7 IN.
RDS/	D 01 C1			188	10
RDS/	E 03 E2		S	188	20 TSL 2.9 IN.
RDSTR/	D 03 H2			189	10
RDSTR/	E 01 D2		S	189	20 TSL 2.3 IN.
RDY/	F 01 L2			190	10
RDY/	F 02 J2		S	190	20 TSL 0.5 IN.
RDO/	E 03 U1			191	10
RDO/	F 04 A1		S	191	20 TSL 0.9 IN.

LISTING BY SIGNAL		WIRE ROUTER		8-07-78	
SIGNAL	LOCATION	REMARKS	TW PAIR	PAGE	17
RD1/	C 04 S2			192	10
RD1/	E 03 T2		S	192	20 TSL 5.3 IN.
RD2/	E 03 V1			193	10
RD2/	E 04 B1		S	193	20 TSL 2.0 IN.
RD3/	C 04 N2			194	10
RD3/	E 03 U2		S	194	20 TSL 5.8 IN.
RD4/	C 04 S1			195	10
RD4/	E 03 R2		S	195	20 TSL 5.1 IN.
RD5/	E 03 P2			196	10
RD5/	F 04 B1		S	196	20 TSL 1.4 IN.
RD6/	D 04 R1			197	10
RD6/	E 03 P1		S	197	20 TSL 2.4 IN.
RD7/	E 03 R1			198	10
RD7/	E 04 A1		S	198	20 TSL 1.7 IN.
READ/	C 03 U2			199	10
READ/	D 02 K1		S	199	20
READ/	F 01 M1			199	30 TSL 7.3 IN.
RLE	A 02 N1			200	10
RLE	F 01 P2		S	200	20 TSL 13.3 IN.
RST	D 01 M2			201	10
RST	D 02 M2		S	201	20
RST	D 03 M2			201	30 TSL 1.0 IN.
RSTDONES/	E 01 P1			202	10
RSTDONES/	F 02 D2		S	202	20 TSL 1.7 IN.
RVRS/	C 01 R1			203	10
RVRS/	D 03 U2			203	20

#SEE NEXT PAGE#

LISTING BY SIGNAL		WIRE ROUTER		8-07-78	
SIGNAL	LOCATION	REMARKS	TW PAIR	PAGE	18
#CONTINUED#					
RVRS/	F 02 N1		S	203	30 TSL 7.9 IN.
RWD/	D 02 D2			204	10
RWD/	E 01 F2		S	204	20 TSL 2.7 IN.
RWDS	D 02 S1			205	10
RWDS	F 01 D1		S	205	20 TSL 3.9 IN.
SACK/	A 01 R2			206	10
SACK/	A 02 R2		S	206	20 TSL 0.5 IN.
SDWN	A 02 U1			207	10
SDWN	F 01 K1		S	207	20 TSL 12.2 IN.
SELLRC	A 03 S2			208	10
SELLRC	E 02 L1		S	208	20 TSL 9.8 IN.
SKEWERR/	C 04 E1			209	10
SKEWERR/	D 01 E2		S	209	20 TSL 3.0 IN.
SLOWBYTE/	A 03 S1			210	10
SLOWBYTE/	F 02 M1		S	210	20 TSL 12.7 IN.
SPACE/	D 04 M1			211	10
SPACE/	D 02 P1		S	211	20
SPACE/	F 01 D2			211	30 TSL 5.1 IN.
SPCLK	C 01 J2			212	10
SPCLK	E 02 H1		S	212	20 TSL 5.1 IN.
SPCLK/	B 03 L1			213	10
SPCLK/	E 01 A1		S	213	20 TSL 6.7 IN.
SPDSEL	C 01 V2			214	10
SPDSEL	D 02 E1		S	214	20 TSL 1.1 IN.

LISTING BY SIGNAL		WIRE ROUTER		8-07-78	
SIGNAL	LOCATION	REMARKS	TW PAIR	PAGE	19
SPEID/	E 04 S1			215	10
SPEID/	F 01 F2		S	215	20 TSL 2.1 IN.
SPRVS/	C 01 B1			216	10
SPRVS/	E 02 U2		S	216	20 TSL 7.1 IN.
SSYN/	B 01 U1			217	10
SSYN/	B 02 U1		S	217	20 TSL 0.5 IN.
START/	C 01 F2			218	10
START/	E 02 L2		S	218	20 TSL 5.7 IN.
STOP/	C 02 K2			219	10
STOP/	C 01 P1		S	219	20
STOP/	F 03 C1			219	30 TSL 7.6 IN.
STRTSEQ	C 01 T2			220	10
STRTSEQ	D 03 E2		S	220	20 TSL 1.7 IN.
SIEND/	E 01 H2			221	10
SIEND/	F 02 B1		S	221	20 TSL 2.1 IN.
S2/	D 01 N2			222	10
S2/	D 03 N2		S	222	20 TSL 1.0 IN.
S3	C 03 L2			223	10
S3	E 01 K1		S	223	20 TSL 5.2 IN.
S4/	D 01 D1			224	10
S4/	F 03 D2		S	224	20 TSL 5.3 IN.
S5/	D 03 N1			225	10
S5/	D 04 E1			225	20
S5/	D 01 D2		S	225	30 TSL 2.3 IN.
S5END/	D 03 H1			226	10
S5END/	E 01 N1		S	226	20 TSL 3.2 IN.

The information hereon is the property of PLESSEY PERIPHERAL SYS. Transmittal receipt or possession of the information does not comply, license, or imply any rights to use, sell, or manufacture from this information and no reproduction or publication of it, in whole or in part, shall be made without written authorization from PLESSEY PERIPHERAL SYS.

SIZE CODE IDENT NO. DWG NO. B 52648 WL 701895-100

SCALE REV A SHEET 5 of 6

LISTING BY SIGNAL		WIRE ROUTER		8-07-78	
SIGNAL	LOCATION	REMARKS	TW PAIR	PAGE	20
S6/	D 01 J2		S	227	10
S6/	D 02 L1			227	20 TSL 0.4 IN.
TAPMTN	B 03 W2			228	10
TAPMTN	C 01 F1		S	228	20
TAPMTN	E 02 F2			228	30
TAPMTN	F 03 H1			228	40 TSL 10.1 IN.
TAPMTN/	C 01 D1		S	229	10
TAPMTN/	E 02 D2			229	20 TSL 5.2 IN.
TPRDY	E 02 R2			230	10
TPRDY	F 01 F1		S	230	20 TSL 1.8 IN.
TPRDY/	E 01 L1		S	231	10
TPRDY/	E 02 D1			231	20 TSL 0.9 IN.
VCO/	D 01 L2			232	10
VCO/	D 04 C1		S	232	20 TSL 1.6 IN.
VCOD	C 03 V1			233	10
VCOD	E 01 D1		S	233	20 TSL 3.6 IN.
VCOR	B 03 V1			234	10
VCOR	C 04 F1			234	20
VCOR	E 01 E2		S	234	30 TSL 6.3 IN.
WAIT	C 01 C1			235	10
WAIT	E 02 M2		S	235	20 TSL 6.2 IN.
WEOF/	E 02 S1		S	236	10
WEOF/	E 03 S2			236	20 TSL 0.6 IN.
WERG/	D 01 S1			237	10
WERG/	E 02 R1		S	237	20 TSL 2.4 IN.
WRDT/	F 01 N2			238	10

#SEE NEXT PAGE#

LISTING BY SIGNAL		WIRE ROUTER		8-07-78	
SIGNAL	LOCATION	REMARKS	TW PAIR	PAGE	22
WRTRDIME	D 01 V2		S	250	10
WRTRDIME	D 03 V2			250	20
WRTRDIME	C 04 B1			250	30 TSL 5.7 IN.
WSRST/	A 03 K1			251	10
WSRST/	E 01 L2		S	251	20 TSL 10.6 IN.
XCLK	E 01 E1		S	252	10
XCLK	E 02 E1			252	20
XCLK	D 03 F2			252	30 TSL 2.9 IN.
XFR	C 03 P1			253	10
XFR	F 02 L1		S	253	20 TSL 7.6 IN.
ZEROCHAR	C 03 N2		S	254	10
ZEROCHAR	E 01 B1			254	20 TSL 4.1 IN.
10KCCLOCK	A 02 B2			255	10
10KCCLOCK	D 01 B1		S	255	20 TSL 8.0 IN.
556BPI/	C 01 L2			256	10
556BPI/	F 02 F1		S	256	20 TSL 7.5 IN.
7TRK	D 02 J1		S	257	10
7TRK	C 01 V1			257	20
7TRK	B 03 M1			257	30 TSL 5.0 IN.
7TRK/	C 03 H2			258	10
7TRK/	E 02 P1		S	258	20 TSL 6.0 IN.
800BPI/	D 01 R1			259	10
800BPI/	F 02 F2		S	259	20 TSL 4.2 IN.
9TRKNRZI	F 01 L1			260	10
9TRKNRZI	F 02 E2		S	260	20
9TRKNRZI	E 03 S1			260	30 TSL 2.4 IN.

EOJ CARD COUNT 550

TOTAL SINGLE PINS NONE

LISTING BY SIGNAL		WIRE ROUTER		8-07-78	
SIGNAL	LOCATION	REMARKS	TW PAIR	PAGE	21
#CONTINUED#					
WRDT/	E 02 T2		S	238	20
WRDT/	D 03 E1			238	30 TSL 6.1 IN.
WRT	C 03 B1			239	10
WRT	C 01 J1			239	20
WRT	E 02 S2		S	239	30 TSL 7.3 IN.
WRT/	C 01 H2			240	10
WRT/	F 02 D1		S	240	20 TSL 7.6 IN.
WRDTA0	C 02 F2		S	241	10
WRDTA0	C 03 F2			241	20 TSL 0.5 IN.
WRDTA1	B 02 F1		S	242	10
WRDTA1	C 03 C1			242	20 TSL 2.1 IN.
WRDTA2	C 02 H1		S	243	10
WRDTA2	C 03 H1			243	20 TSL 0.5 IN.
WRDTA3	C 02 J2		S	244	10
WRDTA3	C 03 J2			244	20 TSL 0.5 IN.
WRDTA4	E 02 M1		S	245	10
WRDTA4	E 03 M1			245	20 TSL 0.5 IN.
WRDTA5	E 02 N1		S	246	10
WRDTA5	E 03 N1			246	20 TSL 0.5 IN.
WRDTA6	B 02 V2		S	247	10
WRDTA6	C 03 K1			247	20 TSL 1.4 IN.
WRDTA7	E 02 N2		S	248	10
WRDTA7	E 03 N2			248	20 TSL 0.5 IN.
WRTLRCG	C 01 K2			249	10
WRTLRCG	C 03 A1		S	249	20 TSL 1.3 IN.

The information hereon is the property of PLESSEY PERIPHERAL SYS. Transmittal receipt or possession of the information does not imply, license, or imply any rights to use, sell, or manufacture from this information and no reproduction or publication of it, in whole or in part, shall be made without written authorization from PLESSEY PERIPHERAL SYS.

SIZE CODE IDENT NO. DWG NO. WL 701895-100 SHEET 6 of 6
 B 52648 REV A SCALE

PARTS LIST		Plessey Microsystems		PREPARED BY L. Lambert	10-9-73	PARTS LIST NO. PL 701690-100	REV LTR A
BOARD ASSEMBLY PE CONTROL BOARD NO.4 PM-TC11		CHECKED BY L. Lambert	RES. ENG. L. Lambert	APPRV.	DOC. CONTROL L. Lambert	CODE IDENT NO. 52648	SH 1 OF 6
				MODEL NO. PM-TC11			

LTR	DESCRIPTION	DATE	APPROVED	LTR	DESCRIPTION	DATE	APPROVED
A	REL TO PROD E02607	10-11-73	L. Lambert				

PRODUCTION RELEASE

REV STATUS OF SHEETS	REV LTR	A	A	A	A	A	A	A	A	A	A	A	A	A	A
SHEET		1	2	3	4	5	6	7	8	9	10				

PARTS LIST		Plessey Microsystems		CODE IDENT NO. 52648	PARTS LIST NO. PL 701690-100	SH 2	REV LTR A
-------------------	--	----------------------	--	-------------------------	---------------------------------	------	--------------

REFERENCE DESIGNATION	F I N D N O.	REFERENCE DESIGNATION	F I N D N O.	REFERENCE DESIGNATION	F I N D N O.
U2, 4, 6	6	CR1, CR2, CR4	47		
U5	7	CR3	48		
U7, 17, 85	8	TBI	49		
U18, 21, 24	9				
U48, 49, 50-56, 58-66	10	U8, 11, 14	30		
U110, 13, 16, 40, 43, 46, 83	11	U81	31		
U9, 12, 15	12	U36, 89	32		
U19, 22, 25	13		33		
U20, 23, 26, 38, 41, 44	14		34		
86			35		
U27	15	C1-19, 22, 23, 24, 28, 29	36		
U28, 31, 34	16	C20, 25, 26, 27, 30	37		
U29, 32, 35	17	C21	38		
U30	18	C31-34	39		
U37, 69, 72, 75, 82	19		40		
U47	20		41		
U70, 73, 76	21	R1-4, 7, 9	42		
U67	22	R5	43		
U68	23	R6	44		
U71, 80	24	R8	45		
U74	25		46		

PARTS LIST		Plessey Microsystems		CODE IDENT NO. 52648	PARTS LIST NO. PL 701690-100	SH 3	REV LTR A
-------------------	--	----------------------	--	-------------------------	---------------------------------	------	--------------

QTY REQD	PART OR IDENTIFYING NO.	NOMENCLATURE OR DESCRIPTION	SPECIFICATION	CODE IDENT NO.	ZONE	F I N D N O.	S Y M	C/I USAGE	UNIT COST
1	701689-001	PRINTED WIRING BOARD				1			
						2			
4	701339-001	HANDLE, CARD				3			
8	MS16535-154	RIVET / TUBULAR, OVAL HD. .123 DIA X .188 LG				4			
1	701528-103	ADAPTOR ASSY				5			
3	MC8520	I.C. / DESKEW REGISTER	MOTOROLA			6			
1	SN74LS21	I.C. / DUAL 4-INPUT POSITIVE-AND-GATE	T.I.			7			
3	SN74LS109	I.C. / DUAL J-K POSITIVE EDGE TRIG F/F W PRESET & CLEAR	T.I.			8			
3	SN74LS08	I.C. / QUAD 2-INPUT POSITIVE-AND-GATES	T.I.			9			
18	SN74LS163	I.C. / SYNCHRONOUS 4-BIT COUNTERS, BINARY SYNCH CLR	T.I.			10			
7	SN74LS32	I.C. / QUAD 2-INPUT POSITIVE-OR-GATES	T.I.			11			
3	SN74LS03	I.C. / QUAD 2-INPUT POSITIVE-NAND-GATES W/OP. COLL. CKTS	T.I.			12			
3	SN74LS86	I.C. / QUAD 2-INPUT EXCLUSIVE-OR-GATES	T.I.			13			

PARTS LIST		Plessey Microsystems		CODE IDENT NO. 52648	PARTS LIST NO. PL 701690-100	SH 4	REV LTR A
-------------------	--	----------------------	--	-------------------------	---------------------------------	------	--------------

QTY REQD	PART OR IDENTIFYING NO.	NOMENCLATURE OR DESCRIPTION	SPECIFICATION	CODE IDENT NO.	ZONE	F I N D N O.	S Y M	C/I USAGE	UNIT COST
7	SN74LS02	I.C. / QUAD 2-INPUT POSITIVE-NOR-GATES	T.I.			14			
1	SN74LS279	I.C. / QUAD S-R LATCHES	T.I.			15			
3	SN74LS157	I.C. / QUAD 2-TO-1 LINE SELECTORS/MULTIPLEXERS	T.I.			16			
3	SN74LS174	I.C. / HEX D-TYPE FLIP-FLOPS	T.I.			17			
1	SN74LS10	I.C. / TRIPLE 3-INPUT POSITIVE-NAND GATES	T.I.			18			
5	SN74LS04	I.C. / HEX INVERTERS	T.I.			19			
1	SN74LS20	I.C. / DUAL 4-INPUT POSITIVE-NAND-GATES	T.I.			20			
3	SN74LS175	I.C. / QUAD D-TYPE FLIP-FLOPS	T.I.			21			
1	SN 7497	I.C. / SYNCHRONOUS 6-BIT BINARY RATE MULTIPLIERS	T.I.			22			
1	NE 555	I.C. / TIMER	SIGNETICS			23			
2	9304 PC	I.C. / ADDER	FAIRCHILD			24			
1	SN74LS30	I.C. / 8-INPUT POSITIVE-NAND-GATES	T.I.			25			
						26			

The information hereon is the property of PLESSEY PERIPHERAL SYS. Transmittal receipt or possession of the information does not imply license, or imply any rights to use, sell, or manufacture from this information and no reproduction or publication of it in whole or in part, shall be made without written authorization from PLESSEY PERIPHERAL SYS.

CODE IDENT NO. DWG NO. PL 701690-100
 SIZE B 52648
 SCALE REV A
 SHEET 1 OF 2

PARTS LIST		Plessey Microsystems		CODE IDENT NO.	PARTS LIST NO.	SH	REV				
				52648	PL701690-100	5	A				
QTY REQD	PART OR IDENTIFYING NO.	NOMENCLATURE OR DESCRIPTION	SPECIFICATION	CODE IDENT NO.	ZONE	F I N D	S Y M	C/I USAGE			
								C/I CODE	INV ON HAND	P A R	UNIT COST
1	SN74LSS1	I.C./ DUAL 2-WIDE 2-INPUT AND-OR-INVERT GATES	T.I.			27					
1	MC4024	I.C./ V.C. MULTIVIBRATOR	MOTOROLA			28					
1	MC4044	I.C./ PHASE FREQ. DETECTOR	MOTOROLA			29					
3	SN74LS11	I.C./ TRIPLE 3-INPUT POS-AND GATE	T.I.			30					
1	SN74LS159	I.C./ QUAD 2-TO-1 LINE SELECTORS/MULTIPLEXERS	T.I.			31					
2	SN74LS00	I.C./ QUAD 2-INPUT POSITIVE-NAND-GATES	T.I.			32					
						33					
						34					
						35					
24	CGA103ZDZ	CAPACITOR/.01 μ F	UNITRODE			36					
5	150D225X 9020A2	CAPACITOR/2.2 μ F, \pm 10%, 20V	SPRAGUE			37					
1	CK12BX 102K	CAPACITOR/1000pf, \pm 10%, 100V	MIL-C-11015			38					
4	150D475X 9020B2	CAPACITOR/4.7 μ F, \pm 10%, 20V	SPRAGUE			39					

PARTS LIST		Plessey Microsystems		CODE IDENT NO.	PARTS LIST NO.	SH	REV				
				52648	PL701690-100	6	A				
QTY REQD	PART OR IDENTIFYING NO.	NOMENCLATURE OR DESCRIPTION	SPECIFICATION	CODE IDENT NO.	ZONE	F I N D	S Y M	C/I USAGE			
								C/I CODE	INV ON HAND	P A R	UNIT COST
3	CSA3100 -24BW	SOCKET, 24 PIN DIP	SAE			40					
						41					
6	RC07GF102J	RESISTOR/1K, \pm 5%, 1/4W	MIL-R-11			42					
1	RC07GF202J	RESISTOR/2K, \pm 5%, 1/4W	MIL-R-11			43					
1	RC07GF912J	RESISTOR/9.1K, \pm 5%, 1/4W	MIL-R-11			44					
1	RC07GF331J	RESISTOR/330 Ω , \pm 5%, 1/4W	MIL-R-11			45					
						46					
3	1N914	DIODE	T.I.			47					
1	1N751A	DIODE, ZENER	T.I.			48					
1	US-2-14 -110-G-B	SOCKET, I.C., 14 PIN	SCANBE			49					
REF	TS701690	TEST SPECIFICATION				50					
REF	SD701690	SCHEMATIC				51					
						52					

The information hereon is the property of PLESSEY PERIPHERAL SYS. Transmittal receipt or possession of the information does not imply, license, or imply any rights to use, sell, or manufacture from this information and no reproduction or publication of it, in whole or in part, shall be made without written authorization from PLESSEY PERIPHERAL SYS.

SIZE **B** CODE IDENT NO. 52648 DWG NO. PL 701690-100
 SCALE **A** REV **A** SHEET 2 of 2

Form 000087

The information herein is the property of PLESSEY MICROSYSTEMS. Transmittal receipt or possession of the information does not constitute, license, or imply any rights to use, sell, or manufacture from this information and no reproduction or publication of it, in whole or in part, shall be made without written authorization from PLESSEY MICROSYSTEMS.

REVISIONS				
ZONE	LTR	DESCRIPTION	DATE	APPROVED
✓	A	REL TO PROD E02607	10-11-78	[Signature]

LAST REFERENCE DESIGNATION USED	
RESISTOR	R9
CAPACITOR	C34
INTEGRATED CIRCUIT	U86
DIODE	CR9

REFERENCE DESIGNATION NOT USED	
INT CIRCUIT	U1,3,33, 39,42,45,57

REF DESIG.	GATES USED PER TOTAL	PART NUMBER
U3	3/4	74LS03
U10	3/4	74LS32
U15	3/4	74LS03
U13	3/4	74LS32
U19	3/4	74LS86
U22	3/4	74LS86
J36	1/4	74LS00
U82	5/6	74LS04
U27	1/4	74LS279
U30	2/3	74LS10
U38	3/4	74LS02
U46	3/4	74LS32
U77	1/2	74LS51
U83	3/4	74LS32
U86	3/4	74LS02

SIDE 2	SIDE 1		CONNECTOR	
			A	B
	A			
	B			
	C			
	D			
	E			
	F			
	H			
	J			
	K			
	L			
	M			
	N			
	P			
	R			
	S			
	T			
	U			
	V			

SIDE 2	SIDE 1		CONNECTOR	
			C	D
+5V	A	ALL DEAD		
WRTRD TIME	B			
GND	C	ONE DEAD		
FMPE	D	BUFS		
MULTIDEAD	E	SKEW ERR		
CHANACT	F	VCOR		
	H			
	J			
BOT	K	LOCK		
	L	FMRST		
	M			
RD3	N	DEAD TRK3		
	P	DEAD TRK1		
DEAD TRK4	R			
RD1	S	RD4		
	T	GND		
PERD1	U			
	V	PERD3		

SIDE 2	SIDE 1		CONNECTOR	
			E	F
+5V	A	RD7		
-15V	B	RD2		
GND	C	PERD2		
PERD7	D	PERD6		
	E			
	F			
	H			
	J			
	K			
	L			
	M			
	N			
	P			
	R			
DEAD TRKP	S	SP1ED		
	T	GND		
DEAD TRK5	U	RDP		
	V	DEAD TRK0		

- CAPACITOR VALUES ARE MICROFARADS.
- RESISTOR VALUES ARE IN OHMS, ±5% 1/4 W.
- DESIGNATIONS SHOWN IN PARENTHESIS INDICATES WHERE SIGNAL ORIGINATES OR TERMINATES.

(2/B3)
ZJNE DESIGNATION SHEET NUMBER

- SIGNALS SHOWN IN RECTANGLES ARE I/O CONNECTIONS.



I. FOR ASSEMBLY DRAWING SEE 701690

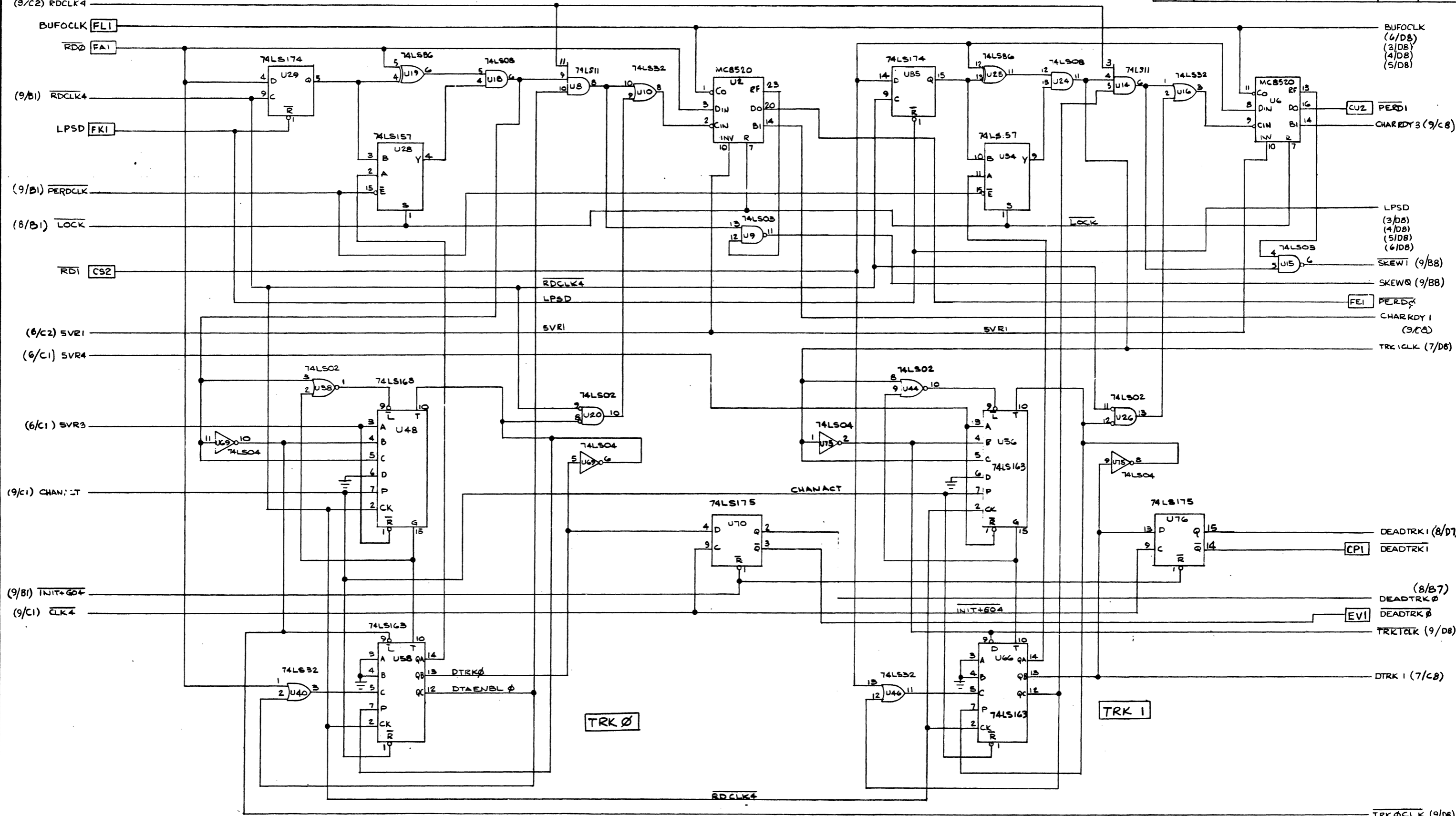
NOTES: UNLESS OTHERWISE SPECIFIED:

PRODUCTION RELEASE

PART/ASSY NO. & QTY PER ASSY		NOTE, PART OR IDENTIFYING NO.		NOMENCLATURE OR DESCRIPTION / MATERIAL		SPEC/SOURCE		CODE IDENT NO.		FIND NO.	
PART/ASSY REV LTR		DO NOT SCALE DRAWING		CONTRACT NO.		Plessey Microsystems		DRAWN		DWG TITLE	
NEXT ASSY USED ON		REMOVE ALL BURRS AND BREAK SHARP EDGES EQUIVALENT TO .030		10-9-78		SCHEMATIC DIAGRAM		CHECK		PE CONTROL BOARD #4	
APPLICATION		ROUNDSNESS OF MACHINED SURFACES 10X PER USAS BALL		ENGR		PM-TC11		PROJ. ENGR		SIZE	
		STANDARD HOLE TOLERANCE PER AND 100P		10-11-78		D 52648		SD701690		SHEET 1 OF 9	
		TOLERANCES ON .030 & .050 JOCK & .050 ANGLES & .030		PROJ. DESIGN		SCALE: ~		DISTR NO. 19a9b9c0			
		HYPERNET DIMENSIONS AND TOLERANCES PER USAS Y143		OTHER							
		DIMENSIONS ARE IN INCHES AND APPLY AFTER HEAT TREAT AND FINISH UNLESS OTHERWISE SPECIFIED		APPROVALS							

The information herein is the property of PLESSEY PERIPHERAL SYS. Transmittal receipt or possession of the information does not constitute, license, or imply any rights to use, sell, or manufacture from this information and no reproduction or publication of it, in whole or in part, shall be made without written authorization from PLESSEY PERIPHERAL SYS.

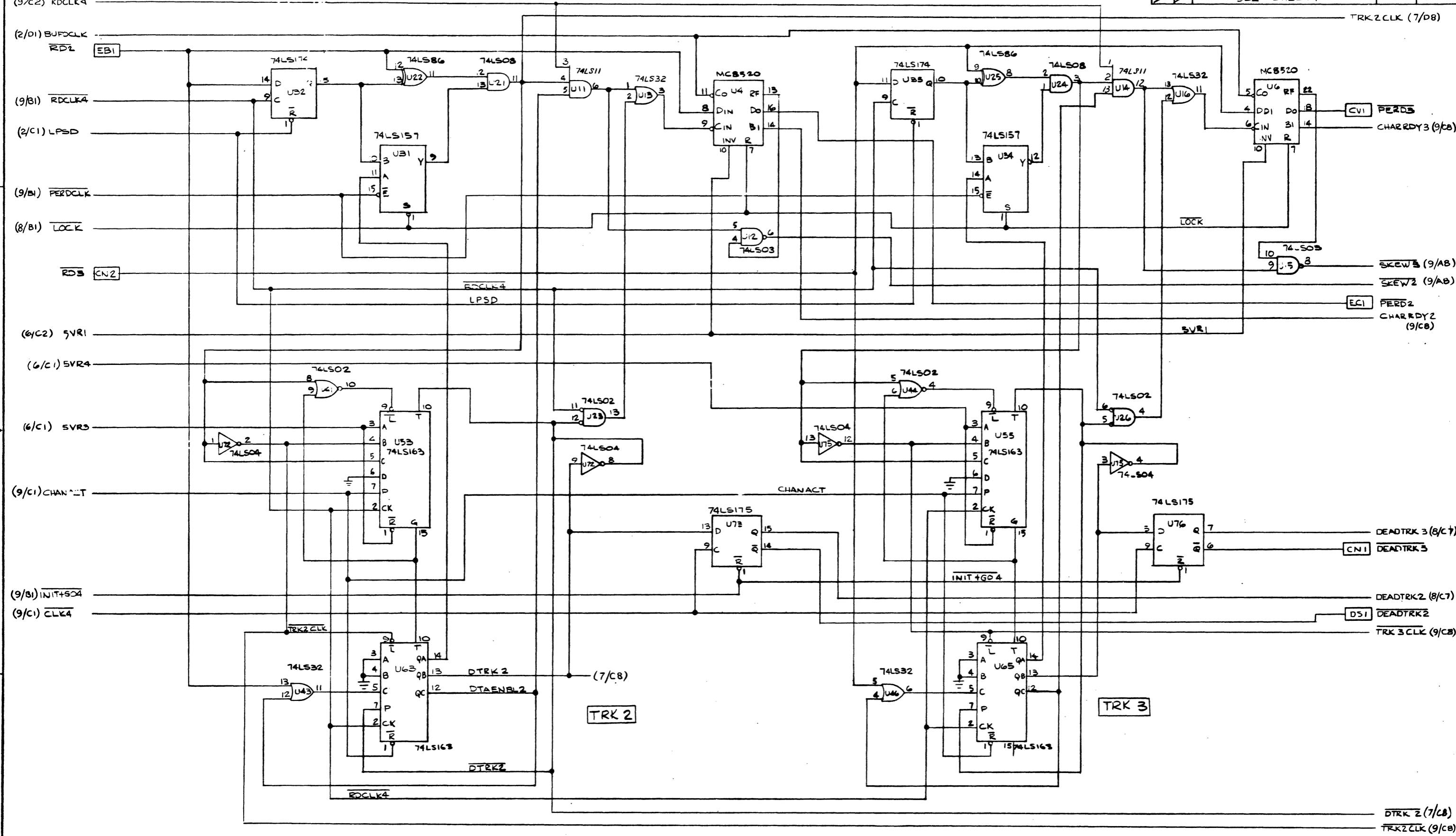
ZONE		REVISIONS		DATE	APPROVED
LTR	DESCRIPTION				
/	SEE SHEET 1				



SIZE	CODE IDENT NO.	DWG NO.
D	52648	SD 701690
SCALE: -	A	SHEET 2 OF 9
		DISTR NO.

The information herein is the property of PLS-11 PERIPHERAL SYS
 Transmittal receipt of possession of the information does not comply
 license or imply any rights to use, sell, or manufacture from this infor-
 mation and no reproduction or publication of it in whole or in part, shall
 be made without written authorization from PLS-11 PERIPHERAL SYS

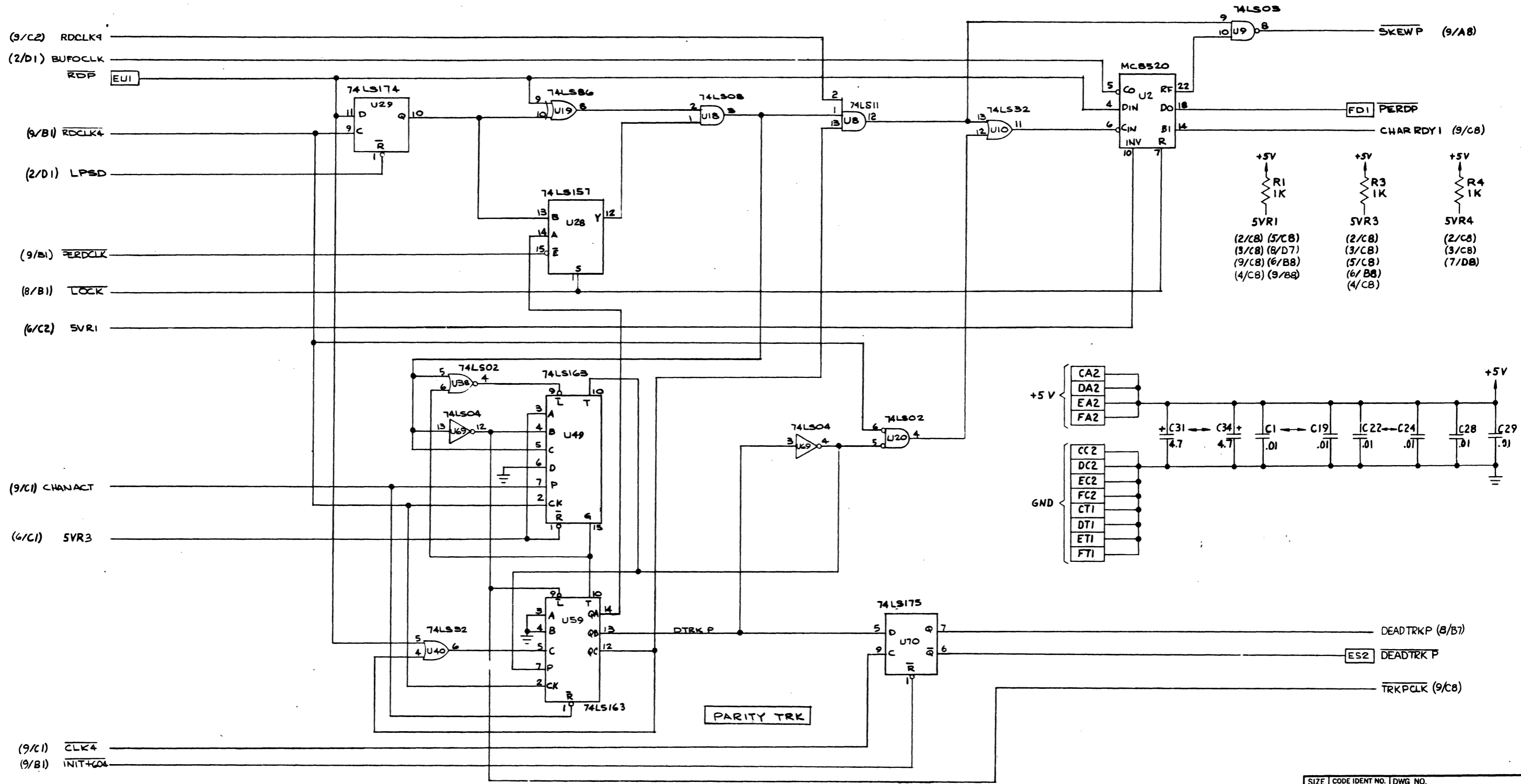
REVISIONS				
ZONE	LTR	DESCRIPTION	DATE	APPROVED
		SEE SHEET 1		



SIZE	CODE IDENT NO.	DWG NO.
D	52648	SD 701690
SCALE: -	A	SHEET 3 OF 9
DISTR NO.		

The information herein is the property of PLESSEY PERIPHERAL SYS.
 Transmittal receipt or possession of the information does not comply
 license or imply any rights to use, sell, or manufacture from this infor-
 mation and no reproduction or publication of it, in whole or in part, shall
 be made without written authorization from PLESSEY PERIPHERAL SYS.

REVISIONS				
ZONE	LTR	DESCRIPTION	DATE	APPROVED
		SEE SHT 1		



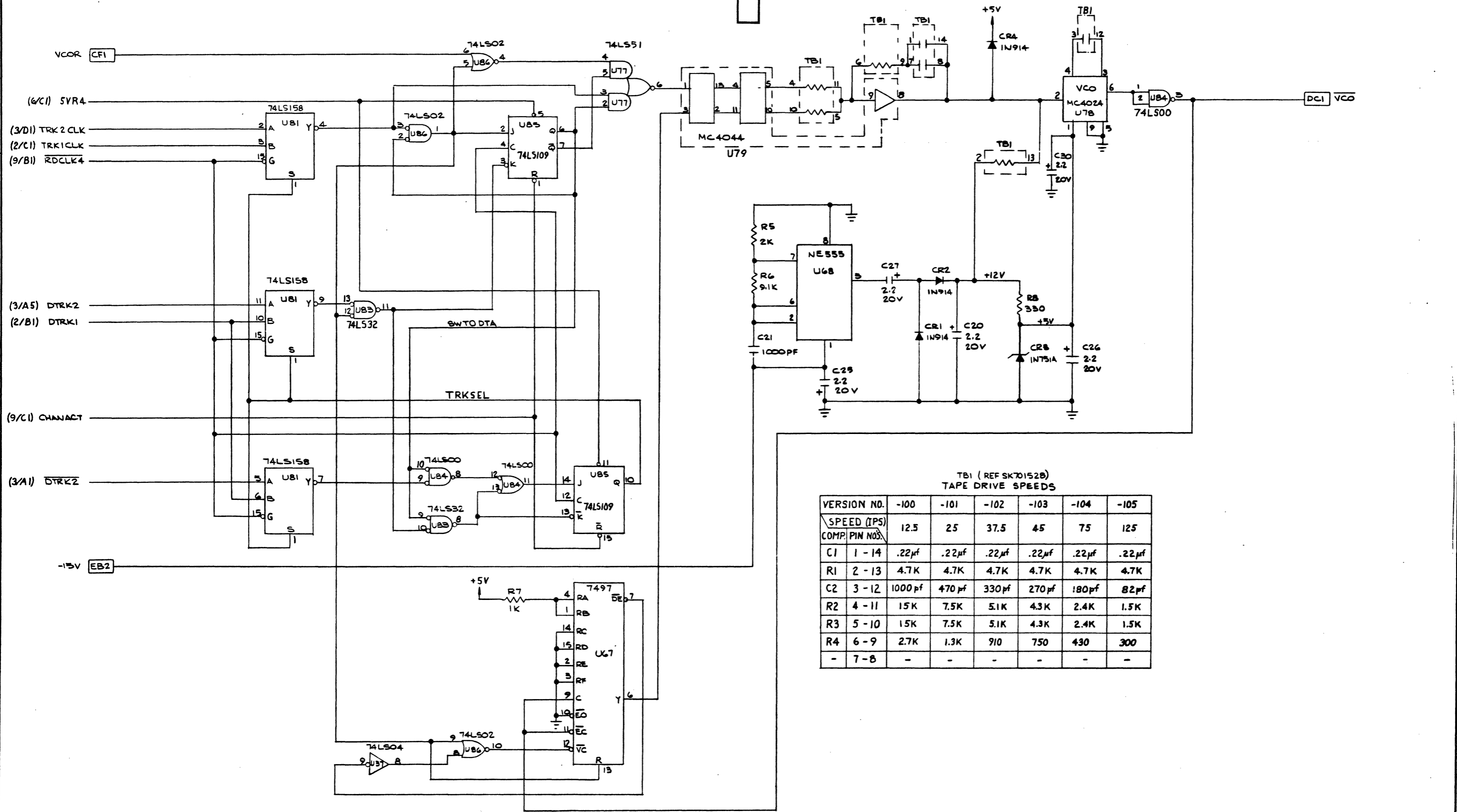
SIZE	CODE IDENT NO.	DWG NO.
D	52648	SD701690
SCALE: -	A	SHEET 6 OF 9
		DISTR NO.

SD701690

A

The information herein is the property of PLESSEY PERIPHERAL SYS. Transmittal receipt or possession of the information does not imply, license or any rights to use, sell, or manufacture from this information and no reproduction or publication of it, in whole or in part, shall be made without written authorization from PLESSEY PERIPHERAL SYS.

REVISIONS				
ZONE	LTR	DESCRIPTION	DATE	APPROVED
		SEE SHT 1		



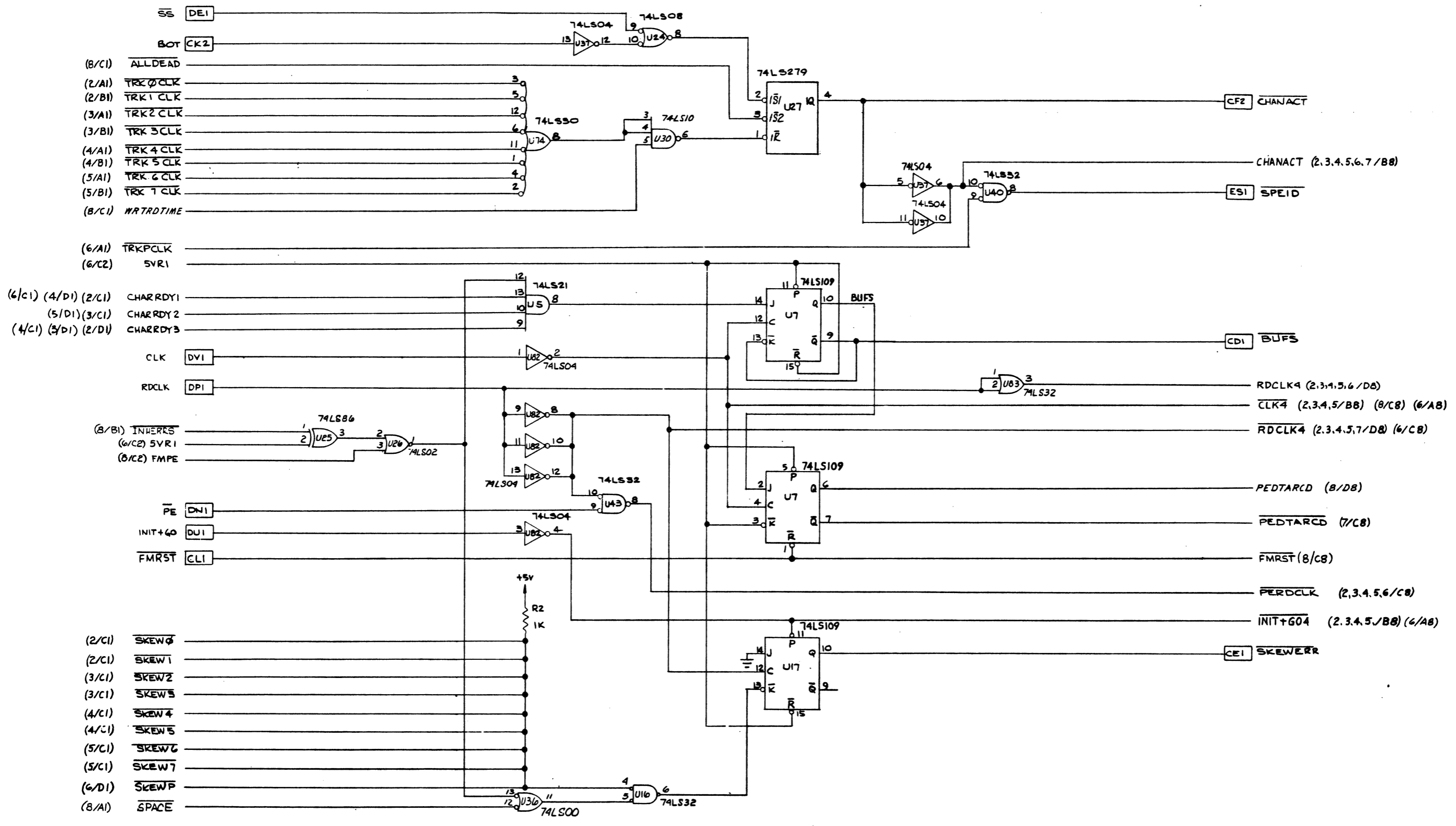
TB1 (REF SK70152B)
TAPE DRIVE SPEEDS

VERSION NO.	-100	-101	-102	-103	-104	-105
SPEED (IPS)	12.5	25	37.5	45	75	125
COMP. PIN NOS.						
C1	1 - 14	.22µf	.22µf	.22µf	.22µf	.22µf
R1	2 - 13	4.7K	4.7K	4.7K	4.7K	4.7K
C2	3 - 12	1000 pf	470 pf	330 pf	270 pf	180 pf
R2	4 - 11	15K	7.5K	5.1K	4.3K	2.4K
R3	5 - 10	15K	7.5K	5.1K	4.3K	2.4K
R4	6 - 9	2.7K	1.3K	910	750	430
-	7 - 8	-	-	-	-	-

SIZE	CODE IDENT NO.	DWG NO.
D	52648	SD 701690
SCALE: -	A	SHEET 7 OF 9
		DISTR NO.

The information herein is the property of PLESSEY PERIPHERAL SYS. Transmittal receipt or possession of the information does not imply license or imply any rights to use, sell, or manufacture from this information and no reproduction or publication of it, in whole or in part, shall be made without written authorization from PLESSEY PERIPHERAL SYS.

REVISIONS			
ZONE	LTR	DESCRIPTION	DATE
		SEE SHEET 1	



SIZE	CODE IDENT NO.	DWG NO.
D	52648	SD701690
SCALE: -	A	SHEET 9 OF 9
		DISTR NO.

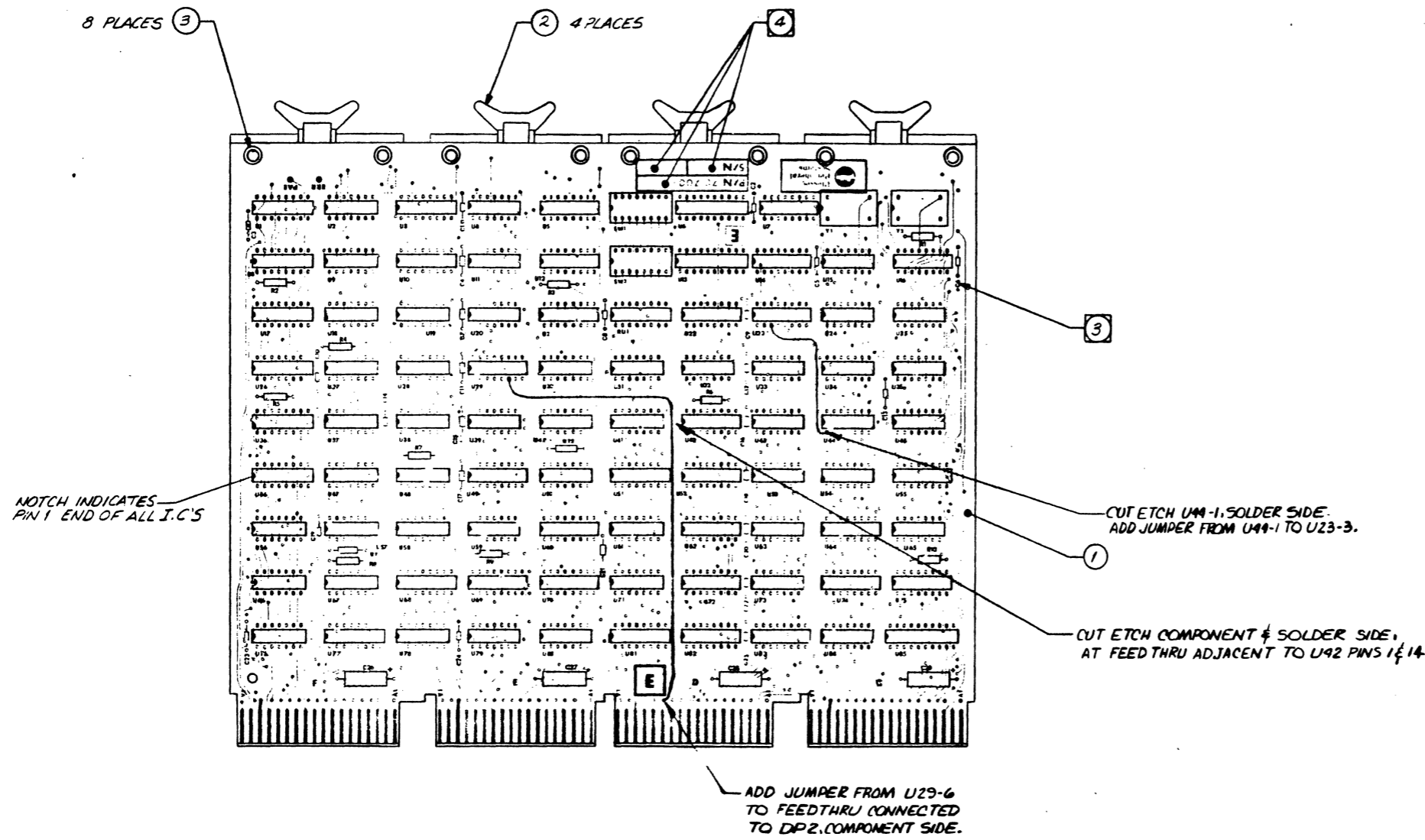
BISHOP GRAPHICS/ACCUPRESS
ORDER NO. A 1216

SD701690

The information herein is the property of PLESSEY PERIPHERAL SYS
 Transmittal receipt or possession of the information does not constitute
 license, or imply any rights to use, sell, or manufacture from this infor-
 mation and no reproduction or publication of it, in whole or in part, shall
 be made without written authorization from PLESSEY PERIPHERAL SYS.

REVISIONS				
ZONE	LTR	DESCRIPTION	DATE	APPROVED
	D	REVISED & REDEAWN PER EO 3078	1-79	[Signature]
	E	INCRP EO 3409	12-6-79	[Signature]

701700



PRODUCTION RELEASE

PART/ASSY NO. & QTY PER ASSY		PARTS LIST		CONTRACT NO.	DWG TITLE BOARD ASSEMBLY FORMAT CONTROL BOARD NO.1 PM-T-11	SIZE D 52648	CODE IDENT NO. 701700	DWG NO.
100	FINAL	PM-T-11						
	NEXT ASSY	USED ON						
APPLICATION				OTHER APPROVALS		SCALE: 1/1		SHEET 1 OF 1

- ④ MARK ASSEMBLY VERSION NUMBER, LATEST REV LTR, AND SERIAL NUMBER WITH .12 HIGH CHARACTERS USING BLACK INK PER MIL-M-13231, GROUP III. LOCATE APPROX AS SHOWN
- ③ COMPONENT DESIGNATIONS ARE FOR REFERENCE ONLY AND DO NOT APPEAR ON PART.
- 2. FOR SCHEMATIC DIAGRAM SEE S0701700.
- 1. ASSEMBLE AND INSPECT PER WORKMANSHIP STANDARDS MANUAL.

NOTES: UNLESS OTHERWISE SPECIFIED

PARTS LIST	Plessey Microsystems	PREPARED BY <i>R. RHYTTINEN</i>	10-9-78	PARTS LIST NO. PL 701700-100	REV LTR A
BOARD ASSEMBLY FORMAT CONTROL BOARD NO.1		CHECKED BY <i>L. Tunkis</i>	10-11-78	CODE IDENT NO. 52648	SH 1 OF 6
		DESIGNED BY <i>L. Dovsky</i>	10-11-78	MODEL NO. PM-TC11	
		APPROVED BY <i>[Signature]</i>	10-11-78		

LTR	DESCRIPTION	DATE	APPROVED	LTR	DESCRIPTION	DATE	APPROVED
A	REL TO PROD E02607	10-11-78	<i>[Signature]</i>				

PRODUCTION RELEASE

REV STATUS OF SHEETS	REV LTR	A	A	A	A	A	A						
	SHEET	1	2	3	4	5	6	7	8	9	10		

PARTS LIST	Plessey Microsystems	CODE IDENT NO. 52648	PARTS LIST NO. PL 701700-100	SH 2	REV LTR A
-------------------	-----------------------------	-------------------------	---------------------------------	------	--------------

REFERENCE DESIGNATION	F I N O.	REFERENCE DESIGNATION	F I N O.	REFERENCE DESIGNATION	F I N O.	REFERENCE DESIGNATION	F I N O.
U1, 8	14	U62, 72, 75	37				
U2, 33, 26	15	U64,	38				
U3, 5, 10, 12, 21, 42, 51, 81, 83	16	U65, 78	39				
U4, 18, 61	17	U77	41				
U6, 13	18	U85	42				
U9, 24, 31, 32, 18, 57, 63, 80, 89	19	SW1, 2	43				
U11, 43, 45, 56, 59	20	Y1	45				
U19, 23	21		46				
U15, 73	22	RU1	47				
U16	23	R1, 2, 3, 5, 6, 9, 10	48				
U13, 35, 58	24	R4, 7, 8, 11, 12	49				
U20, 25, 39	25		50				
U22,	26	C26, 27, 28, 29	51				
U27, 40, 76	27	C1 THRU C25	52				
U28	28	UB2	8				
U29, 36, 46, 55, 69	29	US2	9				
U30, 38, 41, 53, 54, 66, 71, 79	30						
U34	31						
U37, 67	32						
U41, 47	33						
U43, 68, 74	34						
	35						
U60, 7	36						

PARTS LIST	Plessey Microsystems	CODE IDENT NO. 52648	PARTS LIST NO. PL 701700-100	SH 3	REV LTR A
-------------------	-----------------------------	-------------------------	---------------------------------	------	--------------

QTY REQD	PART OR IDENTIFYING NO.	NOMENCLATURE OR DESCRIPTION	SPECIFICATION	CODE IDENT NO.	ZONE	F I N O.	S Y M	C/I USAGE
1	701699-001	PRINTED WIRING BOARD FORMAT CONTROL BOARD NO.1 PM-TC11				1		
4	701339-001	HANDLE, CARD				2		
8	MS16535-154	RIVET/TUBULAR, OVAL HD. .123 DIA. X .188 LG				3		
						4		
						5		
						6		
						7		
1	100128-101	I.C./ BIPOLAR PROM 32x8 825123 ROM-B(MSB)				8		
1	100128-100	I.C./ BIPOLAR PROM 32x8 825123 ROM-A(LSB)				9		
						10		
						11		
						12		
						13		

PARTS LIST	Plessey Microsystems	CODE IDENT NO. 52648	PARTS LIST NO. PL 701700-100	SH 4	REV LTR A
-------------------	-----------------------------	-------------------------	---------------------------------	------	--------------

QTY REQD	PART OR IDENTIFYING NO.	NOMENCLATURE OR DESCRIPTION	SPECIFICATION	CODE IDENT NO.	ZONE	F I N O.	S Y M	C/I USAGE
2	SN74LS191N	I.C./ SYN UP/DOWN COUNTERS WITH DOWN/UP MODE CONTROL	T. I.			14		
3	SN74LS74AM	I.C./ DUAL D-TYPE POS EDGE-TRIG F/F W/PRESET/CLEAR				15		
9	SN74LS163AN	I.C./ SYNCHRONOUS 4-BIT COUNTERS				16		
3	SN74LS10N	I.C./ TRIPLE 3-INPUT POS-NAND GATE				17		
2	SN74LS244N	I.C./ OCTAL BUFFER				18		
3	SN74LS04N	I.C./ HEX INVERTERS				19		
5	SN74LS08N	I.C./ QUAD 2-INPUT POS AND GATES				20		
2	SN74LS390N	I.C./ DUAL 4-BIT DECADE AND BINARY COUNTERS				21		
2	SN74LS51N	I.C./ DUAL 2-WIDE 2-INPUT AND-OR-INVERT GATES				22		
1	SN74LS112	I.C./ DUAL J-K NEG-EDGE-TRIG F/F W/PRESET AND CLEAR				23		
3	SN74LS02N	I.C./ QUAD 2-INPUT POS-NOR GATES				24		
3	SN74LS32N	I.C./ QUAD 2-INPUT POS-OR GATES				25		
1	SN74LS157N	I.C./ QUAD 2 LINE TO 1 LINE DATA SELECTORS/MULTIPLEXERS	T. I.			26		

The information hereon is the property of PLESSEY PERIPHERAL SYS. Transmittal receipt or possession of the information does not comply license, or imply any rights to use, sell, or manufacture from this information and no reproduction or publication of it, in whole or in part, shall be made without written authorization from PLESSEY PERIPHERAL SYS.

SIZE **B** CODE IDENT NO. **52648** DWG NO. **PL 701700-100** SHEET **1** of **2**
 SCALE **A** REV **A**

Form 000087

PARTS LIST		Plessey Microsystems		CODE IDENT NO.	PARTS LIST NO.	SH	REV					
				52648	PL 701700-100	5	A					
QTY REQD	PART OR IDENTIFYING NO.	NOMENCLATURE OR DESCRIPTION	SPECIFICATION	CODE IDENT NO.	ZONE	FINO	SYN	C/I USAGE				
								C/I CODE	INV ON HAND	P A R	UNIT COST	
3	SN74LS20N	I.C./ DUAL 4-INPUT POS-NAND GATES	T.I.			27						
1	SN74LS86N	I.C./ QUAD 2-INPUT EXCLUSIVE-OR GATES	↑			28						
5	SN74LS109AN	I.C./ DUAL J-K POS-EDGE TRIG. F/F W/PRESET AND CLEAR	↑			29						
8	SN74LS00N	I.C./ QUAD 2-INPUT POS-NAND GATES	↑			30						
1	SN74LS37N	I.C./ QUAD 2-INPUT POS-NAND BUFFERS	↑			31						
2	SN74LS260N	I.C./ DUAL 5-INPUT POS-NOR GATES	↓			32						
2	SN74LS11N	I.C./ TRIPLE 3-INPUT POS-AND GATES	↓			33						
3	SN74LS161AN	I.C./ SYNCHRONOUS 4-BIT COUNTERS	T.I.			34						
						35						
2	SN74LS174N	I.C./ HEX/QUAD D-TYPE F/F W/CLEAR	T.I.			36						
3	SN74LS151N	I.C./ DATA SELECTORS/MULTIPLXERS	↑			37						
1	SN74LS138N	I.C./ DECODER/DEMULTIPLXERS	↓			38						
2	SN74LS27N	I.C./ TRIPLE 3-INPUT POS-NOR GATES	T.I.			39						

PARTS LIST		Plessey Microsystems		CODE IDENT NO.	PARTS LIST NO.	SH	REV					
				52648	PL 701700-100	6	A					
QTY REQD	PART OR IDENTIFYING NO.	NOMENCLATURE OR DESCRIPTION	SPECIFICATION	CODE IDENT NO.	ZONE	FINO	SYN	C/I USAGE				
								C/I CODE	INV ON HAND	P A R	UNIT COST	
1	SN74LS139N	I.C./ DECODER/DEMULTIPLXERS	T.I.			40						
1	SN74376N	I.C./ QUAD J-K FLIP-FLOPS	T.I.			41						
1	SN74LS273N	I.C./ OCTAL D-TYPE FLIP-FLOP W/CLEAR	T.I.			42						
2	76RSB088	SWITCH/DIP, 8 POS	GRAYHILL			43						
1	MXO-40-2 7.2 MHZ	CRYSTAL/ 7.2 MHZ	CTS			44						
1	MXO-40-2 5.0 MHZ	CRYSTAL/ 5.0 MHZ	CTS			45						
						46						
1	898-1-R4.7K	RESISTOR/ DIP, 4.7K	BECKMAN			47						
7	RC076F102J	RESISTOR/ 1K, ±5%, 1/4W	MIL-R-11			48						
5	RC076F472V	RESISTOR/ 4.7K, ±5%, 1/4W	MIL-R-11			49						
						50						
4	150D475 X 0020B2	CAPACITOR/ 4.7 μF, 20V	SPRAGUE			51						
25	CGA1037DZ	CAPACITOR/ .01 μF	UNITRODE			52						

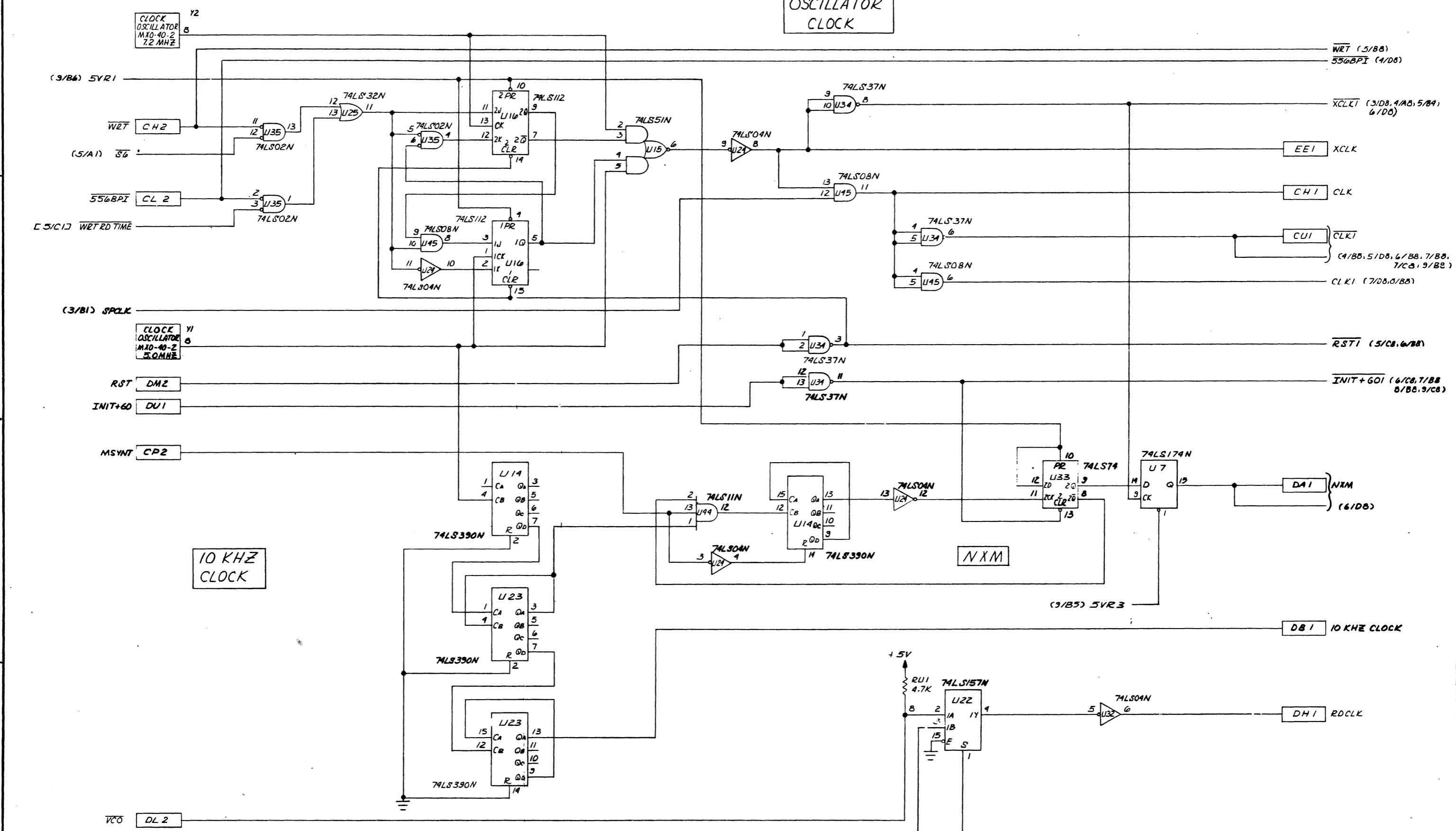
The information hereon is the property of PLESSEY PERIPHERAL SYS. Transmittal receipt or possession of the information does not imply license, or imply any rights to use, sell, or manufacture from this information and no reproduction or publication of it in whole or in part, shall be made without written authorization from PLESSEY PERIPHERAL SYS.

SIZE **B** CODE IDENT NO. **52648** DWG NO. **PL 701700-100**
 SCALE REV **A** SHEET **2 of 2**

The information herein is the property of PLESSEY MICROSYSTEMS. Transmittal hereof or possession of the information does not constitute, license, or imply any rights to use, sell, or manufacture from this information and no reproduction or publication of it, in whole or in part, shall be made without written authorization from PLESSEY MICROSYSTEMS.

REVISIONS				
ZONE	LTR	DESCRIPTION	DATE	APPROVED
		SEE SHEET 1		

OSCILLATOR
CLOCK



(3/B6) 5V21

(5/A1) 56

556BPI CL 2

(5/C1) WRT RD TIME

(3/B1) SPCLK

CLOCK
OSCILLATOR
M10-40-2
5.0MHZ

RST DM2

INIT+60 DU1

MSYNT CP2

10 KHZ
CLOCK

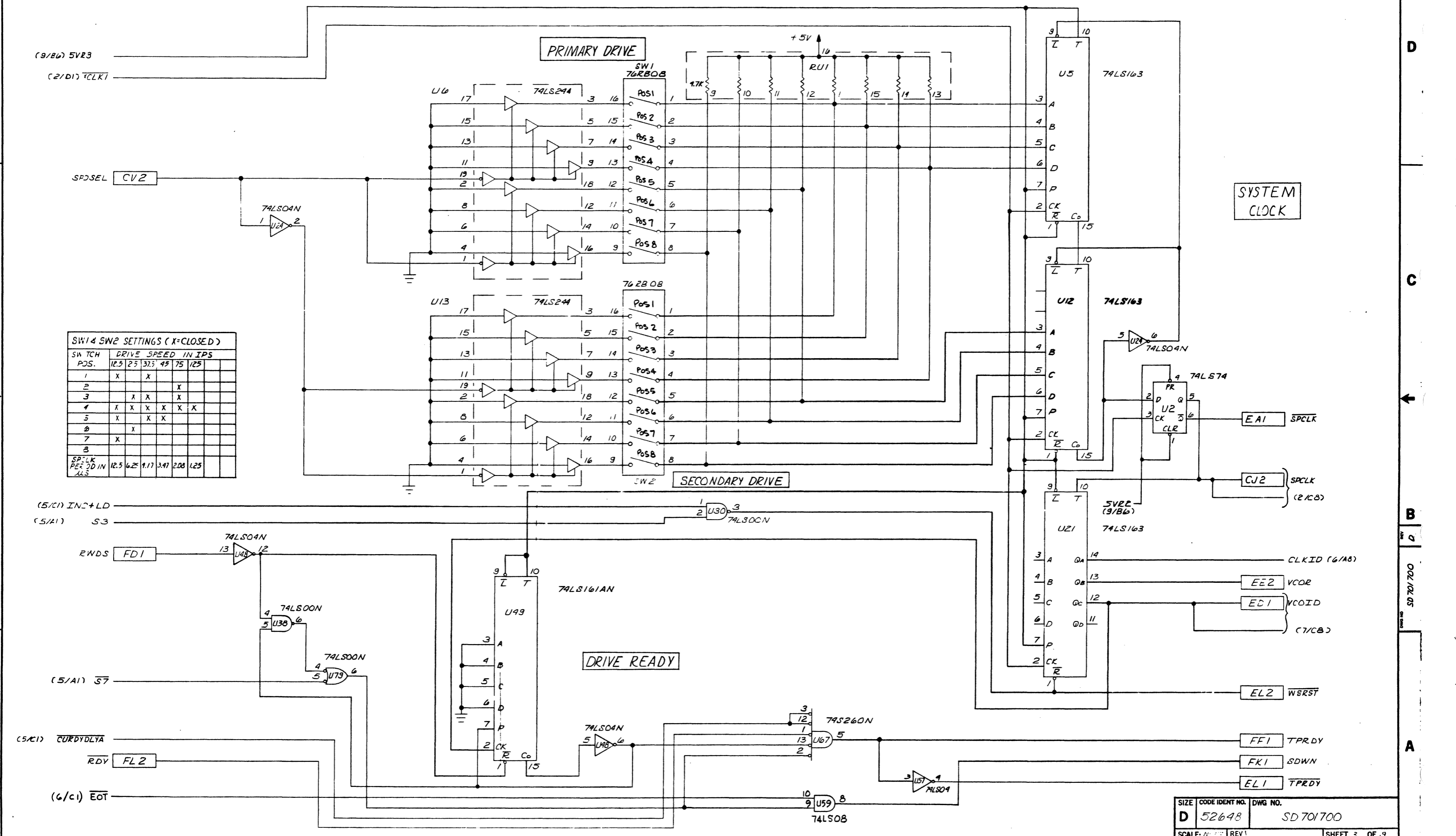
VCC DL 2

(6/C1) RDS
(6/B1) PE

SIZE	CODE IDENT NO.	DWG NO.
D	52648	SD 701700
SCALE: NONE	REV D	SHEET 2 OF 3
		DISTR NO.

The information herein is the property of PLESSEY MICROSYSTEMS. Transfer, receipt or possession of the information does not comply, license, or imply any rights to use, sell, or manufacture from this information and no reproduction or publication of it, in whole or in part, shall be made without written authorization from PLESSEY MICROSYSTEMS.

REVISIONS				
ZONE	LTR	DESCRIPTION	DATE	APPROVED
		SEE SHEET 1		



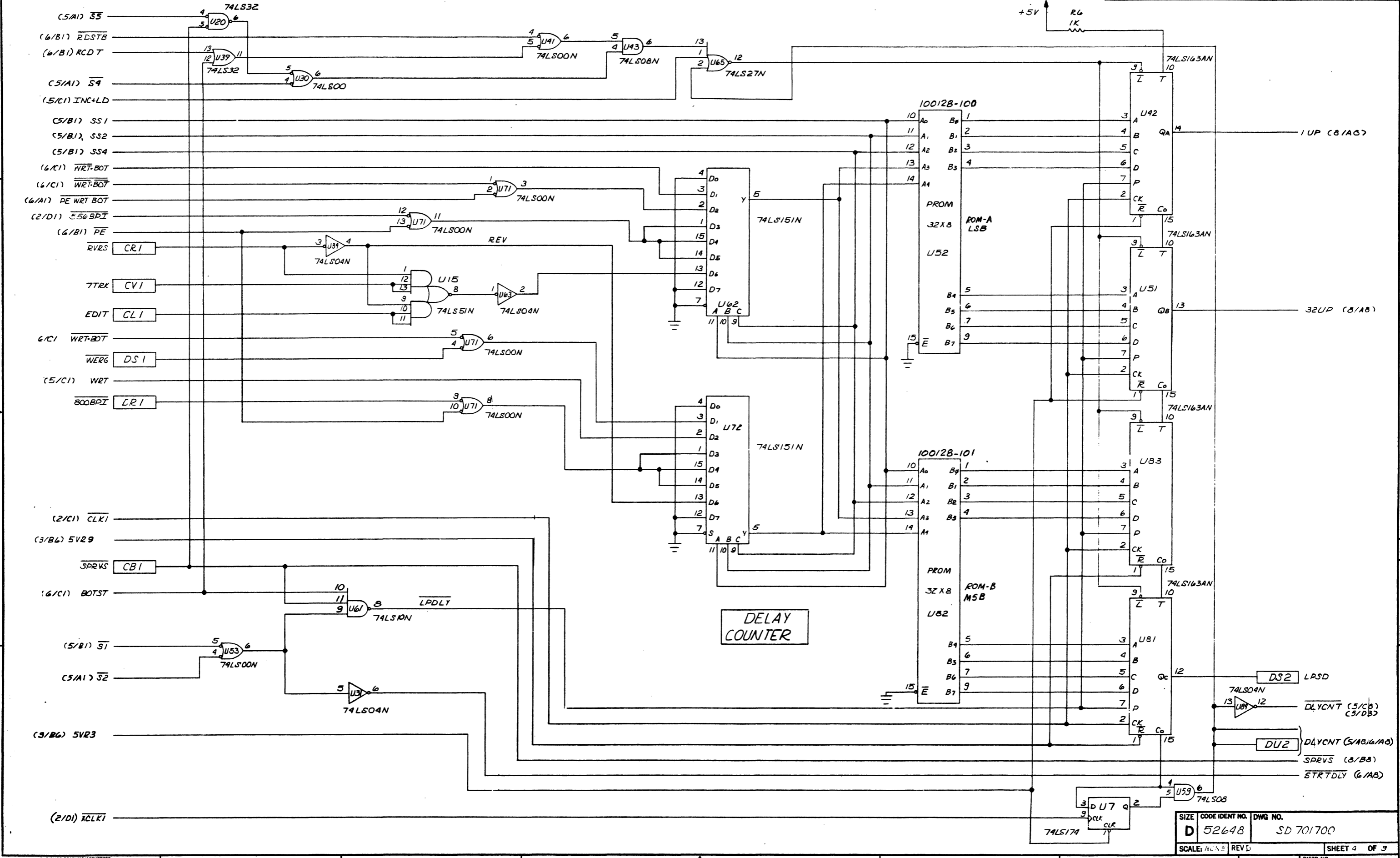
SW1 & SW2 SETTINGS (X=CLOSED)

SW TCH POS.	12.5	25	37.5	45	75	125
1	X	X				
2				X		
3		X	X	X	X	
4	X	X	X	X	X	X
5	X		X	X		
6		X				
7	X					
8						
SPJLK PEE 3D IN ALS	12.5	6.25	9.17	3.47	2.08	1.25

SIZE	CODE IDENT NO.	DWG NO.
D	52648	SD 701700
SCALE: N/A	REV!	SHEET 3 OF 3

The information herein is the property of PLESSEY MICROSYSTEMS. Transmittal hereof or possession of the information does not comply, license, or imp. any rights to use, sell, or manufacture from this information and no reproduction or publication of it, in whole or in part, shall be made without written authorization from PLESSEY MICROSYSTEMS.

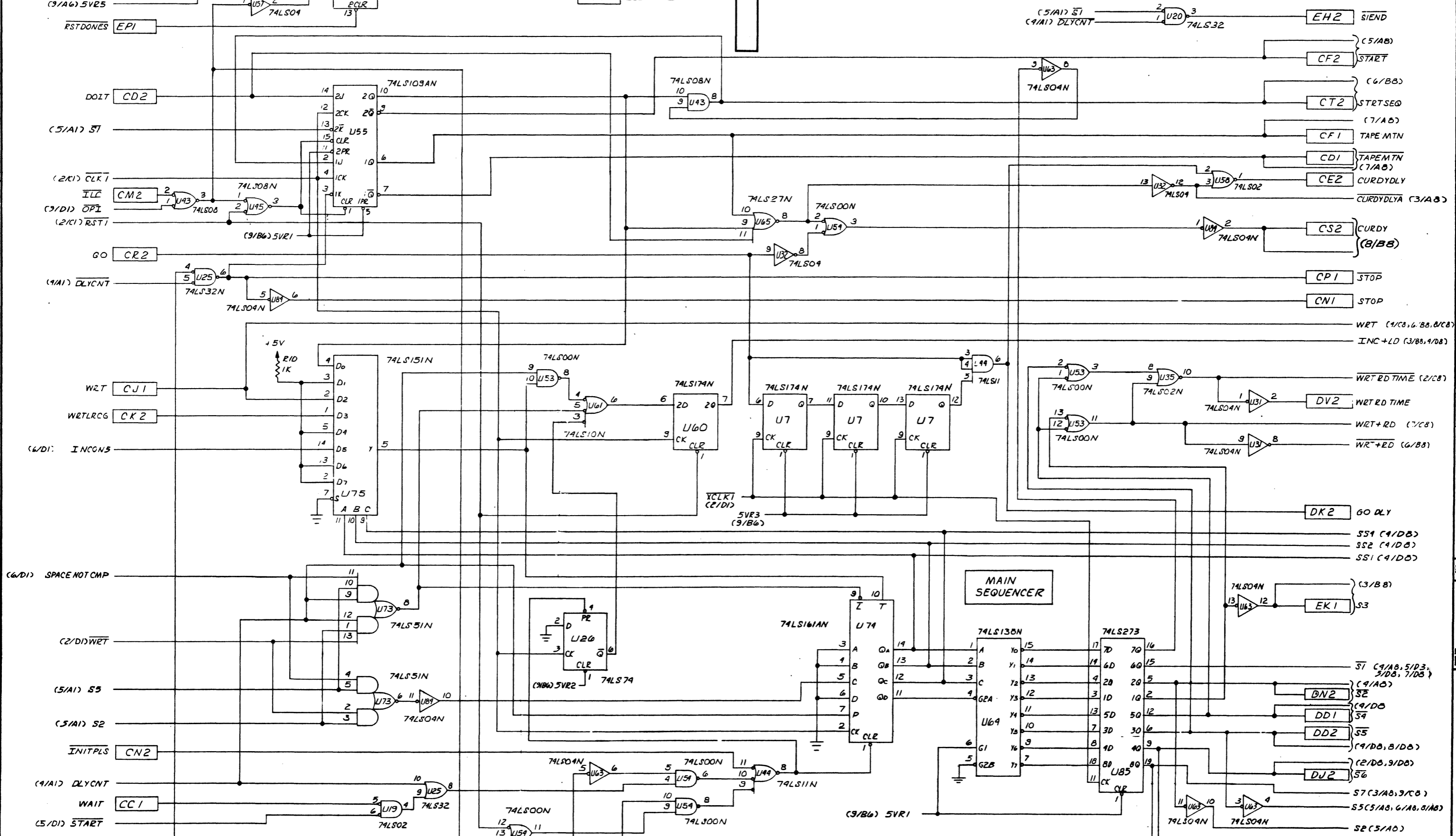
REVISIONS				
ZONE	LTR	DESCRIPTION	DATE	APPROVED
		SEE SHEET 1		



SIZE	CODE IDENT NO.	DWG NO.
D	52648	SD 701700
SCALE: N/A	REV D	SHEET 4 OF 9
		DISTR NO.

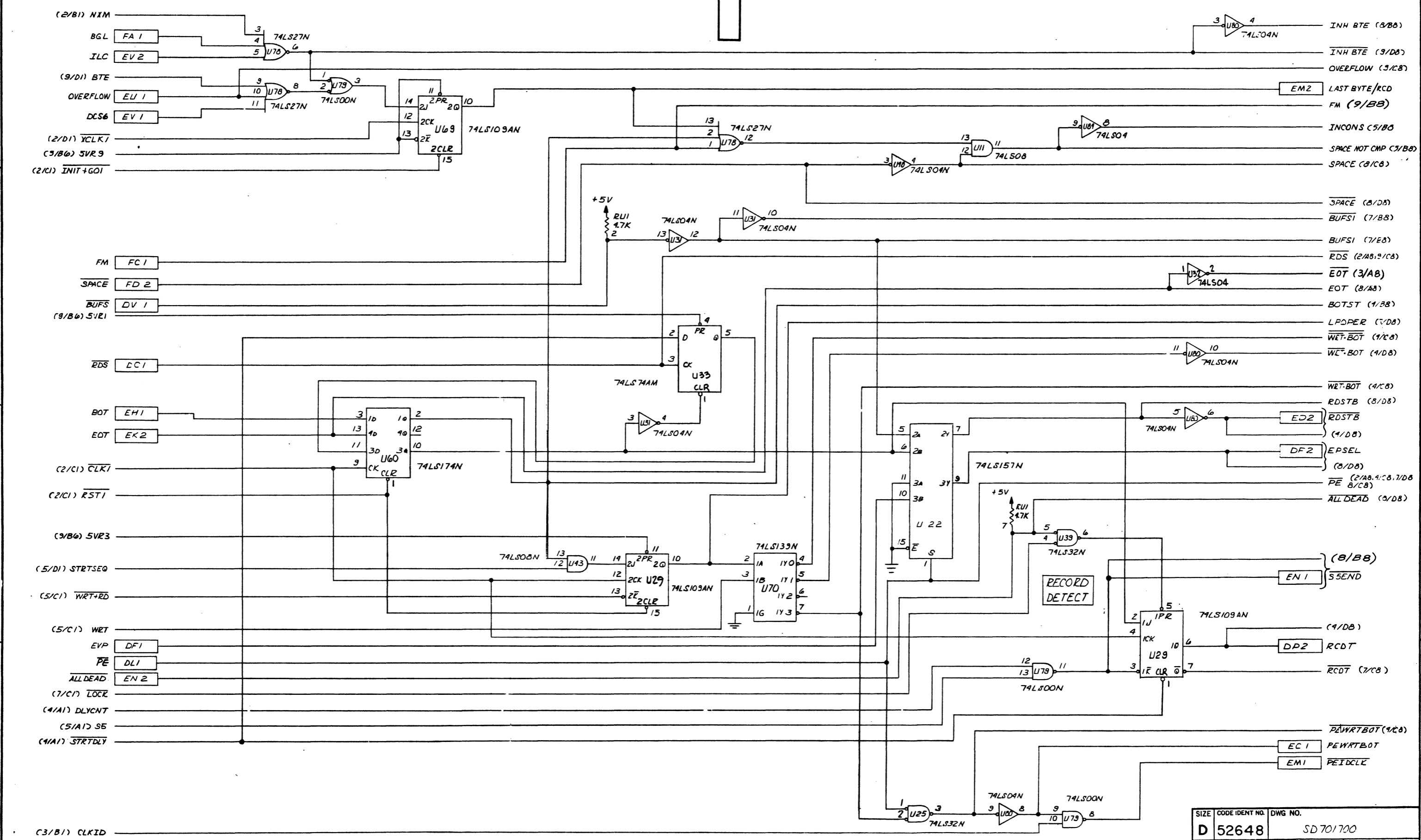
The information herein is the property of PLESSEY PERIPHERAL SYS. Transmittal, receipt or possession of this information does not imply any rights to use, sell, or manufacture from this information without the express written authorization of PLESSEY PERIPHERAL SYS.

REVISIONS				
ZONE	LTR	DESCRIPTION	DATE	APPROVED
		SEE SHEET 1		



The information hereon is the property of PLESSEY PERIPHERAL SYS. Transmittal receipt or possession of the information does not constitute license or imply any rights to use, sell, or manufacture from this information and no reproduction or publication of it, in whole or in part, shall be made without written authorization from PLESSEY PERIPHERAL SYS.

REVISIONS				
ZONE	LTR	DESCRIPTION	DATE	APPROVED
		SEE SHEET 1		

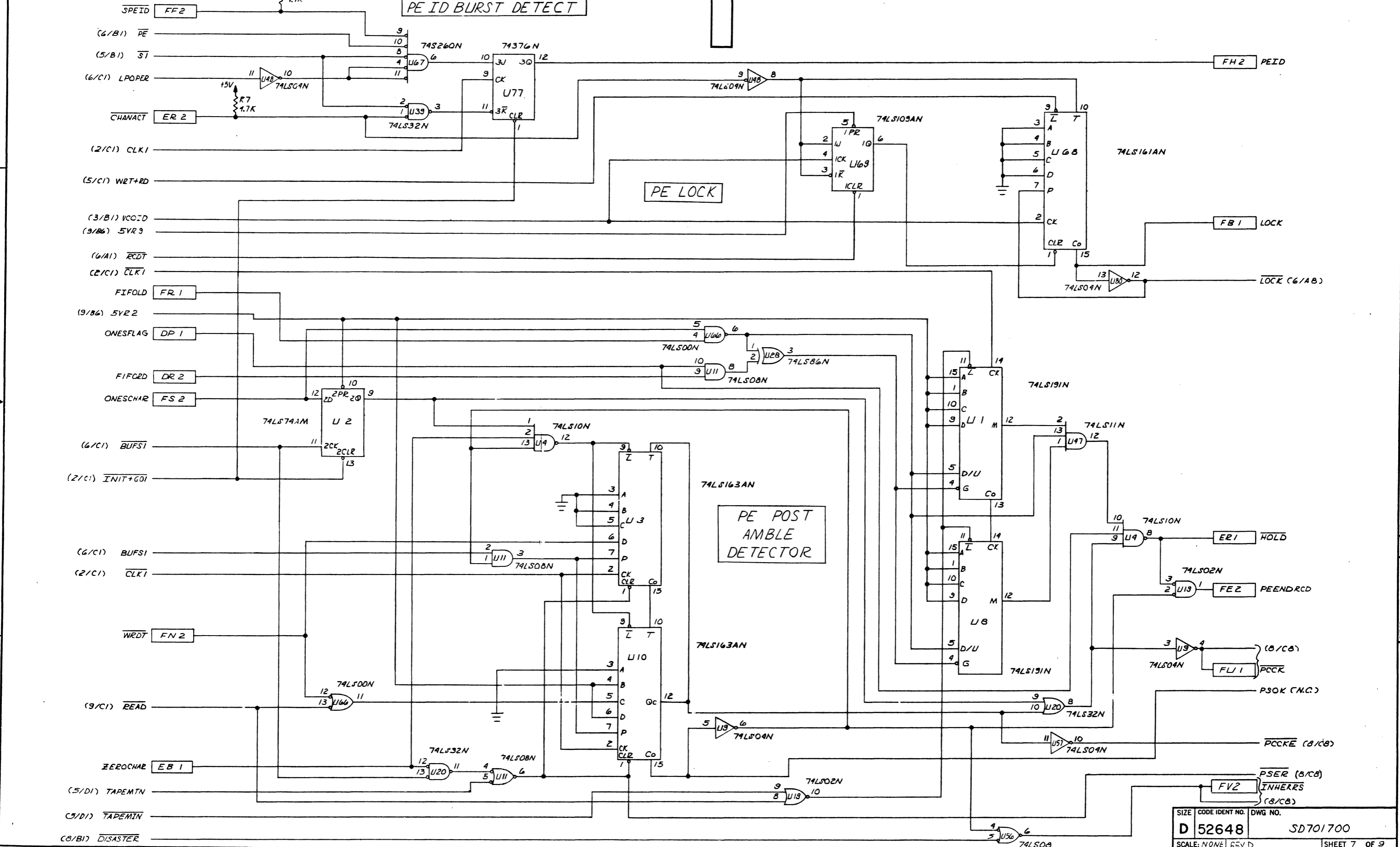


- (2/B1) NXIM
- BGL FA 1
- ILC EV 2
- (9/D1) BTE
- OVERFLOW EU 1
- DCS6 EV 1
- (2/D1) XCLK1
- (3/B6) SVR 9
- (2/C1) INIT+GO1
- FM FC 1
- SPACE FD 2
- BUFS DV 1
- (9/B6) SVR1
- BDS DC 1
- BOT EH 1
- EOT EK 2
- (2/C1) CLK1
- (2/C1) RST1
- (3/B6) SVR3
- (5/D1) STRTSEQ
- (5/C1) WRT+RD
- (5/C1) WRT
- EVP DF 1
- PE DL 1
- ALLDEAD EN 2
- (7/C1) LOCK
- (4/A1) DLYCNT
- (5/A1) S5
- (4/A1) STRTDLY
- (3/B1) CLKID

SIZE	CODE IDENT NO.	DWG NO.
D	52648	SD 701700
SCALE: 1:1	ESY D	SHEET 6 OF 9
DISTR NO.		

The information herein is the property of PLESSEY PERIPHERAL SYS. Transmittal hereof or possession of the information does not constitute, license, or imply any rights to use, sell, or manufacture from this information and no reproduction or publication of it, in whole or in part, shall be made without written authorization from PLESSEY PERIPHERAL SYS.

REVISIONS				
ZONE	LTR	DESCRIPTION	DATE	APPROVED
		SEE SHEET 1		

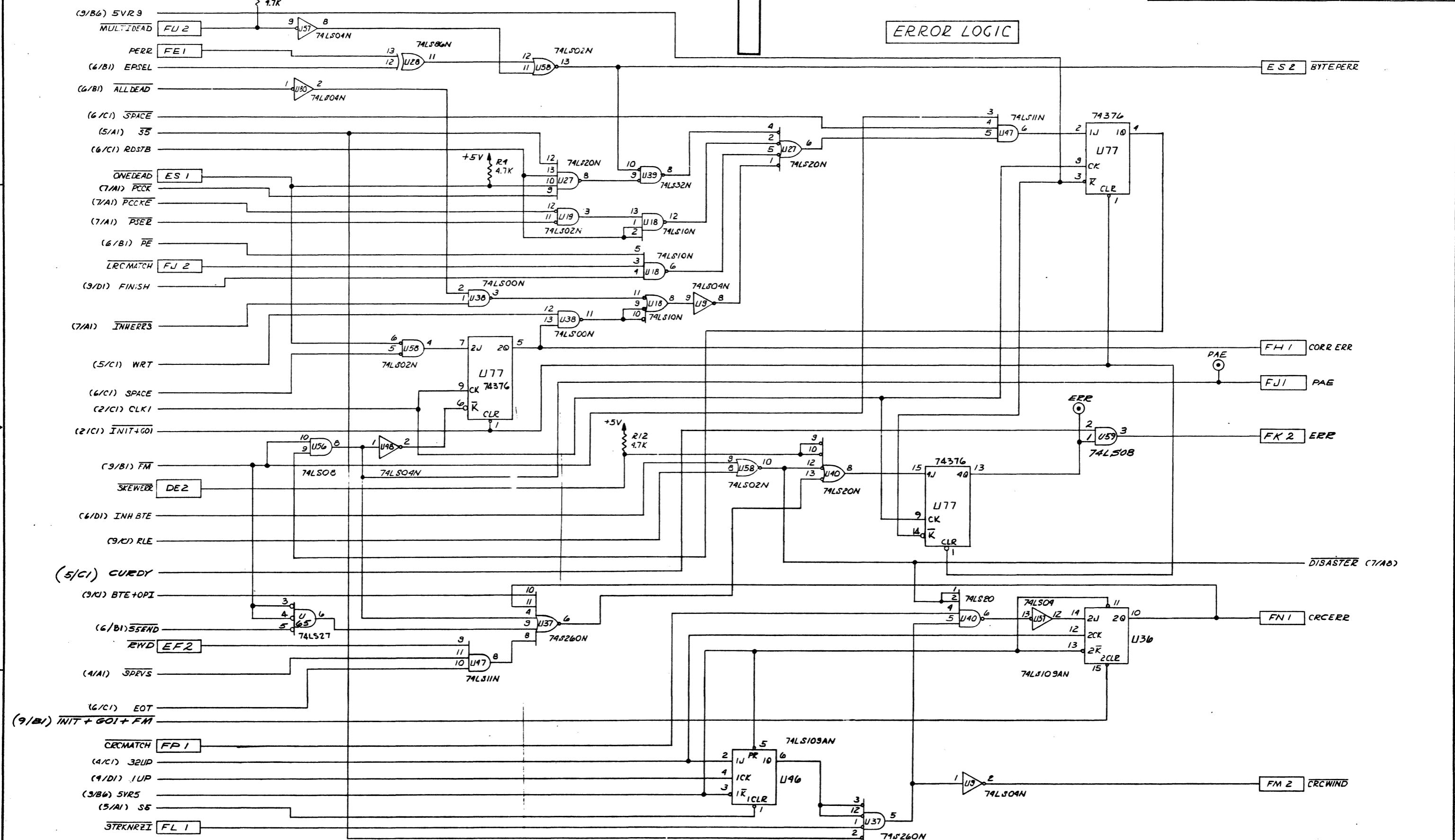


SIZE	CODE IDENT NO.	DWG NO.
D	52648	SD701700
SCALE: NONE	REV'D	SHEET 7 OF 9
DISTR NO.		

SD 701 700

The information herein is the property of PLESSEY PERIPHERAL SYS. Transmittal hereof or possession of the information does not comply license, or imp. any rights to use, sell, or manufacture from this information and no reproduction or publication of it, in whole or in part, shall be made without written authorization from PLESSEY PERIPHERAL SYS.

REVISIONS			
ZONE	LTR	DESCRIPTION	DATE
		SEE SHEET 1	
			APPROVED

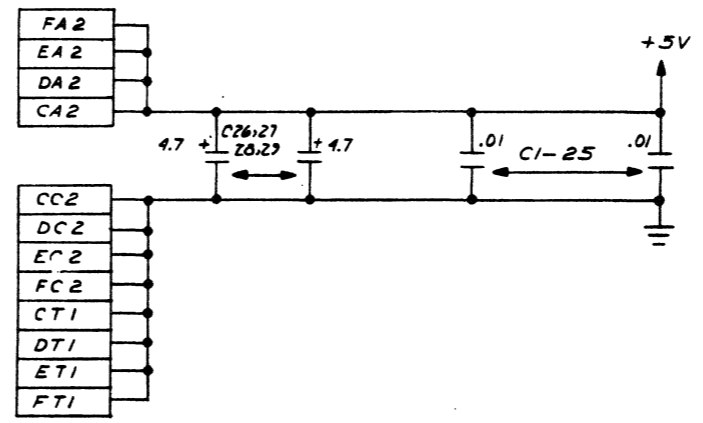
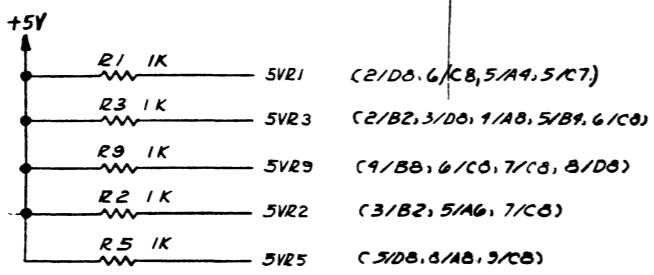
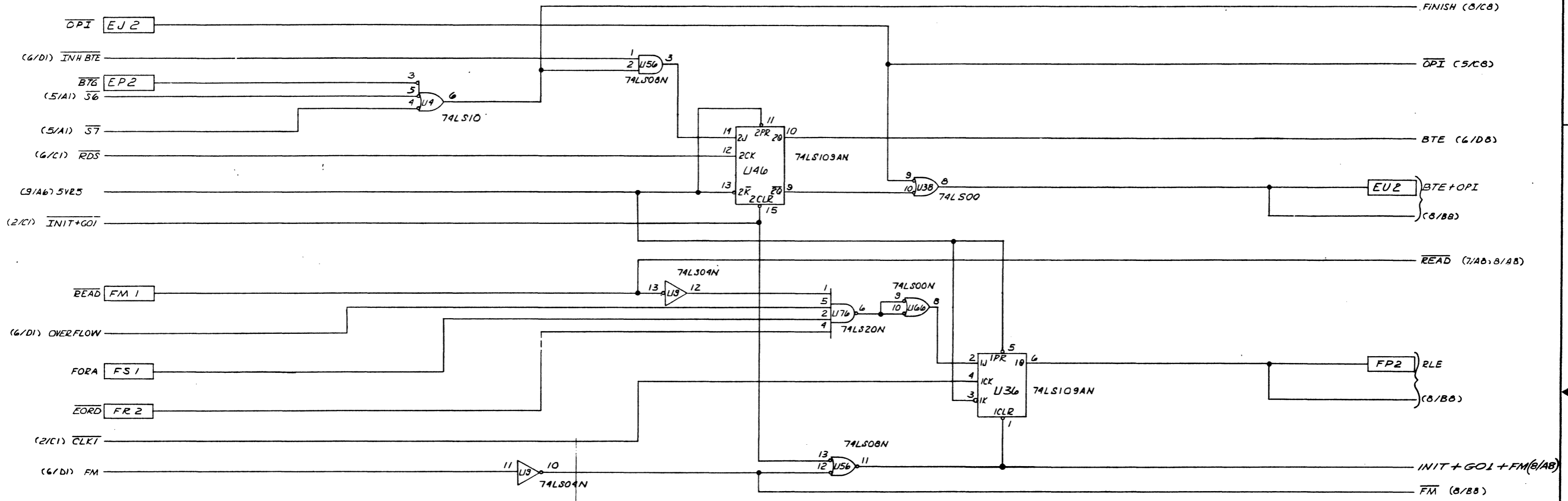


SIZE	CODE IDENT NO.	DWG NO.
D	52648	SD 701700
SCALE: NONE	REV D	SHEET 8 OF 9
		DISTR NO.

The information herein is the property of PLESSEY PERIPHERAL SYS. Transmittal in any form or possession of the information does not constitute an offer of any product or service, or manufacture from this information and no representation or publication of it in whole or in part, shall be made without written authorization from PLESSEY PERIPHERAL SYS.

REVISIONS				
ZONE	LTR	DESCRIPTION	DATE	APPROVED
		SEE SHEET 1		

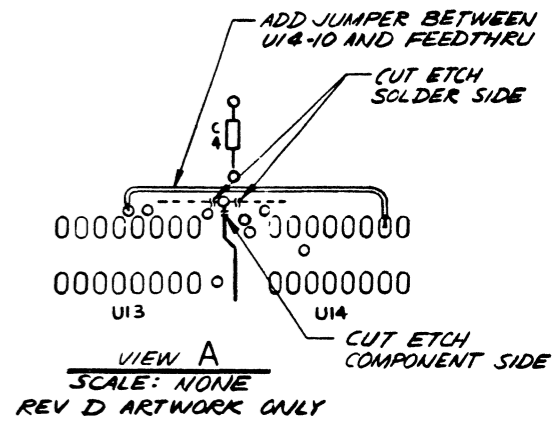
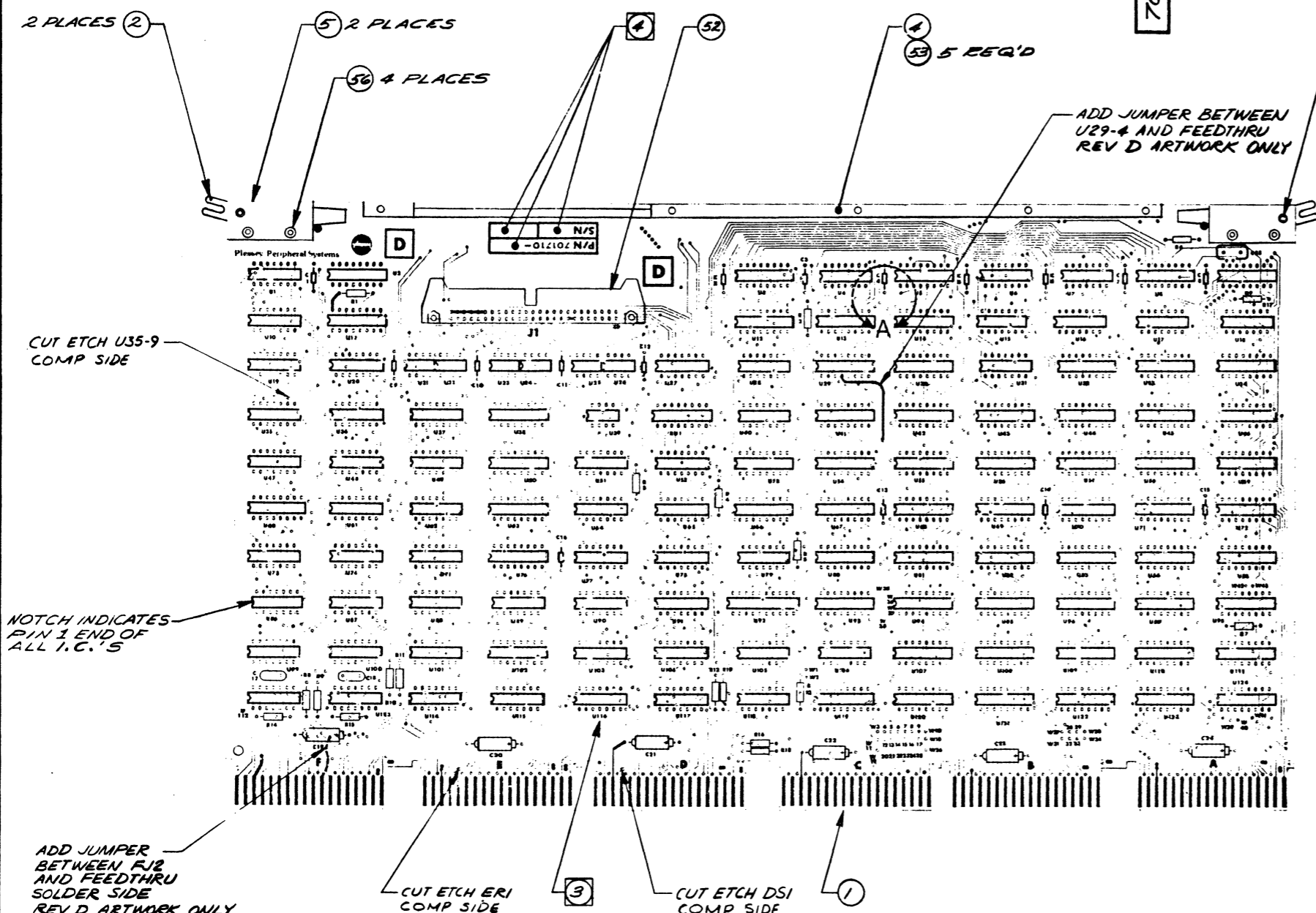
ERROR LOGIC



SIZE	CODE IDENT NO.	DWG NO.
D	52648	SD 701 700
SCALE: NONE	REV D	SHEET 3 OF 3
DISTR NO.		

The information hereon is the property of PLESSEY PERIPHERAL SYS. Transmittal receipt or possession of the information does not imply, license, or imply any rights to use, sell, or manufacture from the information and no reproduction or publication of it, in whole or in part, shall be made without written authorization from PLESSEY PERIPHERAL SYS.

REVISIONS				
ZONE	LTR	DESCRIPTION	DATE	APPROVED
	C	INCORP EO 2749	12-4-78	[Signature]
	C	REVISE TO INACTIVE PER EO 3303 et	9-27-79	[Signature]
	D	INCORP EO 3430	12-7-79	[Signature]



INACTIVE
THIS ITEM IS NOT APPROVED FOR NEW MANUFACTURING REQUIREMENTS AND HAS BEEN SUPERSEDED BY PART NO. 703290

- ⑥ COMPONENT LEAD TRIM AND SOLDER BUILD-UP TO BE AS NOTED.
 - ⑤ INSTALL SPRING WASHER BETWEEN PWB AND HANDLE.
 - ④ MARK ASSEMBLY VERSION NUMBER, LATEST REVISION LETTER, SERIAL NUMBER AND EIA DATE CODE WITH .12 HIGH CHARACTERS USING WHITE INK PER MIL-M-13231, GROUP III. LOCATION TO BE APPROXIMATELY AS SHOWN.
 - ③ COMPONENT DESIGNATIONS ARE FOR REFERENCE ONLY AND DO NOT APPEAR ON PART.
2. FOR SCHEMATIC DIAGRAM SEE SD 701710.
1. ASSEMBLE AND INSPECT PER WORKMANSHIP STANDARDS MANUAL.

NOTES: UNLESS OTHERWISE SPECIFIED

FROM	TO
U4-4	U17-1
U19-10	U17-2
U17-3	DS1
U35-9	U92-7
U66-12	U15-4
U66-9	U15-5
U15-6	ERI

PART/ASSY NO. & QTY PER ASSY		DO NOT SCALE DRAWING		CONTRACT NO.			
PART/ASSY REV LTR		SCREW THREADS PER HANDBOOK H-38 COUNTERBORE AND SPOTFACE FILLET RADI TO BE .010 MAXIMUM REMOVE ALL BURRS AND BREAK SHARP EDGES EQUIVALENT TO .010 ROUGHNESS OF MACHINED SURFACES 125 PER USAS 48.1 STANDARD HOLE TOLERANCE PER AND 32M7 TOLERANCES ON: .XX = .03 .XXX = .010 ANGLES = 2.0° 30°		DRAWN TOM COMEY 12-1-78 CHECK [Signature] 12-5-78 ENGR PROJ. ENGR [Signature] 12-14-78 PROD. DESIGN [Signature] 12-14-78 OTHER [Signature] 12-14-78		DWG TITLE BOARD ASSEMBLY, UNIBUS CONTROL BD. NO. 2 PM-TC/11	
APPLICATION		INTERPRET DIMENSIONS AND TOLERANCES PER USAS 114.6 DIMENSIONS ARE IN INCHES AND APPLY AFTER HEAT TREAT AND FINISH UNLESS OTHERWISE SPECIFIED		SIZE CODE IDENT NO. DWG NO. D 52648 701710			
PART NO. NEXT ASSY USED ON		APPROVALS		SCALE: 1:1 SHEET 1 OF 1			
NOTE: PART OR IDENTIFYING NO.		NOMENCLATURE OR DESCRIPTION / MATERIAL		SPEC/SOURCE CODE IDENT NO. FIND NO.			
-100		FOR PARTS LIST SEE PL701710-100		1			

701710

A

DISTR NO. 10-11

PARTS LIST	Plessey Microsystems	PREPARED BY <i>TOM COMEY</i>	10-9-78	PARTS LIST NO. PL701710-100	REV LTR B
BOARD ASSEMBLY UNIBUS CONTROL BOARD NO. 2		CHECKED BY <i>L. Jenkins</i>	10-11-78	CODE IDENT NO. 52648	SH 1 OF 2
		RESP ENG <i>L. Dornsky</i>	10-11-78	MODEL NO. PM-TC/11	
		APPRV <i>D. DeW</i>	10-11-78		
		DOC CONTROL <i>D. DeW</i>	10-15-78		

REV LTR	DESCRIPTION	DATE	APPROVED	REV LTR	DESCRIPTION	DATE	APPROVED
A	REL TO PROD E02607	10-11-78	<i>[Signature]</i>				
B	INCOPE E02675 R4	10-30-78	<i>[Signature]</i>				

PRODUCTION RELEASE

REV STATUS OF SHEETS	REV LTR	B	B	B	A	A	A							
SHEET		1	2	3	4	5	6	7	8	9	10			

PARTS LIST	Plessey Microsystems	CODE IDENT NO. 52648	PARTS LIST NO. PL701710-100	SH 2	REV LTR B
-------------------	-----------------------------	-------------------------	--------------------------------	------	--------------

CROSS INDEX OF REFERENCE DESIGNATIONS TO FIND NO.

REFERENCE DESIGNATION	FIND NO.	REFERENCE DESIGNATION	FIND NO.	REFERENCE DESIGNATION	FIND NO.
U17, U31, U36, U49	6	U192, U193, U194, U195, U196, U197, U199, U109, U152	24	U106	40
U52, U73, U75, U103, U114	7	U13, U14, U30, U53, U67, U68, U76	25	RUI	41
U35, U104	7	U38, U15, U29, U80, U81	26	R1-5, 7, 9, 11, 13, 17	42
U1, U5, U10, U28, U51, U59, U105	8	U92	27	R12, R16	43
U20, U37, U49, U74, U101, U117, U107, U15	9	U8, 60	28	R8, R10	44
U78, U116	10	U43, U44, U45, U46, U56, U57, U58, U59	29	R14, R15, R18, R19	45
U5, U16, U61, U88	11	U69, U70, U71, U72	30	R6	46
U27, U30	12	U102	30	C17, C18, C25	48
U65	13	U9	31	C19, C20, C21, C22, C23, C24	49
U65, U91	14	U87, U100	32		
U93	15	U47	33	C1, C2, C3, C4, C5, C6, C7, C8, C9, C10, C11, C12, C13, C14, C15, C16	50
U90	16	U19, U64, U79	34		
U112, U113, U86	17	U63	35		
U77, U115	18	U39, U25	36		
U18	19	U21, U22, U23, U24, U26	37		
U5	20	U118	38		
U12	21	U94, U95, U107, U108, U110, U111, U120, U121, U123, U124	39		
U11, U32, U33, U34, U50, U66	22				
U41, U42, U119, U54, U55	23				

PARTS LIST	Plessey Microsystems	CODE IDENT NO. 52648	PARTS LIST NO. PL701710-100	SH 3	REV LTR B
-------------------	-----------------------------	-------------------------	--------------------------------	------	--------------

QTY REQD	PART OR IDENTIFYING NO.	NOMENCLATURE OR DESCRIPTION	SPECIFICATION	CODE IDENT NO.	ZONE	FIND	SYM	C/I USAGE
1	701709-001	R.W.B. / UNIBUS CONTROL PM-TC/11				1		
2	701617-001	HANDLE-EXTRACTOR				2		
2	700931-002	SPACER-HANDLE MOUNT				3		
1	701618-001	STIFFENER				4		
2	701688-001	SUPPORT, HANDLE				5		
9	SN74LS00	I.C. / QUAD 2-INPUT POS-NAND GATES	T.1.			6		
2	SN74LS02	I.C. / QUAD 2-INPUT POS-NOR GATES	T.1.			7		
7	SN74LS04	I.C. / HEX INVERTERS	T.1.			8		
9	SN74LS08	I.C. / QUAD 2-INPUT POS-AND GATES	T.1.			9		
B 2	SN74LS10	I.C. / TRIPLE 3-INPUT POS-NAND GATES	T.1.			10		
B 4	SN74LS11	I.C. / TRIPLE 3-INPUT POS-AND GATES	T.1.			11		
2	SN74LS14	I.C. / HEX SCHMITT-TRIGGER INVERTERS	T.1.			12		
1	SN74LS27	I.C. / TRIPLE 3-INPUT POS-NOR GATES	T.1.			13		

PARTS LIST	Plessey Microsystems	CODE IDENT NO. 52648	PARTS LIST NO. PL701710-100	SH 4	REV LTR A
-------------------	-----------------------------	-------------------------	--------------------------------	------	--------------

QTY REQD	PART OR IDENTIFYING NO.	NOMENCLATURE OR DESCRIPTION	SPECIFICATION	CODE IDENT NO.	ZONE	FIND	SYM	C/I USAGE
2	SN74LS32	I.C. / QUAD 2-INPUT POS-OR GATES	T.1.			14		
1	SN74LS13	I.C. / 13-INPUT POS-NAND GATES	T.1.			15		
1	SN74LS37	I.C. / QUAD 2-INPUT POS-NAND BUFFERS	T.1.			16		
3	SN7433	I.C. / QUAD 2-INPUT POS-NAND BUFFERS W/OC	T.1.			17		
2	SN74LS51	I.C. / DUAL 2-WIDE 2-INPUT AND-OR-INVERT GATES	T.1.			18		
1	SN74LS86	I.C. / QUAD 2-INPUT EXCLUSIVE-OR GATES	T.1.			19		
1	SN74LS158	I.C. / QUAD 2-TO-1-LINE DATA SELECTORS/MULTIPLEXERS	T.1.			20		
1	SN74LS85	I.C. / 4-BIT MAGNITUDE COMPARATOR	T.1.			21		
6	SN74LS138	I.C. / DECODER/DEMULTIPLEXERS	T.1.			22		
5	SN74LS157	I.C. / QUAD 2-LINE TO LINE DATA SEL/MULTIPLEXERS	T.1.			23		
9	SN74LS161	I.C. / SYNCHRONOUS 4-BIT COUNTERS	T.1.			24		
7	SN74LS175	I.C. / HEX/QUAD D-TYPE F/F W/CLEAR	T.1.			25		
5	SN74LS153	I.C. / DUAL 4 LINES TO 1-LINE DATA SEL/MULTIPLEXERS	T.1.			26		

The information hereon is the property of PLESSEY PERIPHERAL SYS. Transmittal receipt or possession of the information does not comply, license, or imply any rights to use, sell, or manufacture from this information, and no reproduction or publication of it in whole or in part, shall be made without written authorization from PLESSEY PERIPHERAL SYS.

SIZE **B** CODE IDENT NO. **52648** DWG NO. **PL 701710-100** SHEET **1** OF **2**

PARTS LIST		Plessey Microsystems		CODE IDENT NO.	PARTS LIST NO.	SH	REV LTR	C/I USAGE	
NOTE	QTY REQD	PART OR IDENTIFYING NO.	NOMENCLATURE OR DESCRIPTION	SPECIFICATION	CODE IDENT NO.	ZONE	F I N O D	S Y N	UNIT COST
	1	SN74LS273	I.C./JCTAL D-TYPE FLIP/FLOP W/CLEAR	T.1.			27		
	2	SN74LS109	I.C./DUAL J-K POS-EDGE-TRIG. FF W/PRESET AND CLEAR	T.1.			28		
	12	SN74LS257	I.C./QUADRUPLE 2-LINE-TO-1-LINE DATA SEL/MULTIPLEXERS	T.1.			29		
	1	SN74376	I.C./QUADRUPLE J-K F/F	T.1.			30		
	1	SN74123	I.C./DUAL RETRIG MONO MULTI W/CLEAR	T.1.			31		
	2	SN74A74	I.C./DUAL D-TYPE POS EDGE-TRIG F/F W/PRESET/CLEAR	T.1.			32		
	1	SN7474	I.C./DUAL D-TYPE POS EDGE-TRIG F/F W/PRESET/CLEAR	T.1.			33		
	3	SN74LS74A	I.C./DUAL D-TYPE POS EDGE-TRIG F/F W/PRESET/CLEAR	T.1.			34		
	1	SN74LS174	I.C./HEX/QUAD D-TYPE F/F W/CLEAR	T.1.			35		
	2	SNT5452B	I.C./DUAL PERIPHERAL POS-NAND DRIVER	T.1.			36		
	5	SNT5453B	I.C./DUAL PERIPHERAL POS OR DRIVER	T.1.			37		
	1	DS8640	I.C./QUAD NOR UNIFIED BUS RECEIVER	NATIONAL			38		
	10	DS8641	I.C./QUAD UNIFIED BUS TRANSCEIVER	NATIONAL			39		

PARTS LIST		Plessey Microsystems		CODE IDENT NO.	PARTS LIST NO.	SH	REV LTR	C/I USAGE	
NOTE	QTY REQD	PART OR IDENTIFYING NO.	NOMENCLATURE OR DESCRIPTION	SPECIFICATION	CODE IDENT NO.	ZONE	F I N O D	S Y N	UNIT COST
	1	SN74S260	I.C./DUAL 5-INPUT POS-NOR GATES	T.1.			40		
	1	898-5-ERR0/330	RESISTOR MODULE	BECKMAN			41		
	10	RC07GF 102J	RESISTOR/1K, ±5%, 1/4W	MIL-R-11			42		
	2	RN55D 3830F	RESISTOR/383Ω, ±1%, 1/8W	MIL-R-10509			43		
	2	RC07GF 470J	RESISTOR/47Ω, ±5%, 1/4W	MIL-R-11			44		
	4	RN55D 1780F	RESISTOR/178Ω, ±1%, 1/8W	MIL-R-10509			45		
	1	RC07GF 103J	RESISTOR/10K, ±5%, 1/4W	MIL-R-11			46		
							47		
	3	CD15FD 331J03	CAPACITOR/330PF, ±5%	CORNELL DUBILIER			48		
	6	150D475X 0020B2	CAPACITOR/4.7UF, 20V	SPRAGUE			49		
	16	CGA1032DZ	CAPACITOR/.01UF	UNITRODE			50		
							51		
	1	3433-1002	CONNECTOR, 50 PIN	3M			52		

PARTS LIST		Plessey Microsystems		CODE IDENT NO.	PARTS LIST NO.	SH	REV LTR	C/I USAGE	
NOTE	QTY REQD	PART OR IDENTIFYING NO.	NOMENCLATURE OR DESCRIPTION	SPECIFICATION	CODE IDENT NO.	ZONE	F I N O D	S Y N	UNIT COST
	5	M551957-3	SCREW/2-56 X 1/4 LG, PH				53		
	2	B0281-013	SPRING WASHER	SPEC			54		
							55		
	6	SE-313/NICKEL PLATE	RIVET, TUBULAR	USM			56		
							57		
							58		
							59		
							60		
							61		
							62		
	REF	SNG3 WRAP3	SOLDER				63		
	REF	SD701710	SCHEMATIC DIAGRAM UNIBUS CONTROL				64		
	REF	TS701710	TEST SPECIFICATION UNIBUS CONTROL				65		

The information hereon is the property of PLESSEY PERIPHERAL SYS. Transmittal receipt or possession of the information does not imply, license, or imply any rights to use, sell, or manufacture from this information and no reproduction or publication of it, in whole or in part, shall be made without written authorization from PLESSEY PERIPHERAL SYS.

SIZE B
 CODE IDENT NO. 52648
 DWG NO. PL 701710-100

SCALE
 REV B
 SHEET 2 OF 2

The information herein is the property of PLESSEY MICROSYSTEMS. Transmittal receipt or possession of the information does not imply, license or imply any rights to use, sell, or manufacture from this information and no reproduction or publication of it, in whole or in part, shall be made without written authorization from PLESSEY MICROSYSTEMS.

REVISIONS				
ZONE	LTR	DESCRIPTION	DATE	APPROVED
✓	A	REL TO PROD EO 2607	10-11-78	[Signature]
✓	B	INCOEP EO 2675 24	10-30-78	[Signature]
✓	C	INCOEP EO 2749	12-8-78	[Signature]
✓	C	REVISE TO INACTIVE PER EO 3303 24	9-27-79	[Signature]

LAST REFERENCE DESIGNATION USED	
RESISTOR	R19
CAPACITOR	C25
RESISTOR MODULE	RUI
INTEGRATED CIRCUIT	UI24

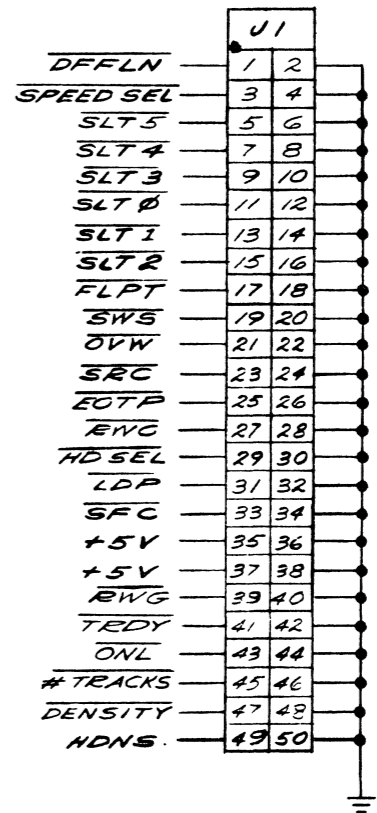
REFERENCE DESIGNATION NOT USED	
INT CKT	UR

REF DESIG.	GATES USED PER TOTAL	PART NUMBER
U16	1/3	74LS11
U18	2/4	74LS86
U26	1/2	75453
U17	1/4	74LS00
U8	1/2	74LS109
U61	2/3	74LS11
U65	2/3	74LS27
U35	3/4	74LS02
U90	3/4	74LS37
U15	1/4	74LS08
U106	1/2	74S260
U116	2/3	74LS10
U9	1/2	74123

SOLDER SIDE	SIDE 2		SIDE 1		CONNECTOR
A	+5V	A	INIT		CONNECTOR
	10KC CLOCK	B	INTR		
	GND	C	D00		
	D01	D	D02		
	D03	E	D04		
	D05	F	D06		
	D07	H	D08		
	D09	J	D10		
	D11	K	D12		
	D13	L	D14		
	D15	M	BGL		
	BTE+OPI	N	BLE		
	BBSY	P	PAE		
	SACK	R	NPGIN		
	NPR	S	BGIN7		
	B07	T	GND		
	BEG	U	SDWN		
LRC7	V	LRC0			
B	+5V	A	BGIN6		CONNECTOR
		B	BGIN5		
	GND	C	BE5		
	BE4	D			
	BGIN4	E	FM		
	CRCERR	F	WRDTA1		
		H	A07		
	A02	J	A03		
	A04	K	A05		
	A06	L	A07		
	A08	M	A09		
	A10	N	A11		
	A12	P	A13		
	A14	R	A15		
	A16	S	A17		
	CI	T	GND		
	C0	U	SSYN		
WRDTA6	V	MSYN			

SOLDER SIDE	SIDE 2		SIDE 1		CONNECTOR
C	+5V	A	BGT7		CONNECTOR
	BGT5	B	BGT6		
	GND	C	BGT4		
		D	NP9OUT		
		E	SPARE		
	WRDTA0	F			
		H	WRDTA2		
	WRDTA3	J			
	STOP	K	FOD6		
	FOD5	L	FOD2		
	FOD1	M			
	FOD7	N	FOD4		
	FOD3	P	FOD0		
	PACK	R	AD000		
		S			
	AD00	T	GND		
	OVERFLOW	U	CLK1		
RCDT	V	LAST BYTE			
D	+5V	A			CONNECTOR
		B	INITPL5		
	GND	C			
	RWD	D			
	ECT	E	SPDSEL		
	BYTEENDRD	F			
	NXM	H			
	JLC+OPI	J	7 TEK		
		K	READ		
		L	SG		
	RST	M	ONLNS		
	GO	N			
		P	SPACE		
	GODLY	R	CLEBBSY		
	HDEN	S	RWDS		
	BTG	T	GND		
	BOT	U	INIT+GO		
	V				

SOLDER SIDE	SIDE 2		SIDE 1		CONNECTOR
E	+5V	A	IBM		CONNECTOR
		B	EDIT		
	GND	C			
	TAPEMTN	D	TPEDY		
	TAPEMTN	E	XCLK		
	EVP	F	PACK		
		H	SPCLK		
	EORD	J	EORD		
	FODP	K	DOIT		
	START	L	SEL LRC		
	WAIT	M	WRDTA4		
	WRDTA7	N	WRDTA5		
	EDFIFORD	P	7 TEK		
	TPEDY	R	WERG		
	WRT	S	WEOF		
	WEDT	T	GND		
	SPRVS	U			
EDCHRCAR	V	TDRST			
F	+5V	A	NPRENBL		CONNECTOR
	CURDYDLY	B	SIEND		
	GND	C			
	RSTDONES	D	WRT		
	9TEK NRZ	E	PE		
	800 BPI	F	556 BPI		
		H			
	RDY	J	OLR		
	ILC	K	ILC		
	MSYNT	L	XFR		
	PEID	M	SLOWBYTE		
	CURDY	N	EVB5		
	LECG	P	ERR		
	LRC4	R	LCHAR		
	LRC5	S	HCHAR		
	LRC2	T	GND		
	LRC3	U	LRCP		
LRC1	V	CORRER			



INACTIVE
THIS ITEM IS NOT APPROVED FOR NEW MANUFACTURING REQUIREMENTS AND HAS BEEN INACTIVE BY PART NO. 741232

- CAPACITOR VALUES ARE MICROFARADS.
- RESISTOR VALUES ARE IN OHMS, ±5%, 1/4W
- DESIGNATIONS SHOWN IN PARENTHESIS INDICATES WHERE SIGNAL ORIGINATES OR TERMINATES.
(2/B3)
— ZONE DESIGNATION
— SHEET NUMBER

- SIGNALS SHOWN IN RECTANGLES ARE I/O CONNECTIONS.
A A 1
— BOARD SIDE
— PIN DESIGNATION
— CONNECTOR DESIGNATION

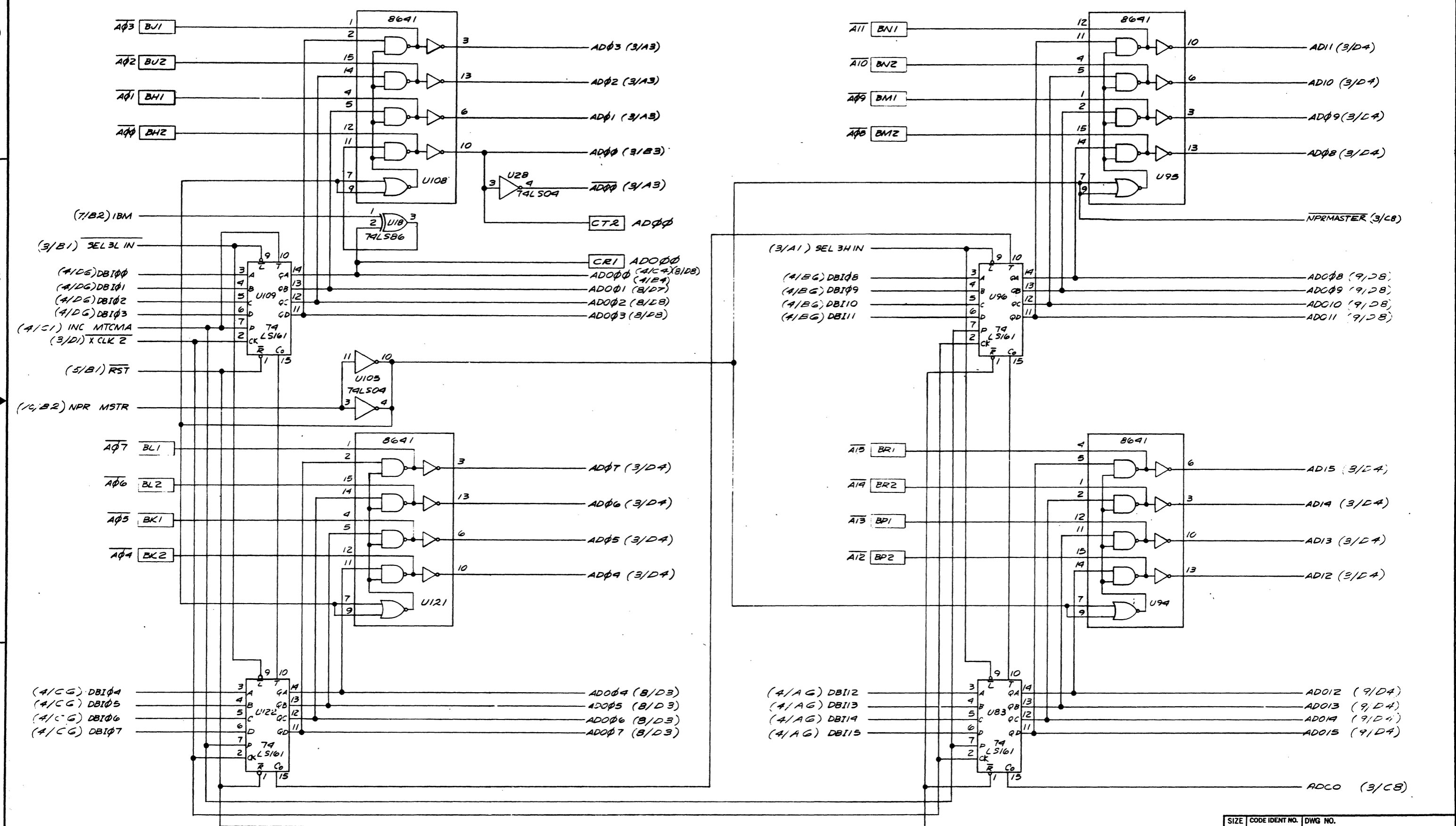
1. FOR ASSEMBLY DRAWING SEE 701710
NOTES: UNLESS OTHERWISE SPECIFIED:

PART/ASSY NO. & QTY PER ASSY		DO NOT SCALE DRAWING		CONTRACT NO.	
PART/ASSY REV LTR		SCREW THREADS PER HANDBOOK H-88		Plessey Microsystems	
		COUNTERBORE AND SPOTFACE FILLET RADI TO BE .005 MAXIMUM		DRAWN TOM CCMEX 10-9-78	
		REMOVE ALL BURRS AND BREAK SHARP EDGES EQUIVALENT TO .010R		CHECK [Signature] 10-11-78	
		ROUNDEDNESS OF MACHINED SURFACES 1/4 PER USAS 3.1		ENGR	
		STANDARD HOLE TOLERANCE PER AND 3007		PROJ. ENGR [Signature] 10-11-78	
		TOLERANCES ON .125 & .030 .001 & .002		PROD. DESIGN [Signature] 10-11-78	
		TOLERANCES ON .030 & .015 .001 & .002			
		INTERPRET DIMENSIONS AND TOLERANCES PER USAS 11.1		SIZE CODE IDENT NO. DWG NO.	
		DIMENSIONS ARE IN INCHES AND APPLY AFTER HEAT TREAT AND FINISH		D 52648 SD701710	
		UNLESS OTHERWISE SPECIFIED		SCALE: 1/1	
APPLICATION		OTHER APPROVALS		SHEET 1 OF 12	

The information herein is the property of PLESSEY MICROSYSTEMS. Transmittal receipt or possession of this information does not constitute license, or imply any rights to use, sell, or manufacture from this information and no reproduction or publication of it, in whole or in part, shall be made without written authorization from PLESSEY MICROSYSTEMS.

**CURRENT MEMORY ADDRESS REGISTER
MTCMA**

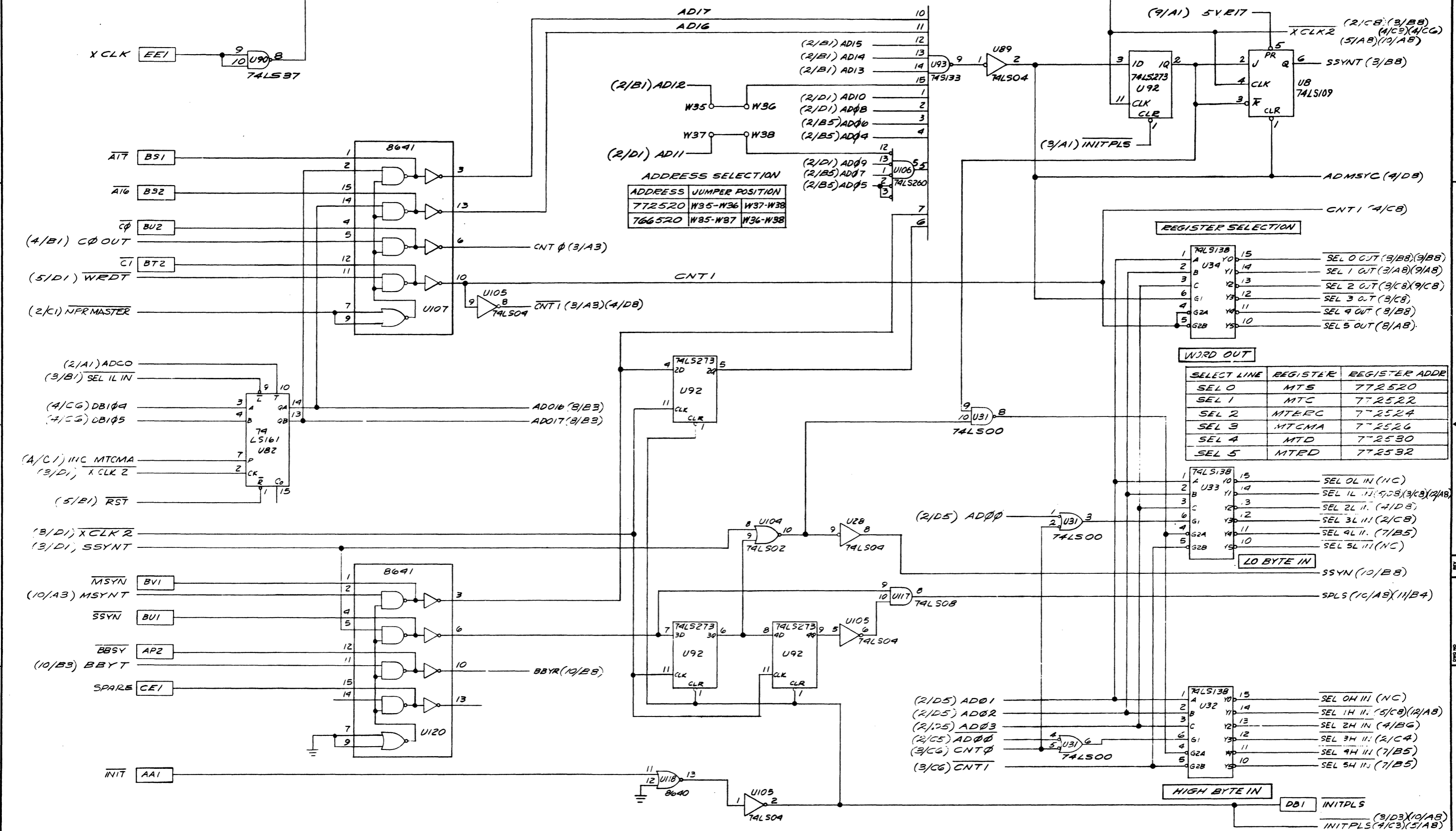
REVISIONS				
ZONE	LTR	DESCRIPTION	DATE	APPROVED
		SEE SHEET 1		



SIZE	CODE IDENT NO.	DWG NO.
D	52648	SD701710
SCALE: —	REV C	SHEET 2 OF 12
		DISTR NO.

The information herein is the property of PLESSEY MICROSYSTEMS. Transmittal, receipt or possession of the information does not constitute license, or imply any rights to use, sell, or manufacture from this information and no reproduction or publication of it, in whole or in part, shall be made without written authorization from PLESSEY MICROSYSTEMS.

REVISIONS				
ZONE	LTR	DESCRIPTION	DATE	APPROVED
		SEE SHEET 1		



ADDRESS SELECTION

ADDRESS	JUMPER POSITION
772520	W35-W36 W37-W38
766520	W35-W37 W36-W38

REGISTER SELECTION

1	74LS138	15	SEL 0 OUT (3/B8)(9/B8)
2	U34	Y0	SEL 1 OUT (3/A8)(9/A8)
3	C	Y2	SEL 2 OUT (3/C8)(9/C8)
6	G1	Y3	SEL 3 OUT (3/C8)
4	G2A	Y4	SEL 4 OUT (3/B8)
5	G2B	Y5	SEL 5 OUT (8/A8)

WORD OUT

SELECT LINE	REGISTER	REGISTER ADDR
SEL 0	MTS	772520
SEL 1	MTC	772522
SEL 2	MTRC	772524
SEL 3	MTCMA	772526
SEL 4	MTD	772530
SEL 5	MTED	772532

1	74LS138	15	SEL 0L IN (NC)
2	U33	Y0	SEL 1L IN (5/C8)(12/A8)
3	C	Y2	SEL 2L IN (4/D8)
6	G1	Y3	SEL 3L IN (2/C8)
4	G2A	Y4	SEL 4L IN (7/B5)
5	G2B	Y5	SEL 5L IN (NC)

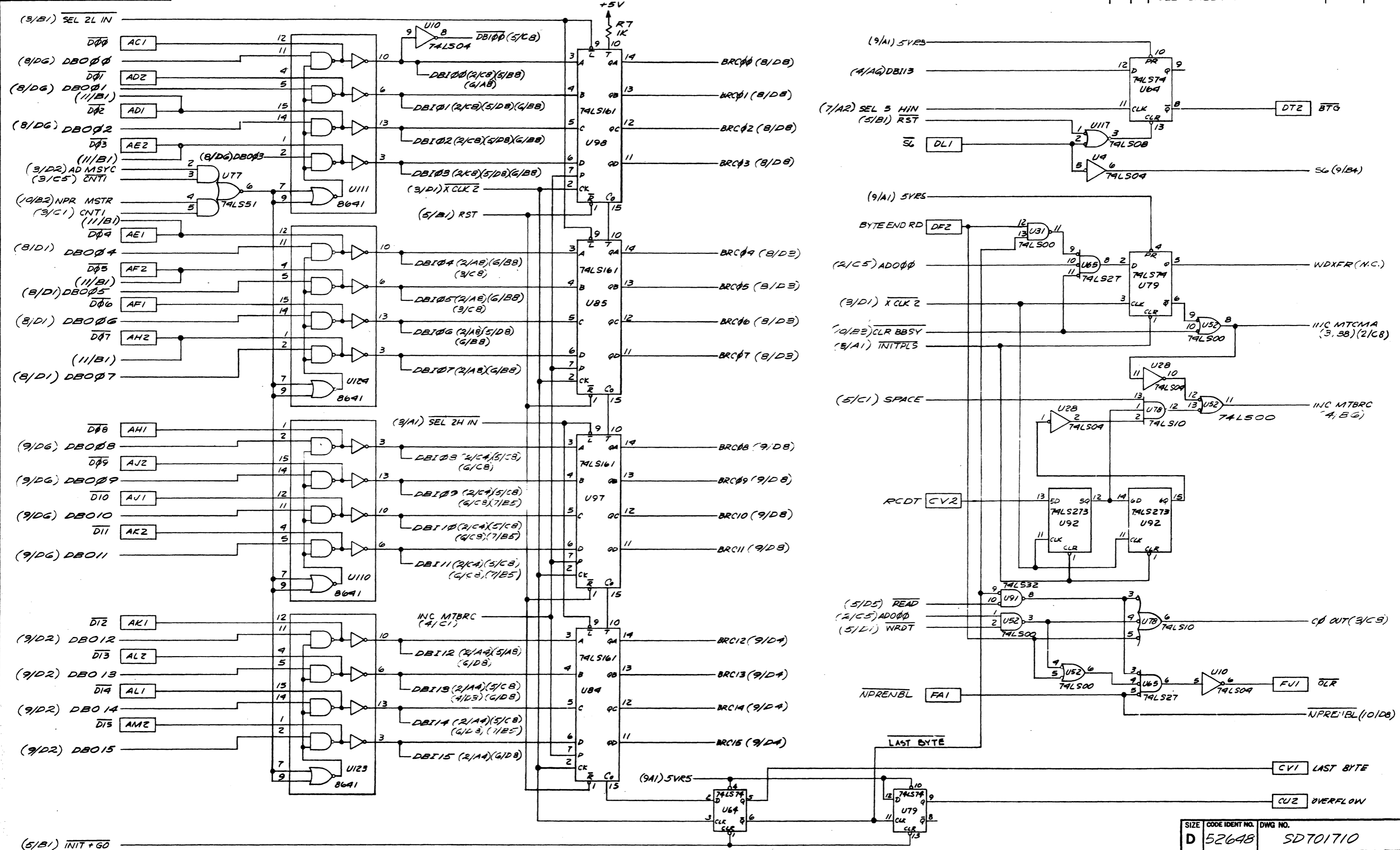
1	74LS138	15	SEL 0H IN (NC)
2	U32	Y0	SEL 1H IN (5/C8)(12/A8)
3	C	Y2	SEL 2H IN (4/B6)
6	G1	Y3	SEL 3H IN (2/C4)
4	G2A	Y4	SEL 4H IN (7/B5)
5	G2B	Y5	SEL 5H IN (7/B5)

SIZE	CODE IDENT NO.	DWG NO.
D	52648	SD701710
SCALE: -	REV C	SHEET 3 OF 12

The information herein is the property of PLESSEY MICROSYSTEMS. Transmittal receipt or possession of the information does not constitute license, or imply any rights to use, sell, or manufacture from this information and no reproduction or publication of it, in whole or in part, shall be made without written authorization from PLESSEY MICROSYSTEMS.

BYTE/RECORD COUNTER MTBRC

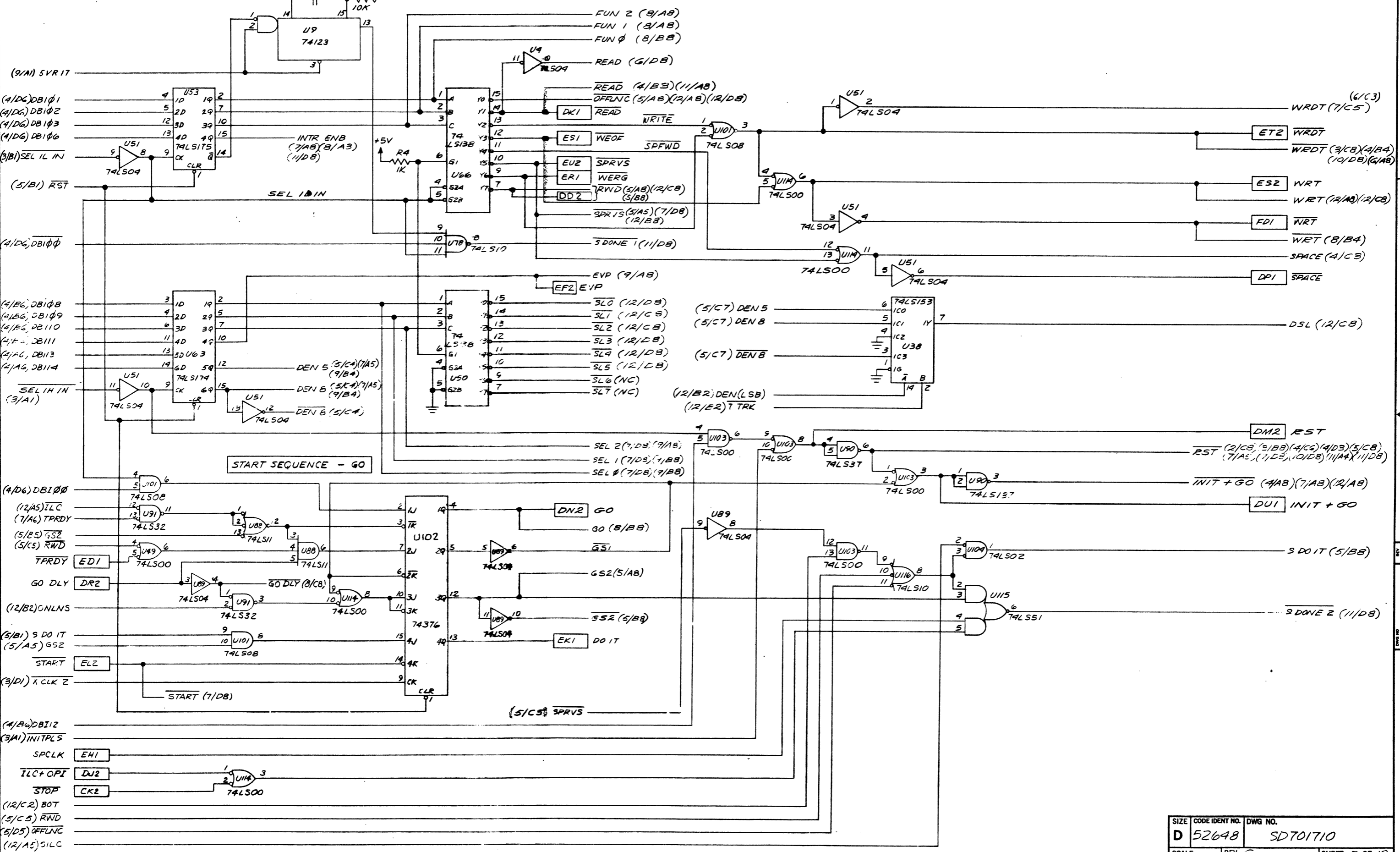
ZONE		LTR		REVISIONS	DATE	APPROVED
				DESCRIPTION		
				SEE SHEET 1		



SIZE	CODE IDENT NO.	DWG NO.
D	52648	SDT01710
SCALE	REV C	SHEET 4 OF 12
		DISTR NO.

The information herein is the property of PLESSEY MICROSYSTEMS. Transmittal, receipt or possession of the information does not constitute, in whole or in part, license, or imply any rights to use, sell, or manufacture from this information and no reproduction or publication of it, in whole or in part, shall be made without written authorization from PLESSEY MICROSYSTEMS.

REVISIONS			
ZONE	LTR	DESCRIPTION	DATE
		SEE SHEET 1	

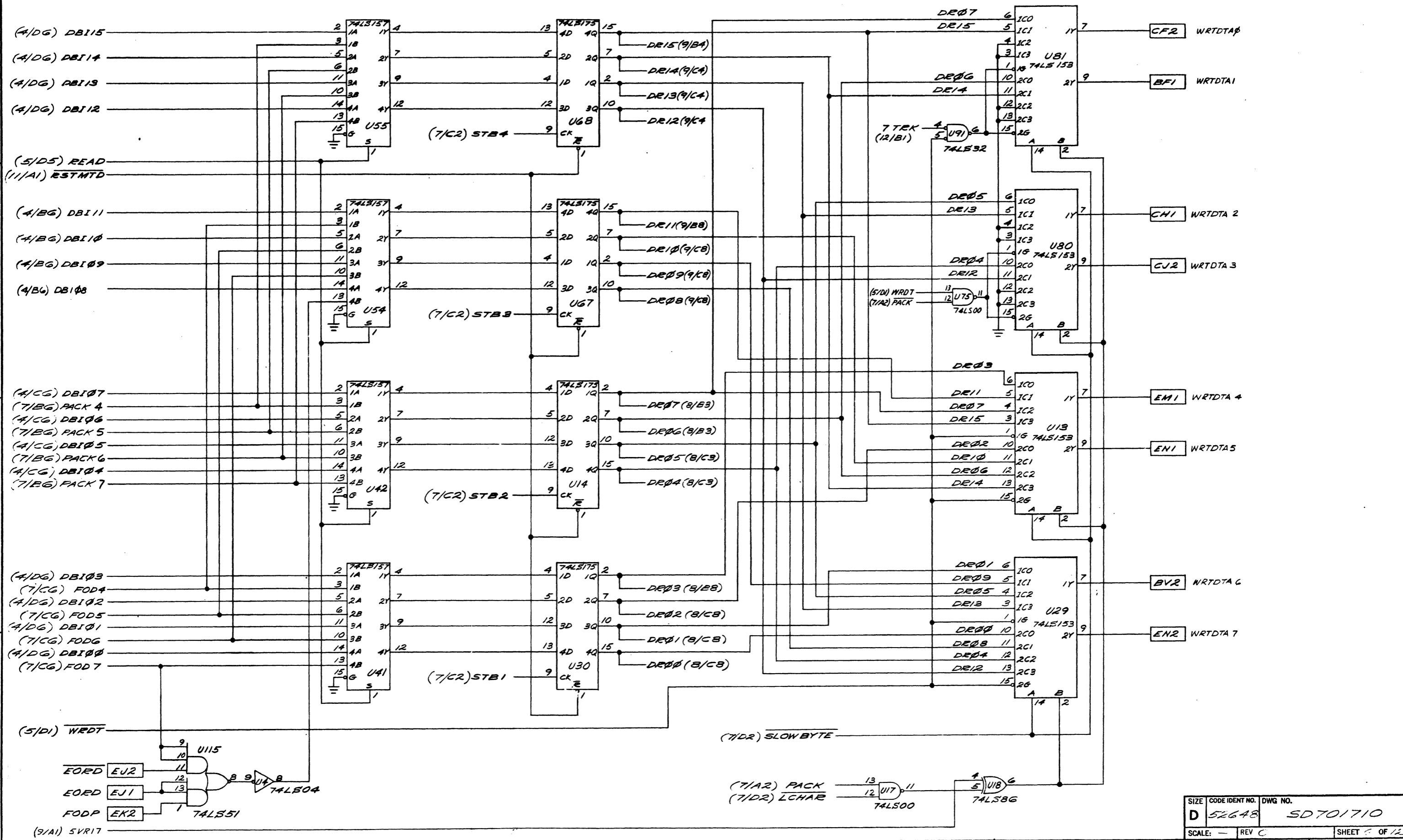


SIZE	CODE IDENT NO.	DWG NO.
D	52648	SD701710
SCALE: -	REV C	SHEET 5 OF 12
		DISTR NO.

The information herein is the property of PLESSEY MICROSYSTEMS. Transmittal receipt or possession of the information does not convey, license, or imply any rights to use, sell, or manufacture from this information and no reproduction or publication of it, in whole or in part, shall be made without written authorization from PLESSEY MICROSYSTEMS.

DATA REGISTER-MTD

ZONE		LTR		DESCRIPTION	DATE	APPROVED
				SEE SHEET 1		

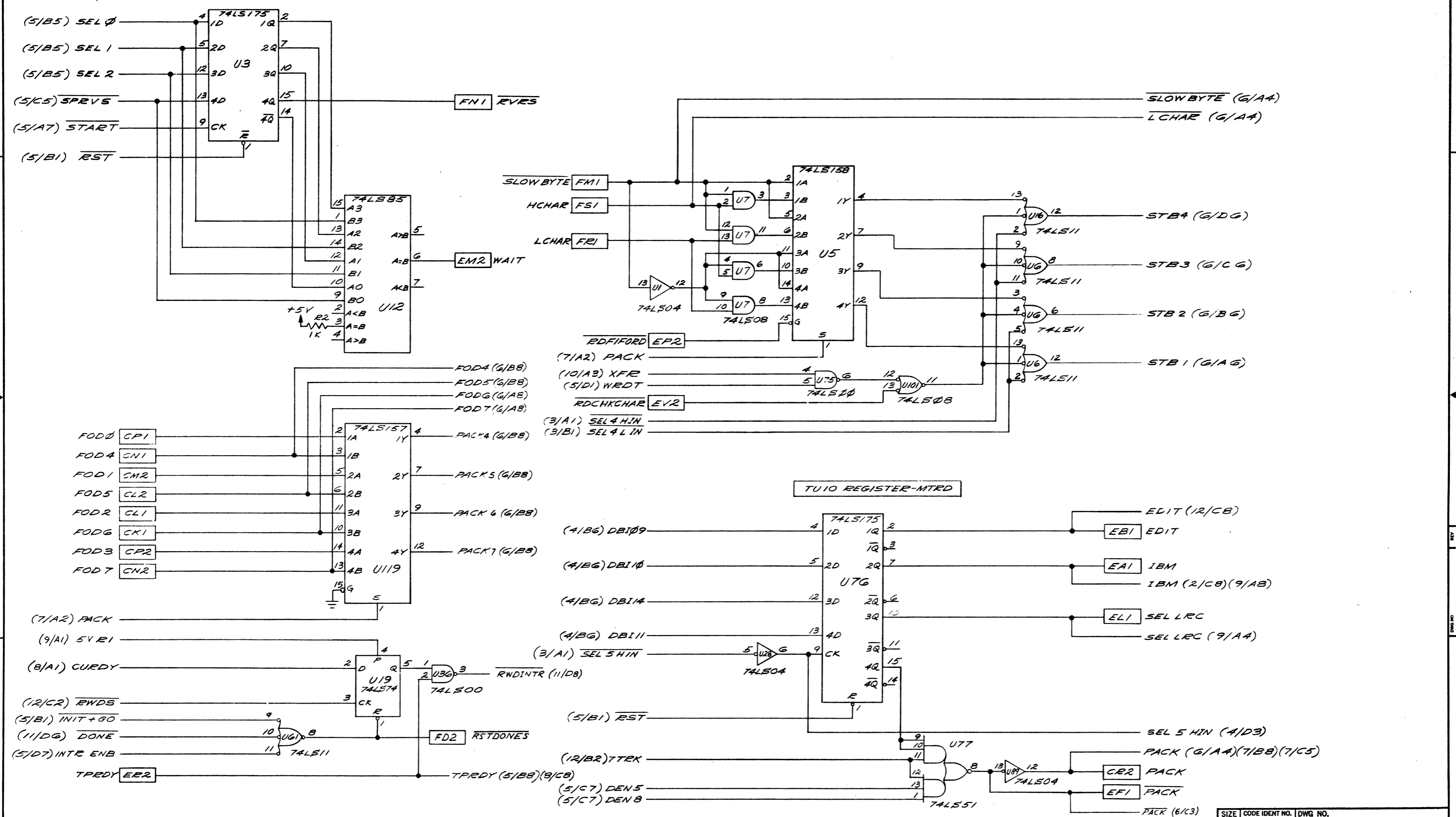


SIZE	CODE IDENT NO.	DWG NO.
D	52648	SD701710

SCALE: - REV C SHEET 6 OF 12

The information herein is the property of PLESSEY MICROSYSTEMS. Transmittal receipt or possession of the information does not constitute, license, or imply any rights to use, sell, or manufacture from this information and no reproduction or publication of it, in whole or in part, shall be made without written authorization from PLESSEY MICROSYSTEMS.

REVISIONS				
ZONE	LTR	DESCRIPTION	DATE	APPROVED
SEE SHEET 1				

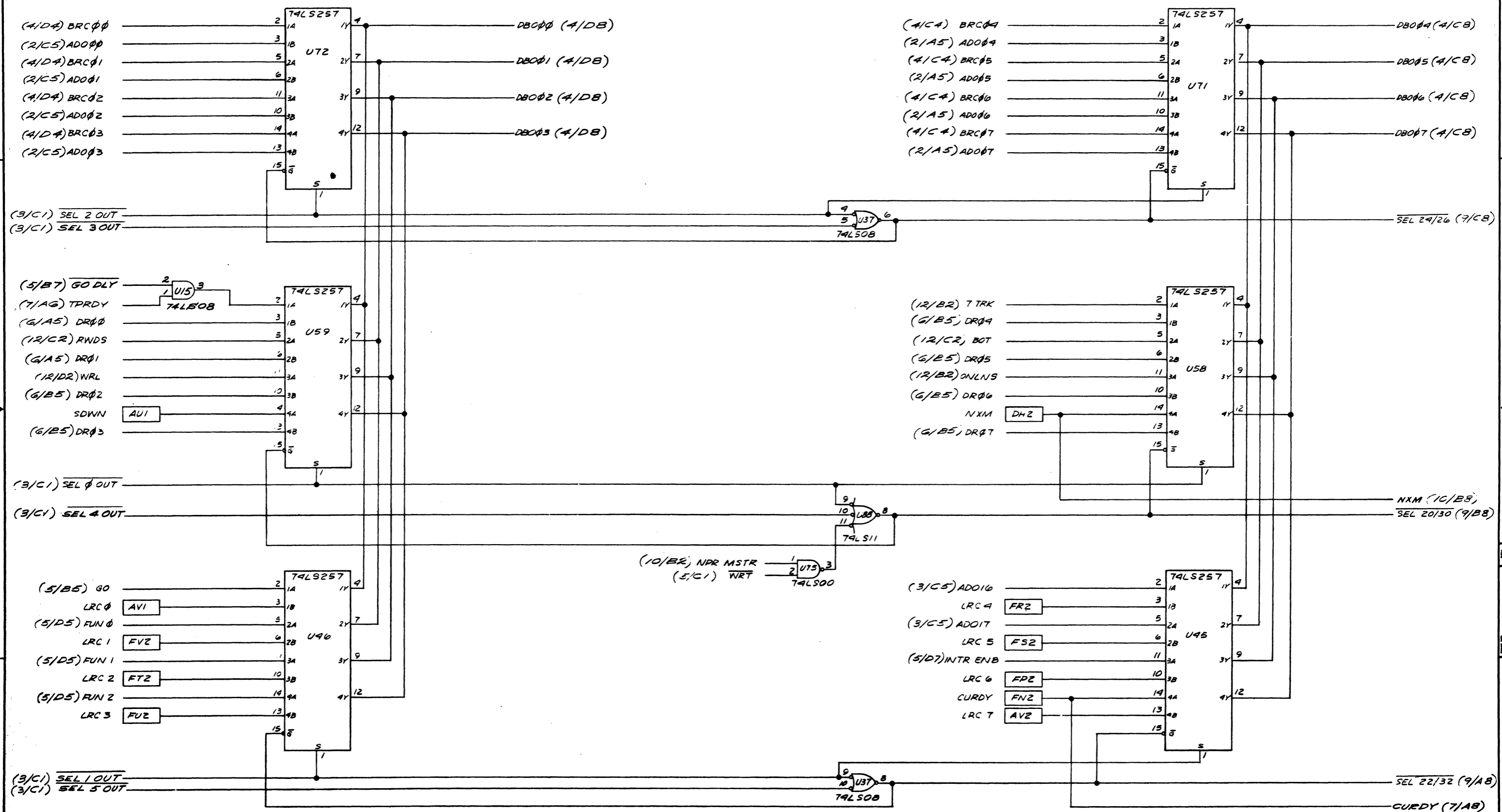


SIZE	CODE IDENT NO.	DWG NO.
D	52648	SD701710
SCALE: —	REV C	SHEET 7 OF 12
		DISTR NO.

The information herein is the property of FLESSEY MICROSYSTEMS. Transmittal receipt or possession of the information does not constitute, license, or imply any rights to use, sell, or manufacture from this information and no reproduction or publication of it, in whole or in part, shall be made without written authorization from FLESSEY MICROSYSTEMS.

REVISIONS				
ZONE	LTR	DESCRIPTION	DATE	APPROVED
		SEE SHEET 1		

LOW BYTE DATA MUX

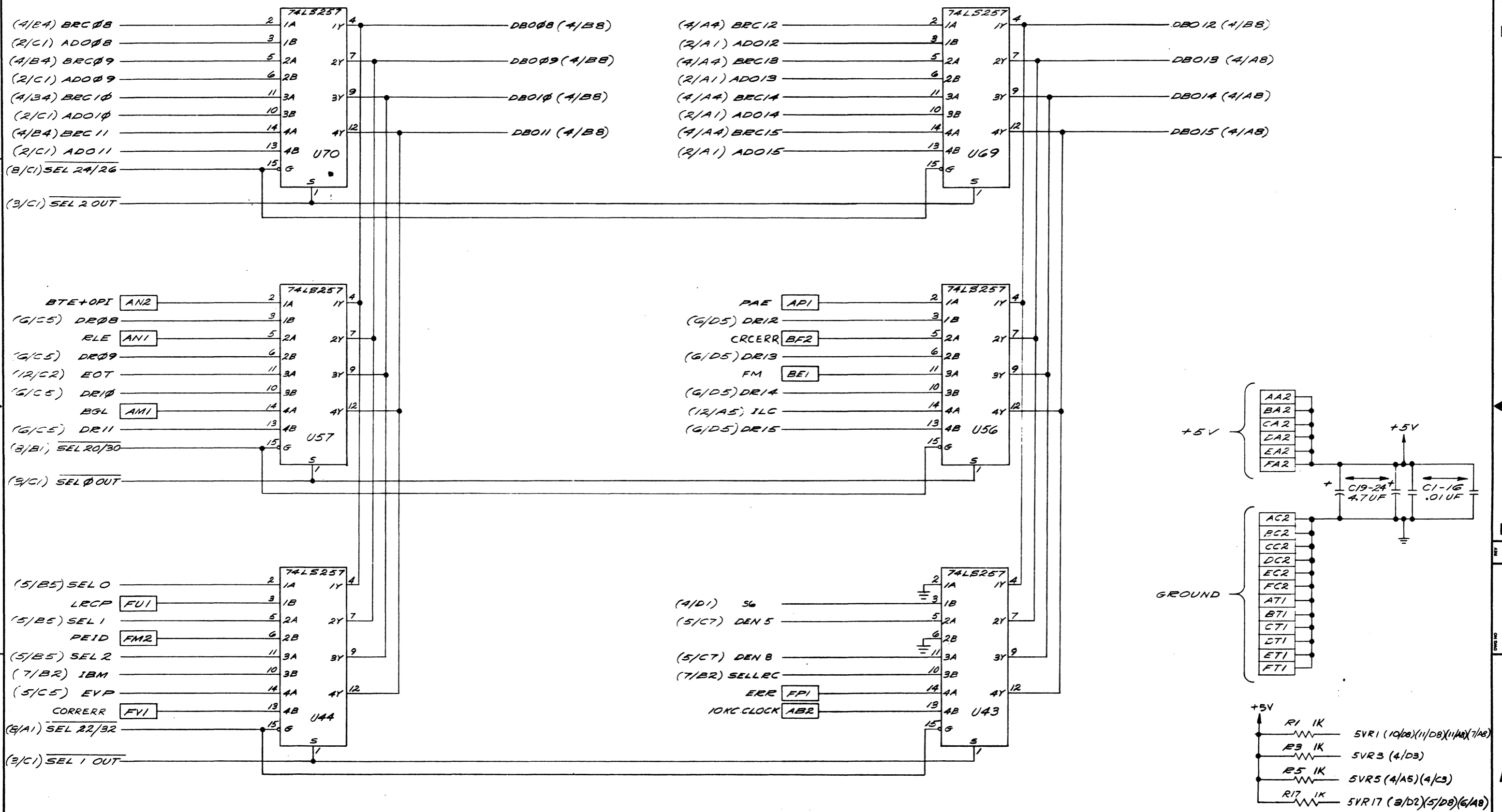


SIZE	CODE IDENT NO.	DWG NO.
D	52648	SDT01710
SCALE: —	REV C	SHEET 3 OF 12

The information herein is the property of PLESSEY MICROSYSTEMS. It is not to be reproduced or used in any manner without the express written permission of PLESSEY MICROSYSTEMS.

HIGH BYTE DATA MUX

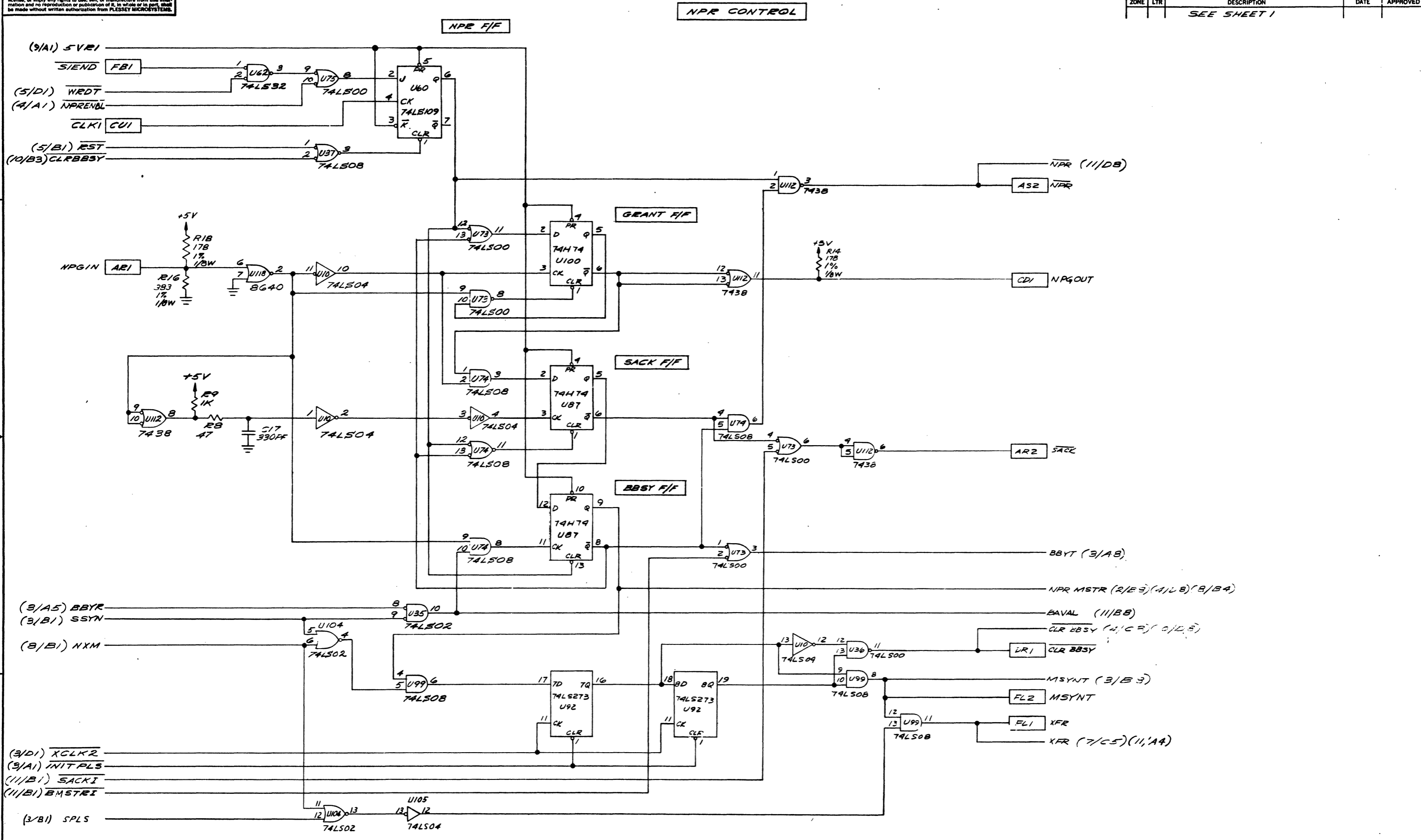
ZONE		LTR		DESCRIPTION	DATE	APPROVED
				SEE SHEET 1		



SIZE	CODE IDENT NO.	DWG NO.
D	52648	SD 70170
SCALE: -	REV C	SHEET 9 OF 12
DISTR NO.		

The information hereon is the property of PLESSEY MICROSYSTEMS. Transmittal receipt or possession of the information does not confer, license, or imply any rights to use, sell, or manufacture from this information and no reproduction or publication of it, in whole or in part, shall be made without written authorization from PLESSEY MICROSYSTEMS.

REVISIONS				
ZONE	LTR	DESCRIPTION	DATE	APPROVED
		SEE SHEET 1		

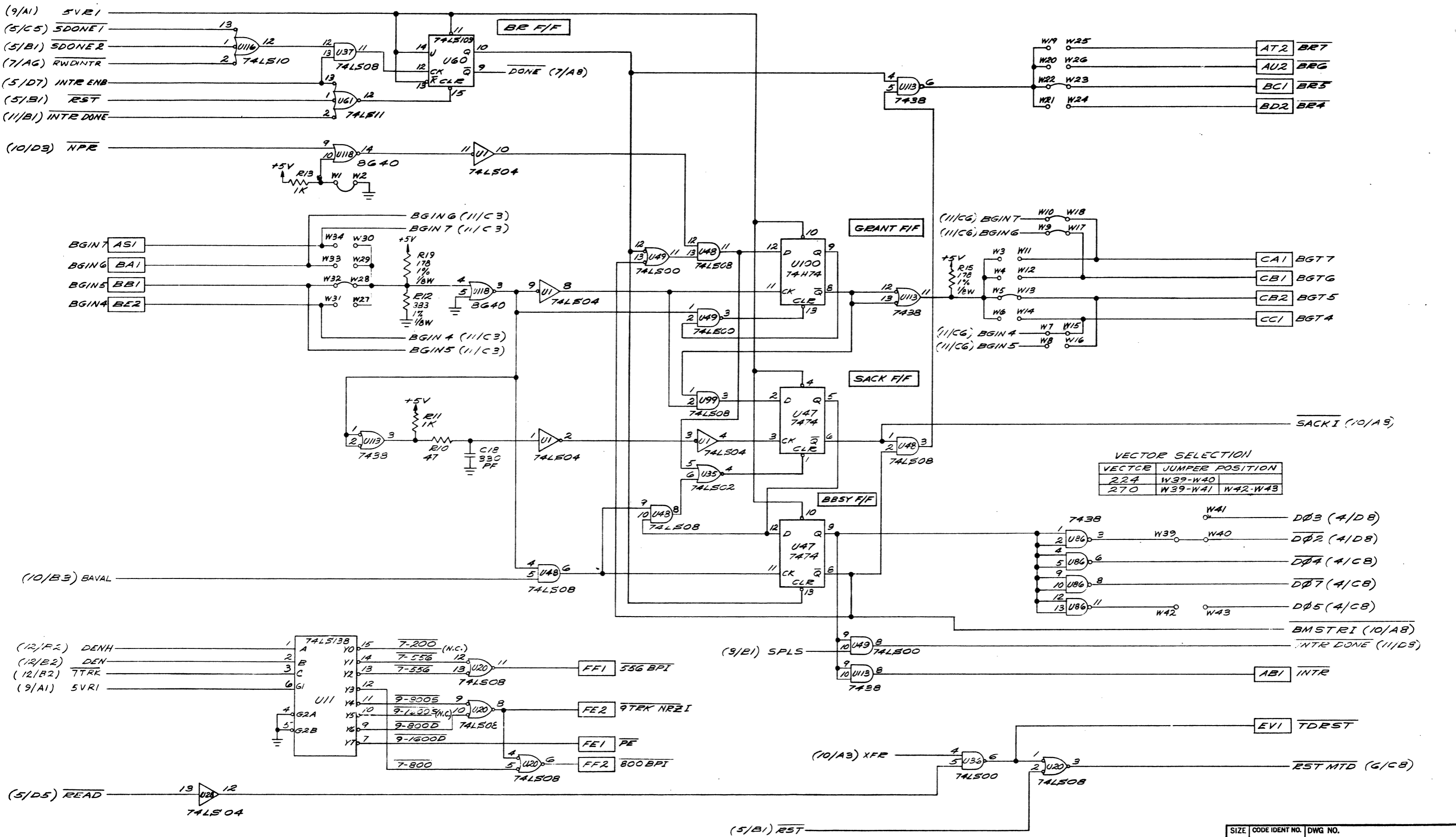


SIZE	CODE IDENT NO.	DWG NO.
D	52648	SD701710
SCALE: -	REV C	SHEET 10 OF 12
		DISTR NO.

The information hereon is the property of PLESSEY MICROSYSTEMS. Transmittal receipt or possession of the information does not constitute, license, or imply any rights to use, sell, or manufacture from this information and no reproduction or publication of it, in whole or in part, shall be made without written authorization from PLESSEY MICROSYSTEMS.

INTERRUPT CONTROL

REVISIONS				
ZONE	LTR	DESCRIPTION	DATE	APPROVED
		SEE SHEET 1		



VECTOR SELECTION

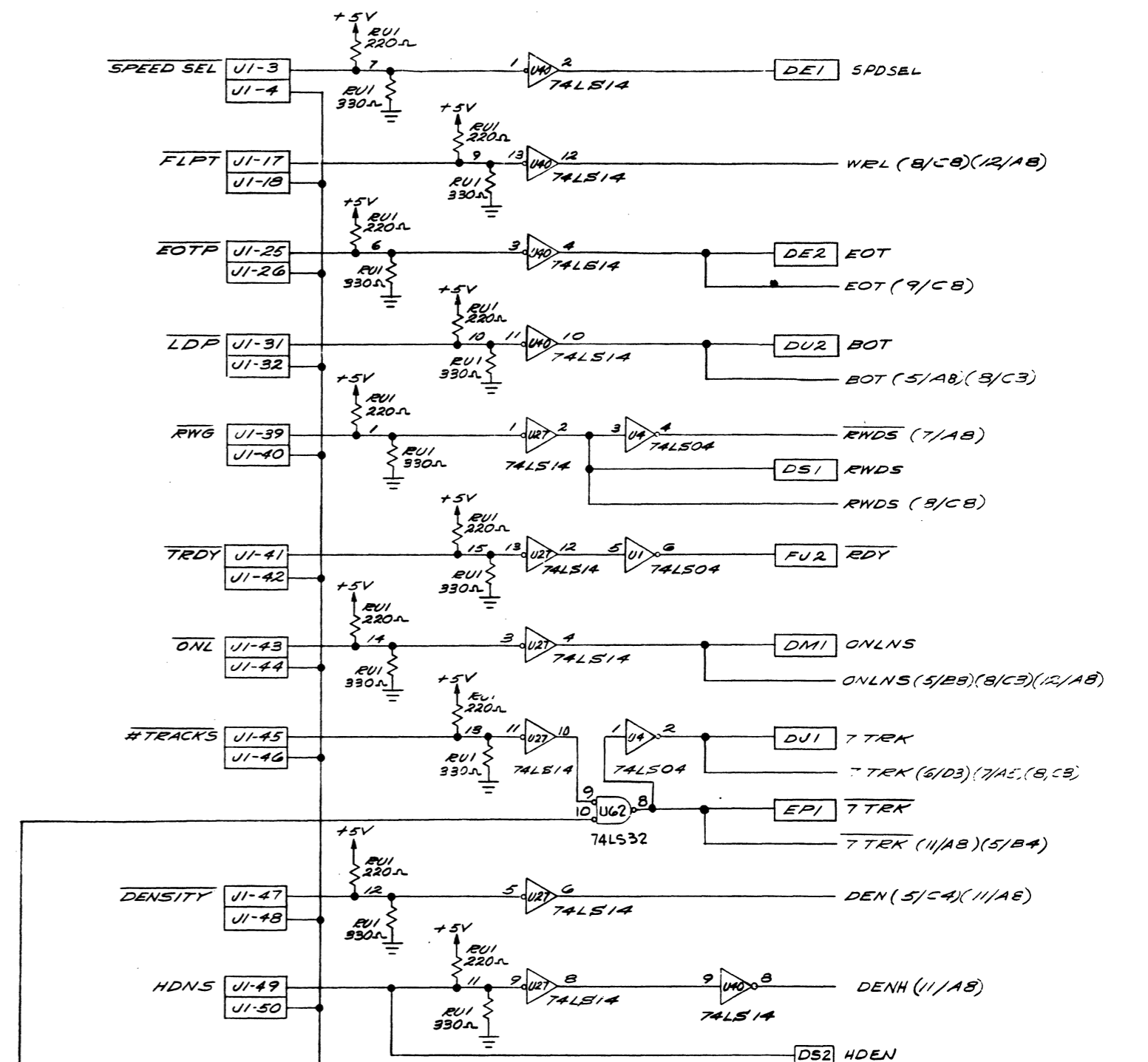
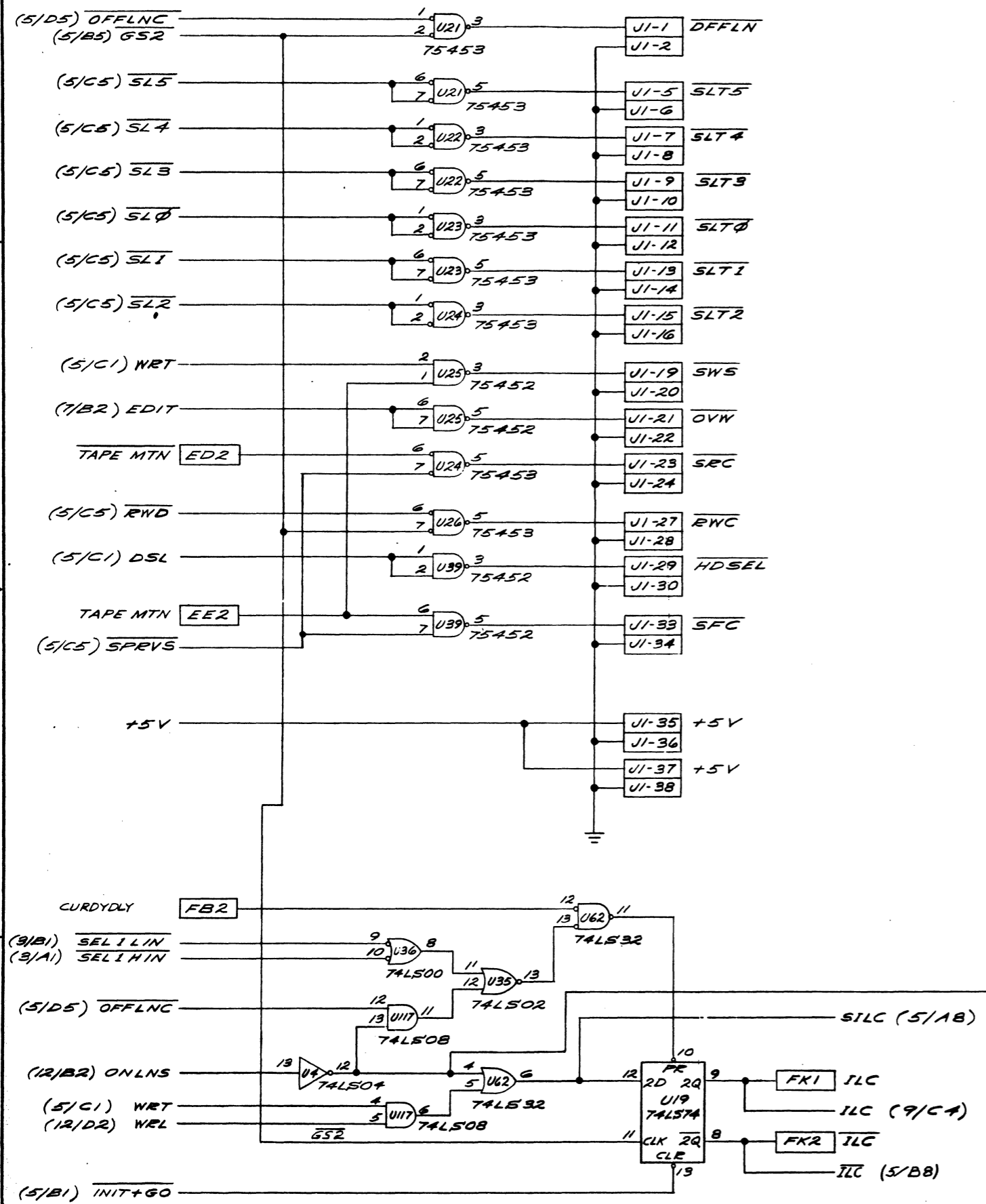
VECTOR	JUMPER POSITION
224	W39-W40
270	W39-W41 W42-W43

SIZE	CODE IDENT NO.	DWG NO.
D	52648	SD701710
SCALE: —	REV C	SHEET 11 OF 12
		DISTR NO.

The information herein is the property of PLESSEY MICROSYSTEMS. Transmittal receipt or possession of the information does not imply, license, or imply any rights to use, sell, or manufacture from this information and no reproduction or publication of it, in whole or in part, shall be made without written authorization from PLESSEY MICROSYSTEMS.

DRIVE CONTROL CONNECTOR

REVISIONS				
ZONE	LTR	DESCRIPTION	DATE	APPROVED
		SEE SHEET 1		



SIZE	CODE IDENT NO.	DWG NO.
D	52648	SD701710
SCALE: —	REV C	SHEET 12 OF 12
		DISTR NO.

PARTS LIST	Plessey Peripheral Systems	PREPARED BY	R. RHYTTINEN	1-22-79	PARTS LIST NO. PL 703290-100	REV LTR A
		CHECKED BY	L. Junkis	3-8-79		
		RESP ENG	L. Junkis	3/8/79		
		APPRV	D. S. ...	3-8-79		
		DOC CONTROL	...	3-9-79		
BOARD ASSEMBLY UNIBUS CONTROL PM-TC11		CODE IDENT NO.	52648	REV	1231570	SH 1 OF 7
		MODEL NO.	PM-TC11			

LTR	DESCRIPTION	DATE	APPROVED	LTR	DESCRIPTION	DATE	APPROVED
A	REL TO PROD PER ED 3104	6-20-79	[Signature]				
PRODUCTION RELEASE							

REV STATUS OF SHEETS	REV LTR	A	A	A	A	A	A						
	SHEET	1	2	3	4	5	6	7	8	9	10		

PARTS LIST	Plessey Peripheral Systems	CODE IDENT NO.	52648	PARTS LIST NO.	PL 703290-100	SH 2	REV LTR	A
		CROSS INDEX OF REFERENCE DESIGNATIONS TO FIND NO.						

REFERENCE DESIGNATION	F I N O.	REFERENCE DESIGNATION	F I N O.	REFERENCE DESIGNATION	F I N O.	REFERENCE DESIGNATION	F I N O.
U29,29,39,43,77,103,115,119	6	U32,33,45,46,54	26	R14,15,18,19	45		
U11,106	7	U108	27	R6	46		
U23,25,30,40,92,102,107	8	U26,95	28	U120	47		
U6,21,31,42,52,69,78,101,105,127	9	U47,48,49,50,60,61,62,63,73,74,75,76	29	C5,8,13 C27 THRU 32	48 49		
U20,81,118	10	U104	30	C1 THRU 4,6,7,9 THRU 17,19 THRU 26	50		
U22,57,70,91	11	U80	31				
U2,19	12	U5,38,89	32		51		
U27	13	U3	33	J1	52		
U53,93	14	U99,166,90	34		53		
U37	15	U41	35	SW1	54		
U82,99	16	U8,110,111,112,113,121,123,124,125,126	36	SW2	55		
U4,114	17						
U55,117	18	U12 THRU 15,17	37				
U68	19	U9	38				
U56	20	U16,18	39				
U10	21	RU2,3	40				
U28,34,35,36,65,116	22	RU1	41				
U83,89,96,109,122	23	R1,2,3,4,5,7,9,11,13	42				
U7,85,86,87,88,97,98,99,100	24	R12,16	43				
U1,58,59,67,71,72,79	25	R8,10	44				

PARTS LIST	Plessey Microsystems	CODE IDENT NO.	52648	PARTS LIST NO.	PL 703290-100	SH 3	REV LTR	A	
		QTY REQD		PART OR IDENTIFYING NO.		NOMENCLATURE OR DESCRIPTION		SPECIFICATION	

QTY REQD	PART OR IDENTIFYING NO.	NOMENCLATURE OR DESCRIPTION	SPECIFICATION	CODE IDENT NO.	ZONE	F I N O.	S Y M	C/I USAGE
1	703289-001	F.W.B./UNIBUS CONTROL PM-TC 11				1		
2	701617-001	HANDLE-EXTRACTOR				2		
2	700331-002	SPACER-HANDLE MOUNT				3		
1	701618-001	STIFFENER				4		
2	701688-001	SUPPORT, HANDLE				5		
8	SN74LS00	I.C./QUAD 2-INPUT POS-NAND GATES	T.1.			6		
2	SN74LS02	I.C./QUAD 2-INPUT POS-NOR GATES	T.1.			7		
7	SN74LS04	I.C./HEX INVERTERS	T.1.			8		
10	SN74LS08	I.C./QUAD 2-INPUT POS-AND GATES	T.1.			9		
3	SN74LS10	I.C./TRIPLE 3-INPUT POS-NAND GATES	T.1.			10		
4	SN74LS11	I.C./TRIPLE 3-INPUT POS-AND GATES	T.1.			11		
2	SN74LS14	I.C./HEX SCHMITT-TRIGGER INVERTERS	T.1.			12		
1	SN74LS27	I.C./TRIPLE 3-INPUT POS-NOR GATES	T.1.			13		

PARTS LIST	Plessey Microsystems	CODE IDENT NO.	52648	PARTS LIST NO.	PL 703290-100	SH 4	REV LTR	A
		CROSS INDEX OF REFERENCE DESIGNATIONS TO FIND NO.						

QTY REQD	PART OR IDENTIFYING NO.	NOMENCLATURE OR DESCRIPTION	SPECIFICATION	CODE IDENT NO.	ZONE	F I N O.	S Y M	C/I USAGE
2	SN74LS32	I.C./QUAD 2-INPUT POS-OR GATES	T.1.			14		
1	SN74LS244	I.C./OCTAL BUFFER/LINE DRIVER/LINE RECEIVER	T.1.			15		
2	DM8136	I.C./6-BIT UNIFIED BUS COMPARATOR	NATIONAL			16		
2	136000-038	I.C./QUAD 2-INPUT POS-NAND BUFFERS W/OC				17		
2	SN74LS51	I.C./DUAL 2-WIDE 2-INPUT AND-OR-INVERT GATES	T.1.			18		
1	SN74LS86	I.C./QUAD 2-INPUT EXCLUSIVE-OR GATES	T.1.			19		
1	SN74LS158	I.C./QUAD 2-TO 1-LINE DATA SELECTORS/MULTIPLEXERS	T.1.			20		
1	SN74LS85	I.C./4-BIT MAGNITUDE COMPARATOR	T.1.			21		
6	SN74LS138	I.C./DECODER/DEMUTIPLEXERS	T.1.			22		
5	SN74LS157	I.C./QUAD 2-LINE TO LINE DATA SEL/MULTIPLEXERS	T.1.			23		
9	SN74LS161	I.C./SYNCHRONOUS 4-BIT COUNTERS	T.1.			24		
7	SN74LS175	I.C./HEX/QUAD D-TYPE F/F W/CLEAR	T.1.			25		
5	SN74LS153	I.C./DUAL 4 LINES TO 1 LINE DATA SEL/MULTIPLEXERS	T.1.			26		

The information hereon is the property of PLESSEY PERIPHERAL SYS. Transmittal receipt or possession of the information does not imply license, or imply any rights to use, sell, or manufacture from this information and no reproduction or publication of it, in whole or in part, shall be made without written authorization from PLESSEY PERIPHERAL SYS.

Form 000087

SIZE **B** CODE IDENT NO. 52648 DWG NO. PL 703290-100 SHEET 1 of 2 REV A SCALE

PARTS LIST		Plessey Microsystems		CODE IDENT NO.	PARTS LIST NO.	SH	REV LTR						
				52648	PL703290-100	57	A						
QTY REQD	PART OR IDENTIFYING NO.	NOMENCLATURE OR DESCRIPTION	SPECIFICATION	CODE IDENT NO.	ZONE	F I N D	S Y M	C/I USAGE					
								C/I CODE	INV ON HAND	P A R	UNIT COST		
1	SN74LS273	I.C./OCTAL D-TYPE FLIP/FLOP W/CLEAR	T.1.			27							
2	SN74LS109	I.C./DUAL J-K POS-EDGE-TRIG. FF W/PRESET AND CLEAR	T.1.			28							
12	SN74LS257	I.C./QUADRUPLE 2-LINE-TO-1-LINE DATA SEL/MULTIPLEXERS	T.1.			29							
1	SN74376	I.C./QUADRUPLE J-K F/F	T.1.			30							
1	SN74123	I.C./DUAL RETRIG MONO MULTI W/CLEAR	T.1.			31							
3	SN74A74	I.C./DUAL D-TYPE POS EDG-TRIG F/F W/PRESET/CLEAR	T.1.			32							
1	SN7474	I.C./DUAL D-TYPE POS EDG-TRIG F/F W/PRESET/CLEAR	T.1.			33							
3	SN74LS14A	I.C./DUAL D-TYPE POS EDG-TRIG F/F W/PRESET/CLEAR	T.1.			34							
1	SN74LS174	I.C./HEX/QUAD D-TYPE F/F W/CLEAR	T.1.			35							
10	DS8641	I.C./QUAD UNIFIED BUS TRANSCEIVER	NATIONAL			36							
5	SN75453B	I.C./DUAL PERIPHERAL POS OR DRIVER	T.1.			37							
1	136021-381	I.C./QUAD NOR UNIFIED BUS RECEIVER				38							
2	SN75452B	I.C./DUAL PERIPHERAL POS-NAND DRIVER	T.1.			39							

PARTS LIST		Plessey Microsystems		CODE IDENT NO.	PARTS LIST NO.	SH	REV LTR						
				52648	PL703290-100	6	A						
QTY REQD	PART OR IDENTIFYING NO.	NOMENCLATURE OR DESCRIPTION	SPECIFICATION	CODE IDENT NO.	ZONE	F I N D	S Y M	C/I USAGE					
								C/I CODE	INV ON HAND	P A R	UNIT COST		
2	761-1-R4.7K	RESISTOR MODULE / 4.7K	CTS			40							
1	898-5-R220/330	RESISTOR MODULE/220/330Ω	BECKMAN			41							
9	RC07GF 102J	RESISTOR/1K, ±5%, 1/4W	MIL-R-11			42							
2	RN55D 3830F	RESISTOR / 383 Ω, ±1%, 1/8W	MIL-R-10509			43							
2	RC07GF 470J	RESISTOR/47Ω, ±5%, 1/4W	MIL-R-11			44							
4	RN55D 1780F	RESISTOR/178 Ω, ±1%, 1/8W	MIL-R-10509			45							
1	RC07GF 103J	RESISTOR/10K, ±5%, 1/4W	MIL-R-11			46							
1	SN74LS37	I.C./QUAD 2-INPUT POS-NAND BUFFER	T.1.			47							
3	CD15FD 331N03	CAPACITOR/330PF, ±5%	CORNELL DUBILIER			48							
6	150D475X 0020B2	CAPACITOR/4.7UF, 20V	SPRAGUE			49							
23	CGA1032D2	CAPACITOR / .01 UF	UNITRODE			50							
						51							
1	3433-1002	CONNECTOR, 50 PIN	3M			52							

PARTS LIST		Plessey Peripheral Systems		CODE IDENT NO.	PARTS LIST NO.	SH	REV LTR						
				52648	PL703290-100	7	A						
QTY REQD	PART OR IDENTIFYING NO.	NOMENCLATURE OR DESCRIPTION	SPECIFICATION	CODE IDENT NO.	ZONE	F I N D	S Y M	C/I USAGE					
								C/I CODE	INV ON HAND	P A R	UNIT COST		
1	76RSB085	SWITCH/SPST, 8 POS, DIP, SEALED	GRAYHILL			53							
1	76RSB105	SWITCH/SPST, 10 POS, DIP, SEALED	GRAYHILL			54							
						55							
						56							
5	M551951-3	SCREW/2-56 X 1/4LG, PAN HD				57							
2	B0281-013	SPRING WASHER	SPEC			58							
6	SE-310 / NICKEL PLATE	RIVET, TUBULAR	USM			59							
						60							
						61							
						62							
REF	SN63 WRAP 3	SOLDER				63							
REF	SD703290	SCHEMATIC DIAGRAM				64							
REF	T6703290	TEST SPECIFICATION				65							

The information hereon is the property of PLESSEY PERIPHERAL SYS. Transmittal receipt or possession of the information does not imply, license, or imply any rights to use, sell, or manufacture from this information and no reproduction or publication of it, in whole or in part, shall be made without written authorization from PLESSEY PERIPHERAL SYS.

SIZE **B** CODE IDENT NO. 52648 DWG NO. PL 703290-100
 SCALE REV A SHEET 2 of 2

The information herein is the property of PLESSEY MICROSYSTEMS. Transmittal receipt or possession of the information does not constitute, license, or imply any rights to use, sell, or manufacture from this information and no reproduction or publication of it, in whole or in part, shall be made without written authorization from PLESSEY MICROSYSTEMS.

REVISIONS				
ZONE	LTR	DESCRIPTION	DATE	APPROVED
A		REL TO PROD PER EO 3104	6-20-79	[Signature]

LAST REFERENCE DESIGNATION USED	
RESISTOR	R19
CAPACITOR	C32
RESISTOR MODULE	RU3
INTEGRATED CIRCUIT	U127
SWITCH	SW2

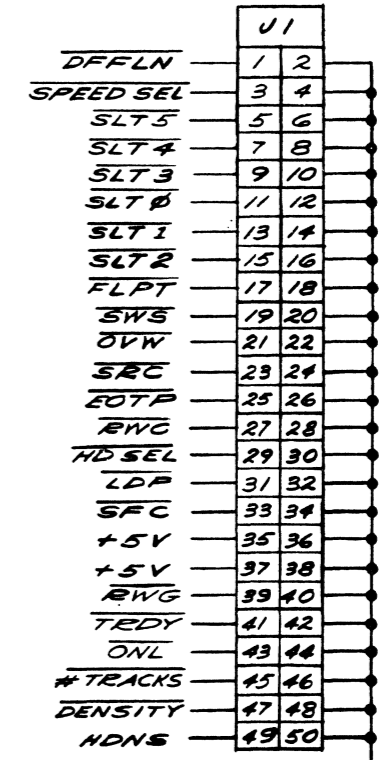
REFERENCE DESIGNATION NOT USED	
INT CKT	U51.64
RESISTOR	R17

REF DESIG.	GATES USED PER TOTAL	PART NUMBER
U1	5/6	74LS14
U5	1/2	74H74
U11	3/4	74LS02
U15	1/2	75453
U25	5/6	74LS04
U27	2/3	74LS27
U38	1/2	74H74
U42	1/4	74LS08
U107	5/6	74LS04
U57	2/3	74LS11
U68	2/4	74LS86
U70	2/3	74LS11
U80	1/2	74123
U95	1/2	74LS09
U120	3/4	74LS37
U127	1/4	74LS08

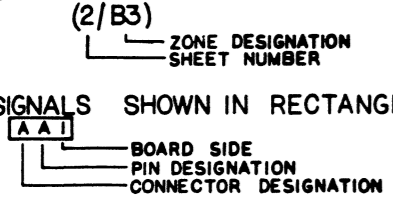
SIDE 2	SIDE 1	CONNECTOR A	
		COMPONENT SIDE	CONNECTION SIDE
+5V	A	INIT	
10KC CLOCK	B	INTR	
GND	C	D00	
D01	D	D02	
D03	E	D04	
D05	F	D06	
D07	H	D08	
D09	J	D10	
D11	K	D12	
D13	L	D14	
D15	M	BGL	
BTE+OPI	N	RLE	
BBSY	P	PAE	
SACK	R	NPGIN	
NPR	S	BGIN T	
BRT	T	GND	
BEG	U	SDWN	
LRC7	V	LRC0	

SIDE 2	SIDE 1	CONNECTOR C	
		COMPONENT SIDE	CONNECTION SIDE
+5V	A	BGT 7	
BGT 5	B	BGT 6	
GND	C	BGT 4	
	D	NP4OUT	
	E	SPARE	
WRTDTA0	F		
	H	WRTDTA2	
WRTDTA3	J		
STOP	K	FOD6	
FOD5	L	FOD2	
FOD1	M		
FOD7	N	FOD4	
FOD3	P	FOD0	
PACK	R	AD000	
	S		
AD00	T	GND	
OVERFLOW	U	CLKI	
RCDT	V	LAST BYTE	

SIDE 2	SIDE 1	CONNECTOR E	
		COMPONENT SIDE	CONNECTION SIDE
+5V	A	IBM	
	B	EDIT	
GND	C		
TAPMTN	D	TPRDY	
TAPMTN	E	XCLK	
EVP	F	PACK	
	H	SPCLK	
EORD	J	EORD	
FODP	K	DO IT	
START	L	SEL LRC	
WAIT	M	WRTDTA4	
WRTDTA7	N	WRTDTA5	
RDFIFORD	P	7TRK	
TPRDY	R	WERL + WEOF	
WRT	S	WEOF	
WEDT	T	GND	
SPEVS	U		
EDCHKCHAR	V	FDRST	



- SWITCH POSITION: OPEN=ONE, CLOSED=ZERO.
- CAPACITOR VALUES ARE MICROFARADS.
- RESISTOR VALUES ARE IN OHMS, ±5%, 1/4 W
- DESIGNATIONS SHOWN IN PARENTHESIS INDICATES WHERE SIGNAL ORIGINATES OR TERMINATES.



FOR ASSEMBLY DRAWING SEE 703290.
 NOTES: UNLESS OTHERWISE SPECIFIED:

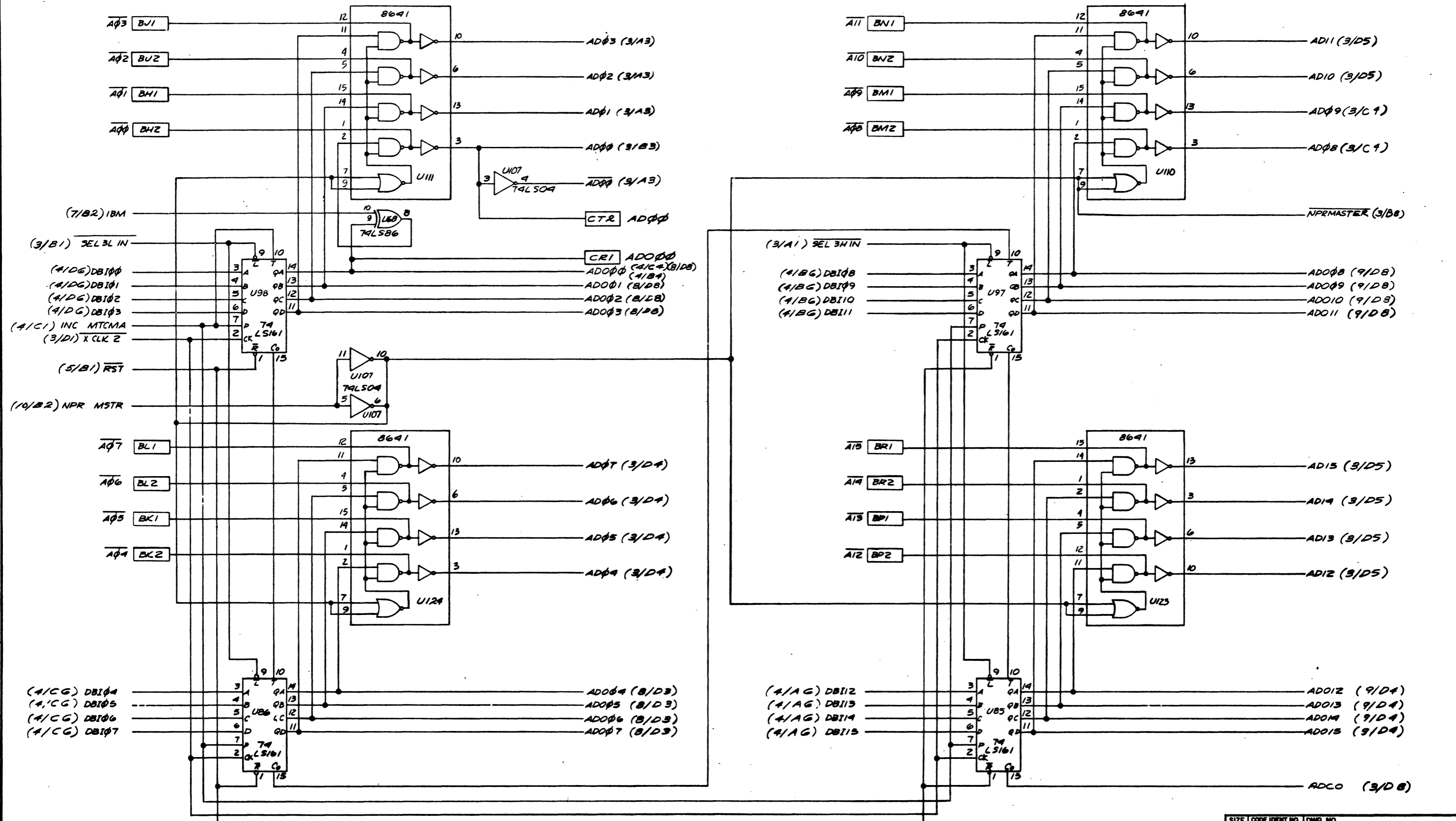
PRODUCTION RELEASE

PART/ASSY NO. & QTY PER ASSY		NOTE PART OR IDENTIFYING NO.		NOMENCLATURE OR DESCRIPTION / MATERIAL		SPEC/SOURCE	CODE IDENT NO.	FIND NO.
PART/ASSY REV LTR		DO NOT SCALE DRAWING		CONTRACT NO.		Plessey Microsystems		
703290-100 PM-7C 11		SCREW THREADS PER HANDBOOK H-88		DRAWN: PHITTINEN 1-22-79		DWG TITLE		
NEXT ASSY USED ON		COUNTERBORE AND SPOTFACE FILLET RADI TO BE AS MAXIMUM		CHECK: [Signature] 3-8-79		SCHEMATIC DIAGRAM		
APPLICATION		REMOVE ALL BURRS AND BREAK SHARP EDGES EQUIVALENT TO 5MR		ENGR		UNIBUS CONTROL		
		ROUNDSNESS OF MACHINED SURFACES PER USAS 48.1		PROJ. ENGR		PM-TC 11		
		STANDARD HOLE TOLERANCE PER AND 800P		PROD. DESIGN		SIZE CODE IDENT NO. DWG NO.		
		TOLERANCES ON .30 IN & .30 IN & .30 IN ANGLES < 90°		OTHER APPROVALS		D 52648 SD703290		
		INTERPRET DIMENSIONS AND TOLERANCES PER USAS 114.5				SCALE: 1		
		DIMENSIONS ARE IN INCHES AND APPLY AFTER HEAT TREAT AND FINISH UNLESS OTHERWISE SPECIFIED				SHEET 1 OF 12		

The information herein is the property of PLESSEY MICROSYSTEMS. Transmittal receipt or possession of this information does not constitute, license, or imply any rights to use, sell, or manufacture from this information and no reproduction or publication of it, in whole or in part, shall be made without written authorization from PLESSEY MICROSYSTEMS.

CURRENT MEMORY ADDRESS REGISTER
MTCMA

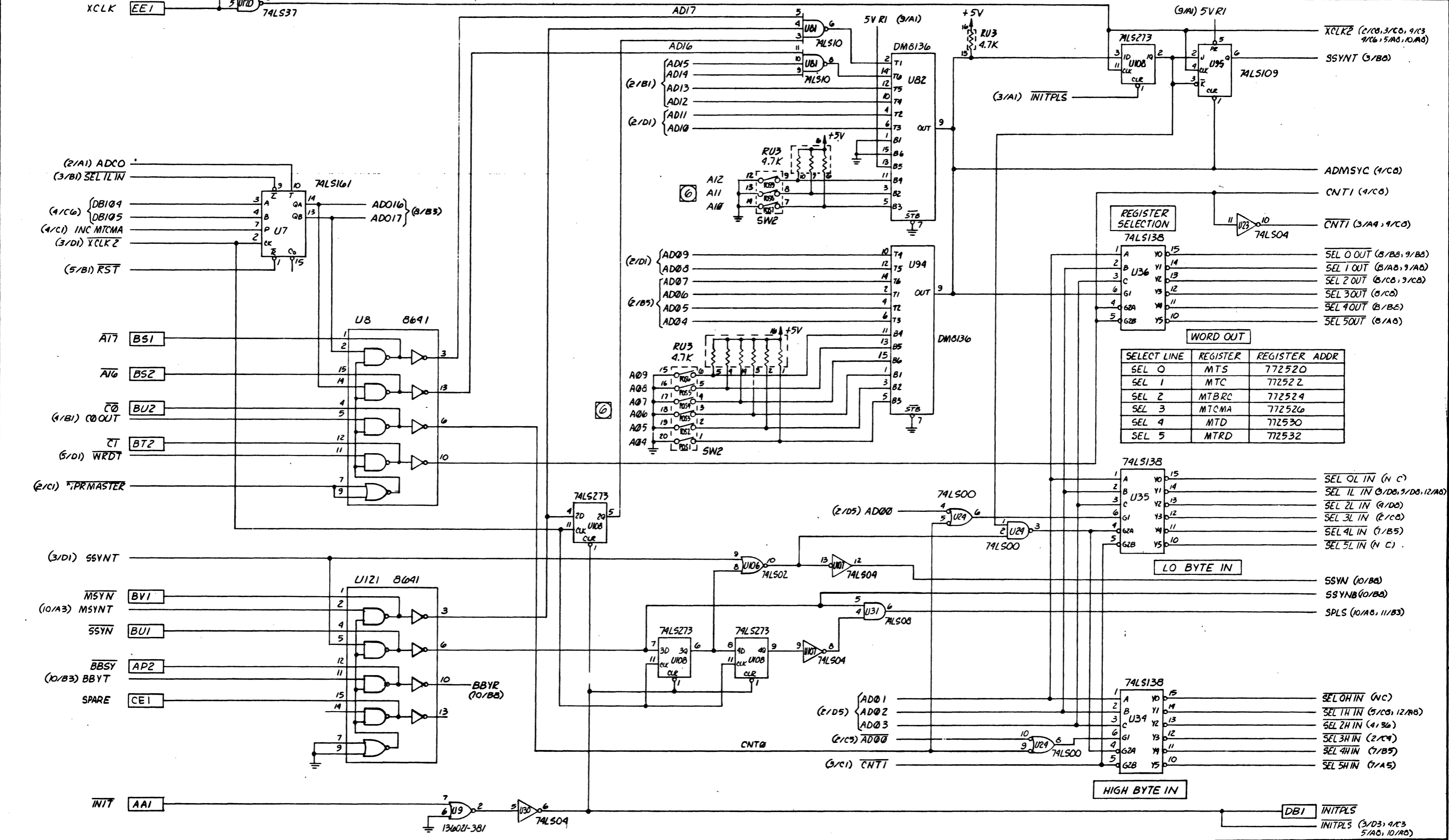
REVISIONS				
ZONE	LTR	DESCRIPTION	DATE	APPROVED
		SEE SHEET 1		



SIZE	CODE IDENT NO.	DWG NO.
D	52648	SD703290
SCALE: -	REV A	SHEET 2 OF 12

The information herein is the property of PLESSEY PERIPHERAL SYS. Transmittal receipt or possession of the information does not constitute, license, or imply any rights to use, sell, or manufacture from this information and no reproduction or publication of it, in whole or in part, shall be made without written authorization from PLESSEY PERIPHERAL SYS.

REVISIONS				
ZONE	LTR	DESCRIPTION	DATE	APPROVED
		SEE SHEET 1		



REGISTER SELECTION

SELECT LINE	REGISTER	REGISTER ADDR
SEL 0	MTS	772520
SEL 1	MTC	772522
SEL 2	MTBRC	772524
SEL 3	MTCMA	772526
SEL 4	MTD	772530
SEL 5	MTRD	772532

WORD OUT

SELECT LINE	REGISTER	REGISTER ADDR
SEL 0	OUT	(8/B5, 9/B8)
SEL 1	OUT	(8/A8, 9/A8)
SEL 2	OUT	(8/C8, 9/C8)
SEL 3	OUT	(8/C8)
SEL 4	OUT	(8/B8)
SEL 5	OUT	(8/A8)

LO BYTE IN

SELECT LINE	REGISTER	REGISTER ADDR
SEL 0	IN	(N C)
SEL 1	IN	(8/D8, 9/D8, 12/A8)
SEL 2	IN	(9/D8)
SEL 3	IN	(2/C8)
SEL 4	IN	(7/B5)
SEL 5	IN	(N C)

SSYN

SSYN	(10/B8)
SSYNB	(10/B8)
SPLS	(10/A8, 11/B3)

HIGH BYTE IN

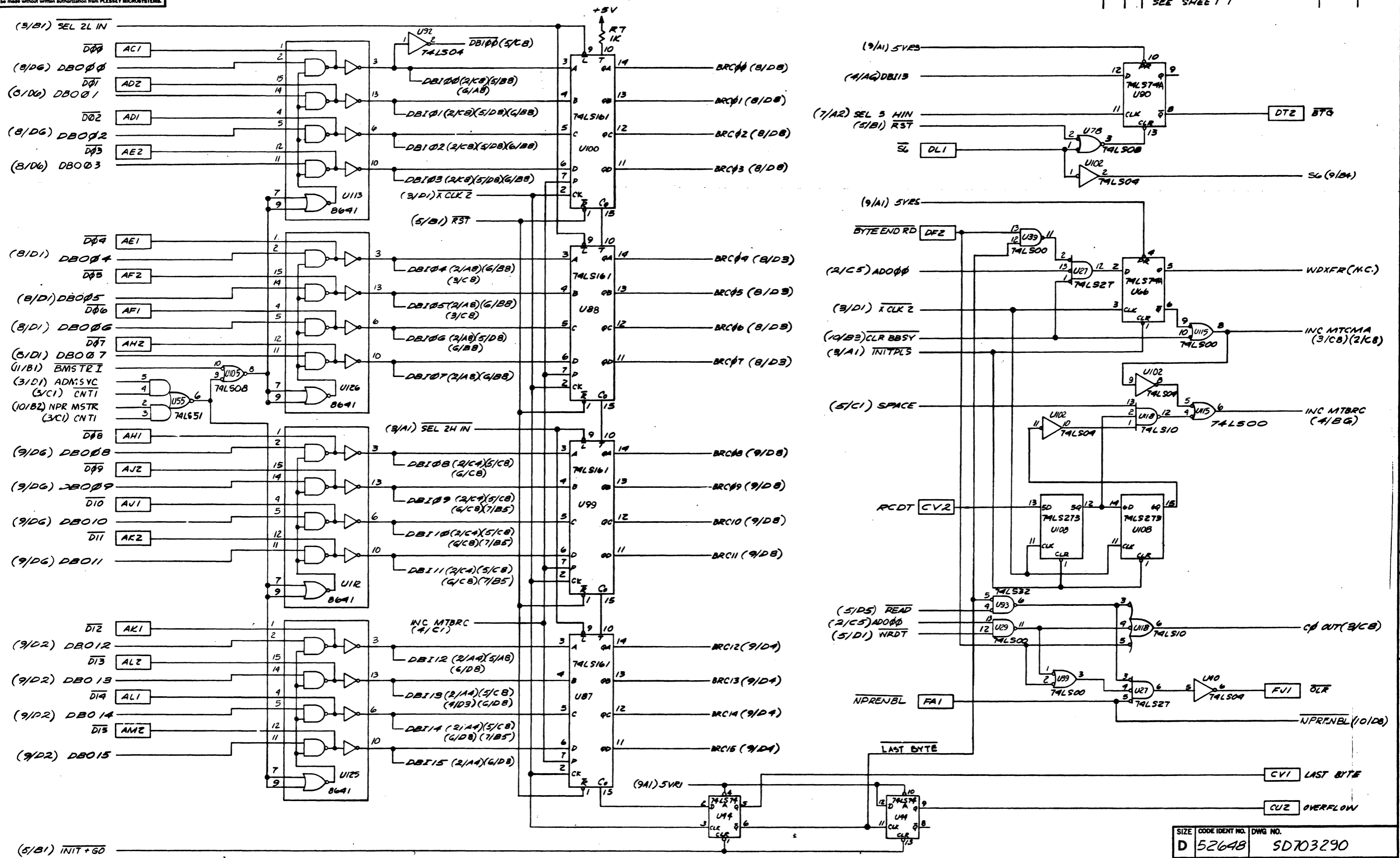
SELECT LINE	REGISTER	REGISTER ADDR
SEL 0	IN	(N C)
SEL 1	IN	(5/C8, 12/A8)
SEL 2	IN	(4/B8)
SEL 3	IN	(2/C8)
SEL 4	IN	(7/B5)
SEL 5	IN	(7/A5)

SIZE	CODE IDENT NO.	DWG NO.
D	52648	SD703290
SCALE	A	SHEET 3 OF 12
DISTR NO.		

The information herein is the property of PLESSEY MICROSYSTEMS. Transmittal receipt or possession of this information does not constitute, in any way, an implied or expressed warranty, license, or authority to use, sell, or manufacture from this information and no reproduction or publication of it, in whole or in part, shall be made without written authorization from PLESSEY MICROSYSTEMS.

BYTE/RECORD COUNTER MTBRC

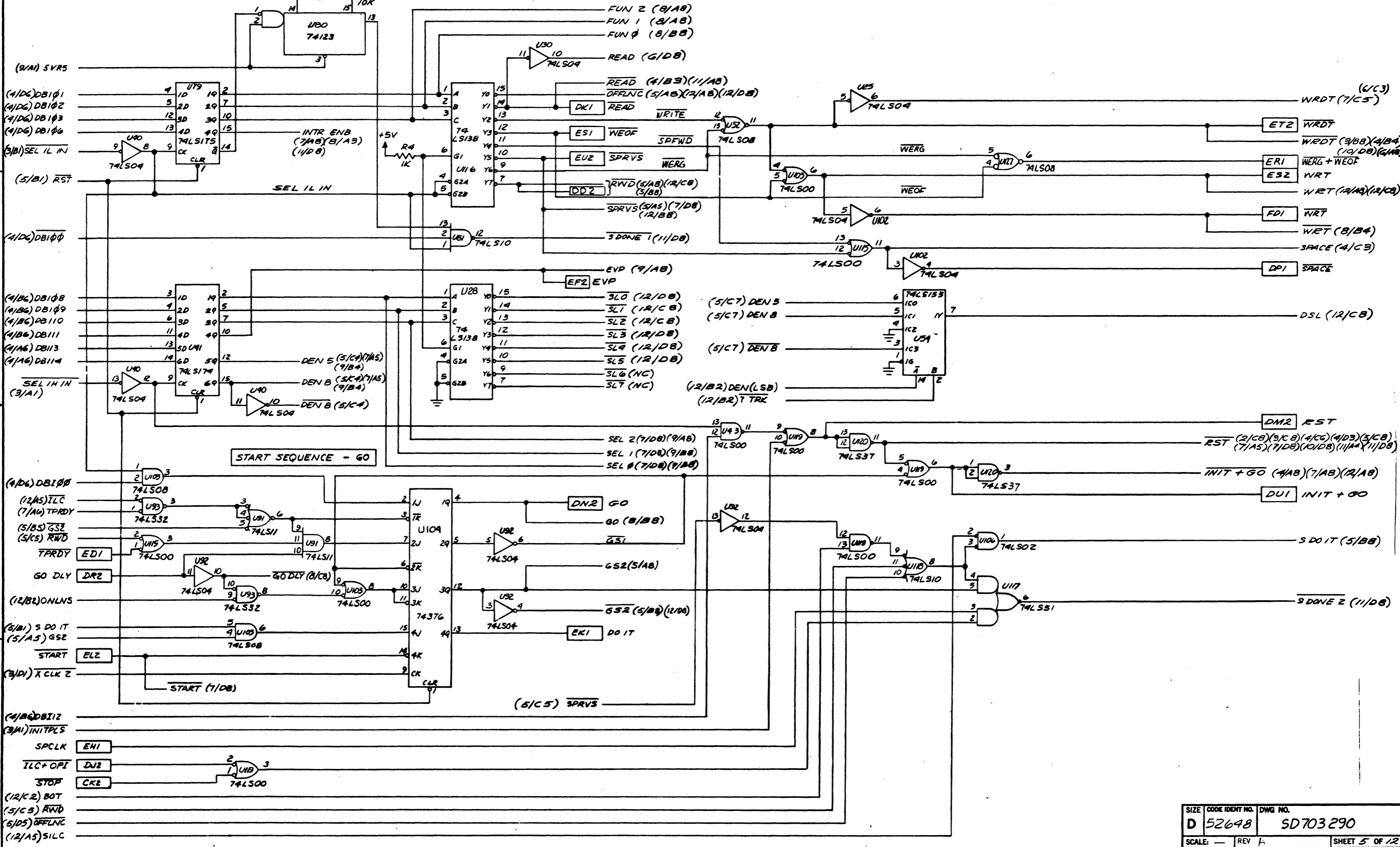
REVISIONS				
ZONE	LTR	DESCRIPTION	DATE	APPROVED
		SEE SHEET 1		



SIZE	CODE IDENT NO.	DWG NO.
D	52648	SD703290
SCALE	REV A	SHEET 4 OF 12
		DISTR NO.

The information herein is the property of PLESSEY MICROSYSTEMS. Transmittal receipt or possession of the information does not constitute, license, or imply any rights to use, sell, or manufacture from this information and no reproduction or publication of it, in whole or in part, shall be made without written authorization from PLESSEY MICROSYSTEMS.

REVISIONS				
ZONE	LTR	DESCRIPTION	DATE	APPROVED
		SEE SHEET 1		

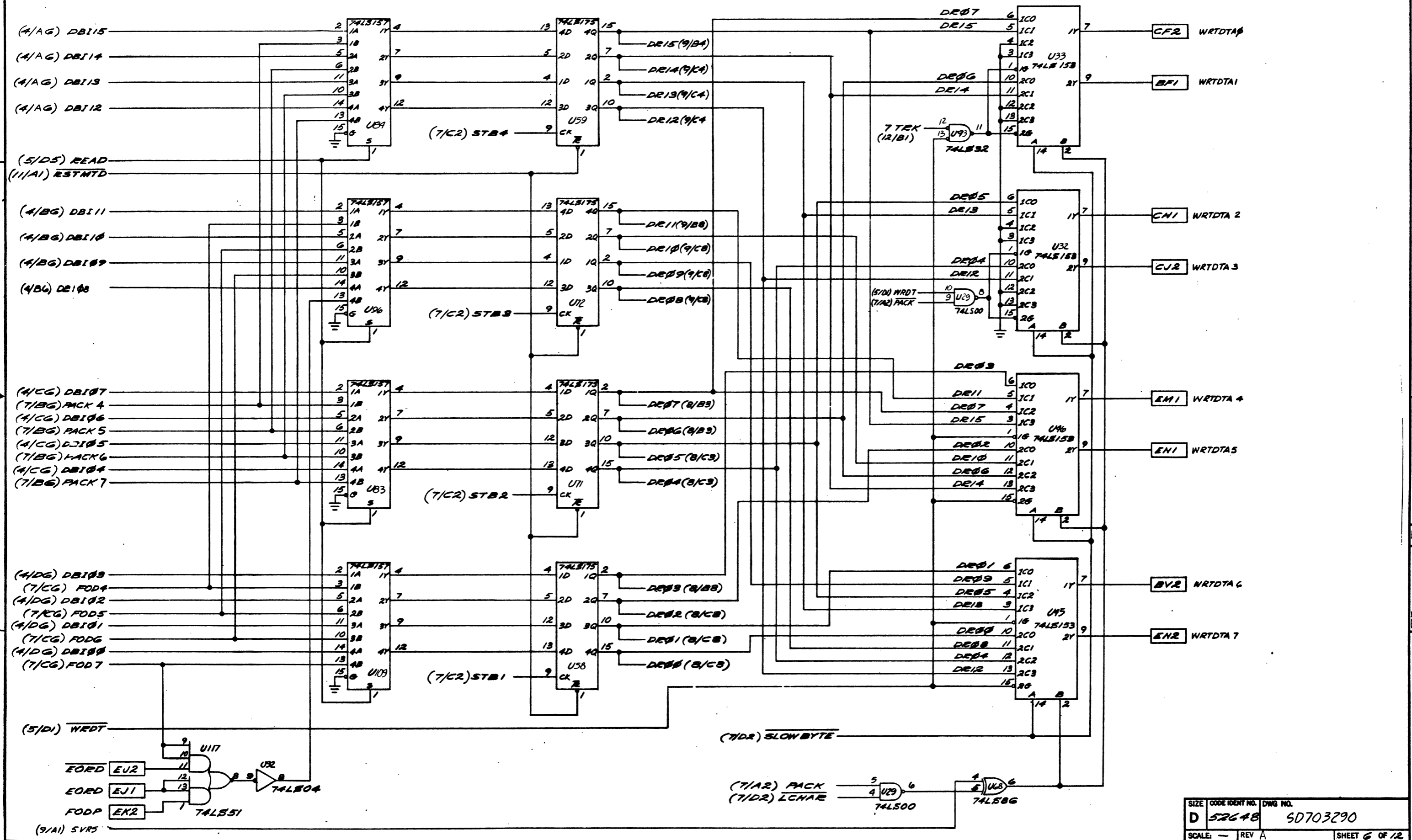


SIZE	CODE IDENT NO.	DWG NO.
D	52648	SD703290
SCALE: —	REV A	SHEET 5 OF 12
		DISTR NO.

The information herein is the property of PLESSEY MICROSYSTEMS. Transmittal receipt or possession of this information does not imply any rights to use, sell, or manufacture from this information and no reproduction or publication of it, in whole or in part, shall be made without written authorization from PLESSEY MICROSYSTEMS.

DATA REGISTER-MTD

REVISIONS				
ZONE	LTR	DESCRIPTION	DATE	APPROVED
		SEE SHEET 1		

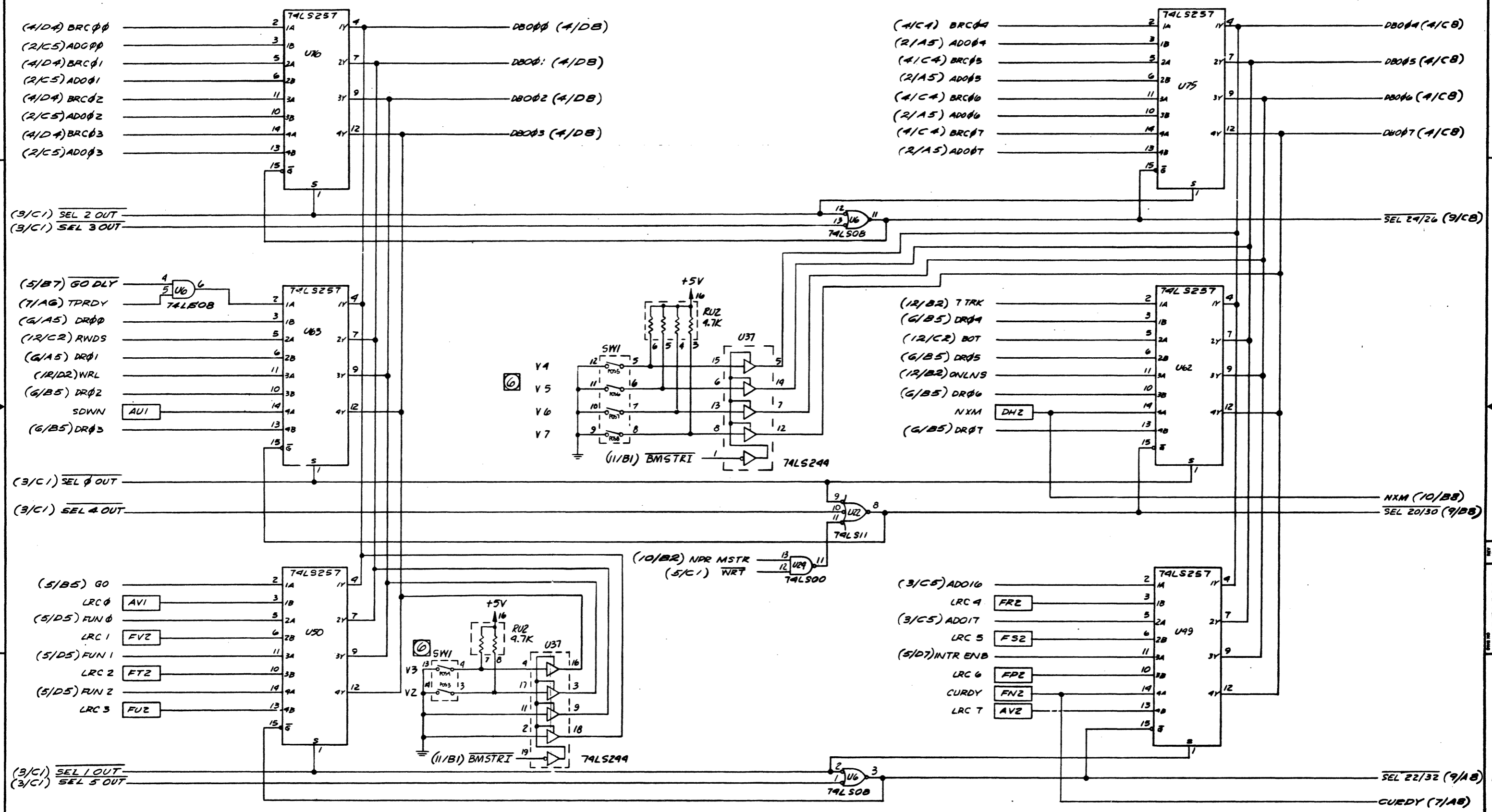


SIZE	CODE IDENT NO.	DWG NO.
D	52648	50703290
SCALE	REV A	SHEET 6 OF 12
DISTR NO.		

The information herein is the property of PLESSEY MICROSYSTEMS. Transmittal receipt or possession of this information does not constitute, license, or imply any rights to use, sell, or manufacture from this information and no reproduction or publication of it, in whole or in part, shall be made without written authorization from PLESSEY MICROSYSTEMS.

REVISIONS				
ZONE	LTR	DESCRIPTION	DATE	APPROVED
		SEE SHEET 1		

LOW BYTE DATA MUX

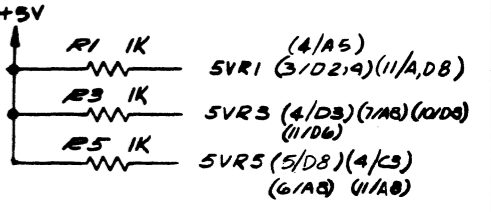
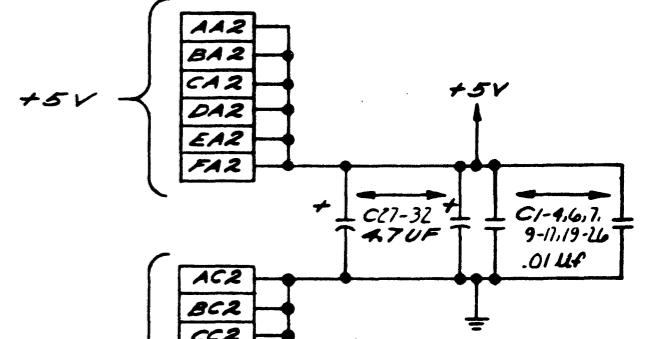
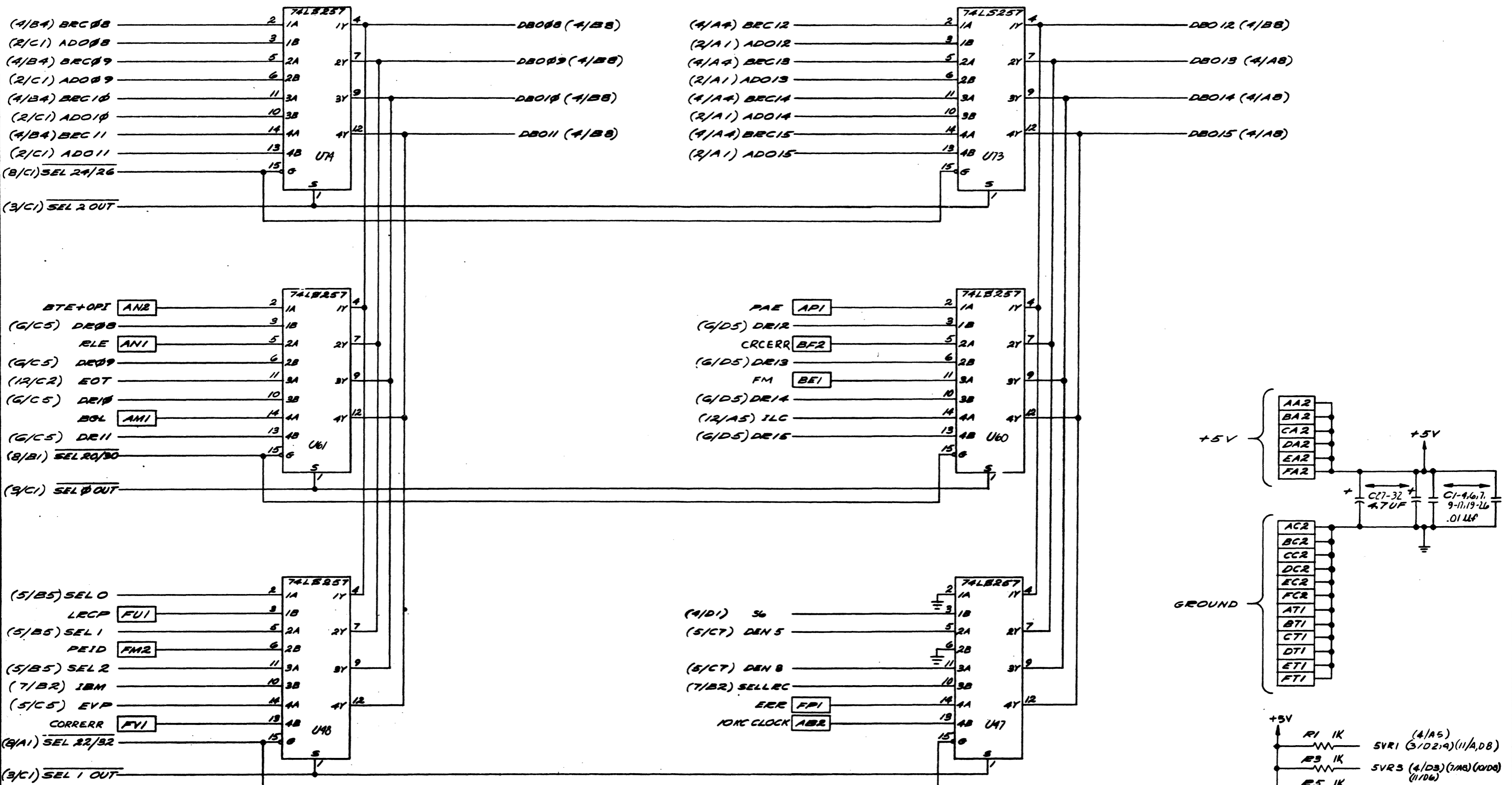


SIZE	CODE IDENT NO.	DWG NO.
D	52648	SD703290
SCALE: —	REV A	SHEET 8 OF 12
		DISTR NO.

The information herein is the property of PLESSEY MICROSYSTEMS. Transmittal receipt or possession of the information does not constitute license, or imply any rights to use, sell, or manufacture from this information and no reproduction or publication of it, in whole or in part, shall be made without written authorization from PLESSEY MICROSYSTEMS.

HIGH BYTE DATA MUX

REVISIONS				
ZONE	LTR	DESCRIPTION	DATE	APPROVED
		SEE SHEET 1		

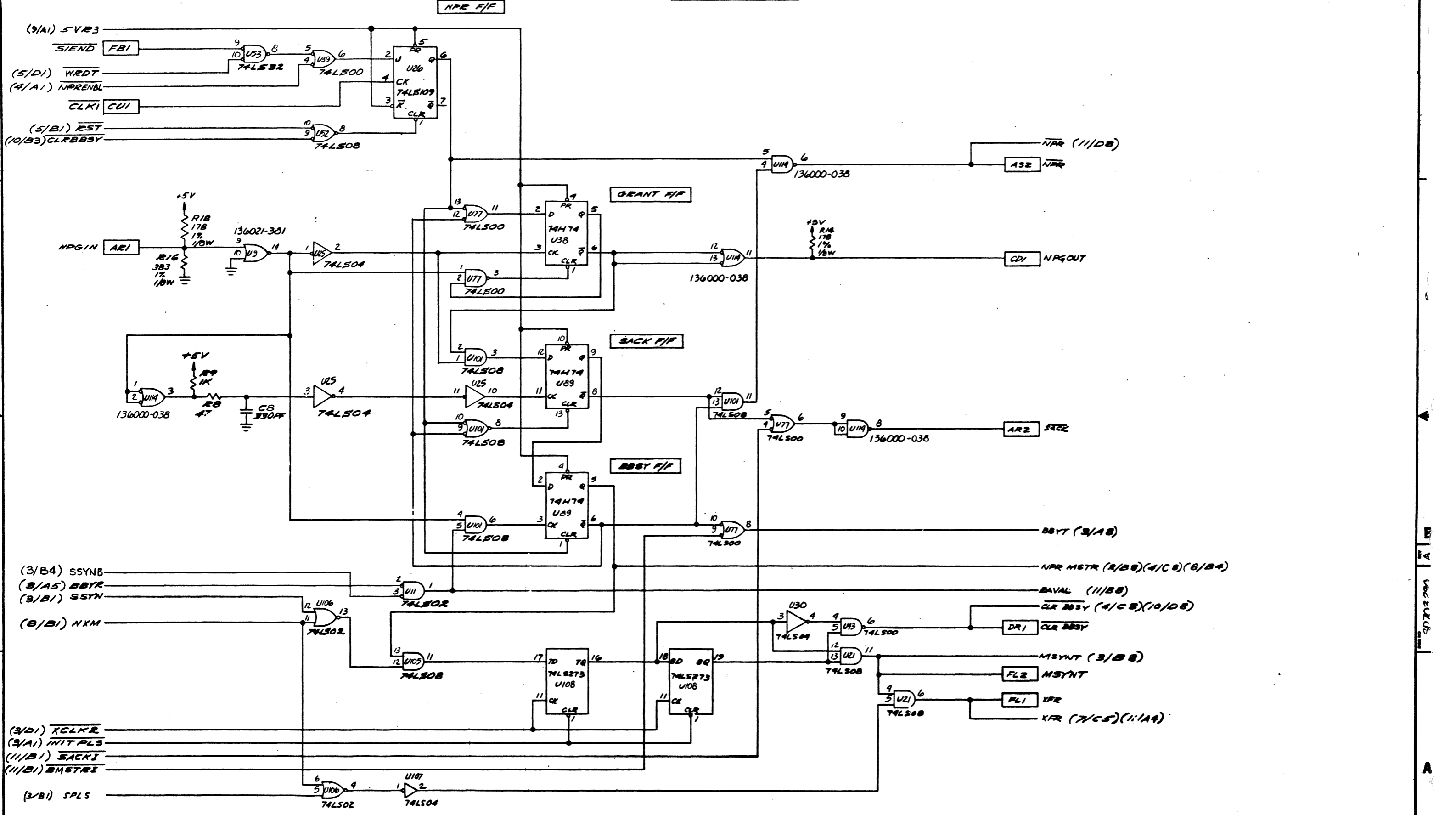


SIZE	CODE IDENT NO.	DWG NO.
D	52648	SD703290
SCALE: -	REV A	SHEET 9 OF 12

The information herein is the property of PLESSEY MICROSYSTEMS. Transmittal receipt or possession of the information does not imply, license, or imply any rights to use, sell, or manufacture from this information and no reproduction or publication of it, in whole or in part, shall be made without written authorization from PLESSEY MICROSYSTEMS.

REVISIONS				
ZONE	LTR	DESCRIPTION	DATE	APPROVED
		SEE SHEET 1		

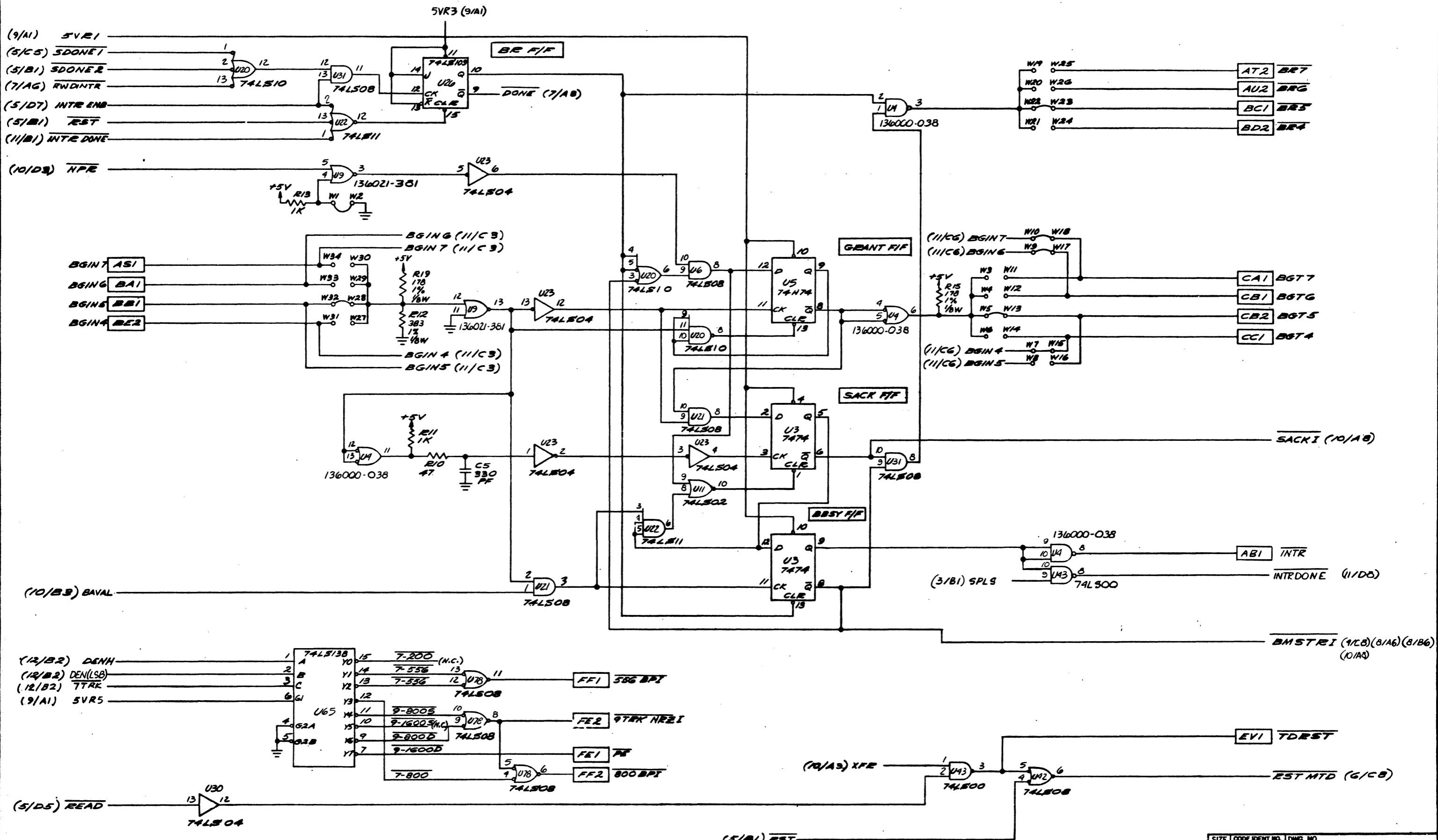
NPR CONTROL



INTERRUPT CONTROL

REVISIONS				
ZONE	LTR	DESCRIPTION	DATE	APPROVED
		SEE SHEET 1		

The information herein is the property of FLEISCHER MICROSYSTEMS. Transmittal receipt or possession of the information does not constitute, license, or imply any rights to use, sell, or manufacture from this information and no reproduction or publication of it, in whole or in part, shall be made without written authorization from FLEISCHER MICROSYSTEMS.

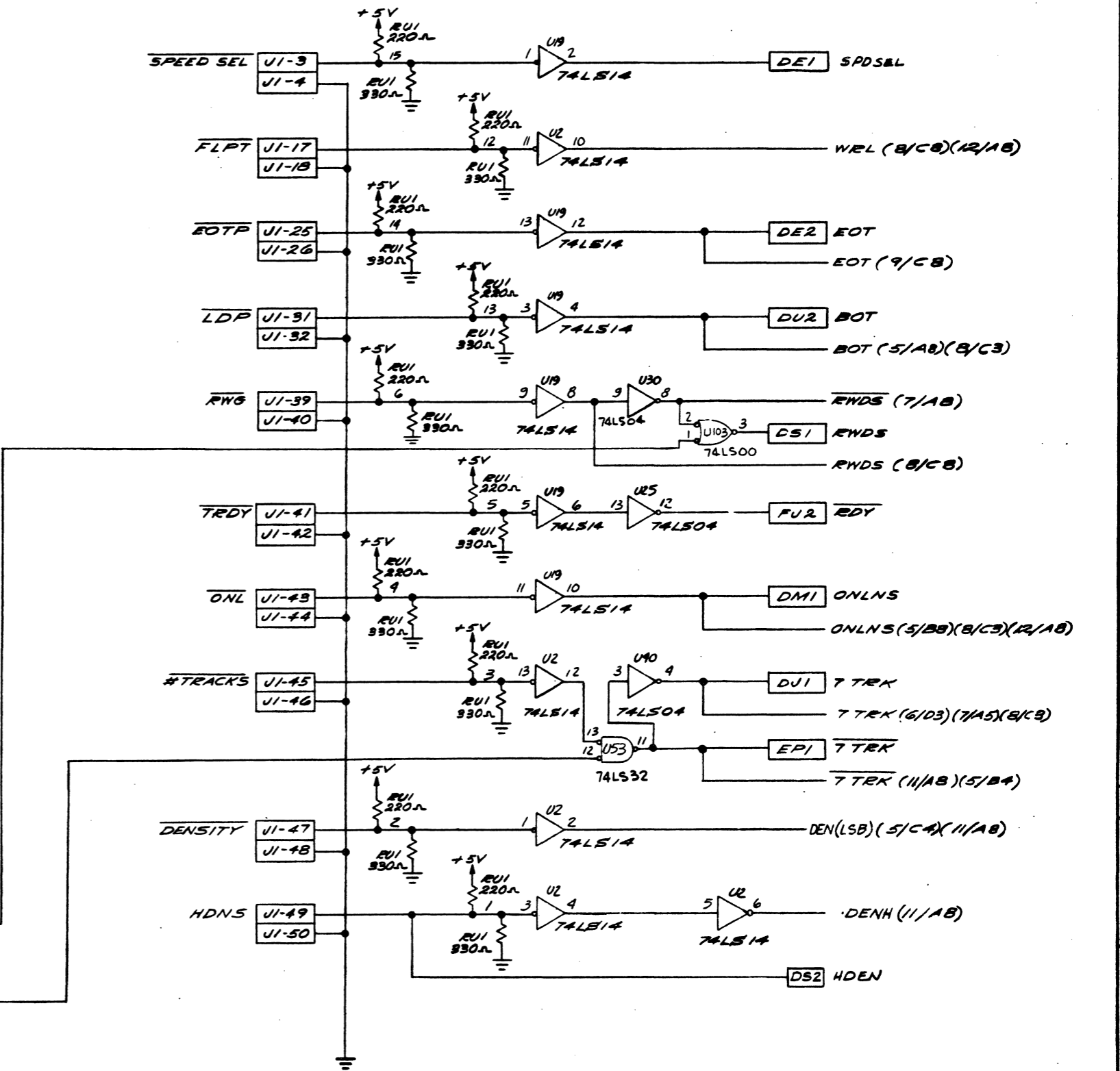
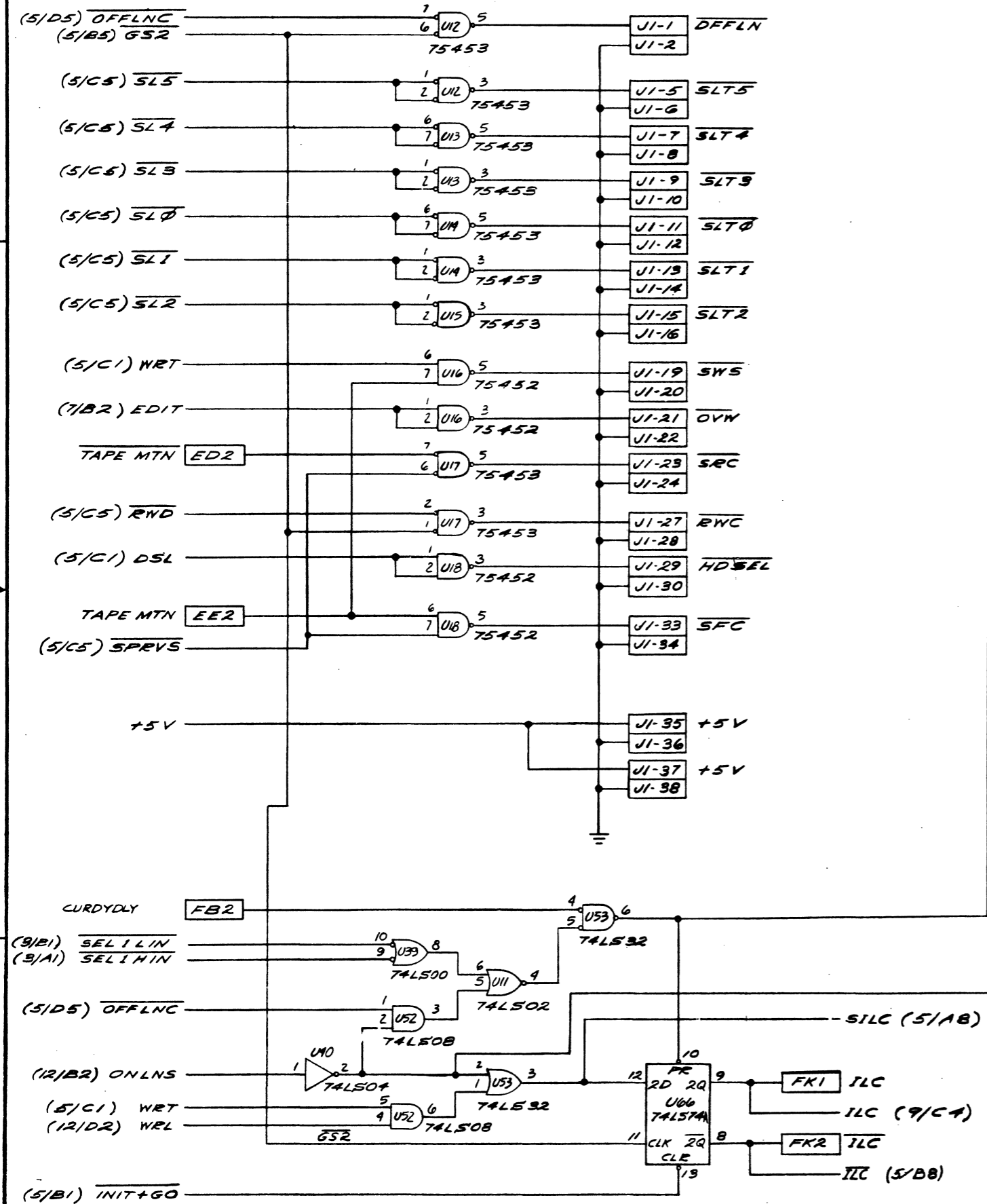


SIZE	CODE IDENT NO.	DWG NO.
D	52648	SD703290
SCALE	REV	SHEET 11 OF 12
		DISTR NO.

The information herein is the property of PLESSEY MICROSYSTEMS. Transmittal receipt or possession of the information does not constitute license, or imply any rights to use, sell, or manufacture from the information and no reproduction or publication of it, in whole or in part, shall be made without written authorization from PLESSEY MICROSYSTEMS.

DRIVE CONTROL CONNECTOR

REVISIONS				
ZONE	LTR	DESCRIPTION	DATE	APPROVED
		SEE SHEET 1		



SIZE	CODE IDENT NO.	DWG NO.
D	52648	SD703290
SCALE: —	REV A	SHEET 12 OF 12

PARTS LIST		Plessey Microsystems		PREPARED BY <i>TOM COMEY</i>	10-9-78	PARTS LIST NO. PL 701720-100	REV LTR A
BOARD ASSEMBLY NRZI CONTROL (ED NO.3)		CHECKED BY <i>P. Frankis</i>	10-11-78	CODE IDENT NO. 52648	1234570	SH 1	OF Z
		APPV <i>H. Demby</i>	10-11-78	MODEL NO.	PM-TC/11		
		DOC CONTROL <i>J. Jones</i>	10-18-78				

LTR	DESCRIPTION	DATE	APPROVED	LTR	DESCRIPTION	DATE	APPROVED
A	REL TO PRODED 2607	10-11-78	<i>Tom</i>				

PRODUCTION RELEASE

REV STATUS OF SHEETS	REV LTR	A	A	A	A	A	A						
SHEET		1	2	3	4	5	6	7	8	9	10		

PARTS LIST		Plessey Microsystems		CODE IDENT NO. 52648	PARTS LIST NO. PL 701720-100	SH 2	REV LTR A
-------------------	--	----------------------	--	-------------------------	---------------------------------	---------	--------------

CROSS INDEX OF REFERENCE DESIGNATIONS TO FIND NO.

REFERENCE DESIGNATION	FIND NO.	REFERENCE DESIGNATION	FIND NO.	REFERENCE DESIGNATION	FIND NO.
U5, 21, 23, 33, 35, 45, 56, 73, 116, 88, 103, 105, 110, 115	6	1, 2, 3, 4, 11, 12	22	R02	41
U13, 57, 80	7	U10	23		42
U56, 74, 106, 114, 117, 121	8	U8, 53	24	R1, 3, 5, 6, 8	43
U14, 61, 78, 86, 90, 93, 103, 122, 123, 118	9	U108	25	R2, 9	44
U75, 96, 112	10	U20, 32	26	R7	45
U92, 117	11	U24, 36, 48, 59, 71	27	R4	46
U18, 29	12	U40, 43, 99, 81	28	C1 THRU C33, C41	47
U35, 60	13	U7, 15, 120	29	C34	48
U107	14	U28, 52, 84	30	C35, 36, 37, 38, 39, 40	49
U104, 113	15	U31	31	C42	50
U22, 34, 37, 46, 47, 62, 69, 79, 98	16	U41, 68, 87, 97, 111, 119	32		51
U63, 65, 70, 82	17	U9, 54, 77, 89	33	C61	52
U116	18	U101	34	U2A, J3-A	53
U44, 67, 85	19	U83, 94	34		
U19, 26, 27, 30, 38, 39, 42, 50, 51	20	U6, 9, 103	35		
58, 95, 102	21	U25, 49, 72	36		
		U64	37		
			38		
			39		
			40		

PARTS LIST		Plessey Microsystems		CODE IDENT NO. 52648	PARTS LIST NO. PL 701720-100	SH 3	REV LTR A
-------------------	--	----------------------	--	-------------------------	---------------------------------	---------	--------------

NOTE	QTY REQD	PART OR IDENTIFYING NO.	NOMENCLATURE OR DESCRIPTION	SPECIFICATION	CODE IDENT NO.	ZONE	FIND NO.	C/I USAGE
	1	701719-001	R.W.B. / NRZI CONTROL PM-TC/11				1	
	2	701617-001	HANDLE-EXTRACTOR				2	
	2	700331-002	SPACER-HANDLE MOUNT				3	
	2	701608-001	SUPPORT, HANDLE				4	
							5	
	14	SN74LS00	I.C. / QUAD 2-INPUT POS-NAND GATES	T.1.			6	
	3	SN74LS02	I.C. / QUAD 2-INPUT POS-NOR GATES	T.1.			7	
	6	SN74LS04	I.C. / HEX INVERTERS	T.1.			8	
	10	SN74LS08	I.C. / QUAD 2-INPUT POS-AND GATES	T.1.			9	
	3	SN74LS10	I.C. / TRIPLE 3-INPUT POS-NAND GATES	T.1.			10	
	2	SN74LS11	I.C. / TRIPLE 3-INPUT POS-AND GATES	T.1.			11	
	2	SN74LS14	I.C. / HEX SCHMITT-TRIGGER INVERTERS	T.1.			12	
	2	SN74LS20	I.C. / DUAL 4-INPUT POS-NAND GATES	T.1.			13	

PARTS LIST		Plessey Microsystems		CODE IDENT NO. 52648	PARTS LIST NO. PL 701720-100	SH 4	REV LTR A
-------------------	--	----------------------	--	-------------------------	---------------------------------	---------	--------------

NOTE	QTY REQD	PART OR IDENTIFYING NO.	NOMENCLATURE OR DESCRIPTION	SPECIFICATION	CODE IDENT NO.	ZONE	FIND NO.	C/I USAGE
	1	SN74LS21	I.C. / DUAL 4-INPUT POS-AND GATES	T.1.			14	
	2	SN74LS27	I.C. / TRIPLE 3-INPUT POS-NOR GATES	T.1.			15	
	9	SN74LS32	I.C. / QUAD 2-INPUT POS-OR GATES	T.1.			16	
	4	SN74LS133	I.C. / 13-INPUT POS-NAND GATES	T.1.			17	
	1	SN74LS37	I.C. / QUAD 2-INPUT POS-NAND BUFFERS	T.1.			18	
	3	SN74LS51	I.C. / DUAL 2-WIDE 2-INPUT AND-OR-INVERT GATES	T.1.			19	
	9	SN74LS86	I.C. / QUAD 2-INPUT EXCLUSIVE-OR GATES	T.1.			20	
	3	SN74LS260	I.C. / DUAL 5-INPUT POS-NOR GATES	T.1.			21	
	6	SN75452B	I.C. / DUAL PERIPHERAL POS-NAND DRIVER	T.1.			22	
	1	SN75453B	I.C. / DUAL PERIPHERAL POS OR DRIVER	T.1.			23	
	2	SN74LS05	I.C. / HEX INVERTERS WITH /OC	T.1.			24	
	1	SN74LS157	I.C. / QUAD 2 LINE TO LINE DATA SEL/MULTIPLEXERS	T.1.			25	
	2	SN74LS158	I.C. / QUAD 2 LINE TO LINE DATA SEL/MULTIPLEXERS	T.1.			26	

SIZE **B** CODE IDENT NO. 52648 DWG NO. PL 701720-100 SHEET 1 of 2
 SCALE **A**

The information hereon is the property of PLESSEY PERIPHERAL SYS. Transmittal receipt or possession of the information does not comply, license, or imply any rights to use, sell, or manufacture from this information, and no reproduction or publication of it, in whole or in part, shall be made without written authorization from PLESSEY PERIPHERAL SYS.

PARTS LIST		Plessey Microsystems		CODE IDENT NO. 52648	PARTS LIST NO. PL701720-100	SH 5	REV LIT A												
QTY REQD	PART OR IDENTIFYING NO.	NOMENCLATURE OR DESCRIPTION	SPECIFICATION	CODE IDENT NO.	ZONE	F I N O.	S Y M.	C/I USAGE				UNIT COST							
								C/I CODE	INV ON HAND	P A R	UNIT COST								
5	SN74LS153	I.C./DUAL 4 LINES TO 1 LINE DATA SEL/MULTIPLEXERS	T.I.			27													
4	SN74LS74A	I.C./DUAL D-TYPE POS EDG-TRIG F/F W/PRESET/CLEAR	T.I.			28													
3	SN74LS174	I.C./HEX/QUAD D-TYPE F/F WITH CLEAR	T.I.			29													
3	SN74LS175	I.C./HEX/QUAD D-TYPE F/F WITH CLEAR	T.I.			30													
1	SN74LS273	I.C./OCTAL D-TYPE F/F WITH CLEAR	T.I.			31													
6	SN74LS109A	I.C./DUAL J-K POS-EDGE-TRIG, F/F W/PRESET/CLEAR	T.I.			32													
5	SN74376	I.C./QUADRUPEL J-K F/F	T.I.			33													
2	SN74LS280	I.C./9-BIT ODD/EVEN PARITY GENERATORS/CHECKERS	T.I.			34													
3	SN74LS163A	I.C./SYNCHRONOUS 4-BIT COUNTERS	T.I.			35													
3	AM2841PC	I.C./FIFO, 64 X 4 BITS	AMD			36													
1	NE555	I.C./TIMER	SIGNETICS			37													
						38													
						39													

PARTS LIST		Plessey Microsystems		CODE IDENT NO. 52648	PARTS LIST NO. PL701720-100	SH 6	REV LIT A												
QTY REQD	PART OR IDENTIFYING NO.	NOMENCLATURE OR DESCRIPTION	SPECIFICATION	CODE IDENT NO.	ZONE	F I N O.	S Y M.	C/I USAGE				UNIT COST							
								C/I CODE	INV ON HAND	P A R	UNIT COST								
1	898-5-R220/330	RESISTOR MODULE	BECKMAN			40													
1	898-1-R4.7K	RESISTOR MODULE	BECKMAN			41													
						42													
5	RC07GF 102J	RESISTOR/1K, ±5%, 1/4W	MIL-R-11			43													
2	RC07GF 472J	RESISTOR/4.7K, ±5%, 1/4W	MIL-R-11			44													
1	RC07GF 620J	RESISTOR/620Ω, ±5%, 1/4W	MIL-R-11			45													
1	RC07GF 274J	RESISTOR/270K, ±5%, 1/4W	MIL-R-11			46													
34	CGA103ZDE	CAPACITOR/.01 UF	UNITRODE			47													
1	150D225X 0020A2	CAPACITOR/2.2 UF, 20V	SPRAGUE			48													
6	150D475X 0020B2	CAPACITOR/4.7 UF, 20V	SPRAGUE			49													
1	150D226X 9010B2	CAPACITOR/22μf, ±10%, 10V	SPRAGUE			50													
						51													
1	1N4742	DIODE, ZENER 12V	MOTOROLA			52													

PARTS LIST		Plessey Microsystems		CODE IDENT NO. 52648	PARTS LIST NO. PL701720-100	SH 7	REV LIT A												
QTY REQD	PART OR IDENTIFYING NO.	NOMENCLATURE OR DESCRIPTION	SPECIFICATION	CODE IDENT NO.	ZONE	F I N O.	S Y M.	C/I USAGE				UNIT COST							
								C/I CODE	INV ON HAND	P A R	UNIT COST								
2	3493-1002	CONNECTOR/ 26 PIN, RIGHT ANGLE	3M			53													
2	B0281-013	SPRING WASHER	SPEC			54													
						55													
6	SE-310/NICKEL PLATE	RIVET, TUBULAR	USM			56													
1	701618-001	STIFFENER BAR				57													
5	MS51957 -3	SCREW/2-56 X 1/4 LG. PAN HD				58													
						59													
						60													
						61													
						62													
REF	SN63 WRAP3	SOLDER				63													
REF	SD701720	SCHEMATIC DIAGRAM NRZI CONTROL				64													
REF	TS701720	TEST SPECIFICATION NRZI CONTROL				65													

The information hereon is the property of PLESSEY PERIPHERAL SYS. Transmittal receipt or possession of the information does not imply license, or imply any rights to use, sell, or manufacture from this information, and no reproduction or publication of it, in whole or in part, shall be made without written authorization from PLESSEY PERIPHERAL SYS.

SIZE **B** CODE IDENT NO. **52648** DWG NO. **PL 701720-100** SHEET **2 of 2**
 SCALE **A** REV **A**

Form 000087

The information herein is the property of PLESSEY MICROSYSTEMS. Transmission, receipt or possession of the information does not comply, license or imply any rights to use, sell, or manufacture from this information and no reproduction or publication of it, in whole or in part, shall be made without written authorization from PLESSEY MICROSYSTEMS.

REVISIONS			
ZONE	LTR	DESCRIPTION	DATE
✓	A	REL TO PROD E02607	6-11-78
✓	B	INCORP E02696	10-31-78

LAST REFERENCE DESIGNATION USED	
RESISTOR	R9
CAPACITOR	C42
INTEGRATED CIRCUIT	U123
DIODE	D21
RESISTOR MODULE	RU2

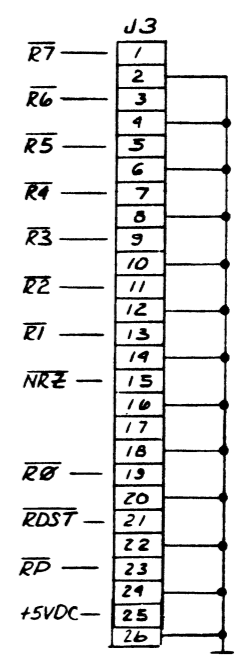
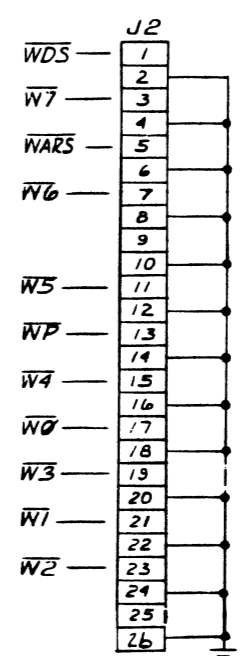
REFERENCE DESIGNATION NOT USED	
INT CKT	U16

REF DESIG.	GATES USED PER TOTAL	PART NUMBER
U1	1/2	74592
U8	4/6	74LS05
U13	2/4	74LS02
U14	3/4	74LS08
U38	3/4	74LS86
U42	1/4	74LS86
U58	1/2	745260
U96	2/3	74LS10
U75	2/3	74LS10
U77	3/4	74376
U99	1/2	74LS74
U113	2/3	74LS27
U116	2/4	74LS37
U117	5/6	74LS04
U118	2/4	74LS08

SIDE 2		SIDE 1		CONNECTOR
+5V	A	CRCMATCH		
GND	C	BYTEENDRD		
	D	LCHAR		
	E	BCL		
	F	HCHAR		
	H	CLRBBSSY		
	J			
	K	WSRST		
	L	FOD3		
	M	FOD1		
	N	DLYCNT		
	P	NPRENBL		
RDFIFORD	R	RDCHKCHAR		
SELLRC	S	SLOWBYTE		
IBM	T	GND		
FOD0	U			
	V			

SIDE 2		SIDE 1		CONNECTOR
+5V	A	WRTLRCG		
	B	WRT		
GND	C	WRTDTA1		
	D			
	E			
WRTDTA0	F	PACK		
7TRK	H	WRTDTA2		
WRTDTA3	J	LASTBYTE/REC		
	K	WRTDTA6		
S3	L	PEIDCLK		
EPSEL	M	LOCK		
ZEROCHAR	N	ONESCHAR		
	P	XFR		
	R	PEKR		
BUFS	S			
ALLDEAD	T	GND		
READ	U			
STRTSEQ	V	VCID		

SIDE 2		SIDE 1		CONNECTOR
+5V	A	PERD1		
-15V	B	PERD3		
GND	C	PERD5		
PERD7	D	RDP		
RDS	E			
	F			
	H	PE		
RDCLK	J	PERDP		
PERD4	K	PERD6		
PERD2	L	PERD0		
	M	WRTDTA4		
WRTDTA7	N	WRTDTA5		
RDS	P	RD6		
RD4	R	RD7		
WEOF	S	9TRKNRZ1		
RD1	T	GND		
RD3	U	RD0		
LPSD	V	RD2		



- CAPACITOR VALUES ARE MICROFARADS.
- RESISTOR VALUES ARE IN OHMS, ±5%, 1/4 W
- DESIGNATIONS SHOWN IN PARENTHESIS INDICATES WHERE SIGNAL ORIGINATES OR TERMINATES.
(2/B3)

- SIGNALS SHOWN IN RECTANGLES ARE I/O CONNECTIONS.

1. FOR ASSEMBLY DRAWING SEE 701720

NOTES: UNLESS OTHERWISE SPECIFIED:

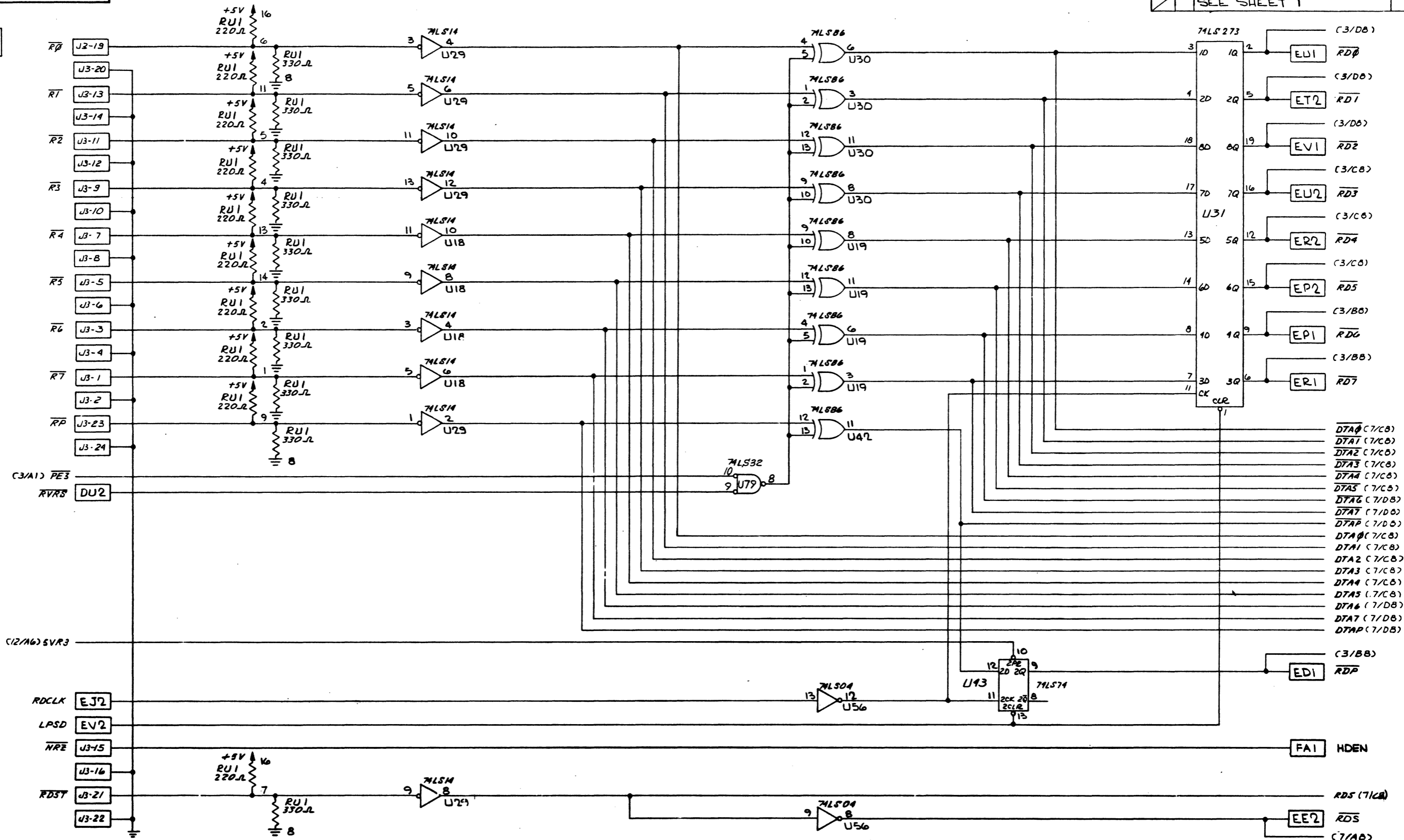
PRODUCTION RELEASE

PART/ASSY NO. & QTY PER ASSY		NOTE PART OR IDENTIFYING NO.	NOMENCLATURE OR DESCRIPTION / MATERIAL	SPEC/SOURCE	CODE IDENT NO.	FIND NO.
PART/ASSY REV LTR		PARTS LIST		CONTRACT NO.		
701720-100 PM-TC11		DO NOT SCALE DRAWING		Plessey Microsystems		
NEXT ASSY USED ON		SCREW THREADS PER HANDBOOK H-8		DRAWN J. VERDUGO 10-7-78		
APPLICATION		COUNTERBORE AND SPOTFACE FILLET RADI TO BE .005 MAXIMUM		CHECK J. Frankis 10-11-78		
		REMOVE ALL BURRS AND BREAK SHARP EDGES EQUIVALENT TO A30		ENGR		
		ROUNDSHIPS OF MACHI TO SURFACES 10 PER USAS D4.1		PROJ. ENGR J. Amey 10-11-78		
		STANDARD HOLE TOLERANCE PER AND 8000		PROD. DESIGN J. Frankis 10-11-78		
		TOLERANCES ON .030 & .030 < .030 < .030 < .030 < .030		SIZE CODE IDENT NO. DWG NO.		
		ANGLES = 30°		D 52648 SD 701720		
		INTERPRET DIMENSIONS AND TOLERANCES PER USAS Y14.5		SCALE: 1/2		
		DIMENSIONS ARE IN INCHES AND APPLY AFTER HEAT TREAT AND FINISH UNLESS OTHERWISE SPECIFIED		OTHER APPROVALS		
				SHEET 1 OF 2		

The information herein is the property of PLESSEY MICROSYSTEMS. Transmittal, receipt or possession of the information does not imply, license, or imply any rights to use, sell, or manufacture from this information and no reproduction or publication of it, in whole or in part, shall be made without written authorization from PLESSEY MICROSYSTEMS.

REVISIONS				
ZONE	LTR	DESCRIPTION	DATE	APPROVED
		SEE SHEET 1		

RE-D DATA CONNECTOR



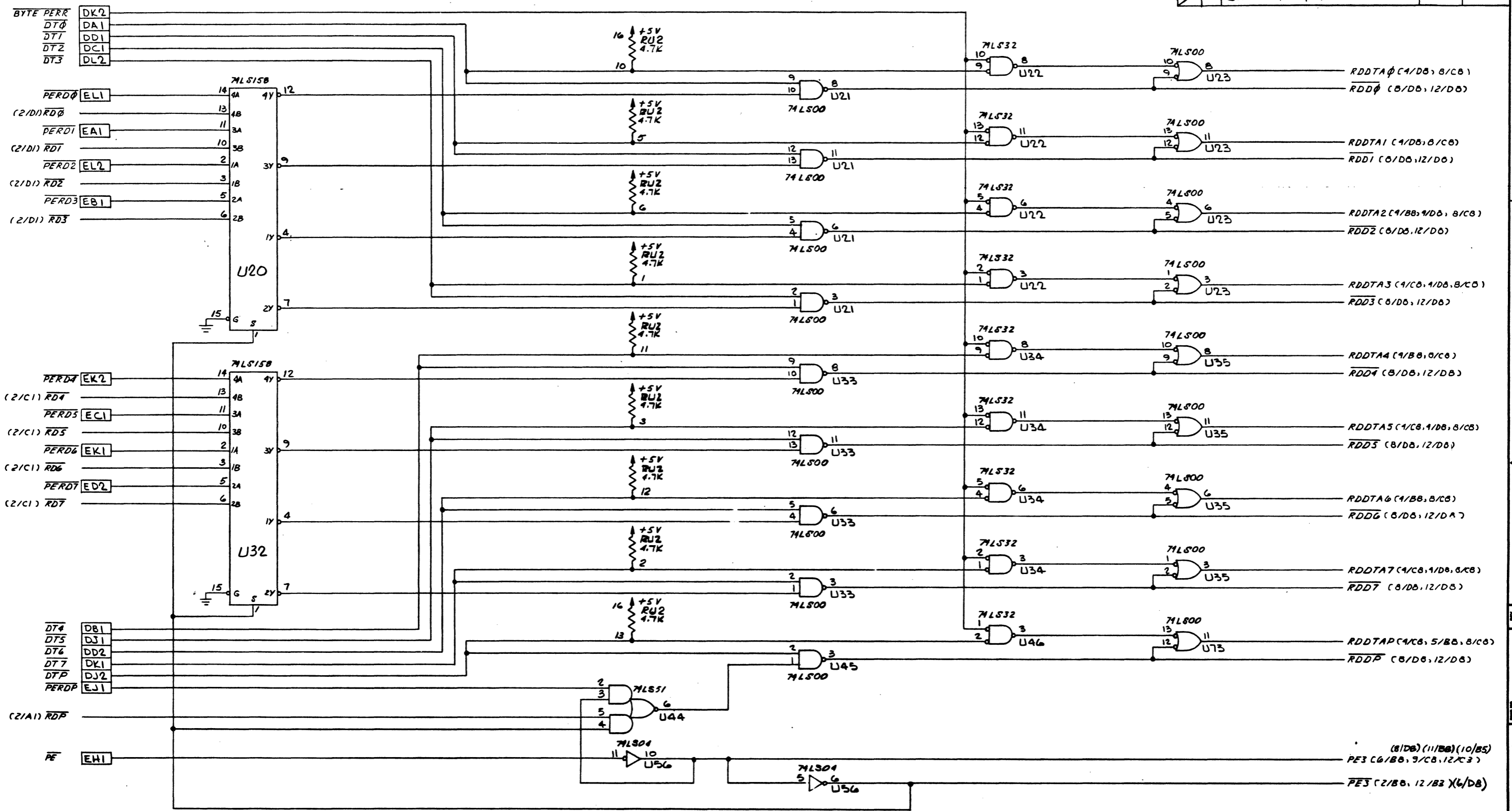
READ DATA REGISTER

SIZE	CODE IDENT NO.	DWG NO.
D	52648	SD 701720
SCALE	REV B	SHEET 2 OF 12

SD701720

The information herein is the property of PLESSEY MICROSYSTEMS. Transmittal, receipt or possession of this information does not constitute, in whole or in part, an implied license, or imply any rights to use, sell, or manufacture from this information and no reproduction or publication of it, in whole or in part, shall be made without written authorization from PLESSEY MICROSYSTEMS.

REVISIONS				
ZONE	LTR	DESCRIPTION	DATE	APPROVED
		SEE SHEET 1		



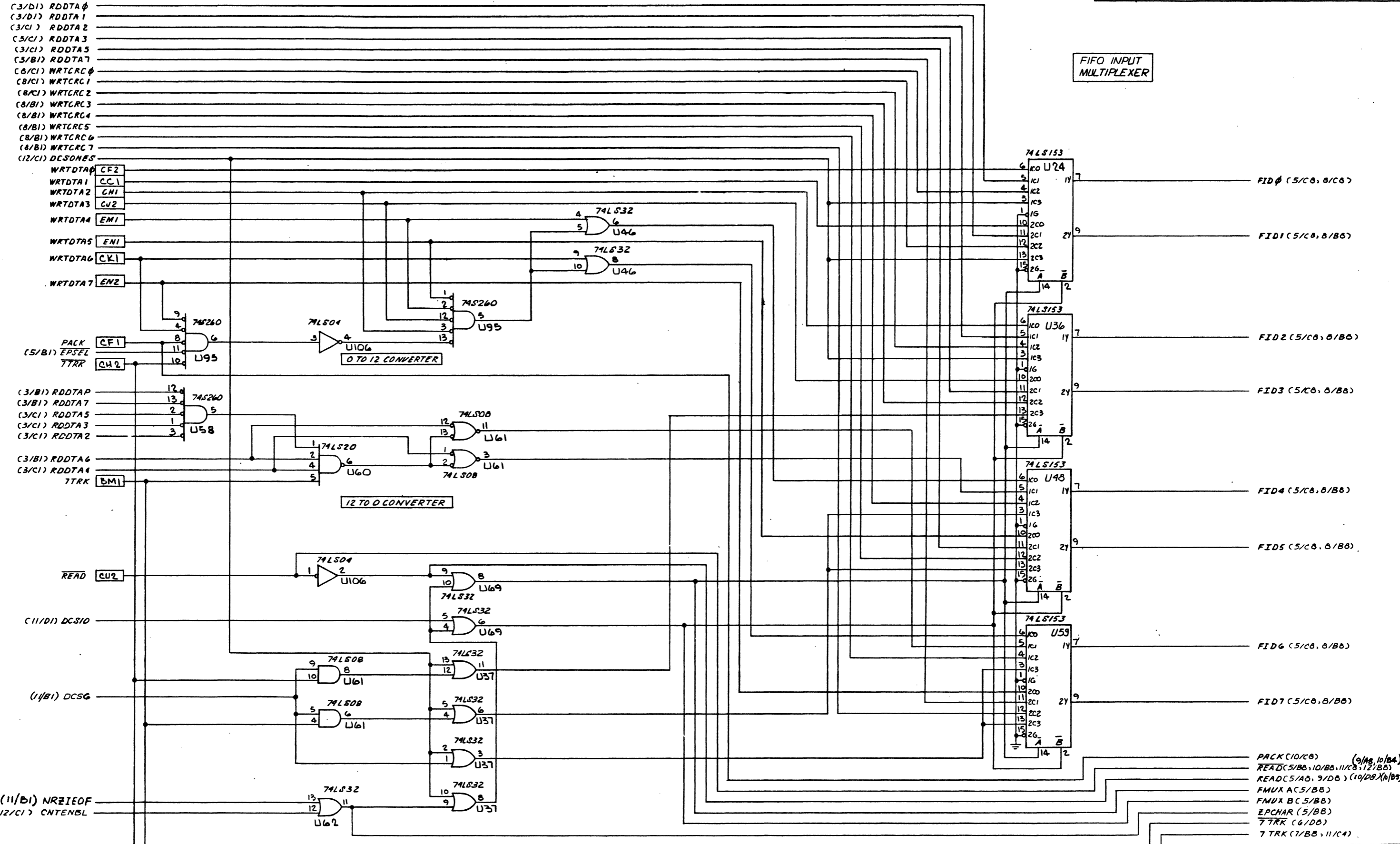
PE ERROR CORRECTION

SIZE	CODE IDENT NO.	DWG NO.
D	52648	SD701720
SCALE	REV 8	SHEET 3 OF 12

The information herein is the property of PLESSEY MICROSYSTEMS. Transmittal receipt or possession of this information does not constitute, license, or imply any rights to use, sell, or manufacture from this information and no reproduction or publication of it, in whole or in part, shall be made without written authorization from PLESSEY MICROSYSTEMS.

REVISIONS				
ZONE	LTR	DESCRIPTION	DATE	APPROVED
		SEE SHEET 1		

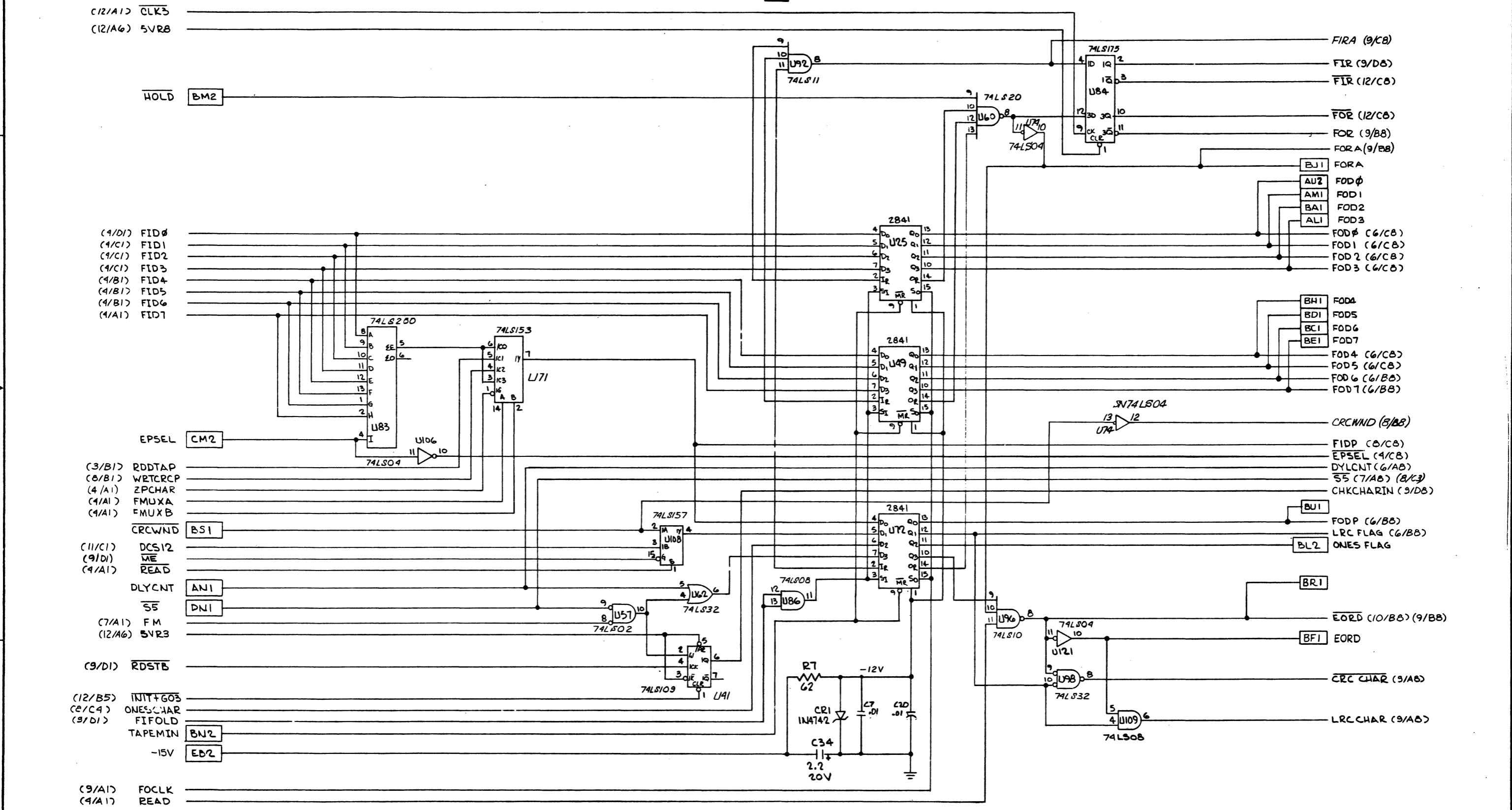
FIFO INPUT MULTIPLEXER



SIZE	CODE IDENT NO.	DWG NO.
D	52648	SD701720
SCALE: —	REV B	SHEET 4 OF 12
DISTR NO.		

The information herein is the property of PLESSEY PERIPHERAL SYS
 Transmittal receipt or possession of the information does not imply
 license or imply any right to use, sell, or manufacture from this infor-
 mation and no reproduction or publication of it, in whole or in part, shall
 be made without written authorization from PLESSEY PERIPHERAL SYS.

REVISIONS				
ZONE	LTR	DESCRIPTION	DATE	APPROVED
		SEE SHEET 1		



DATA FIFO

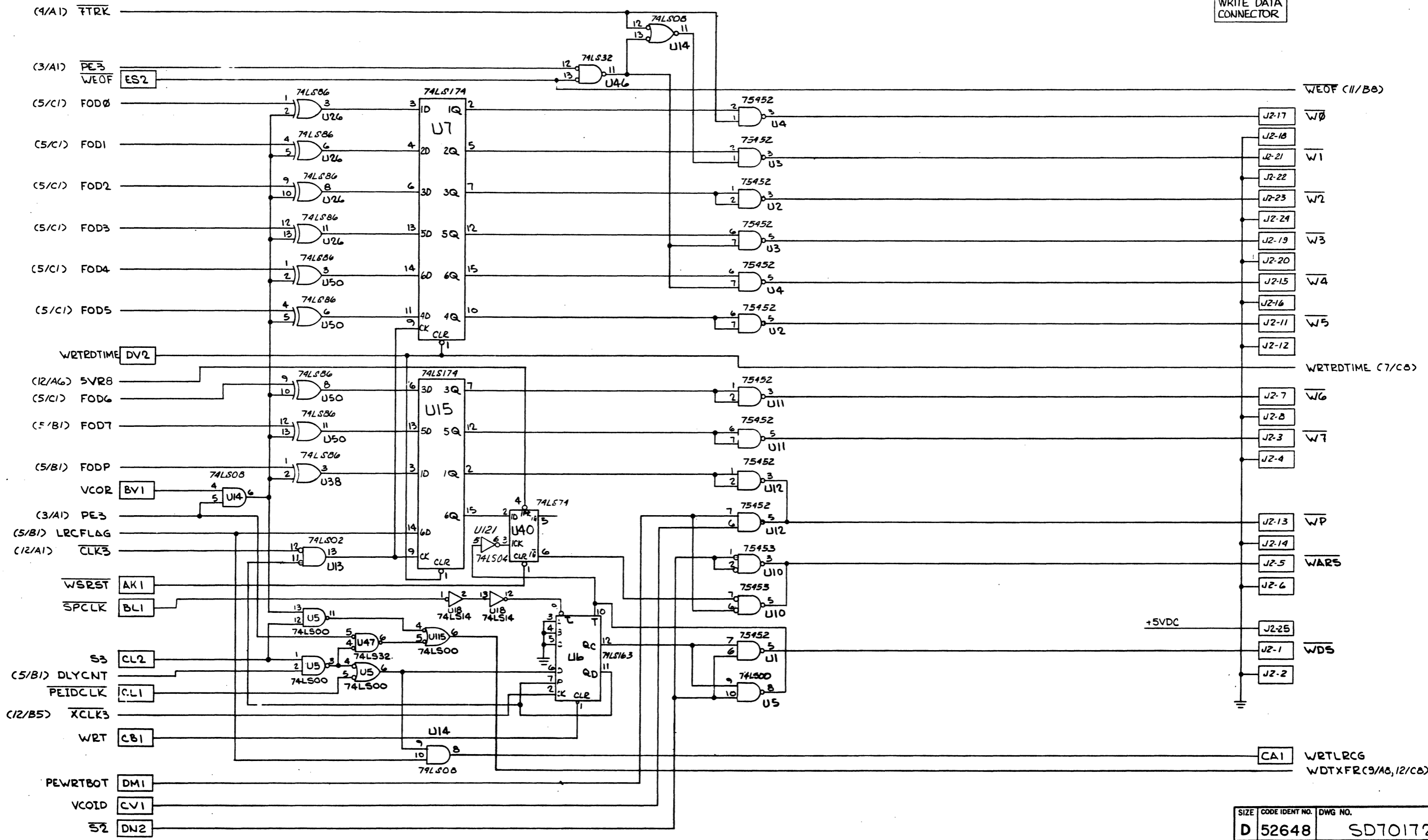
SIZE	CODE IDENT NO.	DWG NO.
D	52648	SD701720
SCALE	B	
		SHEET 5 OF 12
		DISTR NO.

The information herein is the property of PLESSEY PERIPHERAL SYS. Transmittal receipt or possession of the information does not comply, license, or imply any rights to use, sell, or manufacture from this information and no reproduction or publication of it, in whole or in part, shall be made without written authorization from PLESSEY PERIPHERAL SYS.

REVISIONS			
ZONE	LTR	DESCRIPTION	DATE
		SEE SHEET 1	

WRITE DATA REGISTER

WRITE DATA CONNECTOR



SIZE	CODE IDENT NO.	DWG NO.
D	52648	SD701720
SCALE:	B	SHEET 6 OF 12
		DISTR NO.

SD701720

A

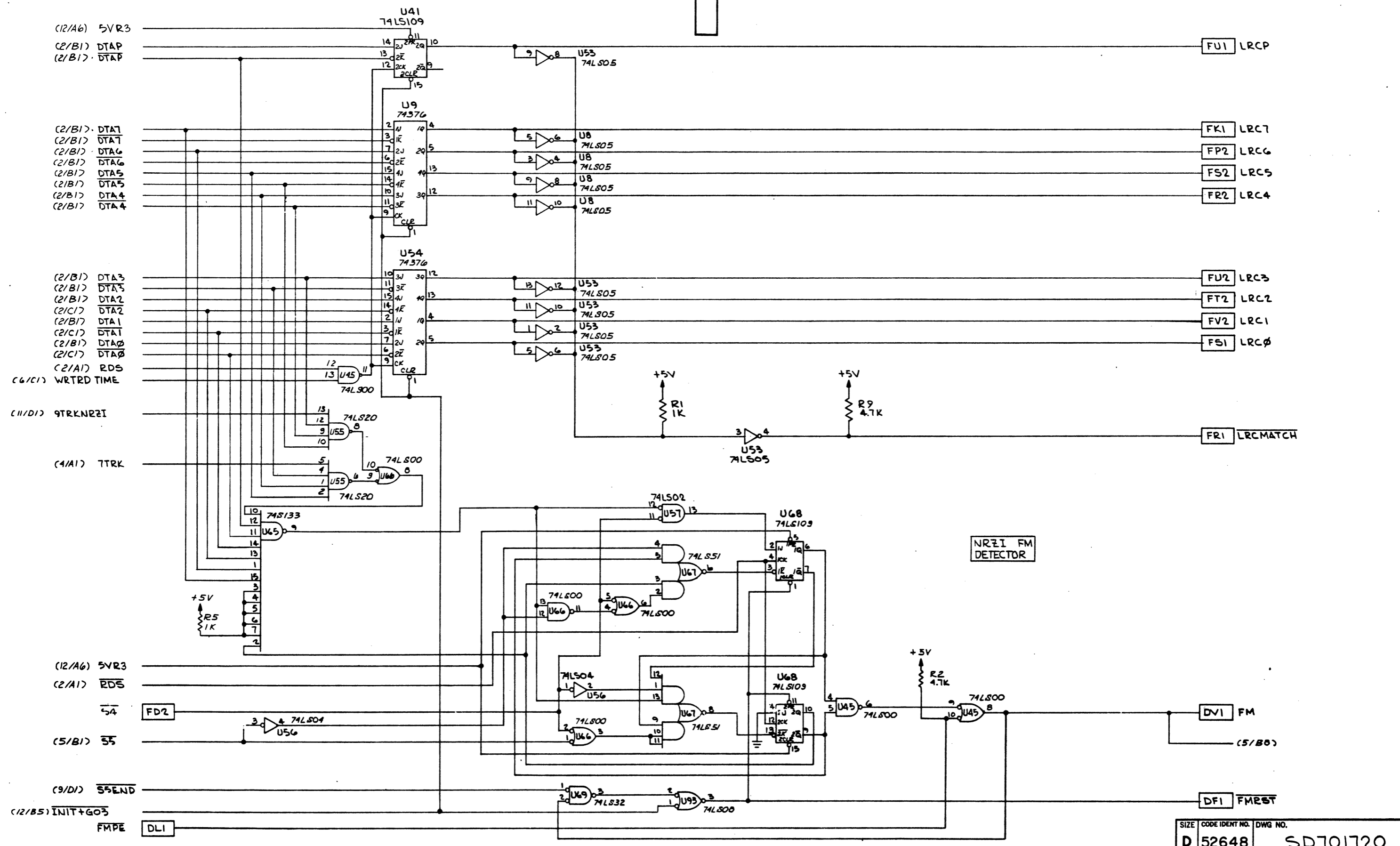
C

D

The information herein is the property of PLESSEY PERIPHERAL SYS. Transmittal receipt or possession of the information does not constitute license or imply any rights to use, sell, or manufacture from this information and no reproduction or publication of it, in whole or in part, shall be made without written authorization from PLESSEY PERIPHERAL SYS.

REVISIONS				
ZONE	LTR	DESCRIPTION	DATE	APPROVED
		SEE SHEET 1		

LRCC CHECKER

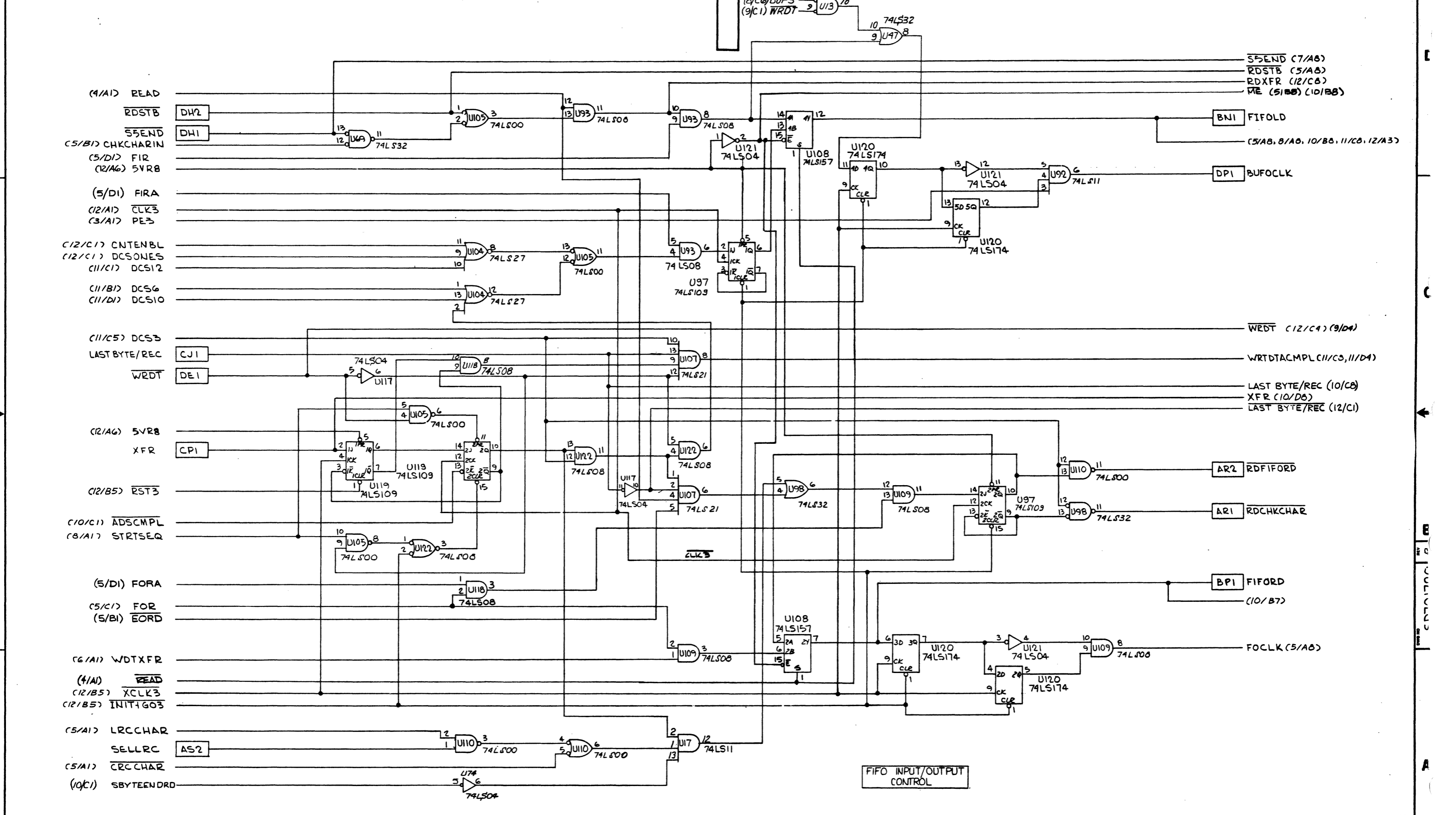


NRZI FM DETECTOR

SIZE	CODE IDENT NO.	DWG NO.
D	52648	SD701720
SCALE:	SHEET 7 OF 12	
		DISTR NO.

The information herein is the property of PLESSEY PERIPHERAL SYS. Transmittal receipt or possession of the information does not constitute license or imply any rights to use, sell, or manufacture from this information and no reproduction or publication of it, in whole or in part, shall be made without written authorization from PLESSEY PERIPHERAL SYS.

REVISIONS				
ZONE	LTR	DESCRIPTION	DATE	APPROVED
/		SEE SHEET 1		

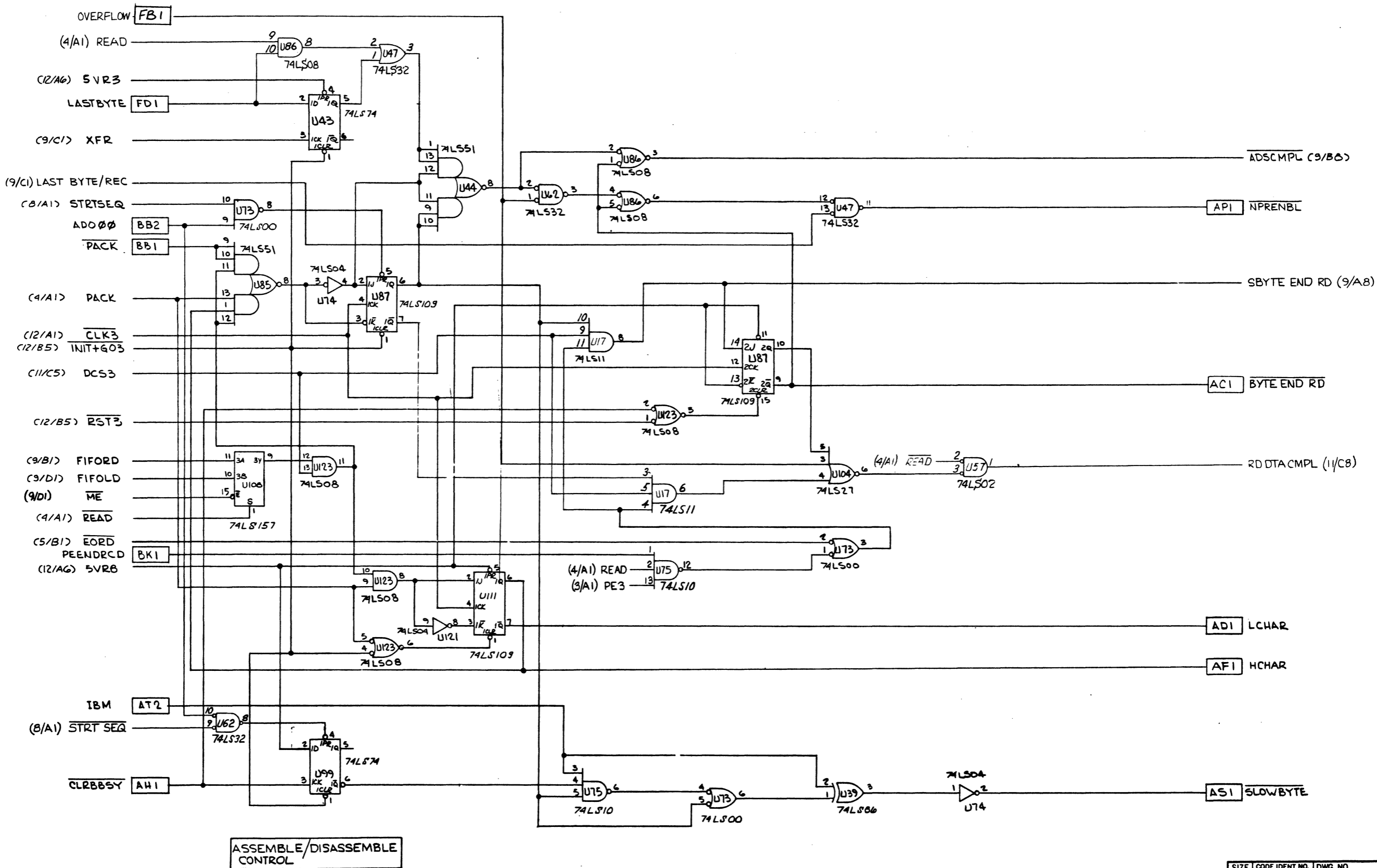


FIFO INPUT/OUTPUT CONTROL

SIZE	CODE IDENT NO.	DWG NO.
D	52648	SD701720
SCALE: ---	B	SHEET 9 OF 12
		DISTR NO.

The information herein is the property of PLESSEY PERIPHERAL SYS
 Transmittal receipt or possession of the information does not imply
 license to use, copy, or manufacture from this information without
 express written authorization from PLESSEY PERIPHERAL SYS.

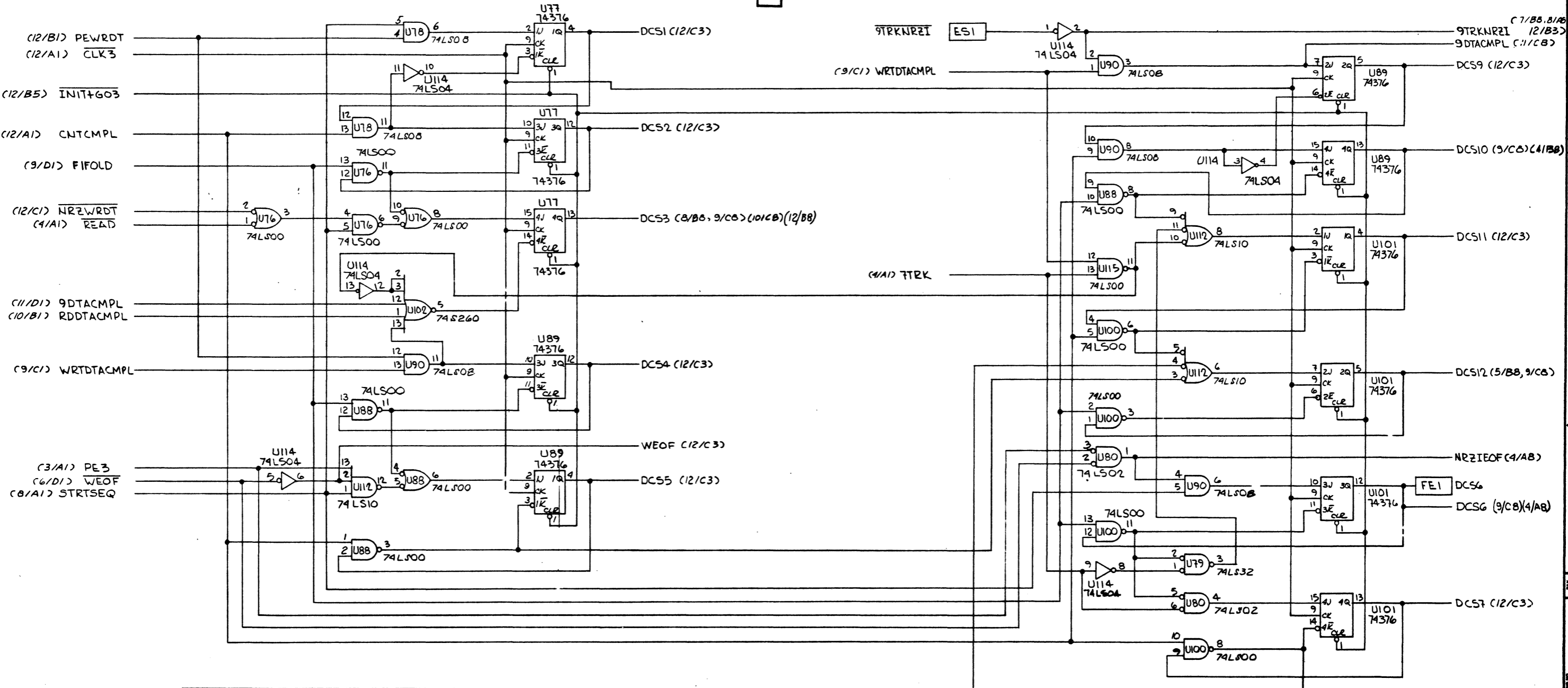
REVISIONS				
ZONE	LTR	DESCRIPTION	DATE	APPROVED
		SEE SHEET 1		



SIZE	CODE IDENT NO.	DWG NO.
D	52648	SD101720
SCALE:	B	SHEET 10 OF 12
DISTR NO.		

The information herein is the property of PLESSEY PERIPHERAL SYS. Transmittal hereof or possession of the information does not comply license or imply any rights to use, sell, or manufacture from this information a reproduction or publication of it, in whole or in part, shall be made without written authorization from PLESSEY PERIPHERAL SYS.

REVISIONS				
ZONE	LTR	DESCRIPTION	DATE	APPROVED
/		SEE SHEET 1		



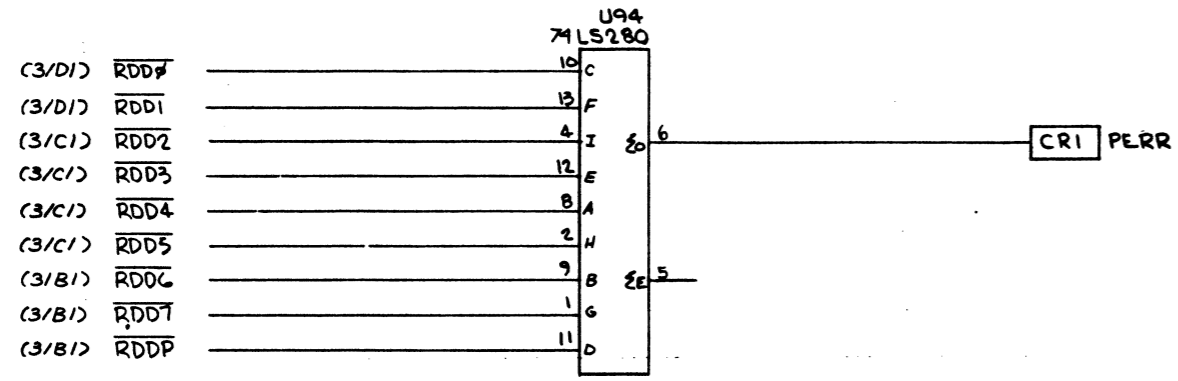
DATA PATH CONTROL

DCS 1	PE-PREAMBLE ZEROS
DCS 2	PE-PREAMBLE ONE
DCS 3	PE/NR2I-DATA
DCS 4	PE-POST AMBLE ONE
DCS 5	PE-POST AMBLE ZERO/FM
DCS 6	NR2I-FM
DCS 7	NR2I-SPACE 7
DCS 9	NR2I-SPACE 3
DCS 10	NR2I-CRCC
DCS 11	NR2I-SPACE 3
DCS 12	PE/NR2I-LRC/WRITE RESET

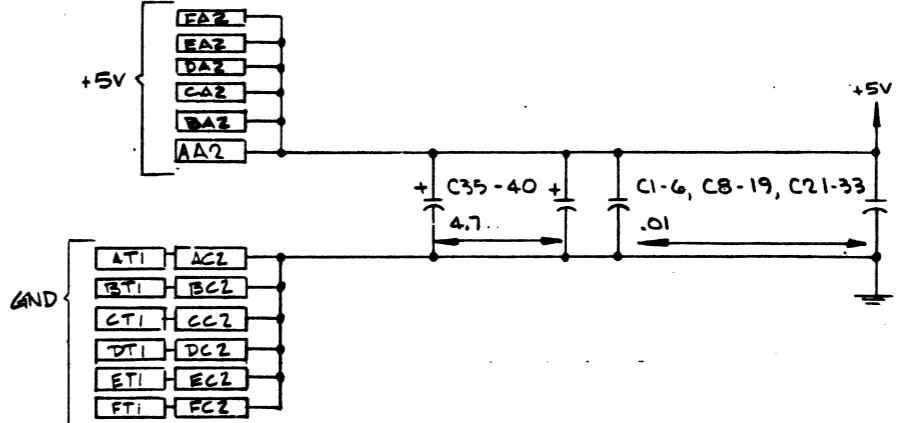
SIZE	CODE IDENT NO.	DWG NO.
D	52648	SD701720
SCALE:	E	SHEET 11 OF 12

The information herein is the property of PLESSEY PERIPHERAL SYS. Transmittal receipt or possession of the information does not comply, license or imply any rights to use, sell, or manufacture from this information and no reproduction or publication of it, in whole or in part, shall be made without written authorization from PLESSEY PERIPHERAL SYS.

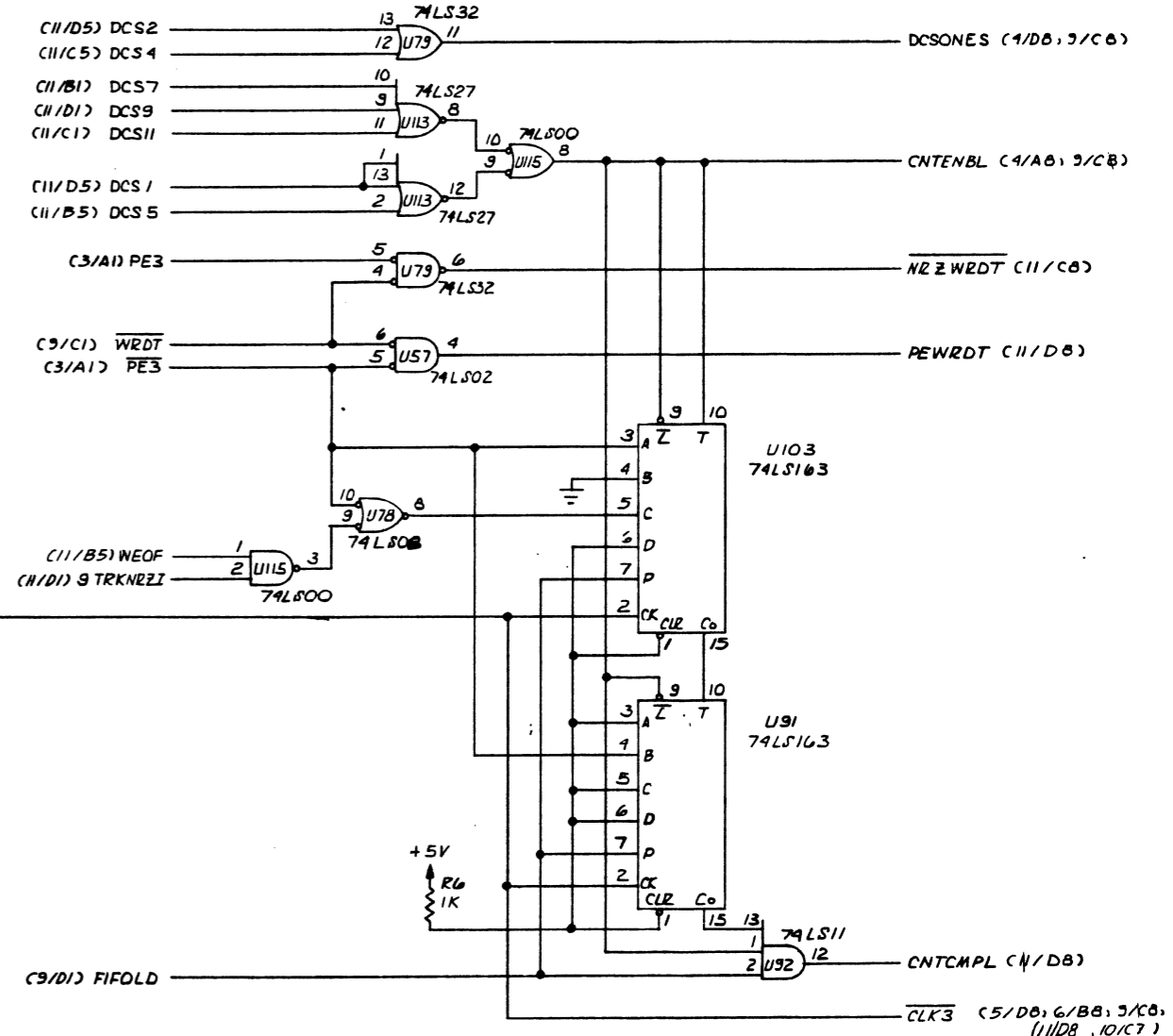
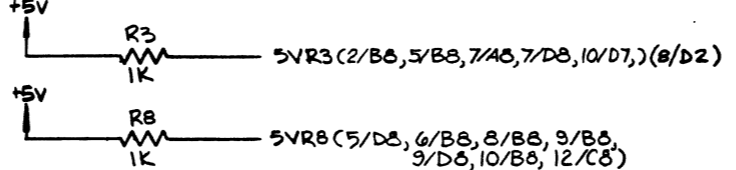
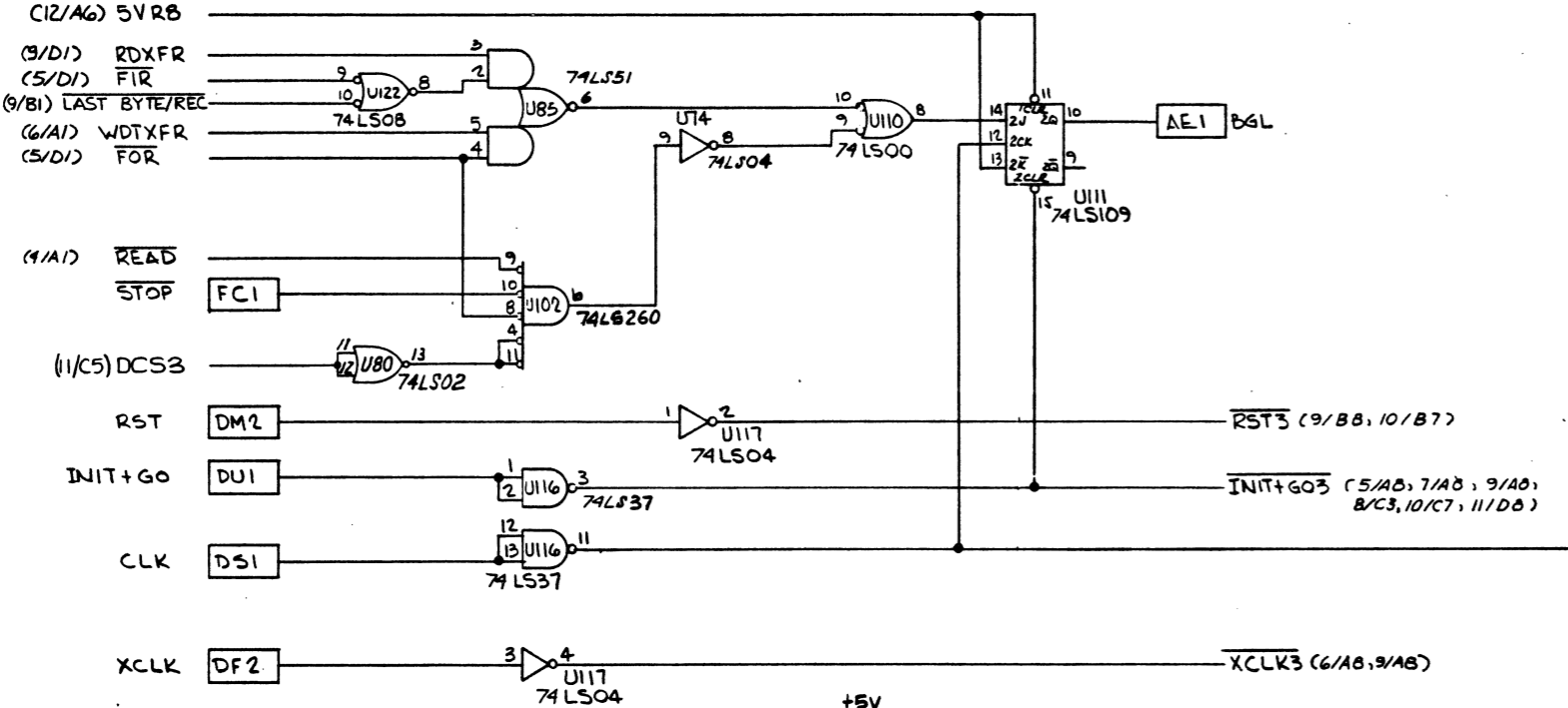
REVISIONS				
ZONE	LTR	DESCRIPTION	DATE	APPROVED
/		SEE SHEET 1		



READ PARITY CHECK



BUS GRANT LATE ERROR



SIZE	CODE IDENT NO.	DWG NO.
D	52648	SD701720
SCALE	SHEET 12 OF 12	
DISTR NO.		

PARTS LIST		Plessey Peripheral Systems							PARTS LIST NO.	SH	REV LTR			
									701802	3	A			
ENTRY CHG THIS REV LTR	NOTE	PART/ASSY NO. & QTY PER ASSY								UNIT MEAS	PART NO. OR IDENTIFYING NO.	NOMENCLATURE OR DESCRIPTION	SPEC OR SOURCE	FINO D
		-107	-106	-105	-104	-103	-102	-101	-100					
									X		701802-100	PM-TS11 Drive Interface Cables and adapters - 10 ft. for drives with -X03 Dash No.		
										X	701802-101	PM-TS11 Drive Interface Cables and adapters - 20 ft. for drives with -X03 Dash No.		
										X	701802-102	PM-TS11 Drive Interface Cables and adapters - 10 ft. for drives with -X04,-X05 Dash No.		
							X				701802-103	PM-TS11 Drive Interface Cables and adapters - 20 ft. for drives with -X04,-X05 Dash No.		
					X						701802-104	PM-TS11 Drive Interface Cables and adapters - 10 ft. for drives with -X23,-X24 Dash No.		
				X							701802-105	PM-TS11 Drive Interface Cables and adapters - 20 ft. for drives with -X23,-X24 Dash No.		
			X								701802-106	PM-TS11 Drive Interface Cables and adapters - 10 ft. for drives with -X13,-X14 Dash No.		
		X									701802-107	PM-TS11 Drive Interface Cables and adapters - 20 ft. for drives with -X13,-X14 Dash No.		
									1	1	701855-100	Assy. PWB: Control Adapter		1
				1	1				1	1	701865-100	Assy. PWB: Read Adapter		2
									1	1	701875-100	Assy. PWB: Write Adapter		3

PARTS LIST		Plessey Peripheral Systems							PARTS LIST NO.	SH	REV LTR			
									701802	4	A			
ENTRY CHG THIS REV LTR	NOTE	PART/ASSY NO. & QTY PER ASSY								UNIT MEAS	PART NO. OR IDENTIFYING NO.	NOMENCLATURE OR DESCRIPTION	SPEC OR SOURCE	FINO D
		-107	-106	-105	-104	-103	-102	-101	-100					
		1	1	1	1	1	1				703015-100	Assy. PWB: Control Adapter Rt. Angle		4
						1	1				703145-100	Assy. PWB: Write Adapter Rt. Angle		5
						1	1				703155-100	Assy. PWB: Read Adapter Rt. Angle		6
		1	1	1	1						703145-101	Assy. PWB: Write Adapter Straight Connector		7
		1	1								703157-100	Assy. PWB: Read Adapter, Type A		8
			1		1		1			1	701891-100	Assy. Flat Cable: Control, 50 Cond, 10 ft.		9
		1		1		1			1		701891-101	Assy. Flat Cable: Control, 50 Cond, 20 ft.		10
			1		1		1			1	701891-102	Assy. Flat Cable: Read, 26 Cond, 10 ft.		11
		1		1		1			1		701891-103	Assy. Flat Cable: Read, 26 Cond, 20 ft.		12
			1		1		1			1	701891-104	Assy. Flat Cable: Write 26 Cond, 10 ft.		13
		1		1		1			1		701891-105	Assy. Flat Cable: Write 26 Cond, 20 ft.		14

The information hereon is the property of PLESSEY PERIPHERAL SYS. Transmittal receipt or possession of the information does not imply license, or imply any rights to use, sell, or manufacture from this information and no reproduction or publication of it, in whole or in part, shall be made without written authorization from PLESSEY PERIPHERAL SYS.

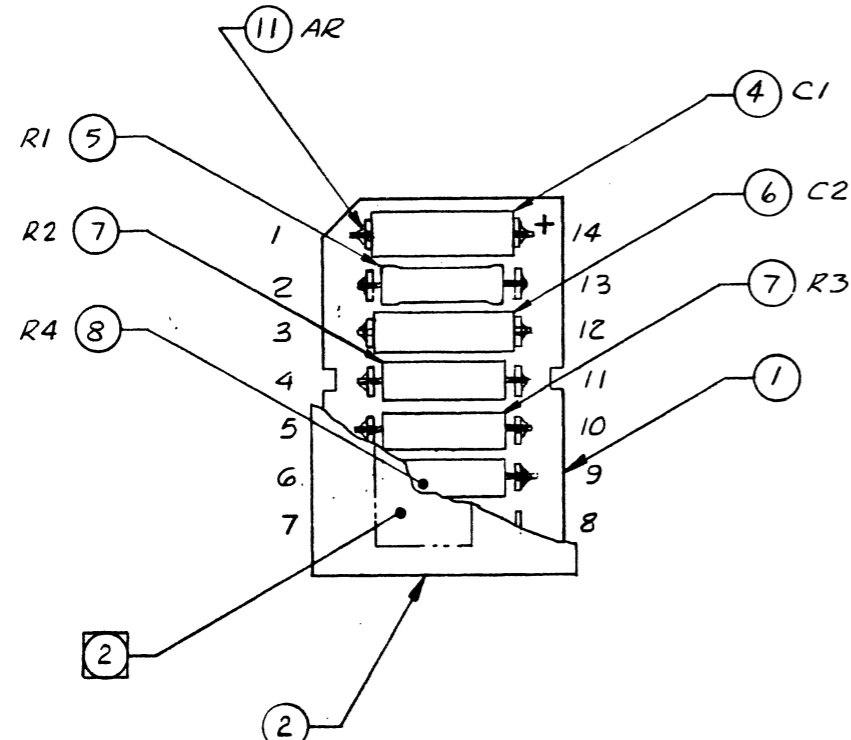
SIZE **B** CODE IDENT NO. 52648 DWG NO. 701802 SHEET 2 OF 2

SCALE REV A

The information herein is the property of PLESSEY PERIPHERAL SYS. Transmittal receipt or possession of the information does not comply, license, or imply any rights to use, sell, or manufacture from this information and no reproduction or publication of it, in whole or in part, shall be made without written authorization from PLESSEY PERIPHERAL SYS.

REVISIONS				
ZONE	LTR	DESCRIPTION	DATE	APPROVED
/	A	REL TO PROD E02607	10-11-78	[Signature]
/	B	INCOMP E02875	2-12-79	[Signature]

701528



VERSION NUMBER	TAPE DRIVE SPEED (IPS)
-100	12.5
-101	25
-102	37.5
-103	45
-104	75
-105	125

PRODUCTION RELEASE

X										FOR PARTS LIST SEE PL 701528-105			6
	X												5
		X											4
			X										3
				X									2
					X					FOR PARTS LIST SEE PL 701528-100			1

PART/ASSY NO. & QTY PER ASSY						PARTS LIST								
-105	-104	-103	-102	-101	-100	NOTE	PART OR IDENTIFYING NO.	NOMENCLATURE OR DESCRIPTION / MATERIAL				SPEC/SOURCE	CODE IDENT NO.	FIND NO.
B	B	B	B	B	B									
PART/ASSY REV LTR						DO NOT SCALE DRAWING								
-105	701690-105				PM-TC11	SCREW THREADS PER HANDBOOK H-28								
-104		-104				COUNTERBORE AND SPOTFACE FILLET RADI TO BE .010 MAXIMUM								
-103		-103				REMOVE ALL BURRS AND BREAK SHARP EDGES EQUIVALENT TO .010R								
-102		-102				ROUGHNESS OF MACHINED SURFACES 125/ PER USAS B46.1								
-101		-101				STANDARD HOLE TOLERANCE PER AND 10307								
-100	701690-100				PM-TC11	TOLERANCES ON: .XX = ± .03 .XXX = ± .010 ANGLES = ± 0° 30'								
PART NO.	NEXT ASSY	USED ON				INTERPRET DIMENSIONS AND TOLERANCES PER USAS Y14.5								
APPLICATION						DIMENSIONS ARE IN INCHES AND APPLY AFTER HEAT TREAT AND FINISH UNLESS OTHERWISE SPECIFIED								

2. MARK ASSEMBLY PART NO. & LATEST REVISION LETTER USING WHITE INK PER MIL-M-13231, GROUP III.
 1. ASSEMBLE & INSPECT PER WORKMANSHIP STANDARDS MANUAL

NOTES: UNLESS OTHERWISE SPECIFIED

Plessey Peripheral Systems

CONTRACT NO.
 DRAWN L. LAMBERT 2-3-78
 CHECK L. Frankis 2-10-78
 ENGR
 PROJ. ENGR [Signature] 2/27/78
 PROD. DESIGN [Signature] 2/27/78
 OTHER [Signature] 2-28-78
 APPROVALS

DWG TITLE
 ADAPTOR ASSEMBLY COMPONENT MOUNTING
 SIZE CODE IDENT NO. DWG NO.
 C 52648 701528
 SCALE: 4/1 SHEET 1 OF 1
 DISTR NO. 1234706

PARTS LIST	Plessey Microsystems	PREPARED BY	L. LAMBERT	23-78	PARTS LIST NO.	PL 701528-100	REV LTR	A
		CHECKED BY	R. Funkis	2-10-78	CODE IDENT NO.	52648	SH	1
		RESP ENG	Domeny	7/27/78	52648	13	OF	2
		APPRV			MODEL NO.	PM-TC11		
REV TITLE:		ADAPTER ASSY, 12-5 IPS						
DOC CONTROL		M. J. D. 2228						

LTR	DESCRIPTION	DATE	APPROVED	LTR	DESCRIPTION	DATE	APPROVED
A	REL TO PROD EO 2607	10-11-78	<i>[Signature]</i>				

PRODUCTION RELEASE

REV STATUS OF SHEETS	REV LTR	A	A															
SHEET	1	2	3	4	5	6	7	8	9	10								

PARTS LIST	Plessey Microsystems	CODE IDENT NO.	52648	PARTS LIST NO.	PL 701528-100	SH	2	REV LTR	A
-------------------	----------------------	----------------	-------	----------------	---------------	----	---	---------	---

QTY REQD	PART OR IDENTIFYING NO.	NOMENCLATURE OR DESCRIPTION	SPECIFICATION	CODE IDENT NO.	ZONE	FIN NO.	S Y M	C/I USAGE				
								C/I CODE	INV ON HAND	P A R	UNIT COST	
1	KP14-5	DIP PLUG, 14 PIN	KONEX			1						
1	14-170-C	COVER, DIP PLUG	KONEX			2						
						3						
1	162D224X 9035BC2	CAPACITOR/.22µf, ±10%, 35V	SPRAGUE			4						
1	RC07GF472J	RESISTOR/4.7K ±5%, 1/4W	MIL-R-11			5						
1	CK12BX 102K	CAPACITOR/1000pf, ±10%, 100V	MIL-C-11015			6						
2	RC07GF153J	RESISTOR/15K, ±5%, 1/4W	MIL-R-11			7						
1	RC07GF272J	RESISTOR/2.7K, ±5%, 1/4W	MIL-R-11			8						
						9						
						10						
REF	SN60 WRAP3	SOLDER	QQ-S-571			11						
						12						
						13						

The information hereon is the property of PLESSEY PERIPHERAL SYS. Transmittal receipt or possession of the information does not comply, license, or imply any rights to use, sell, or manufacture from this information, and no reproduction or publication of it, in whole or in part, shall be made without written authorization from PLESSEY PERIPHERAL SYS.

SIZE **B** CODE IDENT NO. **52648** DWG NO. **PL 701528-100** REV **A** SHEET **1** OF **1**

SCALE **A**

PARTS LIST	Plessey Microsystems	PREPARED BY	L. LAMBERT	23-78	PARTS LIST NO.	PL 701528-101	REV LTR	A
		CHECKED BY	L. Junkie	2-10-78	CODE IDENT NO.	52648	1234570	SH 1
ADAPTER ASSY, 25 IPS		DESIGNED BY	L. Junkie	7-27-78	52648	B	OF 2	
		APPROVED			MODEL NO.	PM-TC11		
		DOC CONTROL	R. J. ...	2-28-78				

LTR	DESCRIPTION	DATE	APPROVED	LTR	DESCRIPTION	DATE	APPROVED
A	REL TO PROD EO 2607	10-11-78	[Signature]				

PRODUCTION RELEASE

REV STATUS OF SHEETS	REV LTR	A	A														
SHEET	1	2	3	4	5	6	7	8	9	10							

PARTS LIST	Plessey Microsystems	CODE IDENT NO.	52648	PARTS LIST NO.	PL 701528-101	SH	2	REV LTR	A
------------	----------------------	----------------	-------	----------------	---------------	----	---	---------	---

QTY REQD	PART OR IDENTIFYING NO.	NOMENCLATURE OR DESCRIPTION	SPECIFICATION	CODE IDENT NO.	ZONE	F I N O. D	S Y M	C/I USAGE				
								C/I CODE	INV ON HAND	P A R	UNIT COST	
1	KP14-5	DIP PLUG, 14 PIN	KONEX			1						
1	14-170-C	COVER, DIP PLUG	KONEX			2						
						3						
1	162D224X 9035BC2	CAPACITOR/.22µf, 10%, 35V	SPRAGUE			4						
1	RC07GF472J	RESISTOR/4.7K ±5%, 1/4W	MIL-R-11			5						
1	CK12BX 471K	CAPACITOR/470µf, 10%, 100V	MIL-C-11015			6						
2	RC07GF752J	RESISTOR/7.5K ±5%, 1/4W	MIL-R-11			7						
1	RC07GF132J	RESISTOR/1.3K, ±5%, 1/4W	MIL-R-11			8						
						9						
						10						
REF	SN60 WRAP3	SOLDER	QQ-S-571			11						
						12						
						13						

The information hereon is the property of PLESSEY PERIPHERAL SYS. Transmittal receipt or possession of the information does not comply, license, or imply any rights to use, sell, or manufacture from this information and no reproduction or publication of it, in whole or in part, shall be made without written authorization from PLESSEY PERIPHERAL SYS.

Form 000087

SIZE **B** SCALE **A** REV **A** SHEET **1** of **1**



PARTS LIST	Plessey Microsystems		PREPARED BY	L. LAMBERT	23-78	PARTS LIST NO.	PL 701528-102	REV LTR	A
			CHECKED BY	L. Trunkis	2-10-78	CODE IDENT NO.	52648	SHEET	1
			RESP ENG	L. Demsky	2/27/78			OF	2
			APPROV						
			DOC CONTROL	W. Lane	2-28-78	MODEL NO.	PM-TC11		
ADAPTER ASSY, 37.5 IPS									

LTR	DESCRIPTION	DATE	APPROVED	LTR	DESCRIPTION	DATE	APPROVED
A	REL TO PROD E02607	10-11-78	<i>L. Trunkis</i>				

PRODUCTION RELEASE

REV STATUS OF SHEETS	REV LTR	A	A														
SHEET		1	2	3	4	5	6	7	8	9	10						

PARTS LIST	Plessey Microsystems		CODE IDENT NO.	52648	PARTS LIST NO.	PL 701528-102	SHEET	2	REV LTR	A
------------	----------------------	--	----------------	-------	----------------	---------------	-------	---	---------	---

QTY REQD	PART OR IDENTIFYING NO.	NOMENCLATURE OR DESCRIPTION	SPECIFICATION	CODE IDENT NO.	ZONE	F I N O D	S Y N	C/I USAGE				
								C/I CODE	INV ON HAND	P A R	UNIT COST	
1	K114-5	DIP PLUG, 14 PIN	KONEX			1						
1	14-170-C	COVER, DIP PLUG	KONEX			2						
						3						
1	162D224X 9035BC2	CAPACITOR/.22µf, 10%, 35V	SPRAGUE			4						
1	RC07GF472J	RESISTOR/4.7K ±5%, 1/4W	MIL-R-11			5						
1	CK12BX 331K	CAPACITOR/330pf, 10%, 100V	MIL-C-11015			6						
2	RC07GF512J	RESISTOR/5.1K, ±5%, 1/4W	MIL-R-11			7						
1	RC07GF911J	RESISTOR/910Ω, ±5%, 1/4W	MIL-R-11			8						
						9						
						10						
REF	SN60 WRAP3	SOLDER	QQ-S-571			11						
						12						
						13						

The information hereon is the property of PLESSEY PERIPHERAL SYS. Transmittal receipt or possession of the information does not comply, license, or imply any rights to use, sell, or manufacture from this information and no reproduction or publication of it, in whole or in part, shall be made without written authorization from PLESSEY PERIPHERAL SYS.

SIZE	CODE IDENT NO.	DWG NO.
B	52648	PL 701528-102
SCALE	REV	SHEET
	A	1 of 1

PARTS LIST	Plessey Microsystems	PREPARED BY	L. Lambert	23-78	PARTS LIST NO.	PL 701528-103	REV LTR	A
		CHECKED BY	X. Tunkis	2-10-78				
ADAPTER ASSY, 45 IPS		RESP	J. Dornsky	2/27/78	CODE IDENT NO.	52648	SH	1
		APPRV					OF	2
		DOC CONTROL	W. Lano	2-28-78	MODEL NO.	PM-TC11		

LTR	DESCRIPTION	DATE	APPROVED	LTR	DESCRIPTION	DATE	APPROVED
A	REL TO PROD E02607	10-11-78	[Signature]				

PRODUCTION RELEASE

REV STATUS OF SHEETS	REV LTR	A	A											
	SHEET	1	2	3	4	5	6	7	8	9	10			

PARTS LIST	Plessey Microsystems	CODE IDENT NO.	52648	PARTS LIST NO.	PL 701528-103	SH	2	REV LTR	A
------------	----------------------	----------------	-------	----------------	---------------	----	---	---------	---

QTY REQD	PART OR IDENTIFYING NO.	NOMENCLATURE OR DESCRIPTION	SPECIFICATION	CODE IDENT NO.	ZONE	F I N D	S W H	C/I USAGE				
								C/L CODE	INV ON HAND	P A R	UNIT COST	
1	KP1A-5	DIP PLUG, 14 PIN	KONEX				1					
1	14-170-C	COVER, DIP PLUG	KONEX				2					
							3					
1	162D224X 9035BC2	CAPACITOR/.22µf, 10%, 35V	SPRAGUE				4					
1	RC07GF472J	RESISTOR/4.7K ±5%, 1/4W	MIL-R-11				5					
1	CK12BX 271K	CAPACITOR/270p, 10%, 100V	MIL-C-11015				6					
2	RC07GF432J	RESISTOR/4.3K, ±5%, 1/4W	MIL-R-11				7					
1	RC07GF751J	RESISTOR/750Ω, ±5%, 1/4W	MIL-R-11				8					
							9					
							10					
REF	SN60 WRAP3	SOLDER	QQ-S-571				11					
							12					
							13					

The information hereon is the property of PLESSEY PERIPHERAL SYS. Transmittal receipt or possession of the information does not comply, license, or imply any rights to use, sell, or manufacture from this information and no reproduction or publication of it, in whole or in part, shall be made without written authorization from PLESSEY PERIPHERAL SYS.

SIZE	CODE IDENT NO.	DWG NO.	SHEET
B	52648	PL 701528-103	1 of 1
SCALE	REV	A	

PARTS LIST	Plessey Microsystems		PREPARED BY	L. LAMBERT	23-78	PARTS LIST NO.	PL 701528-104	REV LTR	A
	ADAPTER ASSY, 75 IPS		CHECKED BY	J. Tankis	2-10-78	CODE IDENT NO.	52648	SH	1
			RESP	J. Downey	7/27/78	TR	234590	OF	2
			APPRV				B		
DOC CONTROL					MODEL NO.	PM-TC11			

LTR	DESCRIPTION	DATE	APPROVED	LTR	DESCRIPTION	DATE	APPROVED
A	REL TO PROD EO 2607	10-11-78	[Signature]				

PRODUCTION RELEASE

REV STATUS OF SHEETS	REV LTR	A	A												
SHEET		1	2	3	4	5	6	7	8	9	10				

PARTS LIST	Plessey Microsystems		CODE IDENT NO.	52648	PARTS LIST NO.	PL 701528-104	SH	2	REV LTR	A
------------	----------------------	--	----------------	-------	----------------	---------------	----	---	---------	---

QTY REQD	PART OR IDENTIFYING NO.	NOMENCLATURE OR DESCRIPTION	SPECIFICATION	CODE IDENT NO.	ZONE	F I N D	S W	C/I USAGE				
								C/I CODE	INV OR HAND	P A R	UNIT COST	
1	KP14-5	DIP PLUG, 14 PIN	KONEX			1						
1	14-170-C	COVER, DIP PLUG	KONEX			2						
						3						
1	162D224X 9035BC2	CAPACITOR/.22µf, 10%, 35V	SPRAGUE			4						
1	RC07GF472J	RESISTOR/4.7K ±5%, 1/4W	MIL-R-11			5						
1	CK12BX 181K	CAPACITOR/180pf, 10%, 100V	MIL-C-11015			6						
2	RC07GF242J	RESISTOR/2.4K, ±5%, 1/4W	MIL-R-11			7						
1	RC07GF431J	RESISTOR/430R, ±5%, 1/4W	MIL-R-11			8						
						9						
						10						
REF	SN60 WRAP3	SOLDER	QQ-S-571			11						
						12						
						13						

The information hereon is the property of PLESSEY PERIPHERAL SYS. Transmittal receipt or possession of the information does not comply, license, or imply any rights to use, sell, or manufacture from this information and no reproduction or publication of it, in whole or in part, shall be made without written authorization from PLESSEY PERIPHERAL SYS.

SIZE **B** CODE IDENT NO. **52648** DWG NO. **PL 701528-104** REV **A** SHEET **1 of 1** SCALE

Form 000087

PARTS LIST	Plessey Microsystems	PREPARED BY	L. LAMBERT	23-78	PARTS LIST NO.	PL 701528-105	REV LTR	A	
		CHECKED BY	S. Gunkin	2-10-78					
		DESIGNED BY	J. Domsky	7/27/78	CODE IDENT NO.	52648	234570	SH	1
		APPROVED				B	OF	2	
		DOC CONTROL	V. Doro	228-8	MODEL NO.	PM-TC11			

ADAPTER ASSY,
125 IPS

LTR	DESCRIPTION	DATE	APPROVED	LTR	DESCRIPTION	DATE	APPROVED
A	REL TO PROD EO2607	10-11-78	[Signature]				

PRODUCTION RELEASE

REV STATUS OF SHEETS	REV LTR	A	A												
SHEET		1	2	3	4	5	6	7	8	9	10				

PARTS LIST	Plessey Microsystems	CODE IDENT NO.	52648	PARTS LIST NO.	PL 701528-105	SH	2	REV LTR	A
------------	----------------------	----------------	-------	----------------	---------------	----	---	---------	---

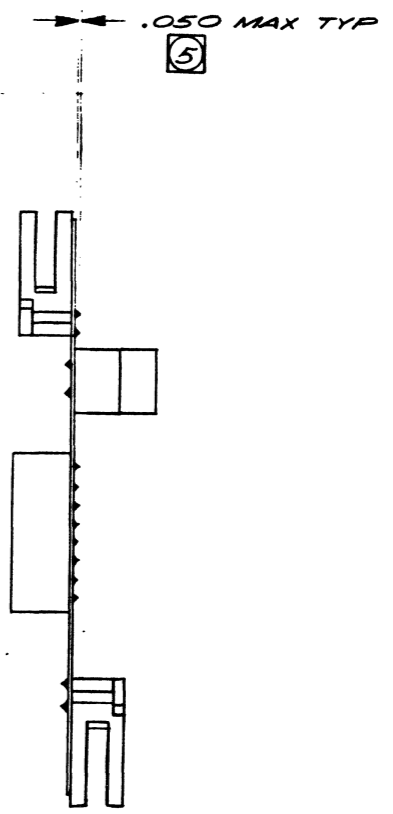
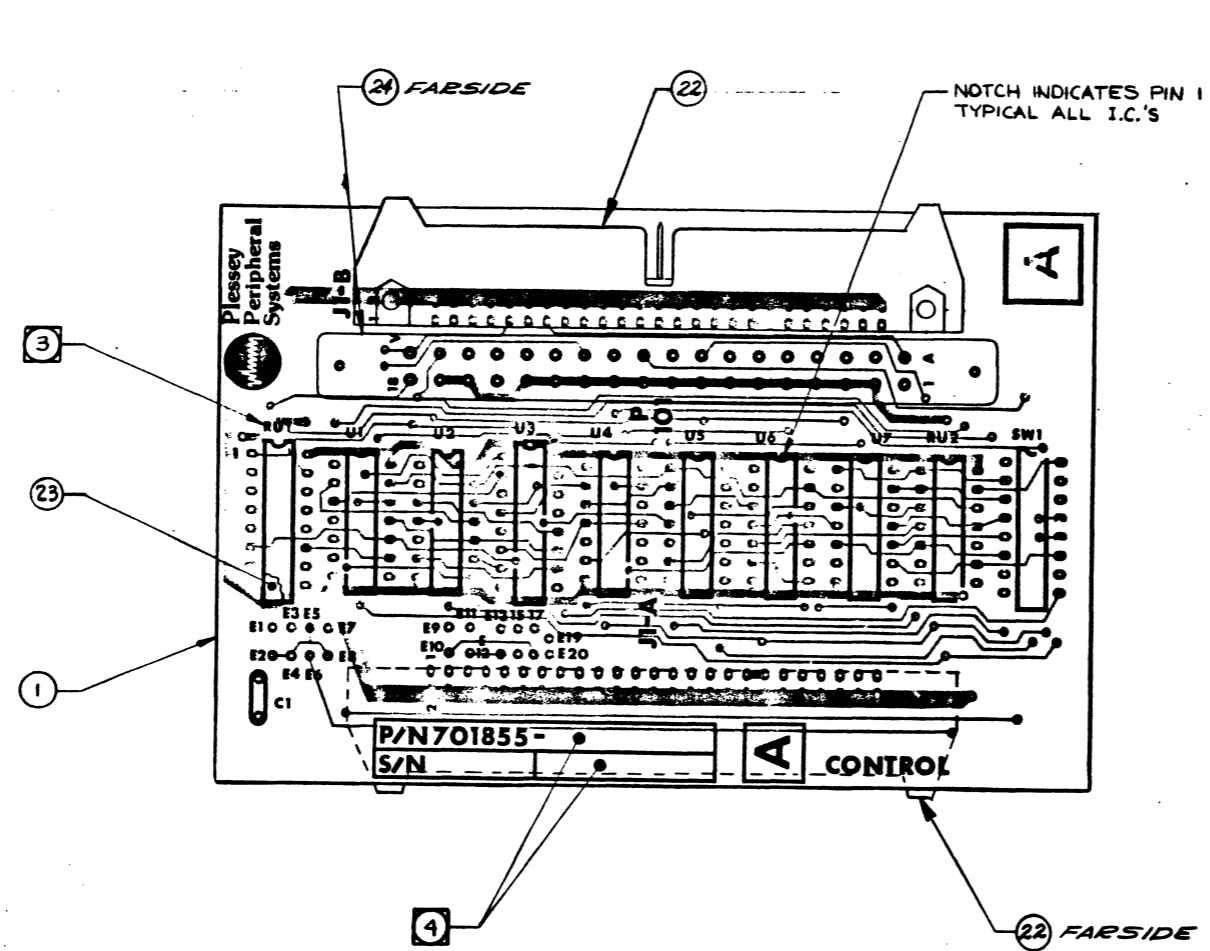
QTY REQD	PART OR IDENTIFYING NO.	NOMENCLATURE OR DESCRIPTION	SPECIFICATION	CODE IDENT NO.	ZONE	F I N D	S Y N	C/I USAGE		
								C/I CODE	INT ON HAND	PAR
1	KP14-5	DIP PLUG, 14 PIN	KONEX			1				
1	14-170-C	COVER, DIP PLUG	KONEX			2				
						3				
1	162D224X 9035BC2	CAPACITOR/.22µf, 10%, 35V	SPRAGUE			4				
1	RC07GF472J	RESISTOR/4.7K ±5%, 1/4W	MIL-R-11			5				
1	CK12BX 820K	CAPACITOR/82µf, 10%, 100V	MIL-C-11015			6				
2	RC07GF152J	RESISTOR/1.5K, ±5%, 1/4W	MIL-R-11			7				
1	RC07GF30J	RESISTOR/300Ω, ±5%, 1/4W	MIL-R-11			8				
						9				
						10				
REF	SN60 WRAP3	SOLDER	QQ-S-571			11				
						12				
						13				

The information hereon is the property of PLESSEY PERIPHERAL SYS. Transmittal receipt or possession of the information does not imply license, or imply any rights to use, sell, or manufacture from this information and no reproduction or publication of it, in whole or in part, shall be made without written authorization from PLESSEY PERIPHERAL SYS.

SIZE	CODE IDENT NO.	DWG NO.
B	52648	PL 701528-105
SCALE	REV	A
		SHEET 1 of 1

The information herein is the property of PLESSEY MEMORIES INCORPORATED. Transmittal, receipt or possession of the information does not convey, license, or imply any rights to use, sell, or manufacture from this information and no reproduction or publication of it, in whole or in part, shall be made without written authorization from PLESSEY MEMORIES INC.

REVISIONS				
ZONE	LTR	DESCRIPTION	DATE	APPROVED
	A	REL TO DEV EO 2607	10-11-78	[Signature]
	B	INCORP EO 2711	11-9-78	[Signature]



PRODUCTION RELEASE

- 5 COMPONENT LEAD TRIM AND SOLDER BUILD-UP TO BE AS NOTED.
 - 4 MARK ASSEMBLY VERSION NUMBER AND LATEST REVISION LETTER WITH .12 HIGH CHARACTERS, USING BLACK INK PER MIL-M-13231, GROUP III. LOCATION APPROXIMATELY AS SHOWN.
 - 3 COMPONENT DESIGNATIONS ARE FOR REFERENCE ONLY AND DO NOT APPEAR ON PART.
2. FOR SCHEMATIC DIAGRAM SEE SD701855.
1. ASSEMBLE AND INSPECT PER WORKMANSHIP STANDARDS MANUAL.
- NOTES: UNLESS OTHERWISE SPECIFIED

PART/ASSY NO. & QTY PER ASSY		PARTS LIST		SPEC/SOURCE		CODE IDENT NO.	FIND NO.
							5
							4
							3
							2
							1
		X	FOR PARTS LIST SEE PL701855-100				
		-100	NOTE PART OR IDENTIFYING NO.				
PART/ASSY REV LTR		DO NOT SCALE DRAWING		CONTRACT NO.		Plessey Memories Incorporated	
	B	SCREW THREADS PER HANDBOOK H-88				Santa Ana, California	
		COUNTERBORE AND SPOTFACE FILLET RADIUS TO BE .005 MAXIMUM		DRAWN JAMES NAKAYAMA 6 JUN 78		DWG TITLE BOARD ASSEMBLY CONTROL CONN. ADAPTER PM-TC11	
		REMOVE ALL BURRS AND BREAK SHARP EDGES EQUIVALENT TO .005R		CHECK L. J. JAMES 6-13-78		SIZE CODE IDENT NO. DWG NO.	
		ROUNDEDNESS OF MACHINED SURFACES PER MIL-STD-12.9		ENGR		D 52648 701855	
		STANDARD HOLE TOLERANCE PER ASME Y14.5		PROJ. ENGR J. JAMES 6/19/78		SCALE: 2/1 SHEET 1 OF 1	
		TOLERANCES ON .010 & .015 DIA. HOLE IN .010 & .015 DIA. HOLE TO .002 IF BY		PROD. DESIGN J. JAMES 6-16-78		DISTR NO. 123456	
		INTERPRET DIMENSIONS AND TOLERANCES PER USAS Y14.5		OTHER			
		DIMENSIONS ARE IN INCHES AND APPLY AFTER HEAT TREAT AND FINISH UNLESS OTHERWISE SPECIFIED		APPROVALS			
		APPLICATION					

PARTS LIST	Plessey Microsystems		PREPARED BY: R. RHYTTINEN	6-2-78	PARTS LIST NO. PL 701855-100	REV LTR A
	CHECKED BY: L. Punkis		6-13-78	CODE IDENT NO. 52648	REV LTR B	SH 1
	RESP BY: J. Demsky		4/18/78	MODEL NO. PM-TC11	REV LTR	SH 9
	APPRV					
	DOC CONTROL					

LTR	DESCRIPTION	DATE	APPROVED	LTR	DESCRIPTION	DATE	APPROVED
A	REL TO PROD EO 2607	10-11-78	[Signature]				

PRODUCTION RELEASE

REV STATUS OF SHEETS	REV LTR	A	A	A	A										
----------------------	---------	---	---	---	---	--	--	--	--	--	--	--	--	--	--

PARTS LIST	Plessey Microsystems	CODE IDENT NO. 52648	PARTS LIST NO. PL 701855-100	SH 2	REV LTR A
------------	----------------------	----------------------	------------------------------	------	-----------

REFERENCE DESIGNATION	F I N O. D	REFERENCE DESIGNATION	F I N O. D	REFERENCE DESIGNATION	F I N O. D
U1	14				
U2, 5	15				
U3	16				
U4	17				
U6, 7	18				
SW1	19				
CI	20				
J1-A, J1-B	22				
	23				
PI01	24				
RU2	25				
RU1	26				

PARTS LIST	Plessey Microsystems	CODE IDENT NO. 52648	PARTS LIST NO. PL 701855-100	SH 3	REV LTR A
------------	----------------------	----------------------	------------------------------	------	-----------

NOTE	QTY REQD	PART OR IDENTIFYING NO.	NOMENCLATURE OR DESCRIPTION	SPECIFICATION	CODE IDENT NO.	ZONE	F I N O. D	S Y M	C/I USAGE
	1	701855-001	PRINTED WIRING BOARD CONTROL COMM. ADAPTER, PM-TC11				1		
							2		
							3		
							4		
							5		
							6		
							7		
							8		
							9		
							10		
							11		
							12		
REF.	SN63-WRAP3	SOLDER					13		

PARTS LIST	Plessey Microsystems	CODE IDENT NO. 52648	PARTS LIST NO. PL 701855-100	SH 4	REV LTR A
------------	----------------------	----------------------	------------------------------	------	-----------

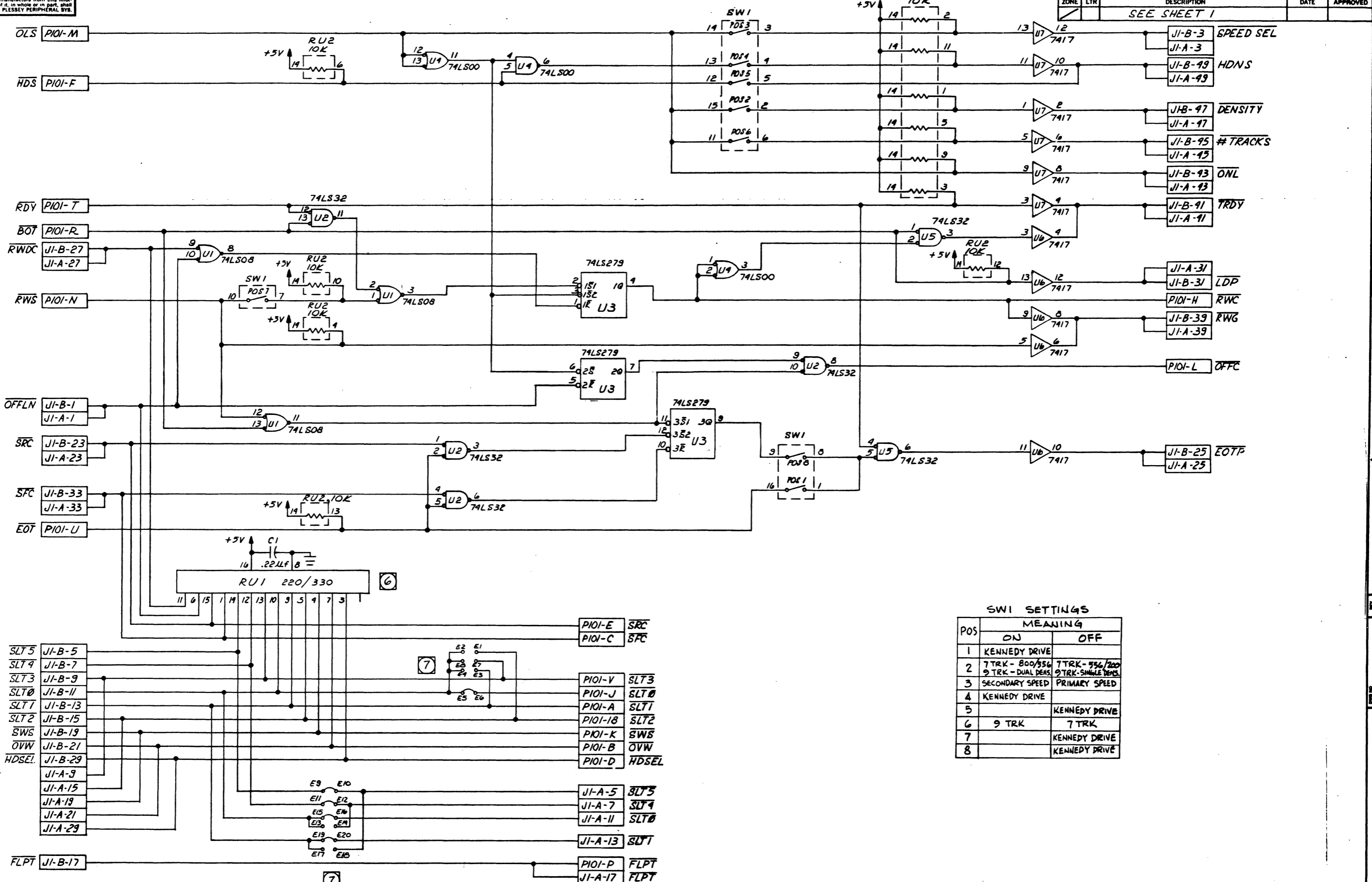
NOTE	QTY REQD	PART OR IDENTIFYING NO.	NOMENCLATURE OR DESCRIPTION	SPECIFICATION	CODE IDENT NO.	ZONE	F I N O. D	S Y M	C/I USAGE
	1	SN74LS08	I.C./QUAD 2-INPUT POS-AND GATE	T.I.			14		
	2	SN74LS32	I.C./QUAD 2-INPUT POS-OR GATE				15		
	1	SN74LS279	I.C./QUAD \bar{S} - \bar{R} LATCH				16		
	1	SN74LS00	I.C./QUAD 2-INPUT POS-NAND GATE				17		
	2	SN7417	I.C./HEX BUFFERS/DRIVERS W/OC	T.I.			18		
	1	76RSB08S	SWITCH, DIP, 8 POS	GRAYHILL			19		
	1	CK06BX 224K	CAPACITOR, 22UF, $\pm 10\%$, 50V	MIL-C-11015			20		
							21		
	2	3433-1002	CONNECTOR/50 PIN RIGHT ANGLE	3M			22		
	1	US-2-16-110-G-B	SOCKET, I.C. 16 PIN	SCANBE			23		
	1	252-18-30-210	CONNECTOR/36 CONTACT, DIP SOLDER TERMINAL	TRW			24		
	1	899-1-R10K	RESISTOR MODULE, 16 PIN DIP, 10K Ω	BECKMAN			25		
	1	898-5-R220/330	RESISTOR MODULE, 16 PIN DIP 220/330 Ω	BECKMAN			26		

The information hereon is the property of PLESSEY PERIPHERAL SYS. Transmittal receipt or possession of the information does not comply license, or imply any rights to use, sell, or manufacture from this information and no reproduction or publication of it, in whole or in part, shall be made without written authorization from PLESSEY PERIPHERAL SYS.

SIZE B 52648 SCALE REV A DWG NO. PL 701855-100 SHEET 1 OF 1

The information herein is the property of PLESSEY PERIPHERAL SYS. Transmittal receipt or possession of the information does not imply, license, or imply any rights to use, sell, or manufacture from this information and no reproduction or publication of it, in whole or in part, shall be made without written authorization from PLESSEY PERIPHERAL SYS.

REVISIONS				
ZONE	LTR	DESCRIPTION	DATE	APPROVED
		SEE SHEET 1		



SW1 SETTINGS

POS	MEANING	
	ON	OFF
1	KENNEDY DRIVE	
2	7 TRK - 800/356	7 TRK - 956/200
3	SECONDARY SPEED	PRIMARY SPEED
4	KENNEDY DRIVE	
5		KENNEDY DRIVE
6	9 TRK	7 TRK
7		KENNEDY DRIVE
8		KENNEDY DRIVE

SIZE	CODE IDENT NO.	DWG NO.
D	52648	SD701855
SCALE: 1/1	A	SHEET 2 OF 2
DISTR NO.		

The information hereon is the property of PLESSEY PERIPHERAL SYS. Transmittal receipt or possession of the information does not comply, license, or imply any rights to use, sell, or manufacture from this information and no reproduction or publication of it, in whole or in part, shall be made without written authorization from PLESSEY PERIPHERAL SYS.

701865

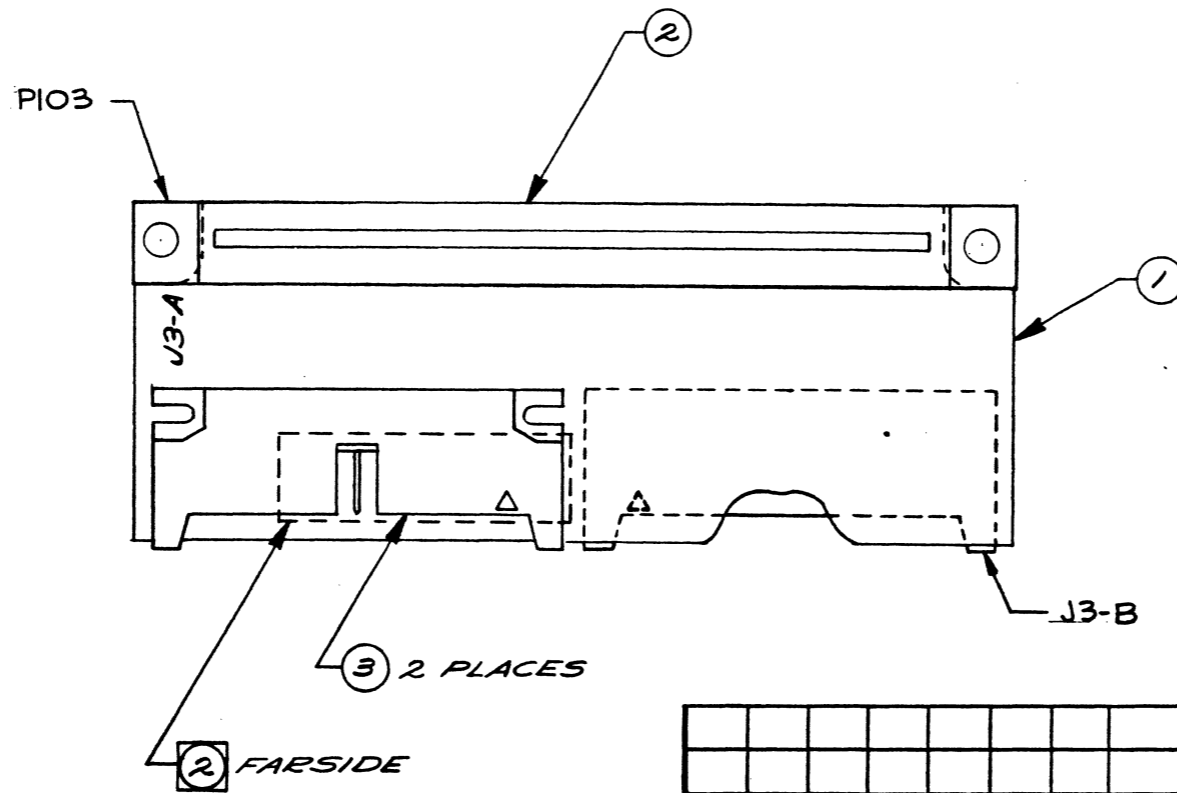
REVISIONS				
ZONE	LTR	DESCRIPTION	DATE	APPROVED
/	A	REL TO PROD E02607	10-11-78	<i>[Signature]</i>
/	B	INCOMP E02711	11-9-78	<i>[Signature]</i>

D

C

B

A



PRODUCTION RELEASE

- ③ COMPONENT LEAD TRIM AND SOLDER BUILD-UP TO BE AS NOTED.
- ② MARK ASSEMBLY VERSION NUMBER AND LATEST REVISION LETTER WITH .12 HIGH CHARACTERS, USING WHITE INK PER MIL-M-13231, GROUP III, LOCATION APPROXIMATELY AS SHOWN.

1. ASSEMBLE AND INSPECT PER WORKMANSHIP STANDARDS MANUAL.
 NOTES: UNLESS OTHERWISE SPECIFIED

PART/ASSY NO. & QTY PER ASSY		PARTS LIST		SPEC/SOURCE		CODE IDENT NO.		FIND NO.	
									5
									4
									3
									2
									1
	X								
	-100	NOTE	PART OR IDENTIFYING NO.	NOMENCLATURE OR DESCRIPTION / MATERIAL					
				FOR PARTS LIST SEE PL701865-100					

PART/ASSY REV LTR		CONTRACT NO.		Plessey Peripheral Systems	
				DWG TITLE	
				BOARD ASSEMBLY, BEAD CONNECTOR ADAPTER, PM-TC11	
				SIZE	CODE IDENT NO.
				C	52648
				DWG NO.	701865
				SCALE: 2/1	SHEET 1 OF 1
				DISTR NO. 12347018	

PARTS LIST		PREPARED BY	TOM COMEY	DATE	10-10-78	PARTS LIST NO.	PL701865-100	REV LTR	A
		CHECKED BY	R. Jenkins	DATE	10-11-78	CODE IDENT NO.	52648	SH	1
		DESIGNED BY	L. Romsky	DATE	10-11-78	REV	B	OF	2
		APPROVED BY		DATE		MODEL NO.	PM-TC11		
		DOC CONTROL		DATE	10-11-78				
PART TITLE:		BOARD ASSEMBLY, READ CONNECTOR ADAPTER							

LTR	DESCRIPTION	DATE	APPROVED	LTR	DESCRIPTION	DATE	APPROVED
A	REL TO PROD EO 2607	10-11-78	<i>[Signature]</i>				

PRODUCTION RELEASE

REV STATUS OF SHEETS	REV LTR	A	A											
SHEET		1	2	3	4	5	6	7	8	9	10			

PARTS LIST		CODE IDENT NO.	52648	PARTS LIST NO.	PL701865-100	SH	2	REV LTR	A
------------	--	----------------	-------	----------------	--------------	----	---	---------	---

QTY REQD	PART OR IDENTIFYING NO.	NOMENCLATURE OR DESCRIPTION	SPECIFICATION	CODE IDENT NO.	ZONE	FINISH	SYMBOL	C/I USAGE				
								C/I CODE	INV OR HAND	P A R	UNIT COST	
1	701864-001	PRINTED WIRING BOARD					1					
1	252-18-30-210	CONNECTOR / 36 PIN SOLDER TERMINAL	T.R.W.				2					
2	3493-1002	CONNECTOR / 26 PIN RIGHT ANGLE	3M CO.				3					
							4					
REF	5N63 WRAP3	SOLDER	QQ-S-571				5					

SIZE	B	SCALE	A
CODE IDENT NO.	52648	REV	A
DWG NO.	PL 701865-100	SHEET	1 of 1

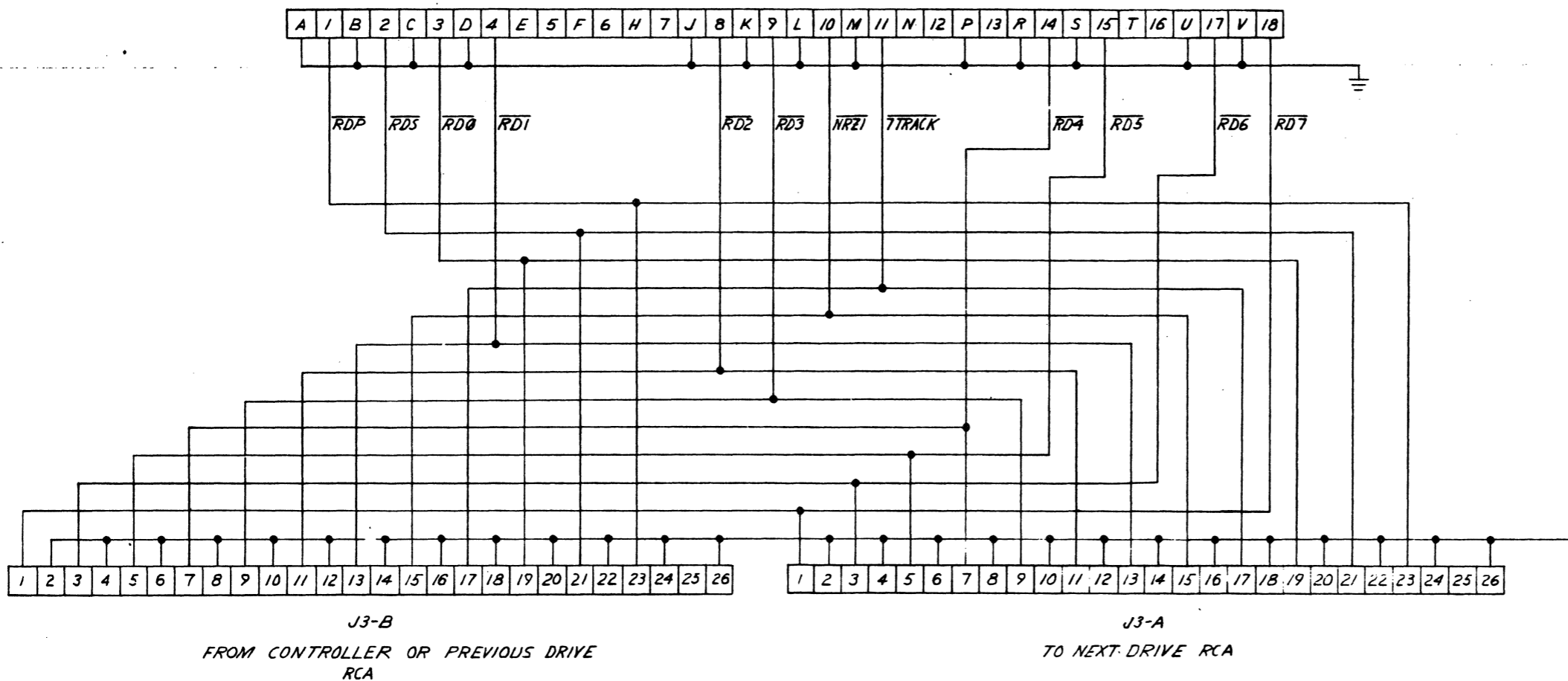
The information hereon is the property of PLESSEY PERIPHERAL SYS. Transmittal receipt or possession of the information does not comply, license, or imply any rights to use, sell, or manufacture from this information and no reproduction or publication of it, in whole or in part, shall be made without written authorization from PLESSEY PERIPHERAL SYS.

The information herein is the property of PLESSEY PERIPHERAL SYS. Transmittal receipt or possession of the information does not constitute, license, or imply any rights to use, sell, or manufacture from this information and no reproduction or publication of it, in whole or in part, shall be made without written authorization from PLESSEY PERIPHERAL SYS.

REVISIONS				
ZONE	LTR	DESCRIPTION	DATE	APPROVED
/	A	REL TO PROD E02607	10-11-78	[Signature]

SD701865

DRIVE READ CONNECTOR
P103



PRODUCTION RELEASE

PART/ASSY NO. & QTY PER ASSY		NOTE	PART OR IDENTIFYING NO.	NOMENCLATURE OR DESCRIPTION / MATERIAL	SPEC/SOURCE	CODE IDENT NO.	FIND NO.
PART/ASSY REV LTR <td colspan="6">PARTS LIST</td>		PARTS LIST					
DO NOT SCALE DRAWING		CONTRACT NO.					
SCREW THREADS PER HANDBOOK H-28		DRAWN <i>[Signature]</i> 10-10-78					
COUNTERBORE AND SPOTFACE FILLET RADI TO BE .010 MAXIMUM		CHECK <i>[Signature]</i> 10-11-78					
REMOVE ALL BURRS AND BREAK SHARP EDGES EQUIVALENT TO .010"		ENGR <i>[Signature]</i> 10-11-78					
ROUGHNESS OF MACHINED SURFACES 125/ PER USAS B46.1		PROJ. ENGR <i>[Signature]</i> 10-11-78					
STANDARD HOLE TOLERANCE PER AMS 3587		PROD. DESIGN <i>[Signature]</i> 10-11-78					
TOLERANCES ON: .001" ± .0005 .002" ± .001 .005" ± .001 .010" ± .002		OTHER APPROVALS					
ANGLES = ± 30°		SIZE CODE IDENT NO. DWG NO.					
INTERPRET DIMENSIONS AND TOLERANCES PER USAS Y14.5		D 52648 SD701865					
DIMENSIONS ARE IN INCHES AND APPLY AFTER HEAT TREAT AND FINISH UNLESS OTHERWISE SPECIFIED		SCALE: — SHEET 1 OF 1					

1. FOR ASSEMBLY DRAWING SEE 701865.

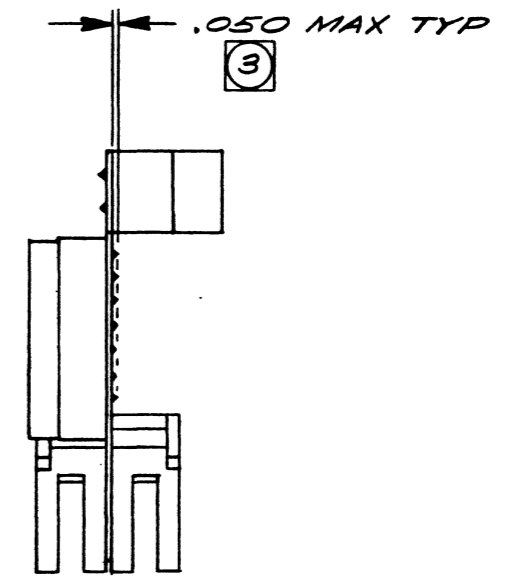
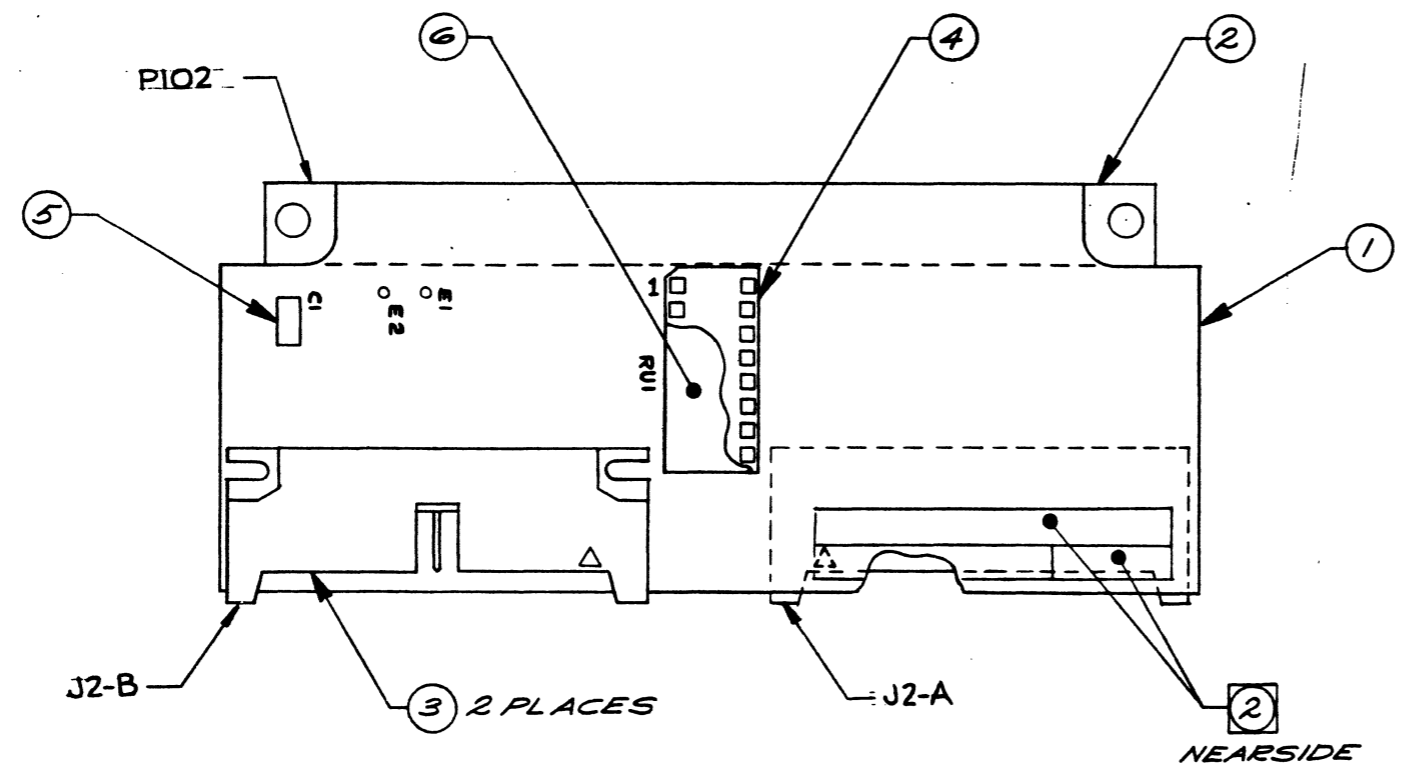
NOTES: UNLESS OTHERWISE SPECIFIED

The information hereon is the property of PLESSEY PERIPHERAL SYS. Transmittal receipt or possession of the information does not comply, license, or imply any rights to use, sell, or manufacture from this information and no reproduction or publication of it, in whole or in part, shall be made without written authorization from PLESSEY PERIPHERAL SYS.

REVISIONS				
ZONE	LTR	DESCRIPTION	DATE	APPROVED
/	A	REL TO PROD E02607	10-12-78	[Signature]
/	B	INCORP E0 2711	11-9-78	[Signature]

701875

D
C
B
A



PRODUCTION RELEASE

PART/ASSY NO. & QTY PER ASSY	NOTE	PART OR IDENTIFYING NO.	NOMENCLATURE OR DESCRIPTION / MATERIAL	SPEC/SOURCE	CODE IDENT NO.	FIND NO.
	X		FOR PARTS LIST SEE PL701875-100			1
	-100					

- ③ COMPONENT LEAD TRIM AND SOLDER BUILD-UP TO BE AS NOTED.
 - ② MARK ASSEMBLY VERSION NUMBER AND LATEST REVISION LETTER WITH .12 HIGH CHARACTERS, USING WHITE INK PER MIL-M-13231, GROUP III. LOCATION APPROXIMATELY AS SHOWN.
1. ASSEMBLE AND INSPECT PER WORKMANSHIP STANDARDS MANUAL.

NOTES: UNLESS OTHERWISE SPECIFIED

PART/ASSY REV LTR		DO NOT SCALE DRAWING		CONTRACT NO.		Plessey Peripheral Systems	
		SCREW THREADS PER HANDBOOK H-38				DRAWN TOM COMEY 10-10-78	
		COUNTERBORE AND SPOTFACE FILLET RADII TO BE .010 MAXIMUM				CHECK [Signature] 10-11-78	
		REMOVE ALL BURRS AND BREAK SHARP EDGES EQUIVALENT TO .010R				ENGR [Signature]	
		ROUGHNESS OF MACHINED SURFACES 125/ PER USAS B46.1				PROJ. ENGR [Signature] 10-11-78	
		STANDARD HOLE TOLERANCE PER AND 10387				PROD. DESIGN [Signature] 10-11-78	
		TOLERANCES ON: JX = ± .03 JOX = ± .010 ANGLES = ± 0° 30'				SIZE C CODE IDENT NO. 52648 DWG NO. 701875	
		INTERPRET DIMENSIONS AND TOLERANCES PER USAS Y14.5				SCALE: 2/1 SHEET 1 OF 1	
		DIMENSIONS ARE IN INCHES AND APPLY AFTER HEAT TREAT AND FINISH UNLESS OTHERWISE SPECIFIED				DISTR NO. 12317018	
-100		PM-TC11		OTHER APPROVALS			
PART NO.		NEXT ASSY		USED ON			
		APPLICATION					

PARTS LIST		Plessey Microsystems	PREPARED BY	TOM COMEY	10-10-78	PARTS LIST NO.	PL701875-100	REV LTR	A
			CHECKED BY	L. Frankis	10-11-78		CODE IDENT NO.		52648
ITEM TITLE:			RESP	L. Domachy	10-11-78	52648	B	OF	2
BOARD ASSEMBLY, WRITE CONNECTOR ADAPTER			APPRV			MODEL NO.	PM-TC11		
			DOC CONTROL						

LTR	DESCRIPTION	DATE	APPROVED	LTR	DESCRIPTION	DATE	APPROVED
A	REL TO PRODED 2607	10-12-78	<i>[Signature]</i>				

PRODUCTION RELEASE

REV STATUS OF SHEETS	REV LTR	A	A														
SHEET		1	2	3	4	5	6	7	8	9	10						

PARTS LIST		Plessey Microsystems	CODE IDENT NO.	52648	PARTS LIST NO.	PL701875-100	SH	2	REV LTR	A
-------------------	--	----------------------	----------------	-------	----------------	--------------	----	---	---------	---

QTY REQD	PART OR IDENTIFYING NO.	NOMENCLATURE OR DESCRIPTION	SPECIFICATION	CODE IDENT NO.	ZONE	FINISH	SYN	C/I USAGE				
								C/I CODE	INV ON HAND	P A R	UNIT COST	
1	701874-001	PRINTED WIRING BOARD				1						
1	252-18-30-210	CONNECTOR / 36 PIN SOLDER TERMINAL	TRW			2						
2	3493-1002	CONNECTOR / 26 PIN RIGHT ANGLE	3M CO.			3						
1	US-2-16-110-6-B	SOCKET, I.C., 16 PIN	SCANBE			4						
1	CK06BX 224K	CAPACITOR / 22UF, ±10%, 50V	MIL-C-1015			5						
1	898-5-R200/300	RESISTOR MODULE	BECKMAN			6						
REF	SNG3 WEAP3	SOLDER	QQ-S-571									

The information hereon is the property of PLESSEY PERIPHERAL SYS. Transmittal receipt or possession of the information does not imply license, or imply any rights to use, sell, or manufacture from this information and no reproduction or publication of it, in whole or in part, shall be made without written authorization from PLESSEY PERIPHERAL SYS.

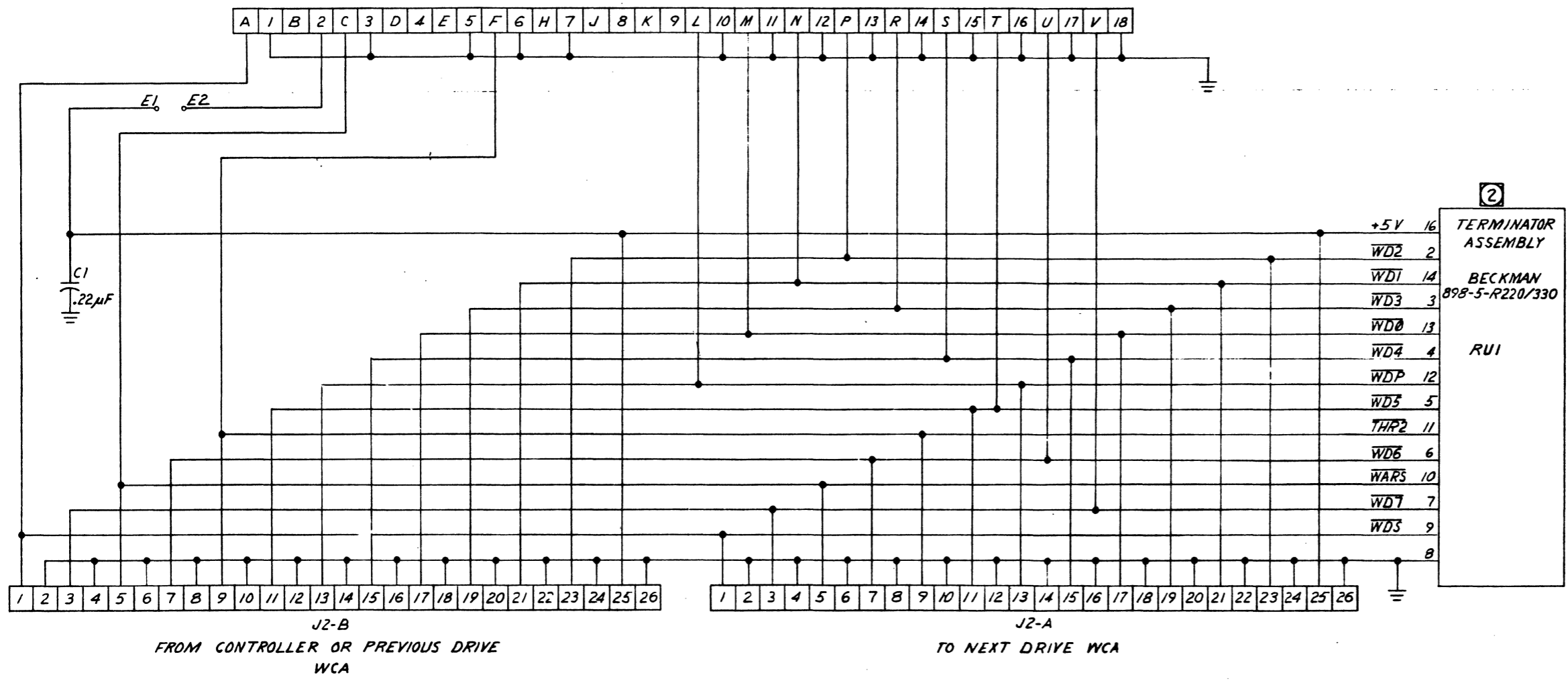
SIZE	B	CODE IDENT NO.	52648	DWG NO.	PL 701875-100
SCALE		REV	A	SHEET	1 of 1

The information herein is the property of PLESSEY PERIPHERAL SYS. Transmittal receipt or possession of the information does not comply, license, or imply any rights to use, sell, or manufacture from this information and no reproduction or publication of it, in whole or in part, shall be made without written authorization from PLESSEY PERIPHERAL SYS.

REVISIONS				
ZONE	LTR	DESCRIPTION	DATE	APPROVED
/	A	REL TO PROD ED 2607	10-11-78	✓

SD701875

DRIVE WRITE CONNECTOR
PI02



②	TERMINATOR ASSEMBLY
WD2	2
WD1	14
WD3	3
WD0	13
WD4	4
WDP	12
WDS	5
THR2	11
WDS	6
WAS	10
WD7	7
WDS	9
	8

PRODUCTION RELEASE

PART/ASSY NO. & QTY PER ASSY		DO NOT SCALE DRAWING		CONTRACT NO.	
PART/ASSY REV LTR		SCREW THREADS PER HANDBOOK H-8		DRAWN <i>J. W. ...</i> 6-25-78	
APPLICATION		COUNTERBORE AND SPOTFACE FILLET RADI TO BE AS MAXIMUM		CHECK <i>L. ...</i> 6-13-78	
		REMOVE ALL BURRS AND BREAK SHARP EDGES EQUIVALENT TO 5R		ENGR	
		ROUNDEDNESS OF MACHINED SURFACES 3R PER USAS D1.1		PROJ. ENGR <i>J. ...</i> 6/14/78	
		STANDARD HOLE TOLERANCE PER AND 2007		PROD. DESIGN <i>J. ...</i> 6-14-78	
		TOLERANCES ON .25" & .50" DIA. HOLE ± .005		OTHER APPROVALS	
		DIMENSIONS ARE IN INCHES AND APPLY AFTER HEAT TREAT AND FINISH		DWG TITLE SCHEMATIC DIAGRAM WRITE CONNECTOR ADAPTOR (WCA) PM-TC/11	
		UNLESS OTHERWISE SPECIFIED		SIZE CODE IDENT NO. DWG NO.	
				D 52648 SD701875	
				SCALE: — SHEET 1 OF 1	

② RUI TERMINATOR TO BE INSTALLED FOR LAST DRIVE ONLY.
1. FOR ASSEMBLY DRAWING SEE 701875.
NOTES: UNLESS OTHERWISE SPECIFIED

PARTS LIST	Plessey Peripheral Systems	PREPARED BY <i>R. P. Hyttinen</i>	6-2-78	PARTS LIST NO. PL 703015-100	REV LTR A
BOARD ASSEMBLY CONTROL CONNECTOR ADAPTER, RIGHT ANGLE PM-TC11		CHECKED BY <i>R. Turckia</i>	9-11-78	CODE IDENT NO. 52648	SH 1 OF 4
		DESIGNED BY <i>W. R. B. H...</i>	9-28-78	MODEL NO. FM-TC11	
		APPROVED BY <i>[Signature]</i>	2-28-79		
		DOC CONTROL <i>[Signature]</i>	2-16-79		

LTR	DESCRIPTION	DATE	APPROVED	LTR	DESCRIPTION	DATE	APPROVED
A	REL TO PROD EO 2865	2-14-79	<i>[Signature]</i>				

PRODUCTION RELEASE

REV STATUS OF SHEETS	REV LTR	A	A	A	A										
	SHEET	1	2	3	4	5	6	7	8	9	10				

PARTS LIST	Plessey Microsystems	CODE IDENT NO. 52648	PARTS LIST NO. PL 703015-100	SH 2	REV LTR A
-------------------	-----------------------------	-------------------------	---------------------------------	------	--------------

REFERENCE DESIGNATION	F I N D N O.	REFERENCE DESIGNATION	F I N D N O.	REFERENCE DESIGNATION	F I N D N O.	REFERENCE DESIGNATION	F I N D N O.
U1	14						
U2, 5	15						
U3	16						
U4	17						
U6, 7	18						
SW1	19						
CI	20						
J1-A, J1-B	22						
	23						
PIO1	24						
RUZ	25						
RUI	26						

PARTS LIST	Plessey Microsystems	CODE IDENT NO. 52648	PARTS LIST NO. PL 703015-100	SH 3	REV LTR A
-------------------	-----------------------------	-------------------------	---------------------------------	------	--------------

NOTE	QTY REQD	PART OR IDENTIFYING NO.	NOMENCLATURE OR DESCRIPTION	SPECIFICATION	CODE IDENT NO.	ZONE	F I N D N O.	S Y M	C/I USAGE
	1	703014-001	PRINTED WIRING BOARD CONTROL CONN. ADAPTER, PM-TC11				1		
							2		
							3		
							4		
							5		
							6		
							7		
	2	NW4-2816-NAT	WASHER, FLAT, #4 NYLON	WELKESER			8		
	2	NAS620C4L	WASHER, FLAT, #4				9		
	2	MS-5957-19	SCREW, 4-40 X 3/4, PAN HD				10		
	2	MS-35649-244	NUT, HEX, 4-40				11		
	2	MS-35333-70	WASHER, LOCK, INT, NO. 4				12		
AR		SN63-WRAP3	SOLDER		00-S-571		13		

PARTS LIST	Plessey Microsystems	CODE IDENT NO. 52648	PARTS LIST NO. PL 703015-100	SH 4	REV LTR A
-------------------	-----------------------------	-------------------------	---------------------------------	------	--------------

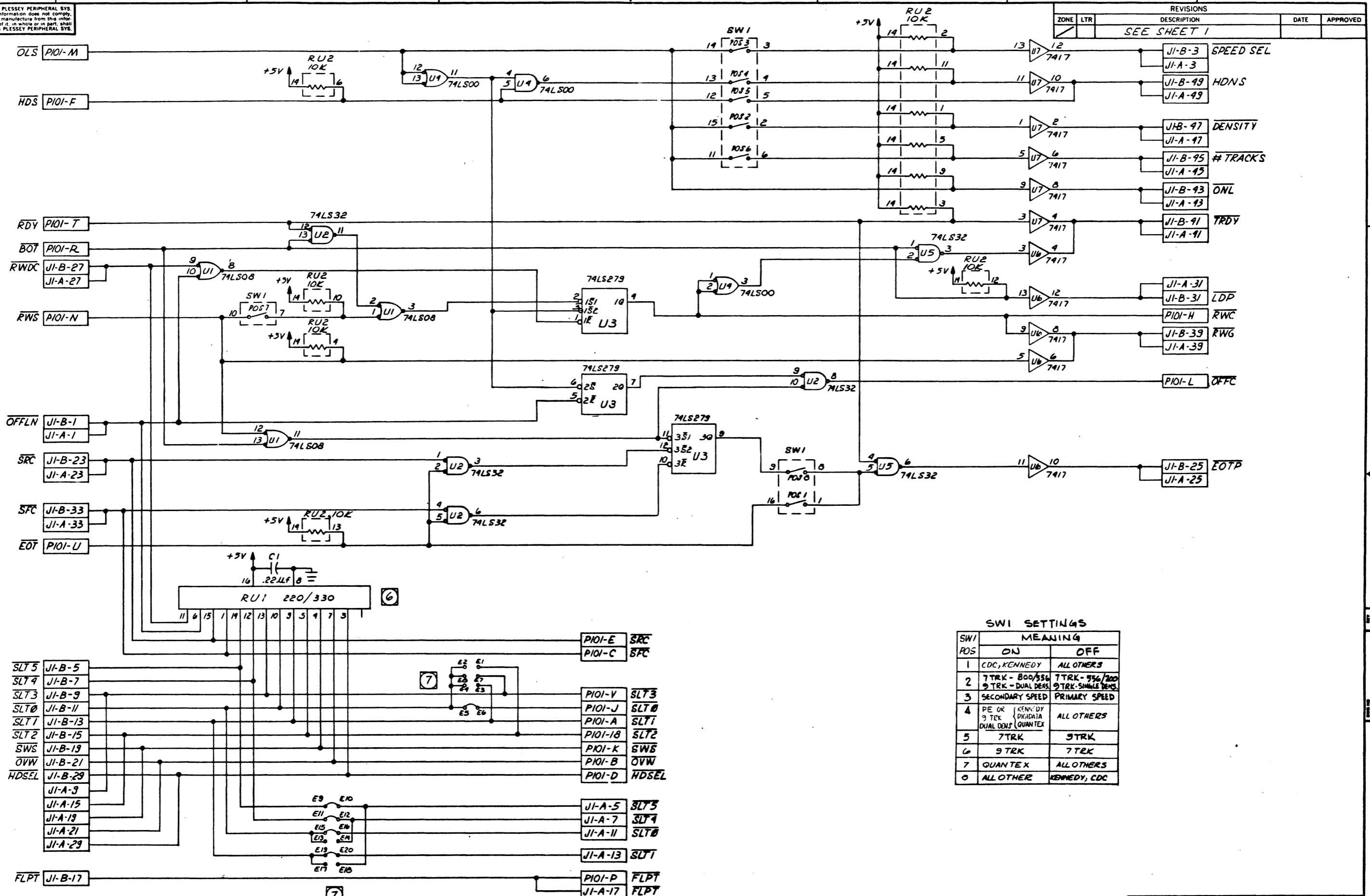
NOTE	QTY REQD	PART OR IDENTIFYING NO.	NOMENCLATURE OR DESCRIPTION	SPECIFICATION	CODE IDENT NO.	ZONE	F I N D N O.	S Y M	C/I USAGE
	1	SN74LS08	I.C./QUAD 2-INPUT POS-AND GATE	T.I.			14		
	2	SN74LS32	I.C./QUAD 2-INPUT POS-OR GATE				15		
	1	SN74LS279	I.C./QUAD \bar{S} - \bar{R} LATCH				16		
	1	SN74LS00	I.C./QUAD 2-INPUT POS-NAND GATE				17		
	2	SN7417	I.C./HEX BUFFERS /DRIVERS W/OC	T.I.			18		
	1	76RS80BS	SWITCH, DIP, 8 POS	GRAYHILL			19		
	1	CK06BX 229K	CAPACITOR/22UF, ±10%, 50V	MIL-C-11015			20		
							21		
	2	3933-1002	CONNECTOR/50 PIN RIGHT ANGLE	3M			22		
	1	US-2-16-110-G-B	SOCKET, I.C. 16 PIN	SCANBE			23		
	1	8BDJ 18Mφ	CONNECTOR/36 CONTACT, DIP, RIGHT ANGLE, SOLDER TERMINAL	WINCHESTER			24		
	1	899-1-R10K	RESISTOR MODULE, 4 PIN DIP, 10KΩ	BECKMAN			25		
	1	898-5-R220/330	RESISTOR MODULE, 16 PIN DIP 220/330 Ω	BECKMAN			26		

The information hereon is the property of PLESSEY PERIPHERAL SYS. Transmittal receipt or possession of the information does not imply, license, or imply any rights to use, sell, or manufacture from this information and no reproduction or publication of it, in whole or in part, shall be made without written authorization from PLESSEY PERIPHERAL SYS.

SIZE **B** CODE IDENT NO. 52648 DWG NO. PL 703015-100
 SCALE REV A SHEET 1 of 1

The information herein is the property of PLESSEY PERIPHERAL SYS. Transmittal receipt or possession of the information does not imply, license or imply any rights to use, sell, or manufacture from the information and no reproduction or publication of it, in whole or in part, shall be made without written authorization from PLESSEY PERIPHERAL SYS.

ZONE		LTR		DESCRIPTION	DATE	APPROVED
				SEE SHEET 1		



SWI SETTINGS

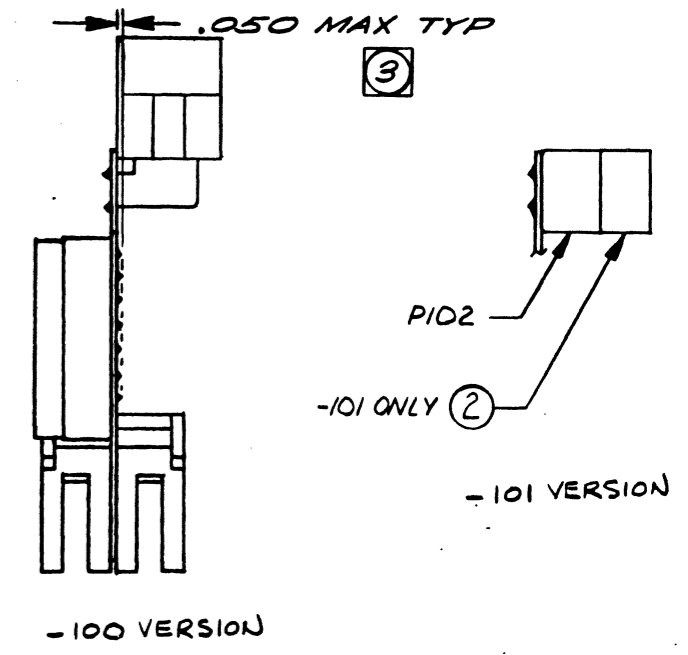
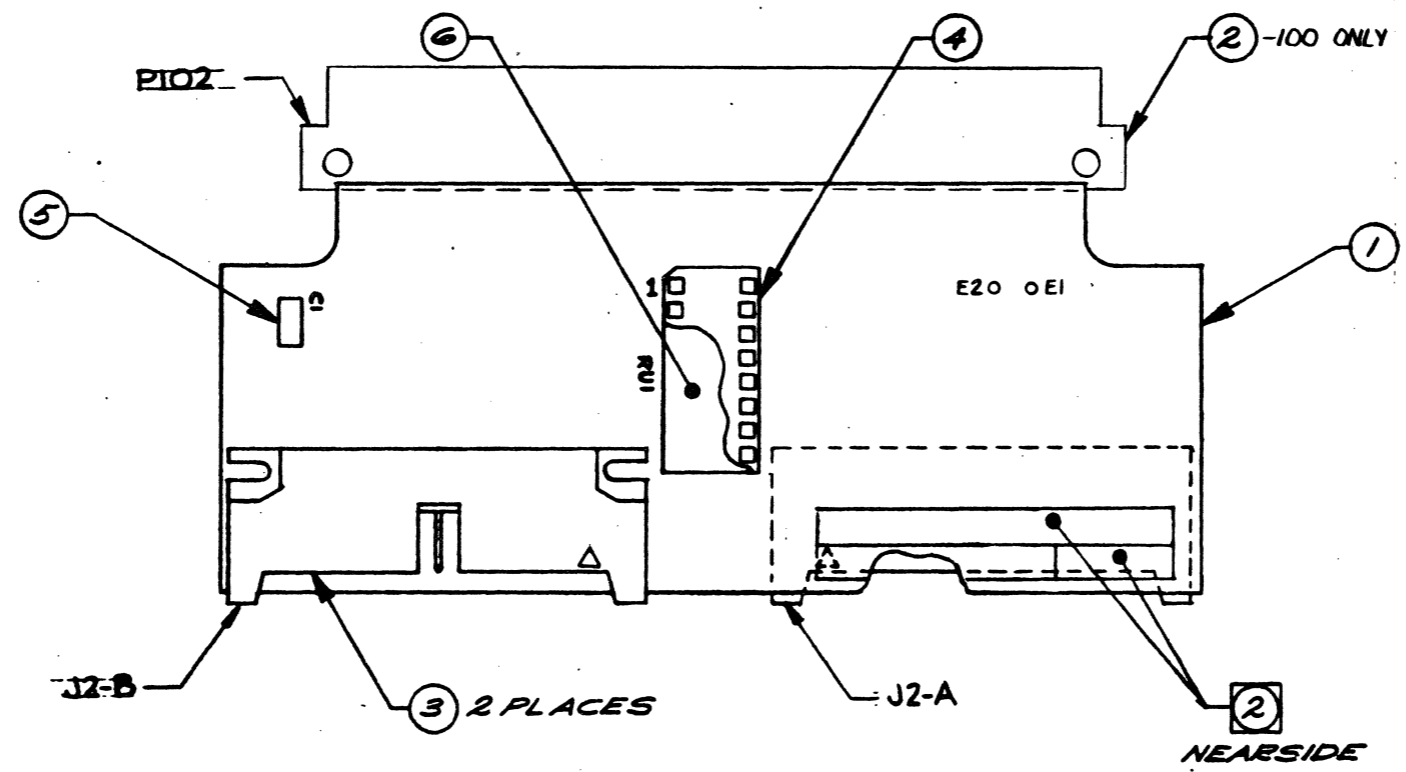
SWI	MEANING	
POS	ON	OFF
1	CDC, KENNEDY	ALL OTHERS
2	7 TRK - 800/556	7 TRK - 756/200
3	9 TRK - DUAL DENS	9 TRK - SINGLE DENS
4	SECONDARY SPEED	PRIMARY SPEED
5	PE OR (KENNEDY) 9 TRK (DIGITAL) DUAL DENS	QUANTEX
6	7 TRK	9 TRK
7	9 TRK	7 TRK
8	QUANTEX	ALL OTHERS
9	ALLOTTOR	KENNEDY, CDC

SIZE	CODE IDENT NO.	DWG NO.
D	52648	SD703015
SCALE: 1/1	A	SHEET 2 OF 2

The information herein is the property of PLESSEY PERIPHERAL SYS. Transmittal receipt or possession of the information does not comply, license, or imply any rights to use, sell, or manufacture from this information and no reproduction or publication of it, in whole or in part, shall be made without written authorization from PLESSEY PERIPHERAL SYS.

REVISIONS				
ZONE	LTR	DESCRIPTION	DATE	APPROVED
/	A	REL TO PROD EO 2565	2-14-79	<i>[Signature]</i>
/	A	INCORP EO 3306 w	9-27-79	<i>[Signature]</i>

703145



PRODUCTION RELEASE

- ③ COMPONENT LEAD TRIM AND SOLDER BUILD-UP TO BE AS NOTED.
 - ② MARK VERSION NUMBER AND REVISION LETTER WITH .12 HIGH CHARACTERS USING WHITE INK PER MIL-M-13231, GROUP III. LOCATION TO BE APPROXIMATELY AS SHOWN.
1. ASSEMBLE AND INSPECT PER WORKMANSHIP STANDARDS MANUAL.

NOTES: UNLESS OTHERWISE SPECIFIED

PART/ASSY NO. & QTY PER ASSY		PARTS LIST			CONTRACT NO.	DWG TITLE	
						Plessey Peripheral Systems	
						DRAWN TOM COMEY 11-10-78	
						CHECK L. Tankis 11-14-78	
						ENGR	
						PROJ. ENGR	
						PROD. DESIGN	
						SIZE	CODE IDENT NO.
						C	52648
						DWG NO.	703145
						SCALE: 2/1	SHEET 1 OF 1
						DISTR NO.	3290

PARTS LIST	Plessey Peripheral Systems	PREPARED BY	TOM COMEY	11-10-78	PARTS LIST NO.	PL 703145-100	REV LTR	A	
		CHECKED BY	J. Frankis	11-10-78					
		RESP	W.P. B. [unclear]	11-15-78	CODE IDENT NO.	52648	1234570	SH	1
		APPRY	D. [unclear]	11-11-78	52648	B	OF	2	
DOC CONTROL	J. [unclear]	2-16-79	MODEL NO.	PM-TC 11					

LTR	DESCRIPTION	DATE	APPROVED	LTR	DESCRIPTION	DATE	APPROVED
A	REL TO PROD EO 2865	2-14-79	[Signature]				
A	INCRP EO 3306 eu	9-28-79	[Signature]				

PRODUCTION RELEASE

REV STATUS OF SHEETS	REV LTR	A	A										
SHEET		1	2	3	4	5	6	7	8	9	10		

PARTS LIST	Plessey Peripheral Systems	CODE IDENT NO.	52648	PARTS LIST NO.	PL 703145-100	SH	2	REV LTR	A
------------	----------------------------	----------------	-------	----------------	---------------	----	---	---------	---

QTY REQD	PART OR IDENTIFYING NO.	NOMENCLATURE OR DESCRIPTION	SPECIFICATION	CODE IDENT NO.	ZONE	FIN O. D.	SYM	C/I USAGE				
								C/I CODE	INV OR HAND	P. R.	UNIT COST	
1	703144-001	PRINTED WIRING BOARD				1						
1	BBDJ 18 MØ	CONNECTOR / 36 PIN SOLDER TERMINAL	WINCHESTER			2						
2	3493 -1002	CONNECTOR / 26 PIN RIGHT ANGLE	3M CO			3						
1	US-2-16 110-G-B	SOCKET, I.C., 16 PIN	SCANBE			4						
1	CK06BX 224K	CAPACITOR, 22UF, ±10%, 50V	MIL-C-11015			5						
1	898-5- R220/330	RESISTOR MODULE	BECKMAN			6						
						7						
						8						
REF	SN63 WRAP3	SOLDER	QQ-5-571			9						
						10						
						11						
						12						
						13						

The information hereon is the property of PLESSEY PERIPHERAL SYS. Transmittal receipt or possession of the information does not comply, license, or imply any rights to use, sell, or manufacture from this information and no reproduction or publication of it, in whole or in part, shall be made without written authorization from PLESSEY PERIPHERAL SYS.

SIZE **B** CODE IDENT NO. 52648 DWG NO. PL 703145-100
 SCALE REV A SHEET 1 of 1

PARTS LIST		PREPARED BY	R. RHYTTINEN	3-28-79	PARTS LIST NO.	PL 703145-101	REV LTR	A
		CHECKED BY	L. Tunkio	9-28-79	CODE IDENT NO.	52648	1234570	SH 1
BOARD ASSEMBLY (STRAIGHT CONN) WRITE CONNECTOR ADAPTER PM-TC11		RES P	L. Donsky	10/1/79	52648		OF 2	
		APPRV			MODEL NO.	PM-TC11		
		DOC CONTROL	D. Mearns	1-28-79				

LTR	DESCRIPTION	DATE	APPROVED	LTR	DESCRIPTION	DATE	APPROVED
A	REL TO PRO PER EO 3306	9-28-79	<i>[Signature]</i>				
PRODUCTION RELEASE							

REV STATUS OF SHEETS	REV LTR	A	A												
SHEET	1	2	3	4	5	6	7	8	9	10					

PARTS LIST		CODE IDENT NO.	52648	PARTS LIST NO.	PL 703145-101	SH	2	REV LTR	A
------------	--	----------------	-------	----------------	---------------	----	---	---------	---

QTY REQD	PART OR IDENTIFYING NO.	NOMENCLATURE OR DESCRIPTION	SPECIFICATION	CODE IDENT NO.	ZONE	FINISH	SY	C/I USAGE				
								C/I CODE	INV OR HAND	P A R	UNITY COST	
1	703144-001	PRINTED WIRING BOARD				1						
1	252-18-30-210	CONNECTOR/36 CONTACT DIP SOLDER	TRW CINCH			2						
2	3493-1002	CONNECTOR/26 PIN RIGHT ANGLE	3M			3						
1	US-2-16-110-G-B	SOCKET/I.C., 16 PIN	SCANBE			4						
1	CK06BX 224K	CAPACITOR/22uF, ±10%, 50V	MIL-C-11015			5						
1	898-5-R220/330	RESISTOR MODULE/220Ω /330Ω	BECKMAN			6						
						7						
						8						
REF	SN63 WRAP 3	SOLDER	GO-S-571			9						
						10						
						11						
						12						
						13						

SIZE	B	SCALE	A
CODE IDENT NO.	52648	REV	A
DWG NO.	PL 703145-101	SHEET	1 of 1

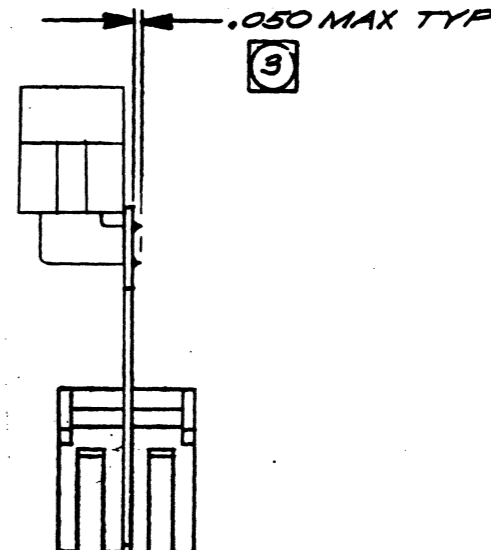
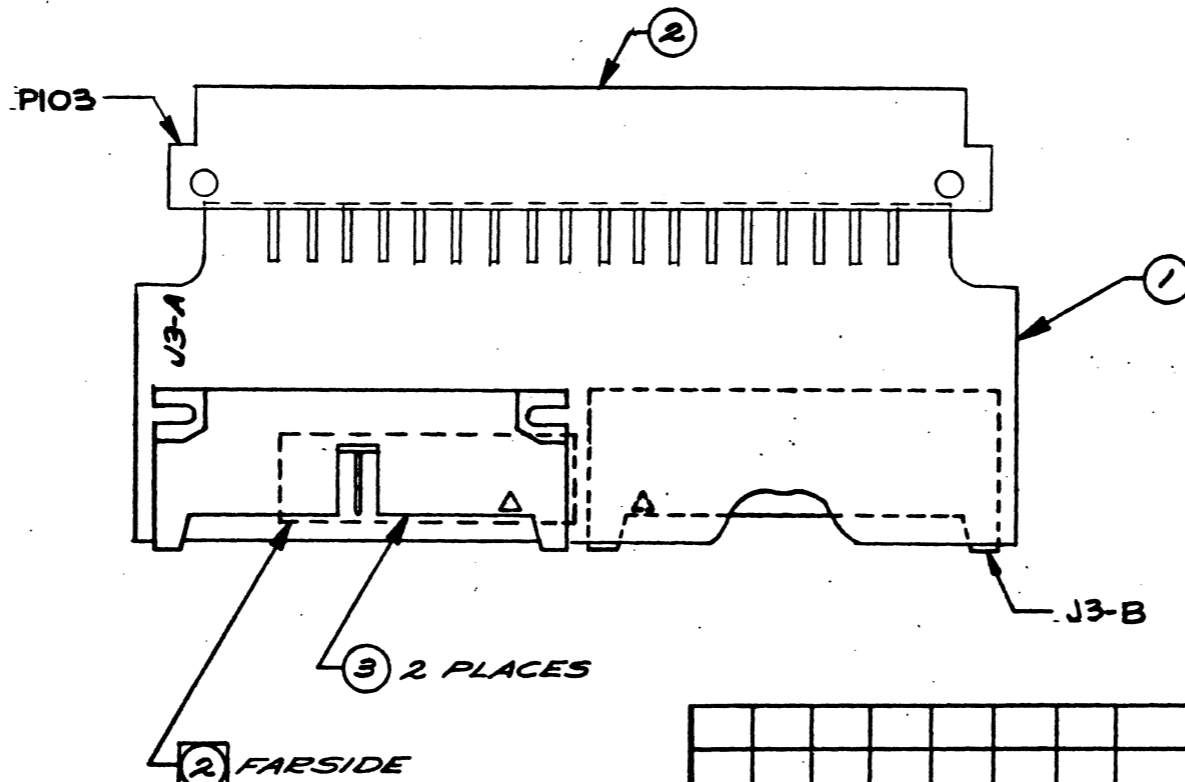
The information hereon is the property of PLESSEY PERIPHERAL SYS. Transmittal receipt or possession of the information does not imply, license, or imply any rights to use, sell, or manufacture from this information and no reproduction or publication of it, in whole or in part, shall be made without written authorization from PLESSEY PERIPHERAL SYS.

The information hereon is the property of PLESSEY PERIPHERAL SYS. Transmittal receipt or possession of the information does not comply, license, or imply any rights to use, sell, or manufacture from this information and no reproduction or publication of it, in whole or in part, shall be made without written authorization from PLESSEY PERIPHERAL SYS.

REVISIONS				
ZONE	LTR	DESCRIPTION	DATE	APPROVED
/	A	REL TO PROD E0 2865	2-14-79	Lat 9/20

703/55

D
C
B
A



PRODUCTION RELEASE

- ③ COMPONENT LEAD TRIM AND SOLDER BUILD-UP TO BE AS NOTED.
- ② MARK VERSION NUMBER AND REVISION LETTER WITH .12 HIGH CHARACTERS USING WHITE INK PER MIL-M-13231, GROUP III. LOCATION TO BE APPROXIMATELY AS SHOWN.

1. ASSEMBLE AND INSPECT PER WORKMANSHIP STANDARDS MANUAL.
NOTES: UNLESS OTHERWISE SPECIFIED

PART/ASSY NO. & QTY PER ASSY		PARTS LIST		SPEC/SOURCE	CODE IDENT NO.	FIND NO.
						5
						4
						3
						2
						1
	X	FOR PARTS LIST SEE PL703155-100				
	-100	NOTE PART OR IDENTIFYING NO.	NOMENCLATURE OR DESCRIPTION / MATERIAL	SPEC/SOURCE	CODE IDENT NO.	FIND NO.
PART/ASSY REV LTR		CONTRACT NO.		Plessey Peripheral Systems		
A		DRAWN TOM COMEY 11-13-78		DWG TITLE		
		CHECK L. Jenkins 11-2-78		BOARD ASSY, RIGHT ANGLE, READ CONNECTOR ADAPTER, PM-TC11		
		ENGR		SIZE CODE IDENT NO. DWG NO.		
		PROJ. ENGR J. Williams 11-2-78		C 52648 703155		
		PROD. DESIGN J. Williams 11-2-78		SCALE: 2/1 SHEET 1 OF 1		
		OTHER APPROVALS		DISTR NO. 123470 B		
-100		PM-TC11				
PART NO.	NEXT ASSY	USED ON				
APPLICATION		UNLESS OTHERWISE SPECIFIED				

PARTS LIST		PREPARED BY	TOM COMEY	11-13-78	PARTS LIST NO.	PL 703155-100	REV LTR	A	
		CHECKED BY	R. Tankis	11-14-78		CODE IDENT NO.	52648	234570	SH
		RES' ENG	W.R. Bullock	11-15-78		B	OF	2	
		APPRV	D. Gil	11-1-78	MODEL NO.	PM-TC11			
DOC CONTROL		Q. J. Carr	2-16-79						

LTR	DESCRIPTION	DATE	APPROVED	LTR	DESCRIPTION	DATE	APPROVED
A	REL TO PROD EO 2865	2-14-79	<i>[Signature]</i>				

PRODUCTION RELEASE

REV STATUS OF SHEETS	REV LTR	A	A														
	SHEET	1	2	3	4	5	6	7	8	9	10						

PARTS LIST		CODE IDENT NO.	52648	PARTS LIST NO.	PL 703155-100	SH	2	REV LTR	A
-------------------	--	----------------	-------	----------------	---------------	----	---	---------	---

QTY REQD	PART OR IDENTIFYING NO.	NOMENCLATURE OR DESCRIPTION	SPECIFICATION	CODE IDENT NO.	ZONE	F I N O. D	S Y M	C/I USAGE				
								C/I CODE	ENV ON HAND	P A R	UNIT COST	
1	703154-001	PRINTED WIRING BOARD				1						
1	8BDJ 18 MD	CONNECTOR / 36 PIN SOLDER TERMINAL	WINCHESTER			2						
2	3493-1002	CONNECTOR / 26 PIN EIGHT ANGLE	3M CO.			3						
						4						
REF	SNG3 WRAP3	SOLDER	QQ-5-571			5						
						6						
						7						
						8						
						9						
						10						
						11						
						11						
						12						

The information hereon is the property of PLESSEY PERIPHERAL SYS. Transmittal receipt or possession of the information does not comply, license, or imply any rights to use, sell, or manufacture from this information and no reproduction or publication of it, in whole or in part, shall be made without written authorization from PLESSEY PERIPHERAL SYS.

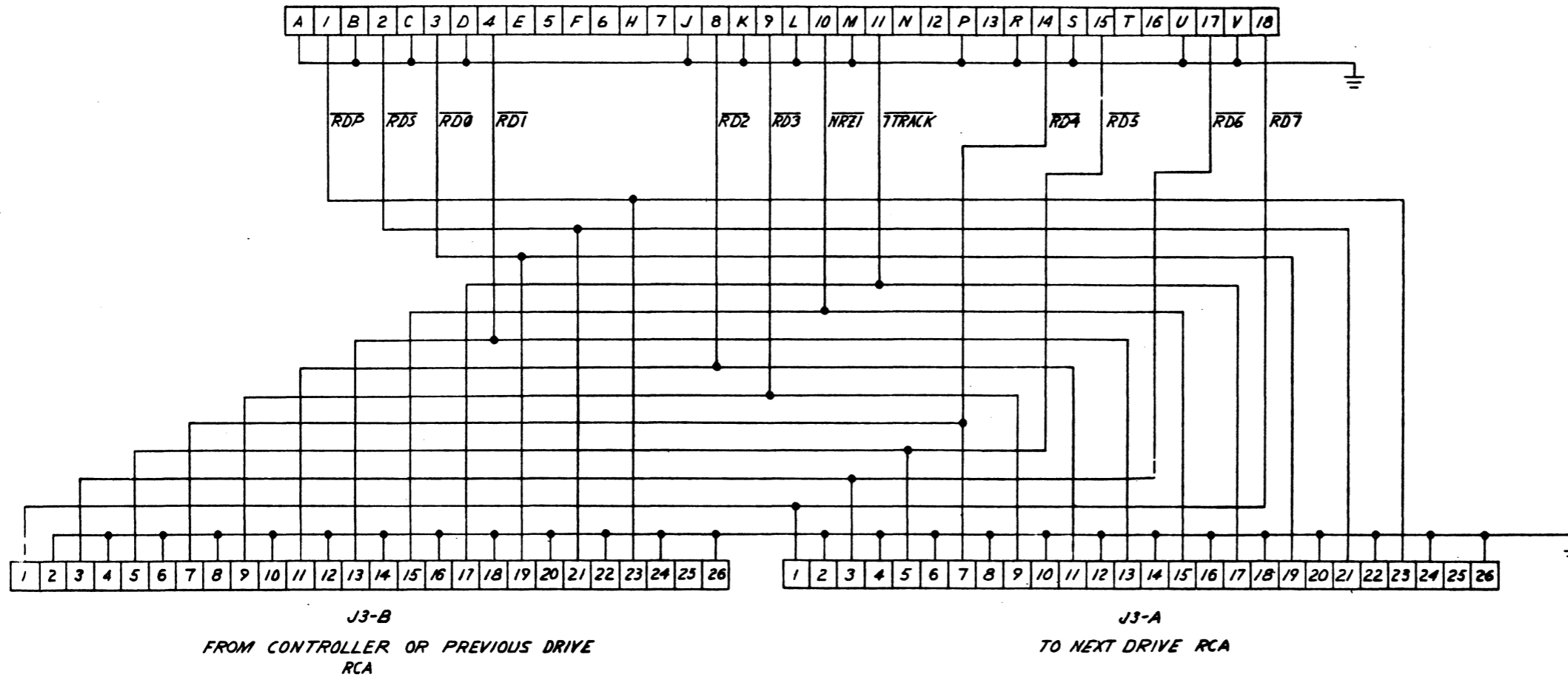
SIZE	B	SCALE	
CODE IDENT NO.	52648	REV	A
DWG NO.	PL 703155-100	SHEET	1 of 1

The information herein is the property of PLESSEY PERIPHERAL SYS. Transmittal receipt or possession of the information does not comply license or imply any rights to use, sell, or manufacture from this information and no reproduction or publication of it, in whole or in part, shall be made without written authorization from PLESSEY PERIPHERAL SYS.

REVISIONS			
ZONE	LTR	DESCRIPTION	DATE
A		REL TO PROD EO 2865	2-10-79

SD703/55

DRIVE READ CONNECTOR
P103



PRODUCTION RELEASE

PART/ASSY NO. & QTY PER ASSY		NOTE PART OR IDENTIFYING NO.	NOMENCLATURE OR DESCRIPTION / MATERIAL	SPEC/SOURCE	CODE IDENT NO.	FIND NO.
PART/ASSY REV LTR		DO NOT SCALE DRAWING	CONTRACT NO.			
703/55-100 PM-TC/11		REMOVE ALL BURRS AND BREAK SHARP EDGES EQUIVALENT TO 2R	DRAWN TOM COMLEY 11-13-78			
NEXT ASSY USED ON		STANDARD HOLE TOLERANCE PER AMS 9827	CHECK <i>[Signature]</i> 11-16-78			
APPLICATION		INTERPRET DIMENSIONS AND TOLERANCES PER USAS Y14.5	ENGR <i>[Signature]</i>			
		UNLESS OTHERWISE SPECIFIED	PROJ. ENGR <i>[Signature]</i> 11-18-78			
			PROD. DESIGN <i>[Signature]</i> 11-22-78			
			OTHER APPROVALS			
			DWG TITLE SCHEMATIC DIAGRAM READ CONNECTOR ADAPTER (RCA) PM-TC/11			
			SIZE CODE IDENT NO. DWG NO.			
			D 52648 SD703/55			
			SCALE: — SHEET 1 OF 1			

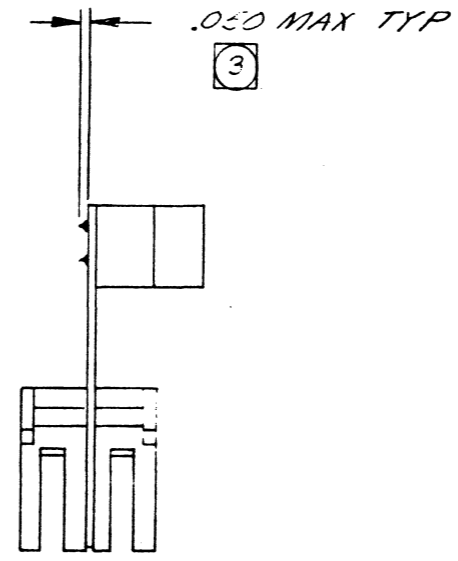
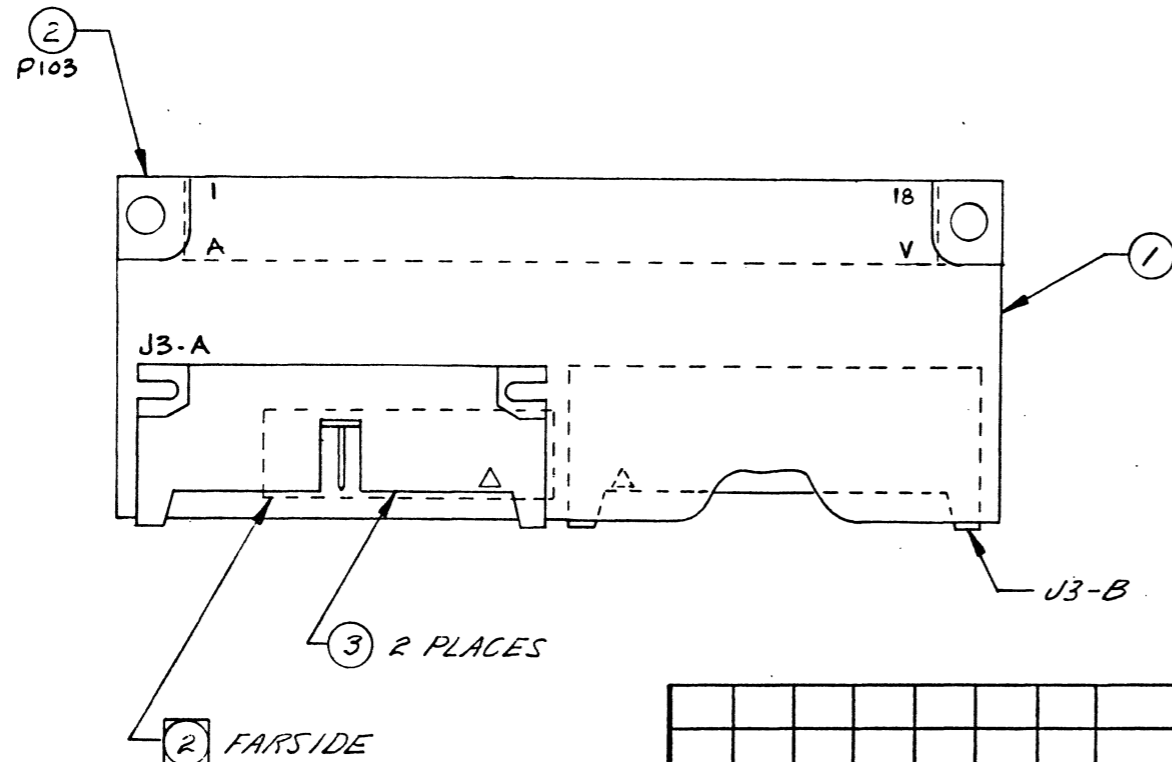
1. FOR ASSEMBLY DRAWING SEE 703155

NOTES: UNLESS OTHERWISE SPECIFIED

The information hereon is the property of PLESSEY PERIPHERAL SYS. Transmittal receipt or possession of the information does not comply, license, or imply any rights to use, sell, or manufacture from this information and no reproduction or publication of it, in whole or in part, shall be made without written authorization from PLESSEY PERIPHERAL SYS.

703157

REVISIONS				
ZONE	LTR	DESCRIPTION	DATE	APPROVED
/	A	REL TO PROD EO 3406	11-20-79	[Signature]



PRODUCTION RELEASE

VERSION NO. & QTY REQD PER VERSION	NOTE	PART OR IDENTIFYING NO.	NOMENCLATURE OR DESCRIPTION / MATERIAL	SPEC/SOURCE	CODE IDENT NO.	FIND NO.
-100	X		FOR PARTS LIST SEE P. 703157-100			1

- 3 COMPONENT LEAD TRIM AND SOLDER BUILD-UP TO BE AS NOTED.
 - 2 MARK ASSEMBLY VERSION NUMBER AND LATEST REVISION LETTER WITH .12 HIGH CHARACTERS, USING WHITE INK PER MIL-M-13231, GROUP III. LOCATE APPROX. AS SHOWN.
1. ASSEMBLE AND INSPECT BOARD PER WORKMANSHIP STANDARDS MANUAL.
- NOTES: UNLESS OTHERWISE SPECIFIED

VERSION REV LTR		DO NOT SCALE DRAWING		CONTRACT NO.			
		SCREW THREADS PER HANDBOOK H-28		DRAWN <i>J. D. [Signature]</i> 8-20-79		DWG TITLE BOARD ASSEMBLY	
		COUNTERBORE AND SPOTFACE FILLET RADI TO BE .010 MAXIMUM		CHECK <i>L. Frankie</i> 8-21-79		READ CONNECTOR ADAPTER,	
		REMOVE ALL BURRS AND BREAK SHARP EDGES EQUIVALENT TO .010R		ENGR		TYPE A PM-TS11	
		ROUGHNESS OF MACHINED SURFACES 125 PER USAS B46.1		PROJ. ENGR <i>[Signature]</i> 8/23/79		SIZE CODE IDENT NO. DWG NO.	
		STANDARD HOLE TOLERANCE PER AND 10387		PROD. DESIGN <i>[Signature]</i> 8-22-79		C 52648 703157	
		TOLERANCES ON: XX ± .03 JOX ± .010 ANGLES ± 0° 30'		DOC CONT <i>[Signature]</i> 8-22-79		SCALE: 2/1 SHEET 1 OF 1	
		INTERPRET DIMENSIONS AND TOLERANCES PER USAS Y14.5		OTHER APPROVALS		DISTR NO. 1234780	
		DIMENSIONS ARE IN INCHES AND APPLY AFTER HEAT TREAT AND FINISH UNLESS OTHERWISE SPECIFIED					
-100 PM-TS11		FIRST USED ON					
VER NO. NEXT ASSY MODEL							

PARTS LIST	Plessey Peripheral Systems	PREPARED BY	<i>J. J. ...</i>	DATE	8-20-79	PARTS LIST NO.	PL703157-100	REV LTR	A
		CHECKED BY	<i>R. ...</i>	DATE	8-21-79	CODE IDENT NO.	52648	12313980	SH OF
BOARD ASSEMBLY READ CONNECTOR ADAPTER, TYPE A PM-7S11		DESIGNED BY	<i>F. ...</i>	DATE	8/23/79	APPROVED		DOC CONTROL	<i>R. ...</i>
		MODEL NO.					PM-7S11		

LTR	DESCRIPTION	DATE	APPROVED	LTR	DESCRIPTION	DATE	APPROVED
A	REL TO PROD EO 3406	11-20-79	<i>[Signature]</i>				
PRODUCTION RELEASE							

REV STATUS OF SHEETS	REV LTR	A	A													
SHEET		1	2	3	4	5	6	7	8	9	10					

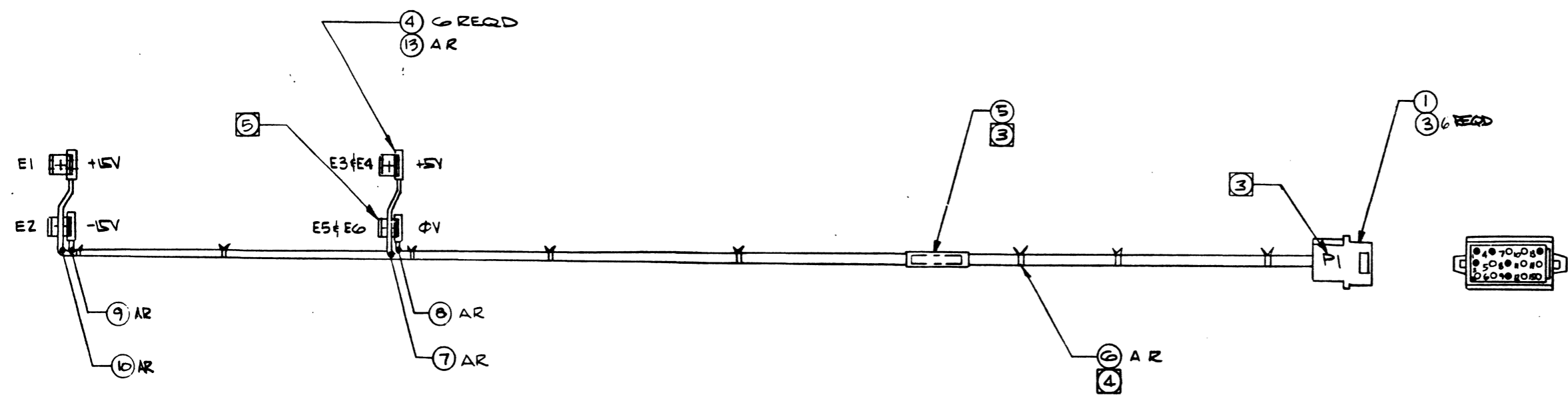
PARTS LIST		Plessey Peripheral Systems		CODE IDENT NO.	PARTS LIST NO.	SH	REV LTR					
				52648	PL703157-100	2	A					
QTY REQD	PART OR IDENTIFYING NO.	NOMENCLATURE OR DESCRIPTION	SPECIFICATION	CODE IDENT NO.	ZONE	F I N D	S Y H	C/I USAGE				
								C/I CODE	INV ON HAND	P A R	WRT COST	
1	703156-001	PRINTED WIRING BOARD				1						
1	252-18-30-210	CONNECTOR / 36 PIN SOLDER TERMINAL	TRW			2						
2	3493-1002	CONNECTOR / 26 PIN RIGHT ANGLE	3M CO.			3						
						4						
REF	SNGS WRAPS	SOLDER	QA-S-571			5						

SIZE	B	SCALE	A
CODE IDENT NO.	52648	DWG NO.	PL 703157-100
REV	A	SHEET	1 of 1

The information hereon is the property of PLESSEY PERIPHERAL SYS. Transmittal receipt or possession of the information does not comply, license, or imply any rights to use, sell, or manufacture from this information and no reproduction or publication of it, in whole or in part, shall be made without written authorization from PLESSEY PERIPHERAL SYS.

The information herein is the property of PLESSEY MICROSYSTEMS. Transmittal receipt or possession of this information does not constitute license or imply any rights to use, sell, or manufacture from this information and no reproduction or publication of it, in whole or in part, shall be made without written authorization from PLESSEY MICROSYSTEMS.

REVISIONS				
ZONE	LTR	DESCRIPTION	DATE	APPROVED
	A	RELEASED TO PROD PER 602947-1	9-19-77	[Signature]



WIRE LIST				
FROM	TO	FUNCTION	ITEM NO	COLOR
E 1	P1-2	+5V	10	GRAY
E 2	P1-13	-5V	9	BLUE
E 3	P1-1	+5V	7	RED
E 4	P1-4	+5V	7	RED
E 5	P1-8	0V	8	BLACK
E 6	P1-9	0V	8	BLACK

- 5 USE 'AMP' PART NUMBER 60080-2 MALE 'FASTON' TABS. FASTEN TO NAILBOARD AT 6 LOCATIONS.
 - 4 SPOT TIE ALL WIRE BUNDLES USING ITEM 6 AS REQUIRED
 - 3 MARK ASSEMBLY NUMBER, LATEST ASSEMBLY REVISION LETTER AND DESIGNATION WITH .12 HIGH CHARACTERS, USING BLACK INK PER MIL-M-13731, GROUP III. LOCATION APPROXIMATELY AS SHOWN.
 - 2 THIS DRAWING IS TO SCALE AND IS TO BE USED FOR A NAILBOARD ASSEMBLY TEMPLATE.
 - 1 ASSEMBLE AND INSPECT PER WORKMANSHIP STANDARDS MANUAL.
- NOTES: UNLESS OTHERWISE SPECIFIED

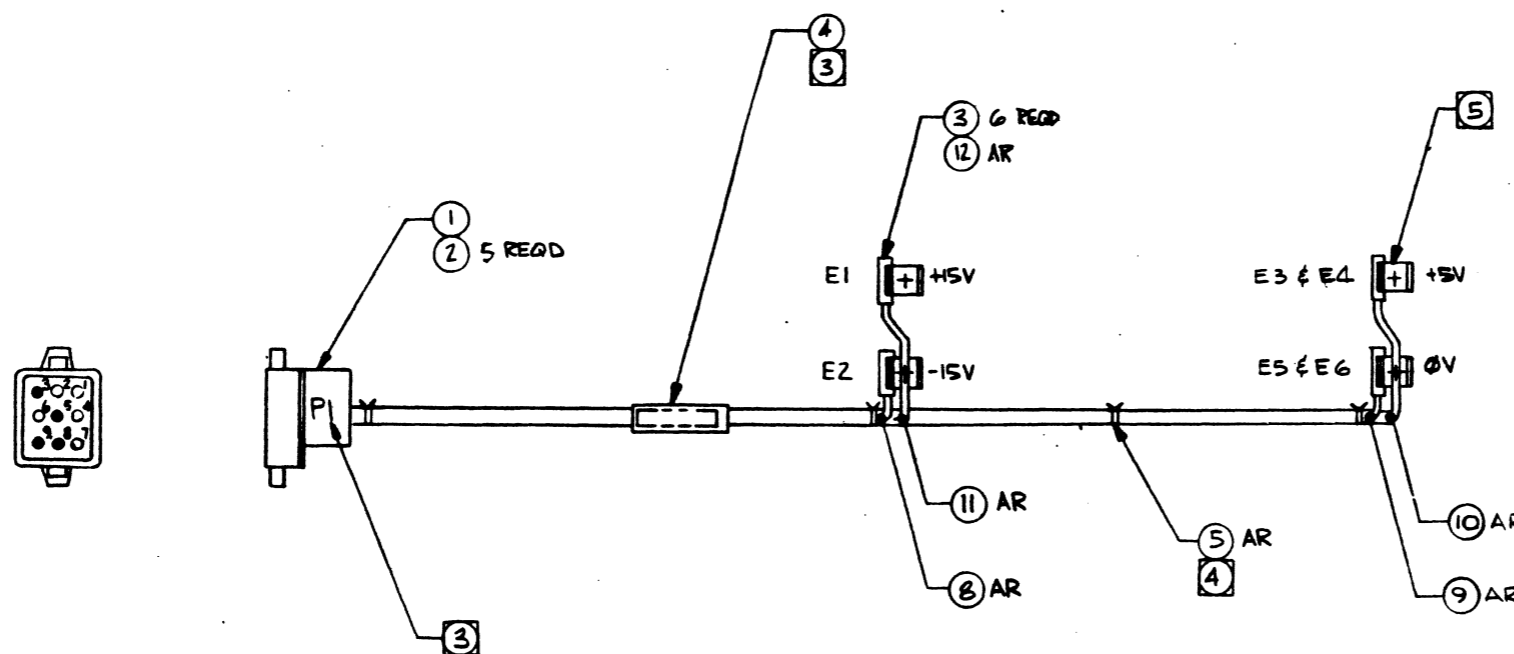
PRODUCTION RELEASE

PART/ASSY NO. & QTY PER ASSY		PARTS LIST		SPEC/SOURCE		CODE IDENT NO.	FIND NO.
PART/ASSY REV LTR		CONTRACT NO.		Plessey Microsystems		DWG TITLE	
DO NOT SCALE DRAWING		DRAWN <i>K. Lowry</i> 8-23-77		CHECKED <i>[Signature]</i> 8-27-77		CABLE ASSEMBLY, BACKPLANE	
REMOVE ALL BURRS AND BREAK SHARP EDGES EQUIVALENT TO 3R		ENGR		PROD. DESIGN		PM-DC/1140/1180	
STANDARD HOLE TOLERANCE PER AND 1997		OTHER		APPROVALS		SIZE	CODE IDENT NO.
TOLERANCES ON .315 ± .005 .315 ± .005 .315 ± .005		APPROVALS		SCALE: 1/1		D	52648
INTERPRET DIMENSIONS AND TOLERANCES PER USAS 114.5		APPROVALS		SHEET		701376	
DIMENSIONS ARE IN INCHES AND APPLY AFTER PLAT TREAT AND FINISH UNLESS OTHERWISE SPECIFIED		APPROVALS		DISTR NO.		23470	
APPLICATION		APPROVALS		SHEET		OF 1	

D
C
A
B
A
701376

The information herein is the property of PLESSEY MICROSYSTEMS. Transmittal receipt or possession of the information does not imply, license, or imply any rights to use, sell, or manufacture from this information and no reproduction or publication of it, in whole or in part, shall be made without written authorization from PLESSEY MICROSYSTEMS.

REVISIONS				
ZONE	LTR	DESCRIPTION	DATE	APPROVED
A		REL TO PROD PER EO 14177-1	9-14-77	[Signature]



WIRE LIST				
FROM	TO	FUNCTION	ITEM NO.	COLOR
E 1	PI-B	+5V	11	GRAY
E 2	-3	-5V	8	BLUE
E 3	-9	+5V	10	RED
E 4	-9	+5V	10	RED
E 5	-5	0V	9	BLACK
E 6	PI-S	0V	9	BLACK

- 5 USE "AMP" PART NUMBER 60080-2 MALE "FASTON" TABS. FASTEN TO NAILBOARD AT 6 LOCATIONS AS SHOWN.
- 4 SPOT TIE ALL WIRE BUNDLES USING ITEM 5 AS REQUIRED.
- 3 MARK ASSEMBLY NUMBER, LATEST ASSEMBLY REVISION LETTER AND DESIGNATION WITH .12 HIGH CHARACTERS, USING BLACK INK PER MIL-M-13231, GROUP III, LOCATION APPROXIMATELY AS SHOWN.
- 2 THIS DRAWING IS TO SCALE AND IS TO BE USED FOR A NAILBOARD ASSEMBLY TEMPLATE.
- 1 ASSEMBLE AND INSPECT PER WORKMANSHIP STANDARDS MANUAL.

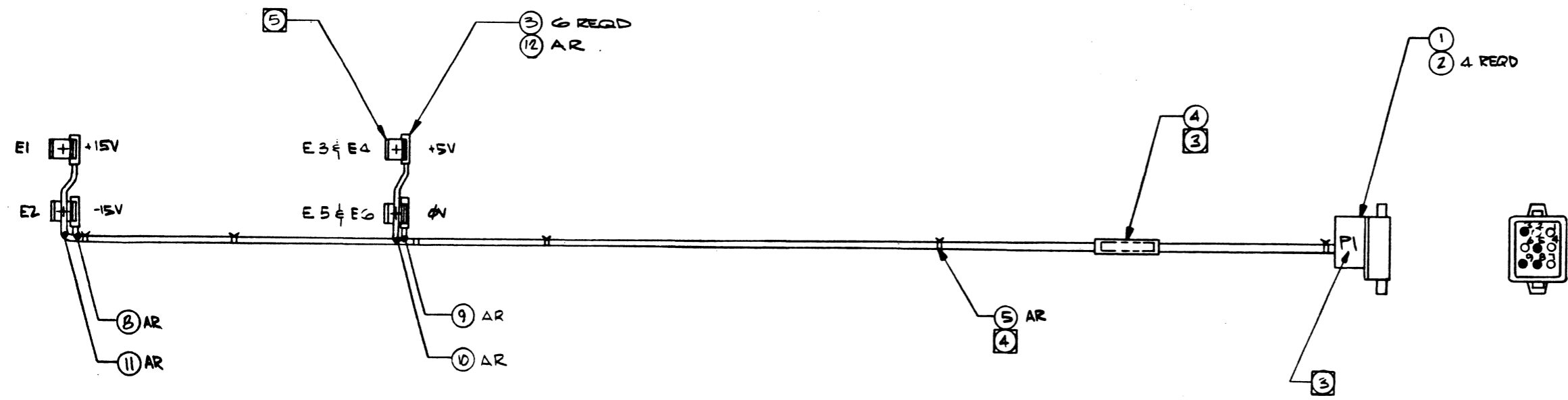
NOTES: UNLESS OTHERWISE SPECIFIED.

PRODUCTION RELEASE

PART/ASSY NO. & QTY PER ASSY		CONTRACT NO.		Plessey Microsystems	
PART/ASSY REV LTR		DRAWN < LOWRY 8-23-77		DWG TITLE CABLE ASSEMBLY, BACKPLANE	
CHECK [Signature]		ENGR [Signature]		PM-041140/1180	
PROJ. ENGR [Signature]		PROD. DESIGN [Signature]		SIZE CODE IDENT NO. DWG NO.	
-100 70095502		OTHER APPROVALS		D 52648 701377	
APPLICATION		SCALE: 1/1		SHEET 1 OF 1	

The information herein is the property of PLESSEY MICROSYSTEMS. Transmittal receipt or possession of the information does not imply, license, or imply any rights to use, sell, or manufacture from this information and no reproduction or publication of it, in whole or in part, shall be made without written authorization from PLESSEY MICROSYSTEMS.

REVISIONS			
ZONE	LTR	DESCRIPTION	DATE
A		REL TO PROD PER ED 2497-1	9-14-78



WIRE LIST				
FROM	TO	FUNCTION	ITEM NO	COLOR
E 1	P1-B	+15V	11	GRAY
E 2	-3	-15V	8	BLUE
E 3	-4	+5V	10	RED
E 4	-9	+5V	10	RED
E 5	-5	0V	9	BLACK
E 6	P1-5	0V	9	BLACK

- ⑤ USE AMP PART NUMBER 60080-2 MALE "FASTON" TAB. FASTEN TO NAILBOARD AT 6 LOCATIONS.
 - ④ SPOT TIE ALL WIRE BUNDLES USING ITEM 5 AS REQUIRED.
 - ③ MARK ASSEMBLY NUMBER, LATEST ASSEMBLY REVISION LETTER AND DESIGNATION WITH .12 HIGH CHARACTERS, USING BLACK INK PER MIL-M-13231, GROUP III. LOCATION TO BE APPROXIMATELY AS SHOWN.
2. THIS DRAWING IS TO SCALE AND IS TO BE USED FOR A NAILBOARD ASSEMBLY TEMPLATE.
1. ASSEMBLE AND INSPECT PER WORKMANSHIP STANDARDS MANUAL.

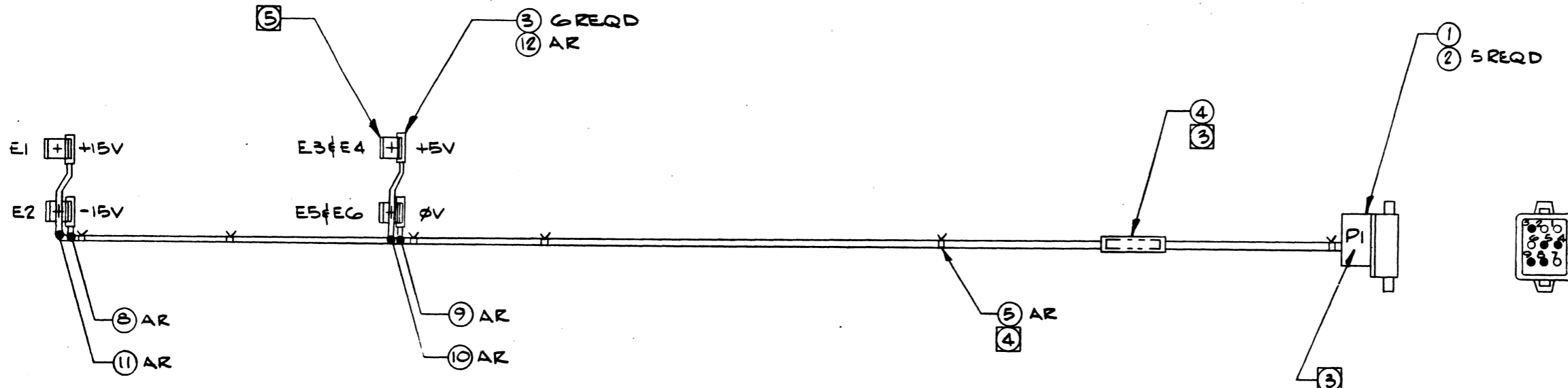
NOTES: UNLESS OTHERWISE SPECIFIED

PRODUCTION RELEASE

PART/ASSY NO. & QTY PER ASSY		CONTRACT NO.	
PART/ASSY REV LTR		DRAWN KLOWRY 8-23-77	
DO NOT SCALE DRAWING		CHECKED [Signature] 9-7-77	
SCREEN THREADS PER HANDBOOK H-38		ENGR	
COUNTERBORE AND SPOTFACE FILLET RADI TO BE .015 MAXIMUM		PROJ. ENGR.	
REMOVE ALL BURRS AND BREAK SHARP EDGES EQUIVALENT TO .25R		PROD. DESIGN	
ROUNDPERS OF MACHINED SURFACES 100 PER USAS 114.1		SIZE CODE IDENT NO. DWG NO.	
STANDARD HOLE TOLERANCE PER AND 3087		D 52648 701378	
TOLERANCES ON: XX ± .00 XXX ± .004 ANGLES ± .01 30°		SCALE: 1/1	
INTERPRET DIMENSIONS AND TOLERANCES PER USAS 114.3		SHEET 1 OF 1	
DIMENSIONS ARE IN INCHES AND APPLY AFTER HEAT TREAT AND FINISH UNLESS OTHERWISE SPECIFIED		DISTR NO. 234901C	

The information herein is the property of PLESSEY MICROSYSTEMS. Transmittal receipt or possession of this information does not constitute, license, or imply any rights to use, sell, or manufacture from this information and no reproduction or publication of it, in whole or in part, shall be made without written authorization from PLESSEY MICROSYSTEMS.

REVISIONS				
ZONE	LTR	DESCRIPTION	DATE	APPROVED
✓	A	REL FOR PROD PCL 502447-1	9-19-76	[Signature]



WIRE LIST				
FROM	TO	FUNCTION	ITEM NO.	COLOR
E1	PI-8	+15V	11	GRAY
E2	PI-3	-15V	8	BLUE
E3	PI-9	+5V	10	RED
E4	PI-9	+5V	10	RED
E5	PI-5	0V	9	BLACK
E6	PI-4	0V	9	BLACK

- 5 USE "AMP" PART NO. 60080-2 MALE "FASTON" TAB. FASTEN TO NAILBOARD AT 6 LOCATIONS.
 - 4 SPOT TIE ALL WIRE BUNDLES USING ITEM 5 AS REQUIRED
 - 3 MARK ASSEMBLY NUMBER, LATEST REV. LETTER AND DESIGNATION WITH .12 HIGH CHARACTERS, USING BLACK INK PER MIL-M-13231, GROUP III. LOCATION TO BE APPROXIMATELY AS SHOWN.
2. THIS DRAWING IS TO SCALE AND IS TO BE USED FOR A NAILBOARD ASSEMBLY TEMPLATE.
1. ASSEMBLE AND INSPECT PER WORKMANSHIP STANDARDS MANUAL

NOTES: UNLESS OTHERWISE SPECIFIED.

PRODUCTION RELEASE

PART/ASSY NO. & QTY PER ASSY		CONTRACT NO.	
PART/ASSY REV LTR		Plessey Microsystems	
-100		DRAWN K. LOWRY 9-5-77	
NEXT ASSY		CHECK R. [Signature] 9-15-77	
USED ON		ENGR	
APPLICATION		PROJ. ENGR [Signature] 9-15-77	
		PROD. DESIGN [Signature] 9-15-77	
		OTHER	
		APPROVALS	
		SIZE CODE IDENT NO. DWG NO.	
		D 52648 701383	
		SCALE: 1/1 SHEET 1 OF 1	

701383

