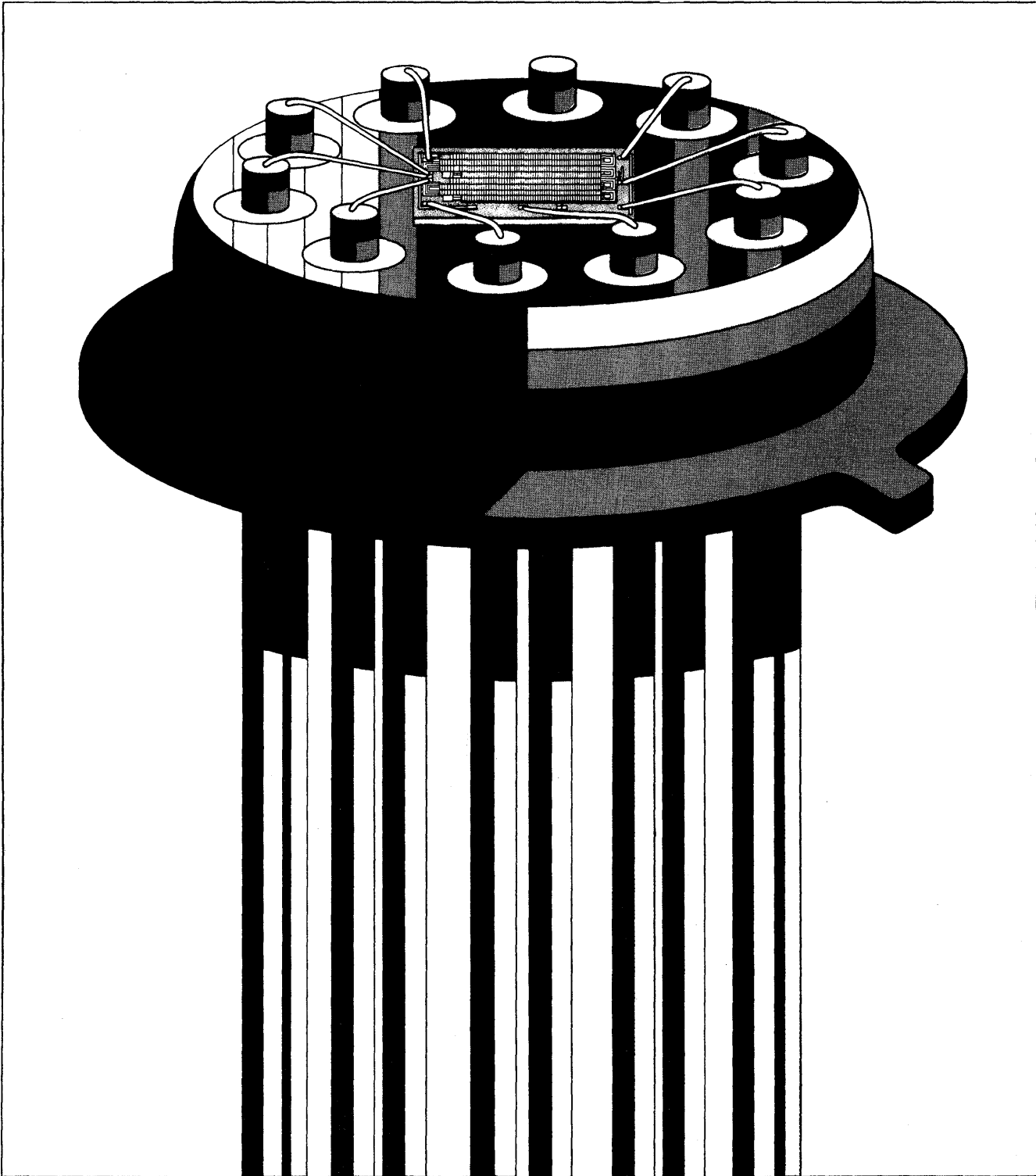


# OEM Price List



# Table of Contents

OEM-0768

Revised July 1, 1968  
Supersedes April 15, 1968

## SUGGESTED OEM PRICE LIST

### LANSDALE PRODUCTS

	PAGE
<u>INTEGRATED CIRCUITS</u>	
DTL (Diode Transistor Logic)	1 - 3
MEL (Micro/Energy Logic)	3
RTL (Milliwatt III	3
Interface	4
Super RTL	4
Micrologic ♦	4
Milliwatt Micrologic ♦	5
TTL	6 - 7
Linear	8
<u>HYBRIDS</u>	9

### SANTA CLARA PRODUCTS

<u>INTEGRATED CIRCUITS</u>	
MOS Complex Arrays	10 - 11
<u>TRANSISTORS</u>	
MOS FET'S	12
Epoxy Encapsulated Transistors	12 - 13
<u>PACKAGING</u>	14
<u>PHILCO-FORD FIELD SALES OFFICES</u>	15
<u>SALES REPRESENTATIVES</u>	16
<u>DISTRIBUTORS</u>	17
<u>DIVISION LOCATIONS</u>	18
<u>INTERNATIONAL DISTRIBUTOR REPRESENTATIVES</u>	19

♦ TRADEMARK OF FAIRCHILD CAMERA AND INSTRUMENT CORPORATION, USED UNDER LICENSE.

## Philco-Ford Microelectronics Suggested OEM Price List

### Notes:

Changes in products since previous price schedule are noted by (●)

When ordering, part numbers should be prefaced by letter prefixes, such as "PL", "PD", "PET", etc.

For quantities listed, please consult your nearest distributor (Page 17) for delivery. For quantities in excess of those shown and for special requirements, consult your nearest Sales Representative or Philco-Ford Sales Office. (Pages 15 & 16)

All prices subject to change without notice.  
All prices F. O. B. factory.

Additions to this price list: TTL family, MOS arrays, and Standard Hybrids.

# Philco-Ford Microelectronics Suggested OEM Price List

## Diode Transistor Logic ♦

(-55°C to +125°C)

DEVICE	DESCRIPTION	PKG. <sup>1, 2, 3</sup>	1-24	25-99	100-999
PD9093 51	Dual Clocked JK Flip-Flop	DIP	\$ 14.20	\$ 11.40	\$ 9.40
PL9093 51	Dual Clocked JK Flip-Flop	F/P	14.20	11.40	9.40
PD9094 51	Dual Clocked JK Flip-Flop	DIP	14.20	11.40	9.40
PL9094 51	Dual Clocked JK Flip-Flop	F/P	14.20	11.40	9.40
PD9097 51	Dual Clocked JK Flip-Flop	DIP	14.20	11.40	9.40
PL9097 51	Dual Clocked JK Flip-Flop	F/P	14.20	11.40	9.40
PD9099 51	Dual Clocked JK Flip-Flop	DIP	14.20	11.40	9.40
PL9099 51	Dual Clocked JK Flip-Flop	F/P	14.20	11.40	9.40
PD9930 51	Dual 4-Input Gate	DIP	6.50	5.20	4.35
PL9930 51	Dual 4-Input Gate	F/P	6.50	5.20	4.35
PD9931 51	JK or RS Binary	DIP	9.00	7.20	6.00
PL9931 51	JK or RS Binary	F/P	9.00	7.20	6.00
PD9932 51	Dual Buffer	DIP	7.10	5.70	4.75
PL9932 51	Dual Buffer	F/P	7.10	5.70	4.75
PD9933 51	Dual 4-Input Expander	DIP	5.45	4.40	3.65
PL9933 51	Dual 4-Input Expander	F/P	5.45	4.40	3.65
PD9936 51	Hex Inverter	DIP	7.80	6.25	5.20
PL9936 51	Hex Inverter	F/P	7.80	6.25	5.20
PD9944 51	Dual Power Gate	DIP	7.10	5.70	4.75
PL9944 51	Dual Power Gate	F/P	7.10	5.70	4.75
PD9945 51	Clocked Flip-Flop	DIP	9.00	7.20	6.00
PL9945 51	Clocked Flip-Flop	F/P	9.00	7.20	6.00
PD9946 51	Quad Gate	DIP	6.50	5.20	4.35
PL9946 51	Quad Gate	F/P	6.50	5.20	4.35
PD9948 51	Binary	DIP	9.00	7.20	6.00
PL9948 51	Binary	F/P	9.00	7.20	6.00
PD9950 51	Pulsed Triggered Binary	DIP	20.25	16.20	13.50
PL9950 51	Pulsed Triggered Binary	F/P	20.25	16.20	13.50
PD9951 51	One-Shot Multivibrator	DIP	20.25	16.20	13.50
PL9951 51	One-Shot Multivibrator	F/P	20.25	16.20	13.50
PD9962 51	Triple 3-Input Gate	DIP	6.50	5.20	4.35
PL9962 51	Triple 3-Input Gate	F/P	6.50	5.20	4.35
PD9608 51	Hex Gate	DIP	7.80	6.25	5.20
PL9608 51	Hex Gate	F/P	7.80	6.25	5.20
PH2001 51	High Voltage High Current Driver	F/P	34.70	27.76	23.25
PH2001 51	High Voltage High Current Driver	TO-5	31.30	25.04	20.97

### FAMILY PRICING

These parts may be mixed in any quantities within the temperature ranges and package design for each family

1. F/P Ceramic 1/4 x 1/4 Flat Package (CERPAK)
2. DIP PD Ceramic Dual Inline Package (CERDIP)
3. For TO-5 packaging consult your local sales representative.

♦ TRADEMARK OF FAIRCHILD CAMERA AND INSTRUMENT CORPORATION. USED UNDER LICENSE.

# Philco-Ford Microelectronics Suggested OEM Price List

## Diode Transistor Logic ◊

(0°C to 75°C)

DEVICE	DESCRIPTION	PKG. <sup>1, 2, 3</sup>	1-24	25-99	100-999
PD9093 59	Dual Clocked JK Flip-Flop	DIP	\$ 6.10	\$ 4.90	\$ 4.00
PL9093 59	Dual Clocked JK Flip-Flop	F/P	6.10	4.90	4.00
PD9094 59	Dual Clocked JK Flip-Flop	DIP	6.10	4.90	4.00
PL9094 59	Dual Clocked JK Flip-Flop	F/P	6.10	4.90	4.00
PD9097 59	Dual Clocked JK Flip-Flop	DIP	6.10	4.90	4.00
PL9097 59	Dual Clocked JK Flip-Flop	F/P	6.10	4.90	4.00
PD9099 59	Dual Clocked JK Flip-Flop	DIP	6.10	4.90	4.00
PL9099 59	Dual Clocked JK Flip-Flop	F/P	6.10	4.90	4.00
PD9930 59	Dual 4-Input Gate	DIP	3.60	2.90	2.40
PL9930 59	Dual 4-Input Gate	F/P	3.60	2.90	2.40
PD9931 59	JK or RS Binary	DIP	4.05	3.25	2.70
PL9931 59	JK or RS Binary	F/P	4.05	3.25	2.70
PD9932 59	Dual Buffer	DIP	4.05	3.25	2.70
PL9932 59	Dual Buffer	F/P	4.05	3.25	2.70
PD9933 59	Dual 4-Input Expander	DIP	3.50	2.80	2.35
PL9933 59	Dual 4-Input Expander	F/P	3.50	2.80	2.35
PD9936 59	Hex Inverter	DIP	4.35	3.50	2.90
PL9936 59	Hex Inverter	F/P	4.35	3.50	2.90
PD9944 59	Dual Power Gate	DIP	4.05	3.25	2.70
PL9944 59	Dual Power Gate	F/P	4.05	3.25	2.70
PD9945 59	Clocked Flip-Flop	DIP	5.25	4.20	3.50
PL9945 59	Clocked Flip-Flop	F/P	5.25	4.20	3.50
PD9946 59	Quad Gate	DIP	3.60	2.90	2.40
PL9946 59	Quad Gate	F/P	3.60	2.90	2.40
PD9948 59	Binary	DIP	5.25	4.20	3.50
PL9948 59	Binary	F/P	5.25	4.20	3.50
PD9950 59	Pulsed Triggered Binary	DIP	11.60	9.30	7.75
PL9950 59	Pulsed Triggered Binary	F/P	11.60	9.30	7.75
PD9951 59	One-Shot Multivibrator	DIP	11.60	9.30	7.75
PL9951 59	One-Shot Multivibrator	F/P	11.60	9.30	7.75
PD9962 59	Triple 3-Input Gate	DIP	3.60	2.90	2.40
PL9962 59	Triple 3-Input Gate	F/P	3.60	2.90	2.40
PD9608 59	Hex Gate	DIP	4.35	3.50	2.90
PL9608 59	Hex Gate	F/P	4.35	3.50	2.90
PH2001 59	High Voltage High Current Driver	F/P	14.75	11.80	9.85
PH2001 59	High Voltage High Current Driver	TO-5	13.40	10.70	8.95

### FAMILY PRICING

These parts may be mixed in any quantities within the temperature ranges and package design for each family

1. F/P Ceramic 1/4 x 1/4 Flat Package (CERPAK)
2. DIP PD Ceramic Dual Inline Package (CERDIP)
3. For TO-5 packaging consult your local sales representative.

◊ TRADEMARK OF FAIRCHILD CAMERA AND INSTRUMENT CORPORATION. USED UNDER LICENSE.

# Philco-Ford Microelectronics Suggested OEM Price List

## DTL-Epoxy Dual In-line Package (DIP)

(0°C to 75°C)

DEVICE	DESCRIPTION		1-24	25-99	100-999
PE9930	Dual 4-Input Gate with Extender	\$	1.80	\$ 1.45	\$ 1.20
PE9932	Dual 4-Input Buffer with Extender		2.00	1.60	1.35
PE9933	Dual 4-Input Extender		1.70	1.40	1.15
PE9944	Dual 4-Input Power Gate with Extender		2.00	1.60	1.35
PE9945	RS/JK Master-Slave Clocked Flip-Flop		3.65	2.90	2.45
PE9946	Quad 2-Input Gate		2.00	1.60	1.35
PE9948	RS/JK Master-Slave Clocked Flip-Flop		3.65	2.90	2.45
PE9962	Triple 3-Input Gate		2.00	1.60	1.35
PE9608	Hex Inverter		2.70	2.15	1.80

## Micro Energy Logic (MEL)

(-55°C to +125°C)

DEVICE	DESCRIPTION	PKG.	1-24	25-99	100-999
PL9986 21	Buffer	F/P	\$22.50	\$18.00	\$15.00
PL9987 21	Dual 3-Input Gate	F/P	22.50	18.00	15.00
PL9988 21	JK Flip-Flop	F/P	31.30	25.20	21.00

(0°C to 75°C)

PL9986 29	Buffer	F/P	\$17.25	\$13.80	\$11.50
PL9987 29	Dual 3-Input Gate	F/P	17.25	13.80	11.50
PL9988 29	JK Flip-Flop	F/P	24.20	19.30	16.10

## Milliwatt III (MW/3)

(-55°C to +125°C)

DEVICE	DESCRIPTION	PKG.	1-24	25-99	100-999
PL9975 21	Adder	F/P	\$25.55	\$20.45	\$16.80
PL9976 21	Buffer	F/P	21.50	17.20	14.15
PL9977 21	Dual 2-Input Gate	F/P	18.40	14.75	12.10
PL9978 21	Dual 3-Input Gate	F/P	21.25	17.00	14.55
PL9979 21	Expander	F/P	17.50	14.00	11.50
PL9980 21	4-Input Gate	F/P	17.50	14.00	11.50
PL9981 21	Half Adder	F/P	24.85	19.90	16.35
PL9983 21	Quad 2-Input Gate	F/P	24.45	19.60	16.75
PL9984 21	Type D Flip-Flop	F/P	37.45	30.00	24.60
PL9985 21	Triple 3-Input Gate	F/P	24.45	19.60	16.75

### FAMILY PRICING

These parts may be mixed in any quantities within the temperature ranges and package design for each family

# Philco-Ford Microelectronics Suggested OEM Price List

## Interface Circuits

(-55°C to +125°C)

DEVICE	DESCRIPTION	PKG.	1-24	25-99	100-999
PL9606 21	Source Switch Gate	F/P	\$31.20	\$27.00	\$20.80
PL9607 21	Sink Switch Gate	F/P	35.00	31.30	23.65
PL9610 21	Pulse Threshold Circuit	TO-5	36.45	32.50	25.00
PL9611 21	Triple Level Shifter	TO-5	29.20	23.25	20.00

## Super RTL Integrated Circuits

(-55°C to +125°C)

DEVICE	DESCRIPTION	PKG.	1-24	25-99	100-999
PL9600 21	J-K Flip-Flop With Inverted K	F/P	\$37.50	\$32.50	\$25.00
PL9601 21	J-K Flip-Flop	F/P	37.00	32.00	24.50
PL9602 21	Buffer	F/P	25.20	21.85	16.80
PL9603 21	Dual 3-Input Gate	F/P	21.85	18.90	14.55
PL9604 21	Dual 3-Input Gate Expander	F/P	20.80	18.00	13.85
PL9605 21	Half Adder	F/P	29.40	25.50	19.60

(0° to 75°C)

PL9600 23	J-K Flip-Flop With Inverted K	F/P	\$10.20	\$ 8.80	\$ 6.80
PL9601 23	J-K Flip-Flop	F/P	9.90	8.55	6.60
PL9602 23	Buffer	F/P	5.00	4.35	3.35
PL9603 23	Dual 3-Input Gate	F/P	4.80	4.15	3.20
PL9604 23	Dual 3-Input Gate Expander	F/P	4.60	4.00	2.95
PL9605 23	Half Adder	F/P	7.20	6.20	4.80

## Micrologic Integrated Circuits

(-55°C to +125°C)

DEVICE	DESCRIPTION	PKG.	1-24	25-99	100-999
PL9900 21	Buffer	TO-5	\$12.30	\$ 9.84	\$ 8.20
PL9901 21	Counter Adapter	TO-5	48.10	38.50	32.20
PL9902 21	Flip-Flop	TO-5	25.60	20.50	17.15
PL9903 21	3-Input Gate	TO-5	20.00	16.00	13.40
PL9904 21	Half Adder	TO-5	37.00	29.60	24.80
PL9905 21	Half Shift Register	TO-5	53.40	42.70	35.75
PL9906 21	Half Shift W/O Inverter	TO-5	40.00	32.00	26.80
PL9907 21	4-Input Gate	TO-5	12.00	9.60	8.00
PL9914 21	Dual 2-Input Gate	TO-5	13.80	11.04	9.20
PL9915 21	Dual 3-Input Gate	TO-5	18.00	14.40	12.00
PL9916 21	JK Flip-Flop	TO-5	50.00	40.00	33.50
PL9923 21	JK Flip-Flop	TO-5	50.00	40.00	33.50
PL9926 21	JK Flip-Flop W/Buffer Output	TO-5	28.00	22.40	18.65

### FAMILY PRICING

These parts may be mixed in any quantities within the temperature ranges and package design for each family

# Philco-Ford Microelectronics Suggested OEM Price List

## Milliwatt Micrologic ♦

(-55°C to +125°C)

DEVICE	DESCRIPTION	PKG.	1-24	25-99	100-999
PL9609 21	Twin Buffer	TO-5	\$33.85	\$27.10	\$22.65
PL9908 21	Adder	TO-5	\$29.10	\$23.25	\$19.50
PL9908 21	Adder	F/P	37.85	30.25	25.35
PL9909 21	Buffer	TO-5	21.80	17.45	14.60
PL9909 21	Buffer	F/P	28.35	22.70	19.00
PL9910 21	Dual 2-Input Gate	TO-5	18.70	14.95	12.50
PL9910 21	Dual 2-Input Gate	F/P	24.30	19.45	16.30
PL9911 21	4-Input Gate	TO-5	18.30	14.65	12.25
PL9911 21	4-Input Gate	F/P	23.80	19.05	15.95
PL9912 21	Half Adder	TO-5	25.40	20.30	17.00
PL9912 21	Half Adder	F/P	33.00	26.40	22.10
PL9913 21	Type D Flip-Flop	TO-5	50.00	40.00	33.50
PL9913 21	Type D Flip-Flop	F/P	65.00	52.00	43.55
PL9921 21	Expander	TO-5	19.00	15.20	12.75
PL9921 21	Expander	F/P	24.70	19.75	16.55
PL9939 21	Dual 3-Input Gate	TO-5	21.05	16.85	14.05
PL9939 21	Dual 3-Input Gate	F/P	27.40	21.95	18.20
PL9940 21	JK Flip-Flop	TO-5	43.20	34.55	28.75
PL9940 21	JK Flip-Flop	F/P	55.25	44.20	36.70

(0°C to 75°C)

DEVICE	DESCRIPTION	PKG.	1-99	100-999
PL9609 23	Twin Buffer	TO-5	\$ 6.95	\$ 4.75
PL9908 23	Adder	TO-5	5.35	3.60
PL9909 23	Buffer	TO-5	4.20	2.80
PL9910 23	Dual 2-Input Gate	TO-5	3.00	1.95
PL9911 23	4-Input Gate	TO-5	3.00	1.95
PL9912 23	Half Adder	TO-5	5.35	3.60
PL9913 23	Register	TO-5	6.75	4.50
PL9921 23	Expander	TO-5	3.00	1.95
PL9939 23	Dual 3-Input Gate	TO-5	4.00	2.65
PL9940 23	JK Flip-Flop	TO-5	9.50	6.25

### FAMILY PRICING

These parts may be mixed in any quantities within the temperature ranges and package design for each family

♦ TRADEMARK OF FAIRCHILD CAMERA AND INSTRUMENT CORPORATION, USED UNDER LICENSE.



# Philco-Ford Microelectronics Suggested OEM Price List

## TTL

(-55°C to +125°C)

TYPE	DESCRIPTION	1-99	100-999
*			
PD9620 61	Dual Four Input Nand Gate	\$ 7.85	\$ 6.55
PD9620 71	Dual Four Input Nand Gate	6.25	5.20
PD9621 61	Quad Two Input Nand Gate	7.85	6.55
PD9621 71	Quad Two Input Nand Gate	6.25	5.20
PD9622 61	Triple Three Input Nand Gate	7.85	6.55
PD9622 71	Triple Three Input Nand Gate	6.25	5.20
PD9623 61	Thirty MHz JK Flip-Flop (and Inputs)	11.04	9.20
PD9623 71	Thirty MHz JK Flip-Flop (and Inputs)	8.75	7.30
PD9624 61	50 MHz JK Flip-Flop (and Inputs)	11.04	9.20
PD9624 71	50 MHz JK Flip-Flop (and Inputs)	8.75	7.30
PD9625 61	Single Eight Input Nand Gate	7.85	6.55
PD9625 71	Single Eight Input Nand Gate	6.25	5.20
PD9626 61	30 MHz JK Flip-Flop (or Inputs)	11.04	9.20
PD9626 71	30 MHz JK Flip-Flop (or Inputs)	8.75	7.30
PD9627 61	50 MHz JK Flip-Flop (or Inputs)	11.04	9.20
PD9627 71	50 MHz JK Flip-Flop (or Inputs)	8.75	7.30
PD9628 61	Expandable Dual Four Input and/or Invert Gate	7.85	6.55
PD9628 71	Expandable Dual Four Input and/or Invert Gate	6.25	5.20
PD9629 61	Dual Four Input and/or Expander	5.90	4.90
PD9629 71	Dual Four Input and/or Expander	4.70	3.90
PD9630 61	Expandable Four-Wide 2-2-2-3 Input and/or Invert Gate	7.85	6.55
PD9630 71	Expandable Four-Wide 2-2-2-3 Input and/or Invert Gate	6.25	5.20
PD9631 61	Expandable Four-Wide 3-2-2-3 Input	5.90	4.90
PD9631 71	Expandable Four-Wide 3-2-2-3 Input	4.70	3.90
PD9632 61	Expandable Dual 2-Wide, 2 Input and/or Invert Gate	7.85	6.55
PD9632 71	Expandable Dual 2-Wide, 2 Input and/or Invert Gate	6.25	5.20
PD9634 61	Expandable Single Eight Input Nand Gate	7.85	6.55
PD9634 71	Expandable Single Eight Input Nand Gate	6.25	5.20
PD9635 61	Expandable Dual Four and/or Gate	7.85	6.55
PD9635 71	Expandable Dual Four and/or Gate	6.25	5.20
PD9636 61	Dual 2 and 3 or Expander	5.90	4.90
PD9636 71	Dual 2 and 3 or Expander	4.70	3.90
PD9637 61	Expandable Triple Three	7.85	6.55
PD9637 71	Expandable Triple Three	6.25	5.20

### FAMILY PRICING

These parts may be mixed in any quantities within the temperature ranges and package design for each family

61 Indicates Prime Fan Out  
71 Indicates Standard Fan Out

\* Also available in (PL) Flat Pack at same price.

# Philco-Ford Microelectronics Suggested OEM Price List

## TTL

(0°C to +70°C)

TYPE	DESCRIPTION	1-99	100-999
*			
PD9620 69	Dual Four Input Nand Gate	\$ 4.55	\$ 3.80
PD9620 79	Dual Four Input Nand Gate	3.60	3.00
PD9621 69	Quad Two Input Nand Gate	4.55	3.80
PD9621 79	Quad Two Input Nand Gate	3.60	3.00
PD9622 69	Triple Three Input Nand Gate	4.55	3.80
PD9622 79	Triple Three Input Nand Gate	3.60	3.00
PD9623 69	Thirty MHz JK Flip-Flop (and Inputs)	6.35	5.30
PD9623 79	Thirty MHz JK Flip-Flop (and Inputs)	5.05	4.20
PD9624 69	50 MHz JK Flip-Flop (and Inputs)	6.35	5.30
PD9624 79	50 MHz JK Flip-Flop (and Inputs)	5.05	4.20
PD9625 69	Single Eight Input Nand Gate	4.55	3.80
PD9625 79	Single Eight Input Nand Gate	3.60	3.00
PD9626 69	30 MHz JK Flip-Flop (or Inputs)	6.35	5.30
PD9626 79	30 MHz JK Flip-Flop (or Inputs)	5.05	4.20
PD9627 69	50 MHz JK Flip-Flop (or Inputs)	6.35	5.30
PD9627 79	50 MHz JK Flip-Flop (or Inputs)	5.05	4.20
PD9628 69	Expandable Dual Four Input and/or Invert Gate	4.55	3.80
PD9628 79	Expandable Dual Four Input and/or Invert Gate	3.60	3.00
PD9629 69	Dual Fan Input and/or Expander	3.40	2.85
PD9629 79	Dual Fan Input and/or Expander	2.65	2.25
PD9630 69	Expandable Four-Wide 2-2-2-3 Input and/or Invert Gate	4.55	3.80
PD9630 79	Expandable Four-Wide 2-2-2-3 Input and/or Invert Gate	3.60	3.00
PD9631 69	Expandable Four-Wide 3-2-2-3 Input	3.40	2.85
PD9631 79	Expandable Four-Wide 3-2-2-3 Input	2.65	2.25
PD9632 69	Expandable Dual 2-Wide, 2 Input and/or Invert Gate	4.55	3.80
PD9632 79	Expandable Dual 2-Wide, 2 Input and/or Invert Gate	3.60	3.00
PD9634 69	Expandable Single 8 Input Nand Gate	4.55	3.80
PD9634 79	Expandable Single 8 Input Nand Gate	3.60	3.00
PD9635 69	Expandable Dual Four and/or Gate	4.55	3.80
PD9635 79	Expandable Dual Four and/or Gate	3.60	3.00
PD9636 69	Dual 2 and 3 or Expander	3.40	2.85
PD9636 79	Dual 2 and 3 or Expander	2.65	2.25
PD9637 69	Expandable Triple Three	4.55	3.80
PD9637 79	Expandable Triple Three	3.60	3.00

### FAMILY PRICING

These parts may be mixed in any quantities within the temperature ranges and package design for each family

69 Indicates Prime Fan Out

79 Indicates Standard Fan Out

\* Also available in (PL) Flat Pack at same price.

# Philco-Ford Microelectronics Suggested OEM Price List

## Linear Integrated Circuits

(-55°C to +125°C)

TYPE	DESCRIPTION	PKG.	1-24	25-99	100-999
PA7600	Broadband Amplifier	TO-5	\$11.80	\$ 9.45	\$ 7.85
PL7600	Broadband Amplifier	F/P	12.95	10.35	8.65
PA7602	Utility Amplifier	TO-5	24.00	19.20	16.00
PL7602	Utility Amplifier	F/P	26.40	21.10	17.60
PA7709 31	Operational Amplifier	TO-5	12.80	12.80	8.55
PD7709 31	Operational Amplifier	DIP	12.80	12.80	8.55
PL7709 31	Operational Amplifier	F/P	18.80	18.80	12.55
PA7710 31	Differential Comparator	TO-5	10.80	10.80	7.10
PD7710 31	Differential Comparator	DIP	10.80	10.80	7.10
PL7710 31	Differential Comparator	F/P	10.80	10.80	7.10
PA7711 31	Dual Differential Comparator	TO-5	14.10	14.10	9.40
PD7711 31	Dual Differential Comparator	DIP	14.10	14.10	9.40
PL7711 31	Dual Differential Comparator	F/P	20.70	20.70	13.80
PA7712 31	General Purpose Amplifier	TO-5	10.80	10.80	7.10
PD7712 31	General Purpose Amplifier	DIP	10.80	10.80	7.10
PL7712 31	General Purpose Amplifier	F/P	10.80	10.80	7.10
PA7713	R. F. , I. F. , Video Amplifier	TO-5	10.00	8.00	6.70
PL7713	R. F. , I. F. , Video Amplifier	F/P	10.00	8.00	6.70

(-55°C to +100°C)

PA7601	Bandpass Amplifier	TO-5	20.00	16.00	13.35
PL7601	Bandpass Amplifier	F/P	22.00	17.60	15.70

(0°C to +70°C)

PA7703 39(C)	R. F. , I. F. , Amplifier	Epoxy	4.60	4.60	3.10
PA7703 49(E)	R. F. , I. F. , Amplifier	Epoxy	3.15	3.15	2.10
PA7709 39	Operational Amplifier	TO-5	6.10	6.10	4.05
PD7709 39	Operational Amplifier	DIP	6.10	6.10	4.05
PL7709 39	Operational Amplifier	F/P	9.95	9.95	6.65
PA7710 39	Differential Comparator	TO-5	5.75	5.75	3.85
PD7710 39	Differential Comparator	DIP	5.75	5.75	3.85
PL7710 39	Differential Comparator	F/P	5.75	5.75	3.85
PA7711 39	Dual Differential Comparator	TO-5	6.70	6.70	4.45
PD7711 39	Dual Differential Comparator	DIP	6.70	6.70	4.45
PL7711 39	Dual Differential Comparator	F/P	10.95	10.95	7.30
PA7712 39	General Purpose Amplifier	TO-5	4.85	4.85	3.25
PD7712 39	General Purpose Amplifier	DIP	4.85	4.85	3.25
PL7712 39	General Purpose Amplifier	F/P	4.85	4.85	3.25

### FAMILY PRICING

These parts may be mixed in any quantities within the temperature ranges and package design for each family

PA TO-5 Indicates Package  
 PL F/P Indicates Flat Pack  
 PD DIP Indicates Dual Inline Package

# Philco-Ford Microelectronics Suggested OEM Price List

## Hybrids

The nature of hybrid circuitry makes it practical to design and manufacture circuits using all the many active components available through the planar technology. This includes PNP, NPN, FET and MOS FET all on the same substrate. In addition, passive elements with widely varying value and low temperature coefficient can also be utilized.

Philco hybrid packaging concepts run the gamut from epoxy encapsulated circuits for industrial uses where cost and environmental problems strike a balance ... to highest reliability devices hermetically sealed to TO-5 or flat pack, designed for the most rugged military or space requirements. For prices on hybrid circuits contact the nearest sales office.

In addition, the following is a list of standard hybrid circuits:

### STANDARD HYBRID CIRCUITS\*

(-55°C to +125°C)

#### Voltage Regulators

<u>DEVICE</u>	<u>DESCRIPTION</u>	<u>PKG.</u>	<u>1-24</u>	<u>25-99</u>	<u>100-999</u>
PH 5203	Hybrid Voltage Regulator + 12V	TO-5	\$ 42.00	\$ 35.00	\$ 28.00

#### Interface Circuits

<u>DEVICE</u>	<u>DESCRIPTION</u>	<u>PKG.</u>	<u>1-24</u>	<u>25-99</u>	<u>100-999</u>
PH 5001	Input Interface	TO-5	\$ 3.25	\$ 3.25	\$ 3.25
PH 5002	Output Interface	TO-5	3.25	3.25	3.25
PH 5003	Input/Output Interface	TO-5	5.25	5.25	5.25

### FAMILY PRICING

These parts may be mixed in any quantities within each family.

\* These parts will be available approximately August 1, 1968  
Consult your nearest sales office.

# Philco-Ford Microelectronics Suggested OEM Price List

## MOS Complex Arrays

(-55°C to +125°C)

DEVICE	DESCRIPTION	PKG.	1-24	25-99	100-999
pL4C01	BCD Decade Counter	F/P	\$40.00	\$32.00	\$27.00
** pL4C07A	7-Stage Binary Counter	F/P	30.00	24.00	20.00
pL4G01	Dual 4-Input Gate	F/P	12.60	10.00	8.40
pL4G02	BCD to Decimal Decoder	F/P	41.00	32.75	27.50
pL4G04	3-Input NOR Gate	TO-5	12.00	9.60	8.00
pL4G05	3-Input NAND Gate	TO-5	12.00	9.60	8.00
pL4G10	Hex 2 Input NOR + 2 Inverters	F/P	30.00	24.00	20.00
* pL4G10A	Hex 2 Input NOR + 2 Inverters	F/P	45.00	36.00	30.00
pL4G11	Dual 4 Input NOR + Dual 5 Input NOR	F/P	30.00	24.00	20.00
* pL4G11A	Dual 4 Input NOR + Dual 5 Input NOR	F/P	45.00	36.00	30.00
pL4G12	Dual 9 Input NOR	F/P	30.00	24.00	20.00
* pL4G12A	Dual 9 Input NOR	F/P	45.00	36.00	30.00
pL4M01	Dual JK Flip-Flop	F/P	16.50	13.10	11.00
pL4M02	Low Power Binary	TO-5	13.60	10.90	9.10
pL4S01	Analog Switch	F/P	42.75	34.20	28.50
pL4S02	D to A Converter Stge. Reg.	F/P	33.50	26.75	22.35
pL4S10	10 Channel Analog Switch	F/P	37.50	30.00	25.00
pL4S16	16 Channel Multiplexer	F/P	135.00	108.00	90.00
* pL5R32	Dual 8/16 Bit Shift Register	TO-5	42.00	33.60	30.00
* pL5R40	Dual 20 Bit Shift Register	TO-5	45.00	36.00	30.00
pL5R50	Single 50 Bit Shift Register	TO-5	37.50	30.00	25.00
pL5R100	Dual 50 Bit Shift Register	TO-5	60.00	48.00	40.00
pL5R128	Dual 64 Bit Shift Register	TO-5	66.00	52.80	44.00
+ pL5R128A	Dual 64 Bit Shift Register	TO-5	120.00	96.00	80.00
pL5R250	250 Bit Shift Register	TO-5	82.50	66.00	55.00
+ pL5R250A	250 Bit Shift Register	TO-5	135.00	108.00	90.00
pL5R256	256 Bit Shift Register	TO-5	82.50	66.00	55.00
+ pL5R256A	256 Bit Shift Register	TO-5	135.00	108.00	90.00
pM1024	1024 Bit Read Only Memory	F/P	105.00	84.00	70.00
++ pM1024A	1024 Bit Read Only Memory	F/P	135.00	108.00	90.00

### FAMILY PRICING

These parts may be mixed in any quantities within the temperature ranges and package design for each family

- 
- \*\* A version is 500 kHz
  - \* A version is 125 ns
  - + A version is 5 MHz
  - ++ A version is 1  $\mu$ sec

# Philco-Ford Microelectronics Suggested OEM Price List

## MOS Complex Arrays

(0° to +70°C)

DEVICE	DESCRIPTION	PKG.	1-24	25-99	100-999
pL4C01C	BCD Decade Counter	F/P	\$22.50	\$18.00	\$15.00
pL4C07C	7-Stage Binary Counter	F/P	7.50	6.00	5.00
** pL4C07AC	7-Stage Binary Counter	F/P	10.50	8.40	7.00
pL4G01C	Dual 4-Input Gate	F/P	9.75	7.80	6.50
pL4G02C	BCD to Decimal Decoder	F/P	22.50	18.00	15.00
pL4G04C	3-Input NOR Gate	TO-5	9.75	7.80	6.50
pL4G05C	3-Input NAND Gate	TO-5	10.50	8.40	7.00
pL4G10C	Hex 2 Input NOR + 2 Inverters	F/P	18.00	14.40	12.00
* pL4G10AC	Hex 2 Input NOR + 2 Inverters	F/P	27.00	21.60	18.00
pL4G11C	Dual 4 Input NOR + Dual 5 Input NOR	F/P	18.00	14.40	12.00
* pL4G11AC	Dual 4 Input NOR + Dual 5 Input NOR	F/P	27.00	21.60	18.00
pL4G12C	Dual 9 Input NOR	F/P	18.00	14.40	12.00
* pL4G12AC	Dual 9 Input NOR	F/P	27.00	21.60	18.00
pL4M01C	Dual JK Flip-Flop	F/P	15.00	12.00	10.00
pL4M02C	Low Power Binary	TO-5	12.00	9.60	8.00
pL4S01C	Analog Switch	F/P	22.50	18.00	15.00
pL4S02C	D to A Converter Storage Reg.	F/P	21.00	16.80	14.00
pL4S10C	10 Channel Analog Switch	F/P	22.50	18.00	15.00
pL4S16C	16 Channel Multiplexer	F/P	82.50	66.00	55.00
pL5R32C	Dual 8/16 Bit Shift Register	TO-5	12.00	9.60	8.00
pL5R40C	Dual 20 Bit Shift Register	TO-5	12.00	9.60	8.00
pL5R50C	Single 50 Bit Shift Register	TO-5	14.80	11.80	9.85
pL5R100C	Dual 50 Bit Shift Register	TO-5	15.00	12.00	10.00
pL5R128C	Dual 64 Bit Shift Register	TO-5	34.50	29.60	23.00
+ pL5R128AC	Dual 64 Bit Shift Register	TO-5	67.50	54.00	45.00
pL5R250C	250 Bit Shift Register	TO-5	45.00	36.00	30.00
+ pL5R250AC	250 Bit Shift Register	TO-5	75.00	60.00	50.00
pL5R256C	256 Bit Shift Register	TO-5	45.00	36.00	30.00
+ pL5R256AC	256 Bit Shift Register	TO-5	75.00	60.00	50.00
pM1024C	1024 Bit Read Only Memory	F/P	67.50	54.00	45.00
++ pM1024AC	1024 Bit Read Only Memory	F/P	90.00	72.00	60.00

### FAMILY PRICING

These parts may be mixed in any quantities within the temperature ranges and package design for each family

- \*\* A version is 500 kHz
- \* A version is 125 ns
- + A version is 5 MHz
- ++ A version is 1 μsec

# Philco-Ford Microelectronics Suggested OEM Price List

## MOS Field Effect Transistors

### P-CHANNEL MOS FET's

DEVICE	DESCRIPTION	PKG.	1-99	100-999
2N3608	MOS FET	TO-5	\$12.00	\$ 8.05
41004	MOS FET	TO-46	14.00	10.05
2N3610	MOS FET	TO-18	14.65	9.80
SC1600	MOS FET	TO-5	5.00	3.75
SC1601	MOS FET	TO-5	4.65	3.50
SC1611	MOS FET	TO-5	4.00	3.00
SC1612	MOS FET	TO-46	4.67	3.50
SC1613	MOS FET	TO-5	2.70	1.80
SC1614	MOS FET	TO-46	3.06	2.30
SC1625	MOS FET	TO-5	6.00	4.00

## Philco Epoxy Transistors

(-55°C to +125°C)

DEVICE	DESCRIPTION	1-99	100-999	1K-4999	5K-9999
2N3563	NPN Lo Level RF	\$ .75	\$ .50	\$ .35	\$ .29
2N3565	NPN Hi Gain Aud Pre-amp	.62	.43	.28	.24
2N3566	NPN Hi Gain Med Pwr Driver	.60	.41	.26	.22
2N3638	PNP 500 mA Digital Driver	.46	.31	.28	.26
2N3638A	PNP Hi Gain Line Driver	.70	.54	.43	.37
2N3691	NPN Aud & Video Amp, Stereo Multiplex	.62	.43	.28	.24
2N3692	NPN Aud & Video Amp, Stereo Multiplex	.68	.47	.32	.27
2N3693	NPN AM-FM Receiver Applications	.75	.50	.35	.29
2N3694	NPN AM-FM Receiver Applications	.79	.53	.37	.30
2N4248	PNP Lo Level, Lo No Amp	.50	.33	.25	.22
2N4249	PNP Lo Level, Lo No Amp	.75	.50	.38	.34
2N4250	PNP Lo Level, Lo No Amp	.80	.53	.40	.36
PET0404	PNP Med Pwr Gen Pur Amp	.57	.37	.27	.25
PET0404-1	PNP Hi Freq Amp, Hi Spd Sw	.69	.46	.35	.32
PET0404-2	PNP Hi Gain Amp, Hi Spd Sw	.79	.53	.40	.37
PET1001	NPN Hi Voltage, Med Gain Amp	.58	.38	.28	.26
PET1002	NPN Hi Voltage, Hi Gain Amp	.59	.39	.29	.27
PET1075	NPN Hi Voltage Nixie Driver	.65	.45	.35	.32
PET1075A	NPN Hi Voltage Nixie Driver	.87	.58	.45	.40
PET2001	NPN Med Voltage, Med Gain RF/IF Amp	.63	.42	.32	.29
PET2002	NPN Med Voltage, Hi Gain RF/IF Amp	.71	.47	.35	.33
PET3001	NPN 800 MC Sm Sig VHF/UHF Osc	.62	.41	.31	.29
PET3002	NPN 800 MC Med Voltage VHF/UHF Osc	.71	.47	.35	.33
PET3641	NPN Class C RF Amp & Hi Current Sw	.70	.54	.36	.30
PET3642	NPN Class C RF Amp & Hi Current Sw	.79	.59	.40	.34
PET3643	NPN Class C RF Amp & Hi Current Sw	.74	.56	.37	.31

# Philco-Ford Microelectronics Suggested OEM Price List

## Philco Epoxy Transistors

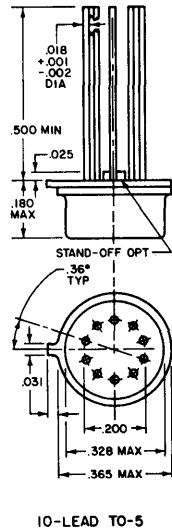
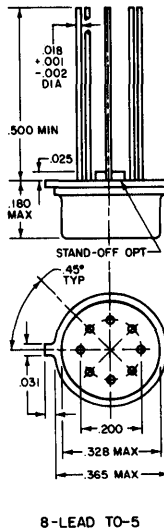
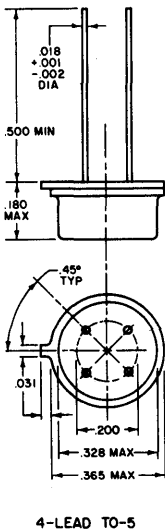
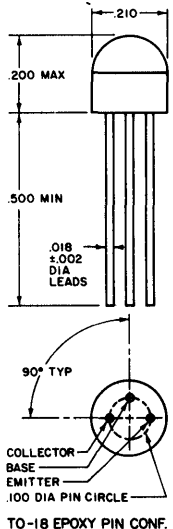
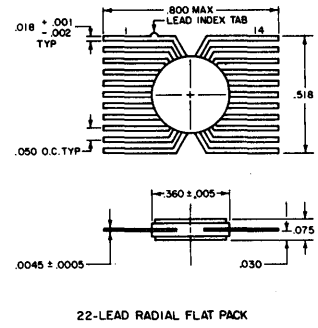
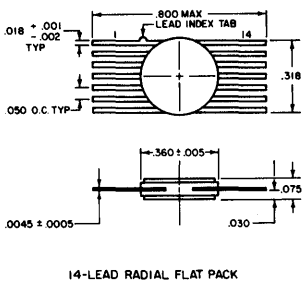
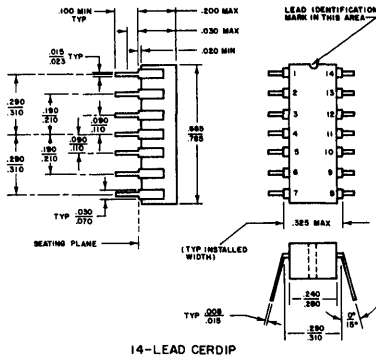
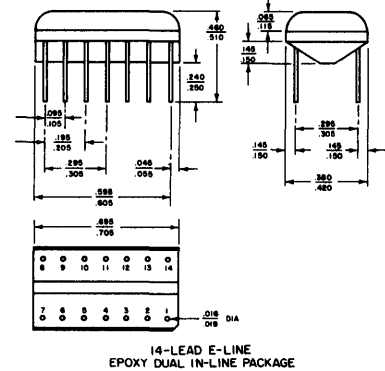
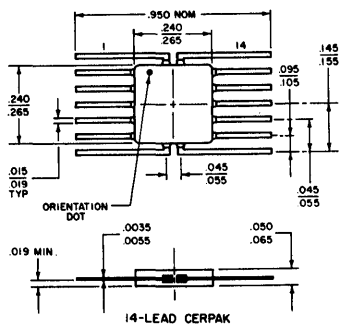
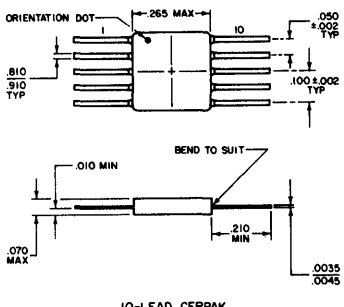
(-55°C to +125°C)

DEVICE	DESCRIPTION	1-99	100-999	1K-4999	5K-9999
PET3704	NPN Med Pwr Amp, Class B Aud, Hi Fi Driver	\$ .60	\$ .41	\$ .26	\$ .22
PET3705	NPN Med Pwr Amp, Class B Aud, Hi Fi Driver	.57	.38	.24	.20
PET3706	NPN Med Pwr Amp, Class B Aud, Hi Fi Driver	.52	.35	.22	.18
PET3903	NPN Gen Pur Sw & Amp	.75	.50	.37	.34
PET3904	NPN Gen Pur Sw & Amp	.82	.55	.41	.37
PET3905	PNP Gen Pur Sw & Amp	.75	.50	.37	.34
PET3906	PNP Gen Pur Sw & Amp	.82	.55	.41	.37
PET4001	NPN Lo No Lo Gain Pre-amp	.53	.35	.26	.25
PET4002	NPN Lo No Med Gain Pre-amp	.56	.37	.28	.26
PET4003	NPN Lo No Hi Gain Pre-amp	.63	.42	.31	.29
PET4123	NPN Gen Pur Sw & Amp	.52	.35	.26	.23
PET4124	NPN Gen Pur Sw & Amp	.60	.40	.30	.27
PET4125	PNP Gen Pur Sw & Amp	.52	.35	.26	.23
PET4126	PNP Gen Pur Sw & Amp	.60	.40	.30	.27
PET6001	NPN 500 mA Lo Gain Aud Amp	.62	.41	.31	.29
PET6002	NPN 500 mA Med Gain Aud Amp	.66	.44	.33	.31
PET6003	NPN 500 mA Hi Gain Aud Amp	.59	.39	.29	.27
PET8000	NPN Lo No Aud Amp	.53	.35	.26	.25
PET8001	NPN Lo No Aud Amp	.56	.37	.28	.26
PET8002	NPN Lo No Aud Amp	.62	.41	.30	.28
PET8003	NPN Lo No Aud Amp	.67	.46	.35	.33
PET8004	NPN Lo No Aud Amp	.65	.44	.33	.30
PET8101	NPN 1400 MC Sm Sig VHF/UHF Osc	1.23	.82	.62	.57
PET9001	NPN Hi Gain, Hi Spd, Sat Sw	.56	.37	.28	.26
PET9002	NPN Med Voltage, Hi Spd, Sat Se	.53	.35	.26	.25
PET9021	NPN Med Voltage, Hi Spd, Sat Sw	.69	.46	.35	.32
PET9022	NPN Lo Voltage, Hi Spd, Sat Sw	.60	.39	.30	.28

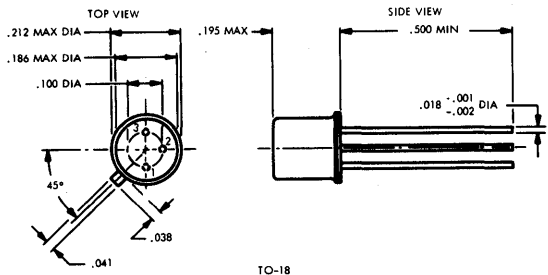


# Philco-Ford Microelectronics Suggested OEM Price List

## Packaging



NOTE: TO-5  
For epoxy transistors, the Pin configuration in epoxy package is also available.



# Philco-Ford Microelectronics Suggested OEM Price List

## SALES OFFICES

### PHILCO-FORD CORPORATION MICROELECTRONICS DIVISION

- 999 North Sepulveda  
Suite 414  
El Segundo, California 90245  
Phone: (213) 772-6226  
TWX: 910-348-6287

### PHILCO-FORD CORPORATION MICROELECTRONICS DIVISION

- 2920 San Ysidro Way  
Santa Clara, California 95051  
Phone: (408) 245-2966  
TWX: 910-339-9238  
910-339-9249

### PHILCO-FORD CORPORATION MICROELECTRONICS DIVISION

- Northwest Industrial Park  
Second Avenue  
Burlington, Massachusetts 01803  
Phone: (617) 272-1600  
TWX: 710-332-1344

### PHILCO-FORD OF CANADA LTD.

- 900 Don Mills Road  
Don Mills, Ontario, Canada  
Phone: (416) 444-2541

### PHILCO-FORD CORPORATION MICROELECTRONICS DIVISION

- 815 Connecticut Ave., N. W.  
Suite 900  
Washington, D. C. 20006  
Phone: (202) 298-7810  
TWX: 202-965-0903

### PHILCO-FORD CORPORATION MICROELECTRONICS DIVISION

- Union Meeting Road  
Blue Bell, Pennsylvania 19422  
Phone: (215) 242-6420  
(Philadelphia Line)  
(215) 643-2280  
TWX: 510-661-0161

### PHILCO-FORD CORPORATION MICROELECTRONICS DIVISION

- 609 Saw Mill River Road  
Ardsley, New York 10502  
Phone: (914) 693-3700  
TWX: 710-564-0803

### PHILCO-FORD CORPORATION

- 400 Clay Road, Room 31  
Rochester, New York 14623  
Phone: (716) 334-1237

# Philco-Ford Microelectronics Suggested OEM Price List

## DOMESTIC SALES REPRESENTATIVES

### ALABAMA

- Rep. Incorporated
- 3322 So. Memorial Parkway  
Huntsville, Alabama 35802  
Phone: (205) 881-9270

### ARIZONA

- Howe & Howe Sales, Inc.
- 4109 North 18th Street  
Phoenix, Arizona 85016  
Phone: (602) 264-7971  
TWX: 910-951-1308

### CONNECTICUT

- J & J Associates
- 965 Dixwell Avenue  
Hamden, Connecticut 06514  
Phone: (203) 624-7800

### COLORADO

- Straube Associates
- P. O. Box 1649  
Boulder, Colorado 80302  
Phone: (303) 443-8600  
TWX: 910-940-3244

### FLORIDA

- Conley-May Associates, Inc.
- P. O. Box 668  
Oviedo, Florida 32765  
Phone: (305) 365-3283  
TWX: 810-856-3520
- Conley-May Associates, Inc.
- 721 S. E. 8th Terrace  
Pampano Beach, Florida 33060  
Phone: (305) 943-8284

### GEORGIA

- Rep. Incorporated
- 1483 Monroe Drive, N. E.  
Atlanta, Georgia 30324  
Phone: (404) 876-1591

### ILLINOIS

- The John G. Twist Company
- 5222 West Diversey Avenue  
Chicago, Illinois 60639  
Phone: (312) 777-2250  
TWX: 910-221-1313

### INDIANA

- R. O. Whitesell & Associates, Inc.
- 6620 East Washington Street  
Indianapolis, Indiana 46219  
Phone: (317) 359-5374  
TWX: 810-341-3320
- R. O. Whitesell & Associates, Inc.
- Central Bldg., Room 272  
Ft. Wayne, Indiana 46802  
Phone: (219) 743-4411  
TWX: 810-332-1416

### KENTUCKY

- R. O. Whitesell & Associates, Inc.
- 3620 Lexington Road  
Lex-Manor Bldg., Room 223  
Louisville, Kentucky 40207  
Phone: (502) 893-7303  
TWX: Indianapolis Office

### MARYLAND

- Bernard White & Co., Inc.
- 7 Church Lane  
Baltimore, Maryland 21208  
Phone: (301) 484-5400  
TWX: 710-862-0860

- Bernard White & Co., Inc.
- District of Columbia  
Phone: (301) 361-5454  
TWX: Baltimore Office

### MASSACHUSETTS

- J & J Associates
- 225 Crescent Street  
Waltham, Massachusetts 02154  
Phone: (617) 899-0160

### MICHIGAN

- R. O. Whitesell & Associates, Inc.
- Southfield Center Bldg.  
25100 Evergreen Road  
Southfield, Michigan 48075 (Detroit)  
Phone: (313) 358-2020  
TWX: 810-232-4939
- R. O. Whitesell & Associates, Inc.
- 303 Fidelity Building  
Benton Harbor, Michigan 49022  
Phone: (616) 927-2041  
TWX: Detroit Office

### MINNESOTA

- Technical Associates, Inc.
- 6121 Excelsior Blvd.  
Minneapolis, Minnesota 55416  
Phone: (612) 929-6721  
TWX: 910-576-2404

### MISSOURI

- L. R. Harry & Associates, Inc.
- 7603 Forsyth, Room 103  
Clayton, Missouri 63105  
Phone: (314) 727-6183
- L. R. Harry & Associates, Inc.
- P. O. Box 588  
Grandview, Missouri 64030  
Phone: (816) 763-3634

### NEW JERSEY

- J. N. Barrett Associates, Inc.
- 812 Federal Street  
Camden, New Jersey 01803  
Phone: (609) 365-2680 (Camden)  
(215) 617-0149 (Philadelphia)  
TWX: 710-891-7379

### NEW YORK

- (Epoxy Transistors)
- S. A. Shaw Company
- 361 Central Park Avenue  
Yonkers, New York 10704  
Phone: (914) 963-5700

- Bertram D. Aaron
- 55 Northern Blvd.  
Greenvale, L. I., New York 11548  
Phone (516) 621-0630

- James L. Semple Associates
- 21 Edgewater Lane  
Rochester, New York 14617  
Phone: (716) 342-1413

### OHIO

- R. O. Whitesell & Associates, Inc.
- Magek Building  
21139 Lorain Avenue  
Cleveland, Ohio 44126  
Phone: (216) 333-2585  
TWX: 810-421-8521

- R. O. Whitesell & Associates, Inc.
- 4133 South Dixie Avenue  
Dayton, Ohio 45439  
Phone: (513) 298-9546  
TWX: 810-459-1827

- R. O. Whitesell & Associates, Inc.
- 1172 West Galbraith  
Cincinnati, Ohio 45231  
Phone: (513) 521-2290  
TWX: Dayton Office

### OREGON

- (Epoxy Transistors)
- C. K. Shanks Associates
- P. O. Box 25385  
Portland, Oregon 97225  
Phone (503) 292-5655

### PENNSYLVANIA

- R. O. Whitesell & Associates, Inc.
- 201 Penn Center Blvd.  
Pittsburgh, Pennsylvania 15235  
Phone: (412) 242-0100  
TWX: Cleveland Office

### TEXAS

- Dunbar Associates, Inc.
- P. O. Box 30511  
Dallas, Texas 75230  
Phone: (214) 239-7151  
TWX: 910-860-5006

### WASHINGTON

- Western Technical Sales
- P. O. Box 902  
Bellevue, Washington 98004  
Phone: (206) 454-3906  
TWX: 910-443-2309

# Philco-Ford Microelectronics Suggested OEM Price List

## DISTRIBUTORS

### MILGRAY ELECTRONICS

- 160 Varick Street  
New York, New York 10013  
Phone: (212) 989-1600  
TWX: 710-581-5808

### MILGRAY ELECTRONICS

- 5133 Lawrence Place  
Hyattsville, Maryland 20781  
Phone: (301) 864-6330  
TWX: 710-826-1127

### MILGRAY · DELAWARE VALLEY ELECTRONICS

- 2532 North Broad Street  
Philadelphia, Pennsylvania 19132  
Phone: (215) 228-2000  
TWX: 710-670-3400

### MILGRAY ELECTRONICS

- 79 Terrace Hall Avenue  
Burlington, Massachusetts 01803  
Phone: (617) 272-6800

### ARCO ELECTRONICS, INC.

- 75 Gaylord Street  
Elk Grove Village, Illinois 60007  
Phone: (312) 439-8100  
TWX: 910-222-1794

### GENESEE RADIO & PARTS CO.

- 2550 Delaware  
Buffalo, New York  
Phone: (716) 873-9661

### HAMMOND ELECTRONICS, INC.

- 911 West Central Blvd.  
Orlando, Florida  
Phone: (305) 241-6601

### QPL ELECTRONICS DISTRIBUTORS

- 75 North Beacon Street  
Watertown, Massachusetts 02172  
Phone: (617) 924-4100

### ELECTRONICS MARKETING CORPORATION

- 814 W. 3rd Avenue  
Columbus, Ohio 43212  
Phone: (614) 299-4161  
TWX: 810-482-1621

### ELECTRONIC PARTS COMPANY

- 1277 Broadway  
Denver, Colorado 80203  
Phone: (303) 266-3755

### BELL ELECTRIC CORPORATION

- 1070 O'Brien Drive  
Menlo Park, California  
Phone: (415) 323-9432  
TWX: 910-373-1222

### K-TRONICS

- 5645 E. Washington Blvd.  
Los Angeles, California 90022  
Phone: (213) 685-6802  
TWX: 910-580-3152

### KIERULFF ELECTRONICS, INC.

- 8797 Balboa Avenue  
San Diego, California 92123  
Phone: (714) 278-2112  
TWX: 910-335-1182

### KIERULFF ELECTRONICS, INC.

- 5940 6th Avenue So.  
Seattle, Washington 98108  
Phone: (206) 763-1550  
TWX: 910-444-2034

### KIERULFF ELECTRONICS, INC.

- 2633 E. Buckeye Road  
Phoenix, Arizona 85034  
Phone: (602) 273-7331  
TWX: 910-951-1550

### KIERULFF ELECTRONICS, INC.

- 6405 Acoma Road, S. E.  
Albuquerque, N. M. 87108  
Phone: (505) 268-3901  
TWX: 910-989-1693

### PHILCO-FORD LTD OF CANADA

- 900 Don Mills Road  
Don Mills, Ontario, Canada  
Phone: (416) 444-2541

### ROME ELECTRONICS, INC.

- 108 Spring Street  
Rome, New York  
Phone: (315) 735-2249

### SOLID STATE ELECTRONICS

- 2643 Manana  
Dallas, Texas 75220  
Phone: (214) 352-2601  
TWX: 910-861-4394

# Philco-Ford Microelectronics Suggested OEM Price List

## DIVISION LOCATIONS

### PHILCO-FORD CORPORATION - GENERAL OFFICES MICROELECTRONICS DIVISION

- 2920 San Ysidro Way  
Santa Clara, California 95051  
Phone: (408) 245-2966  
TWX: 910-339-9238  
910-339-9249

MOS Integrated Circuits  
MOS FET  
Epoxy Encapsulated Transistors

### PHILCO-FORD CORPORATION MICROELECTRONICS DIVISION

- Church Road  
Lansdale, Pennsylvania 19446  
Phone: (215) 855-4681  
TWX: 510-661-7172

Bipolar Linear & Digital  
Integrated Circuits

### PHILCO-FORD CORPORATION MICROELECTRONICS DIVISION

- Union Meeting Road  
Blue Bell, Pennsylvania 19422  
Phone: (215) 646-9100  
TWX: 510-661-0161

Bipolar Linear & Digital  
Integrated Circuits

### PHILCO-FORD CORPORATION MICROELECTRONICS DIVISION

- 500 South Main  
Spring City, Pennsylvania 19475  
Phone: (215) 948-8400  
TWX: 710-637-2424

Hybrid  
Electro Optical  
Microwave

# Philco-Ford Microelectronics Suggested OEM Price List

## INTERNATIONAL DISTRIBUTOR REPRESENTATIVES

### AUSTRALIA

- D. R. Johnston and Company
- "Stanhill 33" Queens Road  
Melbourne, S. C. 2, Australia

### BENELUX

- Euroelectron
- P.O. Box 70  
Bilthoven, Holland

### DENMARK

- Scansupply
- 49 Thorsgade  
Copenhagen N., Denmark

### ENGLAND

- Electronic Component Services  
(Worcester) Ltd.
- Victoria House  
63-66 Foregate Street  
Worcester, England

### FRANCE

- Technique et Produits
- 92 Sevres, Rue Carle Vernet  
Cite Des Bruyers, France

### ISRAEL

- Landseas (Israel) Ltd.
- P.O. Box 16166  
Tel-Aviv, Israel
- Landseas Corporation
- 48 W. 48th Street  
New York, New York 10036
- Machine & Products Company
- 52 Wall Street  
New York, New York 10005

### ITALY

- Ing. Paolo Soldi
- Via Dei Cignoli, 3  
Milano, Italy

### JAPAN

- Kanematsu-Gosho, Ltd.
- 5, 2-Chome, Takara-Cho  
Chuo-ku, Tokyo, Japan
- Matsushita Electric Trading Co., Ltd.
- 15-17 Shinbashi, 6-Chome  
Minato-ku, Tokyo, Japan

### NORWAY

- HENACO A/S-Cort Adellers
- Gate 16  
Box 2456 - Salli  
Oslo 2, Norway  
Phone: Oslo) 56-51-80  
TWX: 1612 Astralaso  
Cable: Henaco

### SPAIN

- Iberia Radio S. A.
- Pujadas 112-116  
Barcelona 5, Spain

### SWEDEN

- A. B. Elektrohoim
- Dalvagen 12, Fack  
Solna 1, Sweden

### SWITZERLAND

- Kontron Electronic Ltd.
- Hardstrasse 235  
8031 Zurich, Switzerland
- Kulicke & Soffa Sales Ag
- Postrasse 14 (P.O. Box 263)  
6300 Zug, Switzerland

### WEST GERMANY

- Neumuller and Company, GmbH
- Karlstrasse 55  
8 Munich 2, West Germany