

Service Manual

Flexible Disk Storage Drive

5.25 Inch

JU-455-5

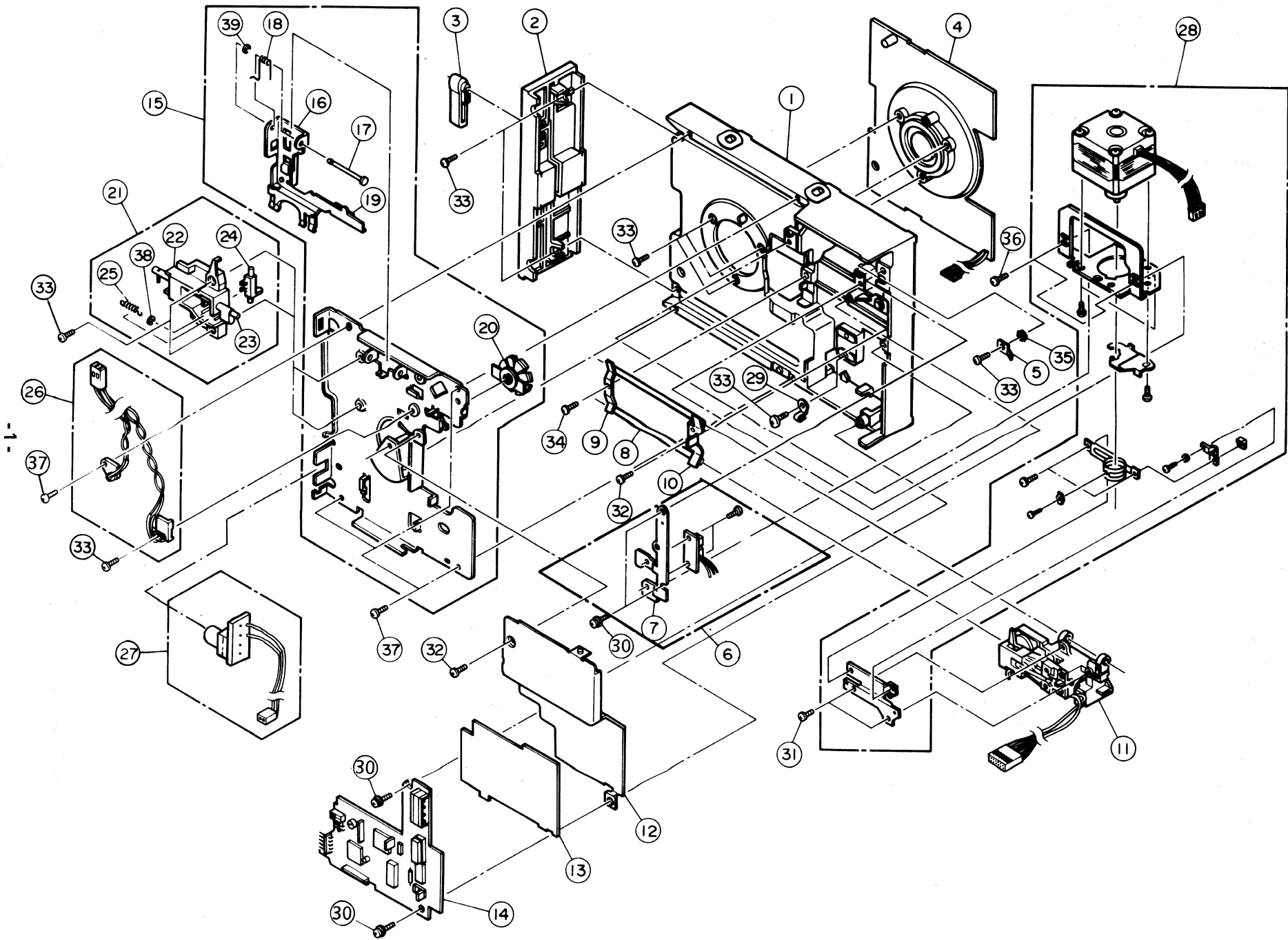
Supplement-1

Please use this supplement together with the service manual for Model No. JU-455-5, ORDER NO. MSD 850902900.

CONTENTS

	Page
EXPLODED VIEW	1
REPLACEMENT PARTS LIST	2
REPLACEMENT PARTS LIST OF PCB	3
SCHEMATIC DIAGRAM	4
CIRCUIT BOARD	5

13. EXPLODED VIEW [JU - 455 - 5 AAG (V)]



14. REPLACEMENT PARTS LIST

MODEL : JU - 455 - 5 AAG (V)

Ref. No.	Part No.	Description	Per Set (pcs.)	*R S P	Remarks
1	YTF3L04792B3	Base	1		
2	YTF5W00152B2	Front Panel	1	3	
3	YTF6A01090B3	Clamp Handle	1	3	
4	YTFMD00880B4	Drive Motor	1		
5	YJ617612	Faston	1		
6	YTUF56TRK-2T	Sensor Assembly (For TRKØ)	1	2	
7	YTF2T01560B4	Bracket (For TRKØ)	1		
8	YTF2E02561B4	Guide Rod	2		
9	333D46331360	Clamp (For Guide Rod Head)	1		
10	YTF2E00581B4	Clamp (For Guide Rod End)	1		
11	YTUF55HDV-K	Head Carriage Assembly	1	2	
12	YTF2H03582B3	Shield Plate	1		
13	YTF2P03593B4	Insulating Paper	1		
14	YTUF55PKV5	PCB Assembly	1	2	
15	YTUF45CG5AAW	Cartridge Guide Assembly	1		
16	YTF3C02732B3	Lifter	1		
17	YTF4H01360B4	Lift Shaft	1		
18	YTF4J01901B4	Lift Spring	1		
19	333D46817500	Pad	1		
20	YTUF47CLT	Collet Assembly	1	2	
21	UF47CLP1BBG	Clamp Assembly	1	2	
22	YTF4F00343B2	Clamp Bearing	1		
23	YTF4H02020B3	Clamp Cam Assembly	1		
24	333D36817693	Lock Cam	1		
25	333D46624770	Lock Spring	1	2	
26	UF45WP4AAAV	Write Protect Assembly	1		
27	YTUF55LED045	LED Assembly (RED)	1	2	
28	YTUF55SM-2	Stepper Motor Assembly	1	2	
29	YTF1G00790B4	Cord Clamp	1		
30	YTF1E00300B4	Washer Head Screw	4		
31	XSB2 + 4V	Screw (M2 × 4 Bind)	2		
32	XSB3 + 4V	Screw (M3 × 4 Bind)	2		
33	XSB3 + 6FX	Screw (M3 × 6 Bind)	10		
34	XSB3 + 6V	Screw (M3 × 6 Bind)	1		
35	XWC3B	Toothed Lock Washer	1		
36	Y-3311	Screw (M3 × 8)	2		
37	Y-1283	Screw (M3 × 6)	4		
38	XUC3	Retaining Ring	1		
39	XUC2	Retaining Ring	1		

*RPS : Recommend Service Parts per 1,000 Units.

Caution : 1. PCB Assembly is produced to order during the production period only.

2. When you order the aforementioned parts, be sure to specify "Part No." of the parts ordered.

15. REPLACEMENT PARTS LIST OF PCB

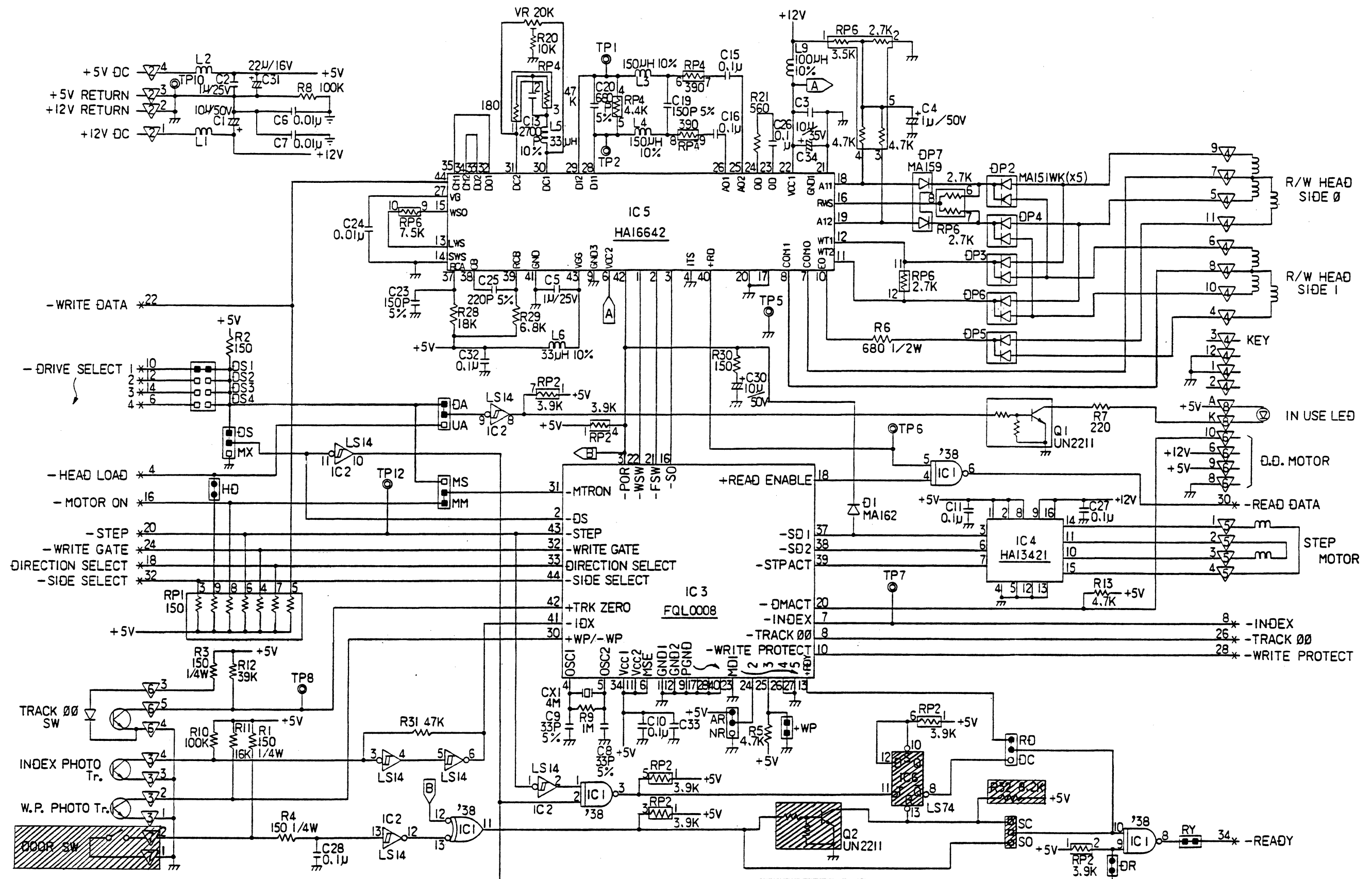
MODEL : JU - 455 - 5 AAG (V)
Component Side (Top)

Ref. No.	Part No.	Description	Per Set (pcs.)	R S P	Remarks
R6	ERDS1TJ681V	Carbon Resistor	1		
C1, 30	ECEA1HKS100E	Electrolyte Capacitor	2		
C2, 5	R23E105ZF	Ceramic Capacitor	2		
C4	ECEA1HKS010E	Electrolyte Capacitor	1		
CN	FJC00080B400	Connector	2		
CN	FJC00080B401	Connector	1		
CN	FJC00090B402	Connector	1		
CN	YTLCC-04M	Connector	1		
CN	YTLC-04A	Connector	1		
CN3	YTFFC4TLBW1B	Connector	1		
CN4	YJFJC00230B4	Connector	1		
CN	FJC00090B401	Connector	1		
CN8	FJC00180B400	Connector	1		
IR1	EXBRB7151JW	Block Resistor	1	2	
IR2	EXBF7E392J	Block Resistor	1		
IR4	EXB-L85368J	Block Resistor	1		
IR6	EXB-G88359S	Block Resistor	1		
L3, 4	FNC00030B426	Low-Frequency Coil	2	2	
L1, 2	YJBL02RN2R62	Choke Coil	2	2	
L5	FNC00030B418	Low-Frequency Coil	1	2	
L6	ELEPG330KA	Choke Coil	1	2	
L9	LAL03KH101K	Choke Coil	1	2	
VR	3321P1-203	Variable Resistor	1	2	
X1	YTKBR-40MS	Resonator	1		
IC	SN74LS14NS	IC	1	2	
IC	YJM53238P	IC	1	2	
P	FJP00420B400	Plug	6		
XV	YJDILB14P8JC	IC Socket	1		
IC	HA13421A	LSI	1	3	
IC5	HA16642MP	IC	1	3	
IC	FQL00310B4	LSI	1	2	
C31	ECEA1CKS220E	Electrolyte Capacitor	1		
C34	ECSZ35HS10	Tantalum Electrolyte Capacitor	1		
D1	MA162	Diode	1		

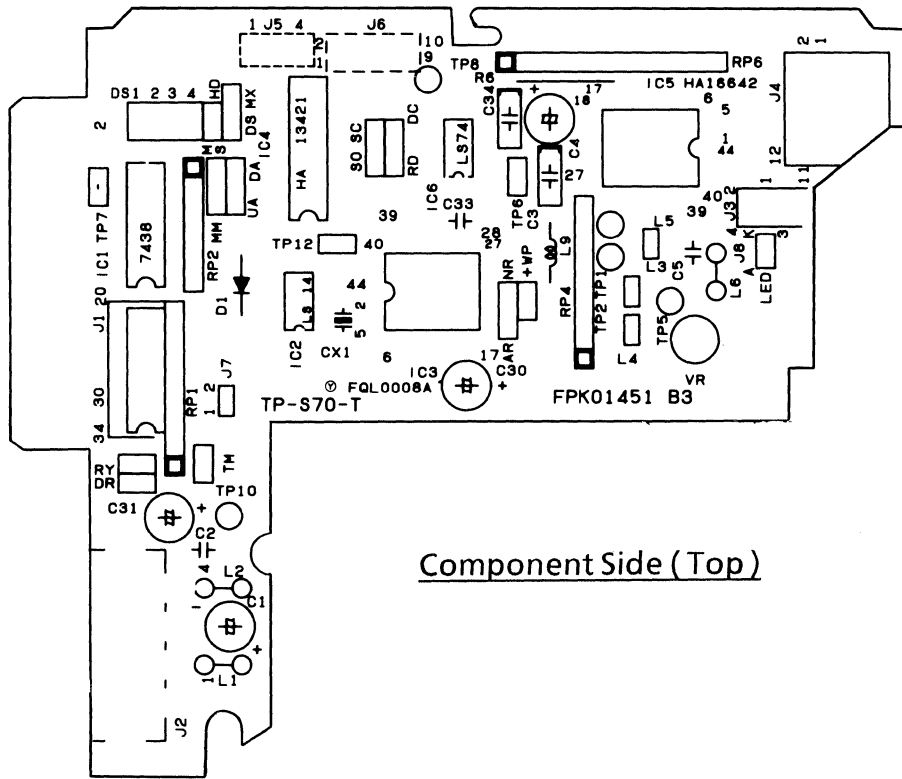
Solder Side (Bottom)

Ref. No.	Part No.	Description	Per Set (pcs.)	R S P	Remarks
R1, 2, 3, 4, 30	FRA00010B428	Chip Resistor	5		
R7	MCR18EZHJ221	Chip Resistor	1		
R8, 10	MCR18EZHJ104	Chip Resistor	2		
R9	MCR18EZHJ105	Chip Resistor	1		
R11	MCR18EZHJ163	Chip Resistor	1		
R12	MCR18EZHJ393	Chip Resistor	1		
R5, 13	MCR18EZHJ472	Chip Resistor	2		
R20	MCR18EZHJ103	Chip Resistor	1		
R21	MCR18EZHJ561	Chip Resistor	1		
R31	MCR18EZHJ473	Chip Resistor	1		
R28	MCR18EZHJ183	Chip Resistor	1		
R29	MCR18EZHJ682	Chip Resistor	1		
C6, 7, 24	FCC00060B408	Chip Capacitor	3		
C8, 9	FCC00040B420	Chip Capacitor	2		
C10, 11, 15, 16, 26, 27, 28, 32	FCC00230B410	Chip Capacitor	8		
C13	FCC00070B409	Chip Capacitor	1		
C19, 23	FCC00200B424	Chip Capacitor	2		
C20	FCC00010B456	Chip Capacitor	1		
C25	FCC00200B426	Chip Capacitor	1		
CN5	YTB4B-PH	Connector	1		
CN6	FJC00220B403	Connector	1		
D	MA151WK-TW	Diode	5	2	
D	MA151WK-TX	Diode	5	2	
D	MA159-TW	Chip Diode	1		
D	MA159-TX	Chip Diode	1		
Q	UN2211-TW	Transistor	1	2	
Q	UN2211-TX	Transistor	1	2	

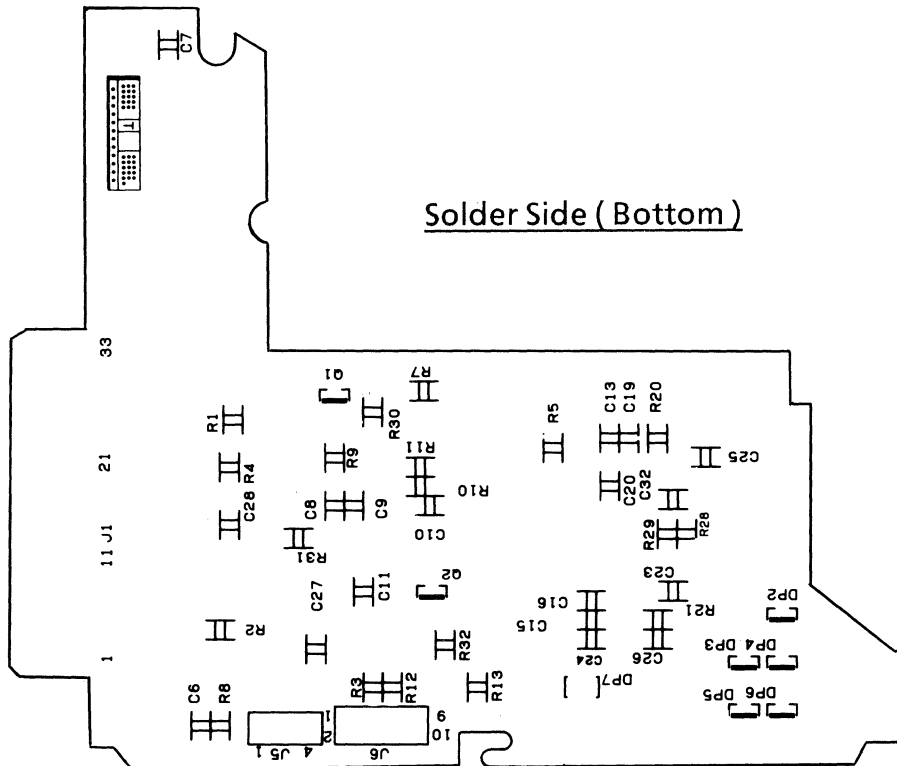
16. SCHEMATIC DIAGRAM [JU - 455 - 5 AAG (v)]



17. CIRCUIT BOARD [JU - 455 - 5 AAG (v)]



Component Side (Top)



Solder Side (Bottom)

Matsushita Communication Industrial Co., Ltd.
Memory Systems Division
3-1, 4-chome, Tsunashima-Higashi
Kohoku-ku, Yokohama 223 JAPAN