

FUNCTION	INPUT PIN	OUTPUT PIN	PAGE/ZONE	REMARKS	FUNCTION	INPUT PIN	OUTPUT PIN	PAGE/ZONE	REMARKS	FUNCTION	INPUT PIN	OUTPUT PIN	PAGE/ZONE	REMARKS
CBUSY.G		22	4-C2	CASS DATA IF	CMRB.Z	219		5-A2	TEST POINT ONLY	CSEND.FA		87	8-D1	CASS DATA IF
CBUSY.GA/		35	4-C2	BALL CONTROL IF						CSPCLK.R	40		7-C4	
										CSRCK2.GA/	42		6-B2	
										CSSTB.FA/	97		4-D2	
CCK15.C		7	7-B2	CASS DATA IF	COSCLK.S/		287	4-B2	CASS DATA IF	CTERR.G		300	8-D2	CASS DATA IF
CCK15.H/		88	7-A1	KEYBOARD IF										
CCK30.H		284	7-B1	CARRIER CNTL IF										
CCK60.H		285	7-B1	MAGNETIC LEDG. IF	CPCW.G/		94	7-B2	TEST POINT ONLY	CTIMEO.G		44	4-C1	CASS DATA IF
CCK120.C		290	7-B2	CASS DATA IF	CPLOUT.ZA/		298	8-C1	TEST POINT ONLY	CTMRK.LA/	89		6-D3	
CCK240.H		81	7-A2	FORMSHANDLER IF	CPP3.LA/	21		4-C3	CASS DATA IF	CTSPD.FA		28	4-B1	
CCK240.N	286	85	7-B2	CASS TRAN IF	CPP4.LA/	24		4-C3		CTRLR1.GA/		12	6-C1	
										CTRLR2.GA/		11	6-C1	
					CPSD10.R		242	6-D4		CUTS.FA/		34	6-C1	
CDCR.SA		281	8-B1	CASS DATA IF	CPSD11.R		239	6-D4						
CDCW.GA/		100	7-C2		CPSD12.R		33	6-D4						
CDPRES.CA		32	6-B3		CPSD13.R/		14	6-D4						
					CPSD20.R		25	6-C4						
					CPSD21.R		95	6-C4						
CEND.G		296	6-D1		CPSD22.R		50	6-C4		CWCNTO.YA		45	7-D2	
CEOD.FA/	23		6-D1		CPSD23.R/		13	6-C4		CWCNT1.Y/		91	7-D2	
CEQOUT.FA		43	8-C3							CWCNT8.YA		84	7-D2	
CEQOUT.G/	247		8-C4							CWCT8.FA		295	7-D1	
										CWCTPE.G	86		7-D3	
					CRCNTO.YA		82	8-D2		CWDATA.G/	41		7-C3	
CERRST.GA/		299	9-B1		CRCTO8.G		248	8-D2		CWRTLH.G	39		6-B3	
CEVEN.LA		27	5-B1		CRD8.LA/	20		6-B4		CWTPM1.L	83		9-B1	
					CRDATA.LA		282	8-B3		CWTPM2.L	283		9-B2	CASS DATA IF
CIRG.GA		293	6-B2		CRDERR.FA	294		9-C2						
CIRGBS.G/		98	6-A2		CRDPER.FA		29	9-D2		GND	53-60			CASS TRANSPORT 1&2
CIRGEN.G	93		6-D2		CRDY1.FA		96	4-D3		GND	62-69			
					CRDY2.FA		10	4-B3	CASS DATA IF	GND	72-79			
					CRET1.Z		71	5-B3	CASS INDICATOR BRD1					
					CRET2.Z		70	5-B3	CASS INDICATOR BRD2					
CLDR16.G/	37		6-B4	CASS DATA IF	CREVLH.GA	38		6-C2	CASS DATA IF					
CLED1.FA/		271	5-B3	CASS INDICATOR BRD1						GND	101,102			605 POWER SUPPLY
CLED2.FA/		270	5-B3	CASS INDICATOR BRD2						G.VD	301,302			(BUSSED)
CLOAD.FA/	99		4-C3	CASS DATA IF	CPEWST.G		297	4-C1	CASS DATA IF					
CLOCK.G		9	8-B1	TEST POINT ONLY	CRWD.G	6		4-D4	CASS DATA IF					
					CRWIND.GA/		90	4-B3	CASS DATA IF					
					CRVDIR.LA/	22		4-D4	CASS DATA IF	MR.A	30		4-A2	CASS DATA IF
CMRA.Z	3		4-C3	TEST POINT ONLY										

REQD.	SIZE	NEXT ASSEMBLY

CLASS	REVISION	APPROVED BY

348-0000408

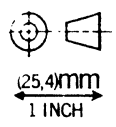
2

REV	RELEASE NO	DATE

NOTES
SIMILAR PARTS
CHANGE (A) NEW

THIS DRAWING AND INFORMATION THEREON IS THE PROPERTY OF THE NATIONAL CASH REGISTER COMPANY AND ALL UNAUTHORIZED USE AND REPRODUCTION IS PROHIBITED.

STD QUALITY SEE SPA004 IS		CLASS M64-2-399		NCR THE NATIONAL CASH REGISTER CO. DAYTON, OHIO	
START 11-74	FINISH 11-74	UNIT CASSETTE INTEREACE		NAME SCHEMATIC - LOGIC	
DESIGNER MW	CHKR JC	DESIGNER S HUESKE		IN SUMMARY (TRANSPORT)	
APP: MW	APP: JC	SHEET 2 OF 9		SCALE	
SUPD BY	SCALE	348-0000408		FIELD PRINT	
SUPERSEDES 095-0011055	CODE 2-9550				



4					3					2				
ITEM	REQD.	DWG. NO.	NAME	SIZE	ITEM	REQD.	DWG. NO.	NAME	SIZE	ITEM	REQD.	DWG. NO.	NAME	SIZE
FUNCTION	INPUT PIN	OUTPUT PIN	PAGE/ZONE	REMARKS	FUNCTION	INPUT PIN	OUTPUT PIN	PAGE/ZONE	REMARKS	FUNCTION	INPUT PIN	OUTPUT PIN	PAGE/ZONE	REMARKS
TB-EOT1.BA	268		9-D4	CASS TRANSPORT 1	TWTSEL1.G/		277	9-B1	CASS TRANSPORT 1	SPARE PINS	4,15,26,31,36,49			
TB-EOT2.BA	267		9-B4	CASS TRANSPORT 2	TWTSEL2.G/		274	9-A1	CASS TRANSPORT 2	(C-399 ONLY)	232,237,241,252,288			
TFWD1.G		278	4-D4	CASS TRANSPORT 1						OPEN PINS	17,46-48,203-218,220-231,233-236,249-251,289,291,292			
TFWD2.G		276	4-D4	CASS TRANSPORT 2										
TGO1.G/		255	4-C2	CASS TRANSPORT 1										
TGO2.G/		254	4-C2	CASS TRANSPORT 2										
TINTK1.G/		261	4-D1	CASS TRANSPORT 1										
TINTK2.G/		280	4-D1	CASS TRANSPORT 2										
TLID1.T/	61		4-D2	CASS TRANSPORT 1										
TLID2.T/	80		4-D3	CASS TRANSPORT 2										
TNTRN1.G/	262		8-C4	CASS TRANSPORT 1										
TNTRN2.G/	263		8-B4	CASS TRANSPORT 2										
TPTRN1.G/	264		8-B4	CASS TRANSPORT 1										
TPTRN2.G/	265		8-A4	CASS TRANSPORT 2										
TRDEN1.G/		257	9-D1	CASS TRANSPORT 1										
TRDEN2.G/		253	9-D1	CASS TRANSPORT 2										
TRDY1.G/	259		4-C4	CASS TRANSPORT 1	+5VDC	1,2		7-B4	605 POWER SUPPLY (BUSSED)					
TRDY2.G/	269		4-C4	CASS TRANSPORT 2	+5VDC	201,202								
TSIDA1.TA/	273		5-B3	CASS TRANSPORT 1	+12VDC	52		8-C2						
TSIDA1.TA/		18	5-B2	CASS DATA IF										
TSIDA2.TA/	272		5-B3	CASS TRANSPORT 2										
TSIDA2.TA/		19	5-B2	CASS DATA IF	-12VDC	51								
TSLOW1.G		279	4-B1	CASS TRANSPORT 1										
TSLOW2.G		275	4-B1	CASS TRANSPORT 2										
TWTDAT1.G		266	7-C1	CASS TRANSPORT 1										
TWTDAT2.G		260	7-C1	CASS TRANSPORT 2										
TWTEN1.G/	256		9-A3	CASS TRANSPORT 1										
TWTEN1.GA		6	9-A2	CASS DATA IF										
TWTEN2.G/	258		9-A2	CASS TRANSPORT 2										
TWTEN2.GA		5	9-A2	CASS DATA IF										

REQD.	SIZE	NEXT ASSEMBLY

CLASS	MODEL	EFFECTIVITY

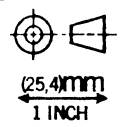
348-0000408

3	REV.	RELEASE NO.	DFTS	DATE
	A	46ER10600	DA	1-75

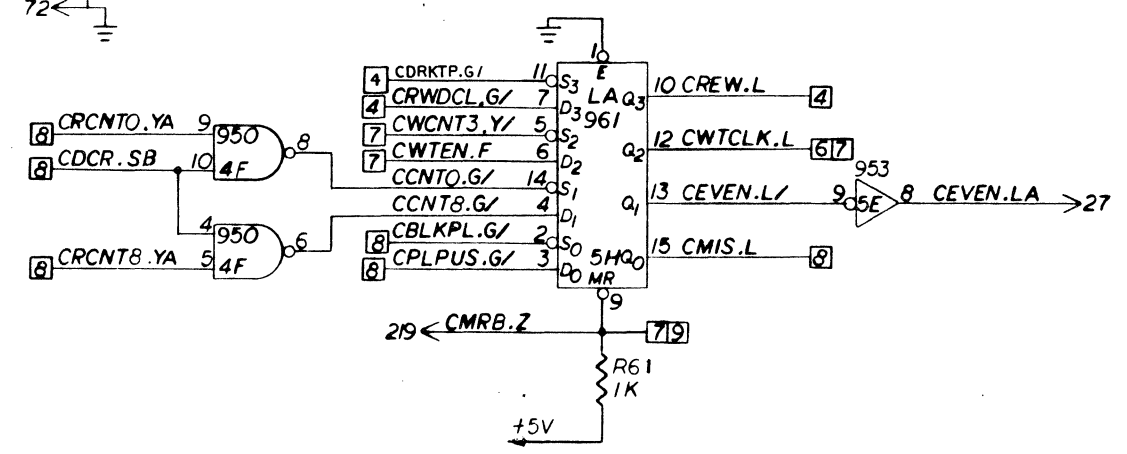
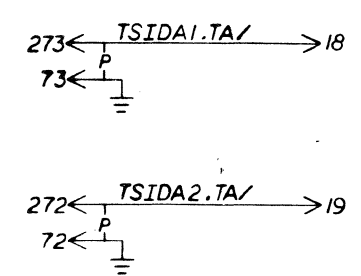
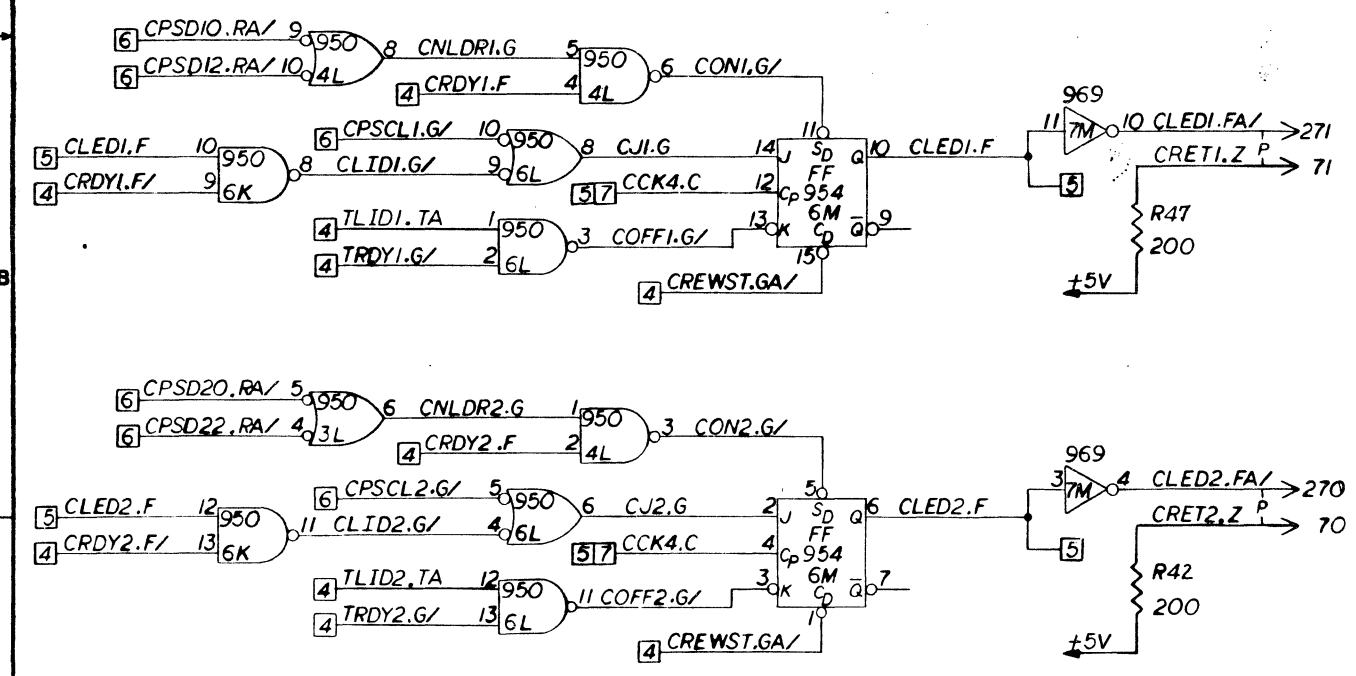
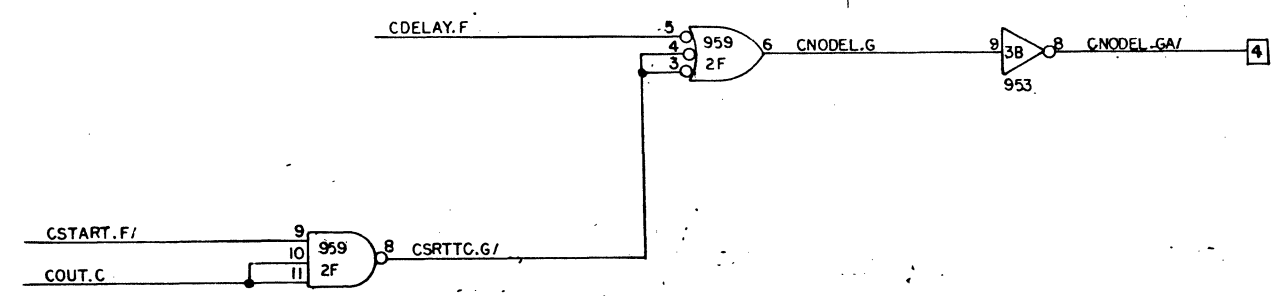
NOTES
SIMILAR PARTS
CHANGES (A) NEW

THIS DRAWING AND INFORMATION THEREON IS THE PROPERTY OF THE NATIONAL CASH REGISTER COMPANY AND ALL UNAUTHORIZED USE AND REPRODUCTION IS PROHIBITED.

STD QUALITY SEE SP4004 15	CLASS M64-2-399	UNIT CASSETTE INTERFACE
START 1-74	FINISH 1-74	NAME SCHEMATIC LOGIC (FIN SUMMARY)(TRANSPORT)
DFTS MW	CHKR JC	DESIGNER S HUESKE
APPD	APPD	SHEET 3 OF 9
SUPSD BY	SCALE	348-0000408
SUPERSEDES 095-0011055	CODE 2-9550	FIELD PRINT



ITEM	REQD.	DWG. NO.	NAME	SIZE	ITEM	REQD.	DWG. NO.	NAME	SIZE	ITEM	REQD.	DWG. NO.	NAME	SIZE	REQD.	SIZE	NEXT ASSEMBLY

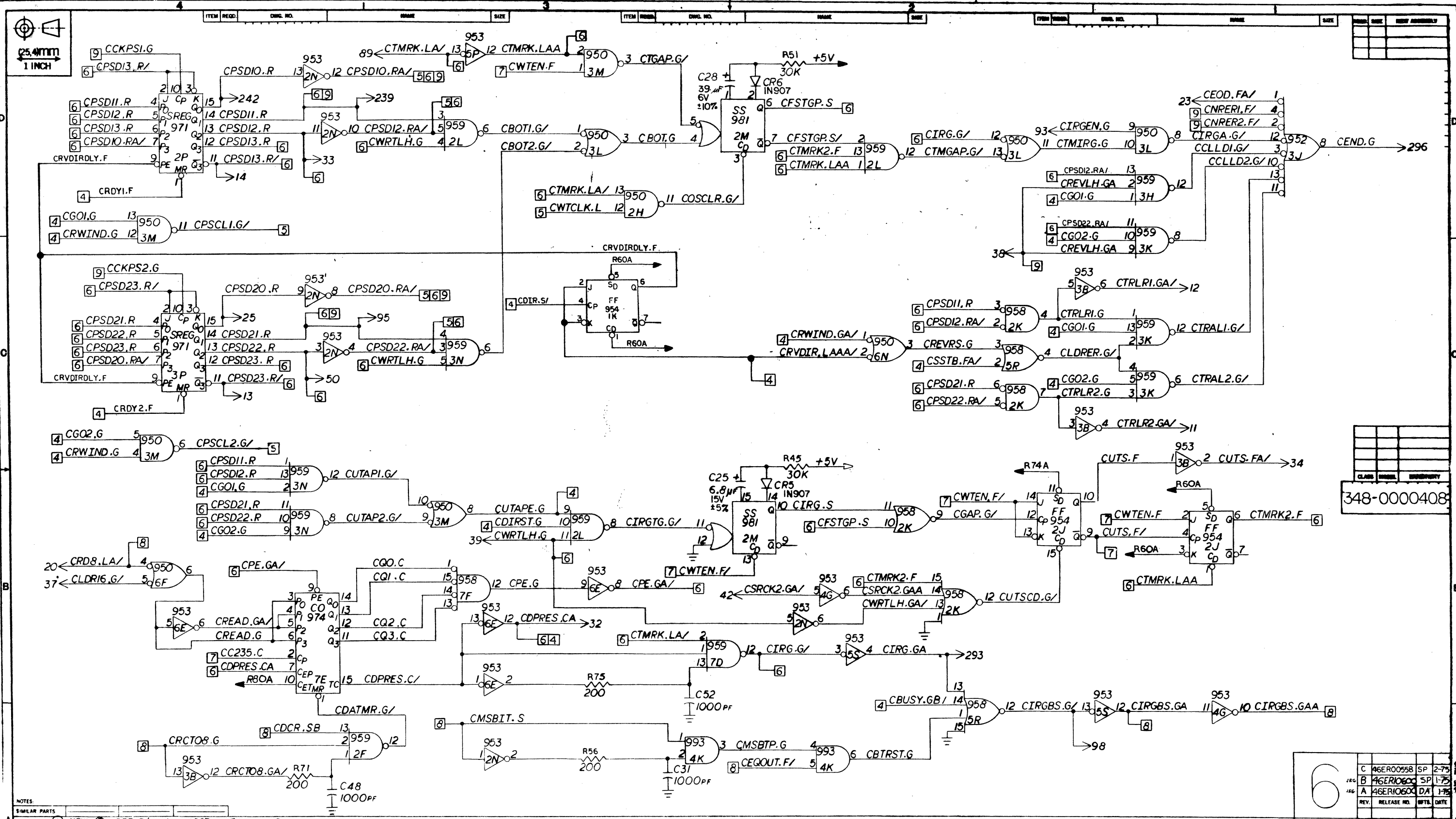


348-0000408

NOTES
SIMILAR PARTS
CHANGES (A) NEW

5
REV. RELEASE NO. DFTS. DATE

STD. QUALITY SEE SP4004.15		CLASS: M64-2-399		THE NATIONAL CASH REGISTER CO. DAYTON, OHIO	
START: 11-79	FINISH: 11-79	UNIT: CASSETTE INTERFACE		NAME: SCHEMATIC-LOGIC	
DFTS: MW	CHDR: JC	DESIGNER: S. HUESKE		(CASSETTE TRANSPORT)	
APPD: []	APPD: []	SHEET: 5 OF 9		SCALE: []	
SUPERSEDES: 095-0011055		CODE: 22550		348-0000408 FIELD PRINT	



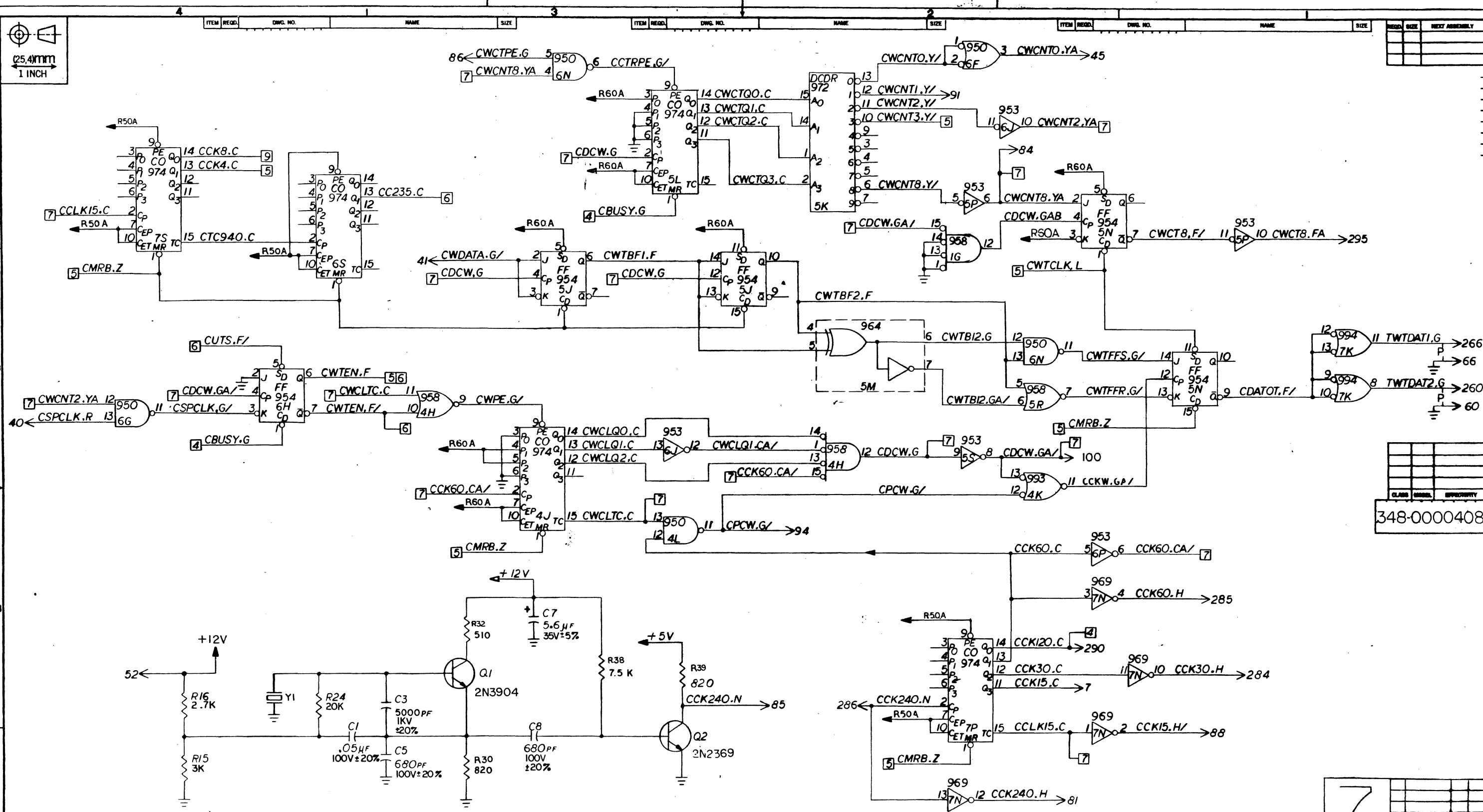
NOTES:
 SIMILAR PARTS:
 CHANGES (A) NEW (B) CDIR.S/ WAS CDIR.S, ZONE C3.

CLASS SERIAL SUBPART
 348-0000408

6	REV. C	46R00558	SP	2-75
	REV. B	46R0600	SP	1-75
	REV. A	46R0600	DA	1-75
	REV.	RELEASE NO.	DATE	

STD. QUALITY SEE SP404.15		CLASS: M64-2-399		UNIT: CASSETTE INTERFACE	
PART: 11-74		FINISH: 11-74		NAME: SCHEMATIC-LOGIC	
DESIGNER: MW		CHKR: JC		DESIGNER: S HUESKE	
APPRO: []		APPRO: []		SCALE: []	
SUPD. BY: []		SCALE: []		SHEET: []	
SUPERSEDES: 095-001105		CODE: 2-9500		348-0000408	

FIELD PRINT



NOTES:
 SIMILAR PARTS
 CHANGES (A) NEW

REV.	RELEASE NO.	DATE

THIS DRAWING AND INFORMATION THEREON IS THE PROPERTY OF THE NATIONAL CASH REGISTER COMPANY AND ALL UNAUTHORIZED USE AND REPRODUCTION IS PROHIBITED.

STD. QUALITY BEE SP4004.15	THE NATIONAL CASH REGISTER CO. DAYTON, OHIO
CLASS: M64-2-399	UNIT: CASSETTE INTERFACE
STRT: 11-74	DATE: 11-74
DESIGNER: S HUESKE	NAME: SCHEMATIC-LOGIC
APPD:	CASSETTE TRANSPORT
SUPD. BY:	SCALE: 348-0000408
SUPERSEDES: 095-0011055	CODE: 2-9550

348-0000408
 FIELD PRINT

