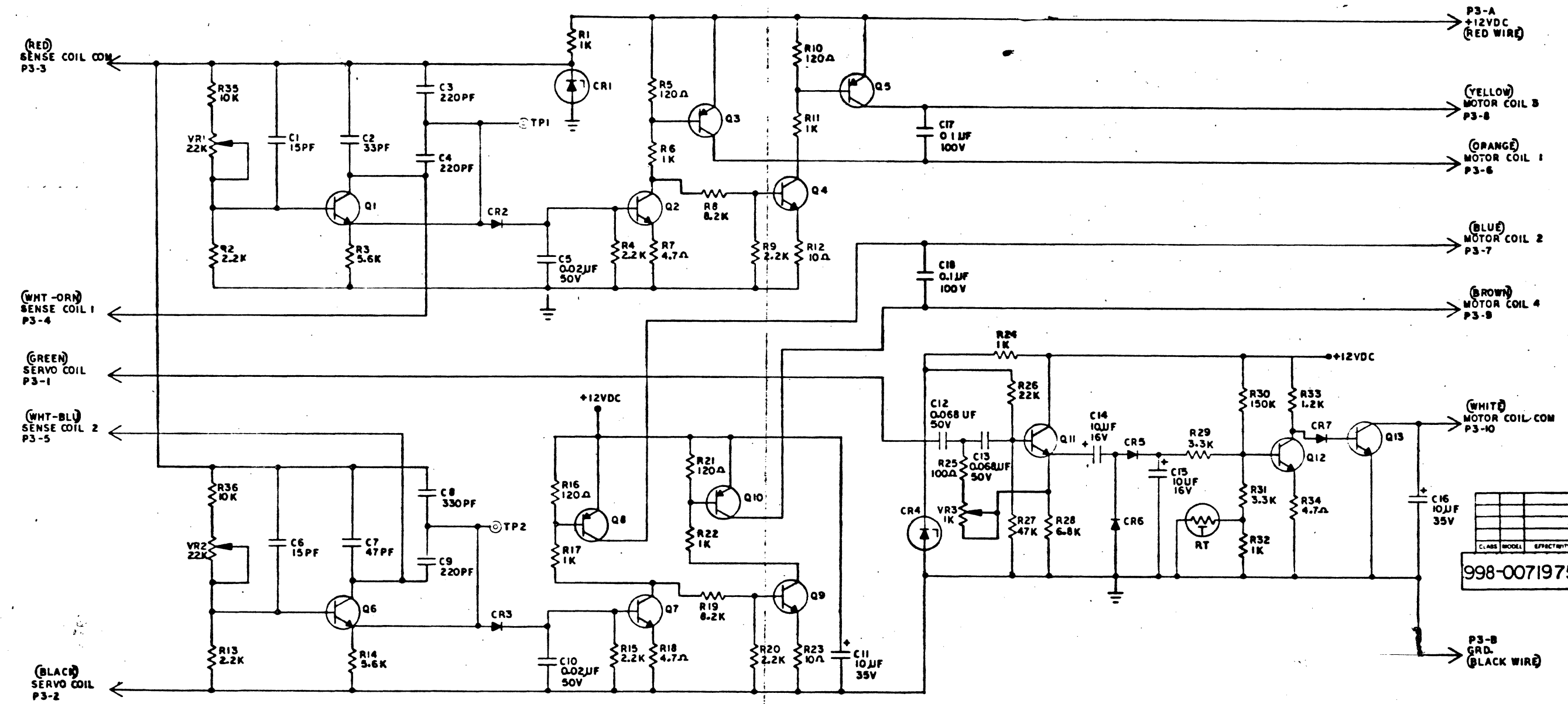




ITEM NO.	QTY	NAME	DATE	ITEM NO.	QTY	NAME	DATE	ITEM NO.	QTY	NAME	DATE
----------	-----	------	------	----------	-----	------	------	----------	-----	------	------

CLASSIFICATION	REV	DATE
M63	B	335-002482



CLASS	MODEL	EFFECTIVITY
998-0071975		

REFERENCE DOCUMENTS	
BOARD-PLUG IN	998-0071974

B	OIER9305 H.F. 1-72
A	OIER9252 HE 3-72
REV	RELEASE NO. DTG DATE

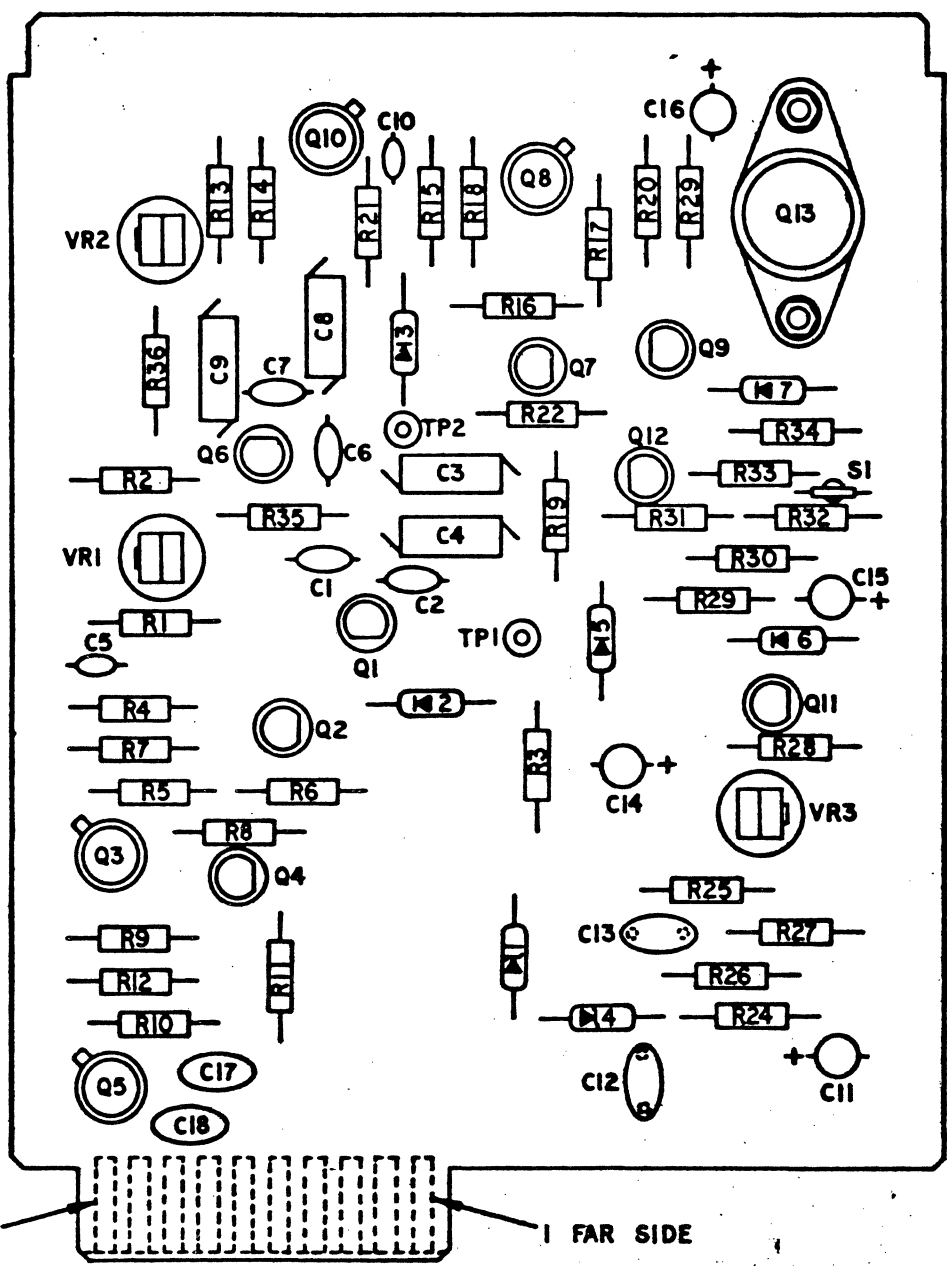
CHANGES (A) REDRAWN - (B) CHANGED THE VOLTAGE OF C11 & C16 AND CHANGED NEXT HIGHER ASSY. NO'S.

NOTE: 1. ALL RESISTORS ARE IN OHMS $\pm 5\%$, 1/4 WATT UNLESS OTHERWISE SPECIFIED.

DATE	BY	REVISION	DESCRIPTION

SCALE	1:1
DATE	998-0071975
CODE	2-9550

FIELD PRINT



PURCHASE AS: TEAC CORP.
 PART NUMBER: 15531040-02
 REVISION LEVEL: A

998-0071974

CLASS	REQD	NEXT ASSEMBLY
M63	1	335-0024982

REFERENCE DOCUMENTS	
NAME	NUMBER
SCHEMATIC	998-0071975
PARTS LIST	998-0071971

B	DIER19305HE	1-73	
A	DIER19252HE	9-72	
REV	RELEASE NO.	DFTS	DATE

NOTES:

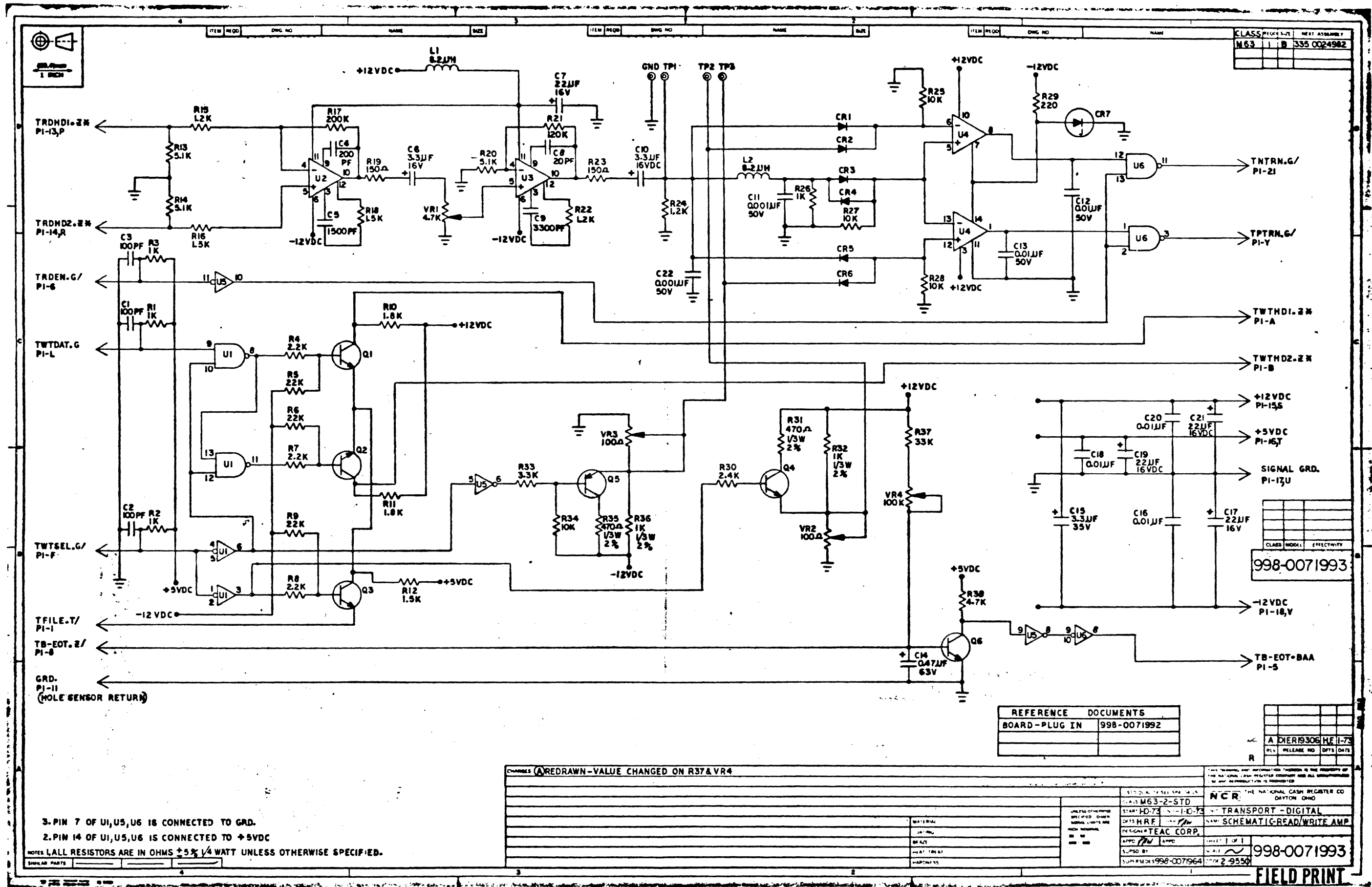
SIMILAR PARTS			
---------------	--	--	--

CHANGES: (A) REDRAWN — (B) CHANGED NEXT HIGHER ASSEMBLY NO'S

MATERIAL: COATING: BRAZE: HEAT TREAT: HARDNESS:	UNLESS OTHERWISE SPECIFIED, DIMENSIONS SHALL BE IN INCHES. XX = Q15 XXX = 006 XXXX = .002	STD QUALITY SEE SP400415 CLASS M63-2-STD START 9-6-72 FINISH 9-6-72 DFTS: RMS CHKR: PAW DESIGNER: TEAC CORP APPD: PAW SUPSD BY: SUPSEDES 998-0071959	THE NATIONAL CASH REGISTER CO. DAYTON, OHIO UNIT: TRANSPORT-DIGITAL NAME: BOARD-PLUGIN (CAPSTAN MOTOR CONTROL) SHEET 1 OF 1 SCALE: 2:1 CODE: 2-9045
---	--	---	--

998-0071974

FIELD PRINT



CLASS	PLUG-IN	NEXT ASSEMBLY
M63	1 B	335 0024982

998-0071993

REFERENCE DOCUMENTS	
BOARD-PLUG IN	998-0071992

3. PIN 7 OF U1,U5,U6 IS CONNECTED TO GND.
 2. PIN 14 OF U1,U5,U6 IS CONNECTED TO +5VDC
 NOTE: ALL RESISTORS ARE IN OHMS ±5% 1/4 WATT UNLESS OTHERWISE SPECIFIED.

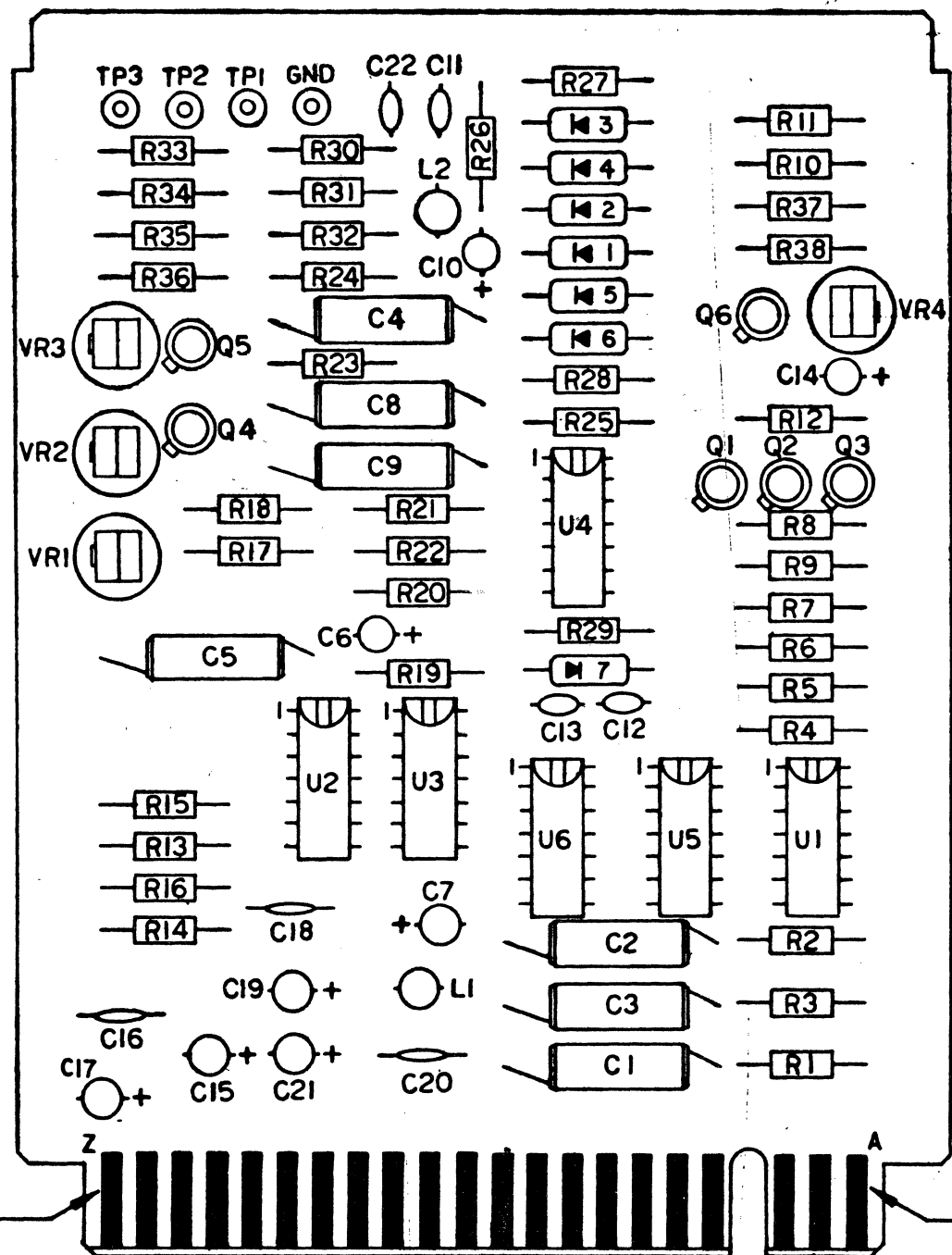
CHANGES (A) REDRAWN-VALUE CHANGED ON R37 & VR4

DATE	BY	REASON	APPROVED

REV	RELEASE NO	DATE

STANDARD	M63-2-STD
START DATE	10-73
DESIGNER	HRE
DESIGNER	TEAC CORP.
APPROVED	
SUPPLIER	
	998-0071993

FIELD PRINT



PURCHASE AS: TEAC CORP.
 PART NUMBER: 15531010-02
 REVISION LEVEL: A

998-0071992

CLASS	REQD	NEXT ASSEMBLY
M63	1	335-0024982

REFERENCE DOCUMENTS	
NAME	NUMBER
SCHEMATIC	998-0071993
PARTS LIST	998-0071994

REV	RELEASE NO.	DFTS	DATE

THIS DRAWING AND INFORMATION THEREON IS THE PROPERTY OF THE NATIONAL CASH REGISTER COMPANY AND ALL UNAUTHORIZED USE AND REPRODUCTION IS PROHIBITED.

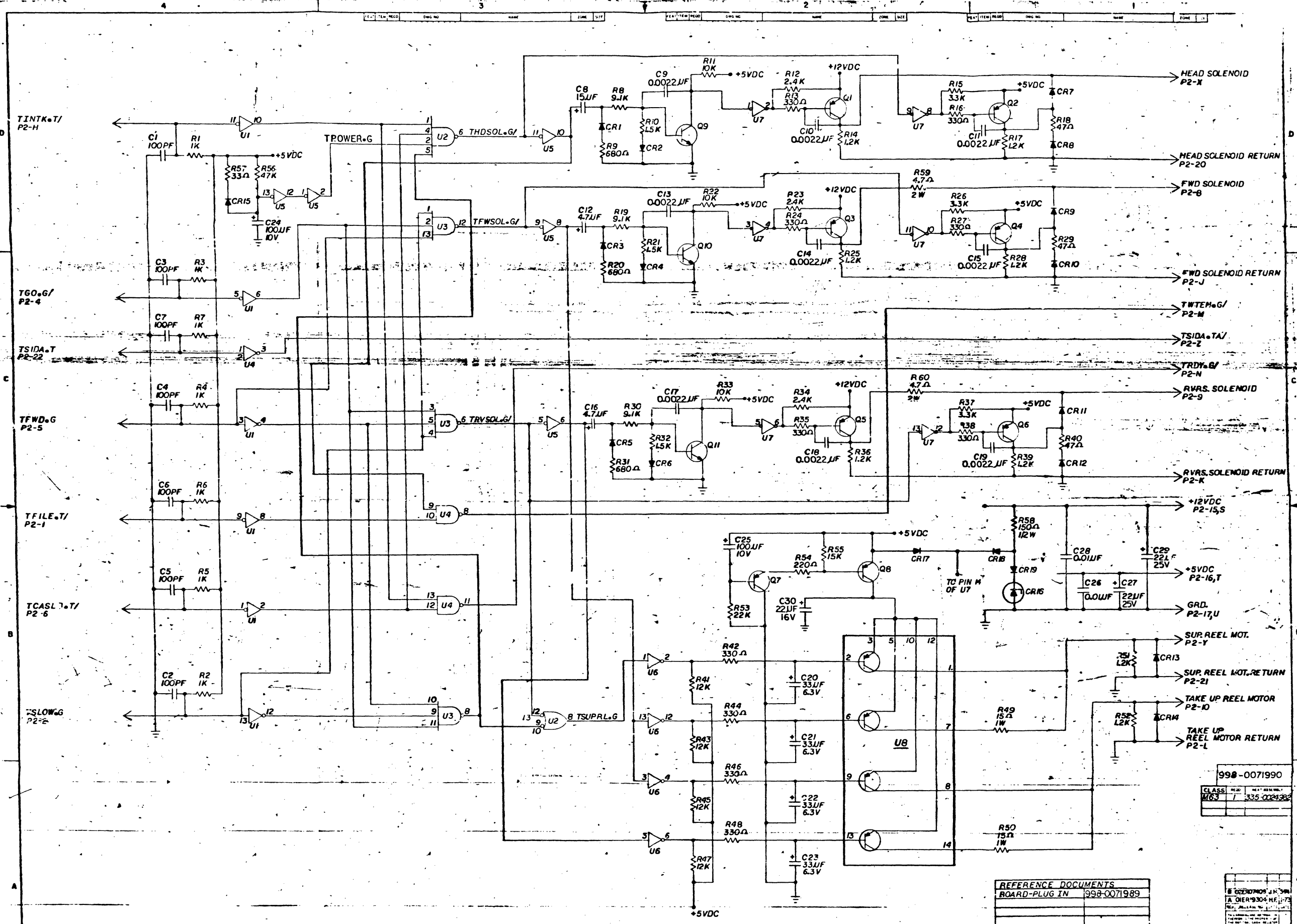
NOTES:

SIMILAR PARTS			

CHANGES: (A) REDRAWN-VALUE CHANGE ON R37 & VR4

UNLESS OTHERWISE SPECIFIED, DIMENSIONAL LIMITS ARE:		STD QUALITY SEE SP4004.15		NCR THE NATIONAL CASH REGISTER CO. DAYTON, OHIO	
MATERIAL:	.XX ± .015	CLASS: M63-2-STD	START: D-73	FINISH: I-D-73	UNIT: TRANSPORT-DIGITAL
COATING:	.XXX ± .005	DFTS: RMS	CHKR: Paw	NAME: BOARD-PLUGIN	(READ/WRITE AMP)
BRAZE:	.XXXX ± .002	DESIGNER: TEAC CORP.	APPD: Paw	SHEET 1 OF 1	
HEAT TREAT:		SUPSD BY:	APPD:	SCALE: 2:1	998-0071992
HARDNESS:		SUPSEDES: 998-0071961	CODE: 2-9045		

FIFTH PRINT



3. PIN 7 OF U1 THRU U7 IS CONNECTED TO GRD.
 2. PIN 14 OF U1 THRU U6 IS CONNECTED TO +5VDC.

ALL RESISTORS ARE IN OHMS ± 5% 1/4 WATT UNLESS OTHERWISE SPECIFIED.

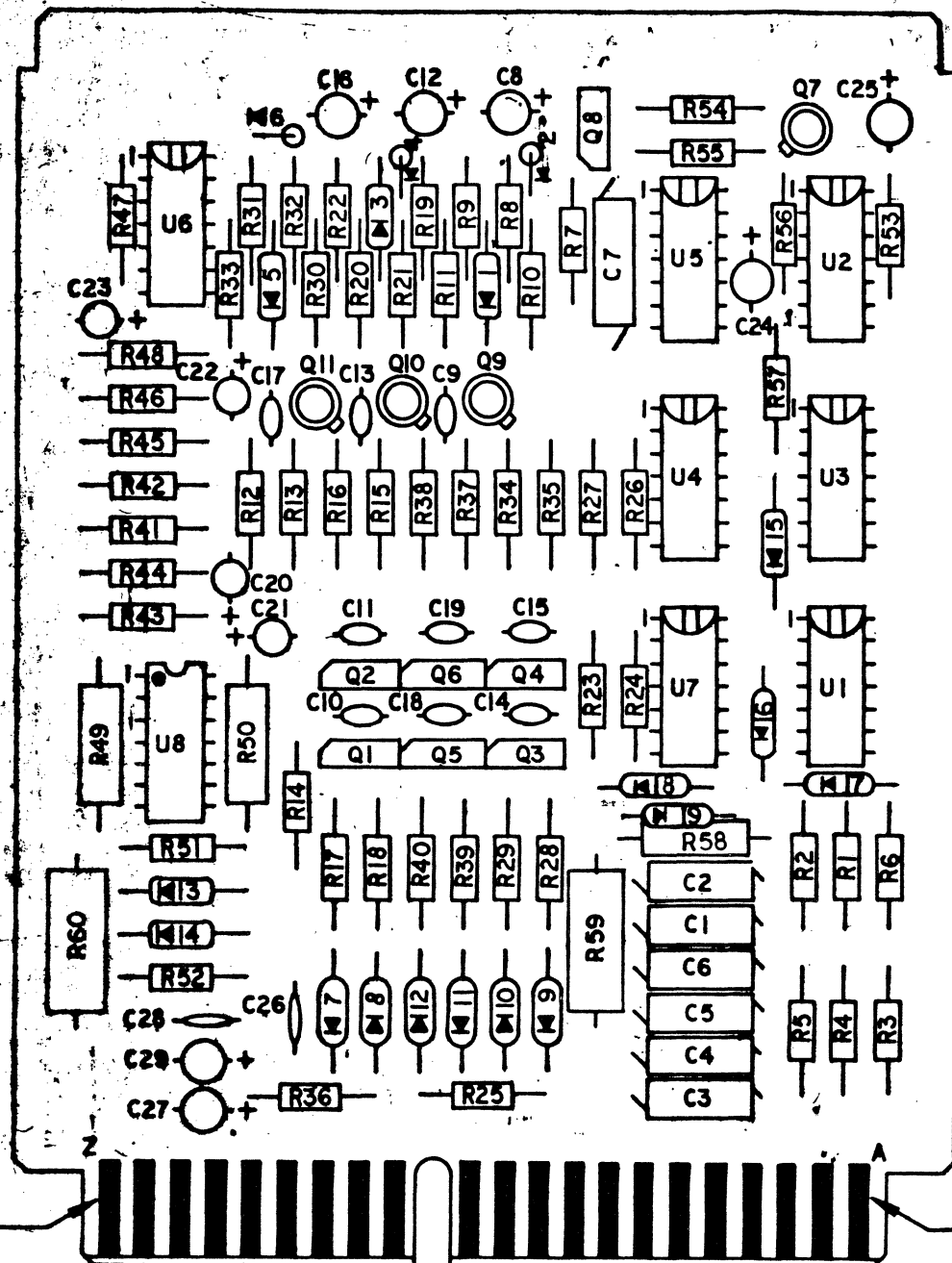
REDRAWN-R59 & RFO VALUE CHANGE @ C8 WAS 22UF, C9, 10, 11, 14, 15, 17, 18 & 19 WERE 0.0022UF.
 C27 & C9 WERE 16V. ADDED C30

REFERENCE DOCUMENTS	
BOARD-PLUG IN	998-0071989

998-0071990	
CLASS	M63 7 335-024332

M63-2-57D TRANSPORT-DIGITAL SCHEMATIC CONTROL ELECTRONICS	998-0071990 SHEET 1 OF 1 EMPLOYER: 998001870
--	--

FIELD PRINT



PURCHASE AS: TEAC CORP.
 PART NUMBER: 15531000-03
 REVISION LEVEL: A

998-0071989

CLASS	REQD	NEXT ASSEMBLY
M63	1	335-0024982

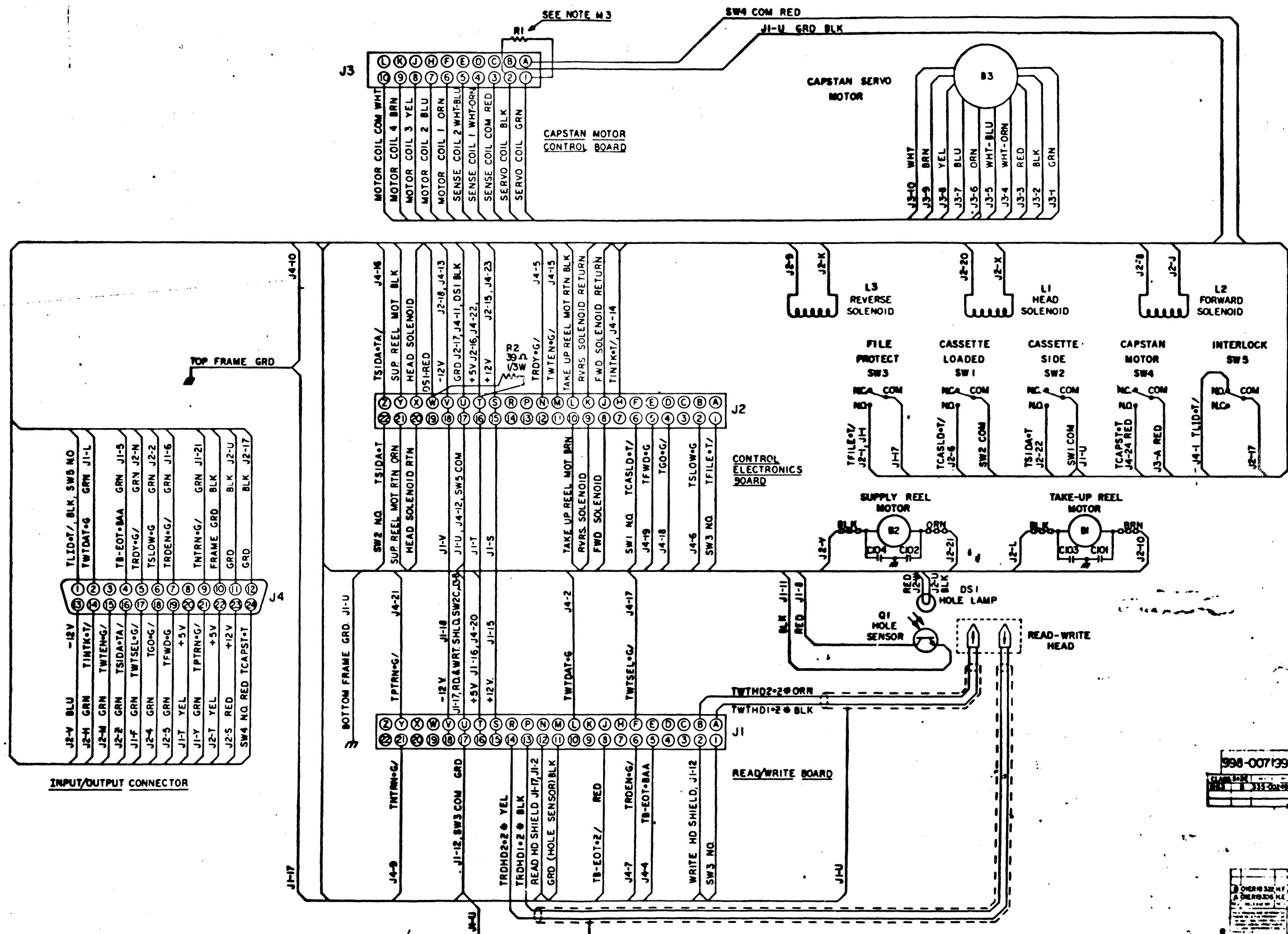
REFERENCE DOCUMENTS	
NAME	NUMBER
SCHEMATIC	998-0071990
PARTS LIST	998-0071991

A DIER 1930 HE 173			
REV	RELEASE NO.	DFTS	DATE

NOTES:
 SIMILAR PARTS: _____
 CHANGES: (A) REDRAWN - R59 & R60 VALUE CHANGE

STD QUALITY SEE SP400415		NCR THE NATIONAL CASH REGISTER CO DAYTON, OHIO	
CLASS: M63-2-STD	UNIT: TRANSPORT-DIGITAL	NAME: BOARD-PLUGIN (CONTROL ELECTRONICS)	
START: 3.73 FINISH: 3.73	DESIGNER: TEAC CORP	APPD: <i>PLW</i>	SHEET 1 OF 1
DFTS: P-RF CHKR: <i>PLW</i>	SUPSD BY: 998-0071960	SCALE: 2:1	998-0071989
UNLESS OTHERWISE SPECIFIED, DIMENSIONS ARE IN INCHES AND DECIMALS THEREOF.	SUPERSERIES: 998-0071969	CODE: 2-9045	

FIELD PRINT



3 R1 USES THE FOLLOWING SELECTED RESISTORS 1K, 1.2K, 820 OHM, OR 910 OHM, ALL 1/4 W, 5%
 2. SEE DRAW # 998-0071808 FOR PARTS.
 1. CONNECTORS J1, J2, J3, J4 ARE SHOWN VIEWING WIRING SIDE.

998-0071395

REPAIR-ADDED R2 REMOVED R1 FROM R1 AND ADDED NOTE 3

998-0071989

TEAC CORP. (DATA CONTROL ELECTRONICS)

FIELD PRN

998-0071989