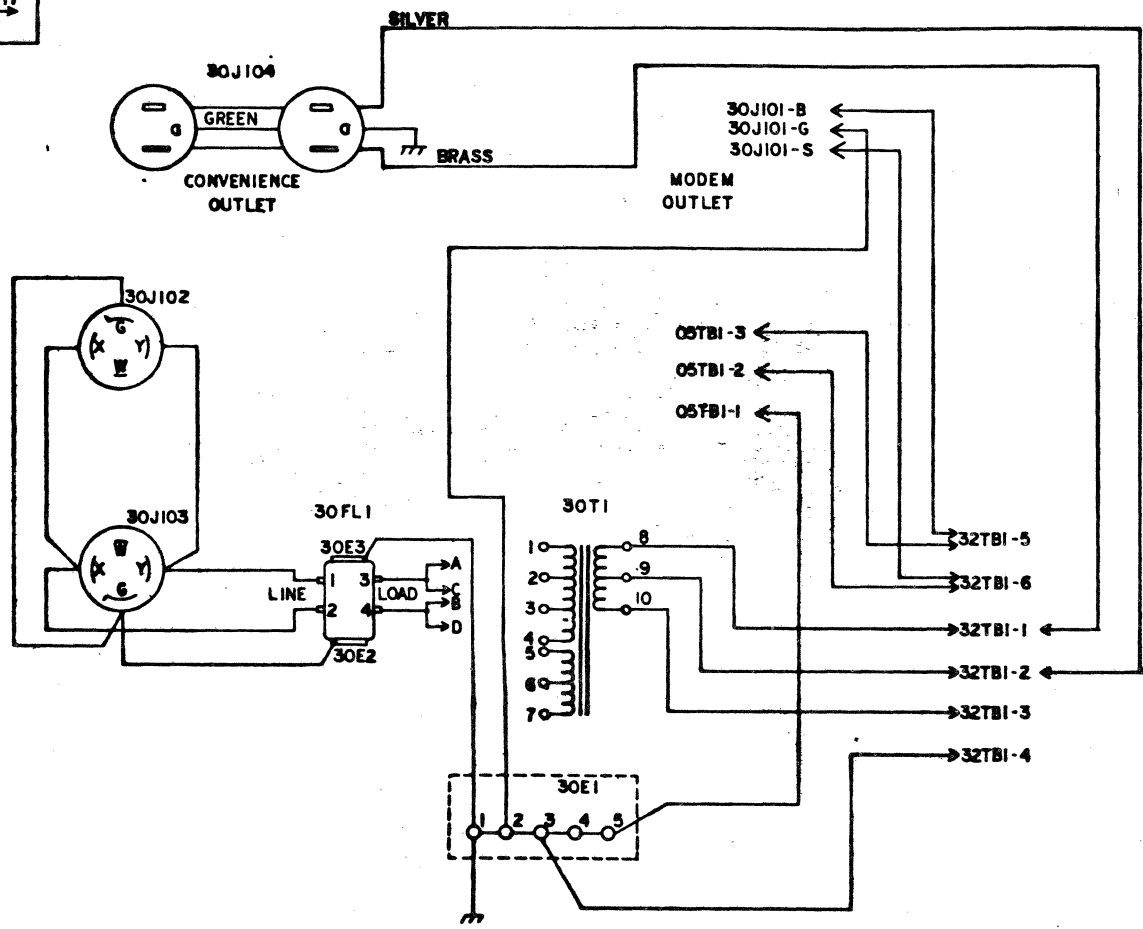






ITEM	REQD.	DWG. NO.	NAME	SIZE	ITEM	REQD.	DWG. NO.	NAME	SIZE	ITEM	REQD.	DWG. NO.	NAME	SIZE

REQD.	SIZE	NEXT ASSEMBLY
1	B	395-0060027



30T1 TRANSFORMER CONNECTIONS

	A	B	C	D	JUMPER
85-105	4	3	7	6	
180-210	7	2	NC	NC	4 TO 6
200-240	7	2	NC	NC	4 TO 5
220-260	7	1	NC	NC	4 TO 5

CLASS	MODEL	EFFECTIVITY
395-0031185		

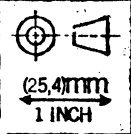
NOTES:  
SIMILAR PARTS: — — —

CHANGES:

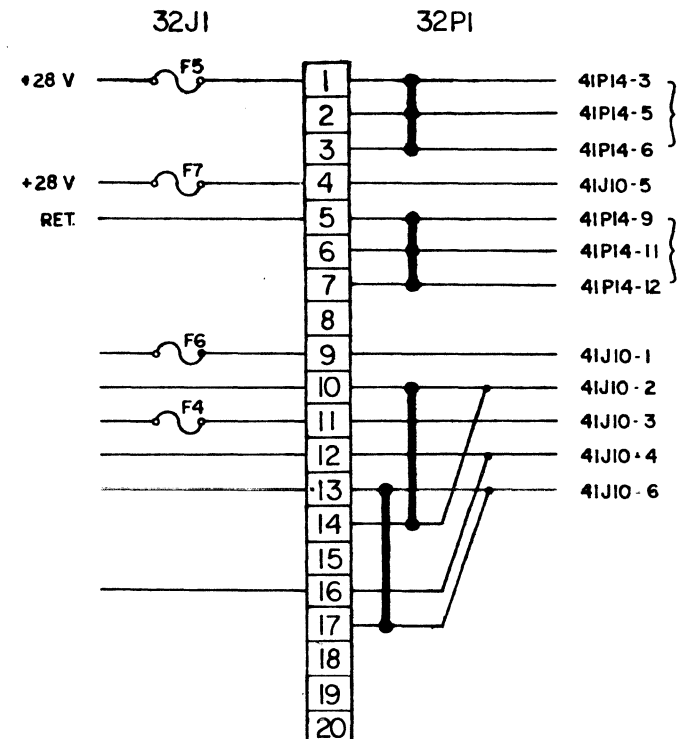
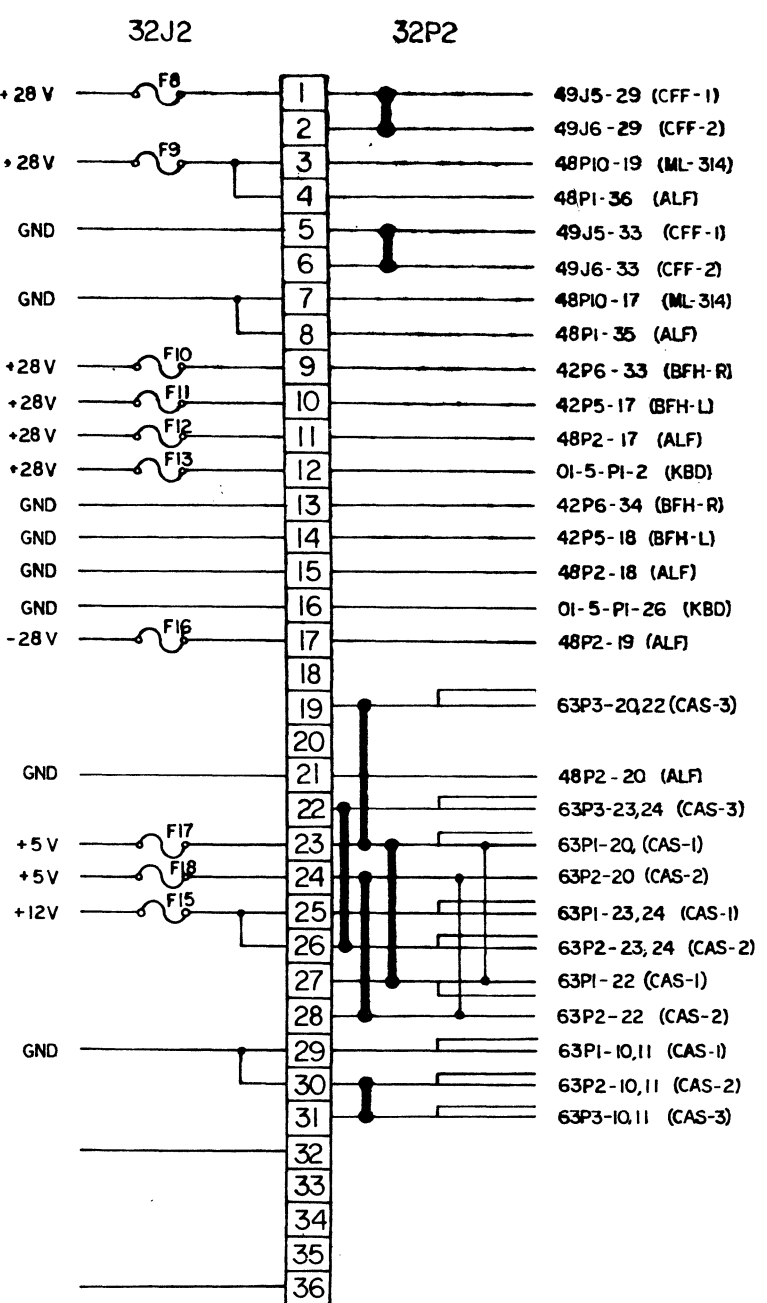
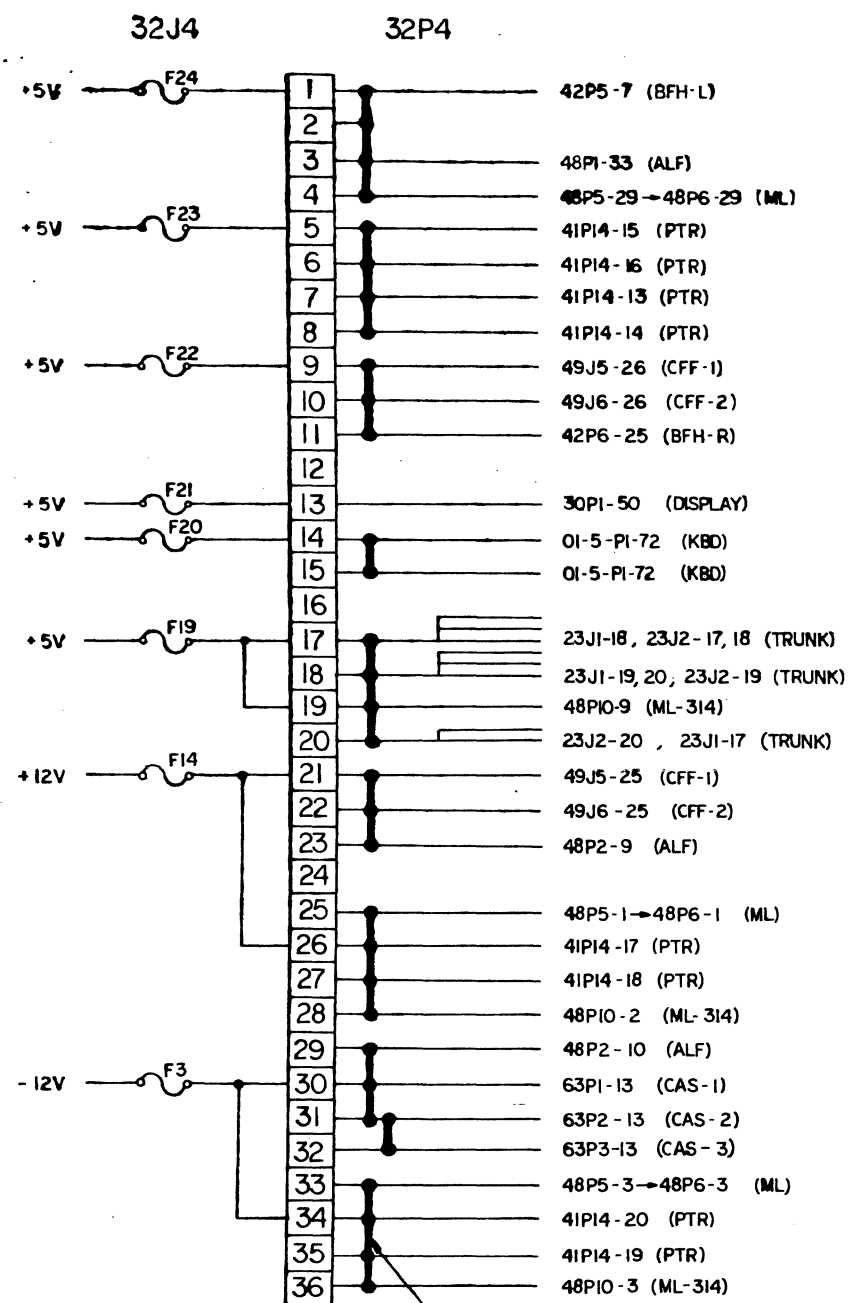
F 146R00538	6-74		
E 146R04030	JF 5-73		
D 01ER34017	DWA 10-72		
C 01ER34226	SJF 9-72		
REV.	RELEASE NO.	DFTS	DATE

STD. QUALITY SEE SP004 15		CLASS: M30-1-399		UNIT: PACKAGE UNIT	
START: 9 21 72		FINISH: 9 21 72		NAME: SCHEMATIC-AC POWER DIST	
DESIGNER: D. DOUD		APPRD: D. DOUD		(INTERNATIONAL)	
SHEET 2 OF 2		SCALE: ~		395-0031185	
SUPERSEDES:		CODE: 29550			

FIELD PRINT



ITEM	REQD.	DWG. NO.	NAME	SIZE	ITEM	REQD.	DWG. NO.	NAME	SIZE	ITEM	REQD.	DWG. NO.	NAME	SIZE	REV.	DATE	BY	CHKD.	DATE	
															1	8				



DENOTES COMMONING BARS

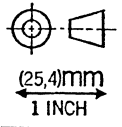
NOTES:  
 SIMILAR PARTS  
 CHANGES (A) REVISED FOR 3RD CASSETTE

A 46E00531 WP 4-74  
 REV. RELEASE NO. DFTS. DATE

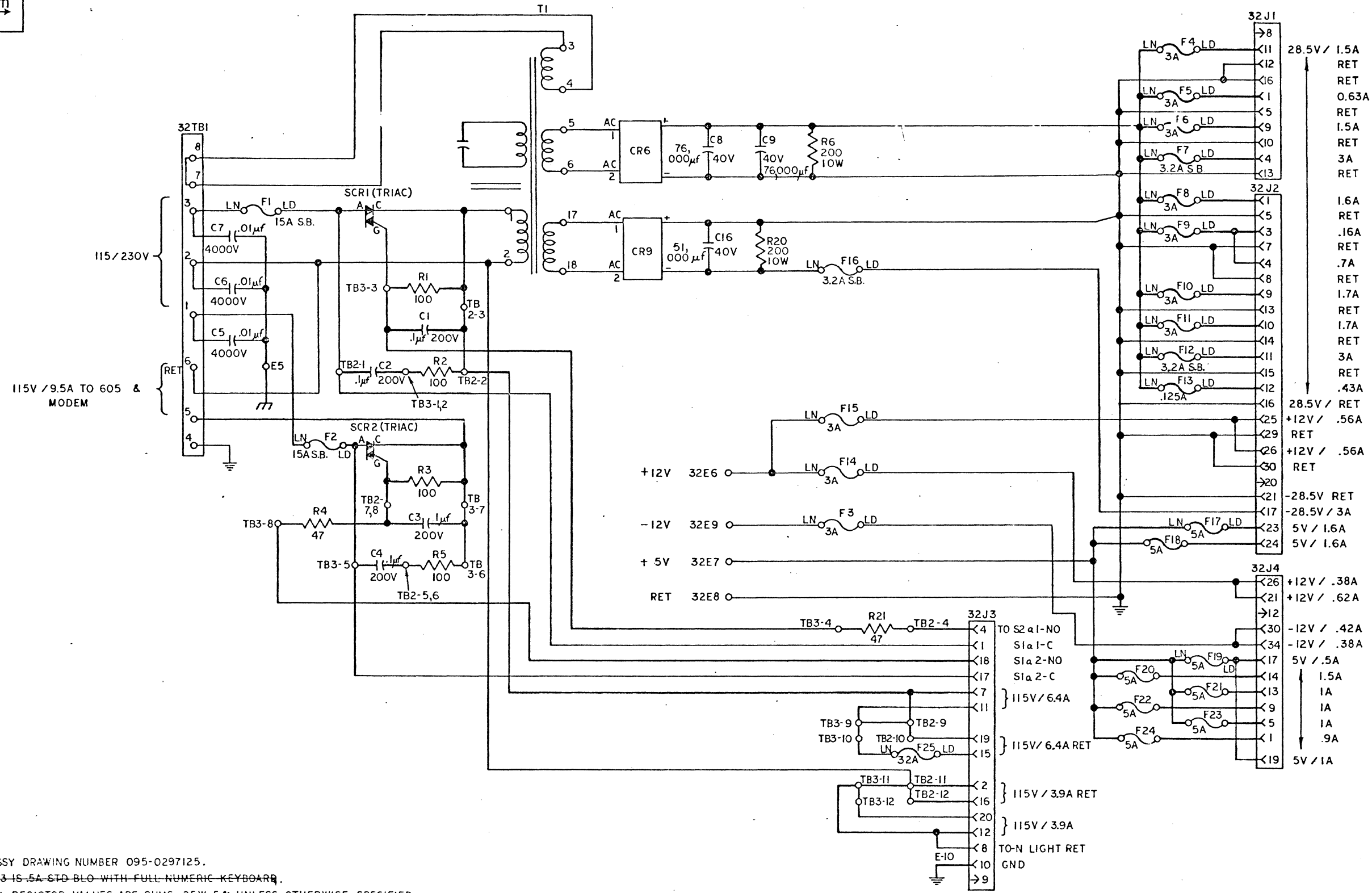
R-1-399

CLASS: <b>M30-1-399</b> FINISH: <b>3073</b> DFTS: <b>GLH</b> CHK:		UNIT: <b>POWER SUPPLY</b> NAME: <b>SCHEMATIC-DC PWR DIST.</b>	
DESIGNER: <b>D.WHITHOUSE</b> APPD:		SHEET: <b>1</b> OF <b>1</b> SCALE:	
SUPSD. BY:		395-0031800 FIELD PRINT	
MATERIAL: COATING: BRAZE: HEAT TREAT: HARDNESS:		UNLESS OTHERWISE SPECIFIED, DIMEN. SIGNAL LIMITS ARE: INCH NOMINAL XX ± .02 XXX ± .005	
STD. QUALITY SEE SP4004.15 CLASS: <b>M30-1-399</b>		THE NATIONAL CASH REGISTER CO. DAYTON, OHIO	
SUPSEDES: <b>095-0291140</b>		CODE:	





ITEM	REQD.	DWG. NO.	NAME	SIZE	ITEM	REQD.	DWG. NO.	NAME	SIZE	ITEM	REQD.	DWG. NO.	NAME	SIZE	REQD.	SIZE	NEXT ASSEMBLY



- 28.5V / 1.5A RET
- RET
- 0.63A RET
- 1.5A RET
- 3A RET
- 1.6A RET
- .16A RET
- .7A RET
- 1.7A RET
- 1.7A RET
- 3A RET
- .43A RET
- 28.5V / RET
- +12V / .56A RET
- +12V / .56A RET
- 28.5V RET
- 28.5V / 3A
- 5V / 1.6A
- 5V / 1.6A
- +12V / .38A
- +12V / .62A
- 12V / .42A
- 12V / .38A
- 5V / .5A
- 1.5A
- 1A
- 1A
- 1A
- .9A
- 5V / 1A

CLASS	MODEL	EFFECTIVITY

095-0297127

3. ASSY DRAWING NUMBER 095-0297125.  
 2. F13 IS .5A STD BLO WITH FULL NUMERIC KEYBOARD.  
 NOTES: 1. ALL RESISTOR VALUES ARE OHMS, 25W, 5% UNLESS OTHERWISE SPECIFIED.

CHANGES: (A) REMOVED ±12V CIRCUITS (B) F25 WAS 4A, REMOVED NOTE 2 (C) REMOVED LINE SHOWN FROM 32TB1-6 TO E5 (D) CHANGED R6 WAS 250 OHM, 5 WATT; CHANGED R20 WAS 220 OHM, 2 WATT.

D	44ER0042	DA 19-74
C	46ER04083	MP 10-73
B	1ER35411	DA 2-73
A	1ER342360A	1 73
REV	RELEASE NO	DATE

STD. QUALITY SEE SPEC 415	CLASS: M32-1-399	NCR THE NATIONAL CASH REGISTER CO. DAYTON, OHIO
START 1-73	FINISH 1-73	POWER SUPPLY
DESIGNER J. FECHER	NAME SCHEMATIC POWER SUPPLY	
APPD	APPD	SHEET 1 OF 1
S. PSD BY	SCALE	095-0297127
SUPERSEDES 095-001070	CODE	FIELD PRINT