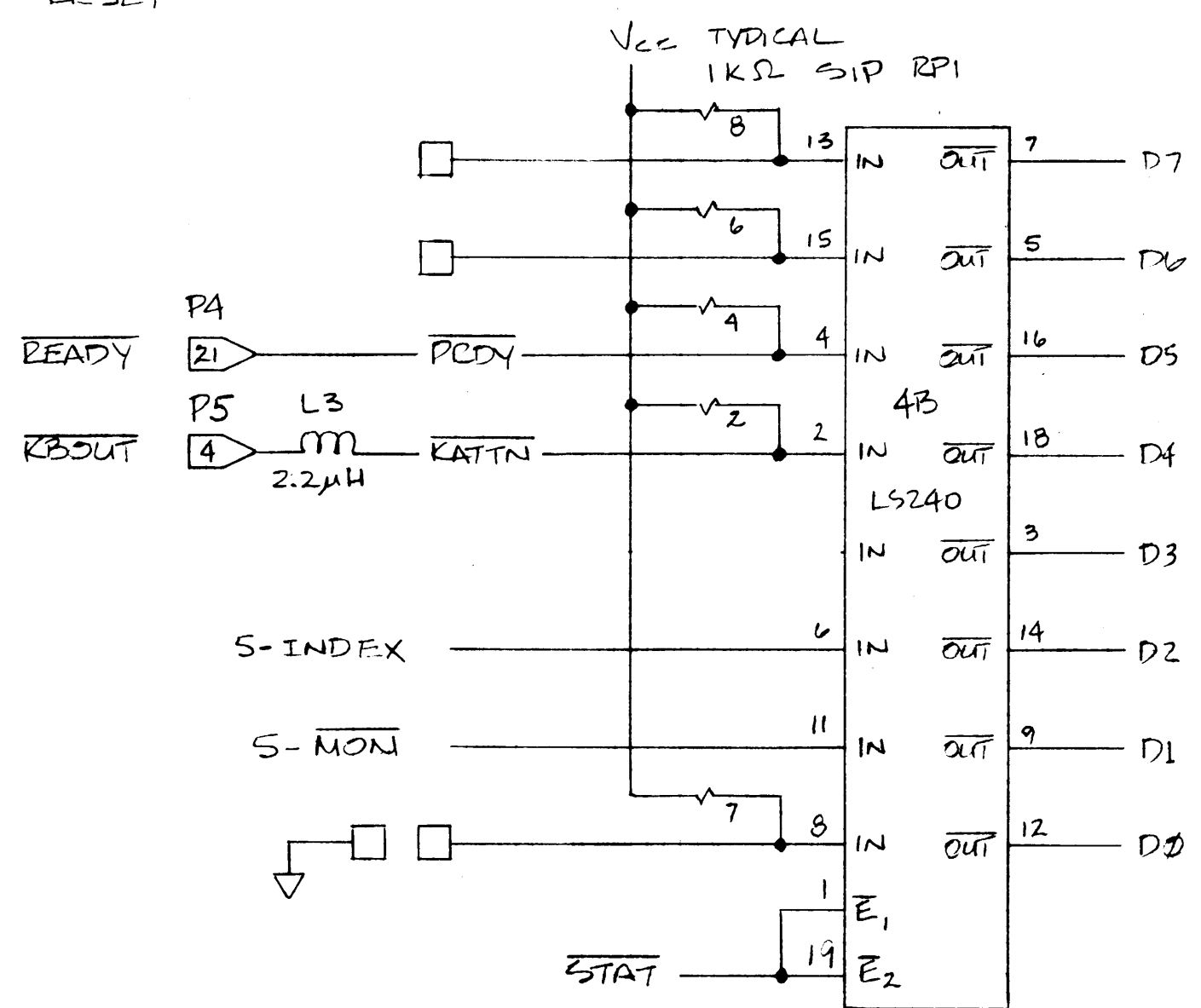
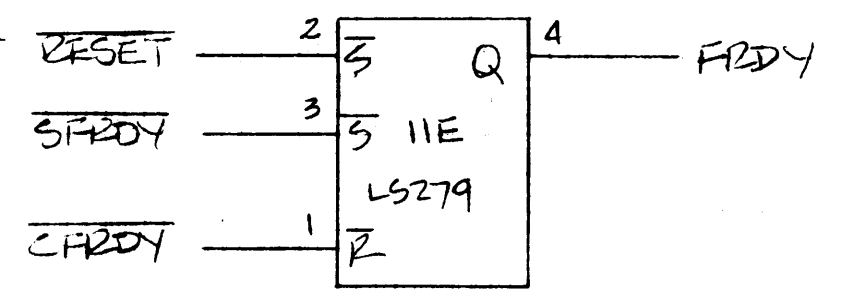
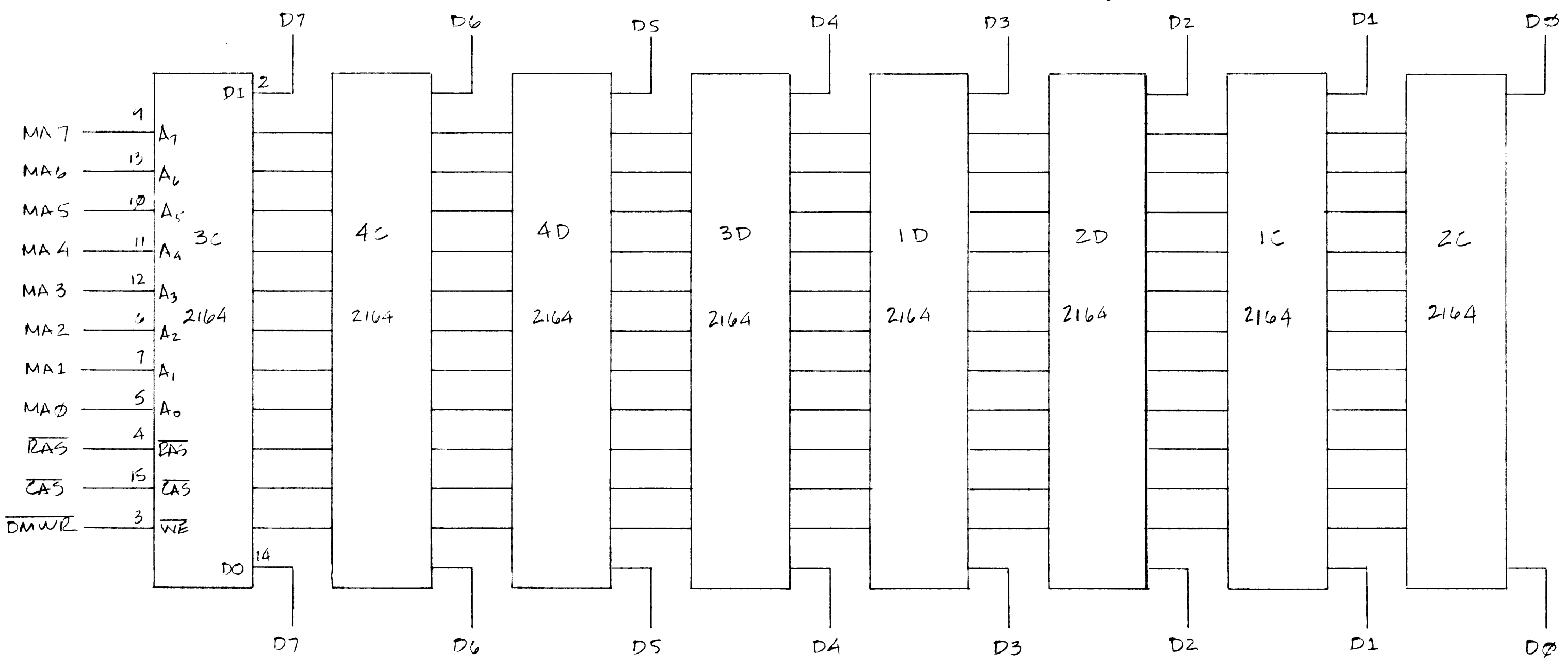
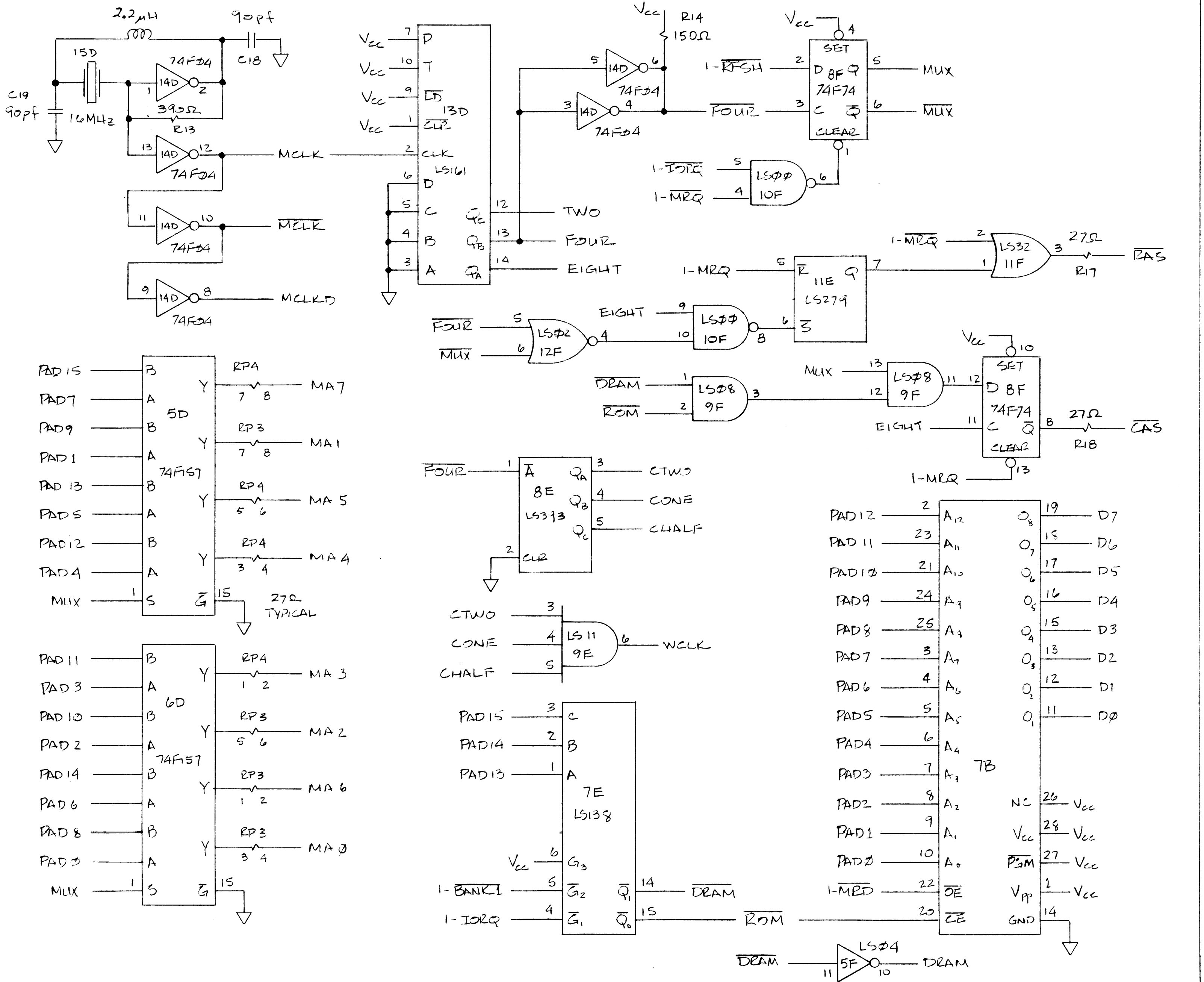


NOTE:
EVEN PINS 2 THROUGH 24 AND PIN 34 ARE GROUNDED ON P4
ALL OTHER UNLABELED PINS ARE TO BE LEFT OPEN ON P4

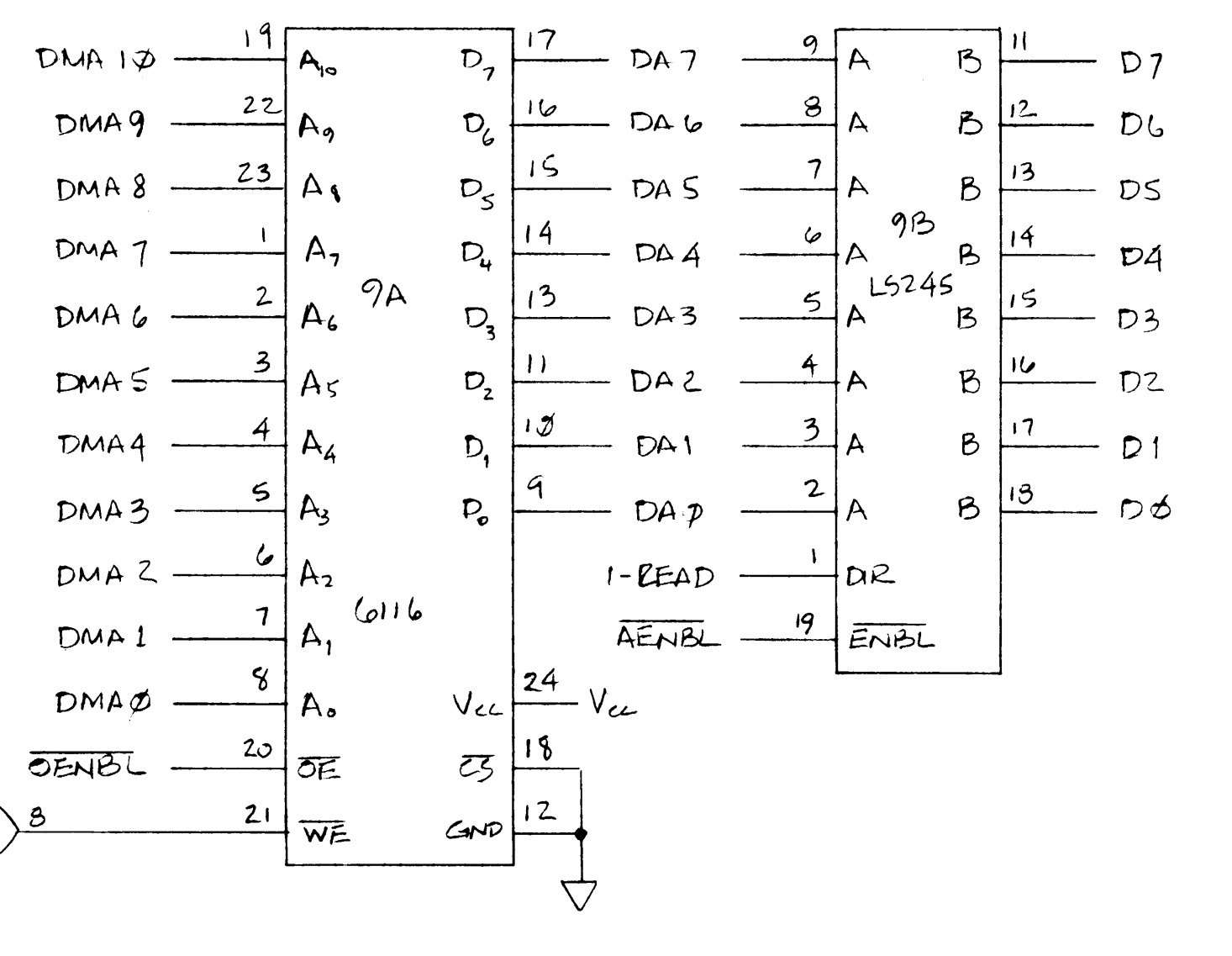
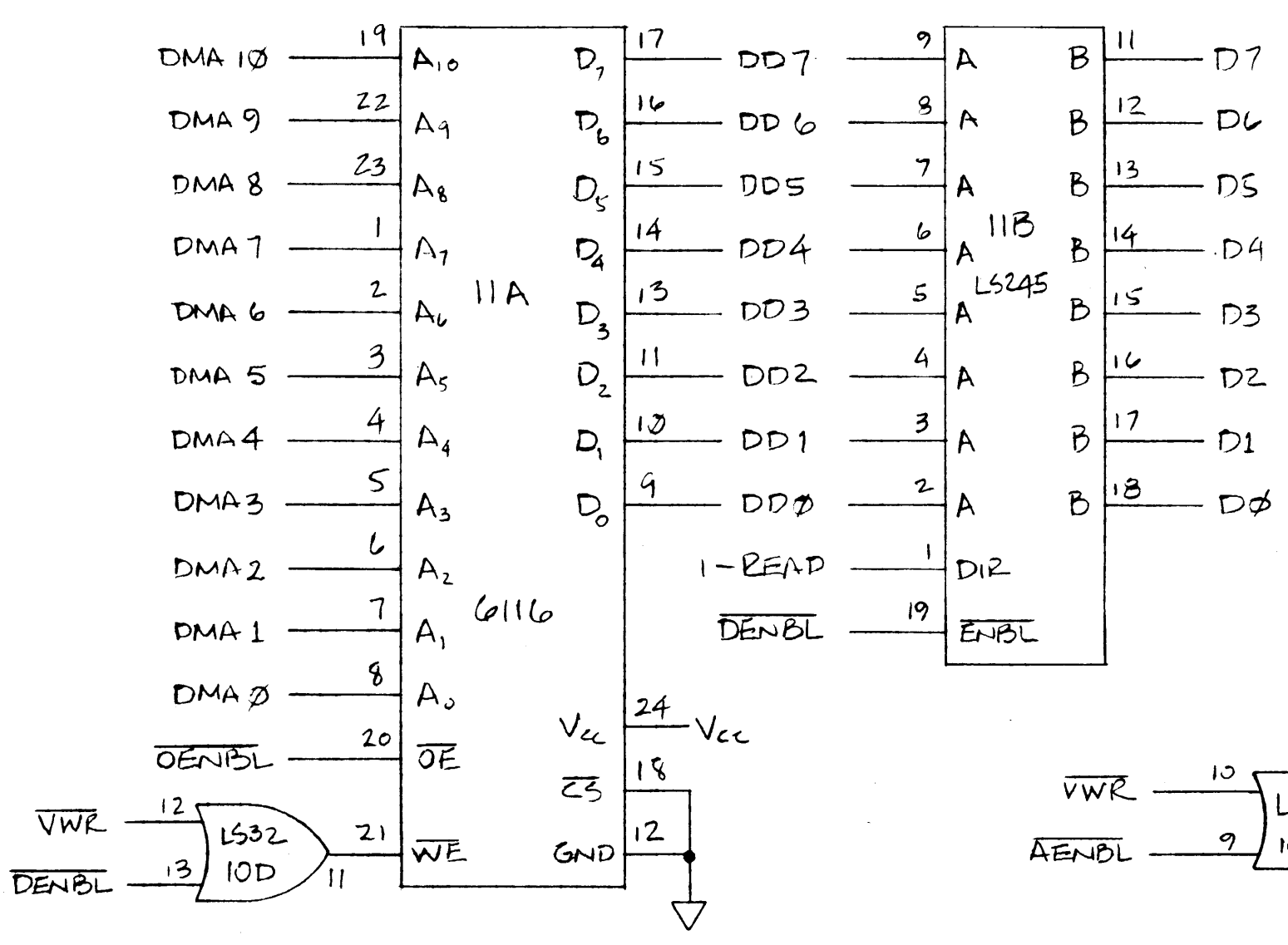
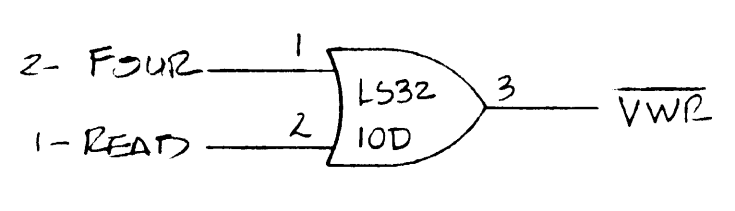
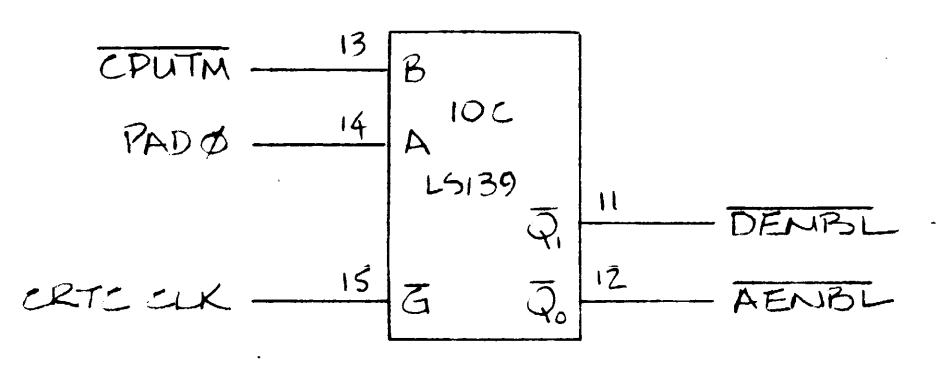
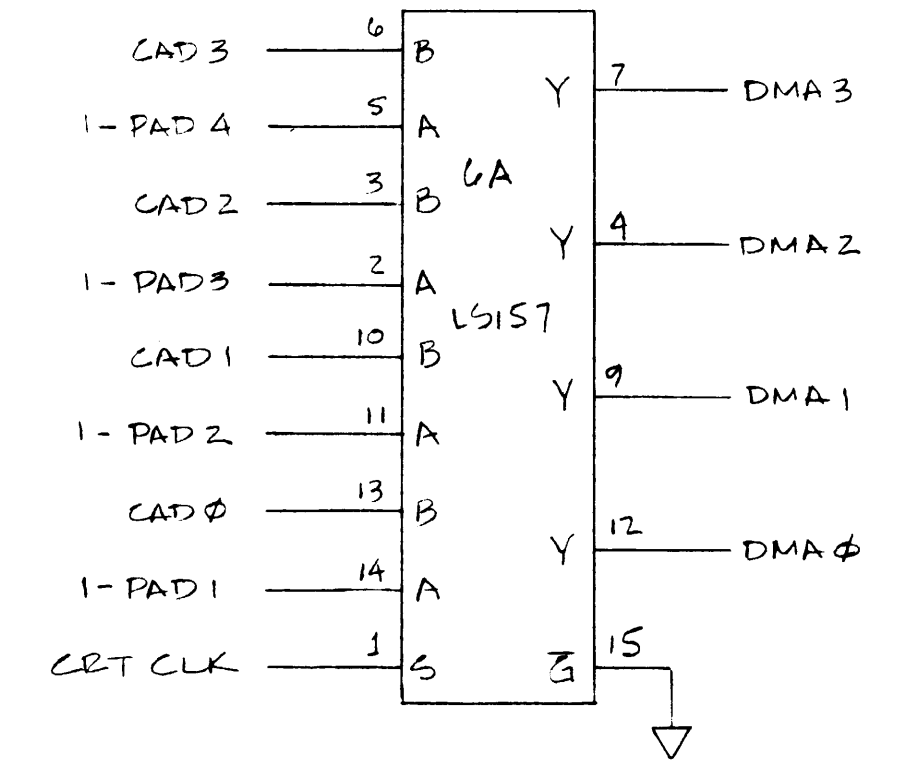
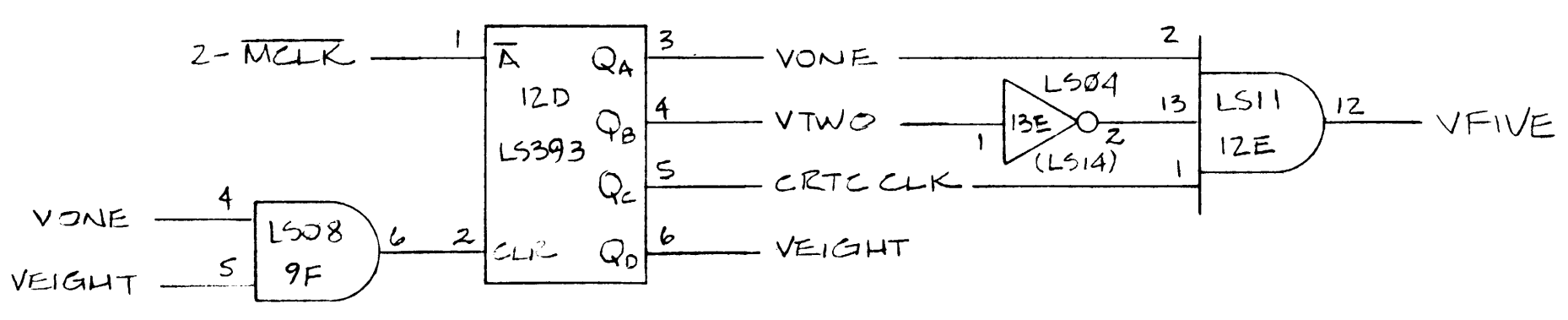
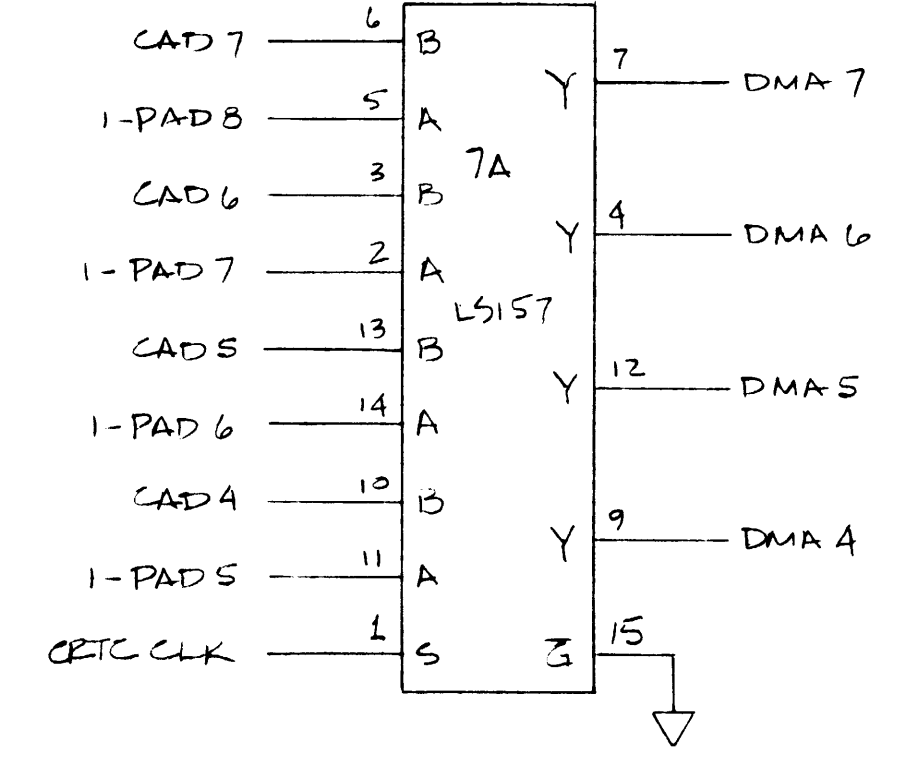
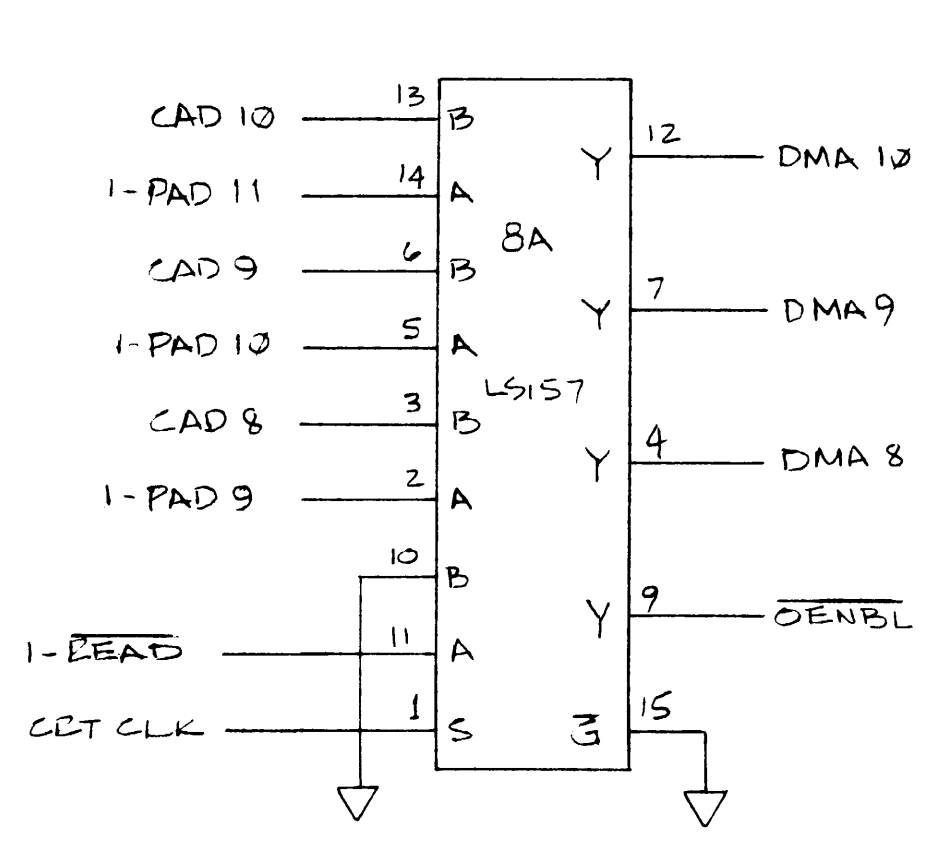
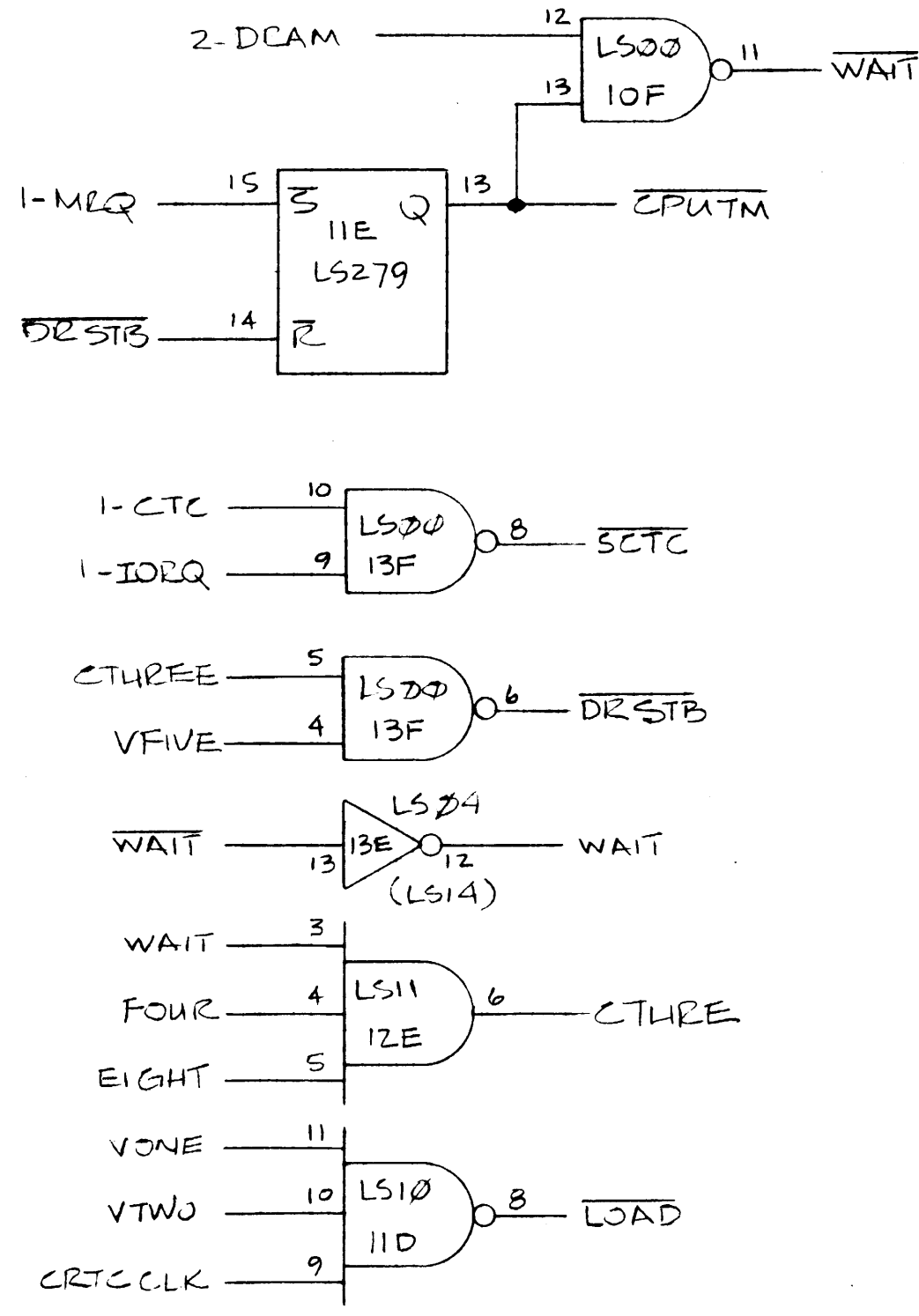
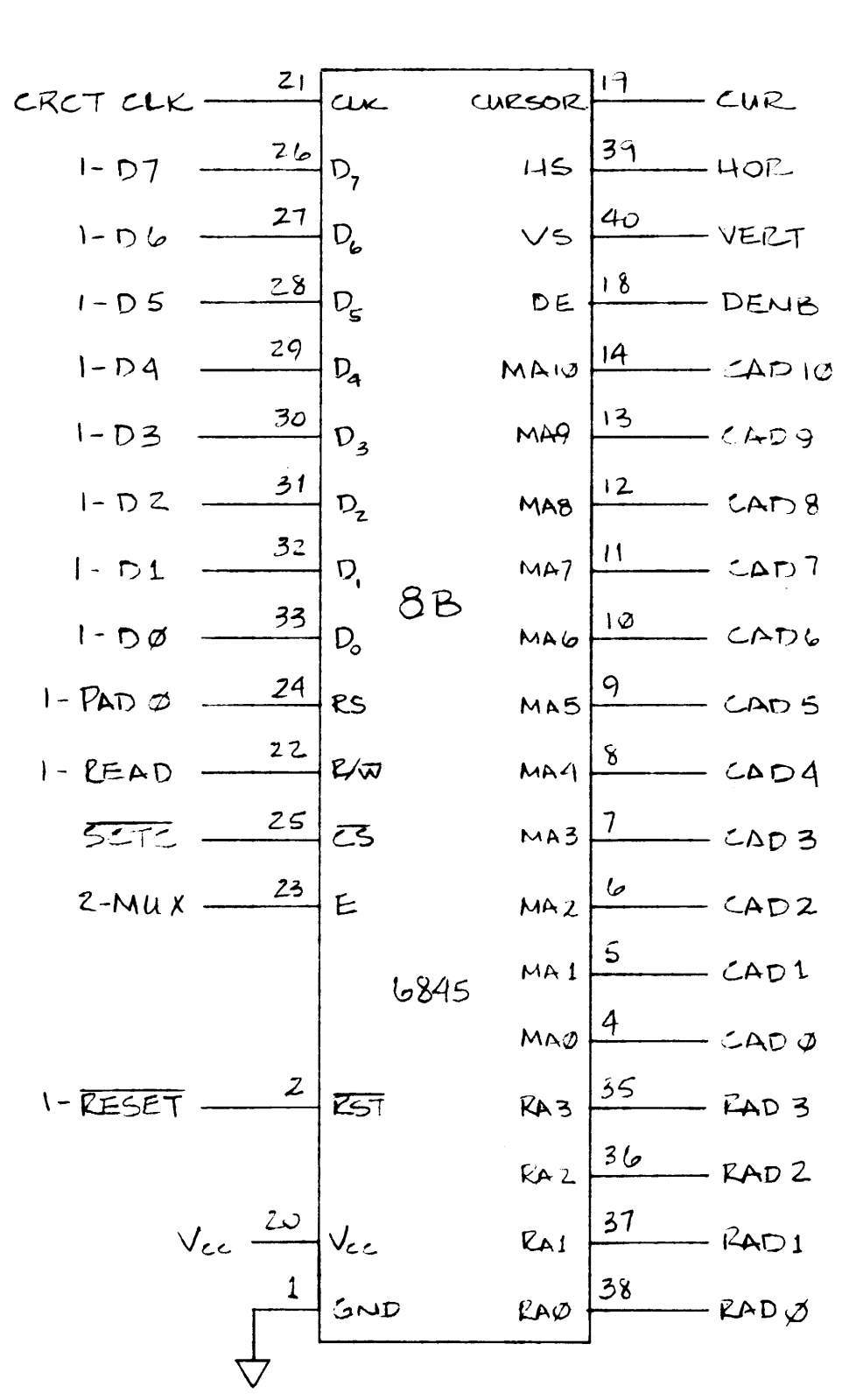


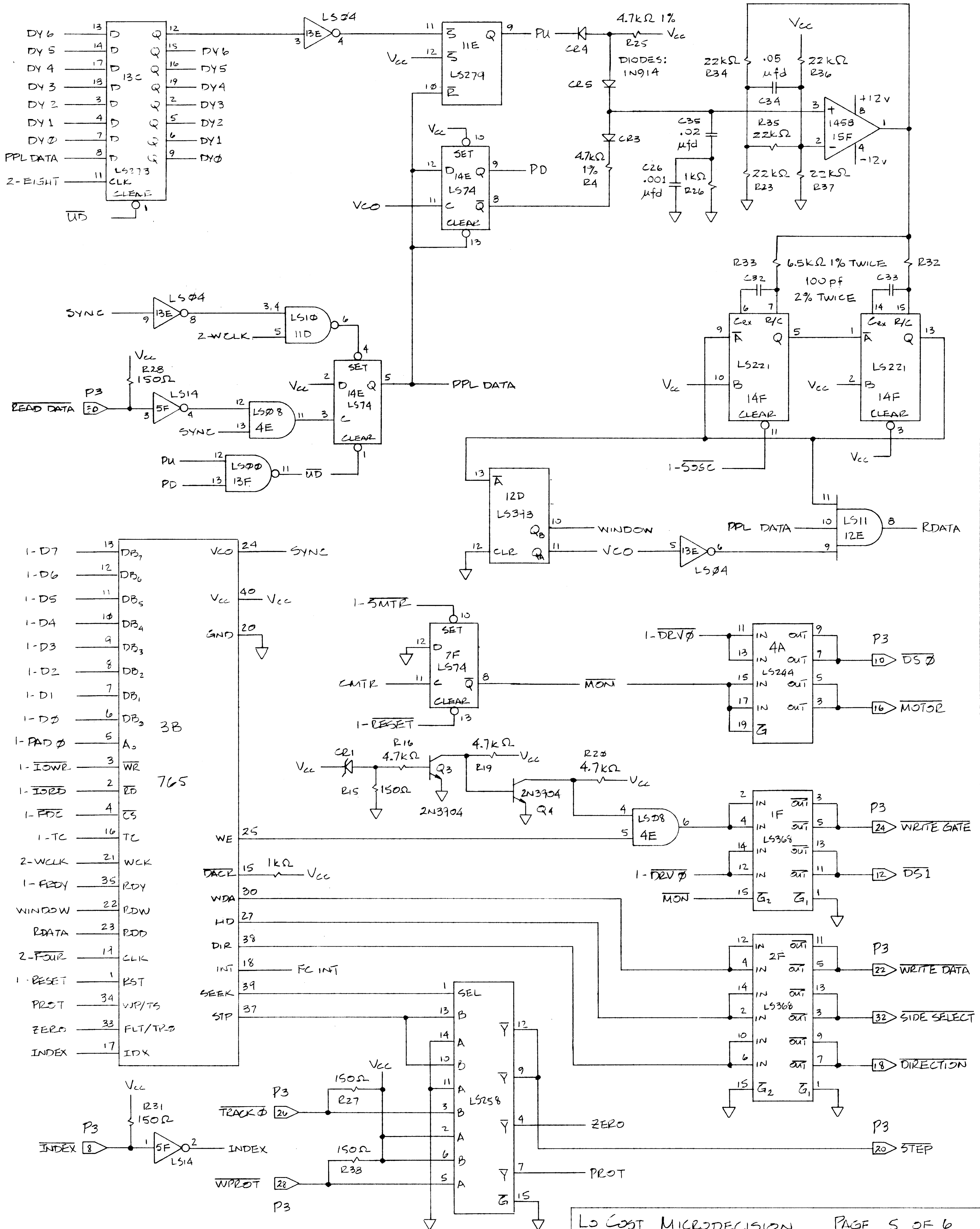
REV 3/3/84



1-READ \overline{DMWR} 27Ω

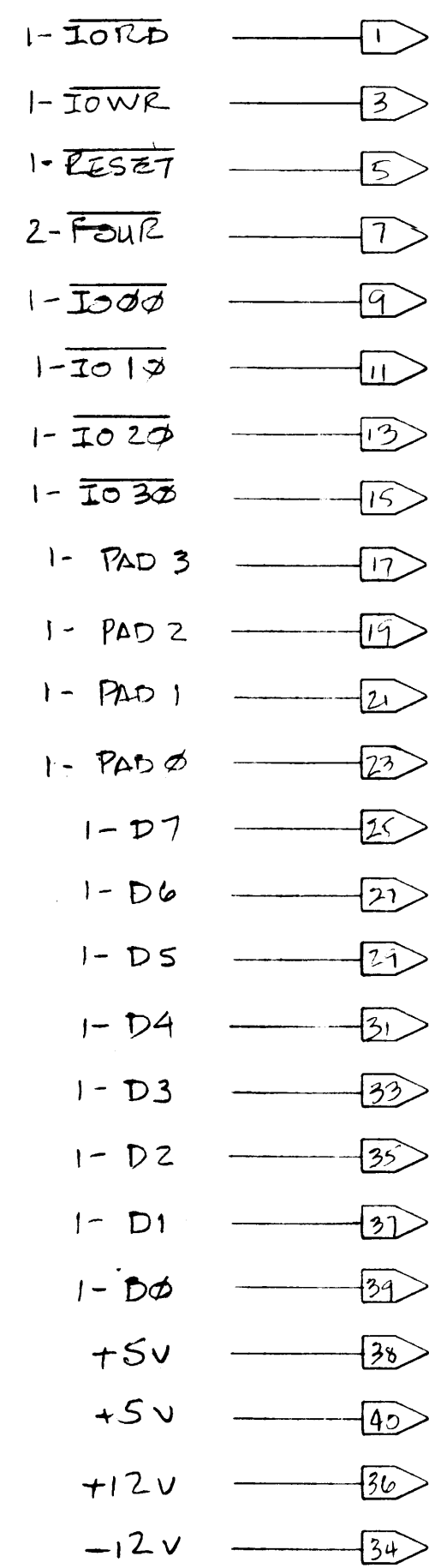
REV 3/3/84





REV 3/1/84

P16



EVEN PINS 2 THROUGH 32
ARE GROUNDED

REV 3/3/84