

651 Flexible Disc File Illustrated Parts Catalog

2844.002-01

MEMOREX

**Disc Storage
Products**

First Revision - October, 1973

**Memorex Corporation
Santa Clara, California 95052**

The information in this publication is subject to periodic revisions, and to updates by Publications Bulletins.

Requests for copies of Memorex publications should be made to your Memorex representative or to the Memorex branch office serving your locality.

A readers' comments form is provided at the back of this publication. If the form has been removed, comments may be addressed to the Memorex Corporation, Publications Dept., Santa Clara, California 95052.

©1973, MEMOREX CORPORATION

**MEMOREX MODEL 651 FLEXIBLE DISC FILE
ILLUSTRATED PARTS CATALOG**

TABLE OF CONTENTS

<u>FIGURE</u>		<u>PAGE</u>
	HOW TO USE THE ILLUSTRATED PARTS CATALOG	1
1	FLEXIBLE DISC FILE BASIC ASM	4
2	CARTRIDGE GUIDE ASM	8
3	HARNESS ASM	11
4	651 ACCESSORIES	13
	NUMERICAL INDEX	18

HOW TO USE THE ILLUSTRATED PARTS CATALOG

GENERAL

Illustrations will always precede their parts lists and when possible, be on the opposite page; the exception would be on multi-page illustrations and parts lists. Blank pages will be numbered on the printed side only.

The first number in each list, refers to the figure to which the list pertains (see Arrow 1). The index numbers (see Arrow 2, i.e. Part 5) which follow refer to each part in the figure. On subsequent pages of the same list, the first line repeats the figure number with the next item in the list (Arrow 3).

FIGURE & INDEX NUMBER	PART NUMBER	1	2	3	4	DESCRIPTION
1 →	2-	201544				COVER ASM, CONTROL, MEMOREX LT GRAY (SEE FIG. 1-1 FOR NHA)
	-1	200344				. BEZEL, CONTROL COVER
	-2*	110918				. SCREW, PAN HD, SELF TAPPING, 4-40 x .250
	-3	201541				. PANEL, CONTROL, MEMOREX BLACK
	-4	200539				. INSERT, TOP COVER ENCLOSURES

FIGURE & INDEX NUMBER	PART NUMBER	1	2	3	4	DESCRIPTION
3 →	2-27	301166				. . . PC BOARD ASM, ROM MOD 4
	-28	301905				. . . PC BOARD ASM, ROM MOD 3
	-29	301164				. . . PC BOARD ASM, ROM MOD 2
	-30	301163				. . . PC BOARD ASM, ROM MOD 1
		301900				. ROM MOD BASIC 0 SEEK ASM
	-31	301183				. . . PC BOARD ASM, ROM DATA REG

The figure numbers and assemblies follow a logical sequence of breakdown. If the assembly is further detailed elsewhere in this catalog, it is referenced by figure number (Arrow 4).

FIGURE & INDEX NUMBER	PART NUMBER	1	2	3	4	DESCRIPTION	REFERENCE DESIGNATOR	QTY PER ASSY	USABLE ON CODE
4-73	201175					. CLIP, RETAINER		1	
-74*	110085					. SCREW, BH, 6-32 x .750		1	
-75	110841					. NUT, HEX, KEPS, 6-32		1	
-76	201058					. CABLE ASM, SERVO/ACTUATOR CONTROL (SEE FIG. 16 FOR BREAKDOWN)		1	5

Subsequent detailed figures refer back to the next higher overall view or next higher assembly (NHA) (Arrow 5). Assemblies not detailed can be purchased only as complete assemblies.

FIGURE & INDEX NUMBER	PART NUMBER	1	2	3	4	DESCRIPTION	REFERENCE DESIGNATOR	QTY PER ASSY	USABLE ON CODE
2-	201544					COVER ASM, CONTROL, MEMOREX LT GRAY (SEE FIG. 1-1 FOR NHA)		REF	
-1	200344					. BEZEL, CONTROL COVER		1	
-2*	110918					. SCREW, PAN HD, SELF TAPPING, 4-40 x .250		12	
-3	201541					. PANEL, CONTROL, MEMOREX BLACK		1	

LEVEL OF ASSEMBLY

The indented parts list indicates the subordination of major assemblies, subassemblies, detail parts, and attaching hardware. The top assembly (figure number) in each parts list is level 1 (Arrow 6). Descriptions preceded by a single dot (.) (Arrow 7) are second level assemblies or details which are subordinate to those not preceded by a dot. Descriptions for levels 3 and 4, or are preceded by two or more dots - ". . .", are subordinate to level 2, or those preceded by one dot (Arrow 8).

FIGURE & INDEX NUMBER	PART NUMBER	DESCRIPTION				REFERENCE DESIGNATOR	QTY PER ASSY	USABLE ON CODE
		1	2	3	4			
1-	NO NO.	6	0	0	DISC DRIVE			
	201512	.	.	.	COLOR GROUP ASM, MEMOREX ORANGE 660		1	A
	201513	.	.	.	COLOR GROUP ASM, MEMOREX RED 660		1	B
	201514	.	.	.	COLOR GROUP ASM, MEMOREX BLUE 660		1	C
	201515	.	.	.	COLOR GROUP ASM, MEMOREX YELLOW 660		1	D
	201516	.	.	.	COLOR GROUP ASM, MEMOREX GRAY 660		1	E
	203276	.	.	.	COLOR GROUP ASM, WHITE		1	F
-1	201544	.	.	.	COVER ASM, CONTROL, MEMOREX LT. GRAY (SEE FIG. 2 FOR BREAKDOWN)		1	
-2	201547	.	.	.	PACK ENCLOSURE ASM, 660 LT. GRAY (SEE FIG. 3 FOR BREAKDOWN)			
	200995	.	.	.	COVER ASM, FRONT, ORANGE		1	A
	200995	.	.	.	COVER ASM, FRONT, RED		1	B
	200909	.	.	.	COVER ASM, FRONT, BLUE		1	C
	200982	.	.	.	COVER ASM, FRONT, YELLOW		1	D
	201539	.	.	.	COVER ASM, FRONT, LT. GRAY		1	E
	203275	.	.	.	COVER ASM, FRONT, WHITE		1	F

ATTACHING PARTS

Attaching parts will immediately follow the item they attach and will be identified by an asterisk after the index number (Arrow 9).

-11	200690	.	.	.	PLATE, STRIKER-MAGNETIC CATCH		2	
-12*	110095	.	.	.	SCREW, FH, 6-32 x .375		2	
-13*	110841	.	.	.	NUT, HEX, KEPS, 6-32		2	

USABLE ON CODE

Usable On Code identifies all related parts (Arrow 10). The code relationships are explained at the beginning of each list (Arrow 11). If there is no code identified, the specific part is interchangeable with all codes.

FIGURE & INDEX NUMBER	PART NUMBER	DESCRIPTION				REFERENCE DESIGNATOR	QTY PER ASSY	USABLE ON CODE
		1	2	3	4			
5-					CODE A USED ON 201001 ONLY. CODE B USED ON 201026 ONLY.			
-	201001	.	.	.	DECK PLATE ASM, 60 HZ (SEE FIG. 4.46 FOR NHA)	REF		A
-	201026	.	.	.	DECK PLATE ASM, 50 HZ (SEE FIG. 4.46 FOR NHA)	REF		B


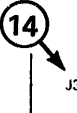
NUMERICAL INDEX

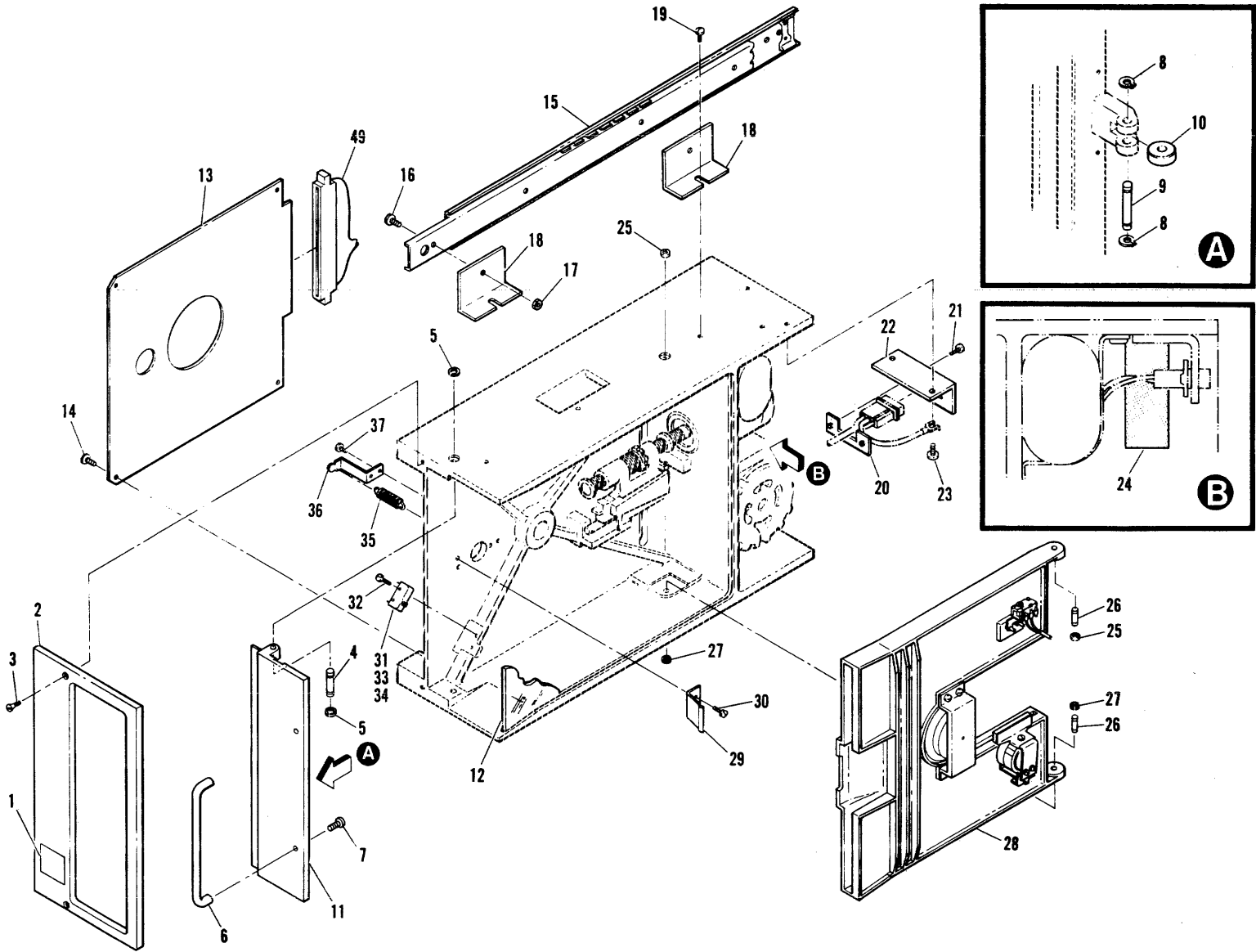
The numerical index beginning on page 18 of this catalog, lists all part numbers in numerical order. The part number is cross referenced to each figure and index number where the part can be found in the catalog. For example (Arrow 12): Part No. 200198 can be found on Figure 26, Index No. 78 and on Figure 29, Index No. 22.

PART NUMBER	FIGURE & INDEX NUMBER	PART NUMBER	FIGURE & INDEX NUMBER	PART NUMBER	FIGURE & INDEX NUMBER	PART NUMBER	FIGURE & INDEX NUMBER
154600	17-71	200198	26-78	200337	5-93	200532	1-30
157498	17-73		29-22	200339	7-REF	200533	29-REF
157499	26-129		26-80	200340	3-9	200534	1-30
158264	26-57		29-20	200341	3-7		29-REF
158277	8-4		6-6		3-10		1-30

REFERENCE DESIGNATORS

Reference designators listed after a component are for that specific component (Arrow 13). Reference designators listed after a harness assembly refer to specific component within the assembly (Arrow 14).

-12*	700559	SCREW, THREADFORMING, 6-32 x .38		12	
-13	700240	SOCKET, RELAY		6	
-14	301374	CIRCUIT BREAKER, 60 HZ		1	A
-15*	110079	SCREW, BH, 6-32 x .250		4	A
-16	301451	PLATE, ADAPTER, POWER SUPPLY CIRCUIT			
-27*	110840	NUT, HEX, KEPS, 4-40		4	
-28	700070	TAB, GROUND, EPO		2	
-29	301401	HARNESS ASM, 24 VAC, 60 HZ (SEE FIG. 10-4, 5, 15, 19, 29, 33, 48, 52 & 64 FOR DETAILS)			
-29	301426	HARNESS ASM, 24 VAC, 50 HZ		1	A,1



4

FIGURE 1 FLEXIBLE DISC FILE BASIC ASM (SHEET 1 OF 2)

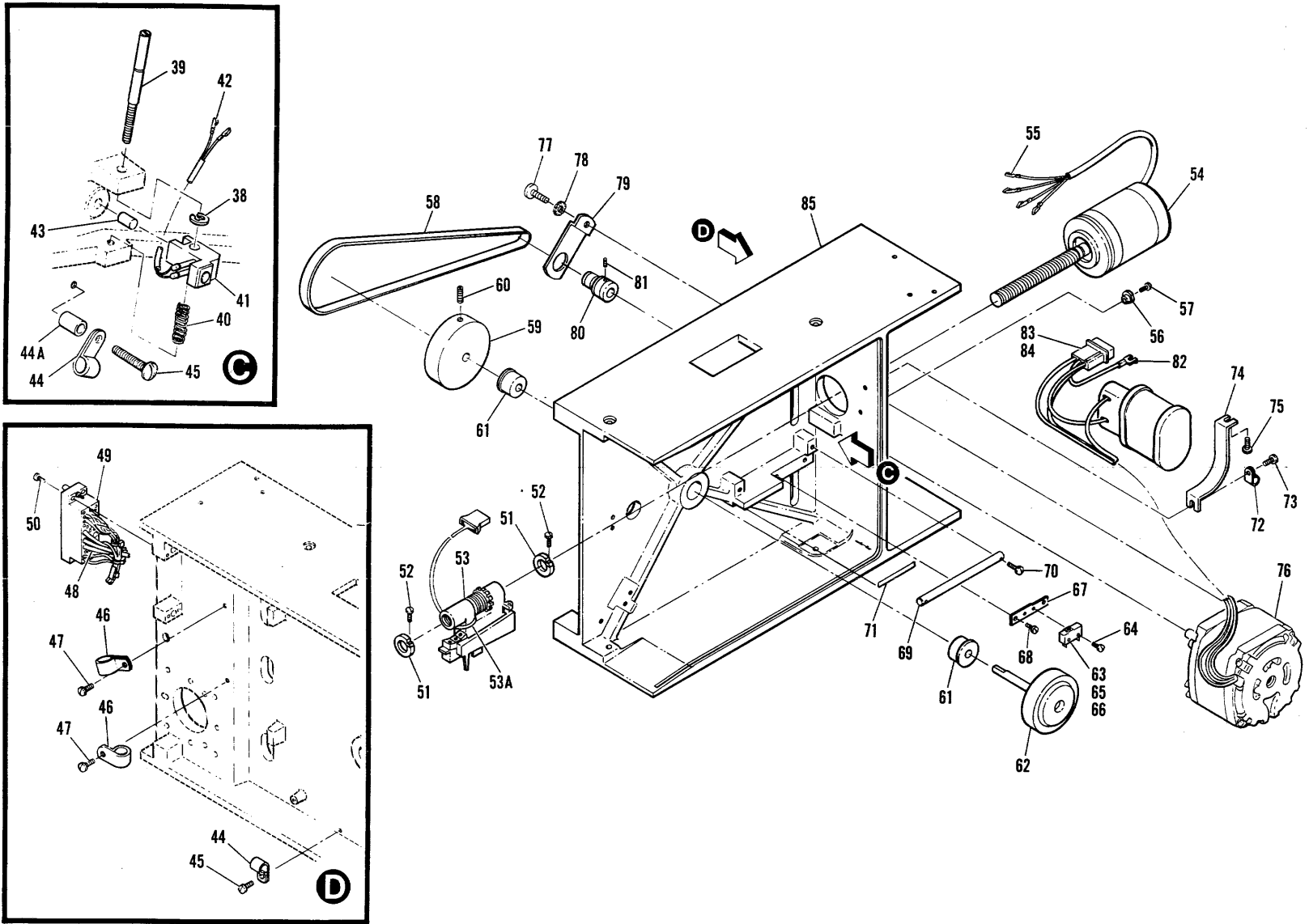


FIGURE 1 FLEXIBLE DISC FILE BASIC ASM (SHEET 2 OF 2)

5

FIGURE & INDEX NUMBER	PART NUMBER	DESCRIPTION				REFERENCE DESIGNATOR	QTY PER ASSY	USABLE ON CODE
		1	2	3	4			
1-								
					CODE A - USED ON 110 VAC ONLY CODE B - USED ON 220 VAC ONLY			
-	307009				BASIC ASM, FLEXIBLE DISC FILE		REF	
-1	307022				. LABEL, 651 FLEXIBLE DISC FILE		1	
-2	307036				. COVER, FACEPLATE		1	
-3*	701396				. SCREW, FLAT HD, 4-40 x .375		2	
-4	204253				. PIN, DOOR PIVOT		2	
-5	110819				. RING, RETAINING		4	
-6	112423				. HANDLE, OVAL		1	
-7*	110316				. SCREW, CAP, HEX SOCKET, 10-32 x .500		2	
-8	110811				. RING, RETAINING		2	
-9	204054				. PIN, ROLLER		1	
-10	204060				. ROLLER, DOOR		1	
-11	307035				. DOOR		1	
-12	204092				. COVER, FRONT		1	
-13	012126				. PC BOARD		1	
-14*	110041				. SCREW, BH, 4-40 x .250		4	
	204065				. SLIDE MOUNTING (OPTIONAL FEATURE)			
-15	204220				. . SLIDE		2	
-16*	110129				. . SCREW, BH, 8-32 x .375		4	
-17*	110842				. . NUT, HEX, KEPS, 8-32		4	
-18	204089				. . BRACKET, SLIDE		4	
-19*	110127				. . SCREW, BH, 8-32 x .250		4	
-20	204069				. CONNECTOR ANCHOR PLATE		1	
-21*	700559				. SCREW, THREADFORMING, 6-32 x .375		2	
-22	204194				. BRACKET, CONNECTOR		1	
-23*	110079				. SCREW, BH, 6-32 x .250		2	
-24	301193				. LABEL, WARNING, 115V		1	A
-24	301387				. LABEL, WARNING, 230V		1	B
-25	110819				. RING, RETAINING		2	
-26	204252				. PIN, CARTRIDGE GUIDE		2	
-27	112247				. RING, RETAINING, BOWED		2	
-28	204200				. CARTRIDGE GUIDE ASM (SEE FIGURE 2 FOR BREAKDOWN)		1	
-29	204076				. LATCH, SPRING		1	
-30*	110041				. SCREW, BH, 4-40 x .250		2	
-31	204251				. SWITCH ASM, DOOR		1	
-32*	110014				. SCREW, BH, 2-56 x .375		2	
-33	158510				. . CONTACT, LEAF		2	
-34	158734				. . SWITCH		1	
-35	204259				. SPRING, EXTENSION		1	
-36	204260				. RETAINER, SPRING		1	
-37*	110065				. SCREW, FILLISTER HD, 6-32 x .375		2	
-38	600854				. RING, RETAINING		1	
-39	204067				. SHAFT, DETECTOR		1	
-40	204068				. SPRING, DETECTOR		1	
-41	204010				. DETECTOR ASM		1	
-42	158510				. . CONTACT, LEAF		2	
-43	112272				. PIN, DOWEL		1	
-44	110943				. CLAMP, CABLE, .125		2	
-44A	701413				. SPACER, ROUND		1	
-45*	110017				. SCREW, BH, 2-56 x .625			
-46	110949				. CLAMP, CABLE, .500		2	
-47*	110081				. SCREW, BH, 6-32 x .375		2	
-48	204216				. COAXIAL CABLE ASM		3	
-49	307017				. HARNESS ASM (SEE FIGURE 3 FOR BREAKDOWN)		1	
-50*	110851				. SCREW, CAP, HEX SOCKET, 4-40 x .375		4	
-51	204290				. STOP, CARRIAGE		2	

FIGURE & INDEX NUMBER	PART NUMBER	DESCRIPTION				REFERENCE DESIGNATOR	QTY PER ASSY	USABLE ON CODE	
		1	2	3	4				
1-52*	112454	.	SCREW, CAP, HEX SOCKET, 2-56 x .375				2		
-53	204308	.	CARRIAGE ASM, READ/WRITE				1		
-53A	005046	.	TIE, CABLE				1		
-54	204097	.	MOTOR ASM, ACTUATOR				1		
-55	301046	.	CONTACT, LEAF				4		
-56*	204240	.	MOUNT, SYNCHRO				3		
-57*	110081	.	SCREW, BH, 6-32 x .375				3		
-58	204045	.	BELT, FLAT 307962 4.38				1		
-59	204043	.	PULLEY, SPINDLE				1		
-60*	110540	.	SCREW, SET, 8-32 x .250				1		
-61	112248	.	BALL BEARING, FLANGED 7.45				2		
-62	204014	.	HUB ASM				1		
-63	204250	.	SWITCH ASM, TRACK 0				1		
-64*	110013	.	SCREW, BH, 2-56 x .312				2		
-65	158510	.	CONTACT, LEAF				3		
-66	158734	.	SWITCH				1		
-67	307020	.	MOUNT, SWITCH				1		
-68*	110041	.	SCREW, BH, 4-40 x .250				2		
-69	204029	.	WAY CARRIAGE				1		
-70*	110851	.	SCREW, CAP, HEX SOCKET, 4-40 x .375				2		
-71	204300	.	SHIM				1		
-72	110945	.	CLAMP, CABLE, .250				1		
-73*	110081	.	SCREW, BH, 6-32 x .375				1		
-74	204063	.	STRAP, CAPACITOR				1		
-75	110079	.	SCREW, BH, 6-32 x .250				1		
-76	204198	.	DRIVE MOTOR ASM, 110 VAC (SEE NOTE)				1	A	
-76	204258	.	DRIVE MOTOR ASM, 220 VAC (SEE NOTE)				1	B	
-77*	110132	.	SCREW, BH, 8-32 x .625				4		
-78*	110381	.	WASHER, LOCK, EXTERNAL TOOTH, NO. 8				4		
-79	204195	.	GUARD, BELT				1		
-80	204042	.	PULLEY, BELT				1		
-81	110536	.	SCREW, SET, 8-32 x .125				1		
-82	150120	.	TERMINAL, CRIMP, FLANGED FORK, 22-16				1		
-83	150264	.	HOUSING, CONNECTOR, 3 PIN				1		
-84	150202	.	CONTACT, PIN, 20-14				3		
			INDEX NOS. 82, 83 AND 84 ARE PART OF DRIVE MOTOR ASM INDEX NO. 76						
-85	204197	.	BASEPLATE				1		
			NOTE: 110 VAC MOTOR ASSEMBLIES AND 220 VAC MOTOR ASSEMBLIES ARE INTERCHANGEABLE.						

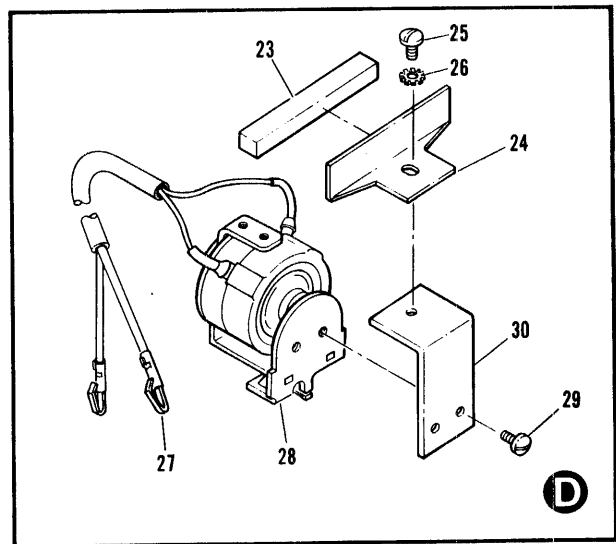
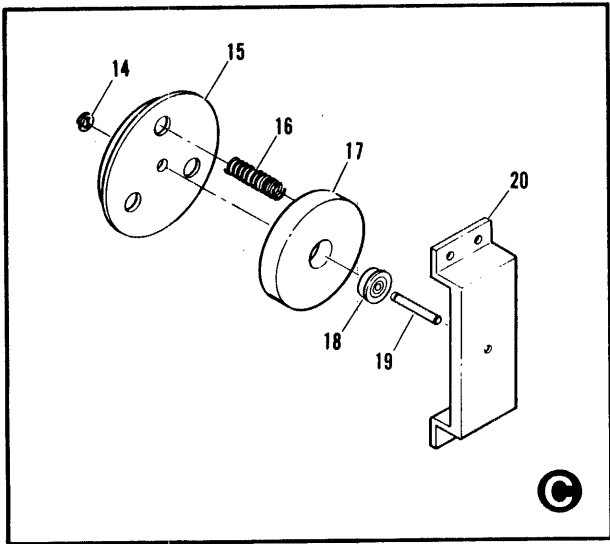
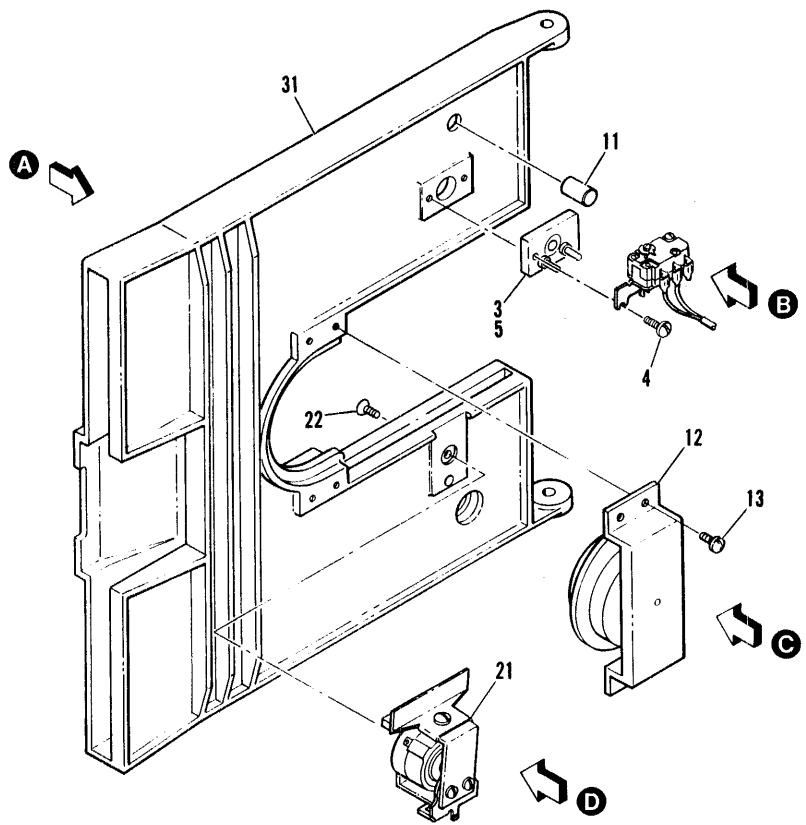
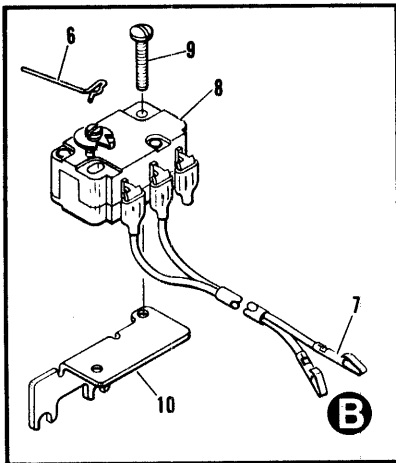
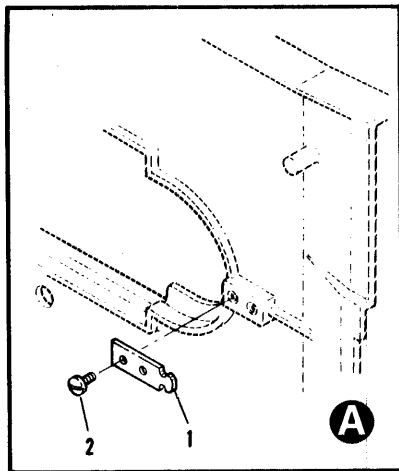


FIGURE 2 CARTRIDGE GUIDE ASM

FIGURE & INDEX NUMBER	PART NUMBER	DESCRIPTION				REFERENCE DESIGNATOR	QTY PER ASSY	USABLE ON CODE
		1	2	3	4			
2-	204200	CARTRIDGE GUIDE ASM (SEE FIGURE 1-28 FOR NHA)					REF	
-1	204244	. RETAINER, SPRING					1	
-2*	110081	. SCREW, BH, 6-32 x .375					2	
-3	204085	. DIODE ASM, LIGHT EMITTING					1	
-4*	110041	. SCREW, BH, 4-40 x .250					2	
-5	301046	. CONTACT, LEAF					2	
	204303	. SWITCH ASM, WRITE PROTECT (FEATURE)					1	
-6	158888	. ACTUATOR, WIRE FORM					1	
-7	158510	. CONTACT, LEAF					2	
-8	158887	. SWITCH					1	
-9*	110046	. SCREW, BH, 4-40 x .625					2	
-10	204301	. BRACKET, SWITCH					1	
-11	204028	. PIN, CARTRIDGE					1	
-12	204199	. CLAMP ASM					1	
-13*	110041	. SCREW, BH, 4-40 x .250					4	
-14	110811	. RING, RETAINING					1	
-15	204035	. CLAMP					1	
-16	204040	. SPRING, COMPRESSION					3	
-17	204248	. ROTOR, CLAMP					1	
-18	112246	. BEARING, FLANGED					1	
-19	204242	. SHAFT, BEARING GUIDE					1	
-20	204039	. SUPPORT, CLAMP					1	
-21	204016	. ACTUATOR ASM					1	
-22*	110095	. SCREW, FLAT HD, 6-32 x .375					1	
-23	204081	. PAD WIPER					1	
-24	204218	. BAIL, ACTUATOR ASM					1	
-25*	110040	. SCREW, BH, 4-40 x .188					1	
-26	110379	. WASHER, LOCK, EXTERNAL TOOTH, NO. 4					1	
-27	158510	. CONTACT, LEAF					2	
-28	204048	. SOLENOID ASM					1	
-29*	110039	. SCREW, BH, 4-40 x .125					2	
-30	204078	. EXTENSION, ARMATURE					1	
-31	204046	. CARTRIDGE GUIDE					1	

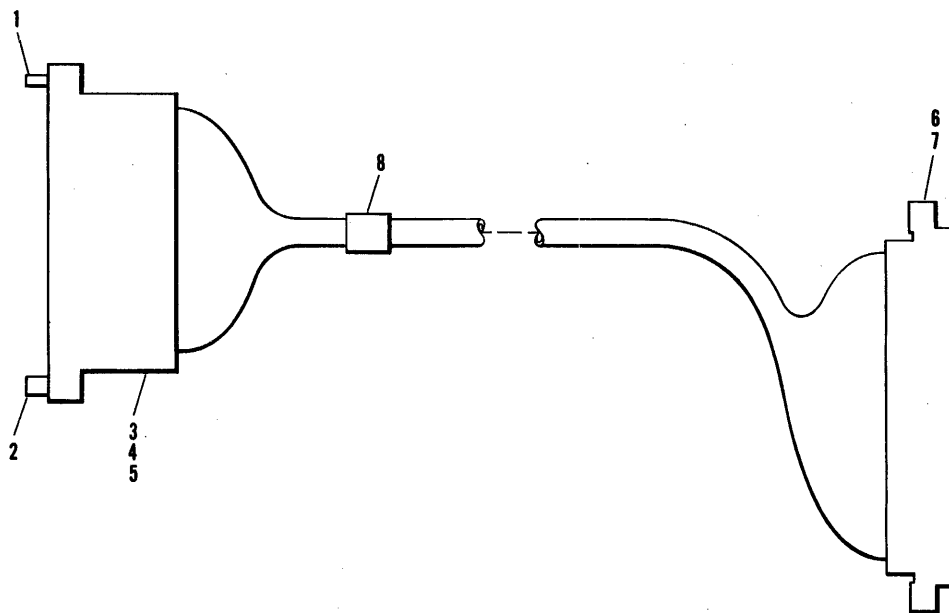


FIGURE 3 HARNESS ASM

FIGURE & INDEX NUMBER	PART NUMBER	DESCRIPTION	REFERENCE DESIGNATOR				QTY PER ASSY	USABLE ON CODE
			1	2	3	4		
3-	307017	HARNESS ASM (SEE FIGURE 1-49 FOR NHA)					REF	
-1	150541	. JACKSCREW, FIXED, MALE					1	
-2	150542	. JACKSCREW, FIXED, FEMALE					1	
-3	158569	. BLOCK, CONNECTOR, 42 CONTACT			J1		1	
-4	150289	. PIN, CONTACT, 18-16					10	
-5	150295	. PIN, CONTACT, 22-20					10	
-6	158668	. HOUSING, CONNECTOR, PC BOARD			PC1		1	
-7	158510	. CONTACT, LEAF					20	
-8	154319	. MARKER, CABLE					1	

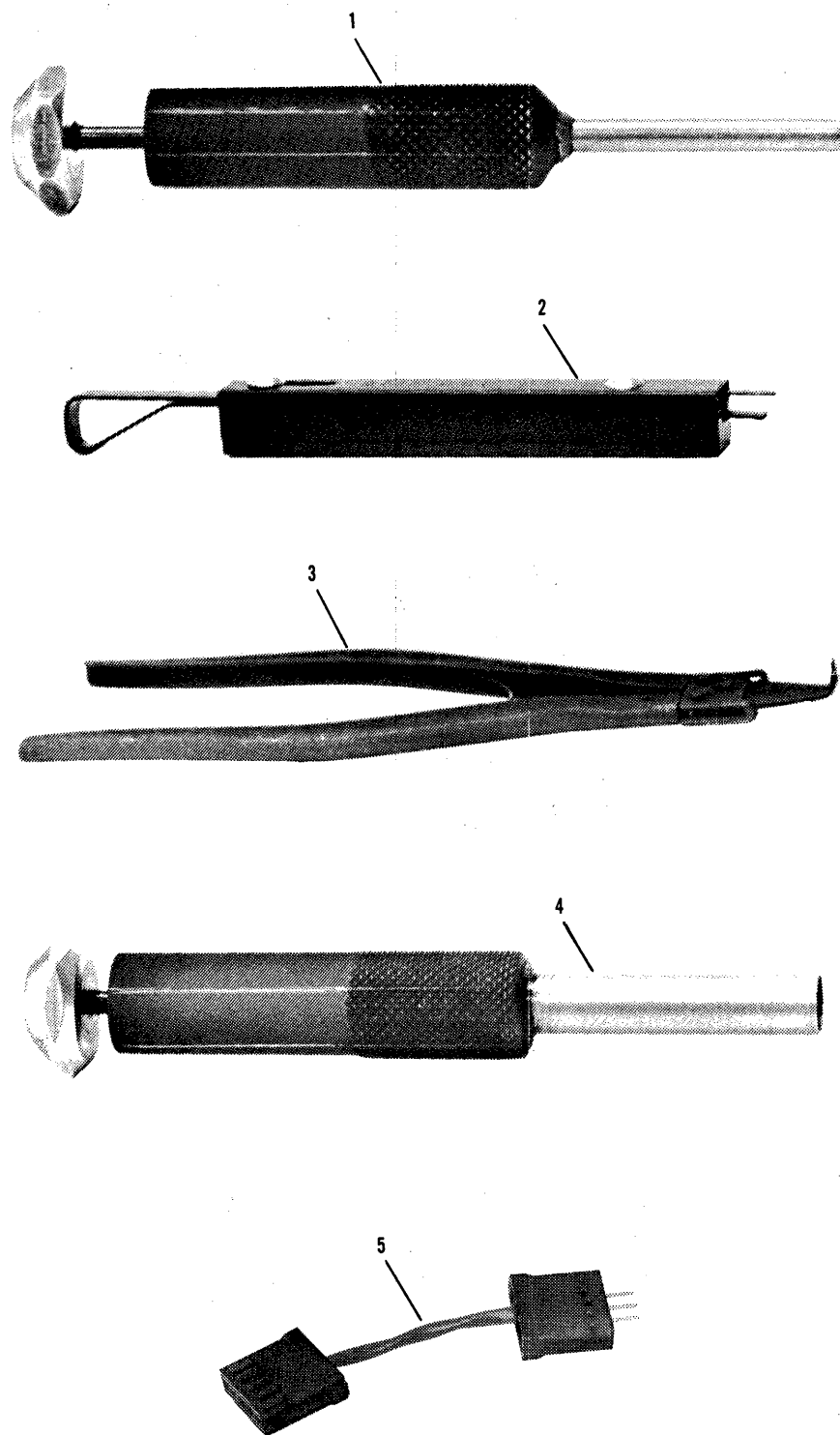


FIGURE 4 651 ACCESSORIES (SHEET 1 OF 4)

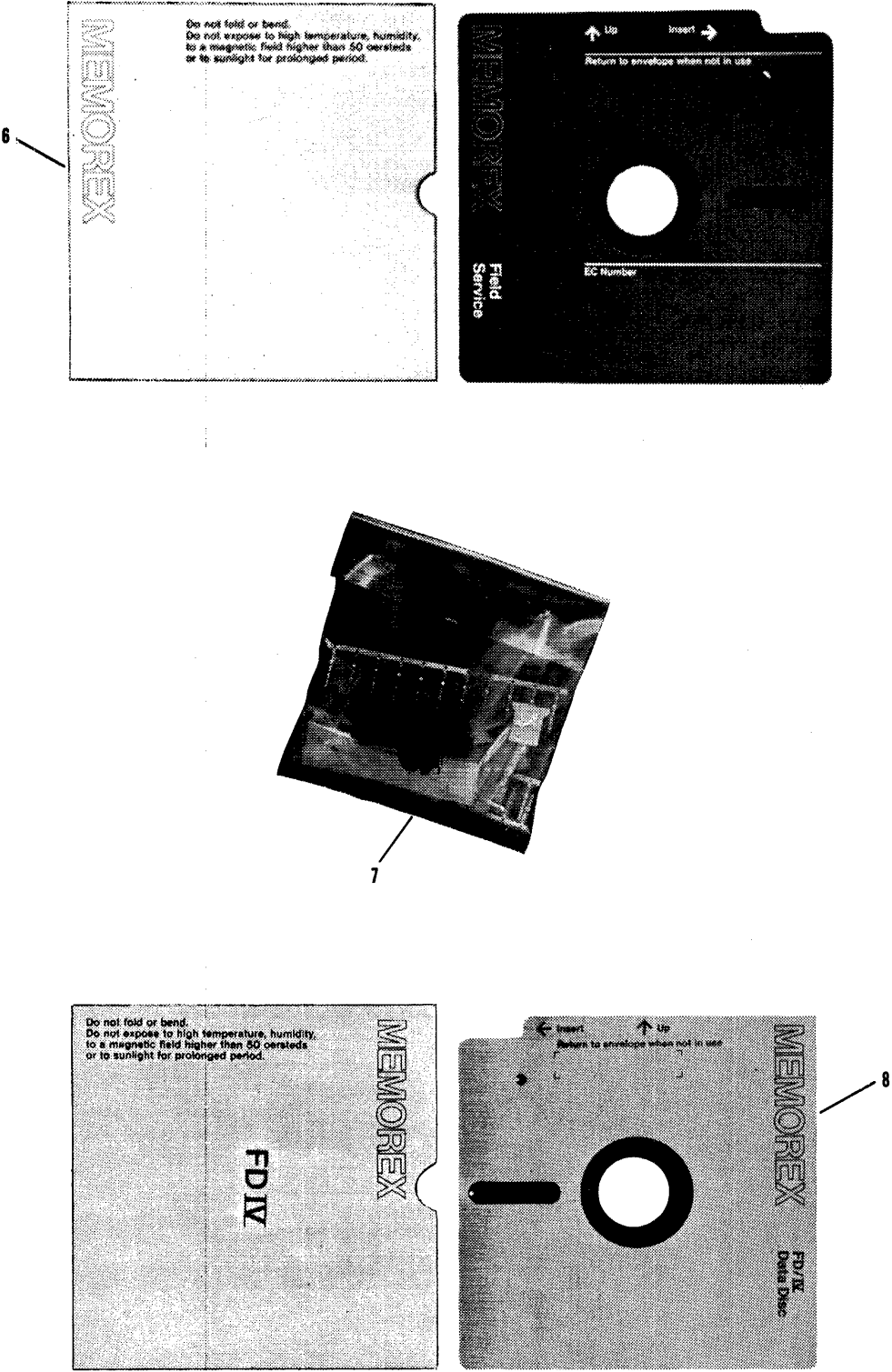


FIGURE 4 651 ACCESSORIES (SHEET 2 OF 4)

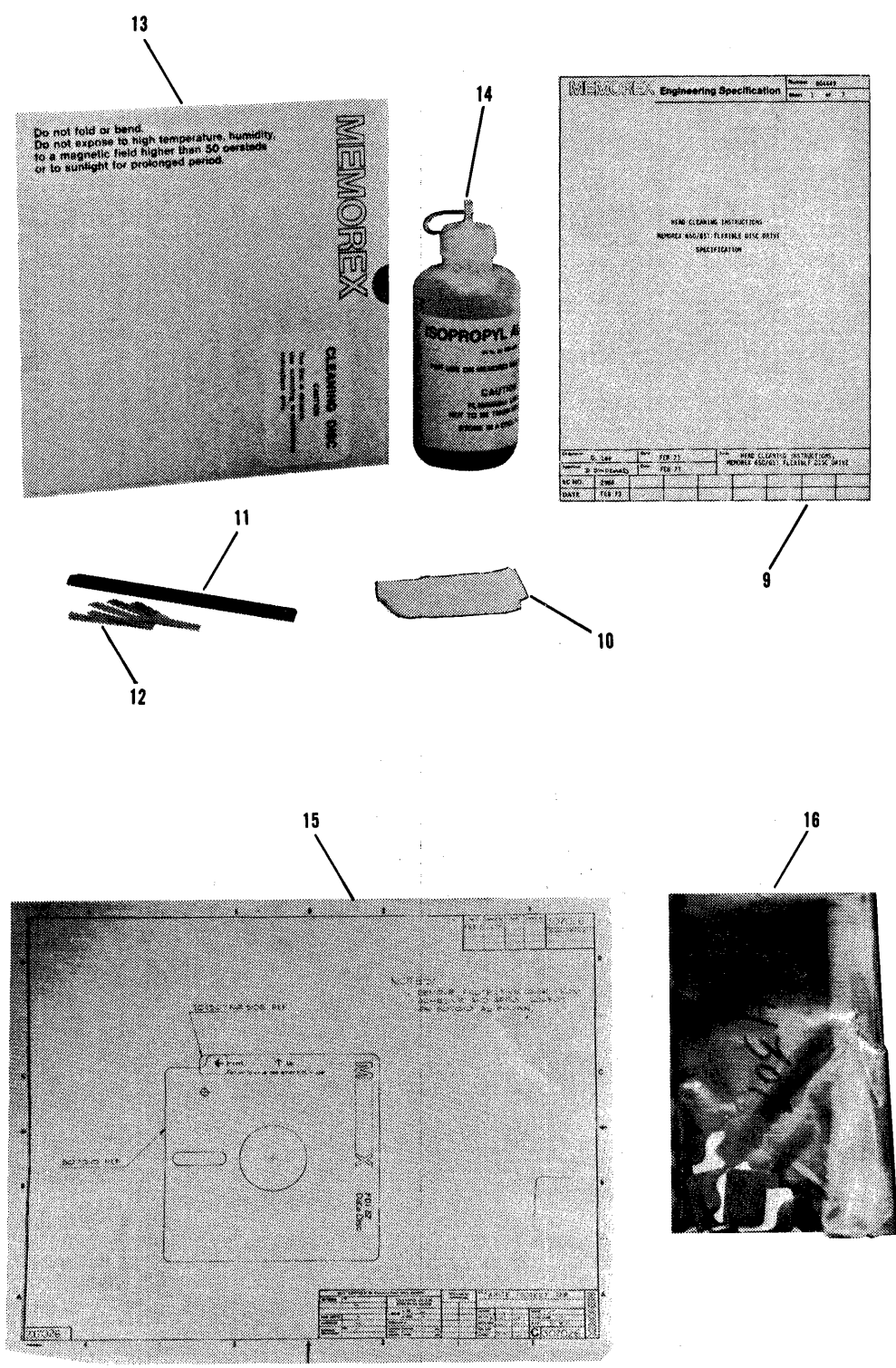


FIGURE 4 651 ACCESSORIES (SHEET 3 OF 4)

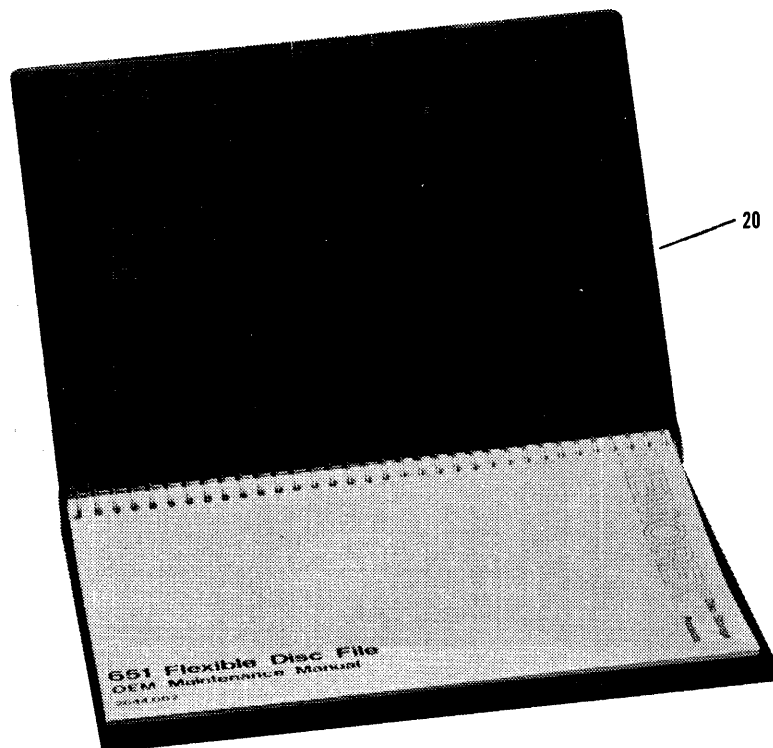
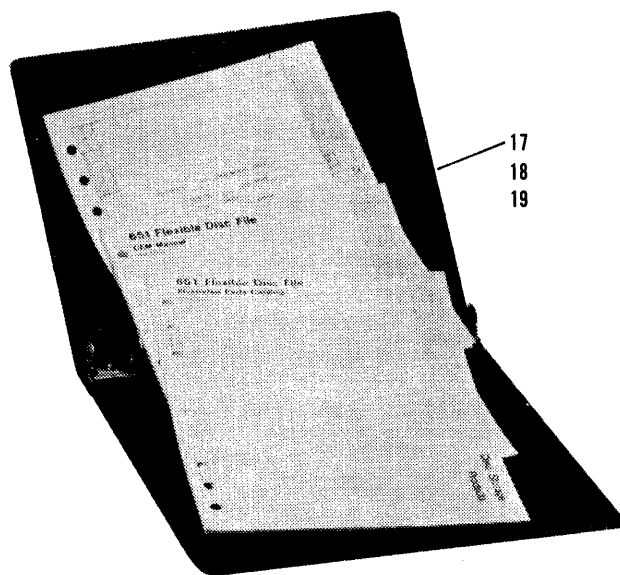


FIGURE 4 651 ACCESSORIES (SHEET 4 OF 4)

FIGURE & INDEX NUMBER	PART NUMBER	DESCRIPTION				REFERENCE DESIGNATOR	QTY PER ASSY	USABLE ON CODE
		1	2	3	4			
4-	NO NO.	651 ACCESSORIES					REF	
	307021	. FIELD TOOL KIT					1	
-1	150691	. . PIN EXTRACTOR					1	
-2	301711	. . PIN EXTRACTOR					1	
-3	203148	. . SNAP RING PLIERS					1	
-4	158762	. . PIN EXTRACTOR					1	
-5	204296	. ADAPTER, READ/WRITE ALIGNMENT					1	
-6	307007	. HEAD ALIGNMENT CARTRIDGE ASM 725					1	
-7	204305	. INTERFACE CONNECTOR KIT					1	
-8	307000	. FLEXIBLE DISC IV CARTRIDGE ASM					1	
	307006	. CLEANING KIT					1	
-9	804449	. . HEAD CLEANING INSTRUCTIONS, 651					1	
-10	204298	. . CLOTH, HEAD CLEANING					A/R	
-11	204299	. . BRUSH, HEAD CLEANING					1	
-12	204300	. . SHIM, PLATEN					1	
-13	307011	. . ENVELOPE ASM, CLEANING DISC					1	
-14	202375	. . ALCOHOL					1	
	307030	. WRITE, PROTECT TAB KIT					1	
-15	NO NO.	. . INSTRUCTIONS, WRITE PROTECT TAB					1	
-16	NO NO.	. . TABS, WRITE PROTECT					A/R	
-17	804450	. 651 OEM MANUAL (2944.020-2) 2575					1	
-18	804448	. 651 ILLUSTRATED PARTS CATALOG (2844.002-01) 225					1	
-19	204166	. 651 LOGIC MANUAL					1	
-20	804447	. 651 MAINTENANCE MANUAL (2644.002) 225					1	

NUMERICAL INDEX

PART NUMBER	FIGURE & INDEX NUMBER
012126	1-13
110013	1-64
110014	1-32
110039	2-29
110040	2-25
110041	1-14
	1-30
	1-68
	2-4
	2-13
110046	2-9
110065	1-37
110079	1-23
	1-75
110081	1-45
	1-47
	1-57
	1-73
	2-2
110095	2-22
110127	1-19
110129	1-16
110132	1-77
110316	1-7
110379	2-26
110381	1-78
110536	1-81
110540	1-60
110811	1-8
	2-14
110819	1-5
	1-25
110842	1-17
110851	1-50
	1-70
110943	1-44
110945	1-72
110949	1-46
112246	2-18
112247	1-27
112248	1-61
112272	1-43
112423	1-6
112454	1-52
150120	1-82
150202	1-84
150264	1-83
150289	3-4
150295	3-5
150541	3-1
150542	3-2
150691	4-1
154319	3-7

PART NUMBER	FIGURE & INDEX NUMBER
158510	1-33
	1-42
	1-65
	2-7
	2-27
	3-7
158569	3-3
158668	3-6
158734	1-34
	1-66
158762	4-4
158887	2-8
158888	2-6
202375	4-14
203148	4-3
204010	1-41
204014	1-62
204016	2-21
204028	2-11
204029	1-69
204035	2-15
204039	2-20
204040	2-16
204042	1-80
204043	1-59
204045	1-58
204046	2-31
204048	2-28
204054	1-9
204060	1-10
204063	1-74
204067	1-39
204068	1-40
204069	1-20
204076	1-29
204078	2-30
204081	2-23
204085	2-3
204089	1-18
204092	1-12
204097	1-54
204136	4-5
204166	4-19
204194	1-22
204195	1-79
204197	1-85
204198	1-76
204199	2-12
204200	1-28
	2-REF
204216	1-48
204218	2-24
204220	1-15

PART NUMBER	FIGURE & INDEX NUMBER
204240	1-56
204242	2-19
204244	2-1
204248	2-17
204250	1-63
204251	1-31
204252	1-26
204253	1-4
204258	1-76
204259	1-35
204260	1-36
204290	1-51
204296	4-5
204298	4-10
204299	4-11
204300	1-71
	4-12
204301	2-10
204303	2-5
204305	4-7
204308	1-53
301046	1-55
	2-5
301193	1-24
301387	1-24
301711	4-2
307000	4-8
307006	4-9
307007	4-6
	4-4
307009	1-REF
307011	4-13
307017	1-49
	3-REF
307020	1-67
307021	4-1
	4-REF
307022	1-1
307030	4-14
307035	1-11
307036	1-2
600854	1-38
700559	1-21
701396	1-3
804447	4-20
804448	4-18
804449	4-9
804450	4-17

PART NUMBER	FIGURE & INDEX NUMBER
-------------	-----------------------

Memorex Corporation

San Tomas at Central Expressway
Santa Clara, California 95052

**652 Flexible Disc File
Description**

The Memorex 652 Flexible Disc File is a compact, direct access unit which reads and writes data on flexible disc cartridges. The 652 Flexible Disc File provides the OEM customer the storage device which can be used as an integral component in the design of data processing systems that have a requirement for read/write media interchangeability with the IBM 3740 Data Entry System. In addition to IBM 3740 compatibility, the 652 offers data handling simplicity and convenience and a high degree of reliability. Typical applications for the 652 are control store loading, auxiliary storage, data logging, key entry recording, programmable calculator storage, point of sale recording and accounting machine storage.

The 652 is composed of a drive mechanism, read/write head, head actuator and associated electronics. Connections are made to the host system by signal and power cables with addressing function requests, data formatting and power supplied by the user.



MEMOREX

652 Flexible
Disc File

MEMOREX

652 Flexible Disc File Characteristics

Lower ↑ *High*

(2.5) ←

Capacity
Maximum disc capacity unformatted
Per track 41 kilobits
Per disc 3.1 megabits

Recording Density
Bit density inside track 3268 BPI

Format
Sectors per track, user formatted
Index per track 1

375 ←

Rotational Speed
360 RPM

80 ←

Latency Time
83 milliseconds average

Access Time
Step rate 10 milliseconds/track
Settle time 10 milliseconds

64 ←

Tracks
77 per disc

Recording Mode
Frequency Modulation

Data Rate
250 kilobits per second

W. Swan

Operational Environment

60° to 100° F
8% to 80% RH with maximum wet bulb 85° F

Power

Primary
110 VAC, single phase, 50/60 HZ

Secondary

+24 VDC, 1.5 amp
-15 VDC, 0.1 amp or -12 VDC
+5 VDC, 1.0 amp

Heat Dissipation

280 BTU per hour, nominal

Physical Dimensions

9" high x 4½" wide and 14" deep

Weight

17 pounds

Options

208/230 VAC, single phase, 50/60 HZ
Chassis slide mounting hardware

652 Flexible Disc File

Memorex Drive & 525i power

*Power Supply — 208/230 VAC } Standard
50 Hz*

- Drive*
- 1. Allen wrench*
 - 2. Turn fully drive & reverse it*

Memorex Corporation
San Tomas at Central Expressway
Santa Clara, California 95052
(408) 987-3677

MEMOREX

First Class
Permit No. 250
Santa Clara
California 95050

Business Reply Mail

No Postage Necessary if Mailed in the United States

Postage Will be Paid By

Memorex Corporation

Santa Clara Publications
Mail Stop 00-21
1200 Memorex Drive
Santa Clara, California 95052



Thank you for your information.....

Our goal is to provide better, more useful manuals, and your comments will help us to do so.

.....Memorex Publications