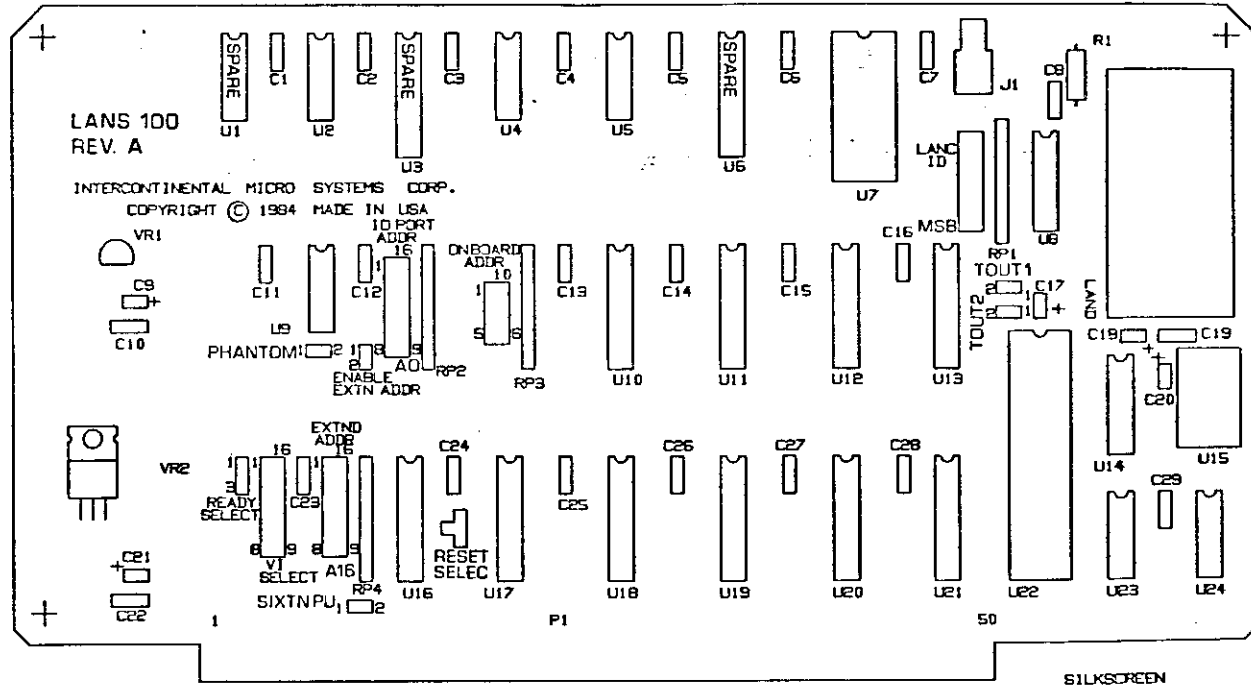


REV	DESCRIPTION	APPR. BY	DATE
A	SCHEMATIC UPDATE	R Ruiz	5-18-84

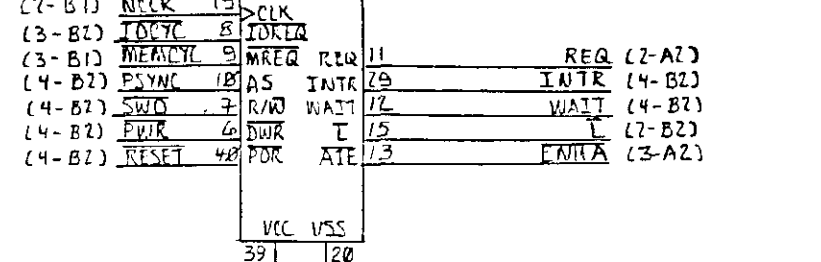
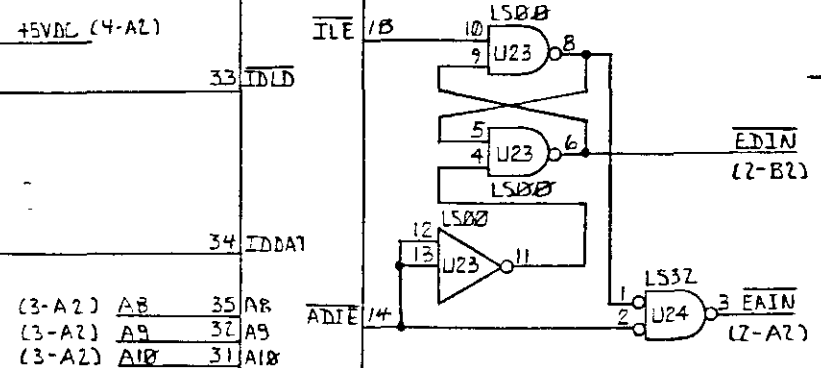
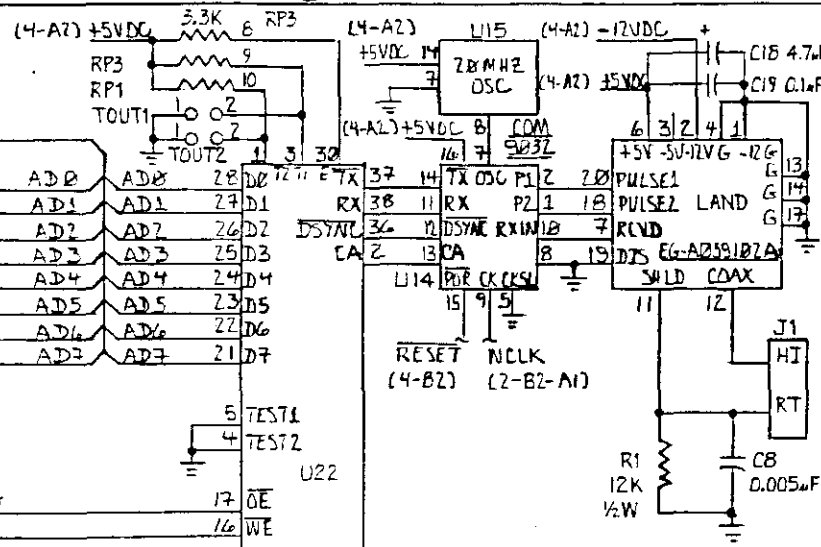
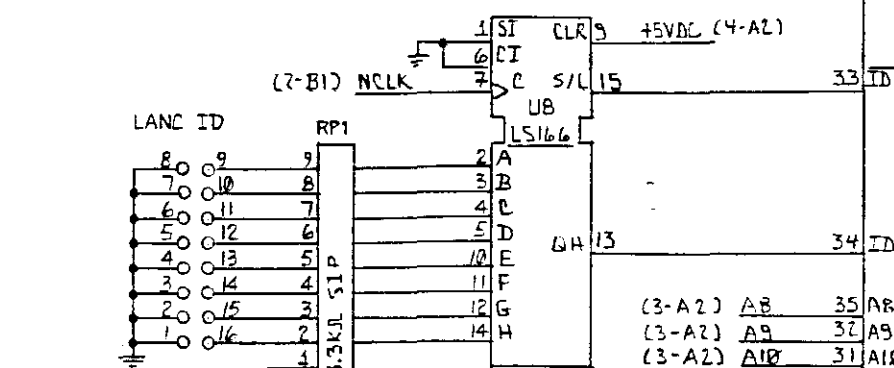
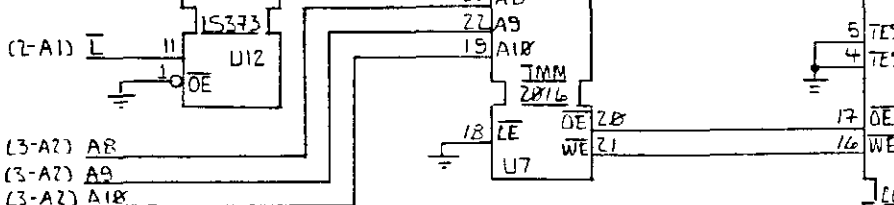
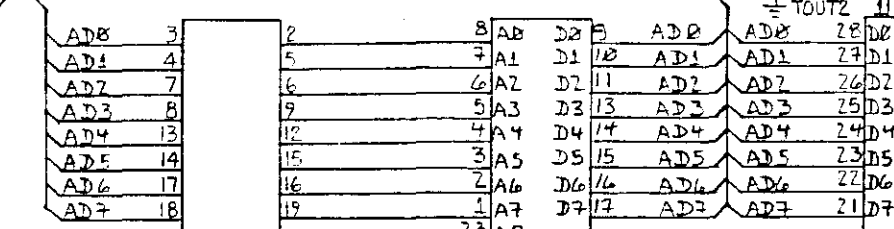
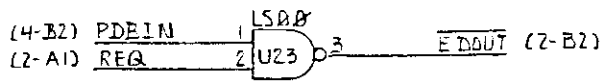
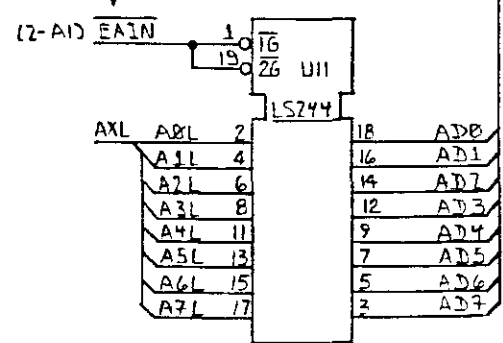
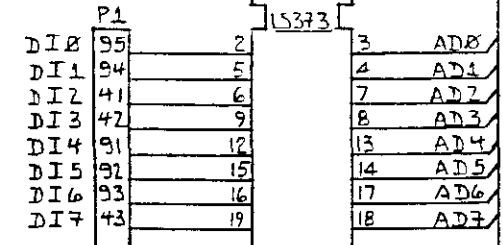
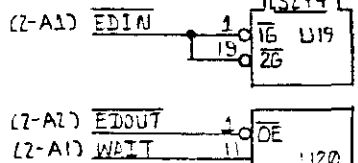
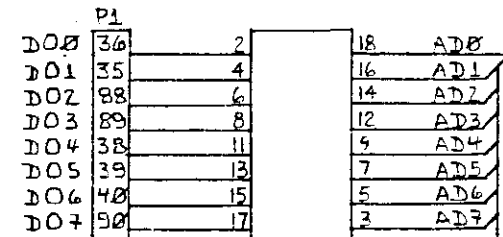
LANS100 PARTS LIST

74LS00	Quad Nand	U2, U23	2	
74LS02	Quad Nor	U5	1	
74LS32	Quad Or	U24	1	
74LS74	D F/F	U4	1	
74LS166	P/S Shifter	U8	1	
74LS244	Octal Buffer	U11,13,18,19,21	5	
74LS373	Octal Register	U12,20	2	
7438	Quad Nand OC	U9	1	
AM25LS2521PC	8-bit Comparator	U10,16,17	3	
TMM2016	8Kx8 RAM	U7	1	
COM9026	ARCNET Controller	U22	1	
COM9032	ARCNET Interface	U14	1	
79L12	-12V Regulator	VR1	1	
LM340T-5	+5V Regulator	VR2	1	
Heat Sink			1	
3.3K ohm	Resistor 10-pin SIP	RP1-4	4	
12K ohm	Resistor 1/2 watt	R1	1	
20 MHz	Oscillator	U15	1	
4.7 micro-farad	Capacitor, Tant	C17,18,20	3	
10 micro-farad	Capacitor, Tant	C9,21	2	
0.005 micro-farad	Capacitor, Ceramic	C8	1	
0.1 micro-farad	Capacitor, Tant	C1-7,C10-16,	22	
8X2 jumper array	C22-29		4	
	LANC ID			
	IO PORT ADDR			
	VI SELECT			
	EXTND ADDR			
	ONBOARD ADDR			
	READY SELECT			
	ENABLE EXTN ADDR			
	PJ6			
5x2 jumper array			1	
3x1 jumper array			1	
2x1 jumper array			1	
3x1-1x1 jumper array			4	
#6 Nut			1	
#6 Washer			1	
6/32x1/2 Screw			1	
BLANK LANS100			1	
2-640357-3	14PNSCKT	14-pin socket	U2,4,5,9,23,24	6
2-640358-3	16PNSCKT	16-pin socket	U8,14	2
2-640464-3	20PNSCKT	20-pin socket	U10-13,16-21	10
2-640361-3	24PNSCKT	24-pin socket	U7	1
2-640379-3	40PNSCKT	40-pin socket	U22	1
Molex 09-65-1021		2-pin male rt. angle cnctr	J1	1
LAN Device	Analog Driver	LAND	1	



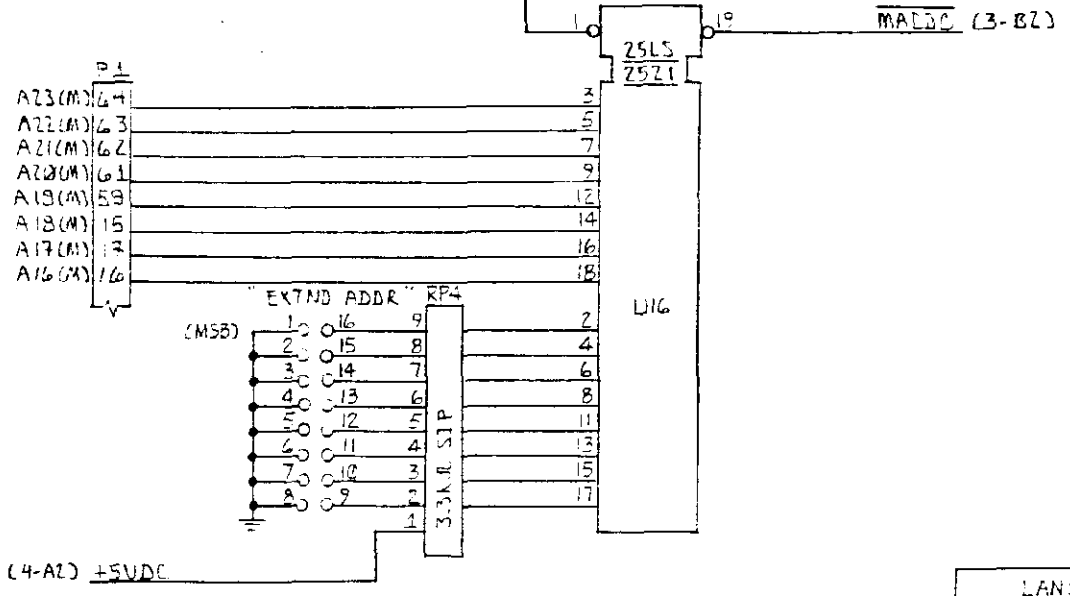
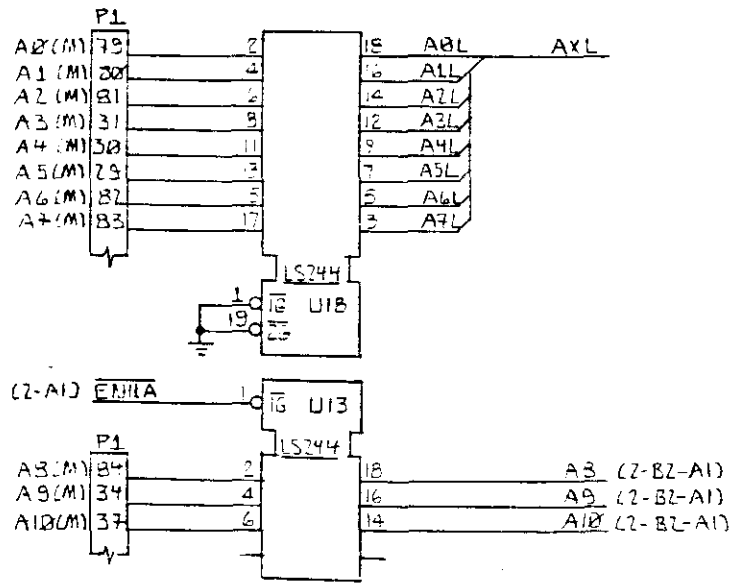
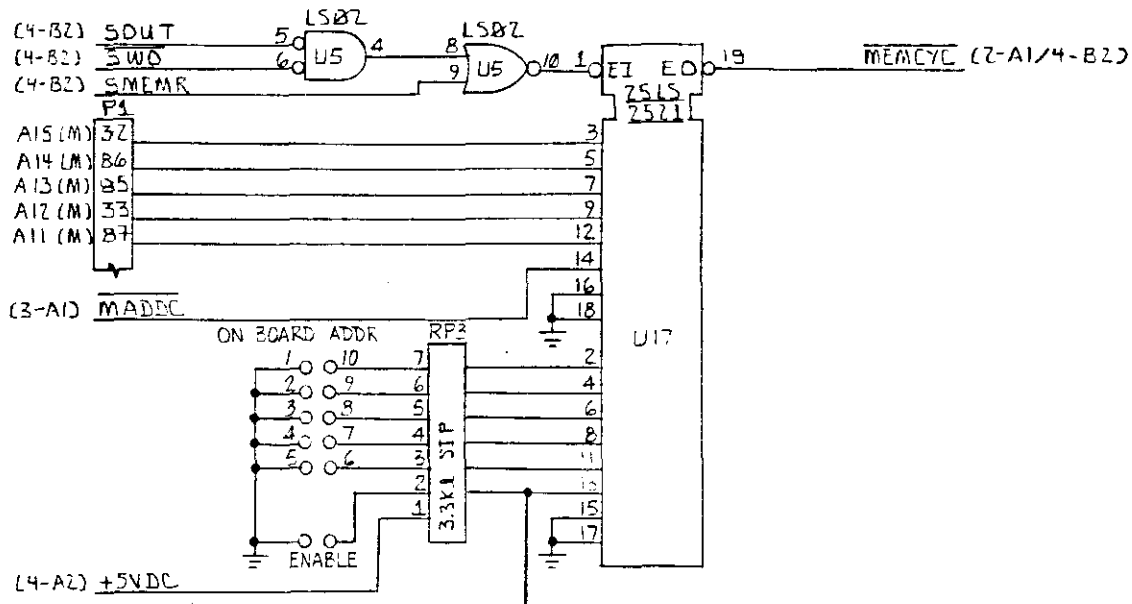
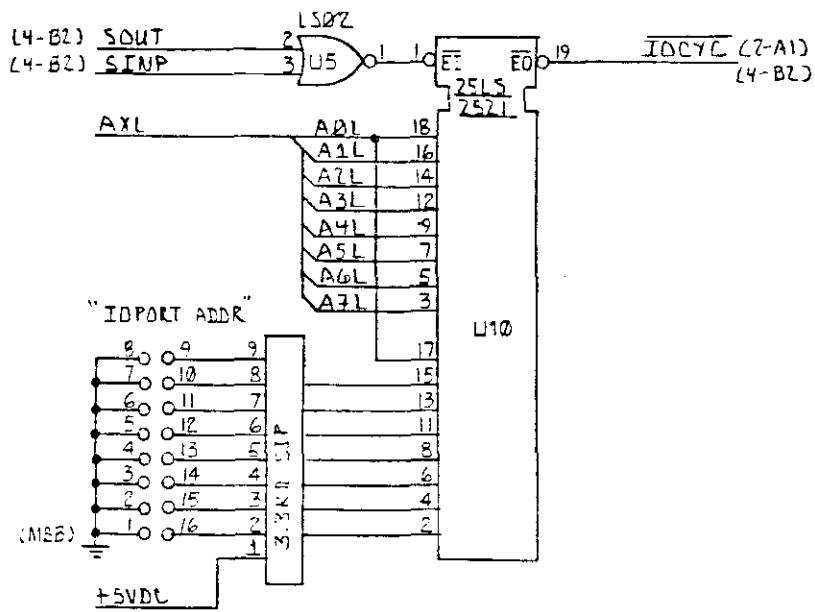
INTERCONTINENTAL MICRO SYSTEMS

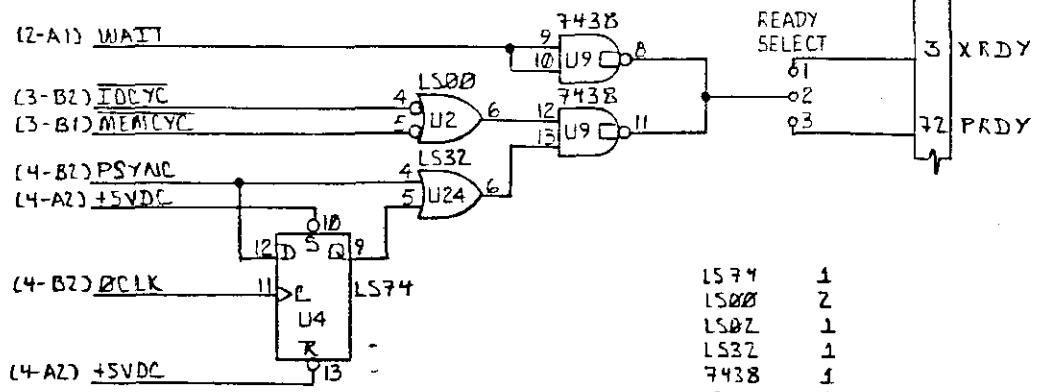
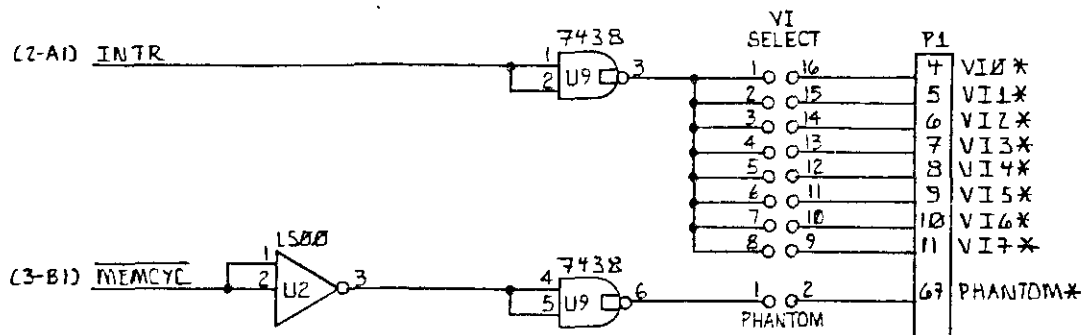
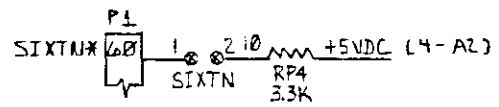
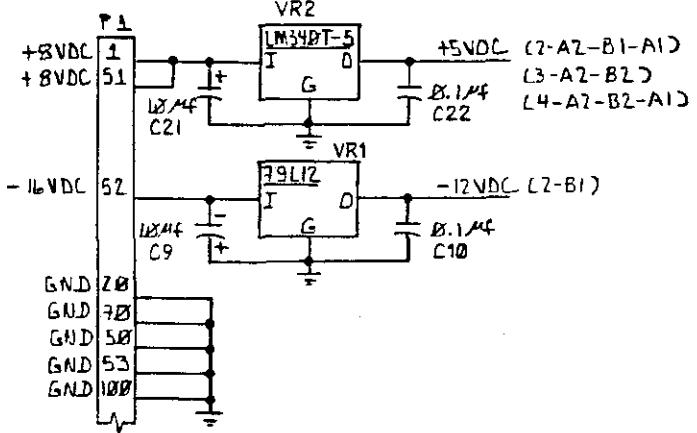
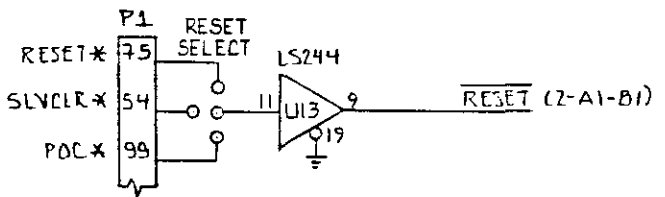
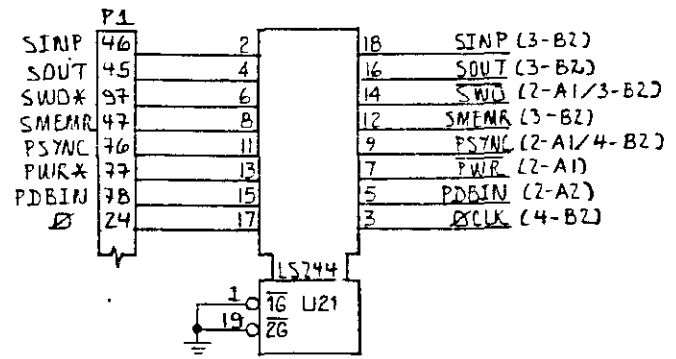
Designed By:	INTERCONTINENTAL MICRO SYSTEMS	
Checked By:	SCHEMATIC/LOGIC DIAGRAM ARCNET CONTROLLER	
Rev: A	LANS100	Sheet 1 of 4



(4-A2) +5VDC

LANS100  
SH 2 OF 4



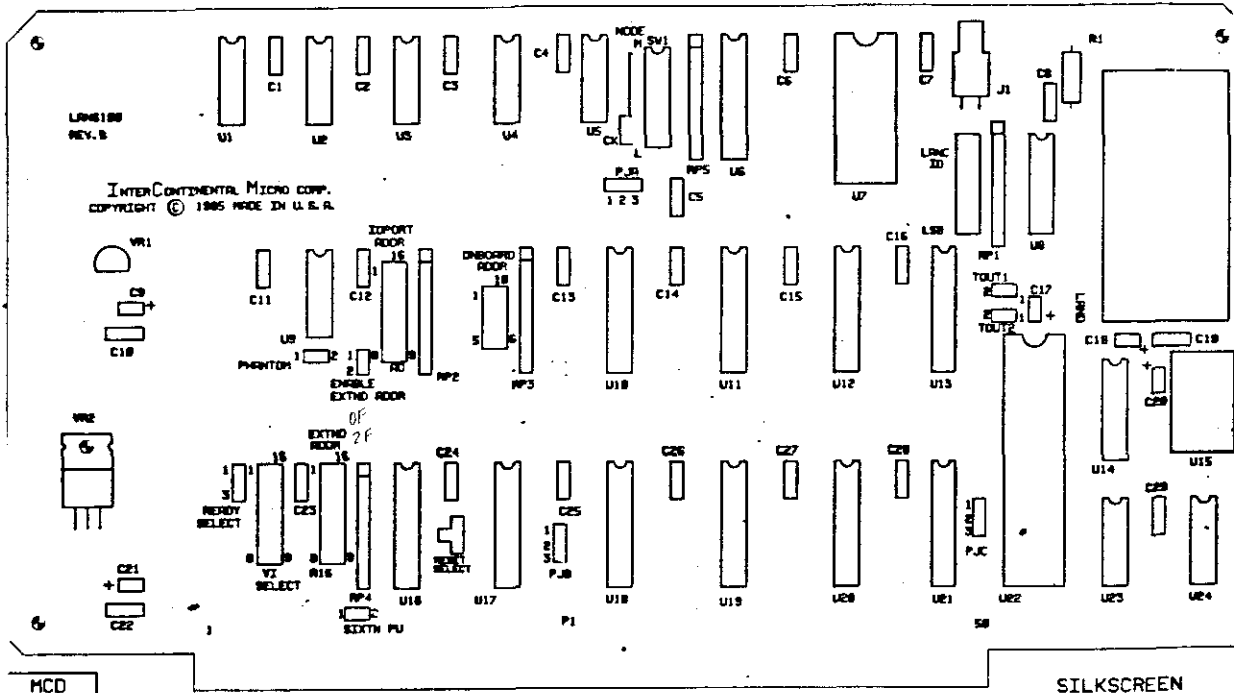


- LS74 1
- LS00 2
- LS02 1
- LS32 1
- 7438 1
- LS166 1
- LS244 5
- LS373 2
- 25LS2521 3
- TMM2076 1
- COM9226 1
- COM9032 1
- EG-A059102A 1
- 20MHz OSC 1
- SIP (3.3K, 10P) 4
- 14 PIN SOCKET 5
- 16 PIN SOCKET 2
- 20 PIN SOCKET 10
- 24 PIN SOCKET 1
- 40 PIN SOCKET 1

REV	DESCRIPTION	APPR. BY	DATE
A	SCHEMATIC UPDATE	R. Top	5-11
B	SCHEMATIC / HRDWR UPDATE		

LANS100 PARTS LIST

74LS00	Quad Nand	U1,2, U23	3
74LS02	Quad Nor	U5	1
74LS32	Quad Or	U3,24	2
74LS74	D F/F	U4	1
74LS166	P/S Shifter	U8	1
74LS244	Octal Buffer	U6,11,13,18,19,21	6
74LS373	Octal Register	U12,20	2
7438	Quad Nand OC	U9	1
AN25LS2521PC	8-bit Comparator	U10,16,17	3
TMA2016	8Kx8 RAM	U7	1
COM9026	ARCNET Controller	U22	1
COM9032	ARCNET Interface	U14	1
79L12	-12V Regulator	VR1	1
LM341P-5.0TB	+5V Regulator	VR2	1
heat Sink			
3.3k ohm	Resistor 10-pin SIP	RP1-5	5
12K ohm	Resistor 1/2 watt	R1	1
20 Mhz	Oscillator	U15	1
4.7 micro-farad	Capacitor, Tant	C9,17,18,20	4
10 micro-farad	Capacitor, Tant	C21	1
0.005 micro-farad	Capacitor, Ceramic	C8	1
0.1 micro-farad	Capacitor, Tant	C1-7, C10-16,19	23
8X2 jumper array		C22-29	4
5x2 jumper array		LANC ID	1
3x1 jumper array		IO PORT ADDR	5
2x1 jumper array	PJA, PJB, PJC,	VI SELECT	3
1x1 jumper array		EXTND ADDR	1
#6 Nut		ONBOARD ADDR	1
#6 washer		READY SELECT	1
6/32x1/2 Screw		ENABLE SELECT	1
BLANK LANS100 REV B		ENABLE EXTN ADDR	1
2-640357-3	14-pin socket	PJ6	8
2-640358-3	16-pin socket		2
2-640464-3	20-pin socket		1
2-640361-3	24-pin socket		1
2-640379-3	40-pin socket		1
Molex 09-65-1021	2-pin male rt. angle cnctr	J1	1
LAN Device	Analog Driver	LAND	1
76PSE08	Switch, 8-pos. DIP	SW1	1



INTERCONTINENTAL MICRO CORP.  
LANS100 BOARD

Designed By: R RUIZ 5-84	INTERCONTINENTAL MICRO SYSTEMS	
Checked By:	SCHEMATIC/LOGIC DIAGRAM ARCNET CONTROLLER	
Rev: B	LANS100	Sheet 1 of 4



