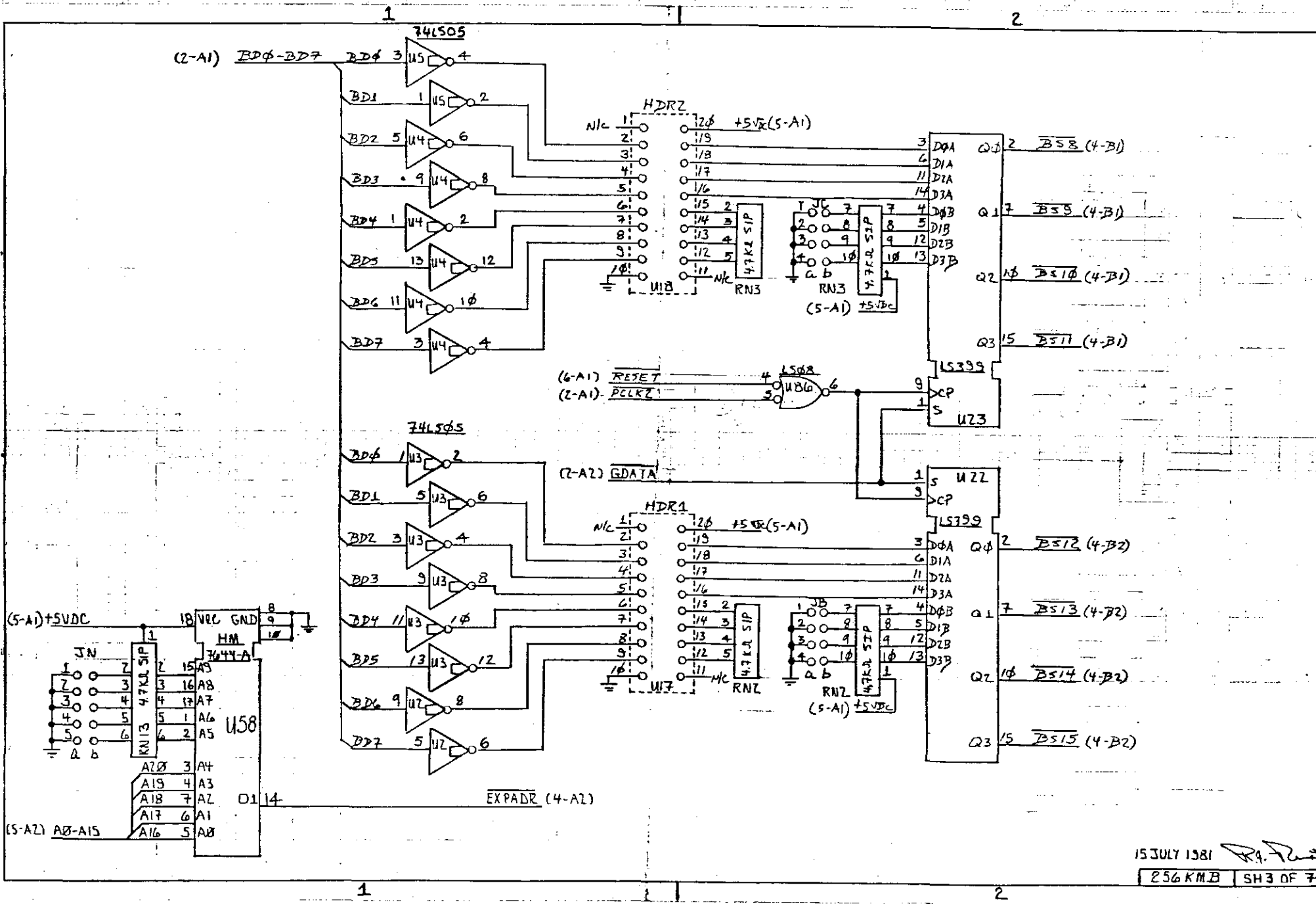
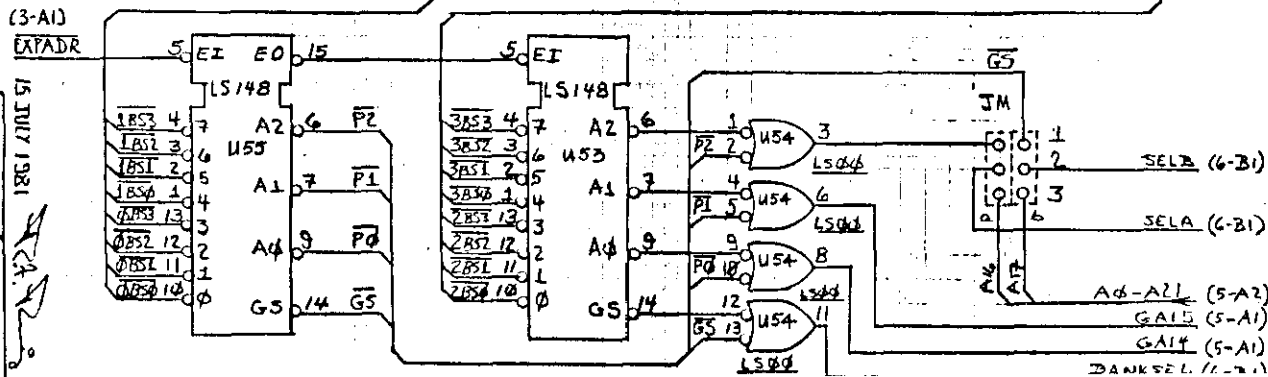
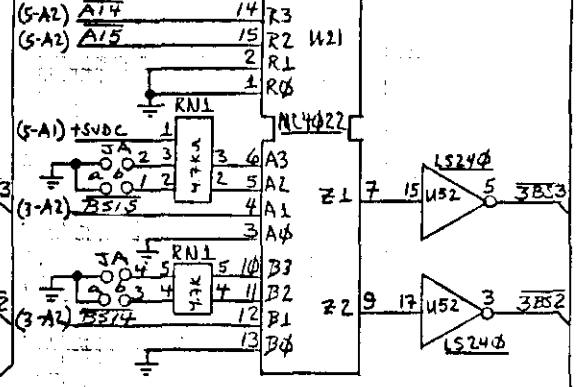
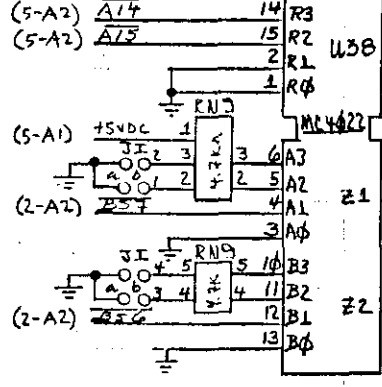
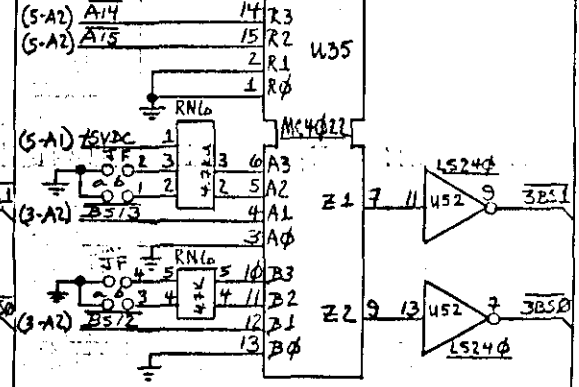
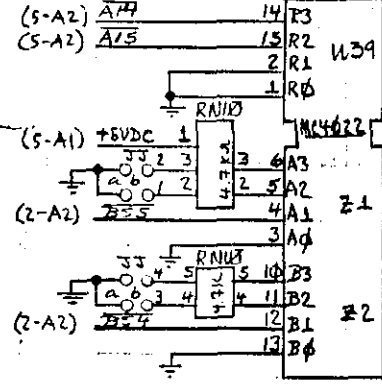
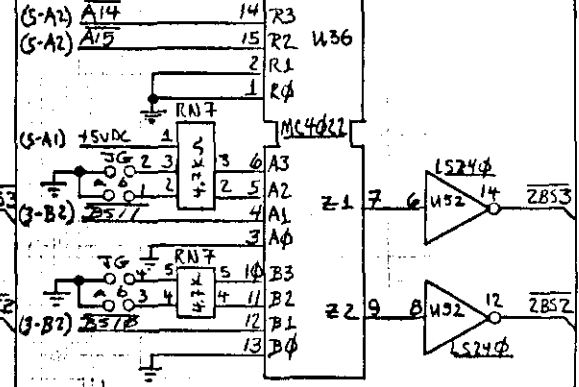
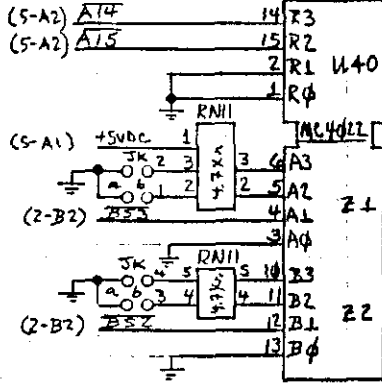
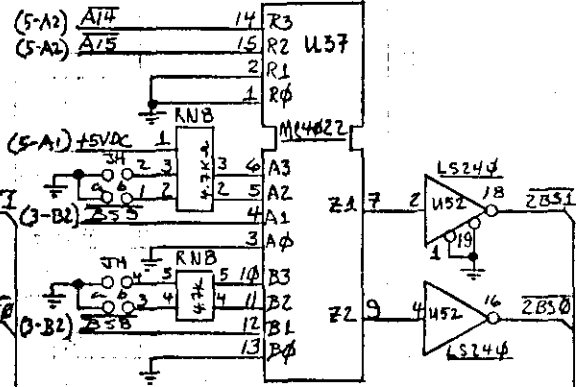
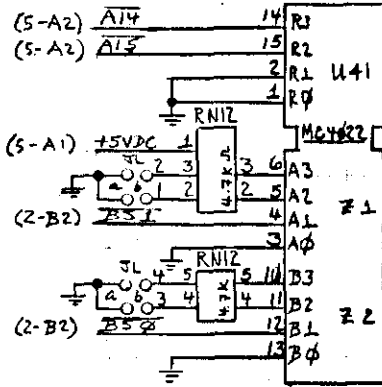
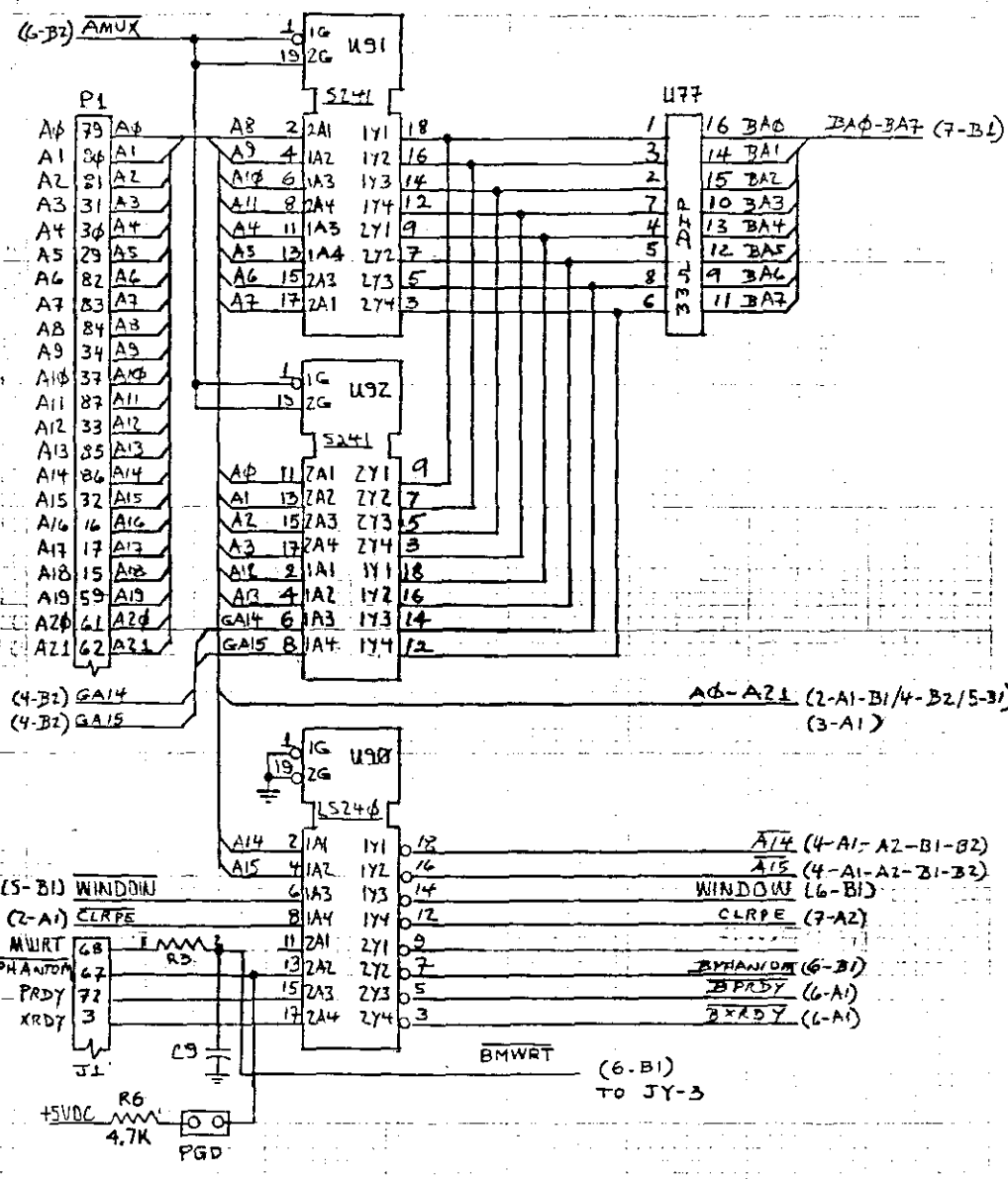
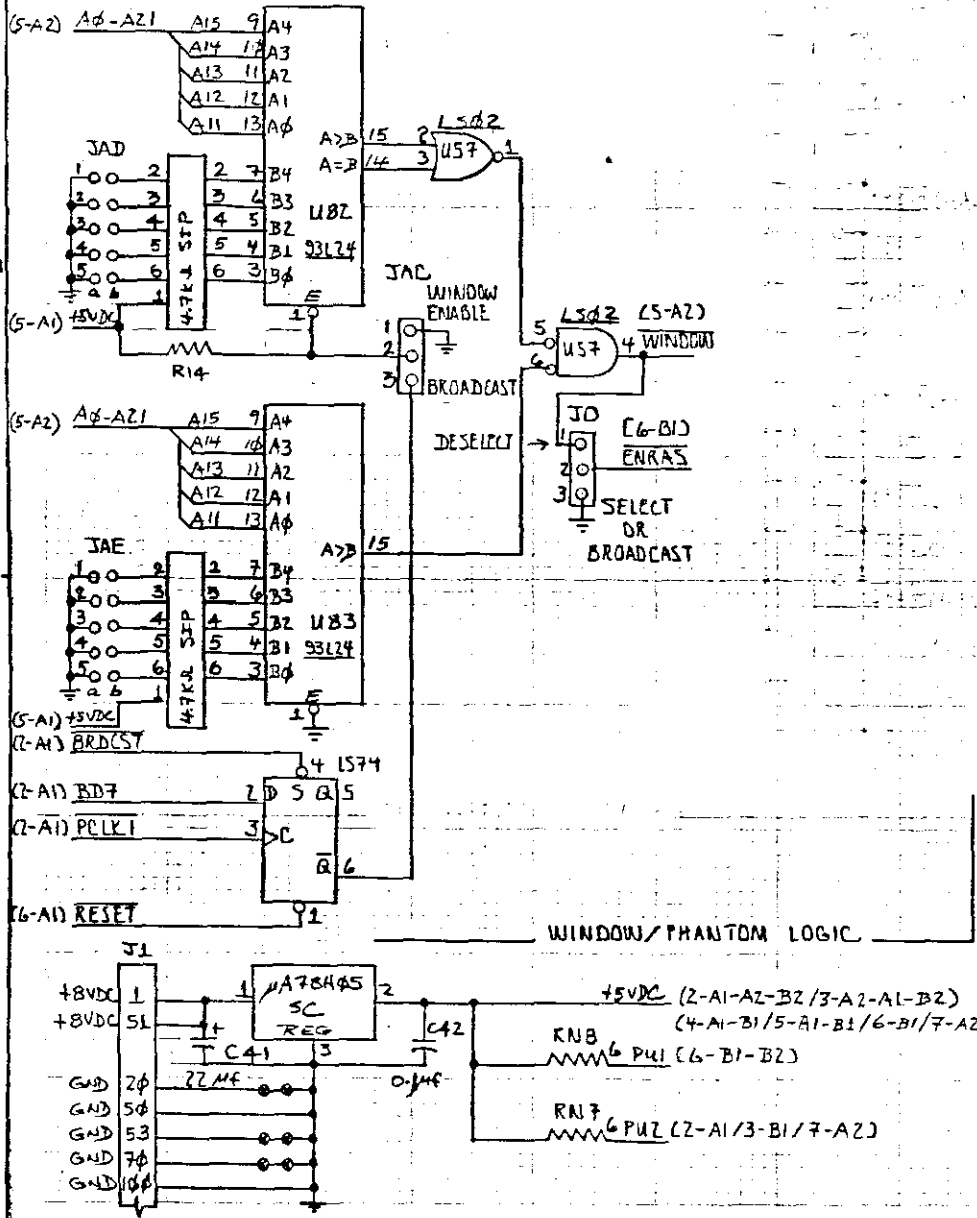


15 JULY 1981 R.F. 220
256 KMB SH 2 OF 7



15 JULY 1981 R.R. [Signature]
 256 KMB SH3 OF 7





15 JULY 1981
 256 KMB SH5 DF 7

(4-B2) SELB
 (4-B2) SELA
 (5-A1) PUL

(6-A2) BPSYMC
 (6-B2) BCLK
 (6-B2) BCLK
 (6-A2) PSTVAL
 (6-B2) PSTVAL
 (5-A1) BSVDC

(6-A2) BSMEMR
 (6-A2) BSOUT
 (6-A2) BSINP
 (6-A2) BSINTA
 (5-B1) BPNRAS
 (5-A2) BPDBIN
 (4-B2) BANKSEL
 (6-A2) BPDBIN
 (6-B2) BSOUT

(6-A2) BPWR
 (6-B2) WELK

(5-A1) PUL

(6-A2) BSM1

(6-A2) BPDBIN

(6-B2) BCLK

(6-B2) BCLK

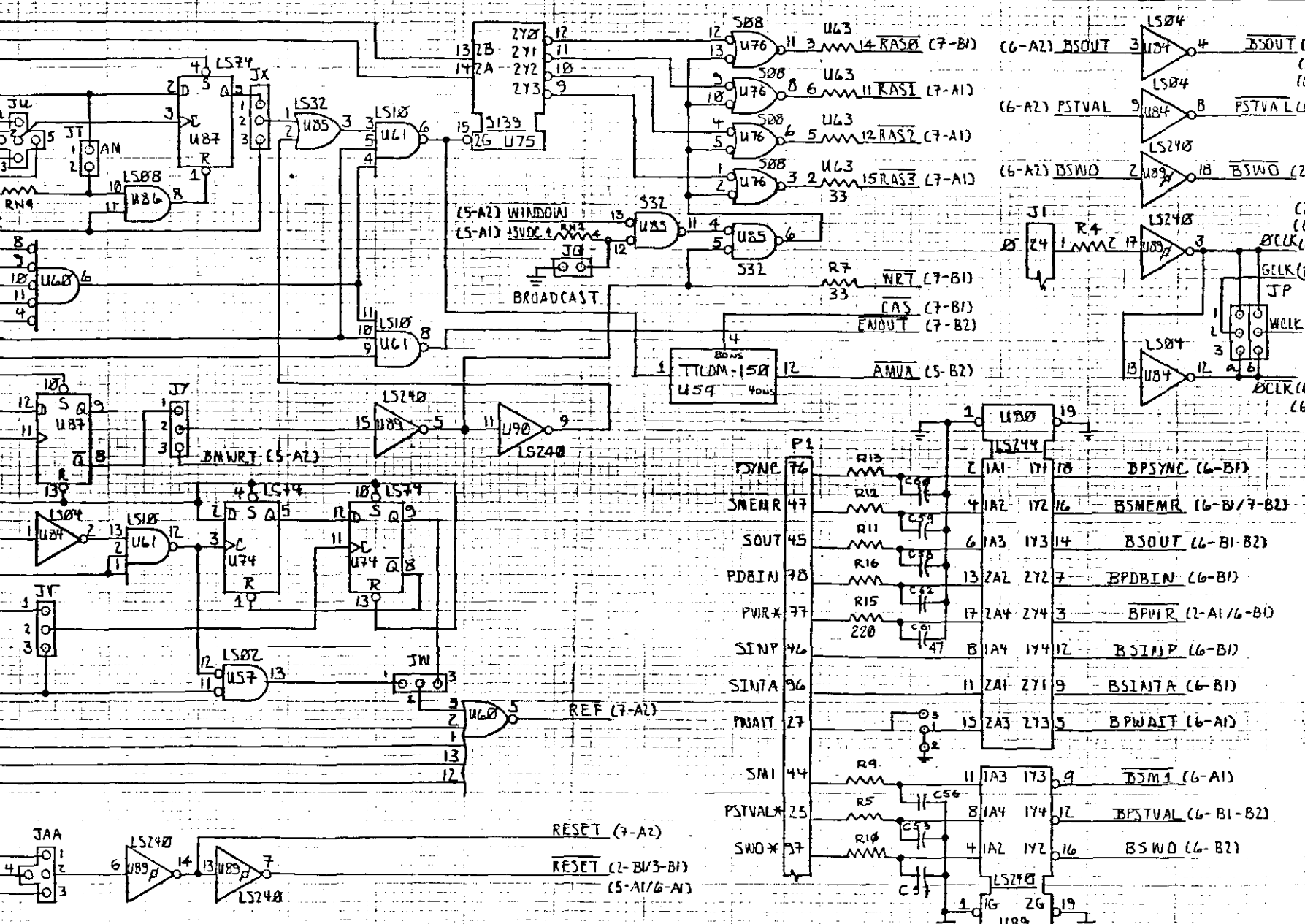
(6-A1) RESET

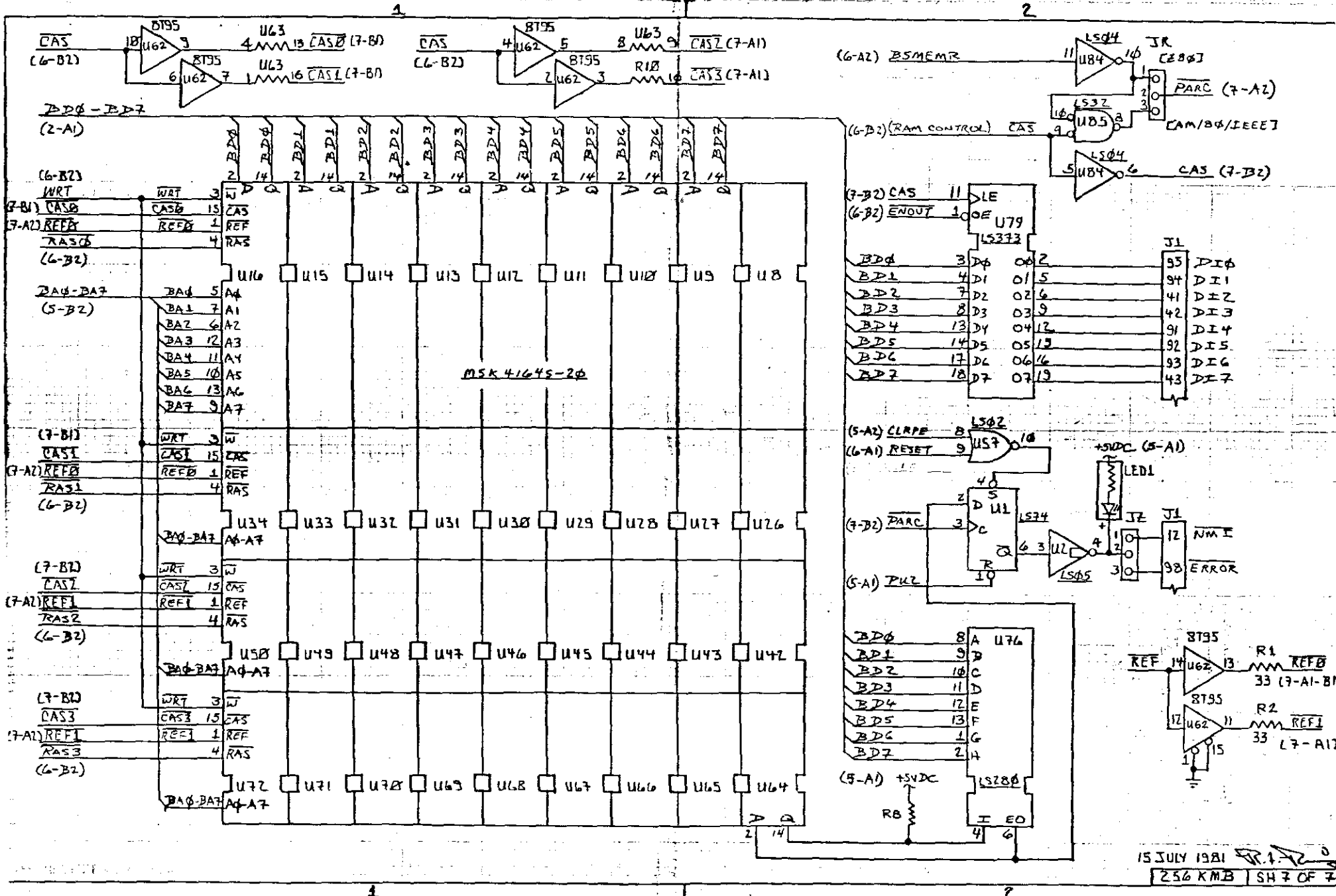
(5-A2) BSRDY

(5-A2) BPRDY

(6-A2) BPWAIT

SLAVECLR*
 RESET*
 POC*





15 JULY 1981 R. A. 120
256 KMB SH 7 OF 7