

DATE 04-06-72

MST-1

BOARD DISCRETE WIRE EQUIVALENT LIST SEQUENCED BY NET NUMBER

PAGE 1

PART NO. 7369618

E.C. NO. 893536

VERSION 000

SIZE SINGLE

MACHINE CHL-TERM

LOCATION 01A-A3

PIN ID: #-I/O PIN
*-I/O & LOGIC
T-TERMINATING RES.
V-VOLTAGE/GROUND

PLANES: 1-CARD SIDE SHALLOW 3-PROBE SIDE SHALLOW
2-PROBE SIDE SHALLOW 4-PROBE SIDE SHALLOW
W-DISCRETE OVERFLOW

WIRE TYPES: YEL-YELLOW, 30, AG
TWL-TWIN LEAD WRAP
TW-TWIST PR CONNECT
FTR-50 OHM TRI-LEAD

NTR-90 OHM TRI-LEAD
FTW-50 OHM TWIN LEAD
NTW-90 OHM TWIN LEAD
CX-COAX CONNECTOR

NOTES: WIRE LENGTH IS IN TENTHS OF AN INCH. YELLOW WIRE LENGTH INCLUDES WIRE FOR WRAP.

NET NO.	FROM PIN	P L	TO PIN	P L	WIRE TYP	WIRE LNPTH	NET NO.	FROM PIN	P L	TO PIN	P L	WIRE TYP	WIRE LNPTH	NET NO.	FROM PIN	P L	TO PIN	P L	WIRE TYP	WIRE LNPTH	
WB170AA2	U3B02	1	P1E11#	1	YEL	9.0															
WB170AA4	U3B03	2	Q1A11#	1	YEL	9.0															
WB170AA6	U4B03	2	U3B04	2	YEL	5.5															
	Q1C11#	1	U4B03	2	YEL	10.0															
WB170AB2	U3B05	2	Q1D11#	1	YEL	9.0															
WB170AB4	U3B07	1	Q1E11#	1	YEL	9.0															
WB170AB6	U3B09	1	R1B11#	1	YEL	9.0															
WB170AC2	U3B10	2	R1C11#	1	YEL	9.0															
WB170AC4	U3B11	1	R1D11#	1	YEL	9.0															
WB170AC6	U3B12	2	S1A11#	2	YEL	9.0															
WB170AD2	U3B13	1	P1E13#	1	YEL	10.0															
WB170AD4	U2B02	2	T1A11#	2	YEL	5.0															
WB170AD6	U2B03	2	T1B11#	1	YEL	5.0															
WB170AE2	T1D11#	1	U2B04	2	YEL	4.5															
WB170AE4	U2B05	2	T1E11#	1	YEL	5.0															
WB170AE6	U1A11#	1	U2B07	2	YEL	5.0															
WB170AF2	U2B09	2	U1C11#	1	YEL	5.5															
WB170AF4	U2B10	2	U1D11#	1	YEL	5.5															
WB170AF6	U1E11#	1	U2B11	2	YEL	6.0															
WB170AG2	V1B11#	2	U2B12	2	YEL	7.0															
WB170AG4	U2B13	1	T1A13#	1	YEL	6.0															
WB170AG6	U3D02	1	Q1D13#	1	YEL	8.0															
WB170AH2	U3D04	2	R1A13#	1	YEL	9.0															
WB170AH4	U3D05	1	R1B13#	1	YEL	8.0															
WB170AH6	U3D06	2	Q1B13#	1	YEL	9.0															
WB170AJ2	U2D02	2	T1C13#	1	YEL	5.0															
WB170AJ4	U2D04	2	T1D13#	1	YEL	5.0															
WB170AJ6	U2D05	2	T1E13#	2	YEL	5.0															
WB170AK2	U1B13#	2	U2D06	2	YEL	5.5															
WB170AK4	U3D07	1	R1C13#	1	YEL	9.0															
WB170AK6	U3D09	1	R1E13#	1	YEL	8.0															
WB170AL2	U3D10	1	Q1C13#	1	YEL	10.0															
WB170AL4	U3D11	2	K1B13#	2	YEL	13.0															
WB170AL6	U1C13#	2	U2D07	2	YEL	5.0															
WB170AM2	U2D09	1	U1D13#	1	YEL	5.0															
WB170AM4	V1A13#	1	U2D10	2	YEL	5.5															
WB170AM6	V1B13#	1	U2D11	2	YEL	5.5															
WB170AN2	U2D12	2	S1A13#	2	YEL	7.0															
WB171AM4	U2C06	2	U2B06	2	YEL	4.0															
WB171AP4	U3C06	2	U3B06	2	YEL	4.0															
WB171AR4	S4B06	V 2	U4B06	1	YEL	5.0															
XB100GL4	U4D03	2	U4B13	2	YEL	5.0															
XB100GP4	U4D02	2	U4B05	2	YEL	4.0															
	U4B05	2	U4D08	2	YEL	4.0															

END OF LIST

OK

DATE 04-06-72

PAGE 3

PART NO.	7369618	E.C. NO.	893636	VERSION 000	SIZE SINGLE	MACHINE	CHL-TERM	LOCATION 01A-A3	
Q6E04	GND	R1A11	GND	R1D13	GND	R1E11	GND	R2D08	GND
R3D08	GND	R4D08	GND	R5D08	GND	R6A02	GND	R6D04	GND
R6E02	GND	S1C10	GND	S1D13	GND	S2D08	GND	S3D08	GND
S4D08	GND	S5D08	GND	S6C02	GND	S6D05	GND	T1B13	GND
T1C11	GND	T2C03	GND	T2C04	GND	T2C07	GND	T2C11	GND
T2C12	GND	T2D08	GND	T3C03	GND	T3C04	GND	T3C07	GND
T3C11	GND	T3C12	GND	T3D08	GND	T4C03	GND	T4C04	GND
T4C07	GND	T4C11	GND	T4C12	GND	T4D08	GND	T5C03	GND
T5C04	GND	T5C07	GND	T5C11	GND	T5C12	GND	T5D08	GND
T6B04	GND	T6C02	GND	U1A13	GND	U1B11	GND	U1E13	GND
U2C03	GND	U2C04	GND	U2C07	GND	U2C11	GND	U2C12	GND
U2D08	GND	U2E14	GND	U3A01	GND	U3C03	GND	U3C04	GND
U3C07	GND	U3C11	GND	U3C12	GND	U3D08	GND	U3E14	GND
U4A01	GND	U4C03	GND	U4C04	GND	U4C07	GND	U4C11	GND
U4C12	GND	U4D08	GND	U4E14	GND	U5A01	GND	U5C03	GND
U5C04	GND	U5C07	GND	U5C11	GND	U5C12	GND	U5D08	GND
U6A04	GND	U6B02	GND	U6E04	GND	V1A11	GND	V2C03	GND
V2C04	GND	V2C07	GND	V2C11	GND	V2C12	GND	V2D08	GND
V3C03	GND	V3C04	GND	V3C07	GND	V3C11	GND	V3C12	GND
V3D08	GND	V4C03	GND	V4C04	GND	V4C07	GND	V4C11	GND
V4C12	GND	V4D08	GND	V5C03	GND	V5C04	GND	V5C07	GND
V5C11	GND	V5C12	GND	V5D08	GND	V6A02	GND		

FOR ANY VOLTAGE PIN NOT INDICATED IN THE VOLTAGE PIN LIST, USE THE NET NUMBER TO LOCATE THE ALD PAGE FOR DETERMINING THE VOLTAGE INFORMATION

END OF LIST

SOLID LOGIC DESIGN AUTOMATION--SOCKET LISTING

CONNECTOR	WB174	01	02	03	04	05	06
H1	A11	WB171AF4					
	A13	WB171AF2					
	B11	WB171AF6					
	C13	WB171AK4					
	D11	WB171AG2					
	D13	WB171AK6					
	E11	WB171AG4					
	E13	WB171AK2					

M1	A11	WB171AG6					
	B13	WB171AH2					
	C11	WB171AL2					
	D11	WB171AL4					
	E11	WB171AD2					

K1	B11	WB171AD4					
	B13	WB170AL4					

L1	D11	WB171AR2					
	D13	WB171AD6					

M1	A13	WB171AE2					
	B11	WB171AG6					
	B13	WB171AE4					
	C11	WB171AB2					
	C13	WB171AE6					
	D11	WB171AB4					
	E11	WB171AA4					
	E13	WB171AH4					

N1	A11	WB171AB6					
	A13	WB171AH6					
	B11	WB171AC2					
	B13	WB171AJ2					
	C11	WB171AC4					
	D13	WB171AJ4					
	E11	WB171AC6					
	E13	WB171AJ6					

P1	E11	WB170AR2					
	E13	WB17JAD2					

Q1	A11	WB170AA4					
	B13	WB170AH6					
	C11	WB170AP6					
	C13	WB170AL2					
	D11	WB170AE2					
	D13	WB170AG6					
	E11	WB170AB4					

R1	A13	WB170AH2					
	B11	WB170AB6					
	B13	WB170AH4					
	C11	WB170AC2					
	C13	WB170AK4					
	D11	WB170AC4					
	E13	WB170AK6					

S1	A11	WB170AC6					
	A13	WB170AN2					

T1	A11	WB170AD4					
	A13	WB170AG4					
	B11	WB170AD6					
	C13	WB170AJ2					
	D11	WB170AE2					
	D13	WB170AJ4					
	E11	WB170AE4					
	E13	WB170AJ6					

U1	A11	WB170AE6					
	B13	WB170AK2					
	C11	WB170AF2					
	C13	WB170AL6					
	D11	WB170AF4					
	D13	WB170AM2					
	E11	WB170AF6					

U2	SINGLE CARD 8213789 1945						
A	WB172	01	02	03	04	05	06
1		07	08	09	0A	0B	0C
0		0D	0E	0F	0G	0H	0J
5		0K	0L				

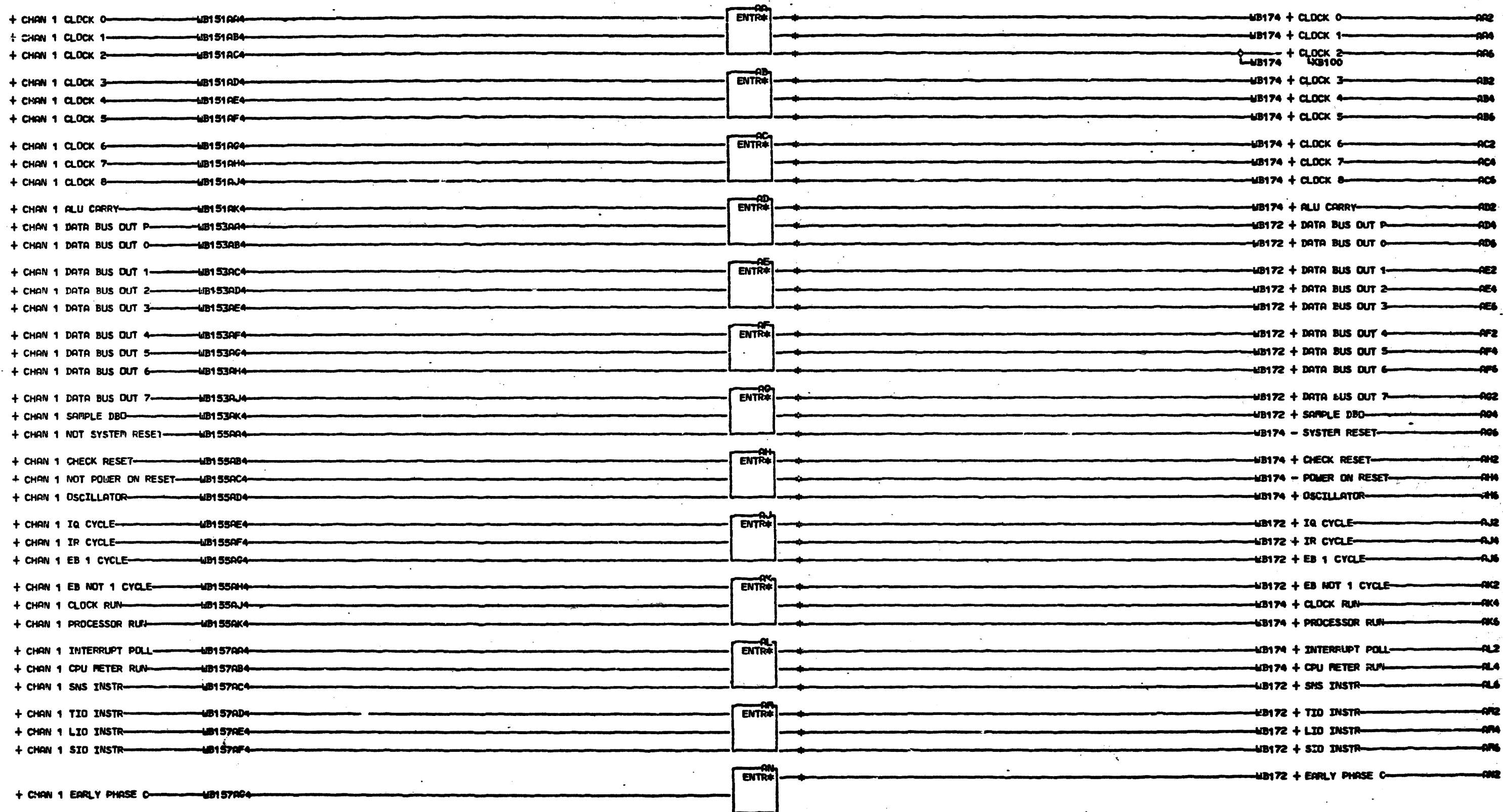
U3	SINGLE CARD 8213789 1945						
5U3							

CONNECTOR	WB170	01	02	03	04	05	06
U4	A13	WB170AA4					
	B11	WB170AG2					
	B13	WB170AR6					

PLUG LIST							TOTAL
PART NO	ACC	TYPE	SOCKETS				
8213789	1945	U4	U2	U3			01
	CONN	H1	J1	K1	L1		02
		M1	M1	P1	Q1		13
		R1	S1	T1	U1		

SOCKET LISTING
 DATE 03-19-75 PACH. CHL-TERM
 LDC 5126 BOARD 01A-A3
 PREV. ENGR. - -
 PRES. ENGR. 05-30-75 824930
 P.No. 5558738
 IBM CORP. SDD BLK.

1087

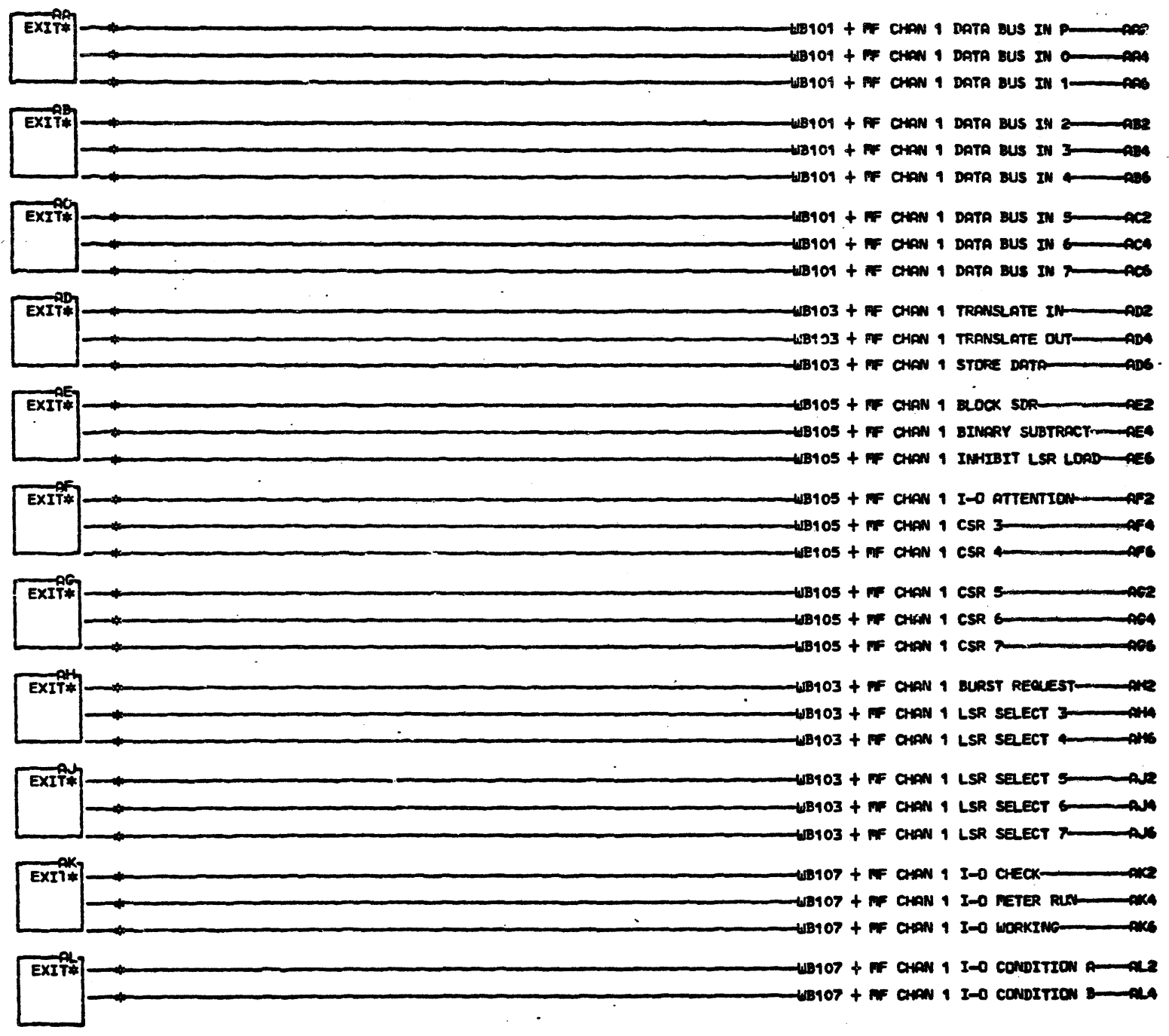
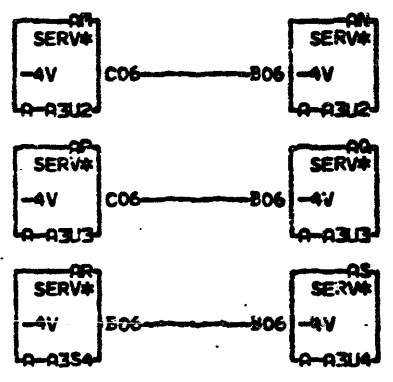


AA2 A-A3P1E11 AD2 A-A3P1E13 AG2 A-A3V1D11 AK2 A-A3U1D13 AN2 A-A3S1A13
 AA4 A-A3Q1A11 AD4 A-A3T1A11 AG4 A-A3T1A13 AK4 A-A3R1C13
 AA6 A-A3Q1C11 AD6 A-A3T1B11 AG6 A-A3Q1D13 AK6 A-A3R1E13
 AB2 A-A3Q1D11 AE2 A-A3T1D11 AH2 A-A3R1A13 AL2 A-A3Q1C13
 AB4 A-A3Q1E11 AE4 A-A3T1E11 AH4 A-A3R1D13 AL4 A-A3K1B13
 AB6 A-A3R1B11 AE6 A-A3U1A11 AH6 A-A3Q1B13 AL6 A-A3U1C13
 AC2 A-A3R1C11 AF2 A-A3U1C11 AJ2 A-A3T1C13 AM2 A-A3U1D13
 AC4 A-A3R1D11 AF4 A-A3U1D11 AJ4 A-A3T1D13 AM4 A-A3V1A13
 AC6 A-A3S1A11 AF6 A-A3U1E11 AJ6 A-A3T1E13 AM6 A-A3V1B13

LOC. TYPE

CHANNEL ENTRY PAGE	
E-Co-HISTORY	3 PAGE CHL-TERM
DATE	LAST EC
04-15-72	893636
IBR CORP. OSD	000
P.No. 2443221	

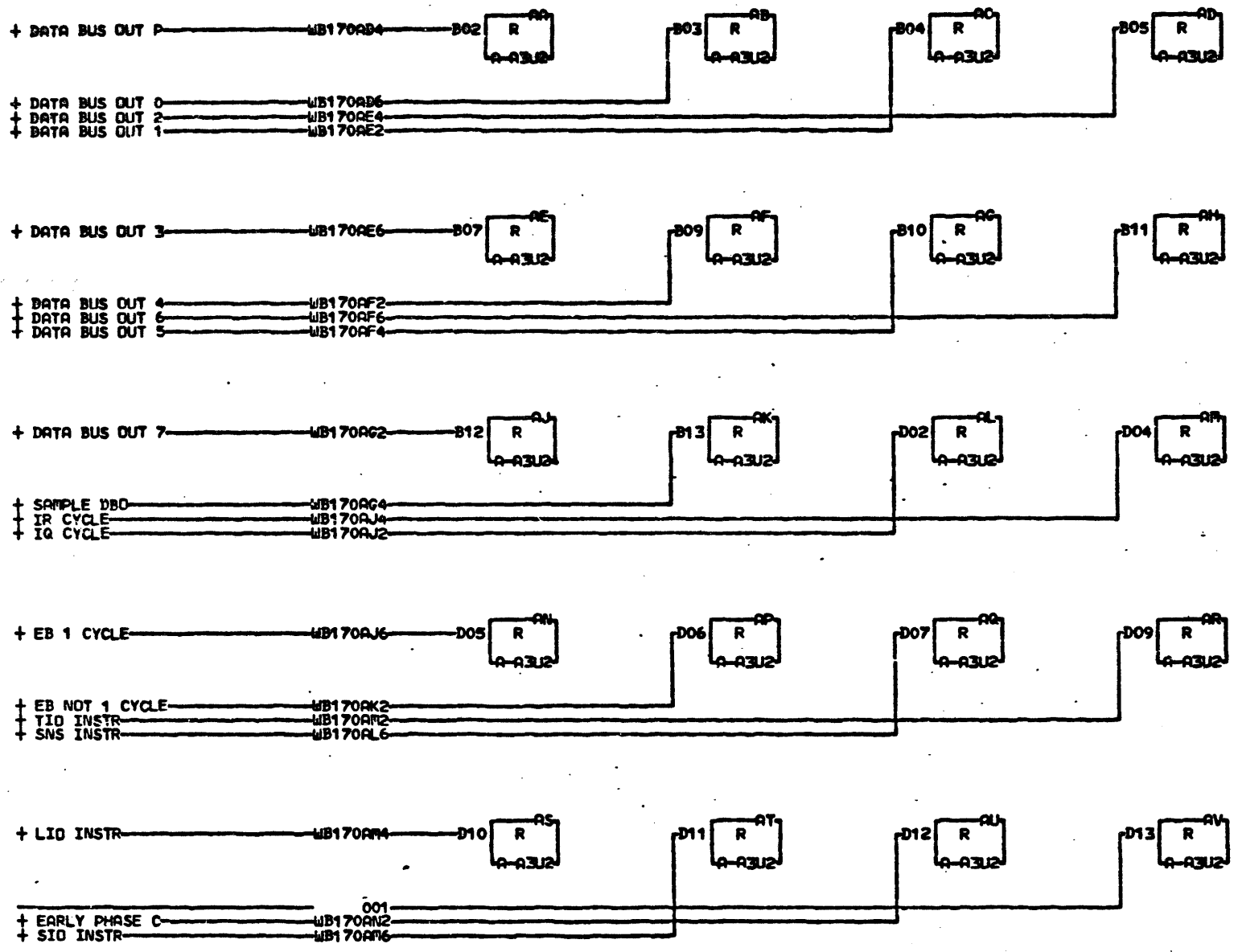
WB170
000



AA2	A-A3L1D11	AD2	A-A3J1E11	AG2	A-A3M1D11	AK2	A-A3M1E13
AA4	A-A3M1E11	AD4	A-A3K1B11	AG4	A-A3M1E11	AK4	A-A3M1C13
AA6	A-A3M1B11	AD6	A-A3L1D13	AG6	A-A3M1A11	AK6	A-A3M1D13
AB2	A-A3M1C11	AE2	A-A3M1A13	AH2	A-A3M1B13	AL2	A-A3M1C11
AB4	A-A3M1D11	AE4	A-A3M1B13	AH4	A-A3M1E13	AL4	A-A3J1D11
AB6	A-A3M1A11	AE6	A-A3M1C13	AH6	A-A3M1A13		
AC2	A-A3M1B11	AF2	A-A3M1A13	AJ2	A-A3M1B13		
AC4	A-A3M1C11	AF4	A-A3M1A11	AJ4	A-A3M1D13		
AC6	A-A3M1E11	AF6	A-A3M1B11	AJ6	A-A3M1E13		

LOC. TYPE

CHANNEL EXIT PAGE	
E.C. - HISTORY	B. RACH. CHL. - TERM
DATE LAST EC	FRAME 01
04-15-72 893636	IER CORP. 6SD
	P.No 2443222

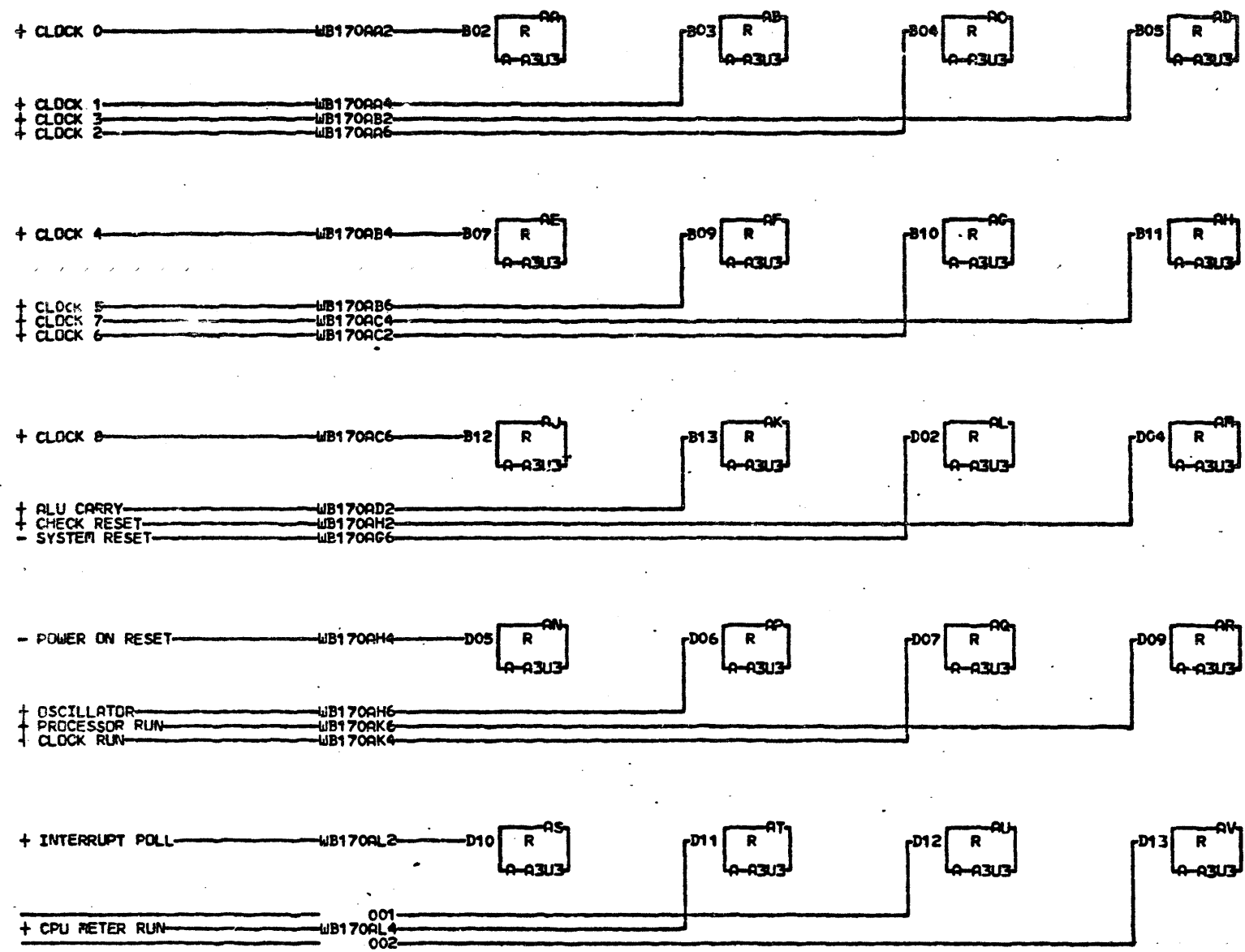


LDC. TYPE
A-A3U2 1945

CHANNEL TERMINATOR CARD	
—EoC—HISTORY—	—ARCH. CHL—TERM—
DATE	LAST EC
04-15-72	893636
FRAME	01
IBM CORP.	630
P.O. No.	244323

000

000

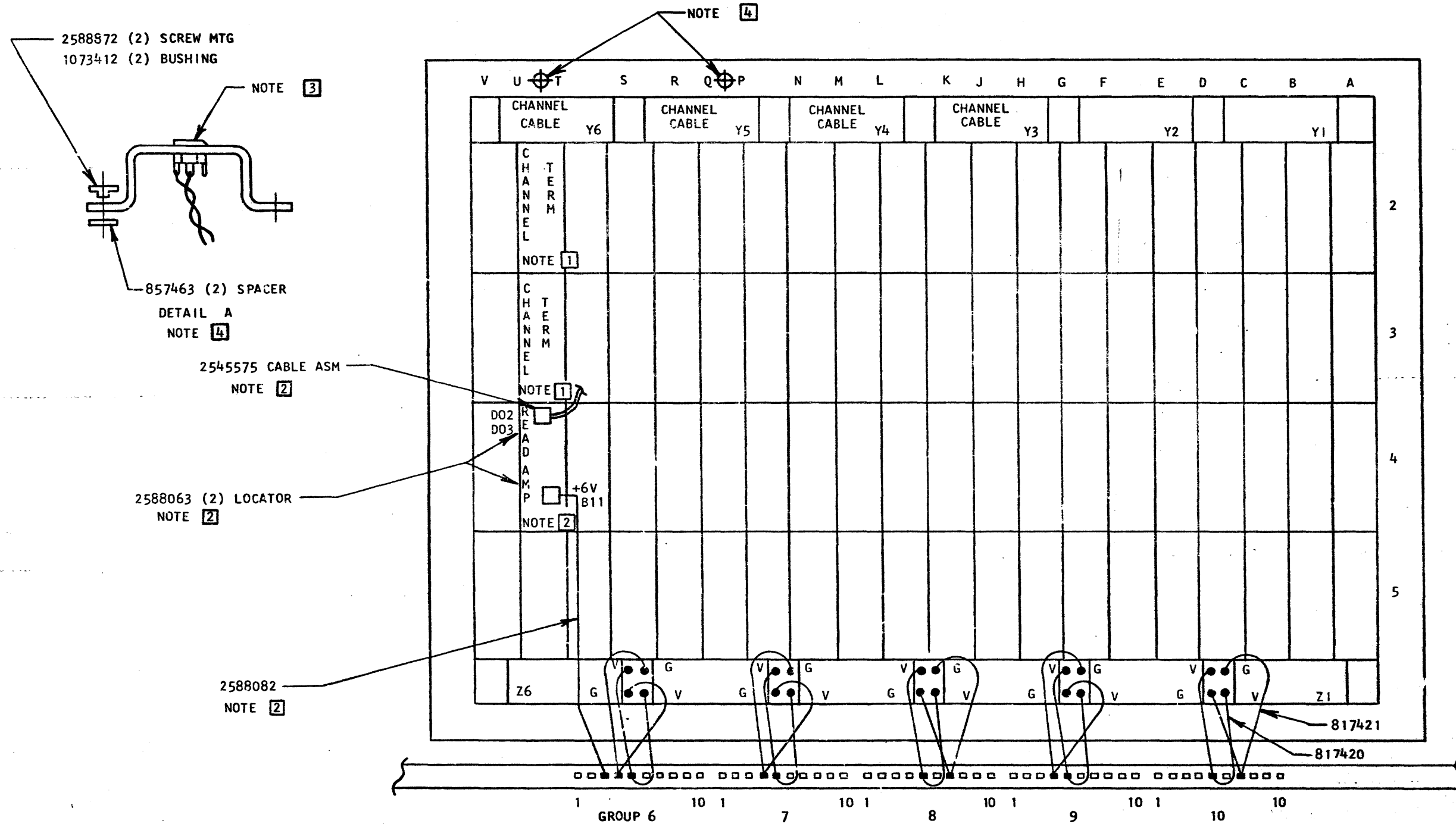


LOC. TYPE
A-A3U3 1945

CHANNEL TERMINATOR CARD	
E-C-HISTORY	B-MCH-CHL-TERM
FRAME 01	IBM COMP. GSD
DATE LAST EC 04-15-72 893636	Part No. 2443224

47-158

47-158



2588572 (2) SCREW MTG
1073412 (2) BUSHING

NOTE 3

857463 (2) SPACER

DETAIL A
NOTE 4

2545575 CABLE ASM

NOTE 2

2588063 (2) LOCATOR

NOTE 2

2588082

NOTE 2

B06 -4 VOLTS
B08 REF
DO8 GND

NOTES:

- 1 CARD P/N 8213789 - (PRESENT FOR BOTH CASSETTE AND DISKETTE FEATURES)
- 2 CARD P/N 8218196 AND CABLING - (PRESENT FOR CASSETTE FEATURE ONLY)
- 3 CASSETTE JACK MOUNTING MUST BE ISOLATED FROM MACHINE GROUND
- 4 DETAIL 'A' TO BE MOUNTED IN NOTED HOLES (CASSETTE FEATURE ONLY)

EC HISTORY		DRAWING TITLE	
19MAR75	824928	CONNECTOR CHART FOR OIA-A3	
19JUN75	824930	MACH	5415 CHANNEL TERMINATE
09AUG75	825056	PART NO	4234203
C	258 3-17-75	CLASSIFICATION	
	18 SEPT 75	824931	IBM CORP

Z
A
1
1
3