



**System/23
5322/5324
Computer**

**Maintenance Library
Incident
Reporting Guide**

Z229-8153-01

The drawings and specifications contained herein shall not be reproduced in whole or in part without written permission.

IBM has prepared this manual for the use of IBM Customer Engineers in the installation, maintenance and repair of the specific products indicated. IBM makes no representations that it is suitable for any other purpose.

Information contained in this manual is subject to change from time to time. Any such change will be reported in subsequent revisions or distributed through Customer Engineer Memorandums (CEMs) to all subscribers.

Requests for copies of IBM publications should be made to your IBM representative or to the IBM Branch Office servicing your locality.

Comments about the publications may be addressed to the product source. IBM may use or distribute any of the information you supply in any way it believes appropriate without incurring any obligation whatever. You may, of course, continue to use the information you supply.

It is possible that this material may contain reference to, or information about, IBM products (machines and programs), programming, or services that are not announced in your country. Such references or information must not be construed to mean that IBM intends to announce such IBM products, programming, or services in your country.

©Copyright International Business Machines Corporation 1982

TABLE OF CONTENTS

MAJOR		PAGE
	ACTIVITY CODES	2
	ACTIVITY CODES (NTF)	3
001	Base-5322	4
002	Base-5324	5
050	CRT Display	7
870	Customer Responsibility	16
823	Diskette Drive (31SD)	12
825	Diskette Drive (51TD)	14
040	Keyboard	6
3XX	Logic	8
340	Microcode	9
	No Trouble Found Symptom Codes	3
600	Power-Ferroresonant	10
601	Power-TSR	11
900	RPQ	16
100	Teleprocessing	8

**NO TROUBLE FOUND SYMPTOM CODES
(USE IN PLACE OF CAUSE/ACTIVITY CODES)**

- 01 Blank Screen**
- 02 Blows Fuses**
- 04 Intensity Changes**
- 05 Keyboard Inoperative**
- 06 Key Sticky**
- 07 No Interrupt**
- 08 No IPL**
- 09 No Record Found**
- 10 Noise-Audible**
- 11 Noise-Electrical**
- 12 Not Ready**
- 13 Not Able to Establish Data Communications**
- 14 Overheats**
- 15 Poor Quality**
- 16 Power Failure**
- 18 Program Loop**
- 19 Read Error**
- 20 Seek Error**
- 17 Trap Errors**
- 21 Unstable**
- 22 Write Error**
- 23 Wrong Output**
- 00 Other (Explain)**

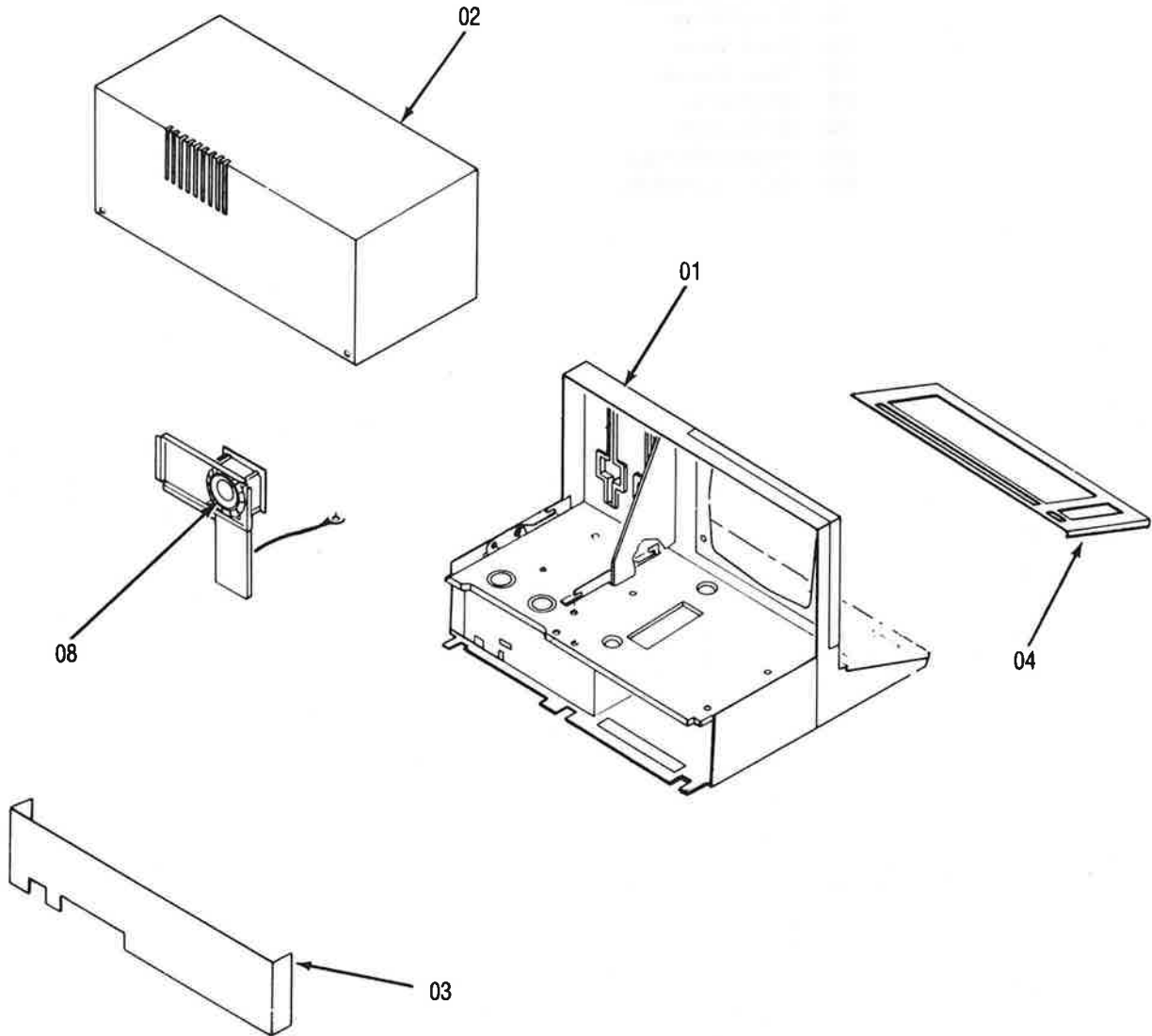
BASE

MAJOR

001 Base 5322

MINOR

- 08 Fan
- 04 Keyboard Cover
- 09 Mounting Hardware
- 01 Panel Assembly
- 03 Rear Cover
- 02 Top Cover
- 00 Other (Explain)



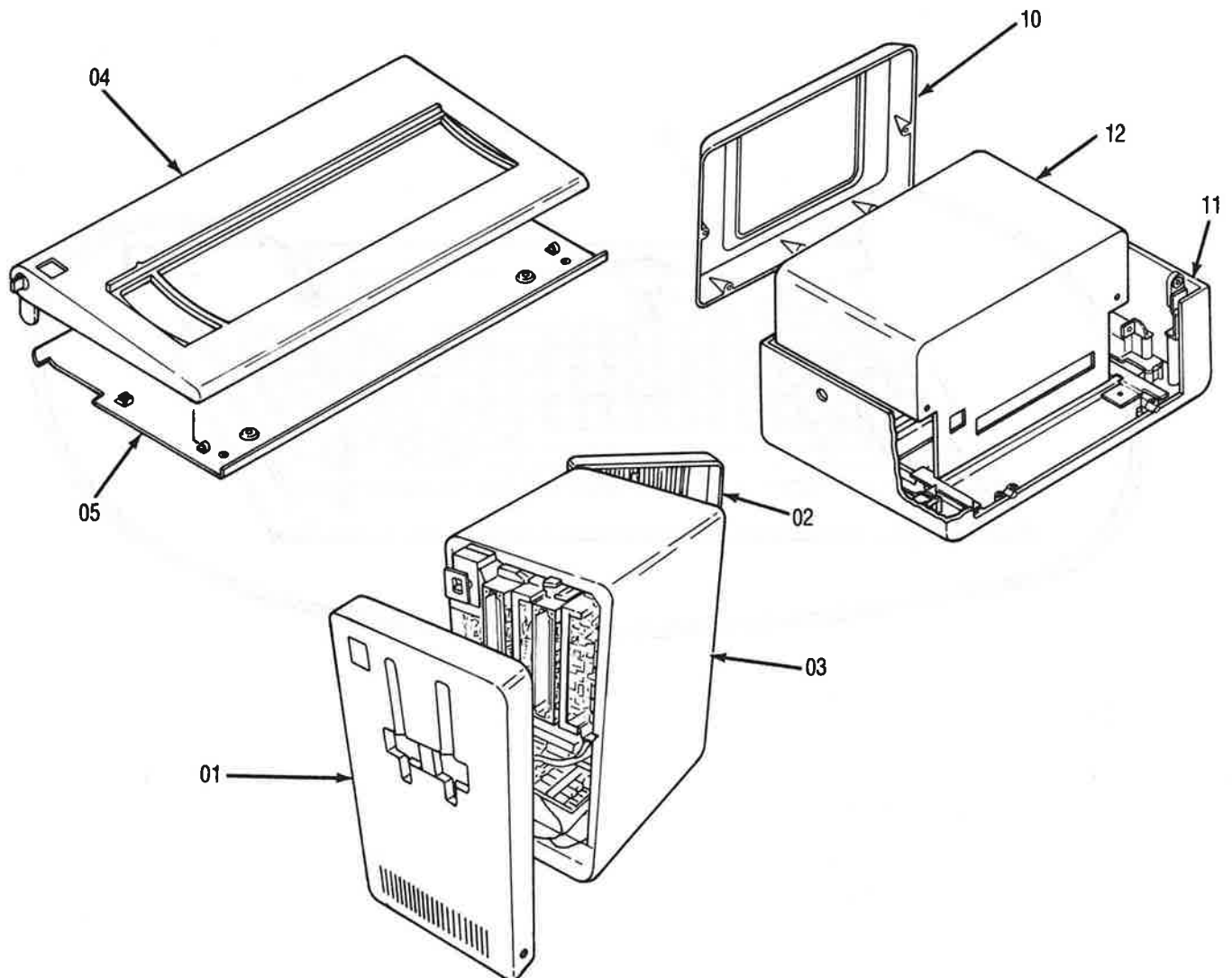
BASE

MAJOR

002 Base-5324

MINOR

- 10 CRT Front Bezel
- 11 CRT Lower Cover
- 12 CRT Top Cover
- 03 Enclosure Cover
- 08 Fan
- 01 Front Cover
- 04 Keyboard Top Cover
- 05 Keyboard Bottom Cover
- 09 Mounting Hardware (Except CRT Display)
- 02 Rear Cover
- 00 Other (Explain)



KEYBOARD

MAJOR

040 Keyboard

MINOR

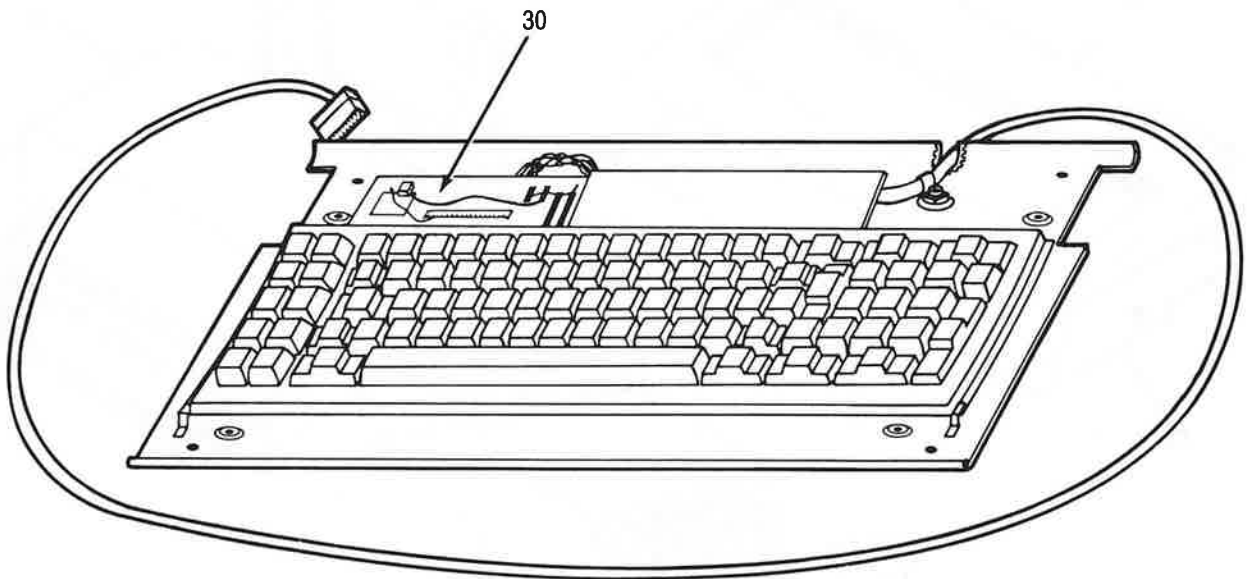
30 Driver/Receiver Card (5324 Only)

82 Cables/Connectors

93 No Trouble Found

99 Unit Replacement (Without Card/Cables)

00 Other (Explain)



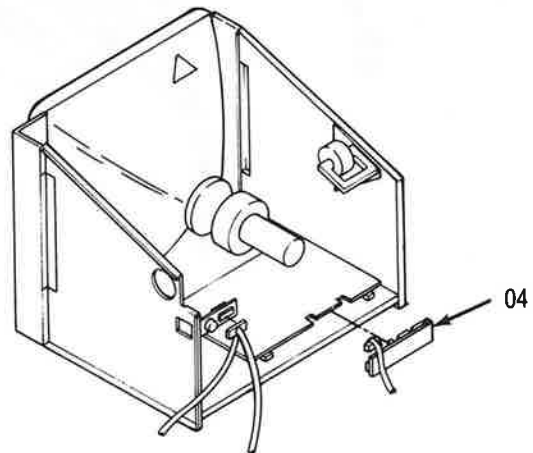
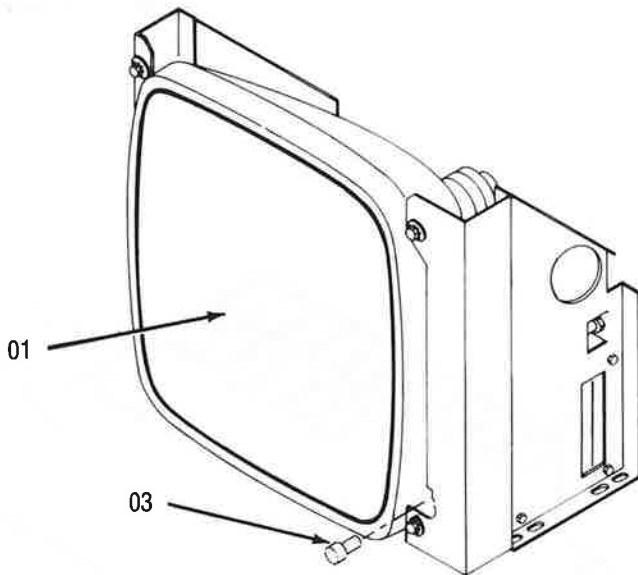
CRT DISPLAY

MAJOR

050 CRT Display

MINOR

- 01 Display Assembly
- 04 Driver/Receiver Card (5324 Only)
- 02 Fuse/Holder
- 03 Knob
- 09 Tilt/Raise/Mounting Hardware (5324 Only)
- 82 Cables/Connectors
- 93 No Trouble Found
- 99 Unit Replacement (Without Card/Cables)
- 00 Other (Explain)



LOGIC/TELEPROCESSING

MAJOR

100 Teleprocessing

MINOR

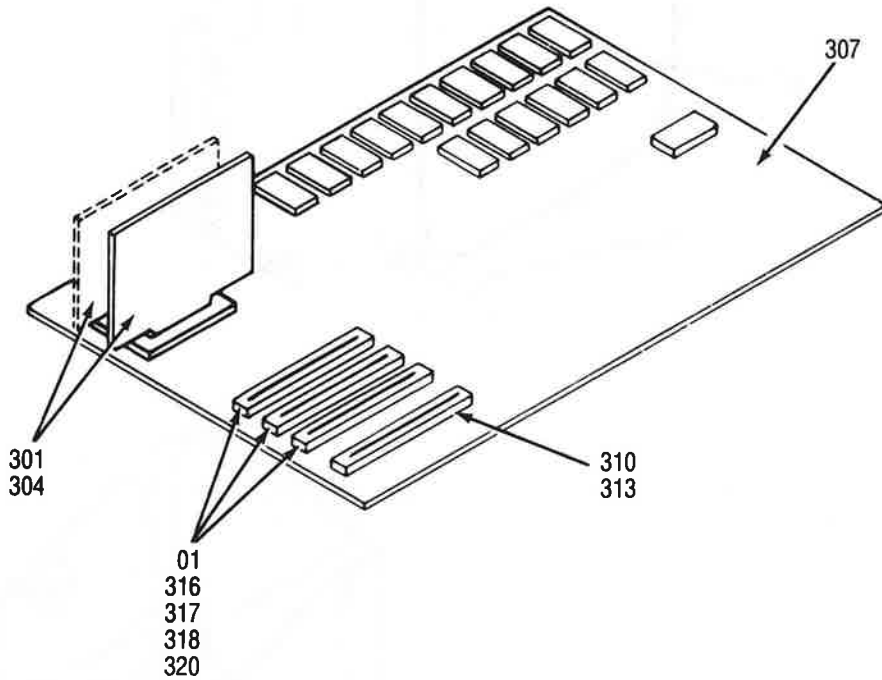
- 01 Communications Card**
- 82 Cables/Connectors**
- 93 No Trouble Found**
- 00 Other (Explain)**

MAJOR

- 301 32K Card**
- 304 64K Card**
- 310 2 Drive Diskette Attachment**
- 313 4 Drive Diskette Attachment**
- 307 CPU Planar**
- 317 Machine Update (IMF) Card**
- 316 Second Printer Attachment**
- 320 SIA Attachment**
- 318 Word Processing Card**

MINOR

- 82 Cables/Connectors**
- 93 No Trouble Found**
- 99 Unit Replacement**
- 00 Other (Explain)**



MICROCODE

MAJOR

340 Microcode

MINOR

- 01 Customer Support Function Diskette
- 02 Diagnostic Diskette
- 03 Processor/Basic Interpreter (ROS)
- 04 Teleprocessing Diskette
- 05 Wordprocessing Diskette
- 93 No Trouble Found
- 00 Other (Explain)

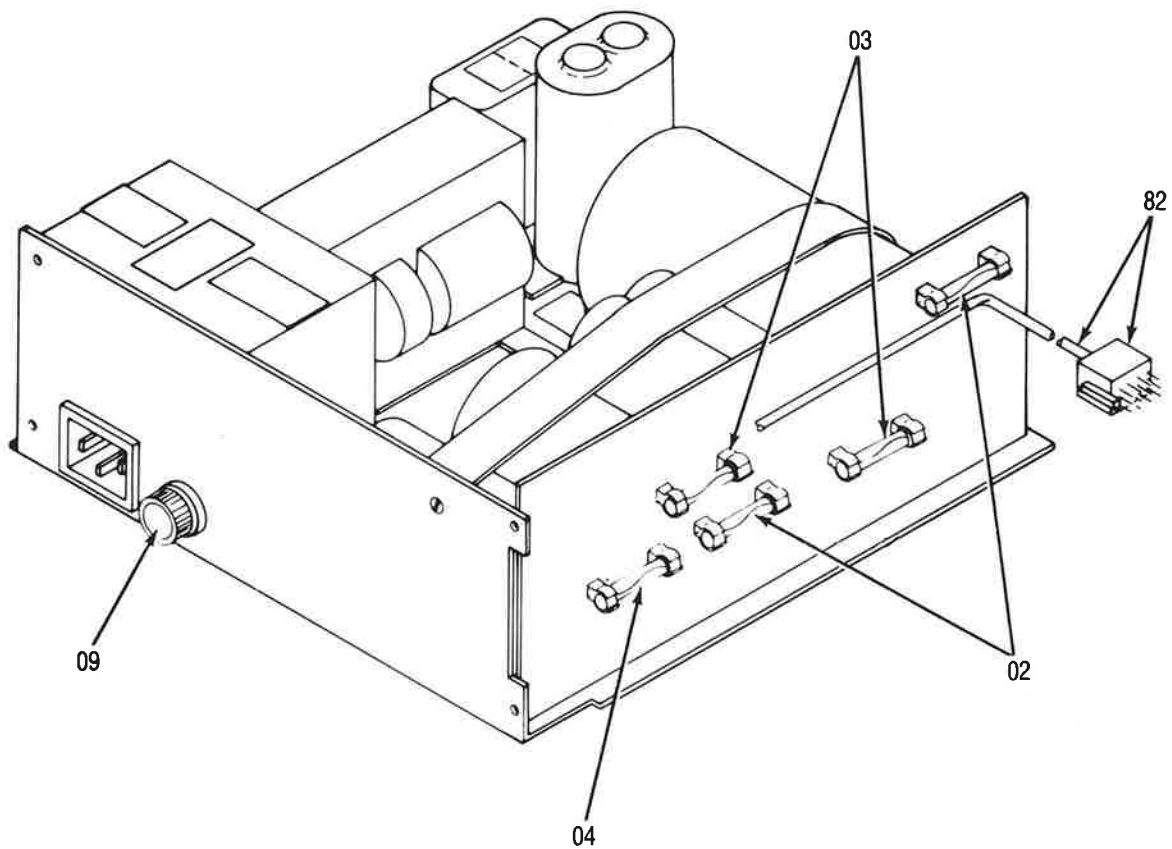
POWER-FERRORESONANT SUPPLY

MAJOR

600 Power-Ferroresonant Supply

MINOR

- 02 Fuse/5V
- 03 Fuse/12V
- 04 Fuse/24V
- 09 Fuse/A.C.
- 05 Line Cord
- 07 Switch (On-Off)
- 82 Cables/Connectors
- 93 No Trouble Found
- 99 Unit Replacement
- 00 Other (Explain)



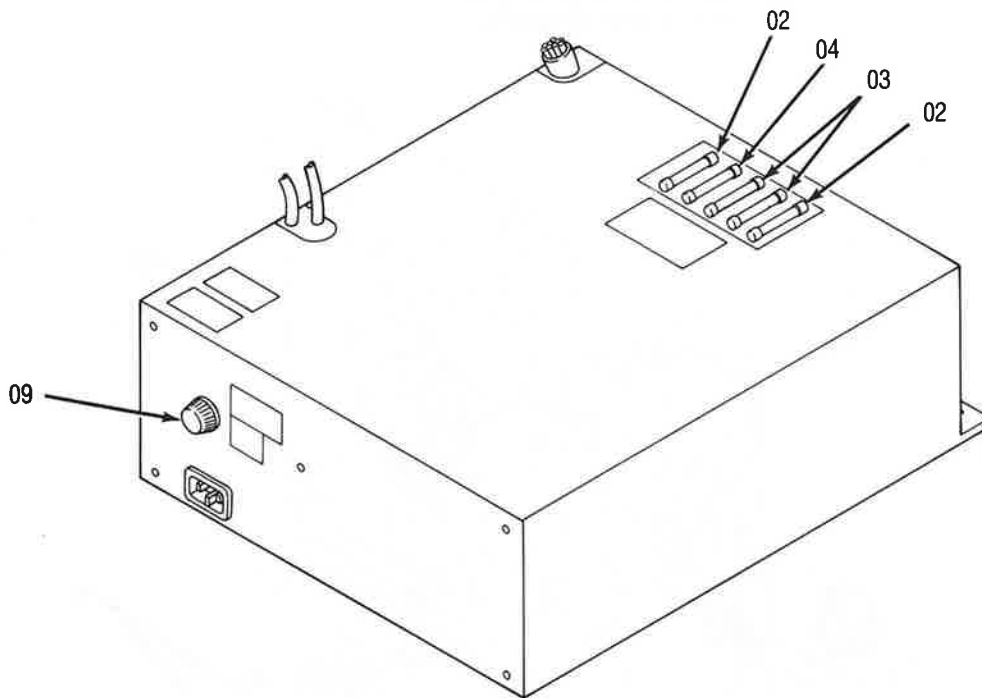
POWER-TRANSISTOR SWITCHING REGULATED (TSR)

MAJOR

601 Power-Transistor Switching Regulated (TSR)

MINOR

- 02 Fuse/5V
- 03 Fuse/12V
- 04 Fuse/24V
- 09 Fuse/A.C.
- 05 Line Cord
- 07 Switch (ON-OFF)
- 82 Cables/Connectors
- 93 No Trouble Found
- 99 Unit Replacement
- 00 Other (Explain)



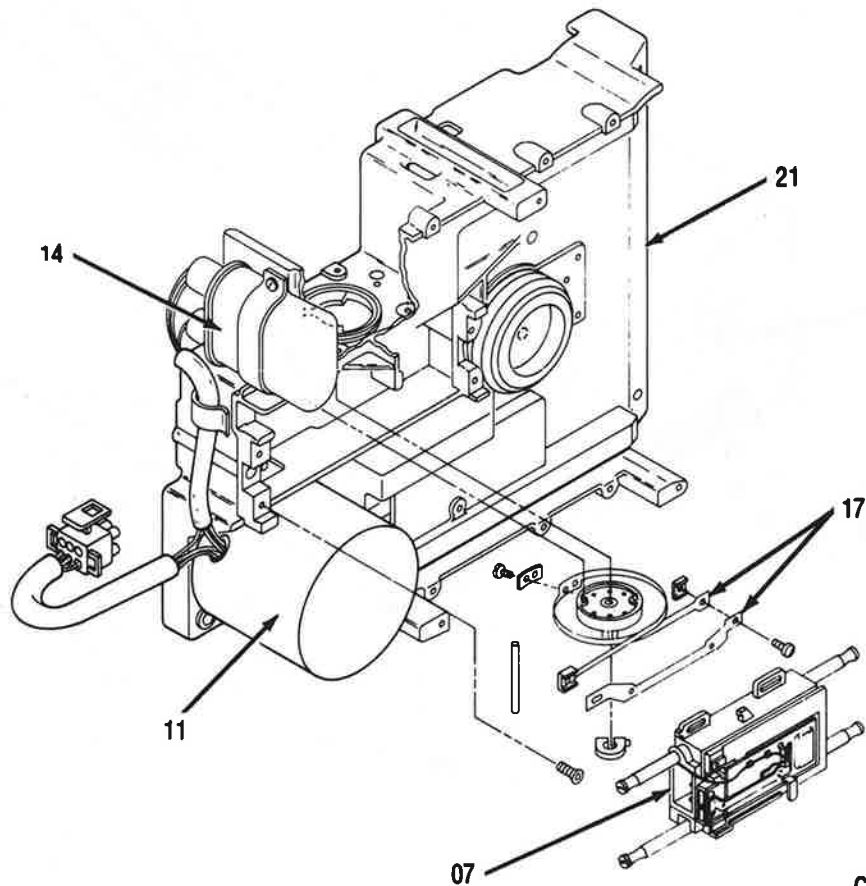
DISKETTE DRIVE (31SD)

MAJOR

823 Diskette Drive (31SD)

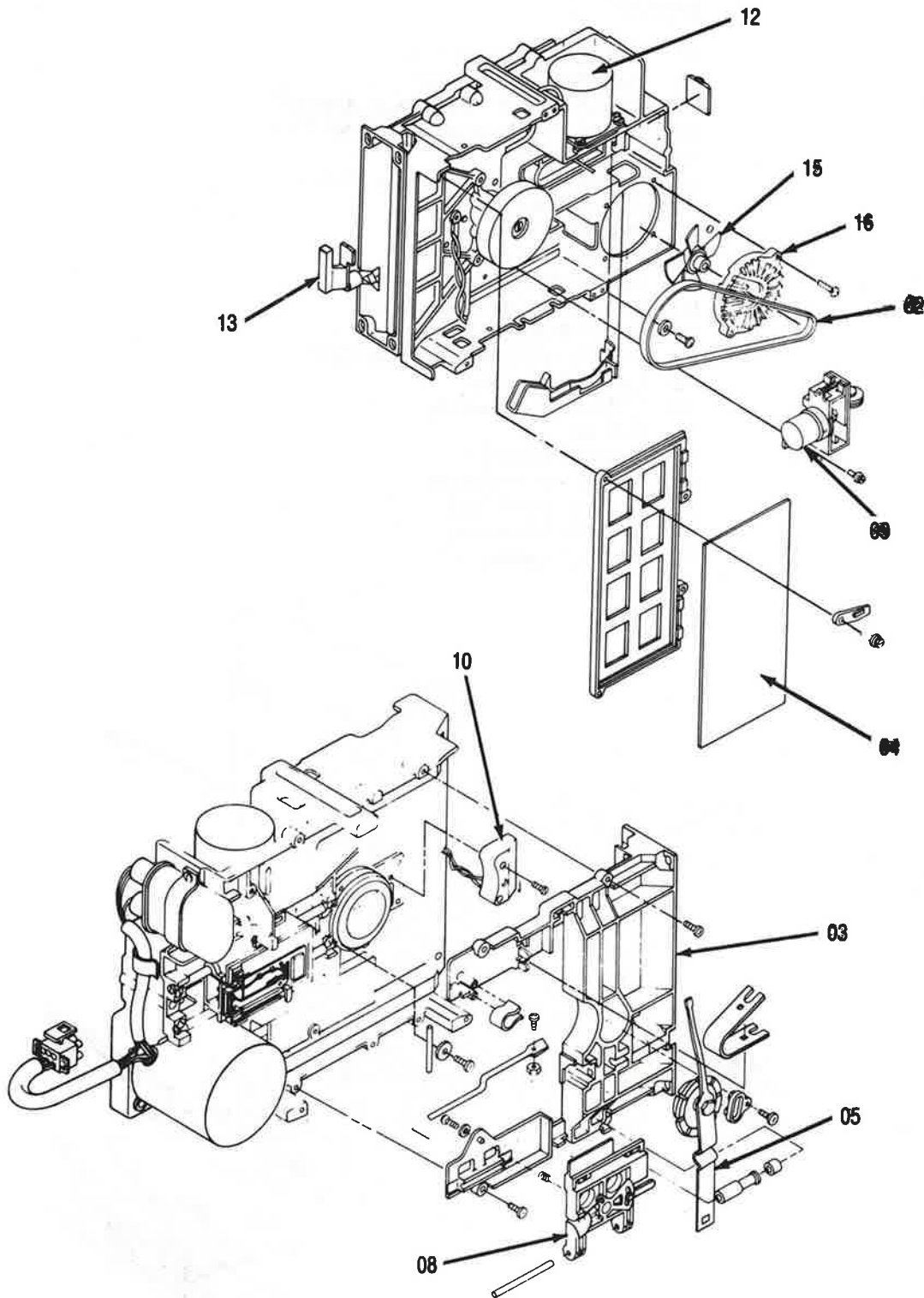
MINOR

- 11 A.C. Drive Motor
- 17 Band/Pulley/Clamp
- 14 Capacitor Assembly, A.C. Motor
- 05 Collet/Flat Spring Assembly
- 04 Control Card
- 21 Diskette Drive Assembly
- 03 Diskette Guide
- 02 Drive Belt
- 16 Fan Enclosure
- 15 Fan/Pulley Assembly
- 07 Head Carriage Assembly
- 08 Head Load Bail Assembly
- 09 Head Load Solenoid Assembly
- 13 Latch Assembly
- 10 LED/PTX Assembly
- 18 Shield
- 12 Stepper Motor
- 82 Cables/Connectors
- 93 No Trouble Found
- 99 Unit Replacement
- 00 Other (Explain)



CONTINUED ON 13

823 DISKETTE DRIVE (31SD)



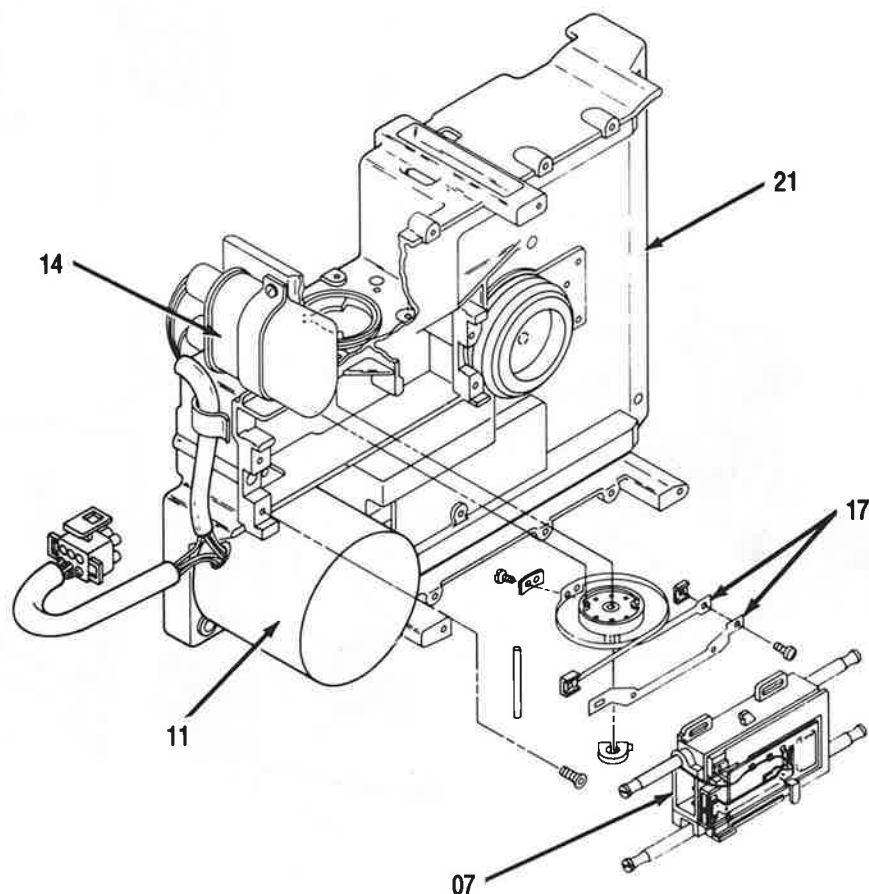
DISKETTE DRIVE (51TD)

MAJOR

825 Diskette Drive (51TD)

MINOR

- 11 A.C. Drive Motor
- 17 Band/Pulley/Clamp
- 14 Capacitor Assembly, A.C. Motor
- 05 Collet/Flat Spring Assembly
- 04 Control Card
- 21 Diskette Drive Assembly
- 03 Diskette Guide
- 02 Drive Belt
- 16 Fan Enclosure
- 15 Fan/Pulley Assembly
- 07 Head Carriage Assembly
- 08 Head Load Bail Assembly
- 09 Head Load Solenoid Assembly
- 13 Latch Assembly
- 10 LED/PTX Assembly
- 18 Shield
- 12 Stepper Motor
- 82 Cables/Connectors
- 93 No Trouble Found
- 99 Unit Replacement
- 00 Other (Explain)



CONTINUED ON 15

CUSTOMER RESPONSIBILITY/RPQ

MAJOR

870 Customer Responsibility (Use With Service Code 14 and 30 Only)

MINOR

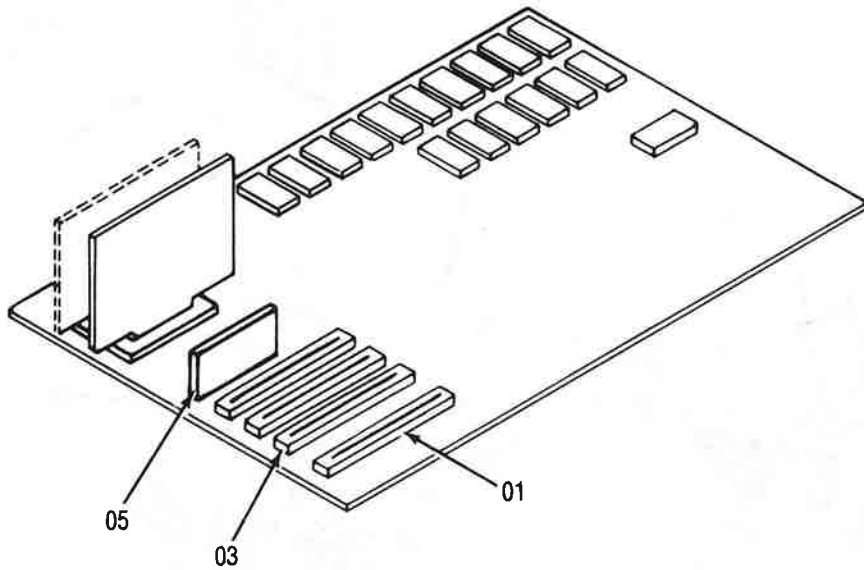
- 01 Electrical/Mechanical Noise/ESD
- 02 Environment-Temperature/Humidity
- 03 Hardware Compatibility
- 04 Procedural Error
- 05 Programming Error
- 06 Power Failure/Incorrect Voltage (External)/PLD
- 07 OEM Equipment
- 08 Wiring Error (Customer)
- 09 Media (Paper, TP Facilities, Diskettes)
- 00 Other (Explain)

MAJOR

900 RPQ

MINOR

- 01 Extended Diskette Card
- 03 Extended Driver Card
- 05 External Monitor Card
- 82 Cables/Connectors
- 93 No Trouble Found
- 00 Other (Explain)





Printed May, 1982

Z229-8153-01