



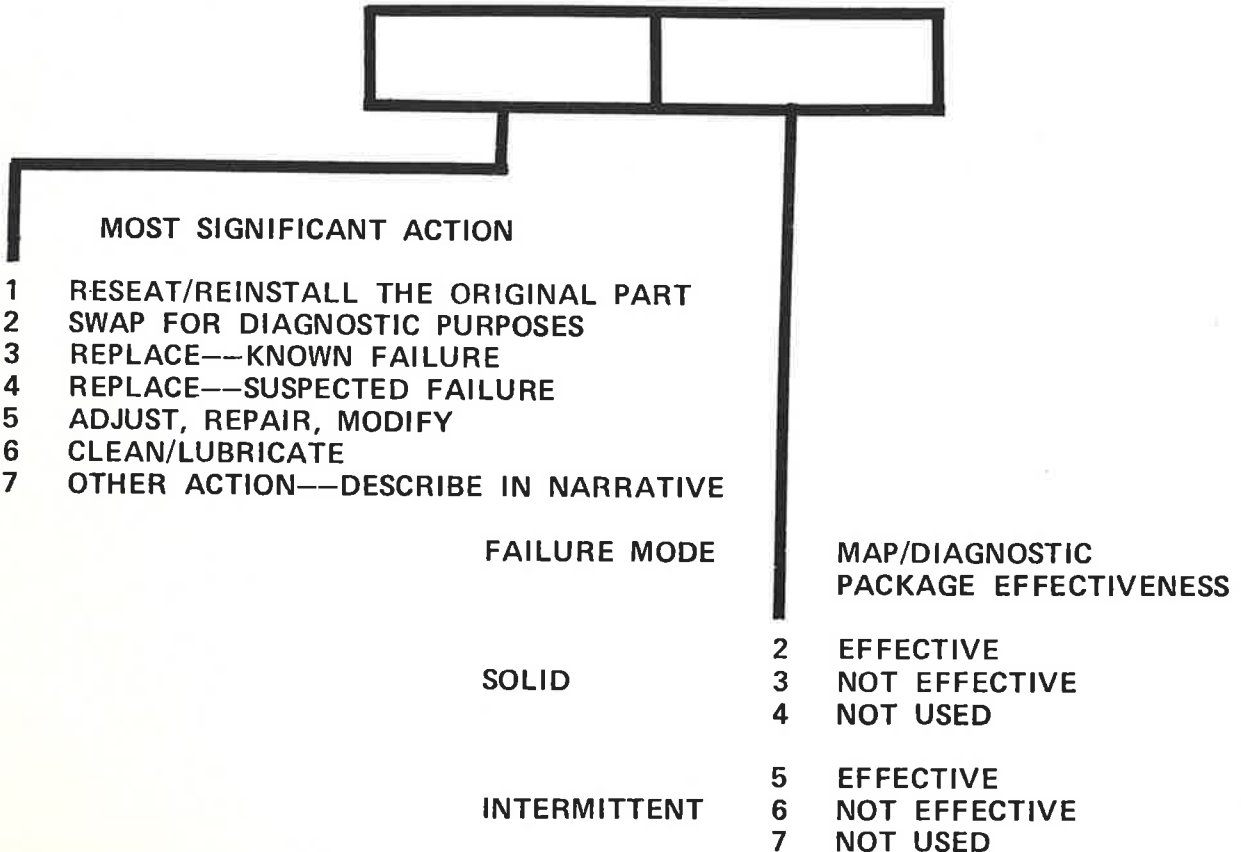
5322 PROCESSOR I/PAR CODE GUIDE

Z229-8119-02

MAJOR CODES

000	BASE	301-318	LOGIC
050	CRT DISPLAY	340	MICRO-CODE
870	CUSTOMER RESPONSIBILITY	600	POWER
823	DISKETTE DRIVE (31SD)	900	RPQ
825	DISKETTE DRIVE (51TD)	100	TELEPROCESSING
040	KEYBOARD		CE LOG

NO TROUBLE FOUND—FOR DETAILS, SEE PAGE 16
CAUSE CODE



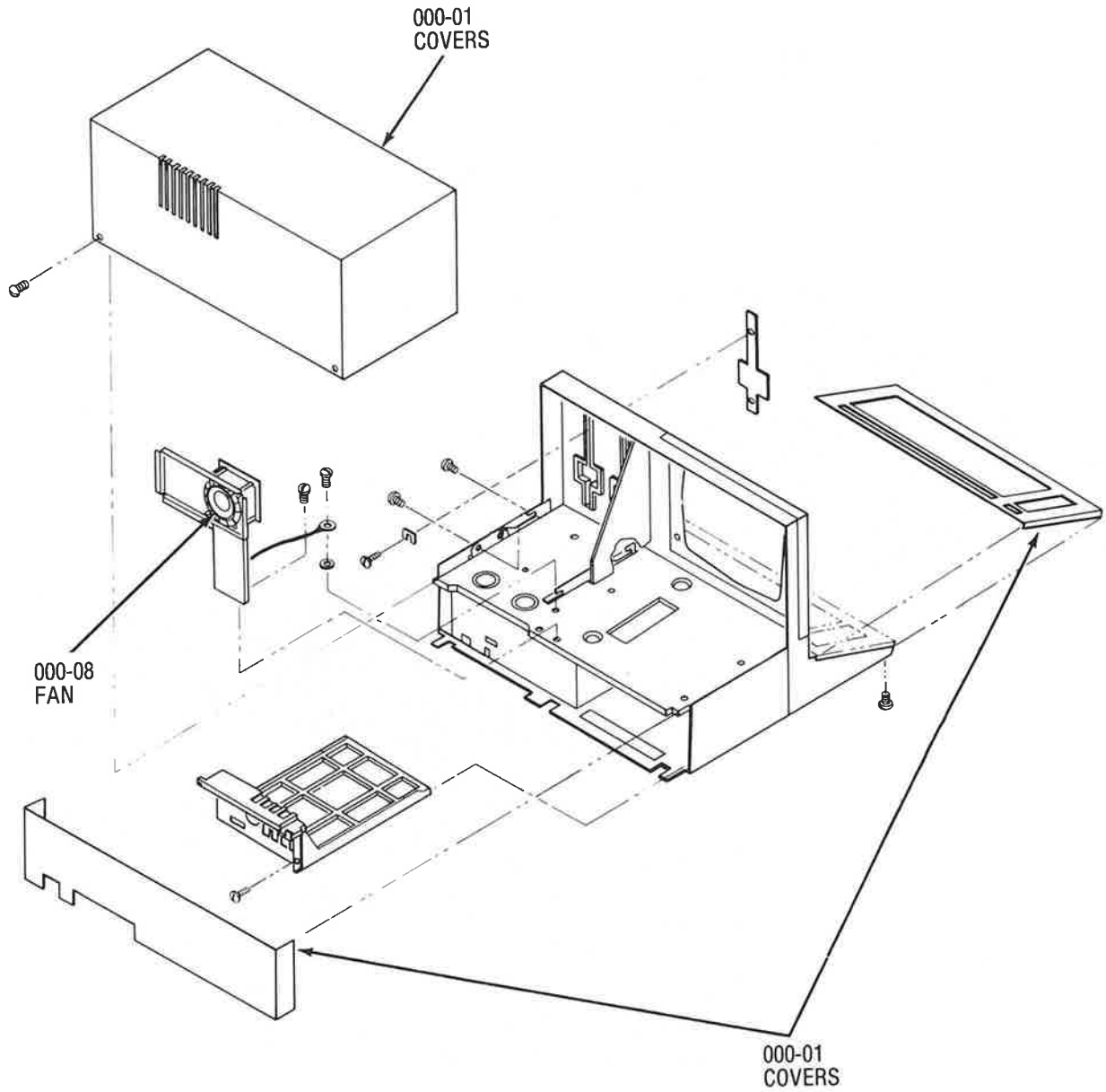
000 BASE

000-01 COVERS

000-08 FAN

000-09 HARDWARE

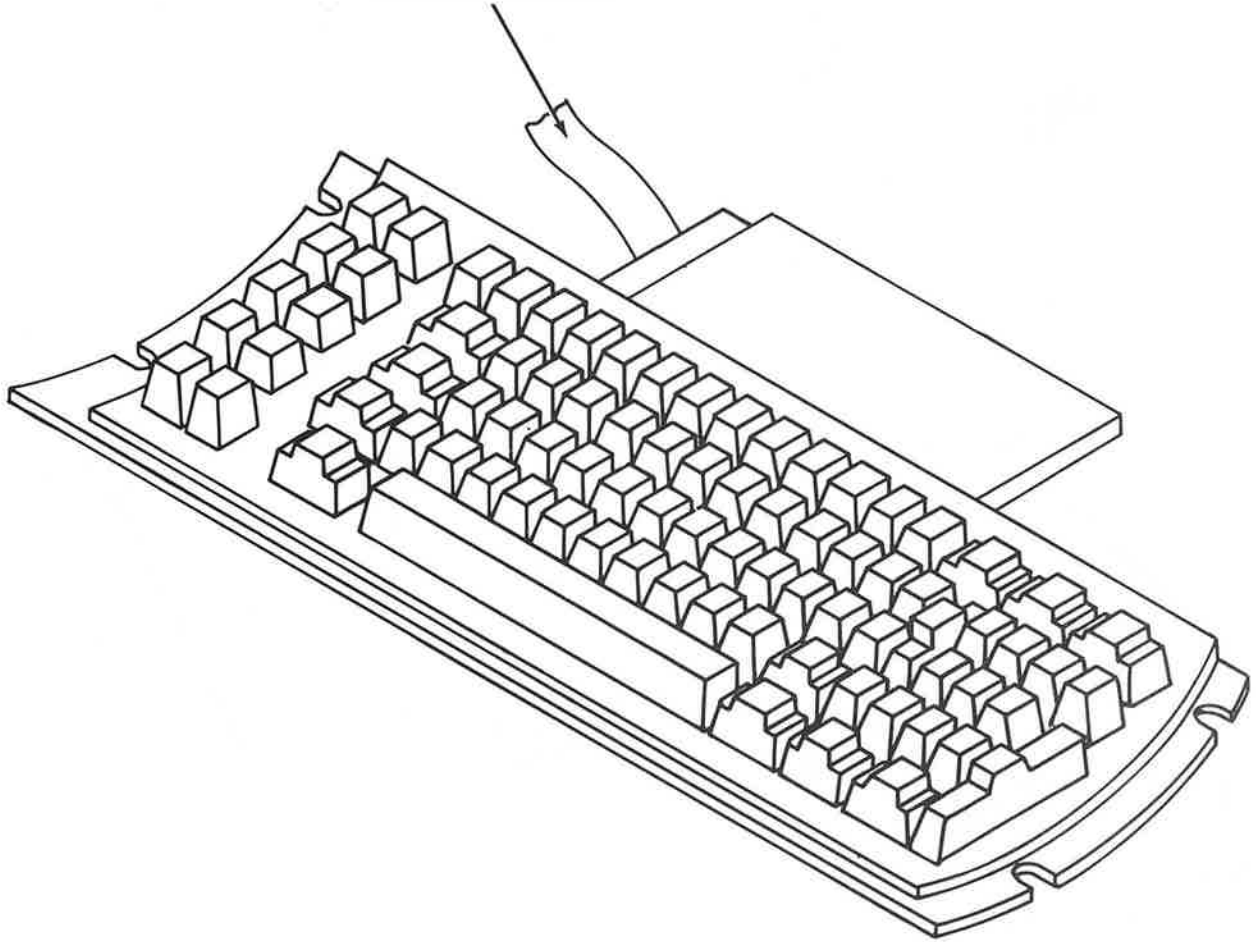
000-93 NO TROUBLE FOUND



040 KEYBOARD

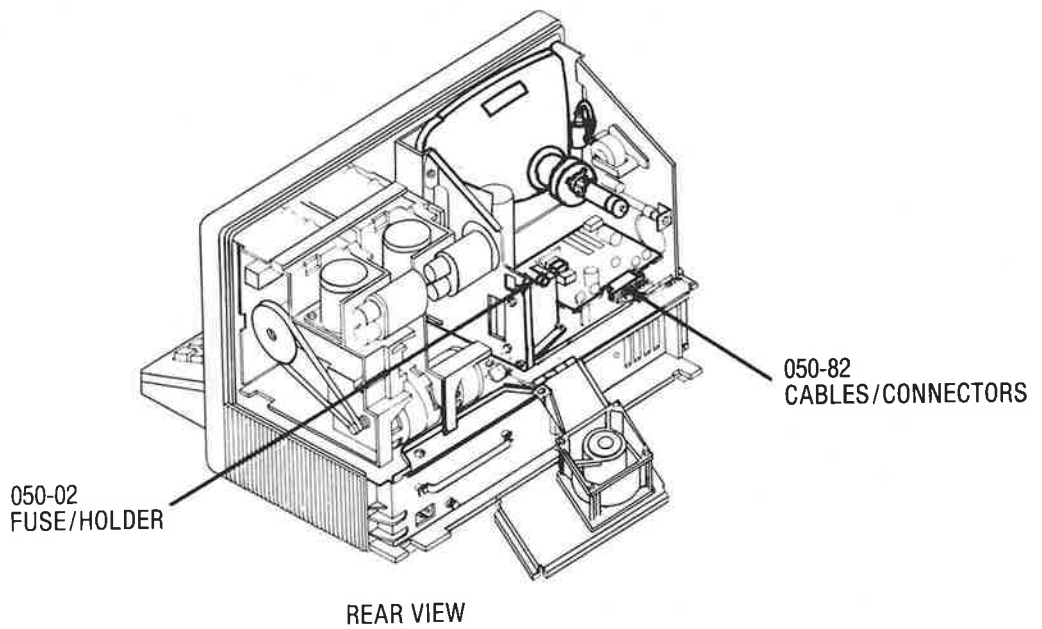
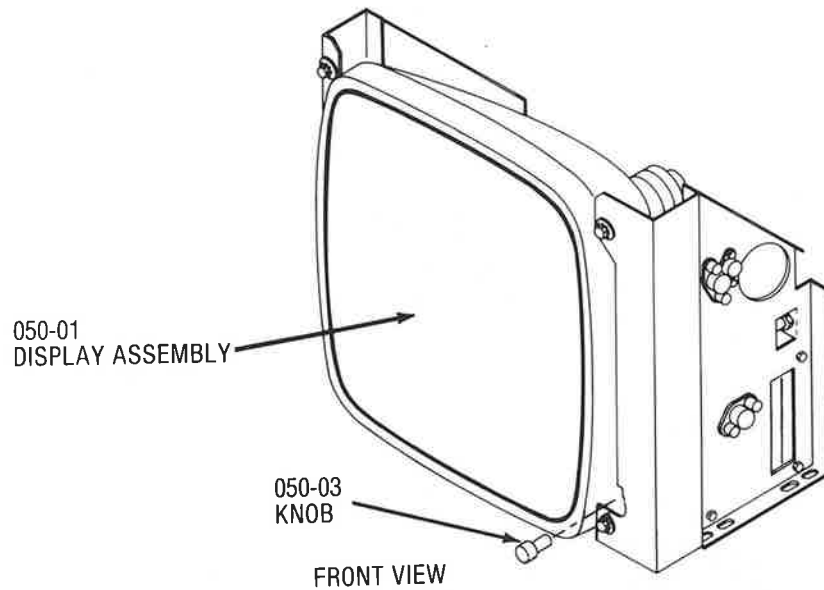
040-82 CABLES/CONNECTORS
040-93 NO TROUBLE FOUND
040-99 UNIT REPLACEMENT
040-00 OTHER

040-82
CABLES/CONNECTORS



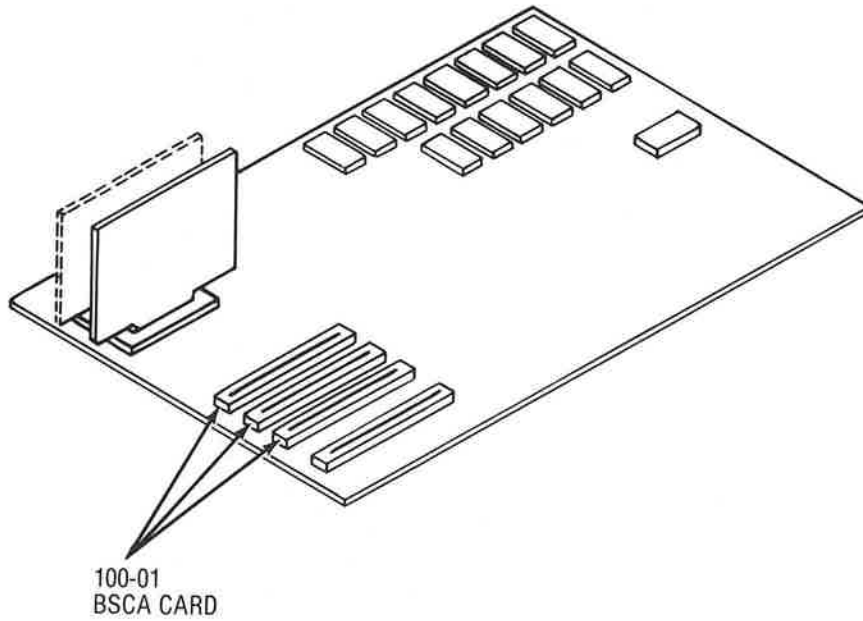
050 CRT DISPLAY

050-82 CABLES/CONNECTORS
050-01 DISPLAY ASSEMBLY
050-02 FUSE/HOLDER
050-03 KNOB
050-93 NO TROUBLE FOUND
050-99 UNIT REPLACEMENT
050-00 OTHER



100 TELEPROCESSING

- 100-82 CABLES/CONNECTORS
- 100-01 SS/BSCA CARD
- 100-93 NO TROUBLE FOUND
- 100-00 OTHER



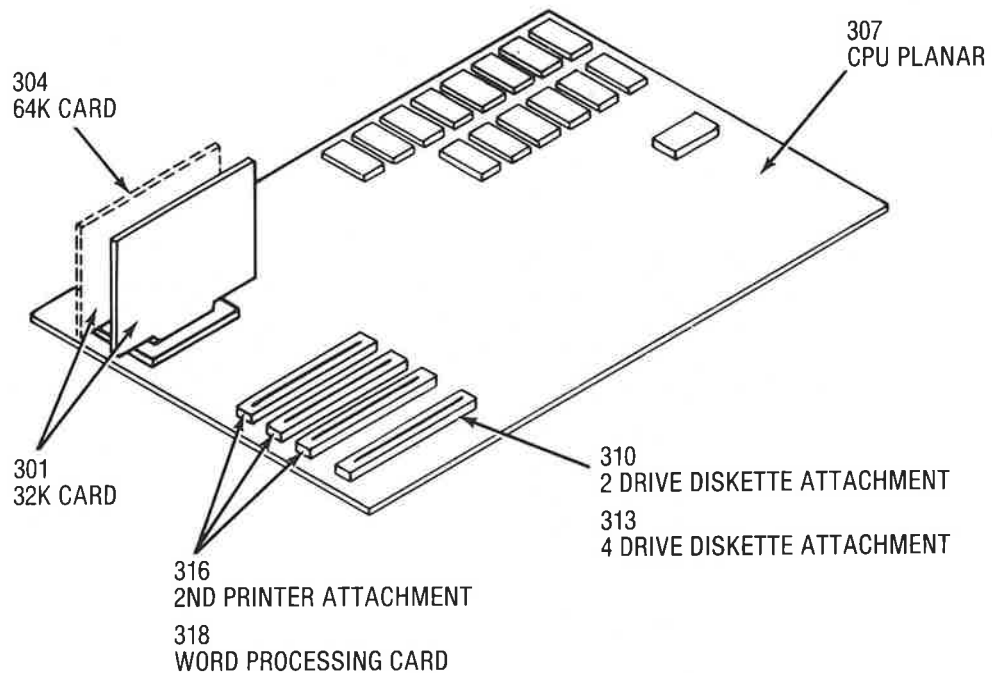
301-318 LOGIC

301 32K CARD
304 64K CARD
307 CPU PLANAR
310 2 DRIVE DISKETTE ATTACHMENT
313 4 DRIVE DISKETTE ATTACHMENT
316 2ND PRINTER ATTACHMENT
318 WORD PROCESSING CARD

MINOR CODES

(USE WITH MAJOR CODES 301-318)

82 CABLES/CONNECTORS
93 NO TROUBLE FOUND
99 UNIT REPLACEMENT
00 OTHER



340 MICRO-CODE

340-01 CUSTOMER SUPPORT FUNCTION DISKETTE
340-02 DIAGNOSTIC DISKETTE
340-03 PROCESSOR/BASIC INTERPRETER (ROS)
340-04 TELEPROCESSING DISKETTE
340-05 WORD PROCESSING DISKETTE
340-93 NO TROUBLE FOUND
340-00 OTHER

600 POWER

600-82 CABLES/CONNECTORS

600-02 FUSE/5V

600-03 FUSE/12V

600-04 FUSE/24V

600-09 FUSE, A.C.

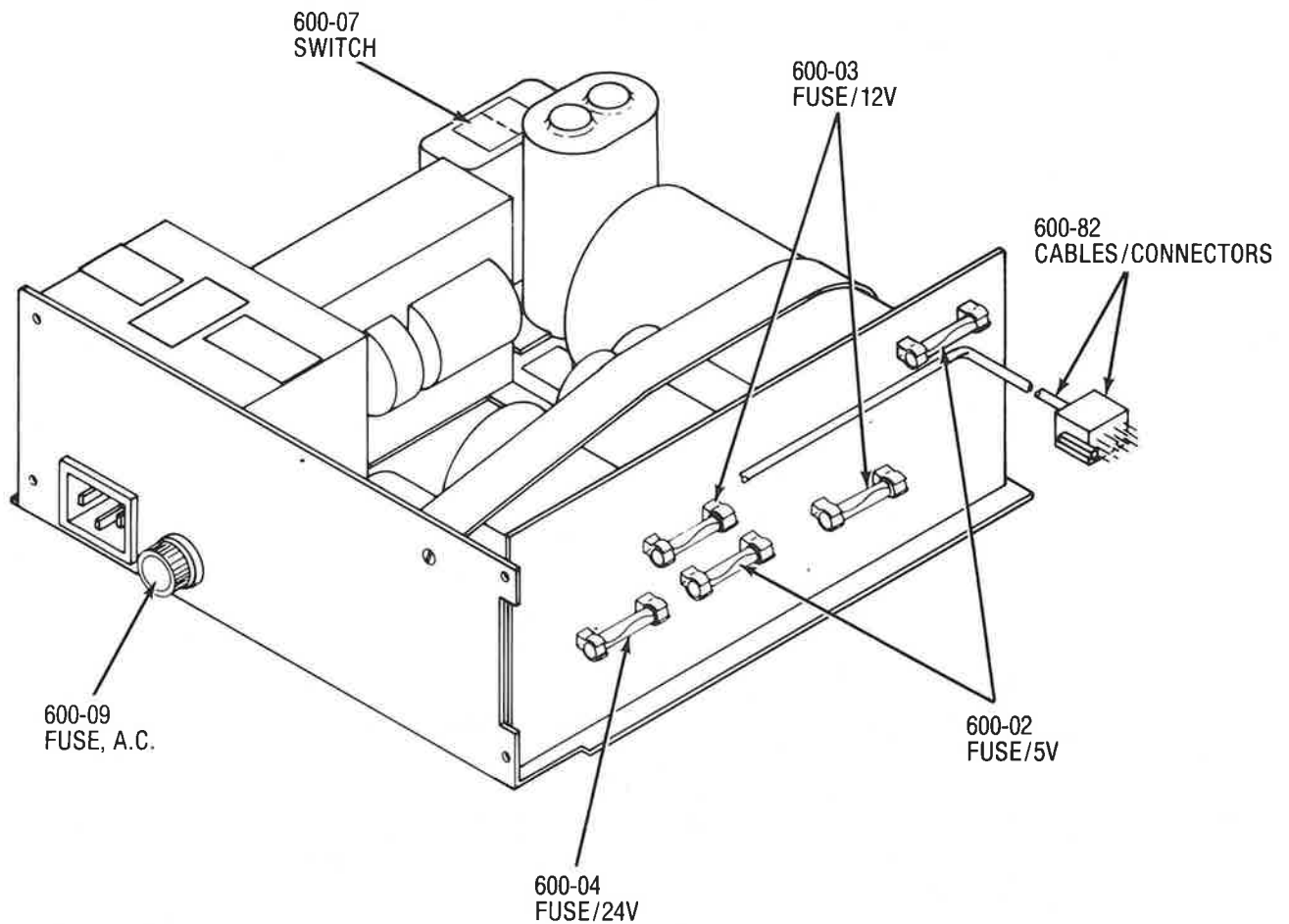
600-05 LINE CORD

600-07 SWITCH

600-93 NO TROUBLE FOUND

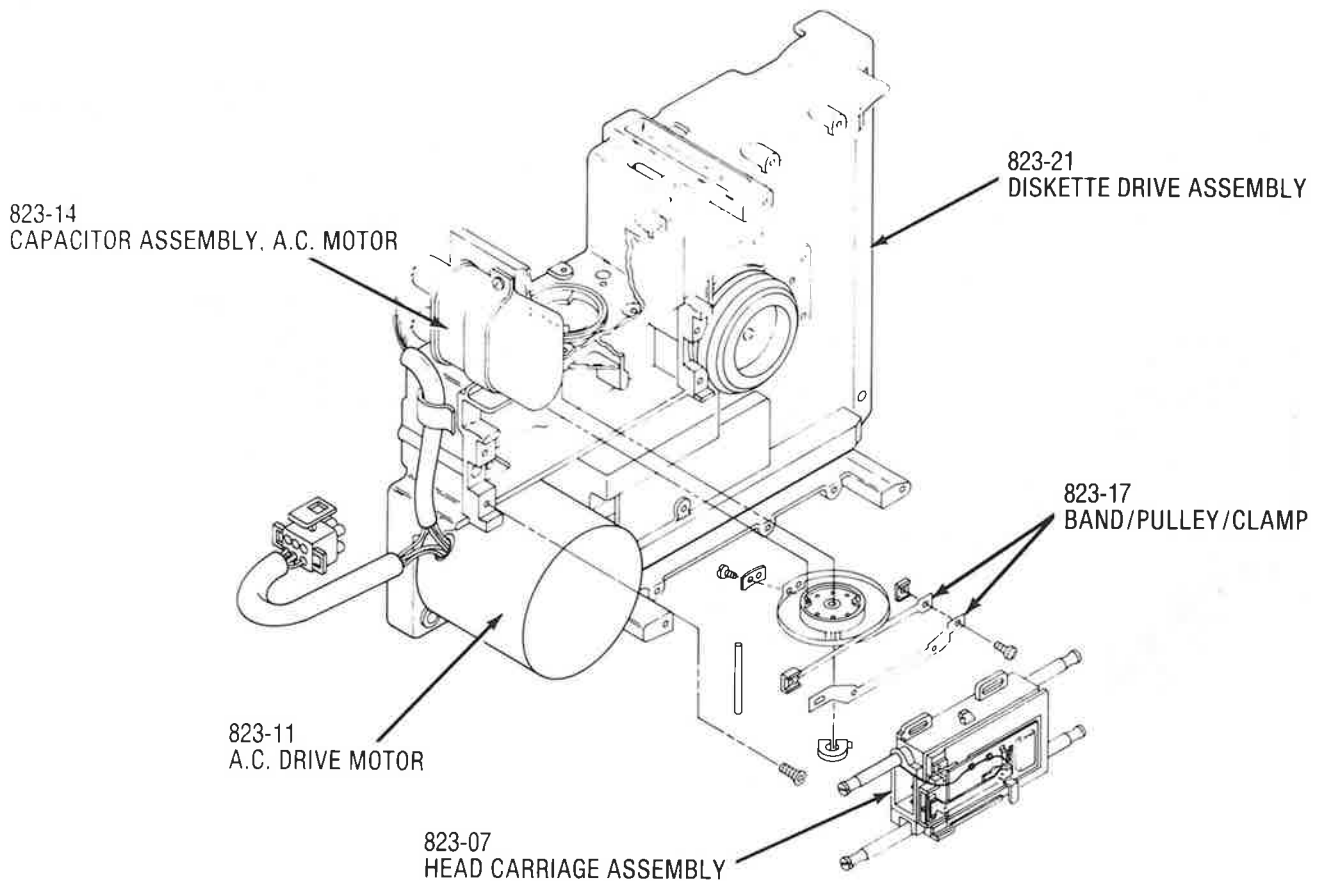
600-99 UNIT REPLACEMENT

600-00 OTHER

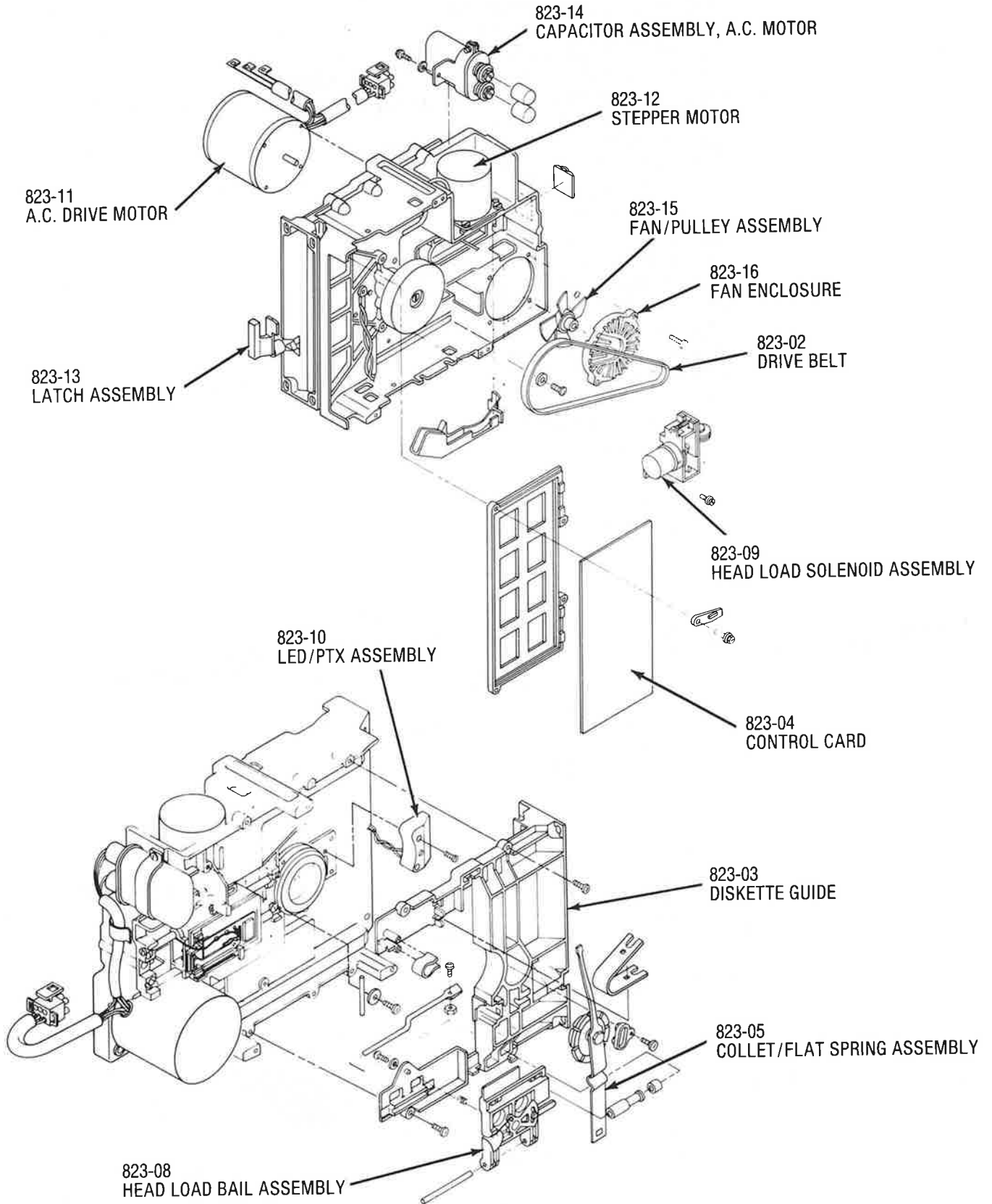


823 DISKETTE DRIVE (31SD)

- 823-11 A.C. DRIVE MOTOR
- 823-17 BAND/PULLEY/CLAMP
- 823-82 CABLES/CONNECTORS
- 823-14 CAPACITOR ASSEMBLY, A.C. MOTOR
- 823-05 COLLET/FLAT SPRING ASSEMBLY
- 823-04 CONTROL CARD
- 823-21 DISKETTE DRIVE ASSEMBLY
- 823-03 DISKETTE GUIDE
- 823-02 DRIVE BELT
- 823-16 FAN ENCLOSURE
- 823-15 FAN/PULLEY ASSEMBLY
- 823-07 HEAD CARRIAGE ASSEMBLY
- 823-08 HEAD LOAD BAIL ASSEMBLY
- 823-09 HEAD LOAD SOLENOID ASSEMBLY
- 823-13 LATCH ASSEMBLY
- 823-10 LED/PTX ASSEMBLY
- 823-18 SHIELD
- 823-12 STEPPER MOTOR
- 823-93 NO TROUBLE FOUND
- 823-00 OTHER

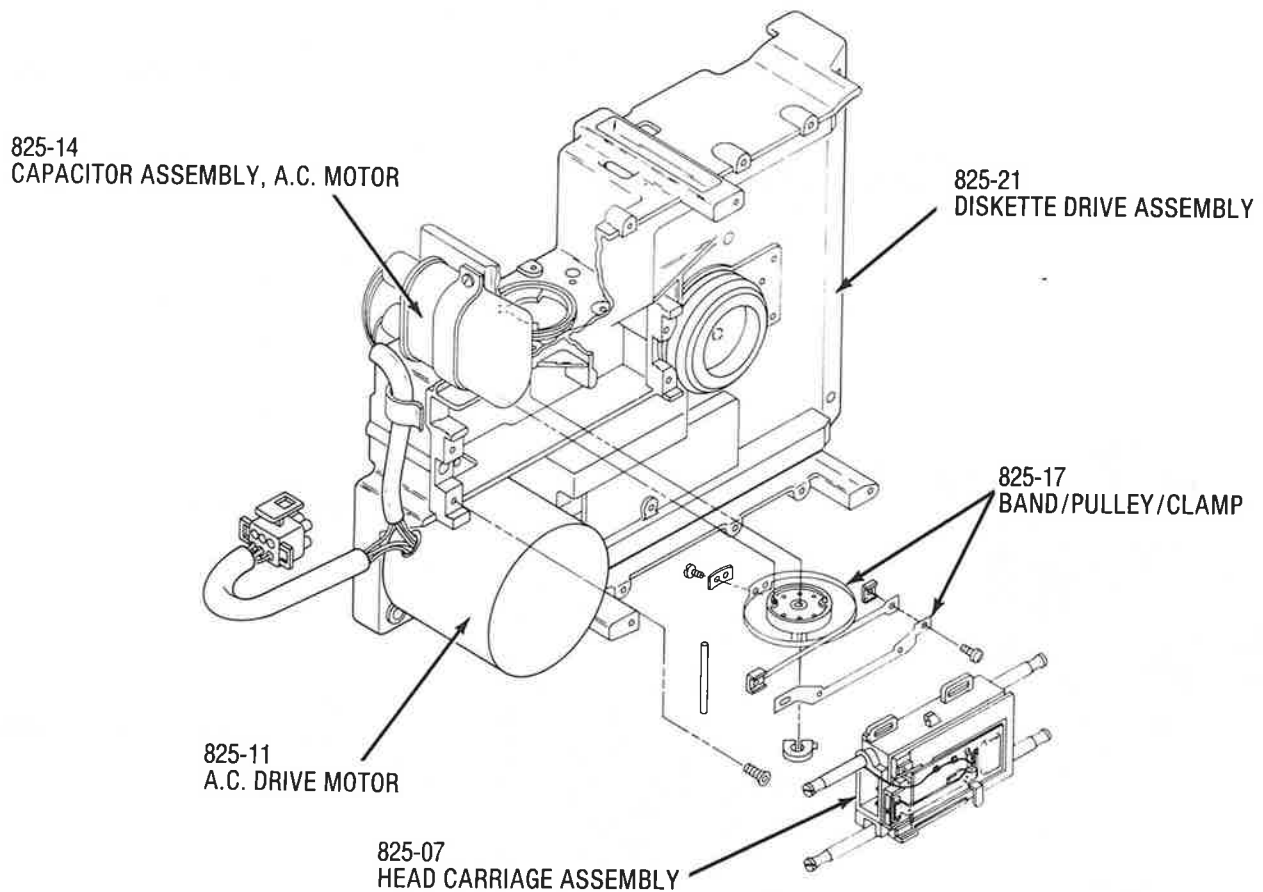


823 DISKETTE DRIVE (31SD)

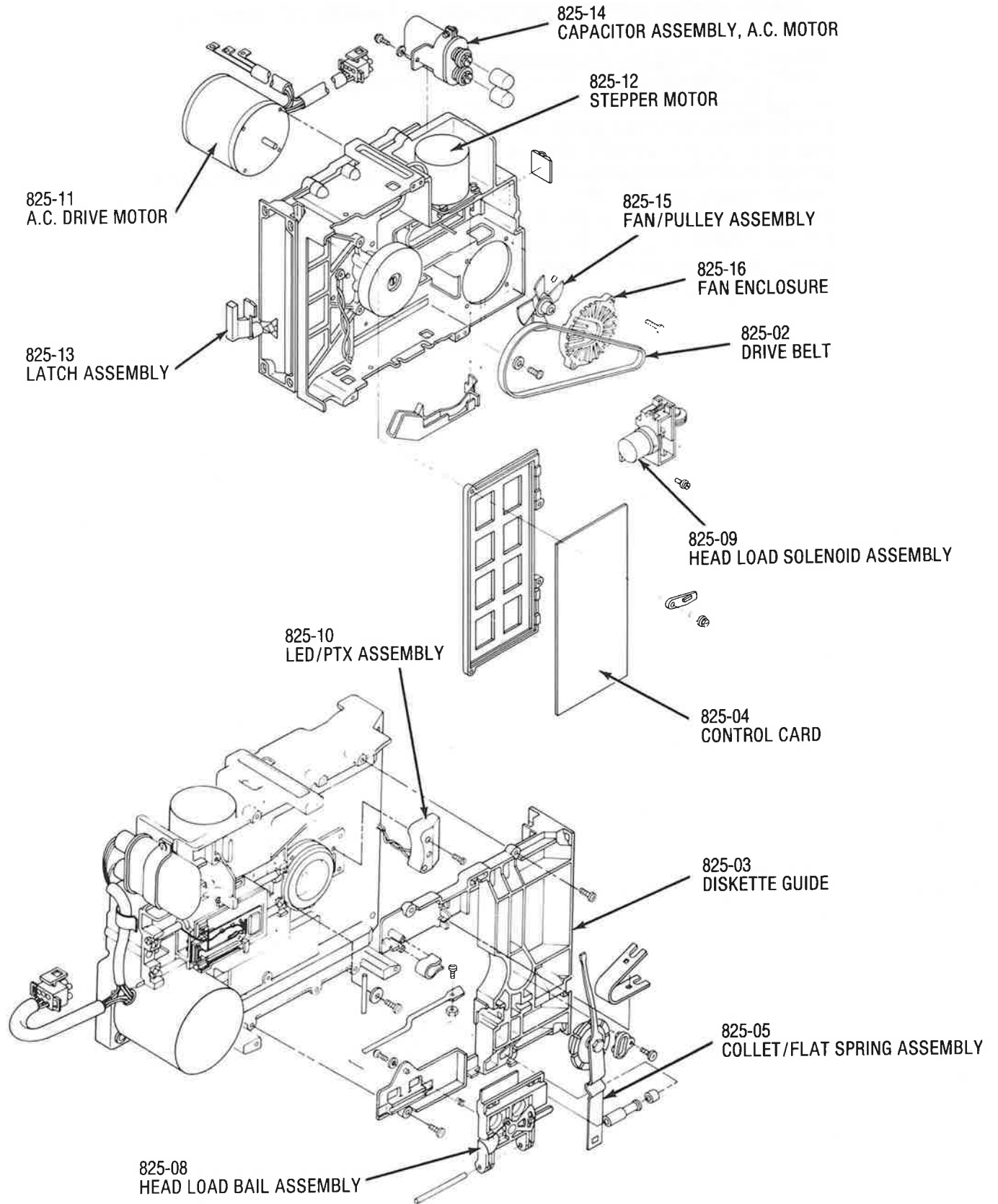


825 DISKETTE DRIVE (51TD)

825-11 A.C. DRIVE MOTOR
825-17 BAND/PULLEY/CLAMP
825-82 CABLES/CONNECTORS
825-14 CAPACITOR ASSEMBLY, A.C. MOTOR
825-05 COLLET/FLAT SPRING ASSEMBLY
825-04 CONTROL CARD
825-21 DISKETTE DRIVE ASSEMBLY
825-03 DISKETTE GUIDE
825-02 DRIVE BELT
825-16 FAN ENCLOSURE
825-15 FAN/PULLEY ASSEMBLY
825-07 HEAD CARRIAGE ASSEMBLY
825-08 HEAD LOAD BAIL ASSEMBLY
825-09 HEAD LOAD SOLENOID ASSEMBLY
825-13 LATCH ASSEMBLY
825-10 LED/PTX ASSEMBLY
825-18 SHIELD
825-12 STEPPER MOTOR
825-93 NO TROUBLE FOUND
825-00 OTHER



825 DISKETTE DRIVE (51TD)



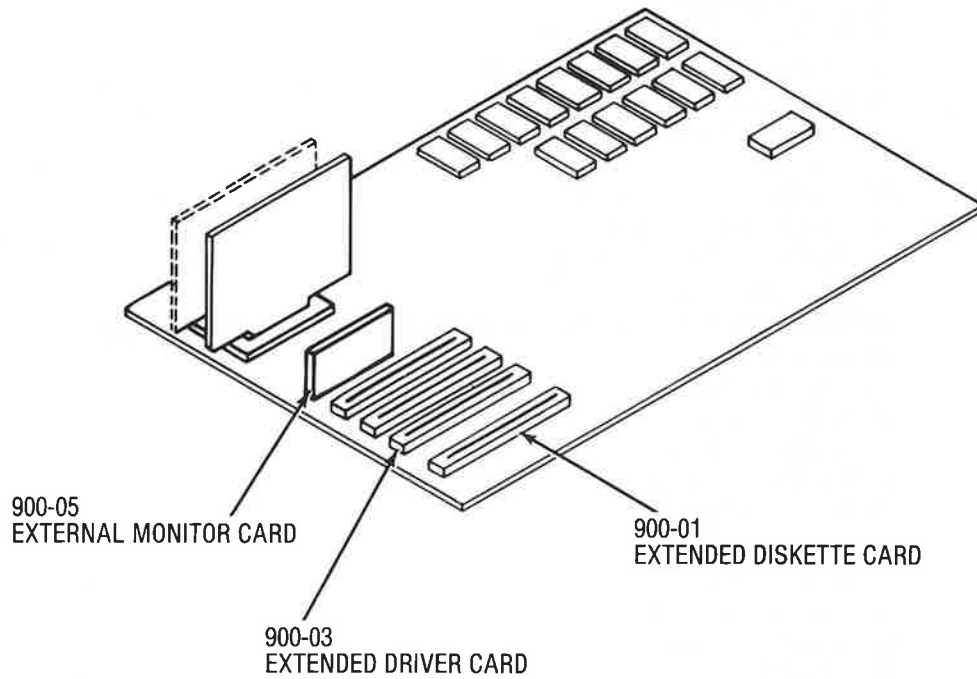
870 CUSTOMER RESPONSIBILITY

(USE WITH SERVICE CODE 14 AND 30 ONLY)

- 870-01 ELECTRICAL/MECHANICAL NOISE/ESD**
- 870-02 ENVIRONMENT - TEMPERATURE/HUMIDITY**
- 870-03 HARDWARE COMPATIBILITY**
- 870-04 PROCEDURAL ERROR**
- 870-05 PROGRAMMING ERROR**
- 870-06 POWER FAILURE/INCORRECT VOLTAGE (EXTERNAL)/PLD**
- 870-07 OEM EQUIPMENT**
- 870-08 WIRING ERROR (CUSTOMER)**
- 870-09 MEDIA (PAPER, TP FACILITIES, DISKETTES)**
- 870-93 NO TROUBLE FOUND**
- 870-00 OTHER**

900 RPQ

900-82 CABLES/CONNECTORS
900-01 EXTENDED DISKETTE CARD
900-03 EXTENDED DRIVER CARD
900-05 EXTERNAL MONITOR CARD
900-93 NO TROUBLE FOUND
900-00 OTHER



SYMPTOM CODES

(USE IN PLACE OF CAUSE CODES FOR MINOR CODE 93)

- 01 BLANK SCREEN
- 02 BLOWS FUSES
- 04 INTENSITY CHANGES
- 05 KEYBOARD INOPERATIVE
- 06 KEYS STICKY
- 07 NO INTERRUPT
- 08 NO IPL
- 09 NO RECORD FOUND
- 10 NOISE - AUDIBLE
- 11 NOISE - ELECTRICAL
- 12 NOT READY
- 13 NOT ABLE TO ESTABLISH DATA COMMUNICATIONS
- 14 OVERHEATS
- 15 POOR QUALITY
- 16 POWER FAILURE
- 17 TRAP ERRORS
- 18 PROGRAM LOOP
- 19 READ ERROR
- 20 SEEK ERROR
- 21 UNSTABLE
- 22 WRITE ERROR
- 23 WRONG OUTPUT
- 00 OTHER



International Business Machines Corporation

**Customer Service Division
400 Parsons Pond Drive
Franklin Lakes, New Jersey 07417
(U.S.A. only)**

**General Business Group/International
44 South Broadway
White Plains, New York 10601
(International)**

Z229-8119-02