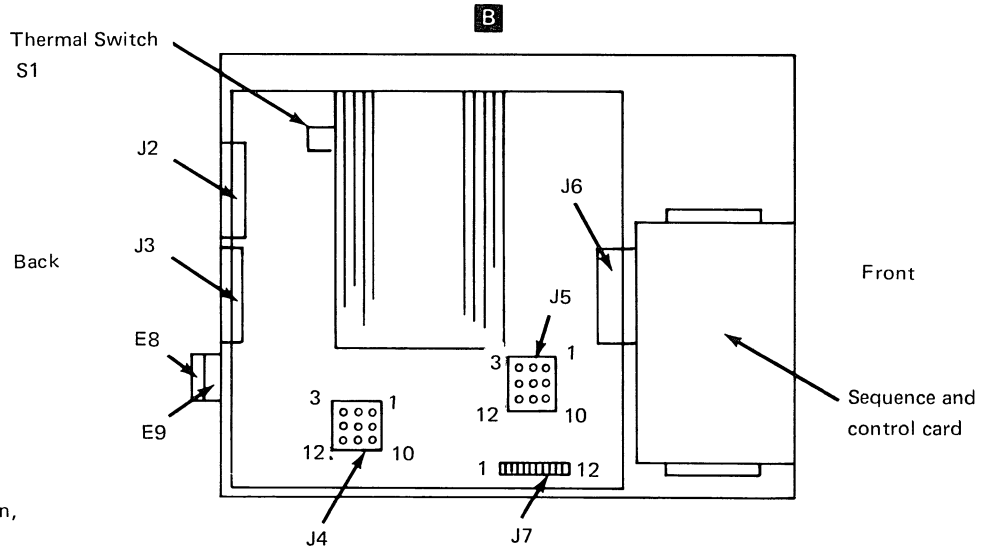
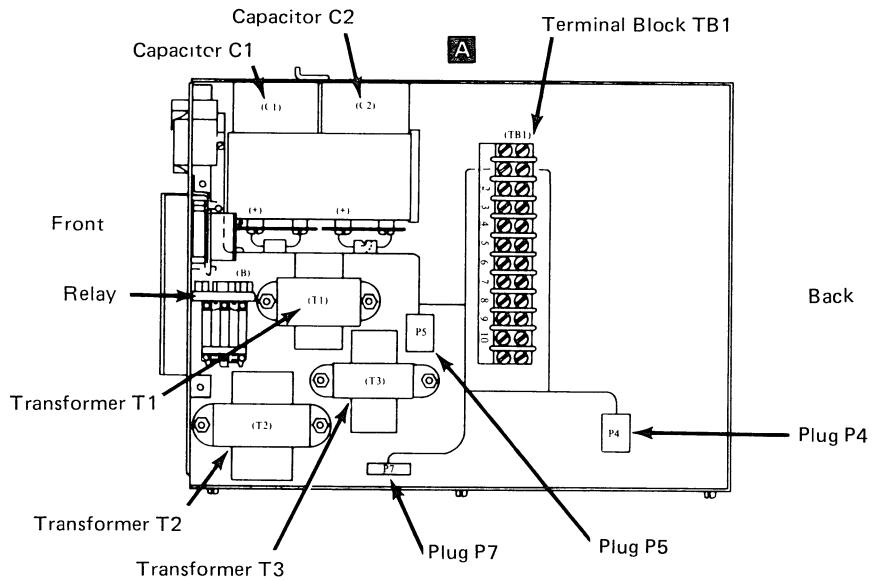
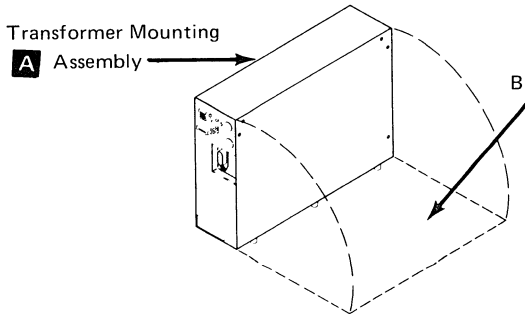


**4953 MODELS A AND C, 125 WATT POWER SUPPLY,
TRANSFORMER MOUNTING ASSEMBLY AND BOARD
MOUNTING PLATE LOCATIONS**



Note.
 For user information,
 see the prolog.

Sequence		Part	EC 374831				
0414AA	1 of 2	6826697	7-1-78				

POWER

Sequence		Part	EC 374831				
0414AA	2 of 2	6826697	7-1-78				

COPYRIGHT IBM CORPORATION 1976

300 Watt Power Supply - Front View

