

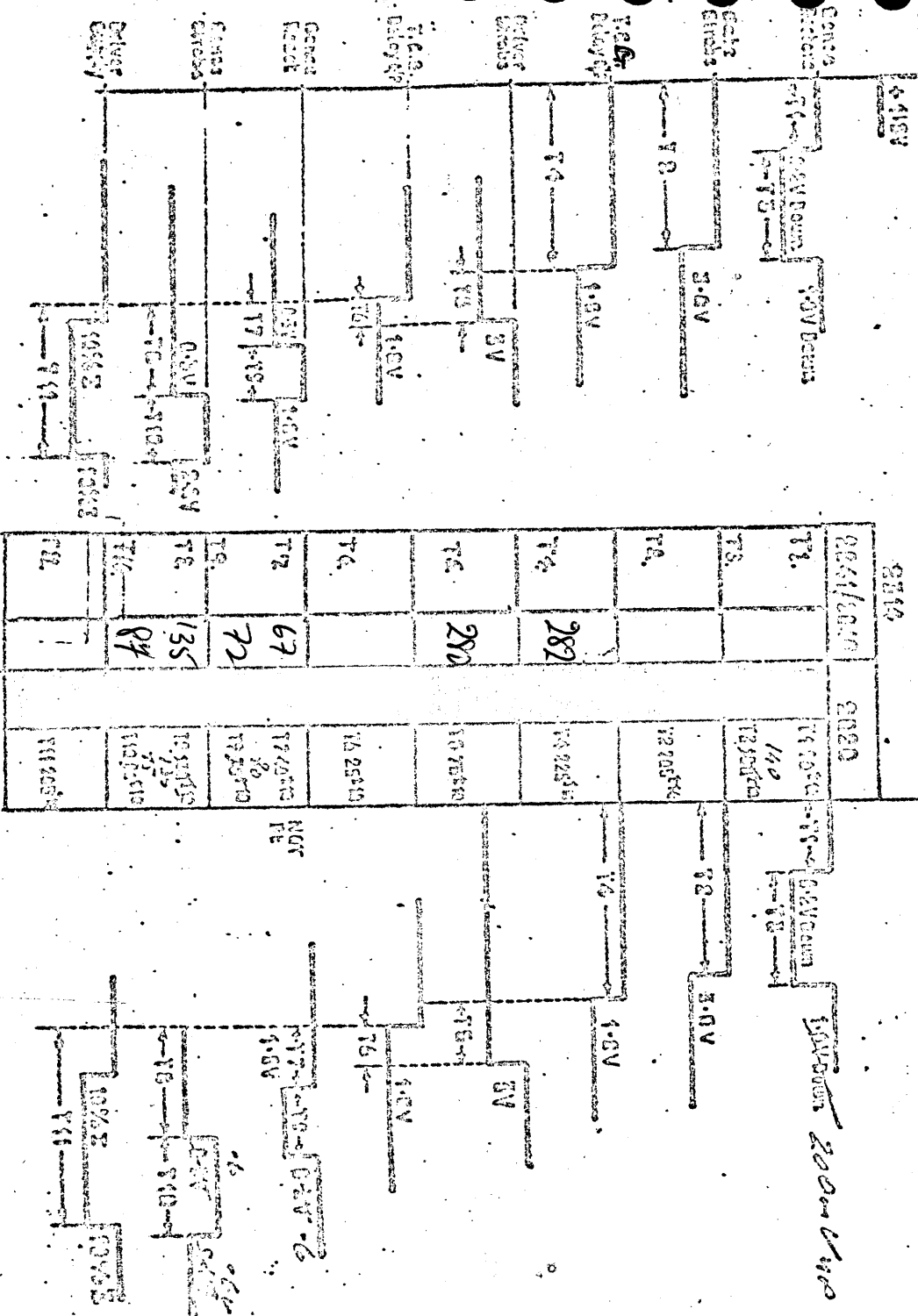
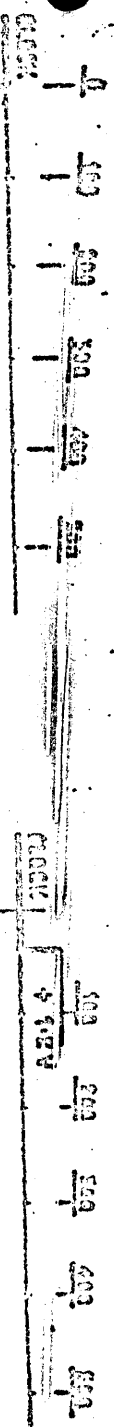
TRAFFIC 2314

TRBS SERIAL No. 9382

DATE 2/9/68

MANO SECS.

MANO SECS.



Channel	Signal	Value	Component
CH1	0001/0010	0000	10100000
T1			10100000
T2			10100000
T3			10100000
T4			10100000
T5			10100000
T6			10100000
T7			10100000
T8			10100000
T9			10100000
T10			10100000
T11			10100000
T12			10100000

767435

STANDARDS CODE

CARD CODE EA000

LOGIC PAGE	P/N	TITLE	
EA001	767907	COMMONING BOARD MK 2 GATES	B - GATE
EA011	767908	COMMONING BOARD MK 2 GATES	B - GATE
EA082	5374137	COMMONING BOARD DRIVER CONN	0 - 15
EA091	5374138		16 - 31
EA101	5374139		32 - 47
EA111	5374140	COMMONING BOARD DRIVER CONN	48 - 63
EB011	767931	CR SENSE AMPLIFIERS	0 - 3
EB021	767932		4 - 7
EB031	767933		8 - 11
EB041	767934		12 - 15
EB051	767935		16 - 19
EB061	767936		20 - 23
EB071	767937		24 - 27
EB081	767938		28 - 31
EB091	767939		32 - 35
EB101	767940		36 - 39
EB111	767941		40 - 43
EB121	767951	CR SENSE AMPLIFIERS	44 - 47
EB181	767967	SENSE LATCHES	0 - 3
EB191	767968		4 - 7
EB201	767969		8 - 11
EB211	767970		12 - 15
EB221	767971		16 - 19
EB231	767972		20 - 23
EB241	767973		24 - 27
EB251	767974		28 - 31
EB261	767975		32 - 35
EB271	767976		36 - 39
EB281	767977		40 - 43
EB291	767978	SENSE LATCHES	44 - 47
EC011	5374165	GATE DECODERS	
EC021	5374166	DRIVER DECODERS	
EC051	767979	16 DRIVERS	0 - 7 AND 24 - 31
EC091	767980		8 - 15 AND 49 - 55
EC131	767981		16 - 23 AND 56 - 63
EC171	767982	16 DRIVERS	32 - 47
EC251	767948	TIMING CARD G	
EC281	767944	TIMING CARD H	
EC311	767910	2841 ROS 2 INPUT ADDRESS LINES AND TIMING INPUTS	
EC401	767436	POINT TO POINT CABLE REF SHEET	
EC501	5348753	TAPE ASM. REF. DIAG.	
EC511	767434	TIMING REF. DIAG.	
EC531	5375735	TROS PLAN VIEW (TOP VIEW)	
EC541	5348773	MODULE BREAKDOWN REF. DIAG.	
EC551	5348774	TAPE NUMBERING AND ARRANG. REF. DIAG.	
EC561	5375736	DECODING REF. DIA.	
EC571	5348776	MODULE DIODE BD REF. DIAG (BACK VIEW)	
EC581	5348777	MODULE DIODE BD REF. DIAG (FRONT VIEW)	
EC594	767713	COMM BD MK 2 GATES (BACKLEVEL 4688 ALD)	
EC601	767427	SOCKET LIST (A - A1)	
EC611	767428	SOCKET LIST (B - A1)	

CIRCUIT AND PACKAGING STANDARD	
APPROVAL	DATE

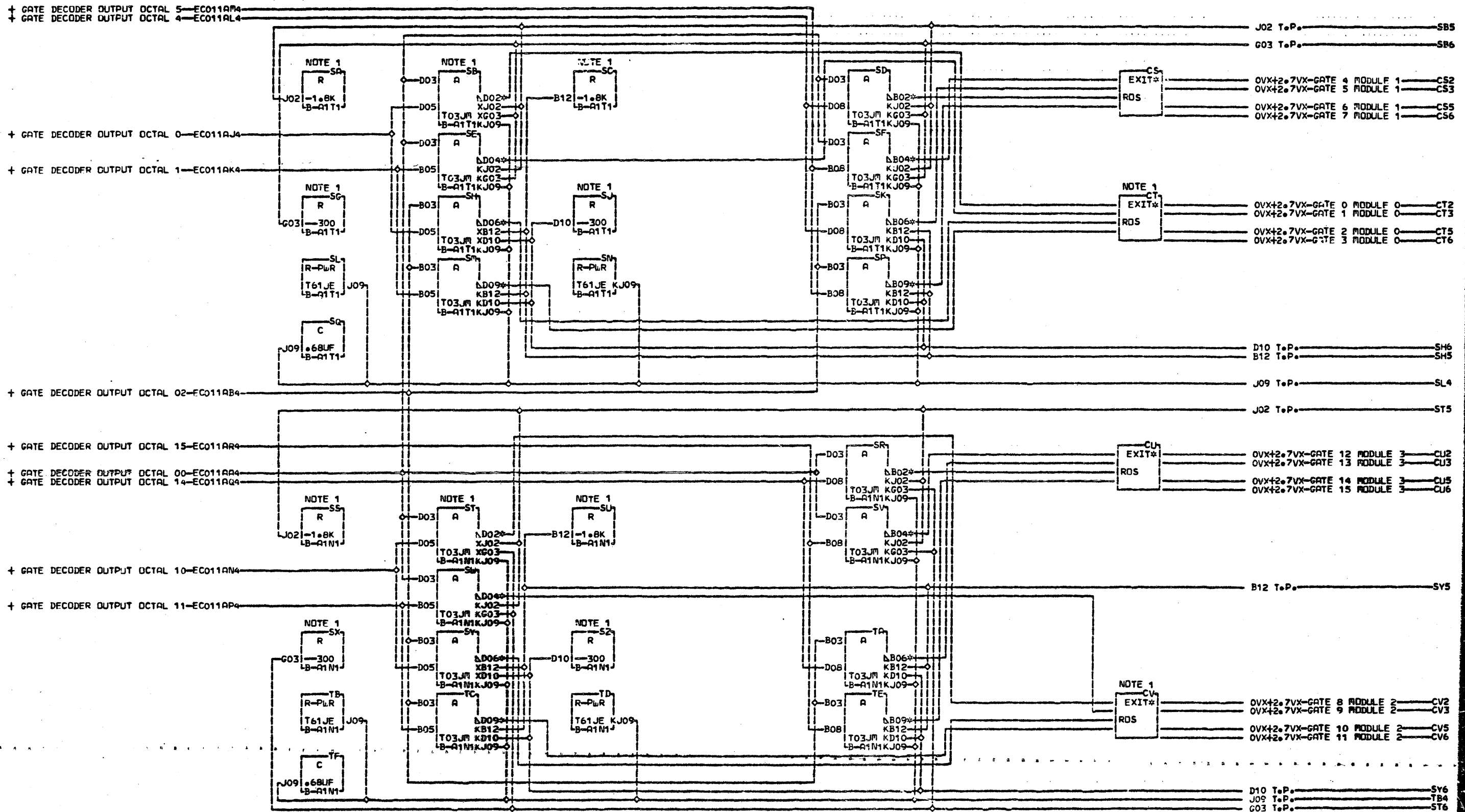
INTERNATIONAL BUSINESS MACHINES CORP.				DATE	CHANGE NO.	APPROVAL	DATE	CHANGE NO.	APPROVAL	DEVELOPMENT NO.
NAME LOGIC GROUP INDEX				26MAR68	551693					
2841 ROS 2										
DESIGN	WJB	2-28-68	MODEL							
DETAIL	WJB	2-28-68	SCALE							
CHECK	PA	2-28-68	DRAW							
APPRO			CHECK							

C

EA000

767435

GRAPHIC CONTROLS CORP. MOONLIV. N. Y. 11817 STOCK NO. 48807 1482

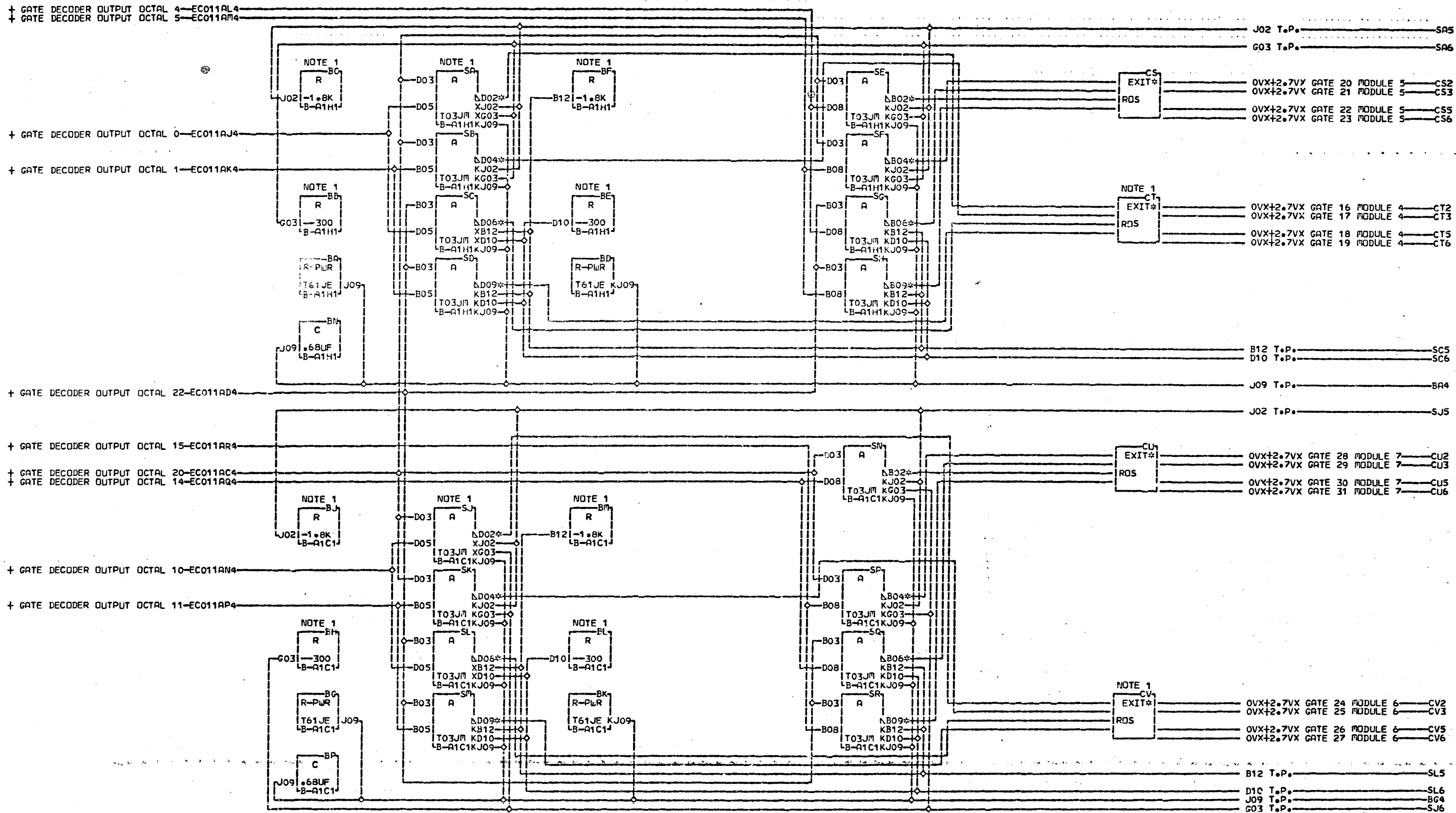


NOTE 1 SEE REFERENCE PAGE
 E.C. 594 P. No. 76713 FOR
 LOGICAL PRESENTATION OF
 GATE CARD P. No. 5804686
 BEFORE E.C. 165453B

- SR4 B-A1U1D02
- SK4 B-A1S1B06
- SD4 B-A1S1D02
- SM4 B-A1U1D09
- SF4 B-A1U1D04
- SP4 B-A1S1D09
- ST4 B-A1P1D02
- SV4 B-A1L1D04
- SW4 B-A1P1D04
- SY4 B-A1P1B06
- SH4 B-A1U1B06
- SB4 B-A1S1B06
- SC4 B-A1Q1D02
- SD4 B-A1L1D04
- SE4 B-A1M1D04
- SF4 B-A1P1D04
- SG4 B-A1S1D09
- SH4 B-A1L1D02
- SI4 B-A1L1B06
- SK4 B-A1S1B06
- SL4 B-A1P1D02
- SM4 B-A1L1D04
- SN4 B-A1M1D09
- SO4 B-A1P1D04
- SP4 B-A1S1D09
- ST4 B-A1L1B06
- SV4 B-A1L1D02
- SW4 B-A1L1B06

LOC. TYPE
 B-A1N1 4688
 B-A1T1 4688

COMMONING BOARD PK 2 GATES		
E.C. HISTORY	RACH 2841RDS2	EA 001
DATE	FROM	02 01
LAST EC	IBM CORP. SDD	001
11-01-67	P. No. 767907	

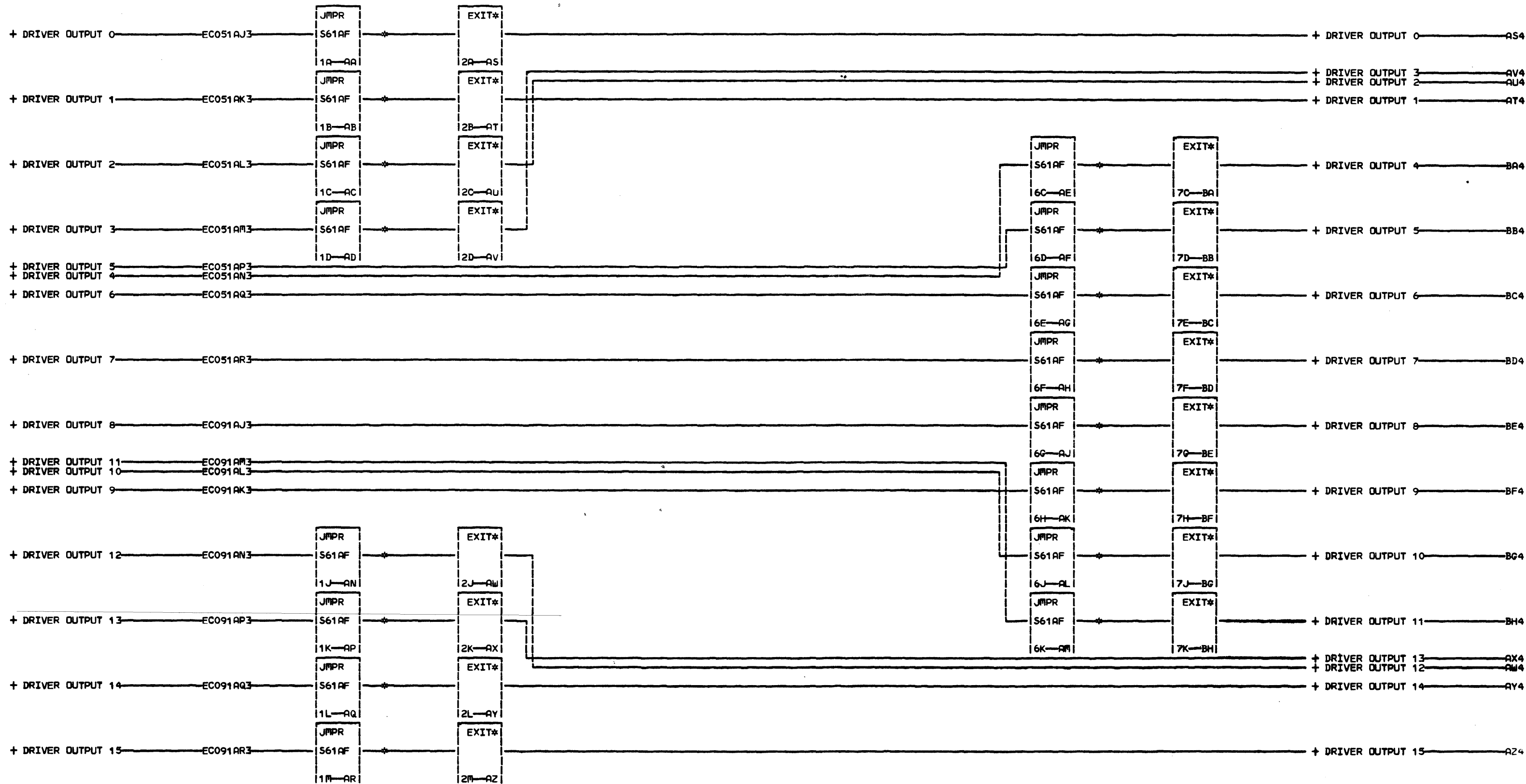


NOTE 1 SEE REFERENCE PAGE
 F.C. 54 P. 767713 FOR
 LOGICAL PRESENTATION OF
 GATE CARD P.N. 5804688
 BEFORE F.C. 165453B
 1
 001
 SIM TO PN 5374135 EC 551670

SA4 B-A1J1D02 02B-A1F1D02 SK4 B-A1D1D04 02B-A1A1D04
 02B-A1K1D02 SF4 B-A1G1D04 02B-A1E1D04 SQ4 B-A1B1B06
 SB4 B-A1J1D04 02B-A1F1D04 SL4 B-A1D1B06 02B-A1A1B06
 02B-A1K1D04 SC4 B-A1G1B06 02B-A1E1B06 SR4 B-A1B1D09
 SC4 B-A1J1B06 02B-A1F1B06 SM4 B-A1D1D09 02B-A1A1D09
 02B-A1K1B06 SH4 B-A1G1D09 02B-A1E1D09
 SD4 B-A1J1D09 02B-A1F1D09 SN4 B-A1B1D02
 02B-A1K1D09 SJ4 B-A1D1D02 02B-A1A1D02
 SE4 B-A1G1D02 02B-A1E1D02 SP4 B-A1B1D04

LOC. TYPE
 B-A1C1 4688
 B-A1H1 4688

COMMONING BOARD MK2 GATES		
E-C-HISTORY	MACH. 2841R052	E
	FRAME 02	A
	IBM CORP. SDD	0
DATE LAST EC	P.N. 767908	1
11-01-67 551682		001

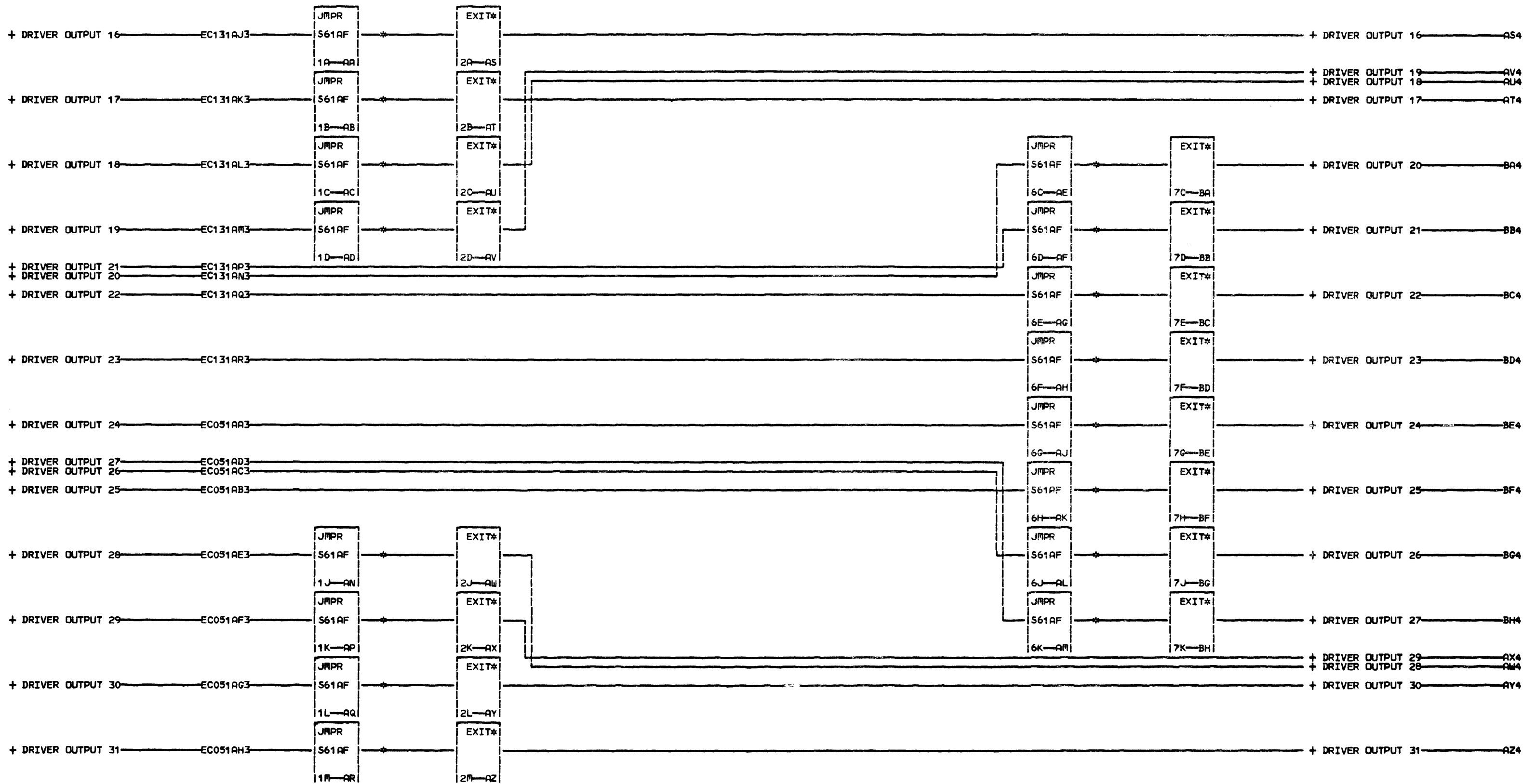


AA4 B-A1Y2B13	02B-A1F2D13	02B-A1P2D12	02B-A1Y1B07	02B-A1J2B10	02B-A1R2B09	02B-A1A2D09	02B-A1J2D08	02B-A1R2D07	02B-A1A2B06
02B-A1U2B13	02B-A1D2D13	02B-A1L2D12	AF4 B-A1Y2D11	02B-A1F2B10	02B-A1P2B09	AL4 B-A1Y2B08	02B-A1F2D08	02B-A1P2D07	02B-A1Y1B08
02B-A1R2B13	02B-A1A2D13	02B-A1J2D12	02B-A1U2D11	02B-A1D2B10	02B-A1L2B09	02B-A1U2B08	02B-A1D2D08	02B-A1L2D07	AR4 B-A1Y2D06
02B-A1P2B13	AC4 B-A1Y2B12	02B-A1F2D12	02B-A1R2D11	02B-A1A2B10	02B-A1J2B09	02B-A1L2B08	02B-A1D2D08	02B-A1J2D07	02B-A1U2D06
02B-A1F2B13	02B-A1U2B12	02B-A1D2D12	02B-A1P2D11	AH4 B-A1Y2D10	02B-A1F2B09	02B-A1P2B08	AN4 B-A1Y2B07	02B-A1F2D07	02B-A1R2D06
02B-A1D2B13	02B-A1R2B12	02B-A1A2D12	02B-A1L2D11	02B-A1U2D10	02B-A1D2B09	02B-A1L2B08	02B-A1U2B07	02B-A1D2D07	02B-A1P2D06
02B-A1A2B13	02B-A1P2B12	AE4 B-A1Y2B11	02B-A1J2D11	02B-A1R2D10	02B-A1L2B09	02B-A1J2B08	02B-A1R2B07	02B-A1A2D07	02B-A1L2D06
02B-A1L2B13	02B-A1L2B12	02B-A1U2B11	02B-A1F2D11	02B-A1P2D10	AK4 B-A1Y2D09	02B-A1F2B08	02B-A1P2B07	AR4 B-A1Y2B06	02B-A1J2D06
02B-A1J2B13	02B-A1J2B12	02B-A1R2B11	02B-A1D2D11	02B-A1L2D10	02B-A1U2D09	02B-A1D2B08	02B-A1L2B07	02B-A1U2B06	02B-A1F2D06
AB4 B-A1Y2D13	02B-A1F2B12	02B-A1P2B11	02B-A1A2D11	02B-A1J2D10	02B-A1R2D09	02B-A1L2B08	02B-A1J2B07	02B-A1R2B06	02B-A1D2D06
02B-A1U2D13	02B-A1D2B12	02B-A1L2B11	AG4 B-A1Y2B10	02B-A1F2D10	AM4 B-A1Y1D07	02B-A1P2D09	02B-A1F2B07	02B-A1P2B06	02B-A1A2D06
02B-A1R2D13	02B-A1A2B12	02B-A1J2B11	02B-A1U2B10	02B-A1D2D10	02B-A1L2D09	02B-A1L2D08	02B-A1D2B07	02B-A1L2B06	
02B-A1P2D13	AD4 B-A1Y2D12	02B-A1F2B11	02B-A1R2B10	02B-A1A2D10	02B-A1J2D09	02B-A1R2D08	02B-A1A2B07	02B-A1J2B06	
02B-A1L2D13	02B-A1U2D12	02B-A1D2B11	02B-A1P2B10	AJ4 B-A1Y2B09	02B-A1F2D09	02B-A1P2D08	AP4 B-A1Y2D07	02B-A1F2B06	
02B-A1J2D13	02B-A1R2D12	02B-A1A2B11	02B-A1L2B10	02B-A1U2B09	02B-A1D2D09	02B-A1L2D08	02B-A1U2D07	02B-A1D2B06	

10-13-65 254870

EA082

COMMONING BOARD
 DRIVER CONNECTORS
 DATE 01-04-66 MACH. 2841RDS2
 LOG 003 FRAME 02
 BRANS P.No. 5374137
 IBM CORP. WTC BLK. BU

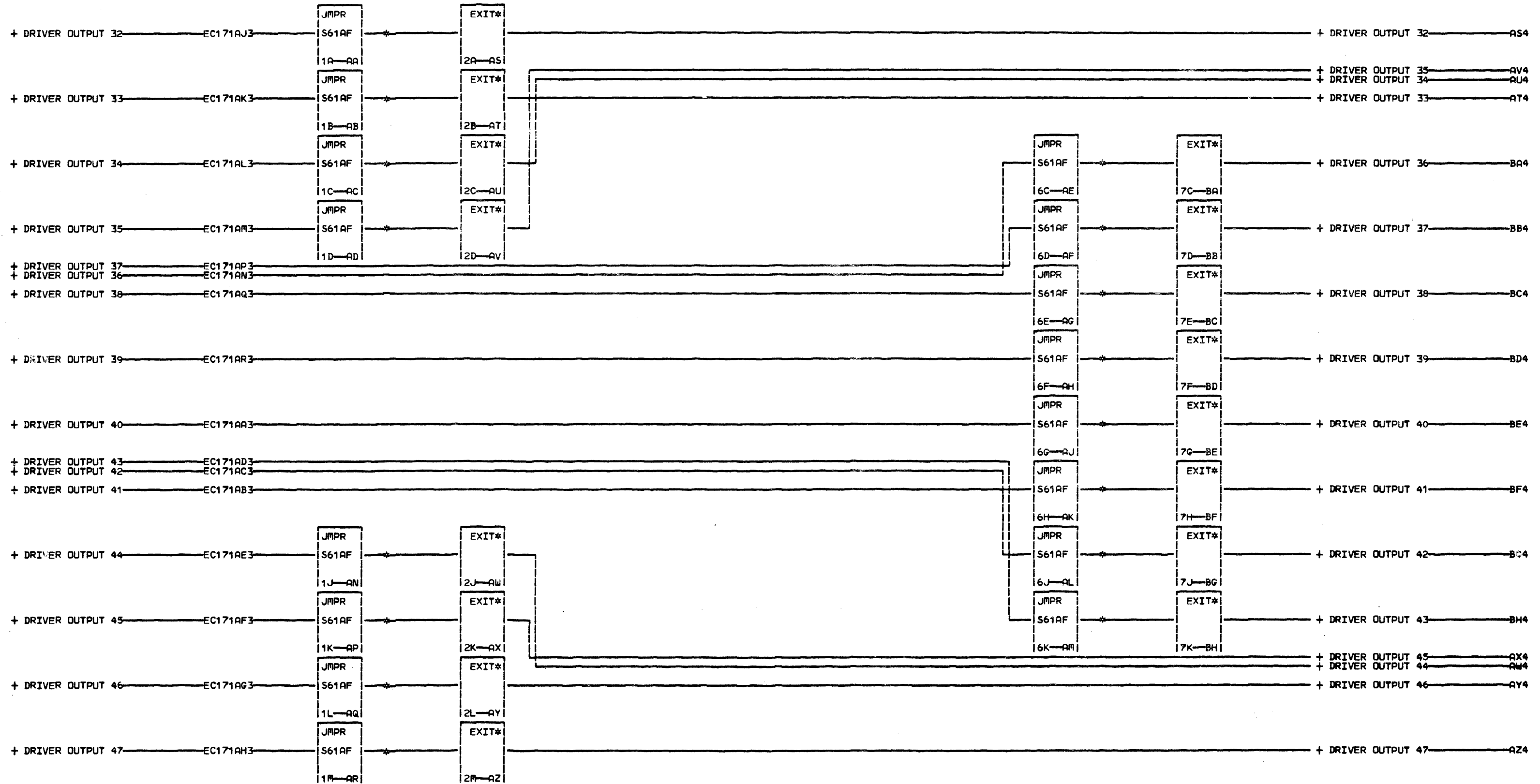


AA4 B-A1Y2B05	02B-A1F2D05	02B-A1P2D04	AF4 B-A1Y2D03	02B-A1J2B02	02B-A1R1B13	02B-A1A1D13	02B-A1J1D12	02B-A1U1D11	02B-A1D1B10
02B-A1U2B05	02B-A1D2D05	02B-A1L2D04	02B-A1U2D03	02B-A1F2B02	02B-A1P1B13	AL4 B-A1Y1B12	02B-A1F1D12	02B-A1R1D11	02B-A1A1B10
02B-A1R2B05	02B-A1A2D05	02B-A1J2D04	02B-A1R2D03	02B-A1D2B02	02B-A1L1B13	02B-A1U1B12	02B-A1D1D12	02B-A1P1D11	AR4 B-A1Y1D10
02B-A1P2B05	AC4 B-A1Y2B04	02B-A1F2D04	02B-A1P2D03	02B-A1A2B02	02B-A1J1B13	02B-A1R1B12	02B-A1A1D12	02B-A1L1D11	02B-A1U1D10
02B-A1L2B05	02B-A1U2B04	02B-A1D2D04	02B-A1L2D03	AH4 B-A1Y2D02	02B-A1F1B13	02B-A1P1B12	AN4 B-A1Y1B11	02B-A1J1D11	02B-A1R1D10
02B-A1J2B05	02B-A1R2B04	02B-A1A2D04	02B-A1J2D03	02B-A1U2D02	02B-A1D1B13	02B-A1L1B12	02B-A1U1B11	02B-A1F1D11	02B-A1P1D10
02B-A1F2B05	02B-A1P2B04	AE4 B-A1Y2B03	02B-A1F2D03	02B-A1R2D02	02B-A1A1B13	02B-A1J1B12	02B-A1R1B11	02B-A1D1D11	02B-A1L1D10
02B-A1D2B05	02B-A1L2B04	02B-A1U2B03	02B-A1D2D03	02B-A1P2D02	AK4 B-A1Y1D13	02B-A1F1B12	02B-A1P1B11	02B-A1A1D11	02B-A1J1D10
02B-A1J2B05	02B-A1R2B04	02B-A1A2B03	02B-A1J2D03	02B-A1U2D02	02B-A1D1B13	02B-A1L1B12	02B-A1U1B11	02B-A1F1D11	02B-A1P1D10
AB4 B-A1Y2D05	02B-A1F2B04	02B-A1P2B03	02B-A1Y1D09	02B-A1J2D02	02B-A1R1D13	02B-A1A1B12	02B-A1J1B11	02B-A1D1D10	02B-A1L1D10
02B-A1U2D05	02B-A1D2B04	02B-A1L2B03	AG4 B-A1Y2B02	02B-A1F2D02	02B-A1P1D13	02B-A1U1B12	02B-A1R1B11	02B-A1A1D10	02B-A1J1D10
02B-A1R2D05	02B-A1A2B04	02B-A1J2B03	02B-A1U2B02	02B-A1D2D02	02B-A1L1D13	02B-A1A1B12	02B-A1U1B11	02B-A1F1D10	02B-A1P1B10
02B-A1P2D05	AD4 B-A1Y2D04	02B-A1F2B03	02B-A1R2B02	J2B-A1A2D02	02B-A1J1D13	02B-A1R1D12	02B-A1A1B11	02B-A1L1B10	02B-A1U1B10
02B-A1L2D05	02B-A1U2D04	02B-A1D2B03	02B-A1P2B02	AJ4 B-A1Y1B13	02B-A1F1D13	02B-A1J1D12	02B-A1R1B10	02B-A1A1D10	02B-A1J1B10
02B-A1J2D05	02B-A1R2D04	02B-A1A2B03	02B-A1L2B02	02B-A1U1B13	02B-A1D1D13	02B-A1L1D12	AP4 B-A1Y1D11	02B-A1F1B10	

10-13-65 254870

COMMONING BOARD			E
DRIVER CONNECTORS			A
DATE	01-04-66	MACH. 2841RDS2	0
LOG	003	FRAME	0
			1
			000
BRANS P.N. 5374138			
IBM CORP. WTC BLK.			BJ

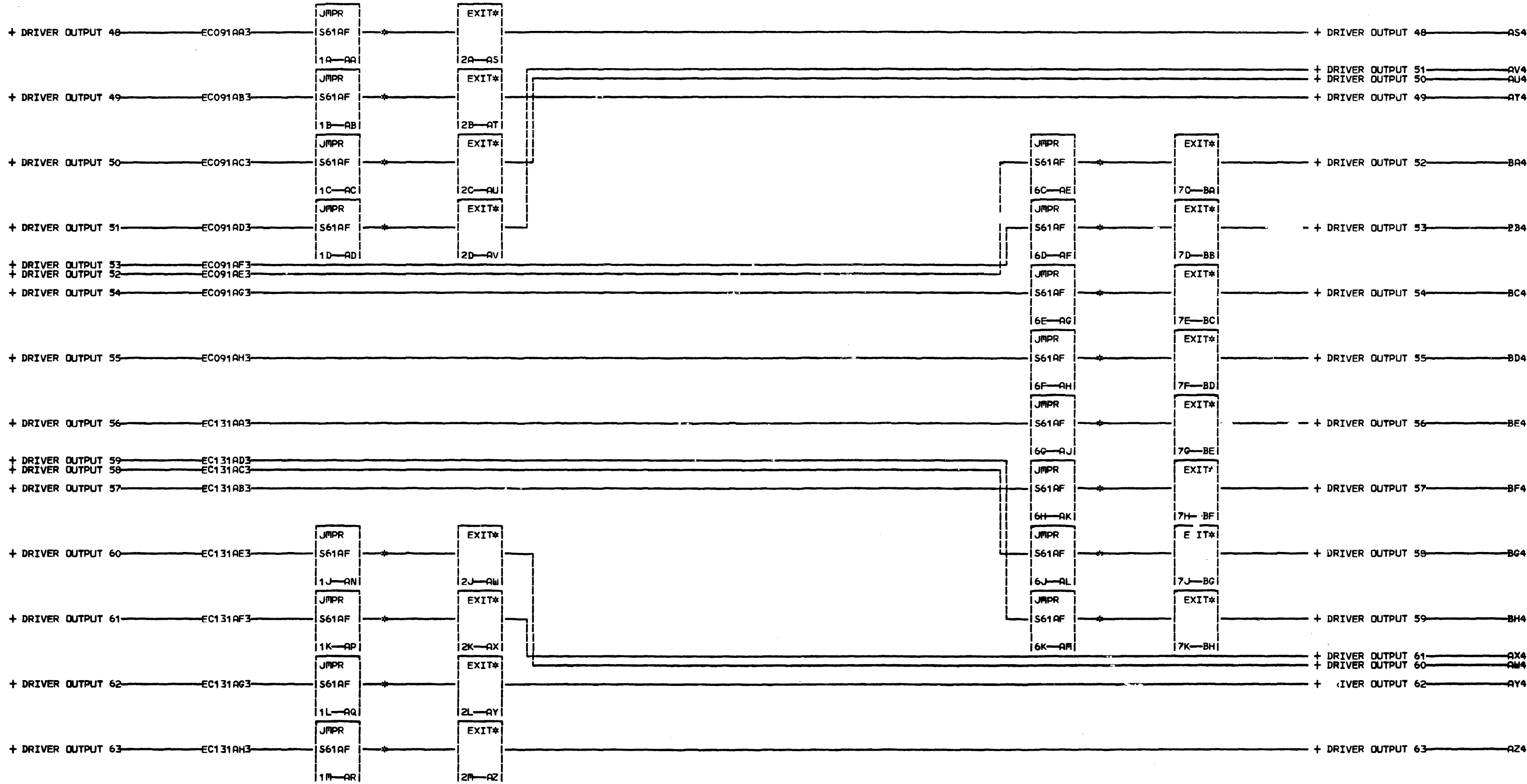
EA091



AA4 B-A1X2B13	02B-A1G2D13	02B-A1Q2D12	02B-A1X1B07	02B-A1K2B10	02B-A1S2B09	02B-A1B2D09	02B-A1K2D08	02B-A1S2D07	02B-A1B2B06
02B-A1V2B13	02B-A1E2D13	02B-A1M2D12	AF4 B-A1X2D11	02B-A1G2B10	02B-A1Q2B09	AL4 B-A1X2B08	02B-A1G2D08	02B-A1Q2D07	02B-A1X2B06
02B-A1S2B13	02B-A1B2D13	02B-A1K2D12	02B-A1V2D11	02B-A1E2B10	02B-A1M2B09	02B-A1V2B08	02B-A1E2D08	02B-A1M2D07	AR4 B-A1X2D06
02B-A1Q2B13	AC4 B-A1X2B12	02B-A1G2D12	02B-A1S2D11	02B-A1B2B10	02B-A1Q2B09	02B-A1S2B08	02B-A1G2D08	02B-A1K2D07	02B-A1V2D06
02B-A1M2B13	02B-A1V2B12	02B-A1E2D12	02B-A1Q2D11	AH4 B-A1X2D10	02B-A1G2B09	02B-A1Q2B08	AN4 B-A1X2B07	02B-A1G2D07	02B-A1S2D06
02B-A1K2B13	02B-A1S2B12	02B-A1B2D12	02B-A1M2D11	02B-A1V2D10	02B-A1E2B09	02B-A1M2B08	02B-A1V2B07	02B-A1E2D07	02B-A1Q2D06
02B-A1Q2B13	02B-A1Q2B12	AE4 B-A1X2B11	02B-A1K2D11	02B-A1S2D10	02B-A1B2B09	02B-A1Q2B08	02B-A1S2B07	02B-A1B2D07	02B-A1M2D06
02B-A1E2B13	02B-A1M2B12	02B-A1V2B11	02B-A1Q2D11	02B-A1G2D10	AK4 B-A1X2D09	02B-A1G2B08	02B-A1Q2B07	AQ4 B-A1X1B08	02B-A1K2D06
02B-A1M2B13	02B-A1K2B12	02B-A1S2B11	02B-A1E2D11	02B-A1M2D10	02B-A1V2D09	02B-A1E2B08	02B-A1M2B07	02B-A1V2B06	02B-A1Q2D06
AB4 B-A1X2D13	02B-A1G2B12	02B-A1Q2B11	02B-A1K2D11	02B-A1S2D10	02B-A1B2D09	02B-A1Q2B08	02B-A1S2B07	02B-A1B2D06	02B-A1G2D06
02B-A1V2D13	02B-A1E2B12	02B-A1M2B11	02B-A1Q2D11	02B-A1G2D10	AG4 B-A1X2B10	02B-A1K2D10	02B-A1M2B07	02B-A1S2B06	02B-A1E2D06
02B-A1S2D13	02B-A1B2B12	02B-A1V2B11	02B-A1M2D10	02B-A1E2D10	02B-A1S2D09	02B-A1B2D08	02B-A1K2B07	02B-A1M2B06	02B-A1Q2D06
02B-A1Q2D13	AD4 B-A1X2D12	02B-A1G2B11	02B-A1K2D10	02B-A1S2B10	02B-A1V2D09	02B-A1E2B08	02B-A1M2B07	02B-A1V2B06	02B-A1G2D06
02B-A1M2D13	02B-A1E2D12	02B-A1Q2B11	02B-A1S2B10	02B-A1B2D10	02B-A1Q2D09	02B-A1Q2D08	02B-A1S2D07	02B-A1K2B06	02B-A1E2D06
02B-A1K2D13	02B-A1M2D12	02B-A1V2B11	02B-A1M2B10	02B-A1E2B09	AJ4 B-A1X2B09	02B-A1G2D09	AP4 B-A1X2D07	02B-A1Q2B06	
		02B-A1B2B11	02B-A1S2B10	02B-A1Q2B09	02B-A1V2B09	02B-A1E2D09	02B-A1M2D08	02B-A1E2B06	

10-13-65 254870

COMMONING BOARD		E
DRIVER CONNECTORS		A
DATE	01-04-66 MACH. 2841R0S2	1
LOG	003 FRAME	0
		1
	BRANS P.No. 5374139	000
IBM CORP.	WTC BLK.	BJ

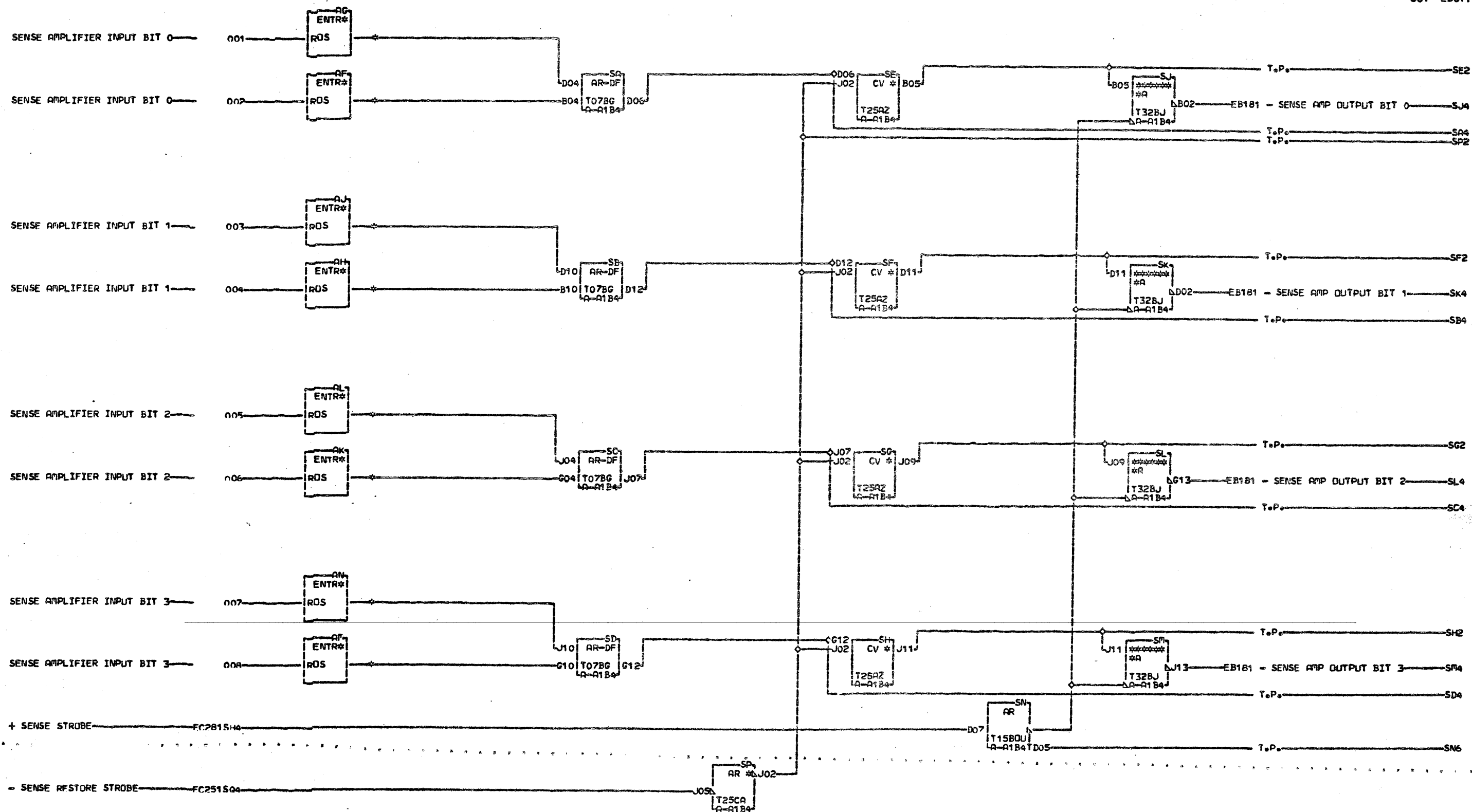


AA4 B-A1 X2B05	02B-A1G2D05	02B-A1Q2D04	AF4 B-A1X1D09	02B-A1G2B02	02B-A1Q1B13	AL4 B-A1X1B12	02B-A1G1D12	02B-A1Q1D11	AR4 B-A1X1D10
02B-A1 V2B05	02B-A1E2D05	02B-A1M2D04	02B-A1 V2D03	02B-A1E2B02	02B-A1M1B13	02B-A1V1B12	02B-A1E1D12	02B-A1M1D11	02B-A1V1D10
02B-A1 S2B05	02B-A1B2D05	02B-A1K2D04	02B-A1 S2D03	02B-A1B2B02	02B-A1K1B13	02B-A1S1B12	02B-A1B1D12	02B-A1K1D11	02B-A1S1D10
02B-A1 Q2B05	AC4 B-A1X2B04	02B-A1G2D04	02B-A1 Q2D03	02B-A1X2D02	02B-A1Q1B12	02B-A1S1B11	02B-A1B1B12	02B-A1Q1D11	02B-A1S1D10
02B-A1 M2B05	02B-A1 V2B04	02B-A1E2D04	02B-A1 M2D03	02B-A1E2D02	02B-A1M1B12	02B-A1V1B11	02B-A1E1D11	02B-A1M1D10	02B-A1V1D09
02B-A1 K2B05	02B-A1 S2B04	02B-A1B2D04	02B-A1 K2D03	02B-A1B2D02	02B-A1K1B12	02B-A1S1B10	02B-A1B1D11	02B-A1K1D10	02B-A1S1D09
02B-A1 G2B05	02B-A1 Q2B04	02B-A1G2D04	02B-A1 G2D03	02B-A1Q2D02	02B-A1G1B12	02B-A1V1B10	02B-A1E1D10	02B-A1G1D10	02B-A1V1D08
02B-A1 E2B05	02B-A1 M2B04	02B-A1E2D04	02B-A1 E2D03	02B-A1M2D02	02B-A1E1B12	02B-A1S1B10	02B-A1B1B10	02B-A1E1D09	02B-A1S1D08
02B-A1 B2B05	02B-A1 K2B04	02B-A1B2D04	02B-A1 B2D03	02B-A1K2D02	02B-A1K1B12	02B-A1V1B10	02B-A1E1D09	02B-A1K1D09	02B-A1V1D07
02B-A1 X2D05	02B-A1 G2B04	02B-A1G2D04	02B-A1 X2D02	02B-A1G2D02	02B-A1X1D13	02B-A1S1B10	02B-A1B1B10	02B-A1X1D10	02B-A1S1D07
02B-A1 V2D05	02B-A1 E2B04	02B-A1E2D04	02B-A1 V2D02	02B-A1E2D02	02B-A1V1D13	02B-A1V1B10	02B-A1E1B10	02B-A1V1D09	02B-A1E1D06
02B-A1 S2D05	02B-A1 M2B04	02B-A1M2D04	02B-A1 S2D02	02B-A1M2D02	02B-A1S1D13	02B-A1S1B10	02B-A1B1B10	02B-A1S1D08	02B-A1B1D09
02B-A1 Q2D05	02B-A1 K2B04	02B-A1K2D04	02B-A1 Q2D02	02B-A1K2D02	02B-A1Q1D13	02B-A1V1D10	02B-A1E1B10	02B-A1Q1D09	02B-A1V1D06
02B-A1 M2D05	02B-A1 G2B04	02B-A1G2D04	02B-A1 M2D02	02B-A1M2D02	02B-A1M1D13	02B-A1S1D10	02B-A1B1B10	02B-A1M1D09	02B-A1S1D06
02B-A1 K2D05	02B-A1 E2B04	02B-A1E2D04	02B-A1 K2D02	02B-A1K2D02	02B-A1K1D13	02B-A1V1D10	02B-A1E1B10	02B-A1K1D09	02B-A1V1D05
	AD4 B-A1X2D04	02B-A1G2B03	02B-A1 Q2B02	02B-A1G2B02	02B-A1Q1D12	02B-A1S1D10	02B-A1B1B10	02B-A1Q1D08	02B-A1S1D05
	02B-A1 V2D04	02B-A1E2B03	02B-A1 M2B02	02B-A1E2B02	02B-A1V1D12	02B-A1V1D10	02B-A1E1B10	02B-A1V1D09	02B-A1E1D04
	02B-A1 S2D04	02B-A1B2B03	02B-A1 K2B02	02B-A1B2B02	02B-A1S1D12	02B-A1S1D10	02B-A1B1B10	02B-A1S1D09	02B-A1B1D09
	02B-A1 Q2D04	02B-A1G2B03	02B-A1 Q2B02	02B-A1G2B02	02B-A1Q1D12	02B-A1V1D10	02B-A1E1B10	02B-A1Q1D08	02B-A1V1D04
	02B-A1 M2D04	02B-A1E2B03	02B-A1 M2B02	02B-A1E2B02	02B-A1M1D12	02B-A1S1D10	02B-A1B1B10	02B-A1M1D09	02B-A1S1D04
	02B-A1 K2D04	02B-A1B2B03	02B-A1 K2B02	02B-A1B2B02	02B-A1K1D12	02B-A1V1D10	02B-A1E1B10	02B-A1K1D09	02B-A1V1D03
		02B-A1G2B02	02B-A1 Q2B01	02B-A1G2B01	02B-A1Q1D11	02B-A1S1D10	02B-A1B1B10	02B-A1Q1D07	02B-A1S1D03
		02B-A1E2B02	02B-A1 M2B01	02B-A1E2B01	02B-A1V1D11	02B-A1V1D10	02B-A1E1B10	02B-A1V1D08	02B-A1E1D03
		02B-A1B2B02	02B-A1 K2B01	02B-A1B2B01	02B-A1S1D11	02B-A1S1D10	02B-A1B1B10	02B-A1S1D08	02B-A1B1D08
		02B-A1G2B01	02B-A1 Q2B01	02B-A1G2B01	02B-A1Q1D11	02B-A1V1D10	02B-A1E1B10	02B-A1Q1D07	02B-A1V1D02
		02B-A1E2B01	02B-A1 M2B01	02B-A1E2B01	02B-A1V1D11	02B-A1S1D10	02B-A1B1B10	02B-A1V1D07	02B-A1E1D02
		02B-A1B2B01	02B-A1 K2B01	02B-A1B2B01	02B-A1S1D11	02B-A1V1D10	02B-A1E1B10	02B-A1S1D07	02B-A1B1D07
		02B-A1G2B01	02B-A1 Q2B01	02B-A1G2B01	02B-A1Q1D11	02B-A1S1D10	02B-A1B1B10	02B-A1Q1D06	02B-A1S1D02
		02B-A1E2B01	02B-A1 M2B01	02B-A1E2B01	02B-A1V1D11	02B-A1V1D10	02B-A1E1B10	02B-A1V1D06	02B-A1E1D02
		02B-A1B2B01	02B-A1 K2B01	02B-A1B2B01	02B-A1S1D11	02B-A1S1D10	02B-A1B1B10	02B-A1S1D06	02B-A1B1D06
		02B-A1G2B01	02B-A1 Q2B01	02B-A1G2B01	02B-A1Q1D11	02B-A1V1D10	02B-A1E1B10	02B-A1Q1D05	02B-A1V1D01
		02B-A1E2B01	02B-A1 M2B01	02B-A1E2B01	02B-A1V1D11	02B-A1S1D10	02B-A1B1B10	02B-A1V1D05	02B-A1E1D01
		02B-A1B2B01	02B-A1 K2B01	02B-A1B2B01	02B-A1S1D11	02B-A1V1D10	02B-A1E1B10	02B-A1S1D05	02B-A1B1D05
		02B-A1G2B01	02B-A1 Q2B01	02B-A1G2B01	02B-A1Q1D11	02B-A1S1D10	02B-A1B1B10	02B-A1Q1D04	02B-A1S1D01
		02B-A1E2B01	02B-A1 M2B01	02B-A1E2B01	02B-A1V1D11	02B-A1V1D10	02B-A1E1B10	02B-A1V1D04	02B-A1E1D01
		02B-A1B2B01	02B-A1 K2B01	02B-A1B2B01	02B-A1S1D11	02B-A1S1D10	02B-A1B1B10	02B-A1S1D04	02B-A1B1D04
		02B-A1G2B01	02B-A1 Q2B01	02B-A1G2B01	02B-A1Q1D11	02B-A1V1D10	02B-A1E1B10	02B-A1Q1D03	02B-A1V1D00
		02B-A1E2B01	02B-A1 M2B01	02B-A1E2B01	02B-A1V1D11	02B-A1S1D10	02B-A1B1B10	02B-A1V1D03	02B-A1E1D00
		02B-A1B2B01	02B-A1 K2B01	02B-A1B2B01	02B-A1S1D11	02B-A1V1D10	02B-A1E1B10	02B-A1S1D03	02B-A1B1D03
		02B-A1G2B01	02B-A1 Q2B01	02B-A1G2B01	02B-A1Q1D11	02B-A1S1D10	02B-A1B1B10	02B-A1Q1D02	02B-A1S1D00
		02B-A1E2B01	02B-A1 M2B01	02B-A1E2B01	02B-A1V1D11	02B-A1V1D10	02B-A1E1B10	02B-A1V1D02	02B-A1E1D00
		02B-A1B2B01	02B-A1 K2B01	02B-A1B2B01	02B-A1S1D11	02B-A1S1D10	02B-A1B1B10	02B-A1S1D02	02B-A1B1D02
		02B-A1G2B01	02B-A1 Q2B01	02B-A1G2B01	02B-A1Q1D11	02B-A1V1D10	02B-A1E1B10	02B-A1Q1D01	02B-A1V1D00
		02B-A1E2B01	02B-A1 M2B01	02B-A1E2B01	02B-A1V1D11	02B-A1S1D10	02B-A1B1B10	02B-A1V1D01	02B-A1E1D00
		02B-A1B2B01	02B-A1 K2B01	02B-A1B2B01	02B-A1S1D11	02B-A1V1D10	02B-A1E1B10	02B-A1S1D01	02B-A1B1D01

10-13-65 254870

COMMONING BOARD			E
DRIVER CONNECTORS			A
DATE	01-04-66	MACH. 2841ROS2	1
LOG	003	FRAN	02
BRANS P.No. 5374140			1
IBM CORP.	WTC BLK.		000
			BJ

E
A
1
1
1
000



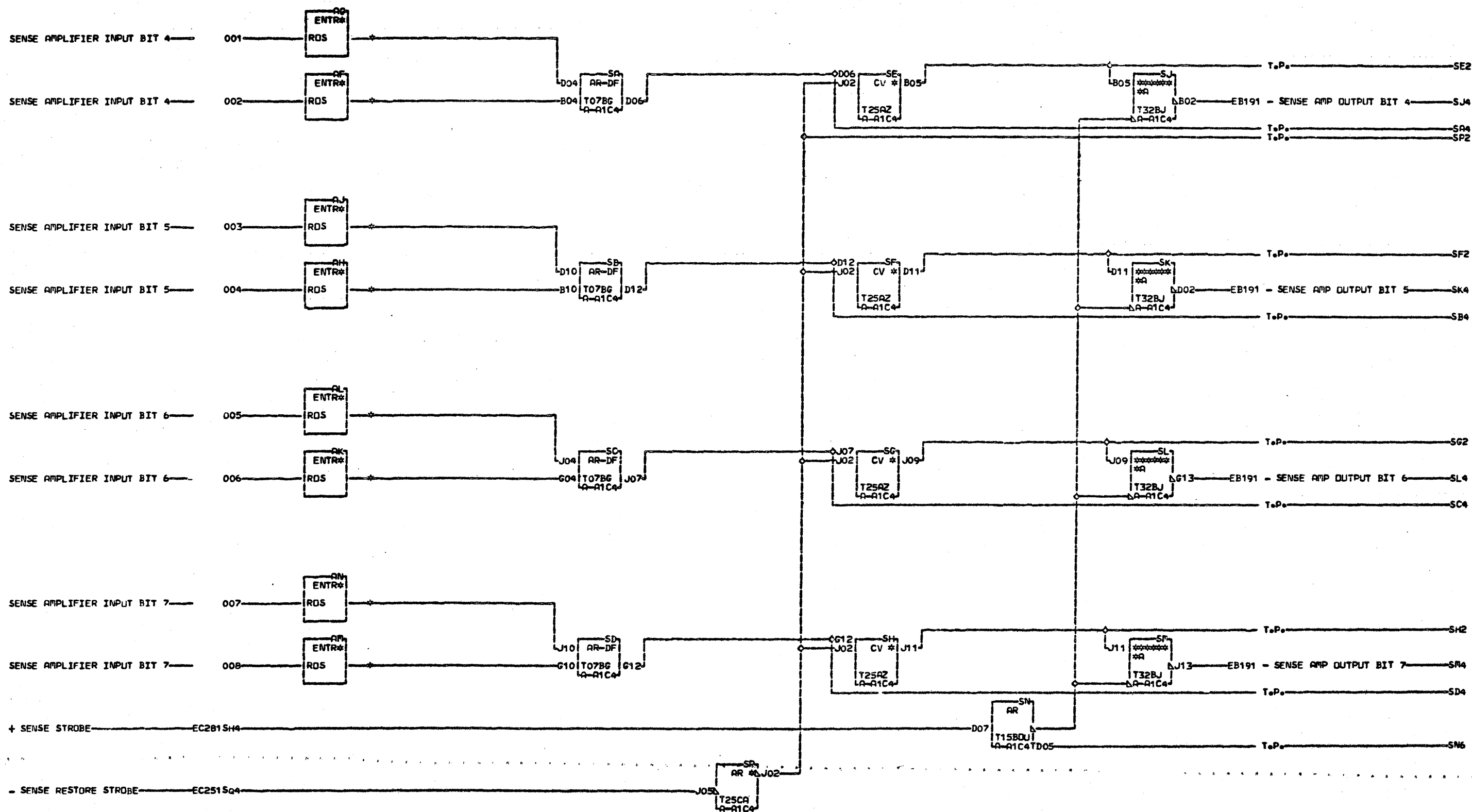
NETS 001 THRU 008 ARE TWISTED
PAIRS FROM SENSE PANEL
AND ARE CONNECTED TO
BACK OF LARGE BOARD A1 WITH
CONNECTOR P.N. 521 3092

001
SIN TO PN 5374141 EC 551634

- QF4 A-01A4R07
- AG4 A-01A4D07
- AH4 A-01A4B08
- AJ4 A-01A4D09
- AK4 A-01A5B02
- AL4 A-01A5D02
- AM4 A-01A5B08
- AN4 A-01A5D09

LDC TYPE
A-A1B4 4784

CR SENSE AMPLIFIERS		E B O 1 1
—E-C—HISTORY	RACH-2841RDS2	
DATE LAST EC	FRAME 02	001
11-01-67 551682	IBR CORP. SDD	
	P.No. 767931	



NETS 001 THRU 008 ARE TWISTED
 PAIRS FROM SENSE PANEL
 AND ARE CONNECTED TO
 B BACK OF LARGE BOARD A1 WITH
 0 CONNECTOR P.No. 5213092

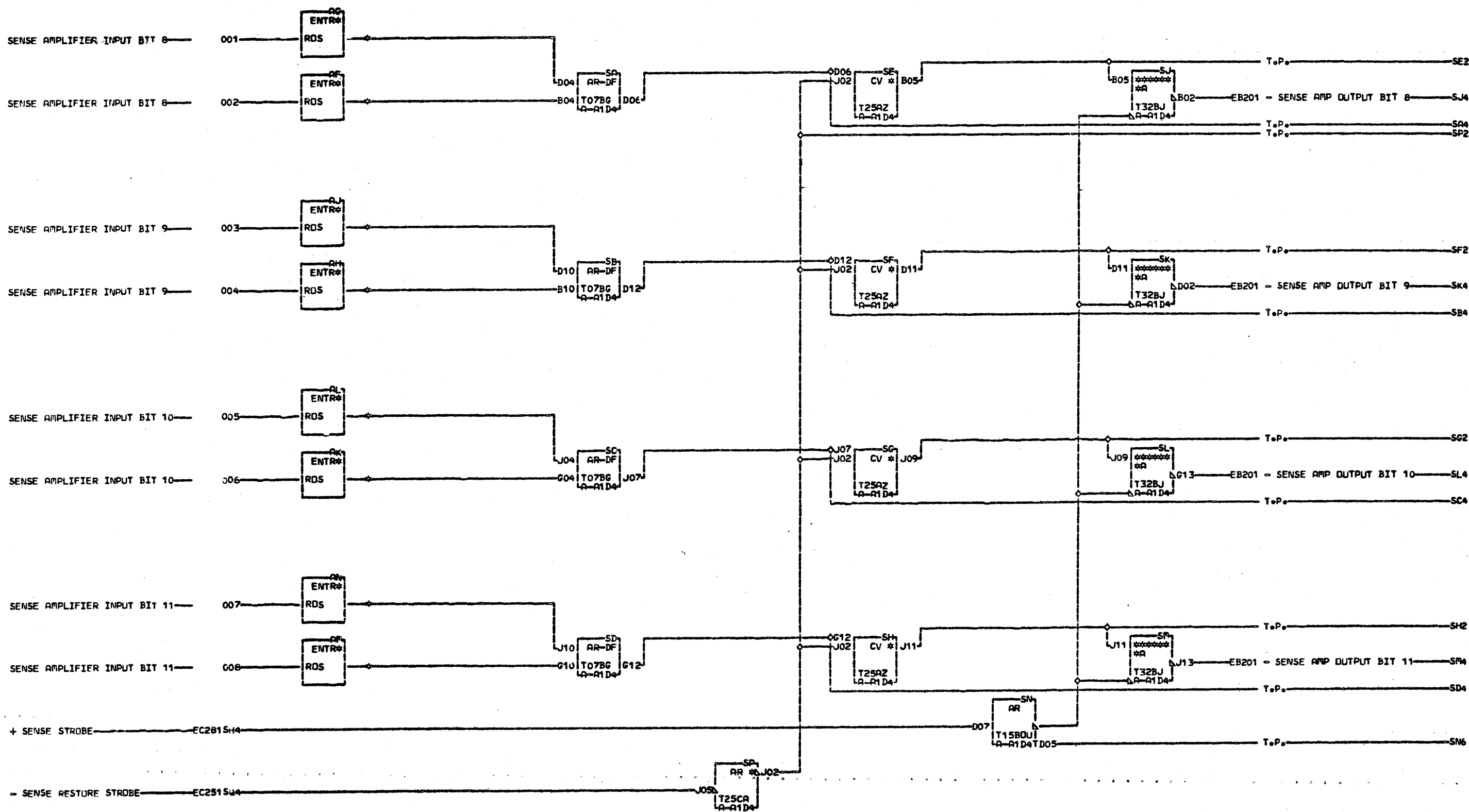
AF4 A-A1A4B03
 AG4 A-A1A4D04
 AH4 A-A1A4B09
 AJ4 A-A1A4D10
 AK4 A-A1A5B03
 AL4 A-A1A5D04
 AM4 A-A1A5B09
 AN4 A-A1A5D10

001
 SIA TO PN 5374142 EC 551634

LOC. TYPE
 A-A1C4 4784

CR SENSE AMPLIFIERS	
—ECC—HISTORY	RACH#2841RDS2
	FRAME 02
	IBM CORP. SDD
DATE 11-01-67	LAST EC 551682
	P.No. 767932

EB021
001



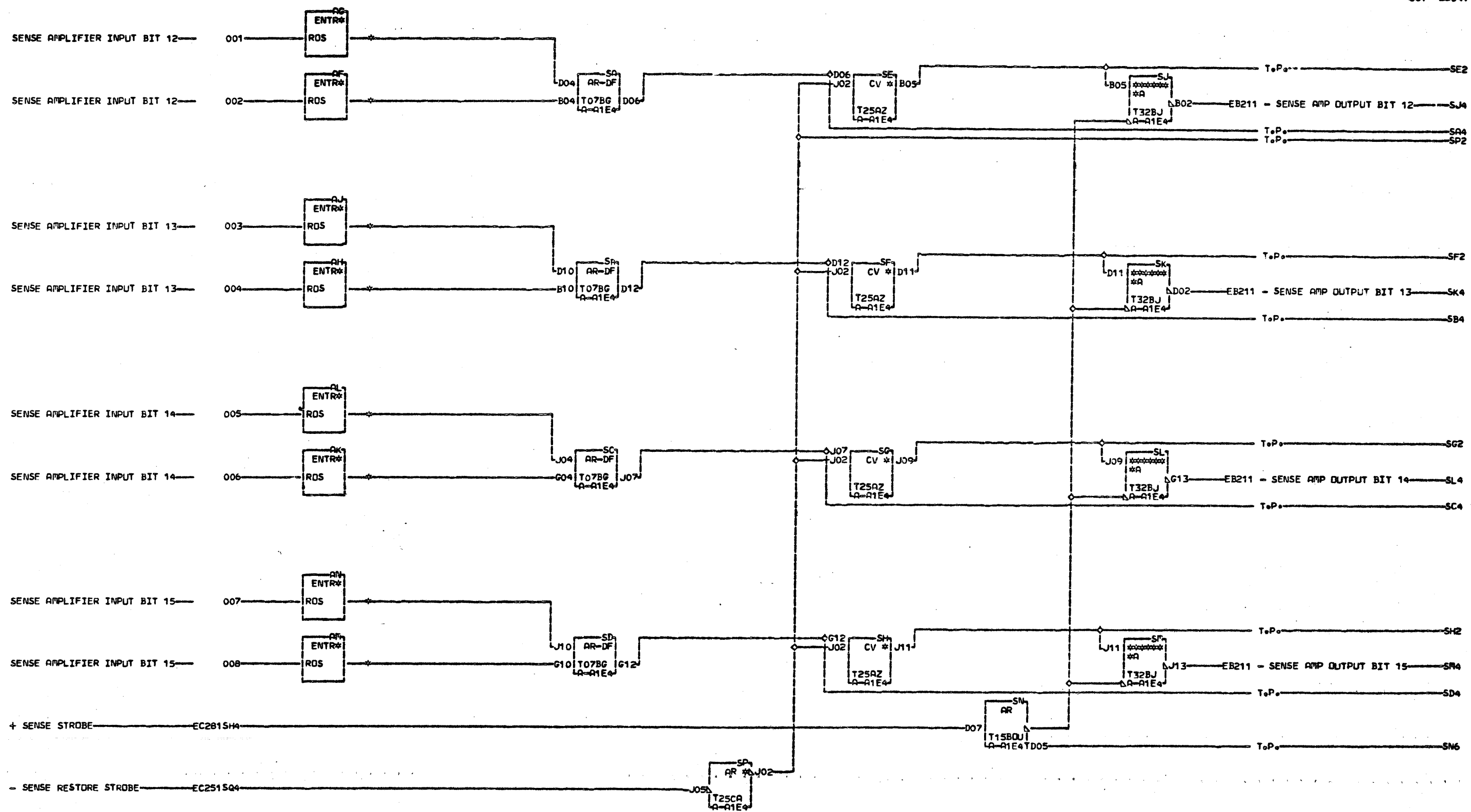
METS 001 THRD 008 ARE TWISTED
 PAIRS FROM SENSE PANEL
 E AND ARE CONNECTED TO
 B BACK OF LARGE BOARD A1 WITH
 O CONNECTOR P.N. 5213092
 3
 1
 001
 SIM TO PN 5374143 EC 551634

- AF4 Q-A1A4B04
- AG4 Q-A1A4D05
- AH4 Q-A1A4B10
- AJ4 Q-A1A4D11
- AK4 Q-A1A5B04
- AL4 Q-A1A5D05
- AM4 Q-A1A5B10
- AN4 Q-A1A5D11

LOC. TYPE
 A-A1D4 4784

CR SENSE AMPLIFIERS	
E-C-HISTORY	MACH#2841R052
DATE	FRAME 02
LAST EC	IBM CORP. SDD
11-01-67 551682	PN# 767933

E BOARD 1001



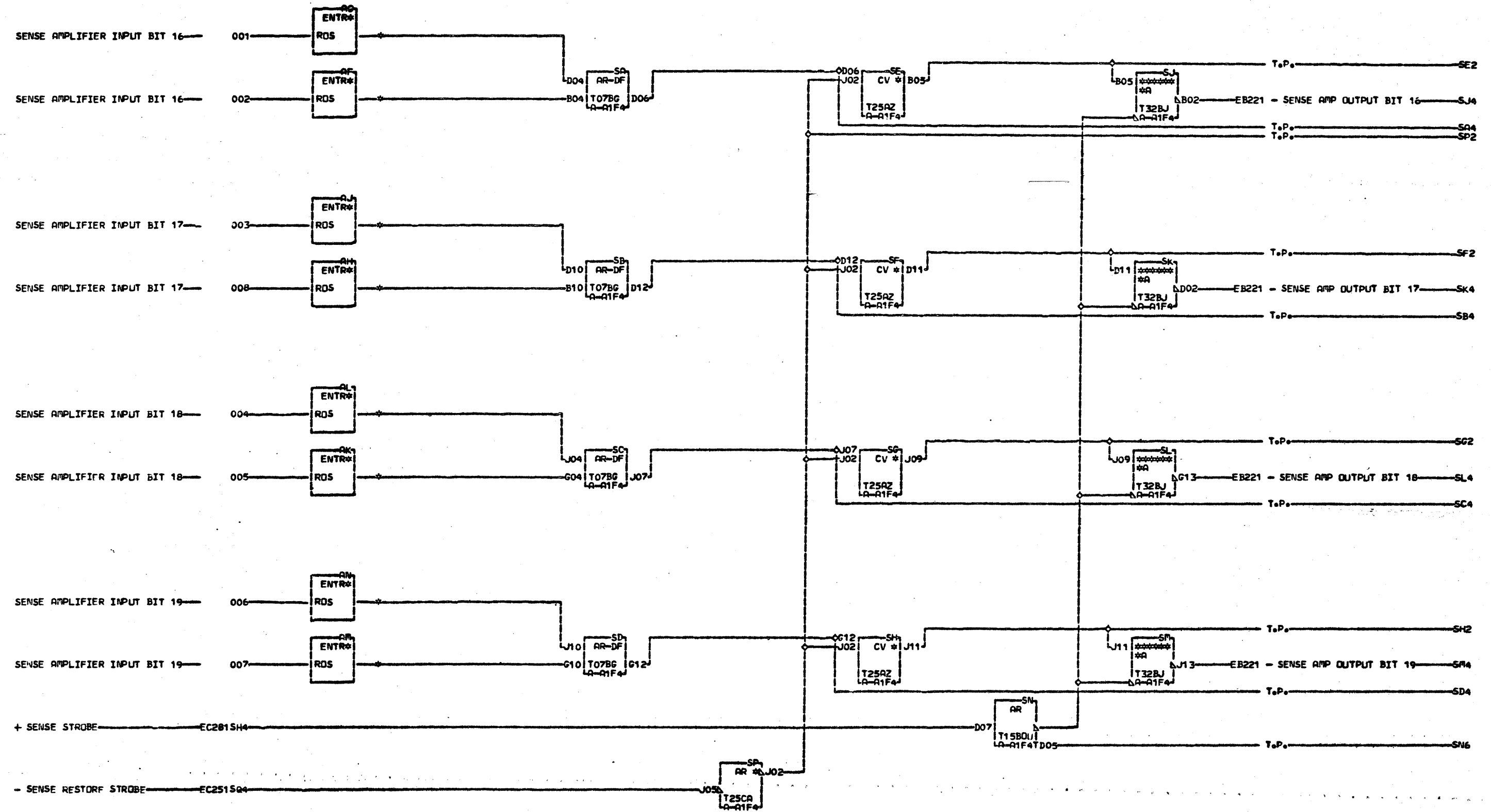
NETS 001 THRU 008 ARE TWISTED
 PAIRS FROM SENSE PANEL
 AND ARE CONNECTED TO
 B BACK OF LARGE BOARD A1 WITH
 CONNECTOR P.No. 5213092

001
 SIM TO PN 5374144 EC 551634

AF4 A-A1A4B05
 AG4 A-A1A4D06
 AH4 A-A1A4B12
 AJ4 A-A1A4D12
 AK4 A-A1A5B05
 AL4 A-A1A5D06
 AM4 A-A1A5B12
 AN4 A-A1A5D12

LOC. TYPE
 A-A1F4 4784

CR SENSE AMPLIFIERS		E B O A 1
—E.C.—HISTORY	MACH. 2841RDS2	
DATE	FRAME 02	
LAST EC	IBM CORP. 5DD	
11-01-67 551682	P.No. 767934	



NETS 001 THRU 008 ARE TWISTED
PAIRS FROM SENSE PANEL
E AND ARE CONNECTED TO
B BACK OF LARGE BOARD A1 WITH
O CONNECTOR P.N. 5213092

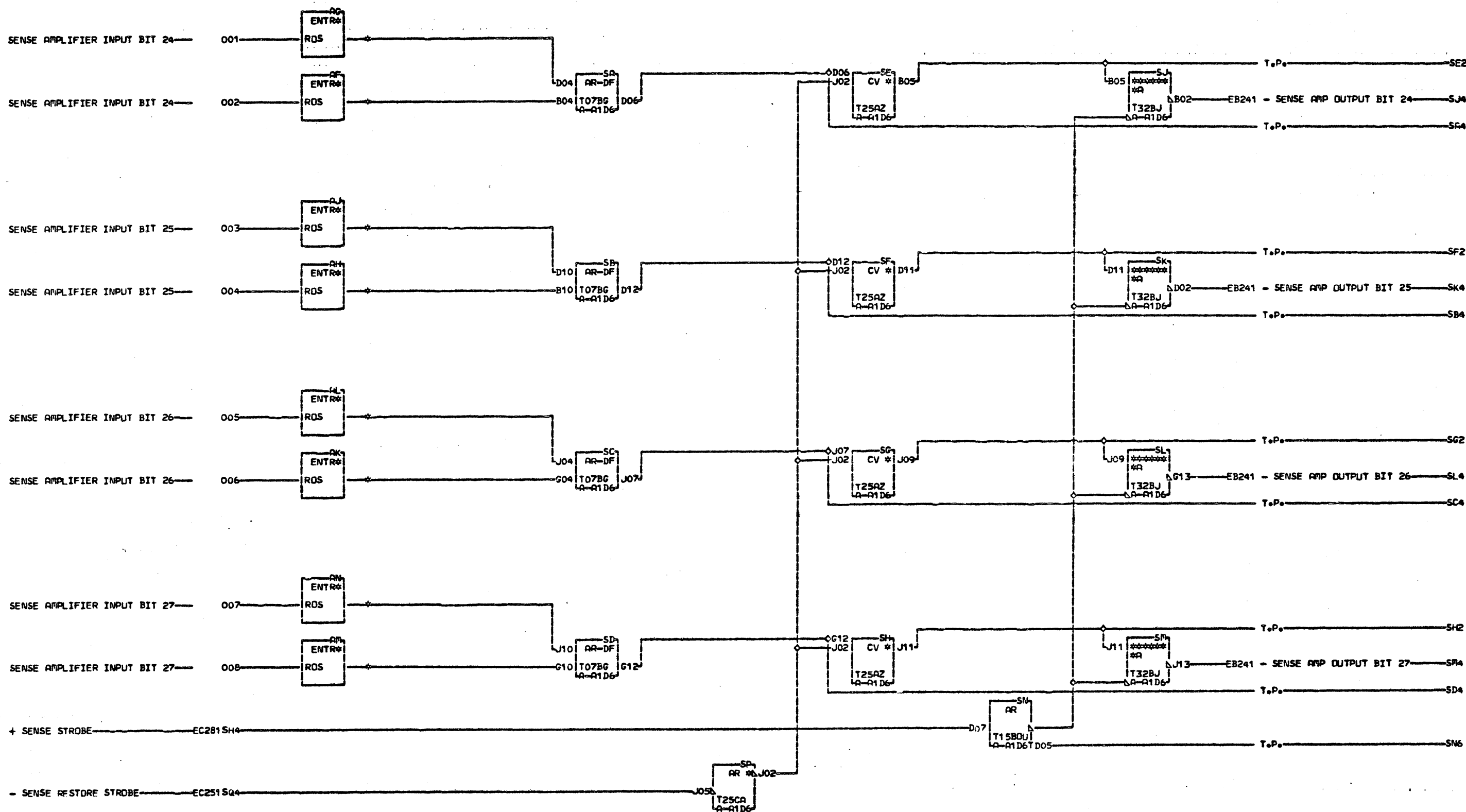
AF4 A-21A4B07
AG4 A-21A4D07
AH4 A-21A4B13
AJ4 A-21A4D13
AK4 A-21A5B07
AL4 A-21A5D07
AM4 A-21A5B13
AN4 A-21A5D13

001
SIA TO PN 5374145 EC 551634

LOC. TYPE
A-21F4 4784

CR SENSE AMPLIFIERS	
—EoC—HISTORY	RACH-2841R052
DATE	FRAME 02
LAST EC	IBN CORP. SDD
11-01-67 551602	PoNo 767935

E B O 5 1
001



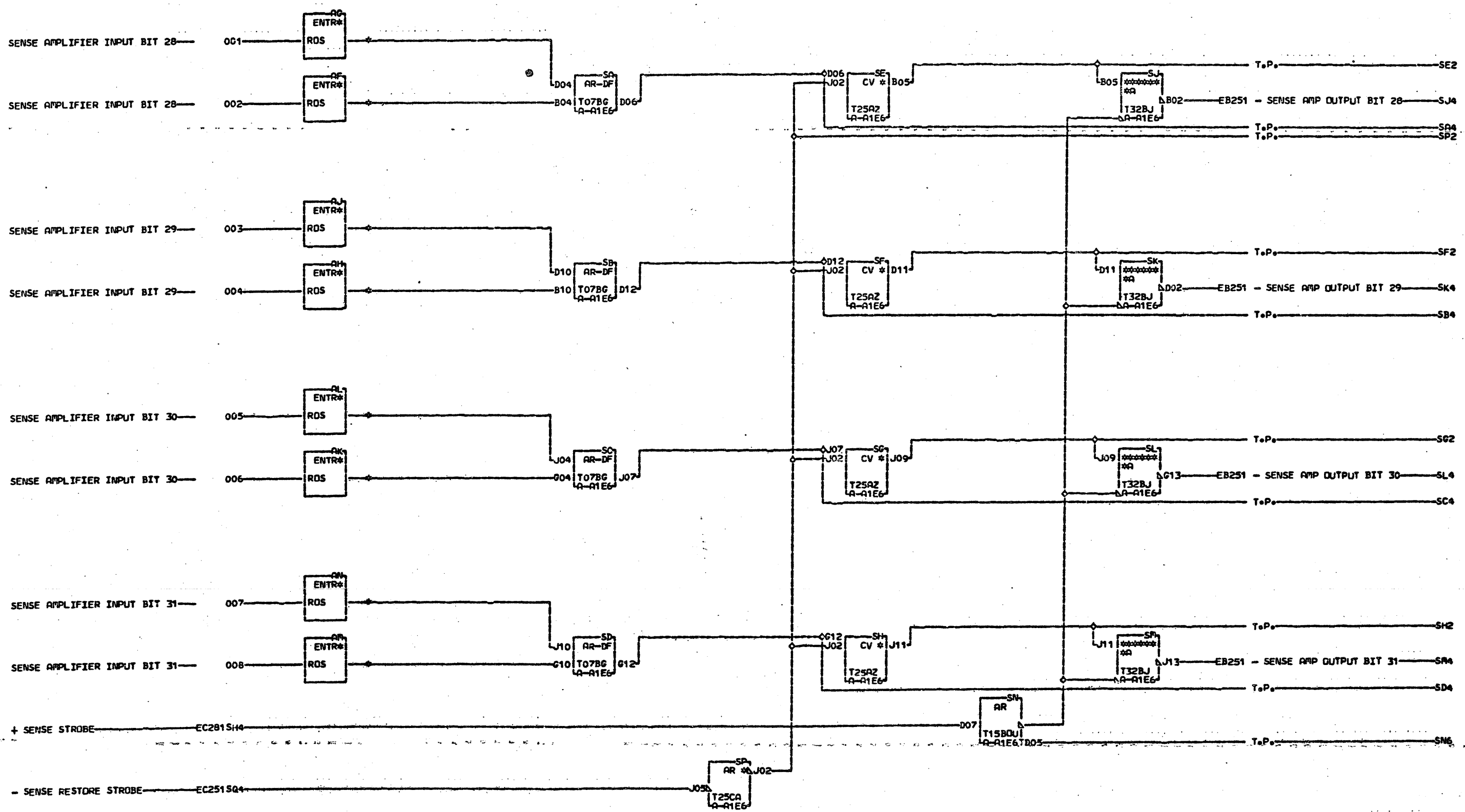
NETS 001 THRU 008 ARE TWISTED
 PAIRS FROM SENSE PANEL
 E AND ARE CONNECTED TO
 B BACK OF LARGE BOARD A1 WITH
 O CONNECTOR P.N. 5213092
 7
 1
 001
 SIM TO PN 5374147 EC 551634

AF4 A-A1A6B03
 AG4 A-A1A6D04
 AH4 A-A1A6B09
 AJ4 A-A1A6D10
 AK4 A-A1A7B03
 AL4 A-A1A7D04
 AN4 A-A1A7B09
 AO4 A-A1A7D10

LDC TYPE
A-A1D6 4784

CR SENSE AMPLIFIERS	
E-Co-HISTORY	MACH#2841R052
DATE LAST EC	FRAME 02
11-01-67 531682	IBM CORP. SDD
	PoNo 767937

EB071



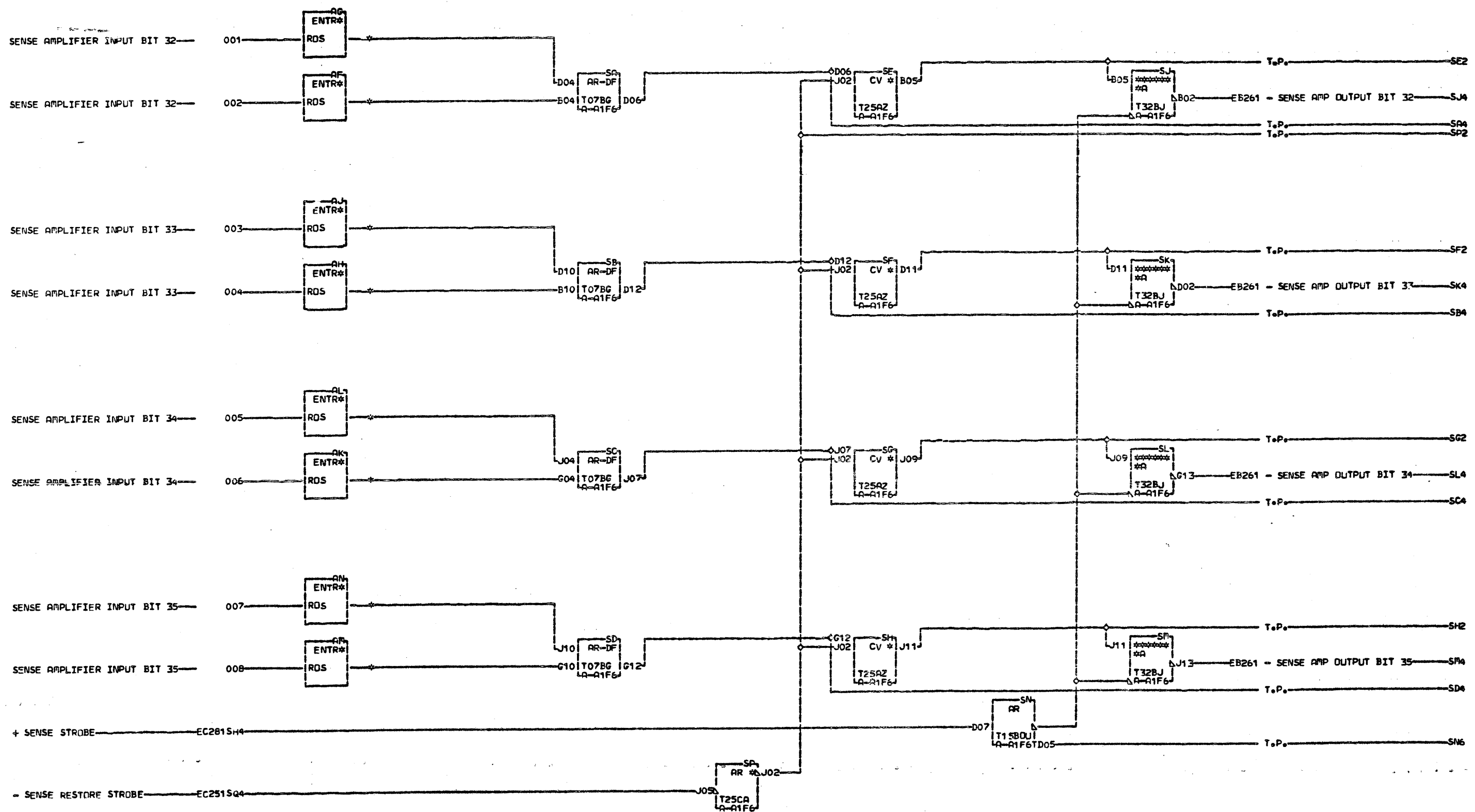
NETS 001 THRU 008 ARE TWISTED
PAIRS FROM SENSE PANEL
AND ARE CONNECTED TO
BACK OF LARGE BOARD A1 WITH
CONNECTOR P.N. 5213092

001
SIM TO PN 5374148 EC 551634

- AF4 A-A1A6B04
- AG4 A-A1A6D05
- AH4 A-A1A6B10
- AJ4 A-A1A6D11
- AK4 A-A1A7B04
- AL4 A-A1A7D05
- AM4 A-A1A7B10
- AN4 A-A1A7D11

LOC. TYPE
A-A1E6 4784

CR SENSE AMPLIFIERS	
E-C-HISTORY	MACH-2841R052
DATE	FRAME 02
LAST EC	IBM CORP. SDD
11-01-67 551682	P.N. 767938



NETS 001 THRU 008 ARE TWISTED
PAIRS FROM SENSE PANEL
AND ARE CONNECTED TO
BACK OF LARGE BOARD A1 WITH
CONNECTOR P.N. 521 3092

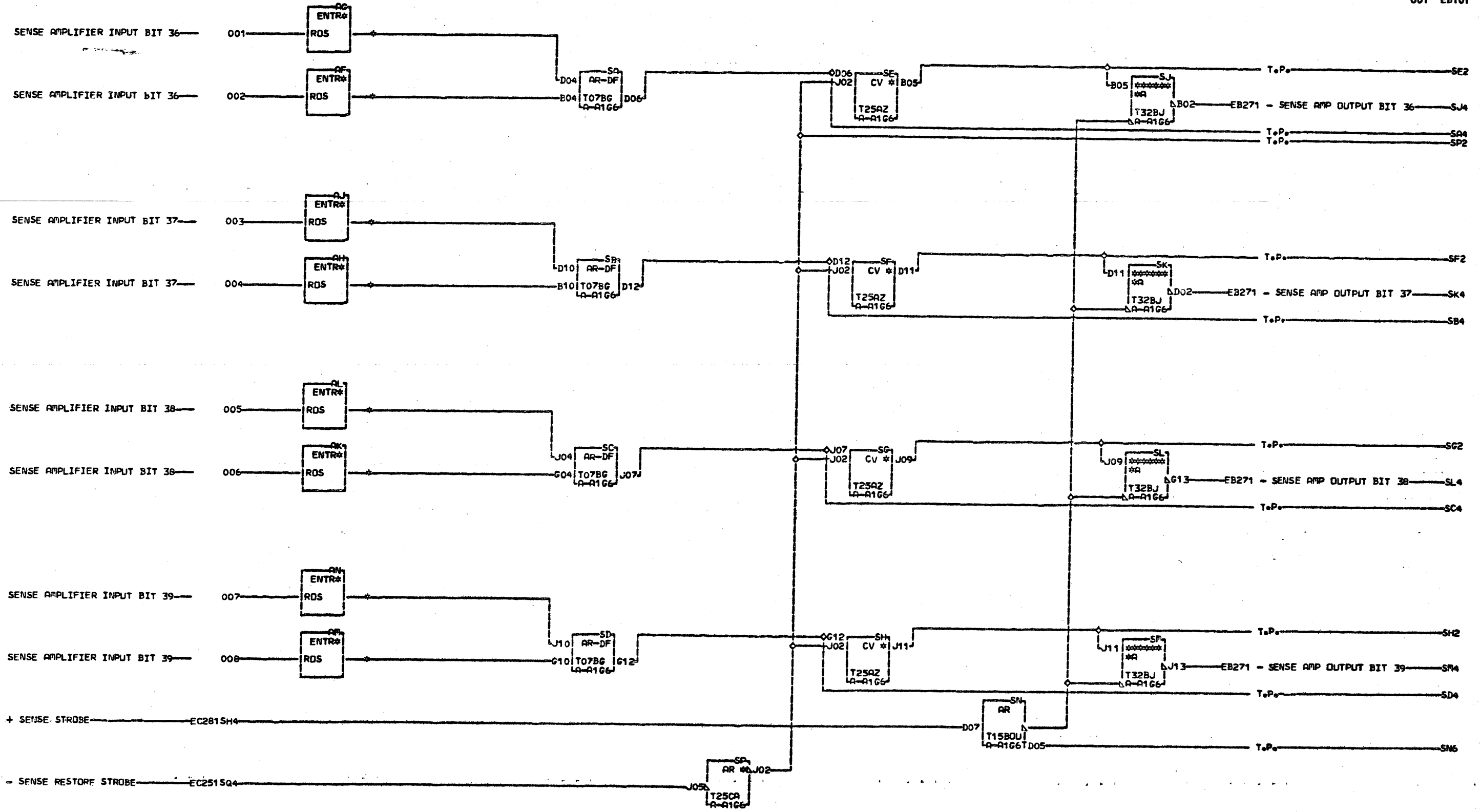
AF4 A-01A6B05
AG4 A-01A6D06
AH4 A-01A6B12
AJ4 A-01A6D12
AK4 A-01A7B05
AL4 A-01A7D06
AM4 A-01A7B12
AN4 A-01A7D12

001 SIM TO PN 5374149 EC 551634

LOC. TYPE
A-01F6 4784

CR SENSE AMPLIFIERS	
E-C-HISTORY	RACH-2841RDS2
DATE	FRAME 02
LAST EC	IBM CORP. SDD
11-01-67 551682	P.N. 767939

E
B
0
9
1
001

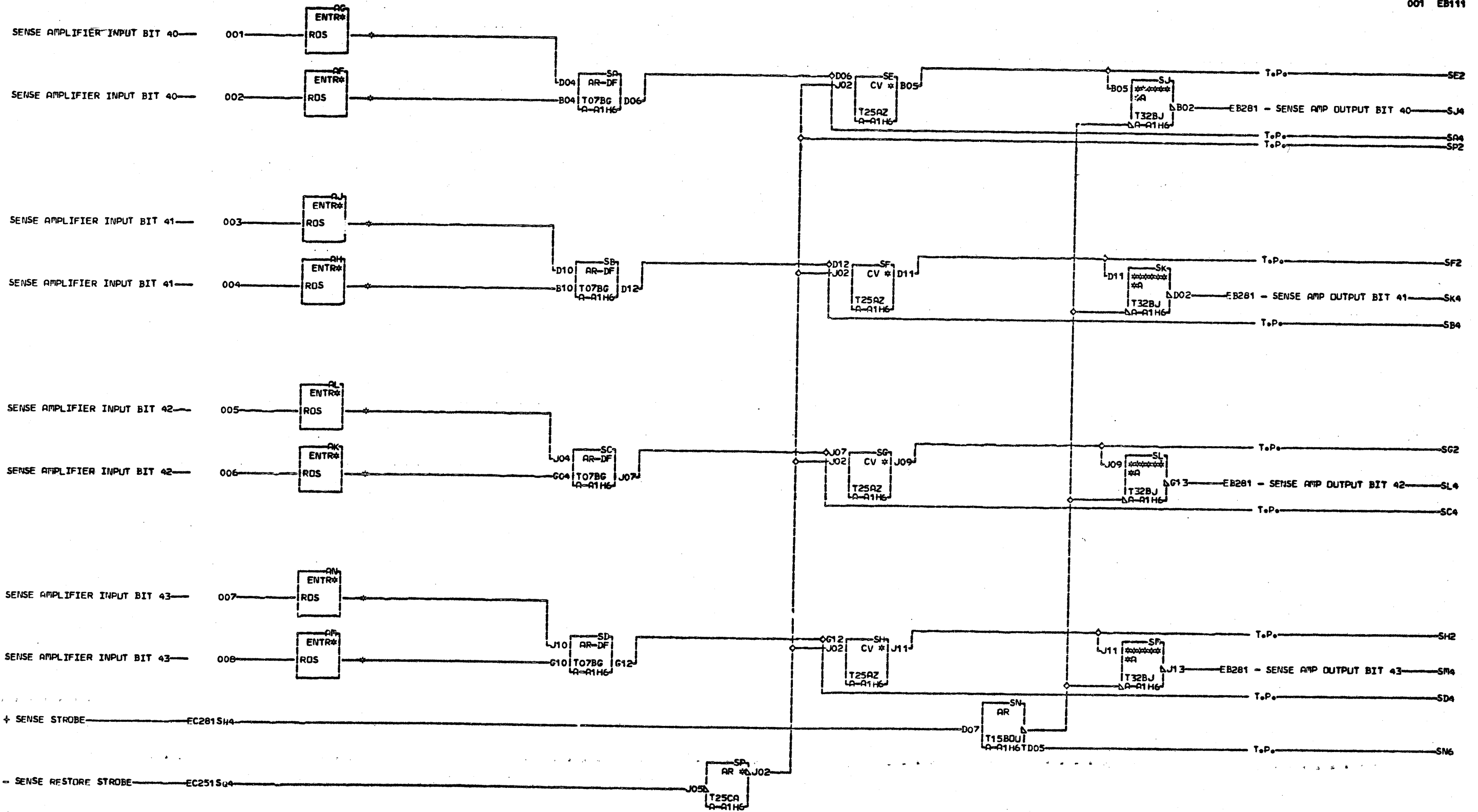


NETS 001 THRU 008 ARE TWISTED
 PAIRS FROM SENSE PANEL
 E AND ARE CONNECTED TO
 B BACK OF LARGE BOARD A1 WITH
 1 CONNECTOR P.No. 5213092
 0
 1
 001
 SIM TO PN 5374150 EC 551634

AF4 A-A1A6B07
 AG4 A-A1A6D07
 AH4 A-A1A6B13
 AJ4 A-A1A6D13
 AK4 A-A1A7B07
 AL4 A-A1A7D07
 AM4 A-A1A7B13
 AN4 A-A1A7D13

LOC. TYPE
 A-1G6 4784

OR SENSE AMPLIFIERS	
EC-HISTORY	MACH: 2841RDS2
DATE LAST EC	FRAME 02
11-01-67 551682	IBM CORP. SDD
	P.No. 767940



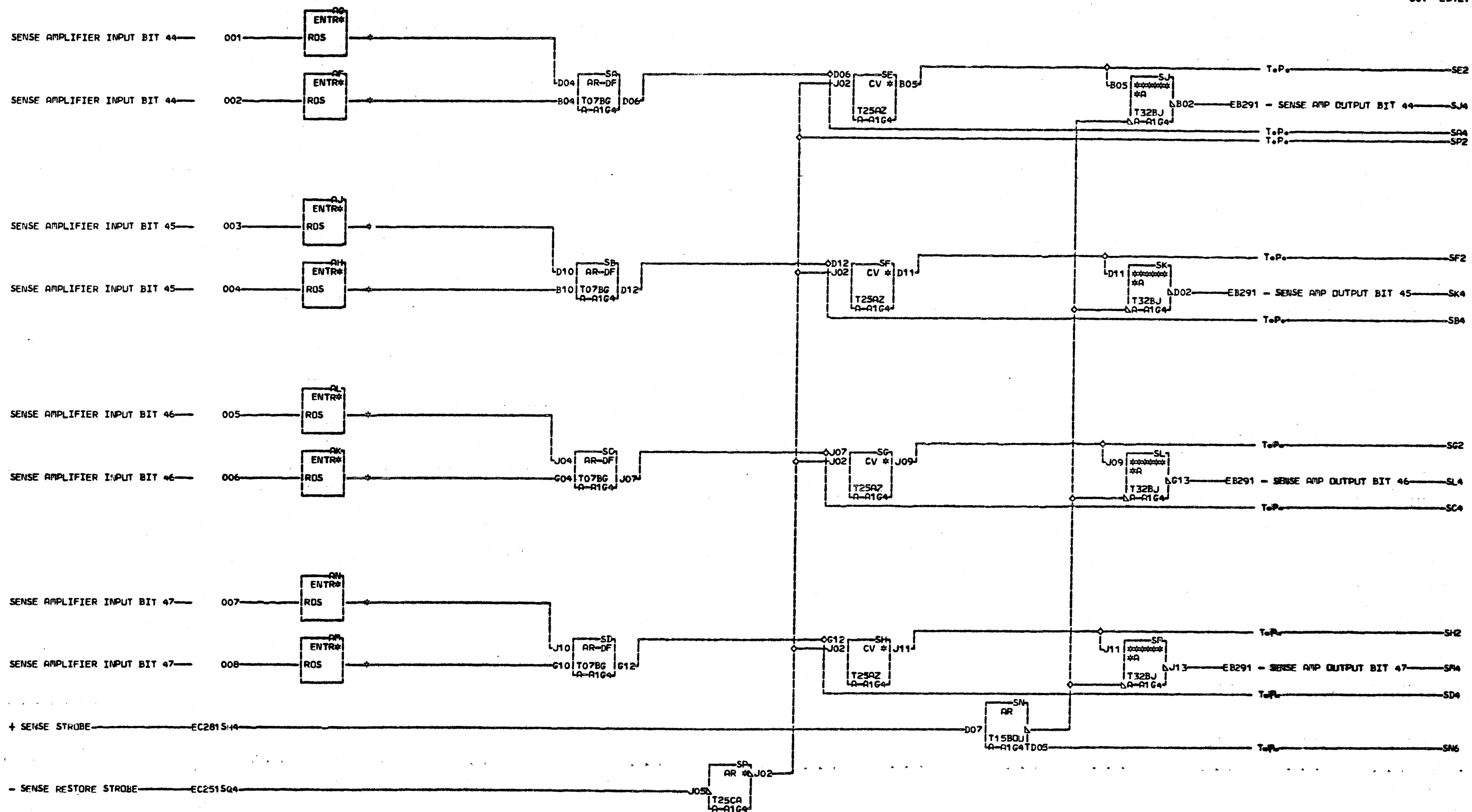
NETS 001 THRU 008 ARE TWISTED
PAIRS FROM SENSE PANEL
AND ARE CONNECTED TO
BACK OF LARGE BOARD A1 WITH
CONNECTOR P.N. 5213092

001
1
1

AF4 Q-0186B02
AG4 Q-0186D02
AH4 Q-0186B08
AJ4 Q-0186D09
AK4 Q-0187B02
AL4 Q-0187D02
AM4 Q-0187B08
AN4 Q-0187D09

LOC. TYPE
A-A1H6 4784

CR SENSE AMPLIFIERS		E B 1 1
-EoC-HISTORY	RACH-2841RDS2	
DATE	FRMR 02	
LAST EC	IBM CORP. SDD	001
11-01-67	PoNo 767941	



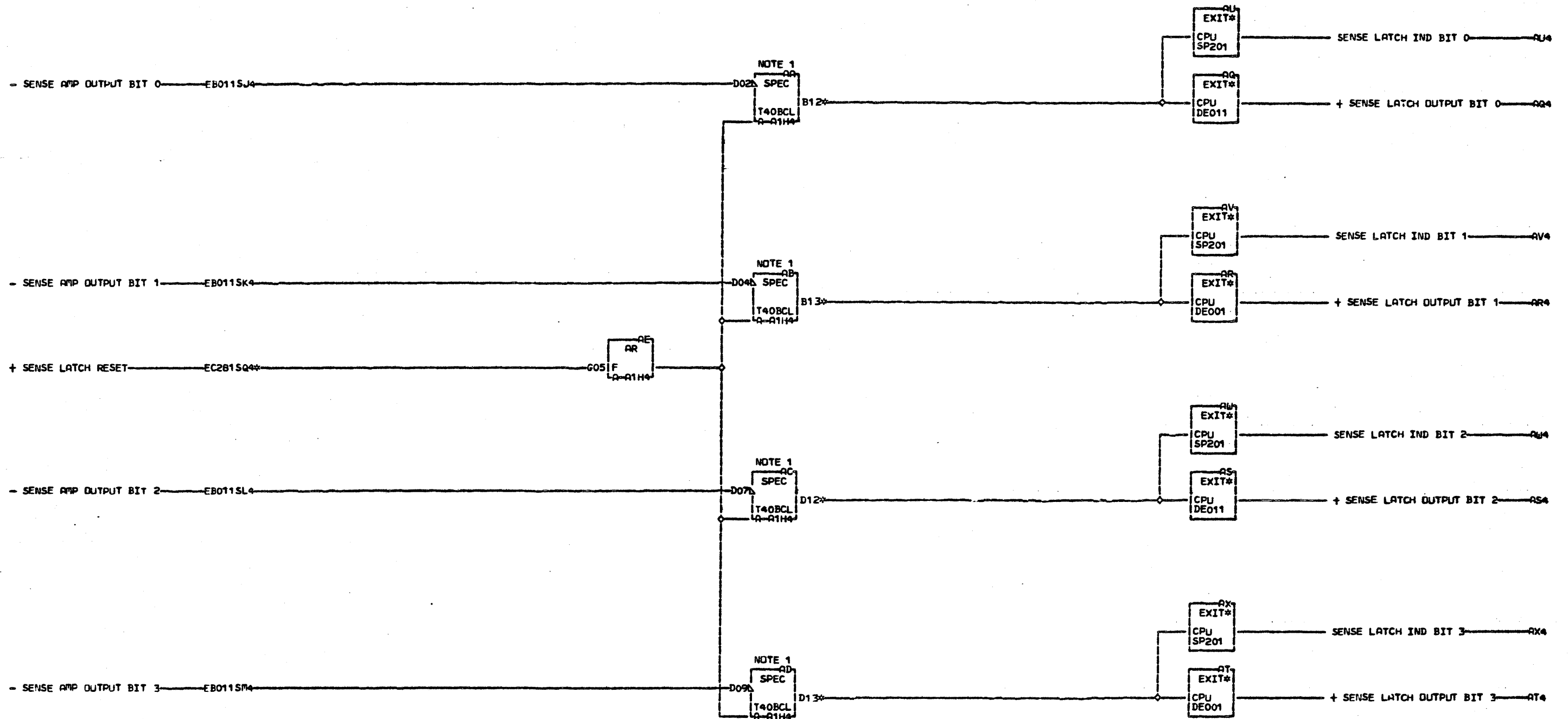
METS 001 THRU 008 ARE TWISTED
PAIRS FROM SENSE PANEL
E AND ARE CONNECTED TO
B BACK OF LARGE BOARD A1 WITH
1 CONNECTOR P.N. 5213092
2
1

- AF4 A-A1B6B03
- AG4 A-A1B6D04
- AH4 A-A1B6B09
- AJ4 A-A1B6D10
- AK4 A-A1B7B03
- AL4 A-A1B7D04
- AM4 A-A1B7B09
- AN4 A-A1B7D10

601 SIM TO PN 5374152 EC 551634

LDC TYPE
A-A1G4 4784

SENSE AMPLIFIERS		
E-CONNECTOR	ACH-28-1RDS2	E
	FRAME	02
	IBR CORP. SDD	2
		1
DATE LAST EC		001
11-01-67 551682	P.No 767942	



NOTE 1.
 CIRCUIT FLYER
 E T40BB APPLIES
 B FOR SMALL CARD
 1 Pn# 5804461 BEFORE
 B Ec# 168038B.
 1

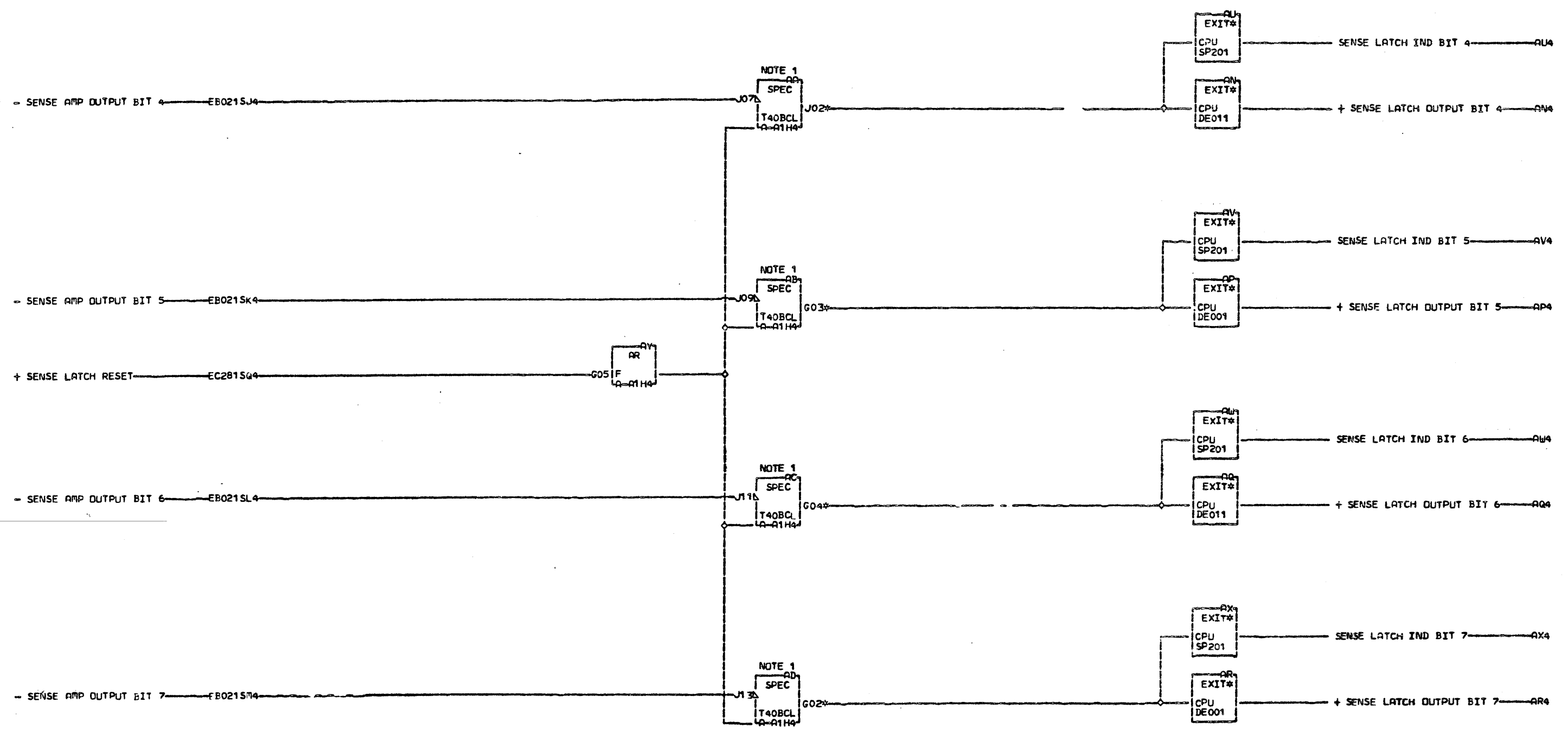
EC281SQ4
 RESISTOR
 A-11H4G05
 AA4 A-11H4B02
 O2A A-11H4B02
 AB4 A-11H4D02
 O2A A-11H4D02
 AC4 A-11H4B03
 O2A A-11H4B03

AD4 A-11H4B04
 O2A A-11H4B04

001
 SIA TO PN 5374153 EC 551670

LOC. TYPE
 A-11H4 4461

SENSE LATCHES	
EoCo-HISTORY	RACH-2841RDS2
FRAME	02 8 1
DATE	LAST EC
11-01-67	551682
IBM CORP. SDD	Pn# 767967



NOTE 1:
 CIRCUIT FLYER
 E T40BB APPLIES
 B FOR SMALL CARD
 1 P.N. 5804461
 9 BEFORE F.C. 168038B.
 1

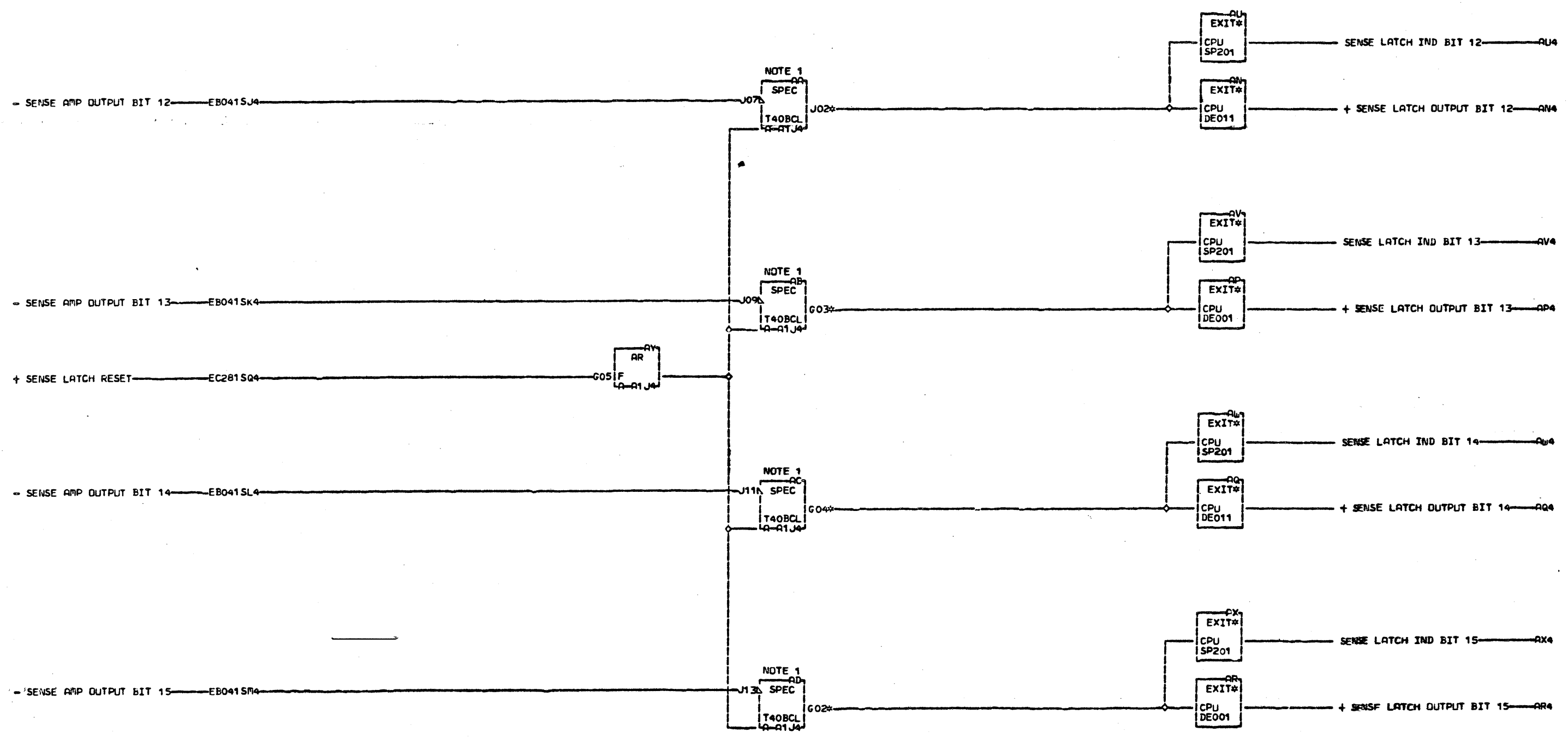
AA4 A-A1N4D04
 02A A1N4D04
 AB4 A-A1N4B05
 02A A1N4B05
 AC4 A-A1N4D05
 02A A1N4D05
 AD4 A-A1N4D06
 02A A1N4D06

001
 SIM TO PN 5374154 EC 551670

LOC. TYPE
 A-A1H4 4461

SENSE LATCHES	
E-C-HISTORY	MACH. 2841R052
DATE LAST EC	FRAME 02
11-01-67 531682	IBM CORP. SDD
	P.N. 767968

EB191
 001



NOTE 1:
 CIRCUIT FLYER
 E T40BB APPLIES
 B FOR SMALL CARD
 2 P.N. 5804461
 1 BEFORE E.C. 168038B.

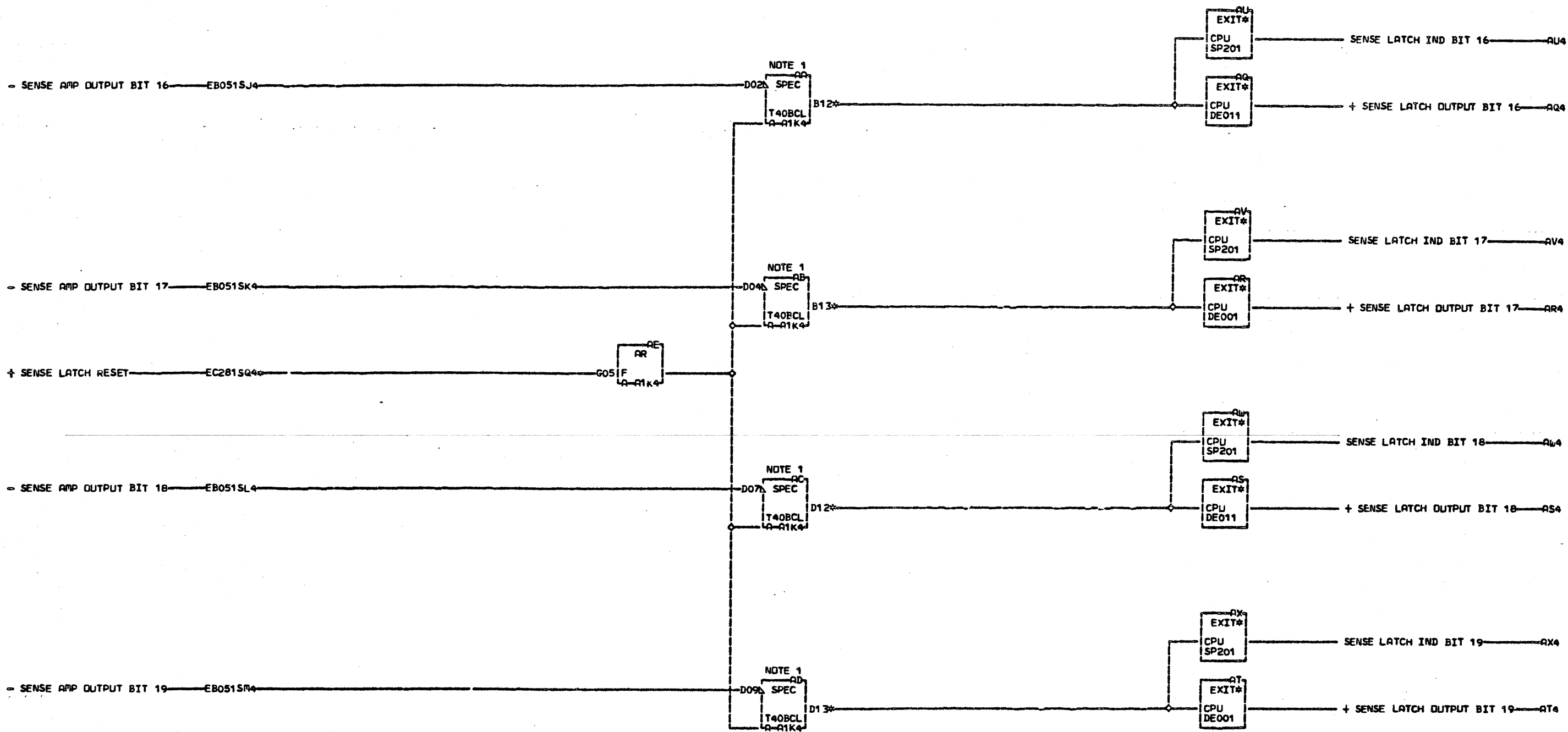
AA	A-A1N4D09
AB	A-A1N4B10
AC	A-A1N4D10
AD	A-A1N4D11
	O2A-A1M4D09
	O2A-A1M4B10
	O2A-A1M4D10
	O2A-A1M4D11

001
 SIM TO PN 5374156 EC 551670

LDC. TYPE
 A-A1J4 4461

SENSE LATCHES	
E-O-HISTORY	FRAMES 2841R052
DATE 11-01-67	LAST EC 5374682
	IBN CORP. SDD
	P.N. 767970

E
B
2
1
1
001



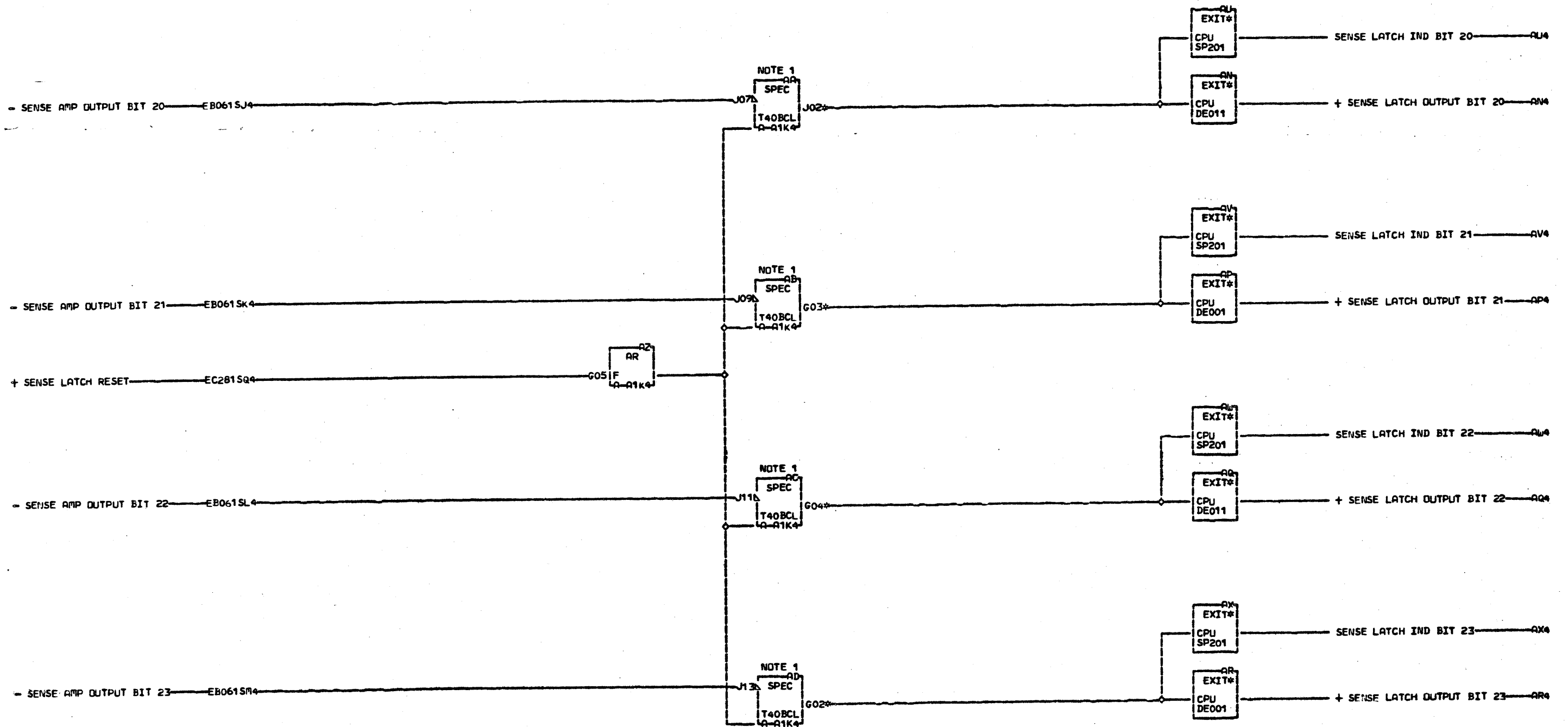
NOTE 1.
CIRCUIT FLYER
E T40BB APPLIES
B FOR SMALL CARD
2 P.No. 5804461
1 BEFORE E.C. 166038B.

EC281SQ4 AD4 A-01N4D13
RESISTOR 02A-A1R4D13
AA4 A-01K4G05
QA4 A-01N4B12
ABA A-01N4D12
Q2A A-01N4D12
ACA A-01N4B13
Q2A A-01R4B13

LDC TYPE
A-01K4 4461

SENSE LATCHES	
E.C. HISTORY	MACH. 2841R052
DATE	FRAME 02
LAST EC	IBM CORP. SDD
11-01-67 551682	P.No. 767971

1 NUMBER



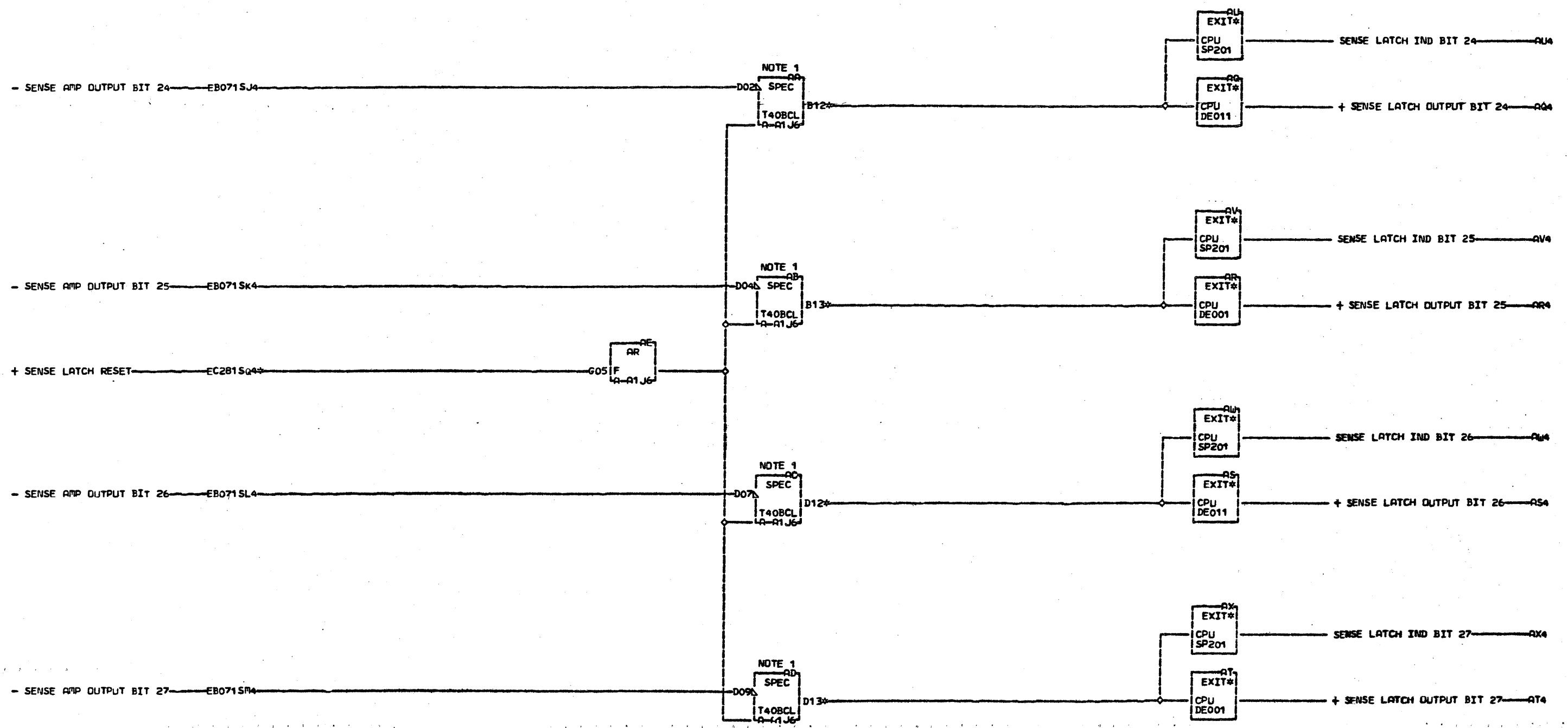
NOTE 1.
CIRCUIT FLYER
E T40BB APPLIES
B FOR SMALL CARD
2 P.N. 5804461
3 BEFORE E.C.
1 168038B.

AA4 A-A1N6B02
02A-A1N6B02
AB4 A-A1N6D02
02A-A1N6D02
AC4 A-A1N6B03
02A-A1N6B03
AD4 A-A1N6B04
02A-A1N6B04

LOC. TYPE
A-A1K4 4461

SENSE LATCHES	
E.C. HISTORY	MACH. 2841R052
DATE LAST EC	FRAME 02
11-01-67 551682	IBM CORP. SDD
	P.N. 767972

13338E
1
001



NOTE 1.
 CIRCUIT FLYER
 T40BB APPLIES
 FOR SPALL CARD
 P.N. 5804461
 BEFORE F.C. 168038B
 1

EC281S04 RESISTOR
 A-R1J6C05
 A-R1J6D04
 02A-R1N6D04
 A-R1N6B05
 02A-R1N6B05
 A-R1N6D05
 02A-R1N6D05

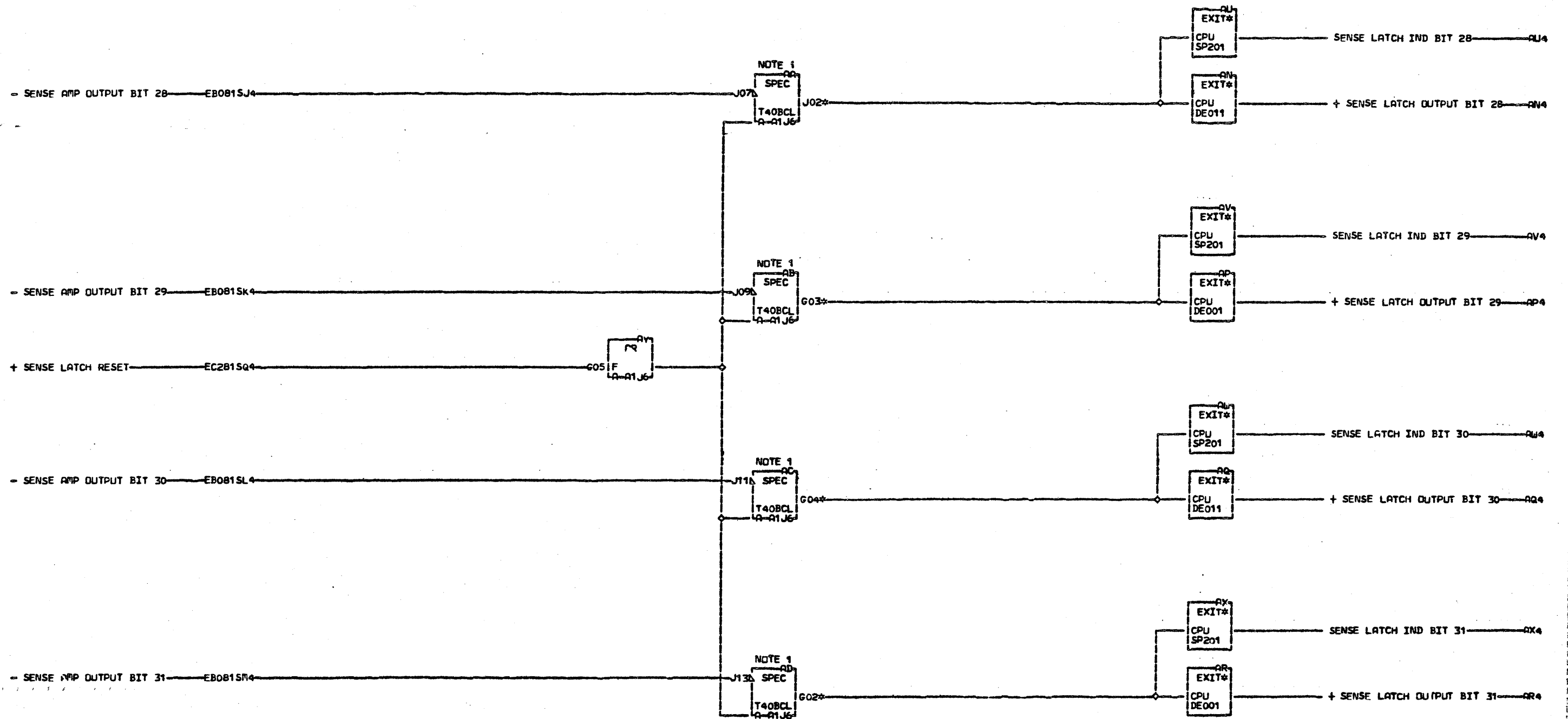
AD-R1N6D06
 02A-R1N6D06

001
 SIR TO PN 5374159 EC 551670 02A-R1N6D05

LDC. TYPE
 A-R1J6 4461

SENSE LATCHES	
E-C-HISTORY	FRAMC 2841ROS2
DATE LAST EC	FRAME 02
11-01-67 551682	IBM CORP. SDD
	P.N. 767973

E
3
2
4
1
001



NOTE 1:
 CIRCUIT FLYER
 T40BB APPLIES
 B FOR SMALL CARD
 P#N# 5804461
 5 BEFORE E.C. 168038B.
 1

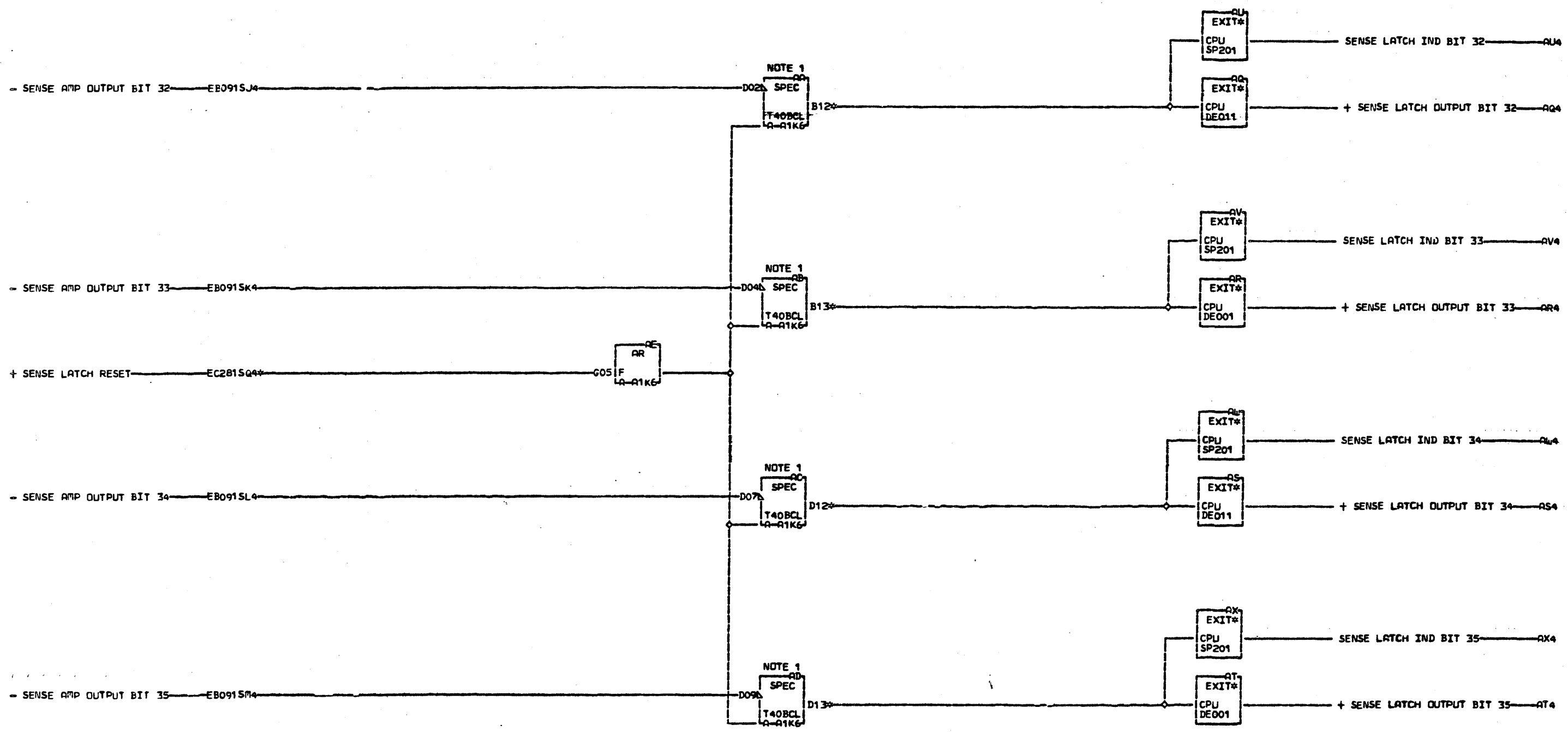
AA4 A-01N6B07
 02A-01R6B07
 AB4 A-01N6D07
 02A-01R6D07
 AC4 A-01N6B08
 02A-01R6B08
 AD4 A-01N6B09
 02A-01R6B09

001
 SIM TO PN 5374160 EC 551670

LOC. TYPE
 A-01J6 4461

SENSE LATCHES	
E.C. HISTORY	FRACH#2041R052
DATE	FRARE 02
LAST EC	IBM CORP. SDD
11-01-67	551682
	P#N# 767974

E
B
2
5
1
001



SPECIAL BLOCKS ARE
 BUFFERED LATCHES
 NOTE 1
 E NOTE 1
 B CIRCUIT FLYER
 2 T40BB APPLIES
 6 FOR LATCH CARD
 1 P.N. 5804461 BEFORE
 E.C. 168038B
 001

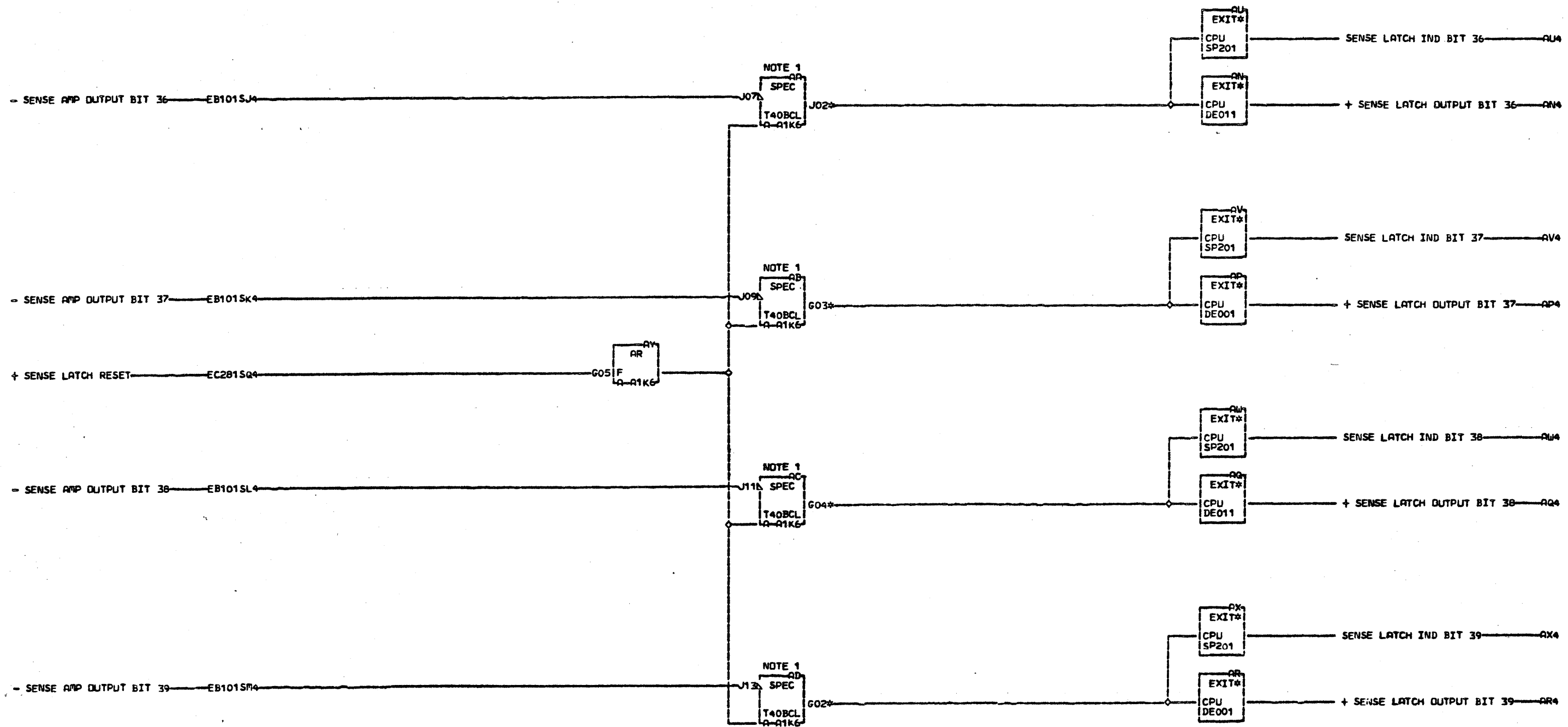
EC2815Q4 RESISTOR
 A-1K6G05
 AA4 A-1N6D09
 O2A A-1N6D09
 ABA A-1N6B10
 O2A A-1N6B10
 AC4 A-1N6D10
 O2A A-1N6D10

AD4 A-1N6D11
 O2A A-1N6D11

SIM TO PN 5374161 EC 551670

LOC. TYPE
 A-1K6 4461

SENSE LATCHES	
E.C. HISTORY	MACH. 2841 RDS2
DATE LAST EC	FRAME 02
11-01-67 551682	IBM CORP. SDD
	P.N. 767975



SPECIAL BLOCKS ARE BUFFERED LATCHES

E NOTE 1
 B CIRCUIT FLYER
 2 T40BB APPLIES
 7 FOR LATCH CARD
 1 PoNo 5804461 BEFORE
 EoCo 168038B

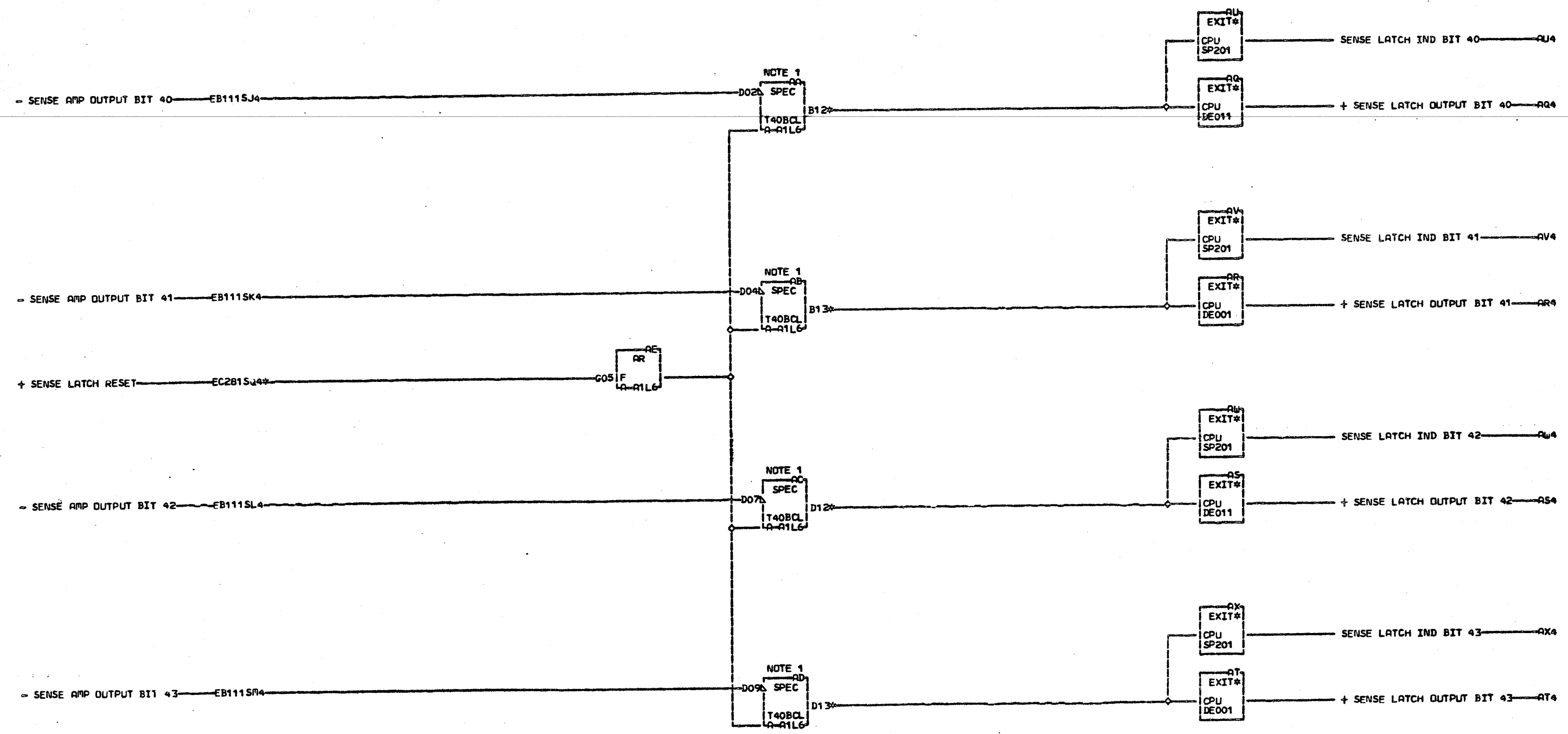
AA4 A-A1N6B12
 02A-A1N6B12
 AB4 A-A1N6D12
 02A-A1N6D12
 AC4 A-A1N6B13
 02A-A1N6B13
 AD4 A-A1N6D13
 02A-A1N6D13

001 SIR TO PN 5374162 EC 581670

LOC. TYPE
 A-A1K6 4461

SENSE LATCHES	
EoCo-HISTORY	MACH-2841ROS2
DATE LAST EC	FRAME 02
11-01-67 581682	IBM CORP. SDD
	PoNo 767976

E
N
B
1
001



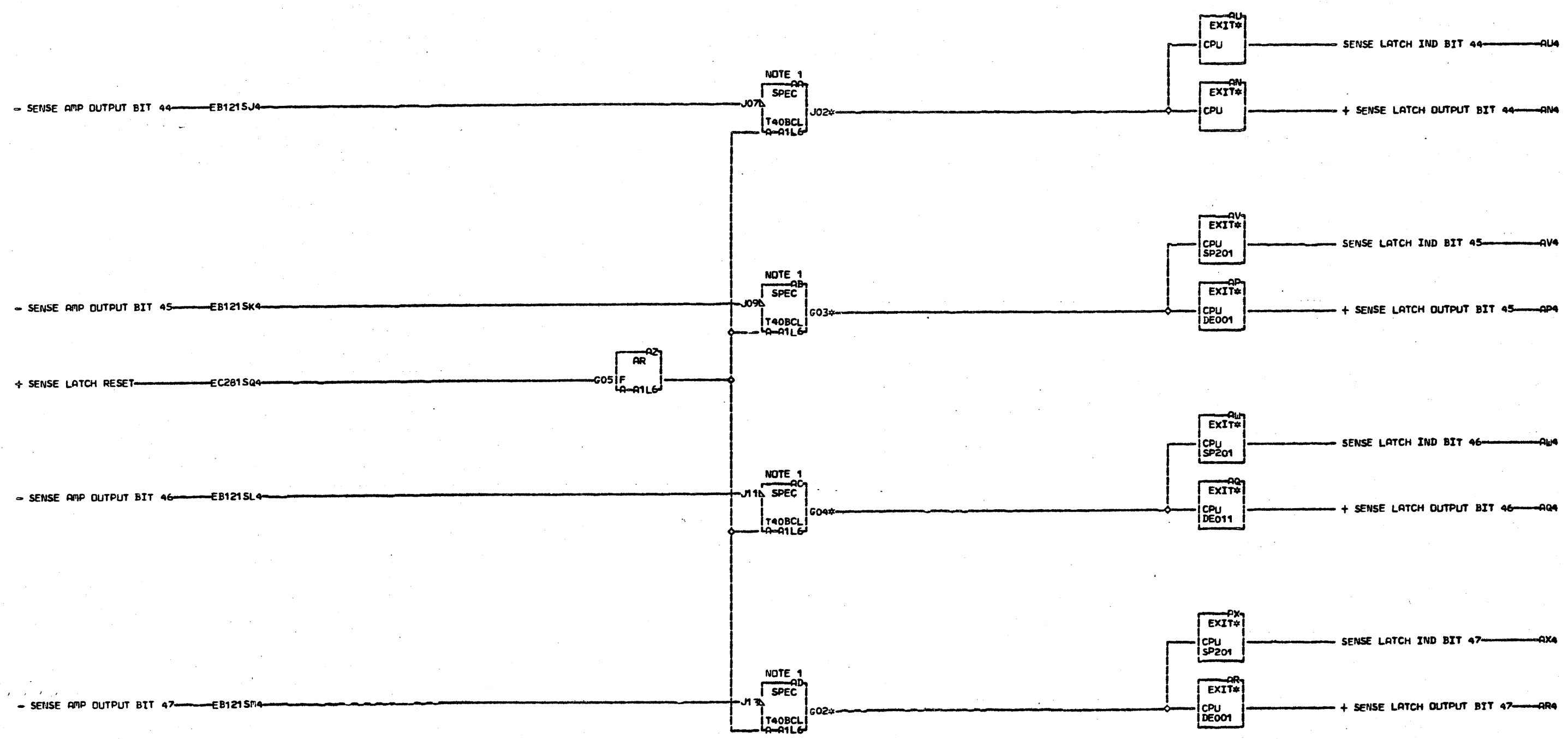
SPECIAL BLOCKS ARE
 BUFFERED LATCHES
 E NOTE 1.
 B CIRCUIT FLYER
 2 T40BB APPLIES
 8 FOR LATCH CARD
 1 P.O. No. 5804461 BEFORE
 E.C. No. 168038B
 001
 SIM TO PN 5374163 EC 551670

EC281SQ4 RESISTOR
 A-A1L6G05
 AA4 A-A1N7B02
 AB4 A-A1N7D02
 AC4 A-A1N7B03
 AD4 A-A1N7B04
 02A-A1N7B04

LOC. TYPE
 A-A1L6 4461

SENSE LATCHES		E B 2 8 1
-E.C. HISTORY	MACH. 2841RDS2	
DATE	LAST EC	02
11-01-67	551682	IBM CORP. SDD
		P.O. No. 767977

001



SPECIAL BLOCKS ARE BUFFERED LATCHES
 NOTE 1.
 CIRCUIT FLYER
 T40BB APPLIES
 FOR LATCH CARD
 P.No. 5804461 REFD. E
 E.C. 168038B

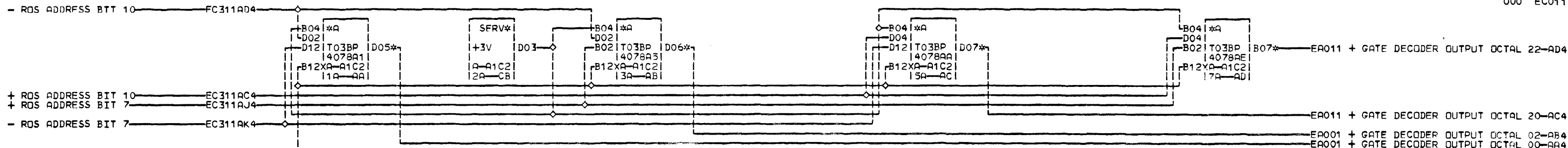
AA4 A-11N7D04
 O2A A-11N7D04
 AB4 A-11N7B05
 O2A A-11N7B05
 AC4 A-11N7D05
 O2A A-11N7D05
 AD4 A-11N7D06
 O2A A-11N7D06

SIR TO PN 5374164 EC 551670

LOC. TYPE
 A-11L6 4461

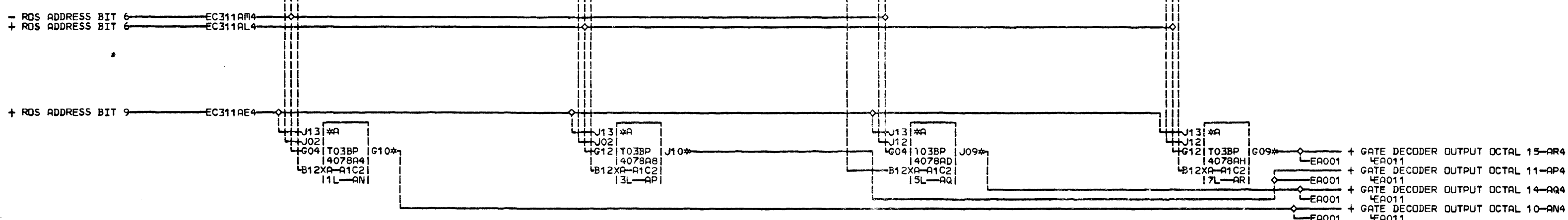
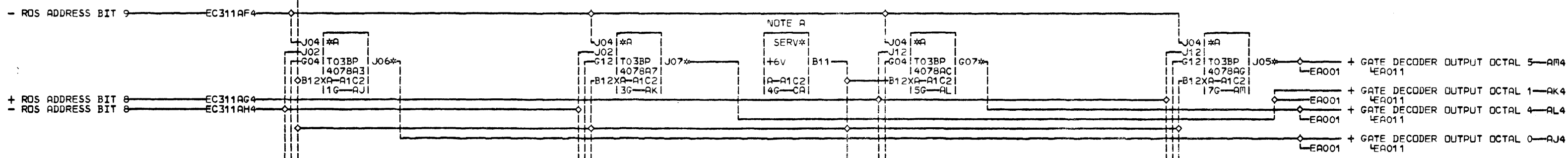
SENSE LATCHES	
E.C. HISTORY	FRAME 02
DATE 11-01-67	LAST EC 551682
	IBR CORP. SDD
	P.No. 767978

E B 291
001



NOTE B

SERVO* D08
 GRD
 A-A1C2KD13
 2D-CD1

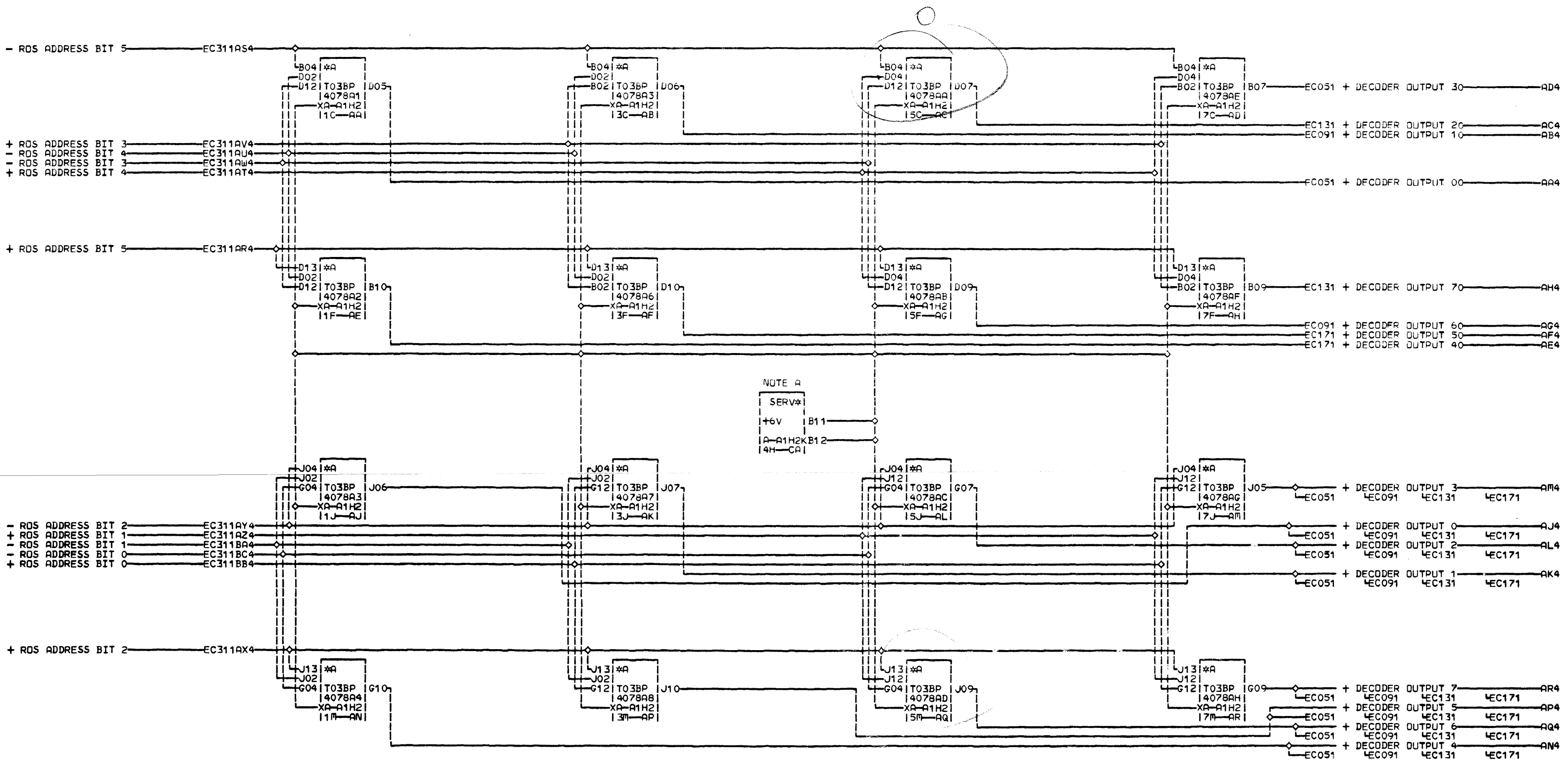


A THIS
 BLOCK
 E CONNECTS +6V
 C TO DECODER CARD
 O ON PIN B12
 1 B PIN D13 IS
 1 GROUNDED ON THE
 UNUSED PORTION OF
 000THE CARD

AA4 A-A1B2D02	AD4 A-A1B2B03	AL4 A-A1B2B05	AP4 A-A1A2B05
02B-A1X1D02	02B-A1X1B03	02B-A1X1B05	02B-A1Y1B05
02B-A1A1D03	02B-A1A1B03	02B-A1B1B07	02B-A1B1D05
AB4 A-A1B2B02	AJ4 A-A1A2D02	AM4 A-A1B2D05	AQ4 A-A1A2D04
02B-A1X1B02	02B-A1Y1D02	02B-A1X1D05	02B-A1Y1D04
02B-A1A1B02	02B-A1B1B05	02B-A1B1D07	02B-A1B1B09
AC4 A-A1B2D04	AK4 A-A1A2B02	AN4 A-A1A2D06	AR4 A-A1A2B03
02B-A1X1D04	02B-A1Y1B02	02B-A1Y1D06	02B-A1Y1B03
02B-A1A1B04	02B-A1B1B04	02B-A1B1D06	02B-A1B1D08

10-13-65 254870

GATE DECODERS			
DATE	01-04-66	MACH.	2841ROS2
LOG	010	FRAME	02
		BRANS P.N.	5374165
IBM CORP.	WTC BLK.		CEI

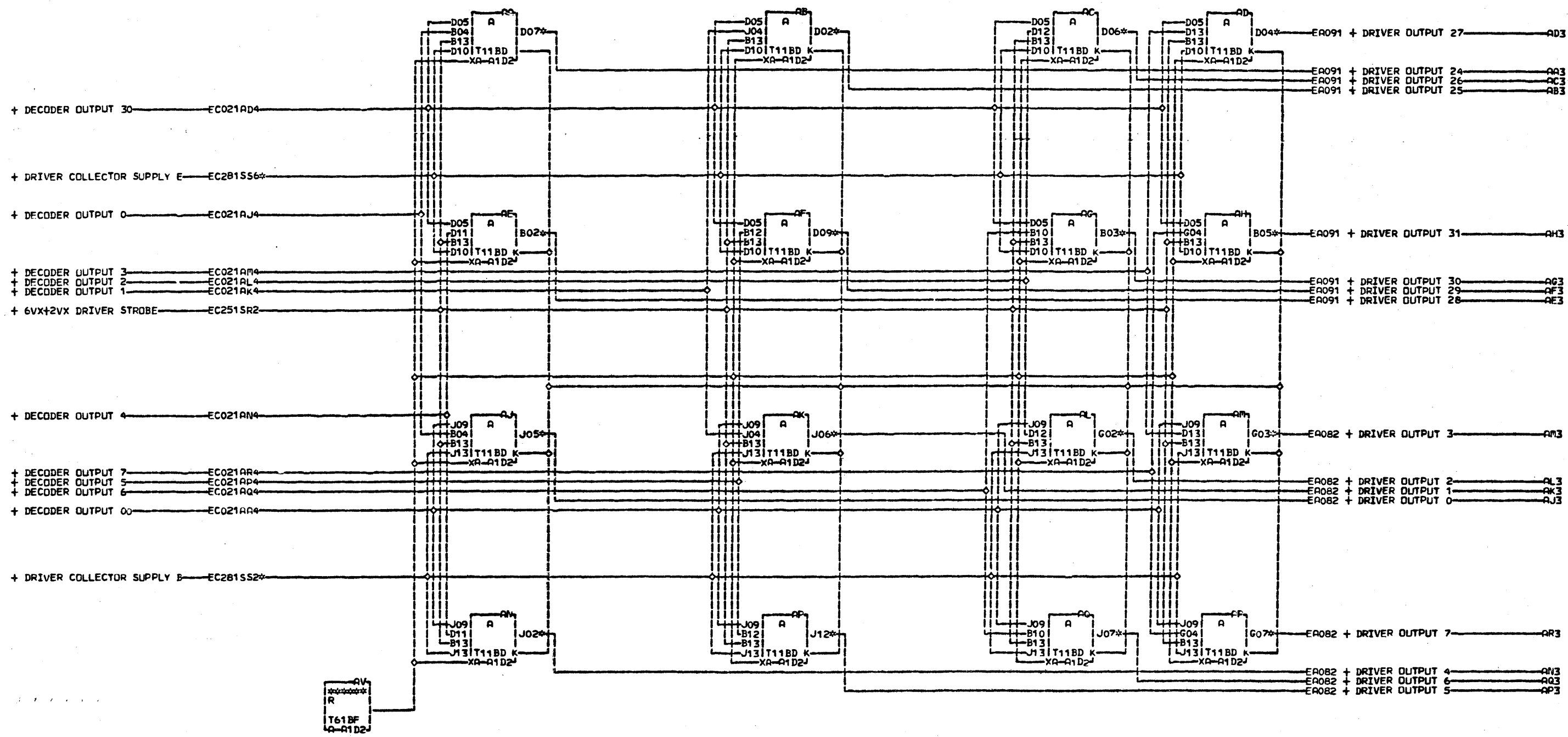


NOTE A
 SERV#
 +6V B11
 A-A1H2KB12
 4H-CA1

A THIS BLOCK
 CONNECTS +6V TO
 DECODER CARD ON
 PIN B12
 0
 2
 1

10-13-65 254870

DRIVER DECODERS			
DATE	01-04-66	MACH.	2841ROS2
LOG	003	FRAME	02
		BRANS P.N.	5374166
IBM CORP.	WTC	BLK.	CB



FOR MODULE
CONTRACTORS SEE
DESTINATION PAGES

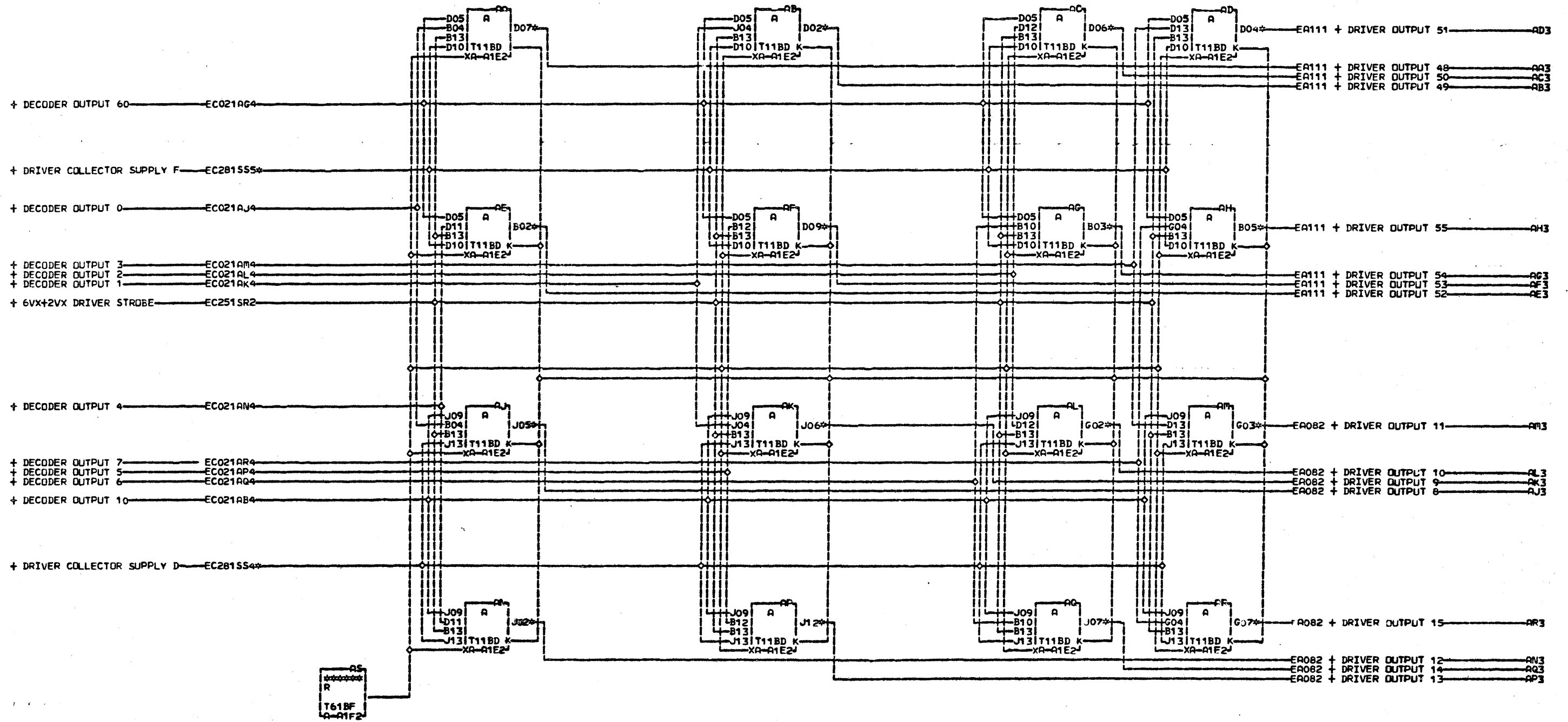
001 SIM TO PN 5374167 EC 254870

FC2B1SS2	AD3	A-A1A2D12	AM3	A-A1A2B07
RESISTOR	AE3	A-A1A2B09	AP3	A-A1A3D11
A-A1D2J13	AF3	A-A1A2D11	AQ3	A-A1A3B10
EC2B1SS6	AG3	A-A1A2B10	AR3	A-A1A3D10
RESISTOR	AH3	A-A1A2D10		
A-A1D2D10	AJ3	A-A1A3B13		
AA3	A-A1A2B13	AK3	A-A1A3D13	
AB3	A-A1A2D13	AL3	A-A1A3B12	
AC3	A-A1A2B12	AM3	A-A1A3D12	

LDC. TYPE
A-A1D2 4080

16 DRIVERS	
E-C-HISTORY	MACH. 2841R052
DATE LAST EC	FRAME 02
11-01-67 551682	IBR CORP. SDD
	P.No. 767979

001



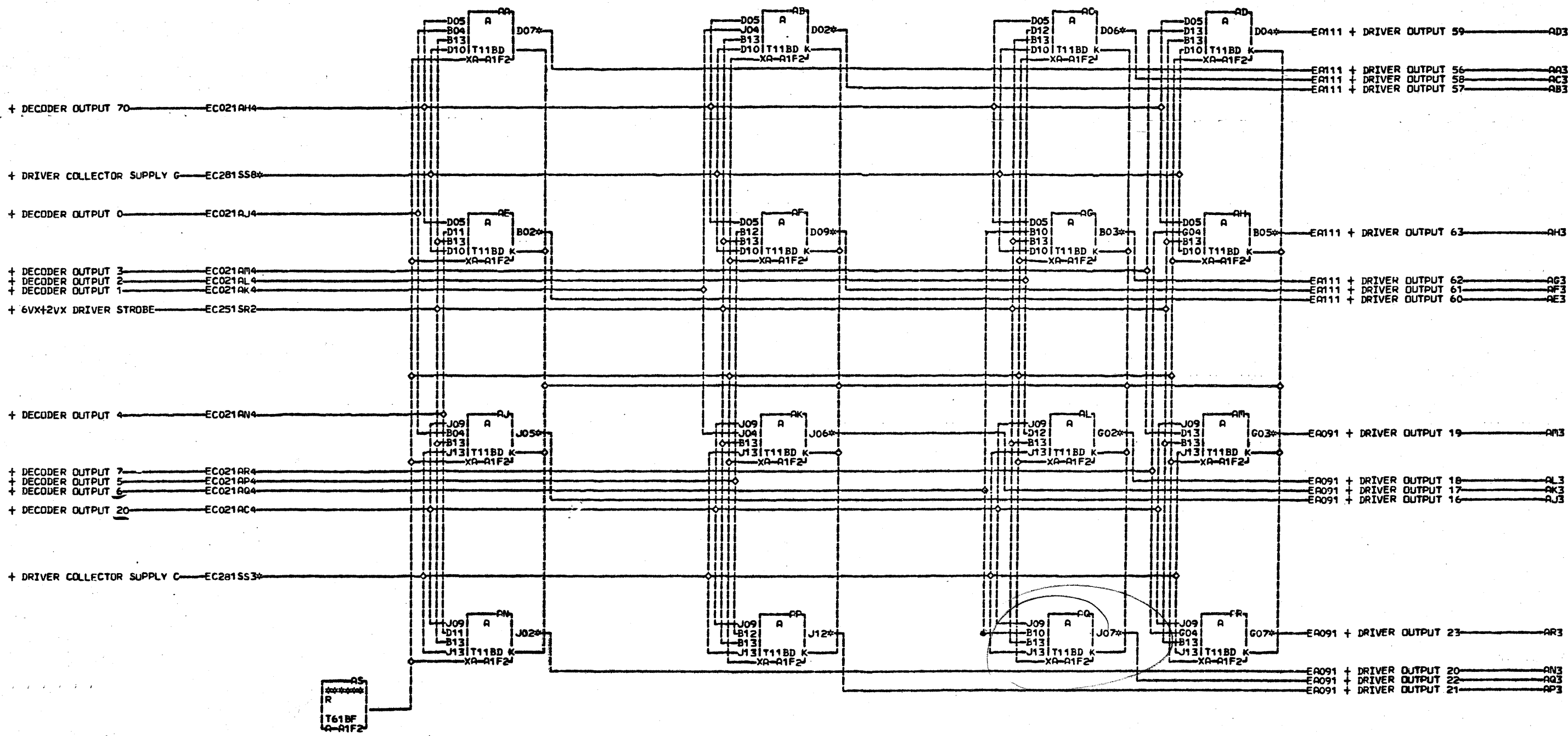
FOR MODULE CONNECTORS SEE DESTINATION PAGES
 EC091
 1
 001
 SIM TG PN 5374168 EC 254870

EC2815S4	AD3	R	A1B3D04	AE3	R	A1A3B07
		RESISTOR		AF3	R	A1A3D07
				AG3	R	A1A2D09
EC2815S5	AB3	R	A1B3B02	AC3	R	A1A3D06
		RESISTOR		AD3	R	A1B3D02
				AE3	R	A1A3B09
				AF3	R	A1A3D09
AA3	R	A1B3B05	AK3	R	A1A3D09	
AB3	R	A1B3D05	AL3	R	A1A3B08	
AC3	R	A1B3B04	AM3	R	A1A2D07	

LDC TYPE
 A-A1F2 4080

16 DRIVERS	
E.C. HISTORY	MACH#2841RDS2
DATE LAST EC	FRAME 02
11-01-67 531682	IBM CORP. SDD
	PN# 767980

EC091
 1
 001



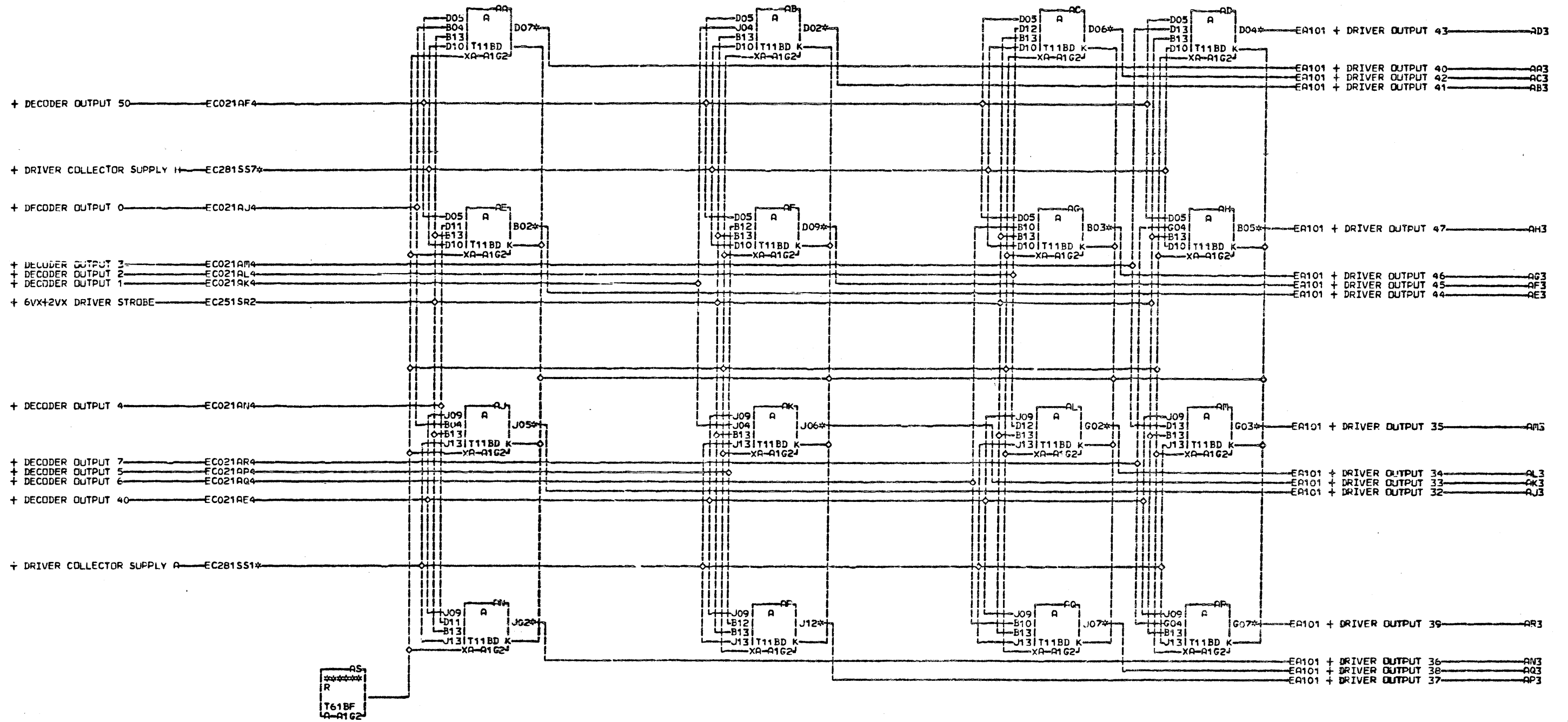
FOR MODULE
CONNECTORS SEE
E DESTINATION PAGES
C
1
3
1
001
SIM TO PN 5374169 EC 254870

EC281SS3	AD3	A-A1B2D12	AN3	A-A1A3B03
RESISTOR	AE3	A-A1B2B09	AP3	A-A1A2D09
A-A1F2J13	AF3	A-A1B2D11	AQ3	A-A1A3B02
EC281SS8	AG3	A-A1B2B10	AR3	A-A1A3D02
RESISTOR	AH3	A-A1B2D10		
A-A1F2D10	AJ3	A-A1A3B05		
AA3	A-A1B2B13	AK3	A-A1A3D05	
AB3	A-A1B2D13	AL3	A-A1A3B04	
AC3	A-A1B2B12	AM3	A-A1A3D04	

LDC TYPE
A-A1F2 4080

16 DRIVERS	
E-C-HISTORY	PACH-2841RDS2
FRAME	02
DATE LAST EC	IBM CORP. SDD
11-01-67 551682	PoNo 767981

E
C
1
3
1
001

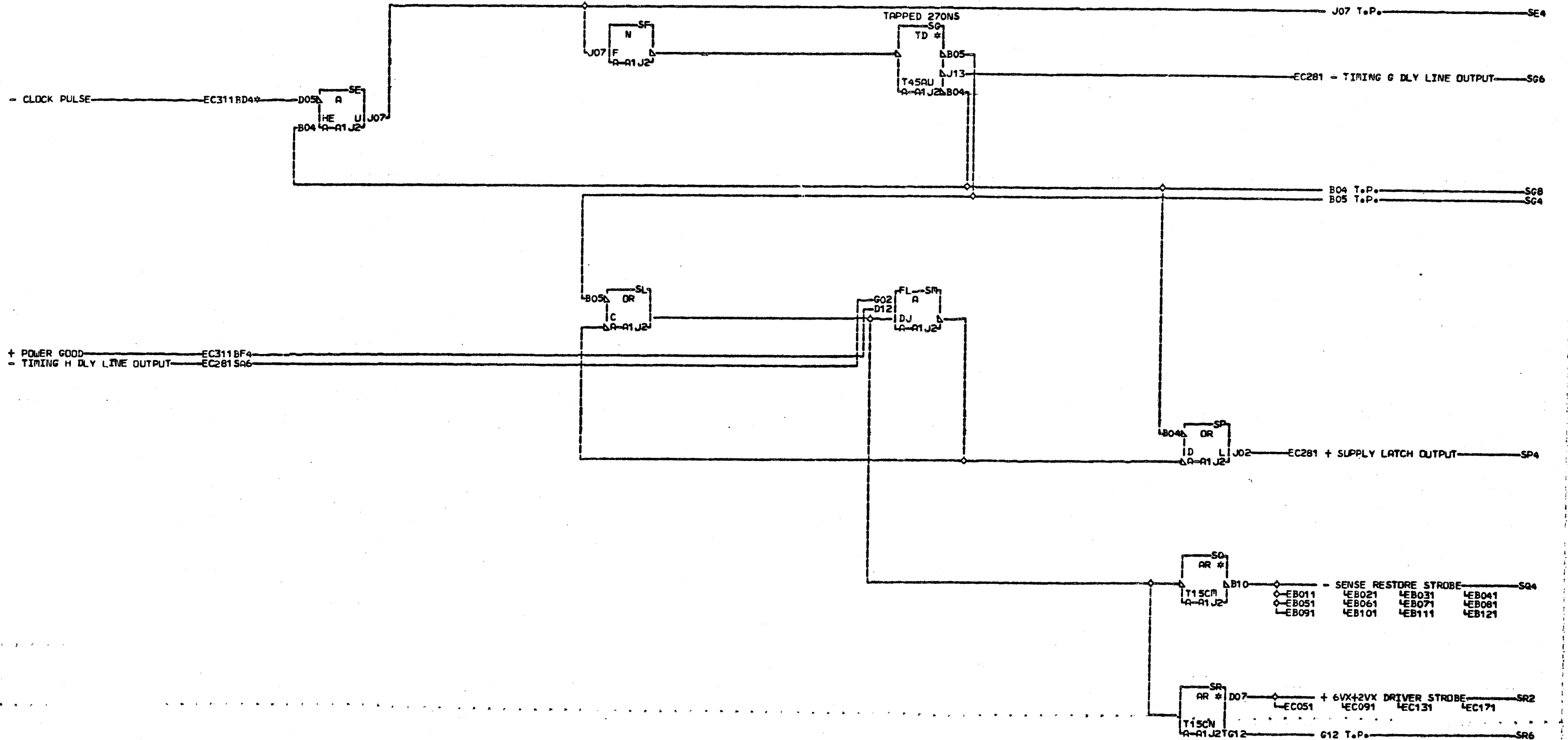


FOR MODULE
CONNECTORS SEE
DESTINATION PAGES
E
C
1
7
1
1
001
SIM TO PN 5374170 EC 254870

EC2815S1	AD3	A-A1B2D07	AV3	A-A1B2B07
RESISTOR	AE3	A-A1B3B07	AP3	A-A1B3D11
A-A1G2J13	AF3	A-A1B3D07	AQ3	A-A1B3B10
EC2815S7	AG3	A-A1B2B08	AR3	A-A1B3D10
RESISTOR	AH3	A-A1B3D06		
A-A1G2D10	AJ3	A-A1B3B13		
AA3	A-A1B3B09	AK3	A-A1B3D13	
AB3	A-A1B3D09	AL3	A-A1B3B12	
AC3	A-A1B3B08	AM3	A-A1B3D12	

LOC. TYPE
A-A1G2 4080

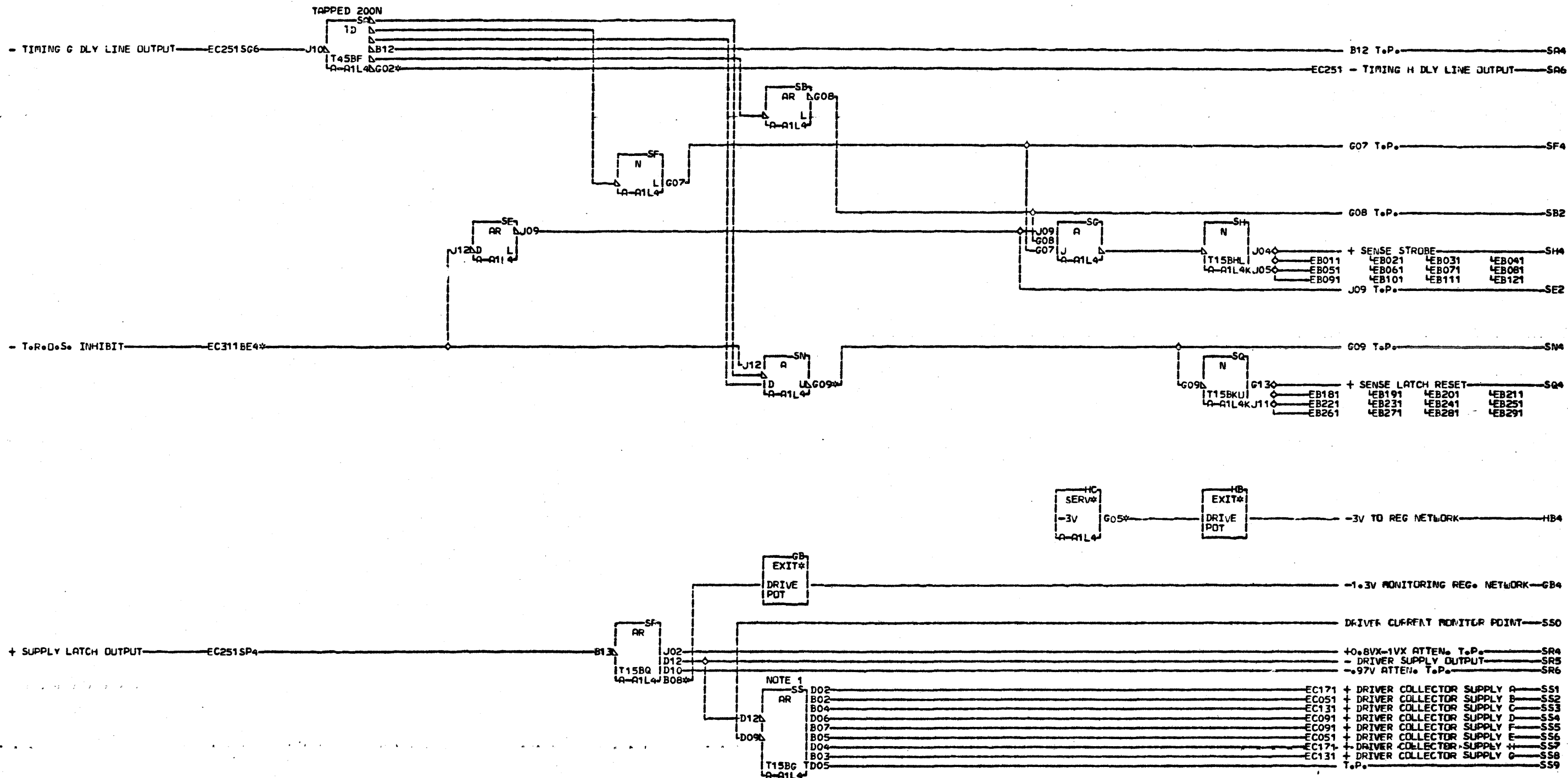
16 DRIVERS	
E.C. HISTORY	FRAME 02
DATE LAST EC	IBM CORP. SDD
11-01-67 551682	PaNo 767982



EC311BD4
RESISTOR
A-A1J2D05
SG2 RESISTOR
A-A1J2

LDC. TYPE
A-A1J2 4786

TIMING CARD G	
E.C. HISTORY	RACH-2841RDS2
FRAME	02
DATE	11-01-67
LAST EC	551682
IBR CORP. SDD	PoNo 767948



NOTE 1.
THE DRIVE CURRENT TEST POINT
E SHOWS A SWING OF 1V PER 50MA
C AND SHOULD BE MEASURED
2 WITH A SCOPE AS SHOWN IN THE
8 MAINTENANCE DIAGRAM MANUAL.
1

001
SIR TO PN 5374174 EC 551670

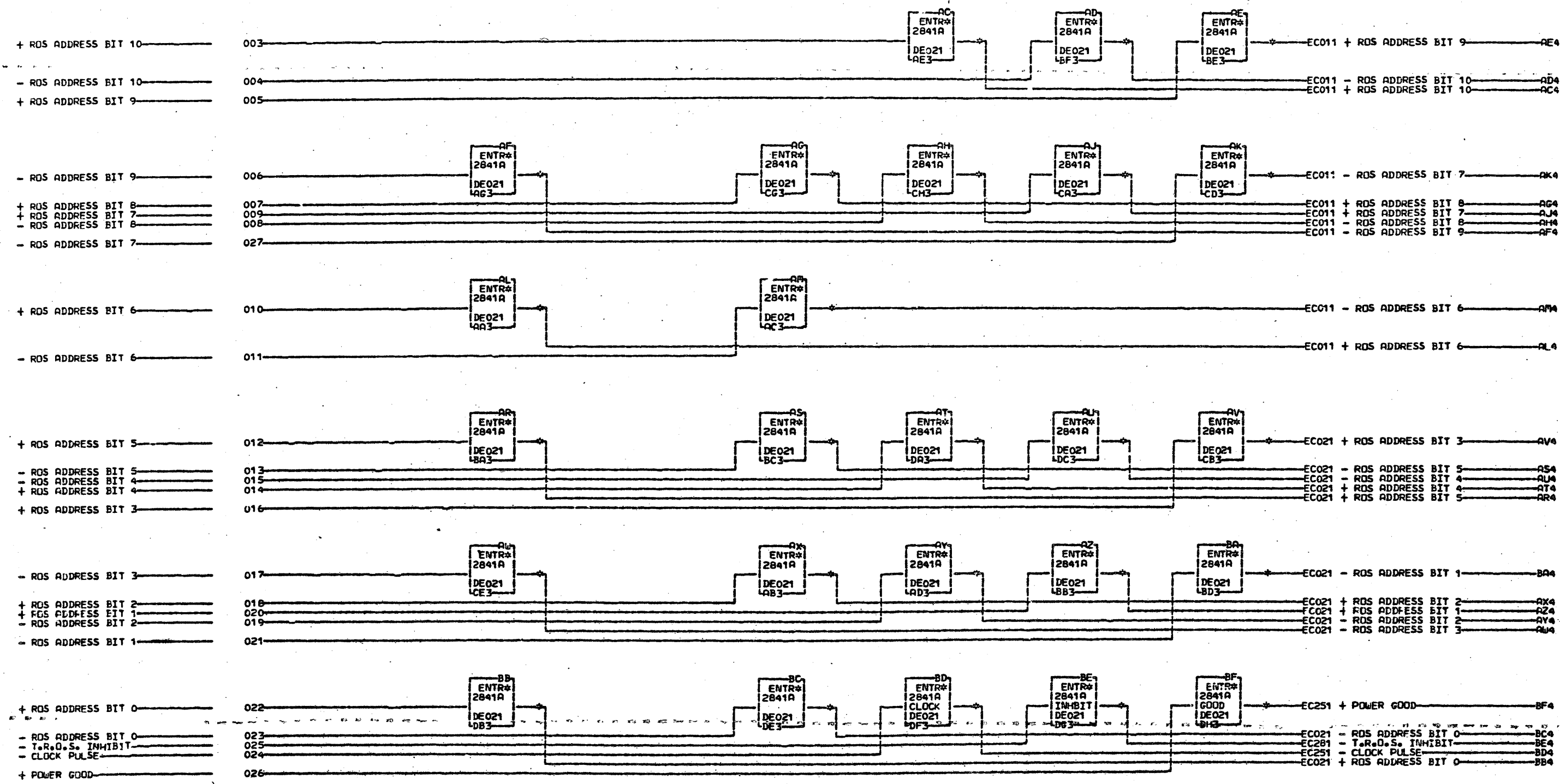
EC311BE4
RESISTOR
A-A1J2 J12
HC4 A-A1D1A09
SA6 RESISTOR
A-A1L4G02
SN4 RESISTOR
A-A1L4G09
SR7 A-A1D1A11

LOC. TYPE
A-A1J2 4786
A-A1L4 4788

TIMING CARD H

E.C.C. HISTORY	FRMCH 2841R052
DATE LAST EC	IBN CORP. SDD
11-01-67 551682	P.O. No. 767944

001



AC4	A-01N2B03	AF4	A-01N2D09	AZ4	A-01N3B07
AD4	A-01N2D04	AR4	A-01N3B02	BA4	A-01N3D07
AE4	A-01N2B04	AS4	A-01N3D02	BB4	A-01N3B08
AG4	A-01N2D05	AT4	A-01N3B03	BC4	A-01N3D09
AH4	A-01N2B05	AU4	A-01N3D04	BD4	A-01N3D11
AJ4	A-01N2D06	AV4	A-01N3B04	BE4	A-01N3D12
AK4	A-01N2B07	AX4	A-01N3D05	BF4	A-01N3D13
AL4	A-01N2D07	AY4	A-01N3B05		
AM4	A-01N2B08	AZ4	A-01N3D06		

2841RS2 INPUT ADDRESS LINES AND TIMING INPUTS.	
- E.C. - HISTORY	FRCH. 2841RS2
DATE LAST EC	FRAME 02
11-01-67 551682	IBR CORP. SDD
	P.No. 0767910

767436

STANDARD
CODE

LINE NAME	FROM	TO
+ DRIVER OUTPUT	0 A-AIA3B13	B-AIY2B13
	1 A-AIA3D13	B-AIY2D13
	2 A-AIA3B12	B-AIY2B12
	3 A-AIA3D12	B-AIY2D12
	4 A-AIA2B07	B-AIY1B07
	5 A-AIA3D11	B-AIY2D11
	6 A-AIA3B10	B-AIY2B10
	7 A-AIA3D10	B-AIY2D10
	8 A-AIA3B09	B-AIY2B09
	9 A-AIA3D09	B-AIY2D09
	10 A-AIA3B08	B-AIY2B08
	11 A-AIA2D07	B-AIY1D07
	12 A-AIA3B07	B-AIY2B07
	13 A-AIA3D07	B-AIY2D07
	14 A-AIA2B08	B-AIY1B08
	15 A-AIA3D06	B-AIY2D06
	16 A-AIA3B05	B-AIY2B05
	17 A-AIA3D05	B-AIY2D05
	18 A-AIA3B04	B-AIY2B04
	19 A-AIA3D04	B-AIY2D04
	20 A-AIA3B03	B-AIY2B03
	21 A-AIA2D09	B-AIY1D09
	22 A-AIA3B02	B-AIY2B02
	23 A-AIA3D02	B-AIY2D02
	24 A-AIA2B13	B-AIY1B13
	25 A-AIA2D13	B-AIY1D13
	26 A-AIA2B12	B-AIY1B12
	27 A-AIA2D12	B-AIY1D12
	28 A-AIA2B09	B-AIY1B09
	29 A-AIA2D11	B-AIY1D11
	30 A-AIA2B10	B-AIY1B10
	31 A-AIA2D10	B-AIY1D10
	32 A-AIB3B13	B-AIX2B13
	33 A-AIB3D13	B-AIX2D13
	34 A-AIB3B12	B-AIX2B12
	35 A-AIB3D12	B-AIX2D12
	36 A-AIB2B07	B-AIX1B07
	37 A-AIB3D11	B-AIX2D11
	38 A-AIB3B10	B-AIX2B10
	39 A-AIB3D10	B-AIX2D10
+ DRIVER OUTPUT	40 A-AIB3B09	B-AIX2B09

LINE NAME	FROM	TO
+ DRIVER OUTPUT	41 A-AIB3D09	B-AIX2D09
	42 A-AIB3B08	B-AIX2B08
	43 A-AIB2D07	B-AIX1D07
	44 A-AIB3B07	B-AIX2B07
	45 A-AIB3D07	B-AIX2D07
	46 A-AIB2B08	B-AIX1B08
	47 A-AIB3D06	B-AIX2D06
	48 A-AIB3B05	B-AIX2B05
	49 A-AIB3D05	B-AIX2D05
	50 A-AIB3B04	B-AIX2B04
	51 A-AIB3D04	B-AIX2D04
	52 A-AIB3B03	B-AIX2B03
	53 A-AIB2D09	B-AIX1D09
	54 A-AIB3B02	B-AIX2B02
	55 A-AIB3D02	B-AIX2D02
	56 A-AIB2B13	B-AIX1B13
	57 A-AIB2D13	B-AIX1D13
	58 A-AIB2B12	B-AIX1B12
	59 A-AIB2D12	B-AIX1D12
	60 A-AIB2B09	B-AIX1B09
	61 A-AIB2D11	B-AIX1D11
	62 A-AIB2B10	B-AIX1B10
+ DRIVER OUTPUT	63 A-AIB2D10	B-AIX1D10
+ GATE DECODER O/P OCTAL	00 A-AIB2D02	B-AIX1D02
	02 A-AIB2B02	B-AIX1B02
	20 A-AIB2D04	B-AIX1D04
	22 A-AIB2B03	B-AIX1B03
	0 A-AIA2D02	B-AIY1D02
	1 A-AIA2B02	B-AIY1B02
	4 A-AIB2B05	B-AIX1B05
	5 A-AIB2D05	B-AIX1D05
	10 A-AIA2D06	B-AIY1D06
	11 A-AIA2B05	B-AIY1B05
	14 A-AIA2D04	B-AIY1D04
+ GATE DECODER O/P OCTAL	15 A-AIA2B03	B-AIY1B03

COMMONING BOARD VOLTAGE POINTS

- B-AIX1E14 GND
- A14 +6
- B-AIX2E01 -3
- A01 +3

- B-AIB1E14 GND
- A14 GND
- B-AIB2E01 GND
- A01 GND

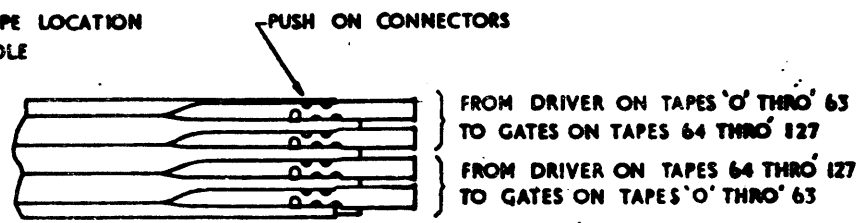
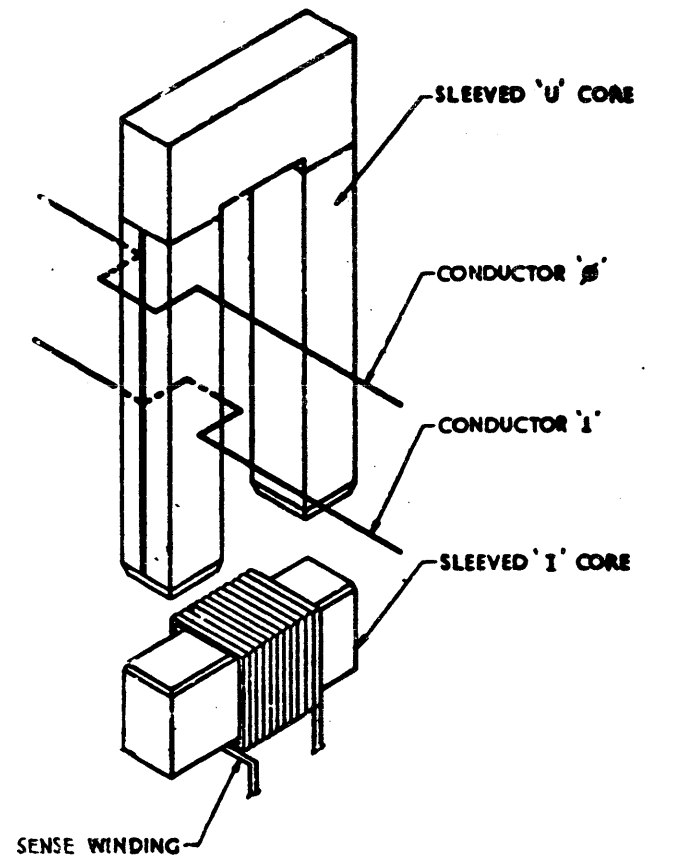
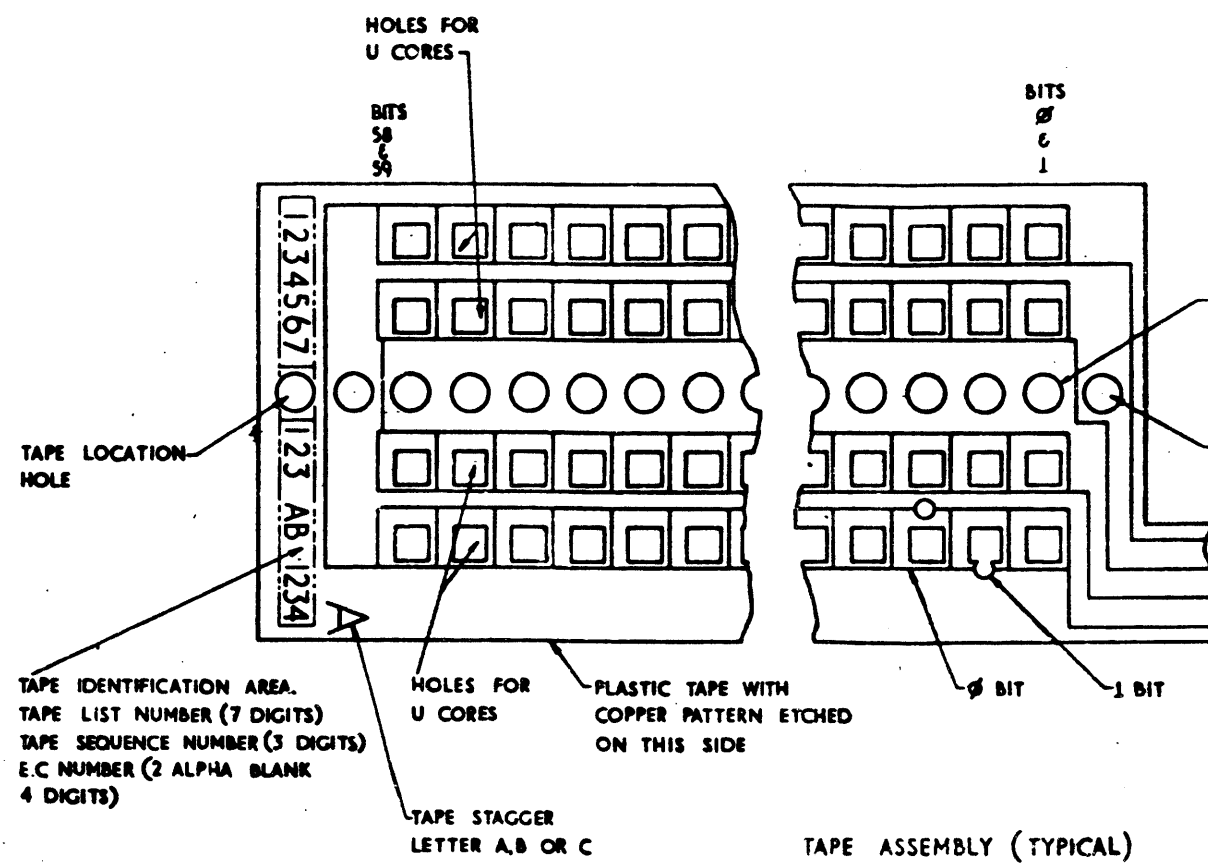
DESIGN	DATE	APPROVAL	DEVELOPMENT NO.
DETAIL	DATE	APPROVAL	DATE
CHECK	DATE	APPROVAL	DATE
APPRO	DATE	APPROVAL	DATE
NAME POINT TO POINT CABLE REFERENCE SHEET 2841 ROS 2 DATE 5/16/93 CHANGE NO. 551693 APPROVAL DATE CHANGE NO. APPROVAL DATE DEVELOPMENT NO. EC401			

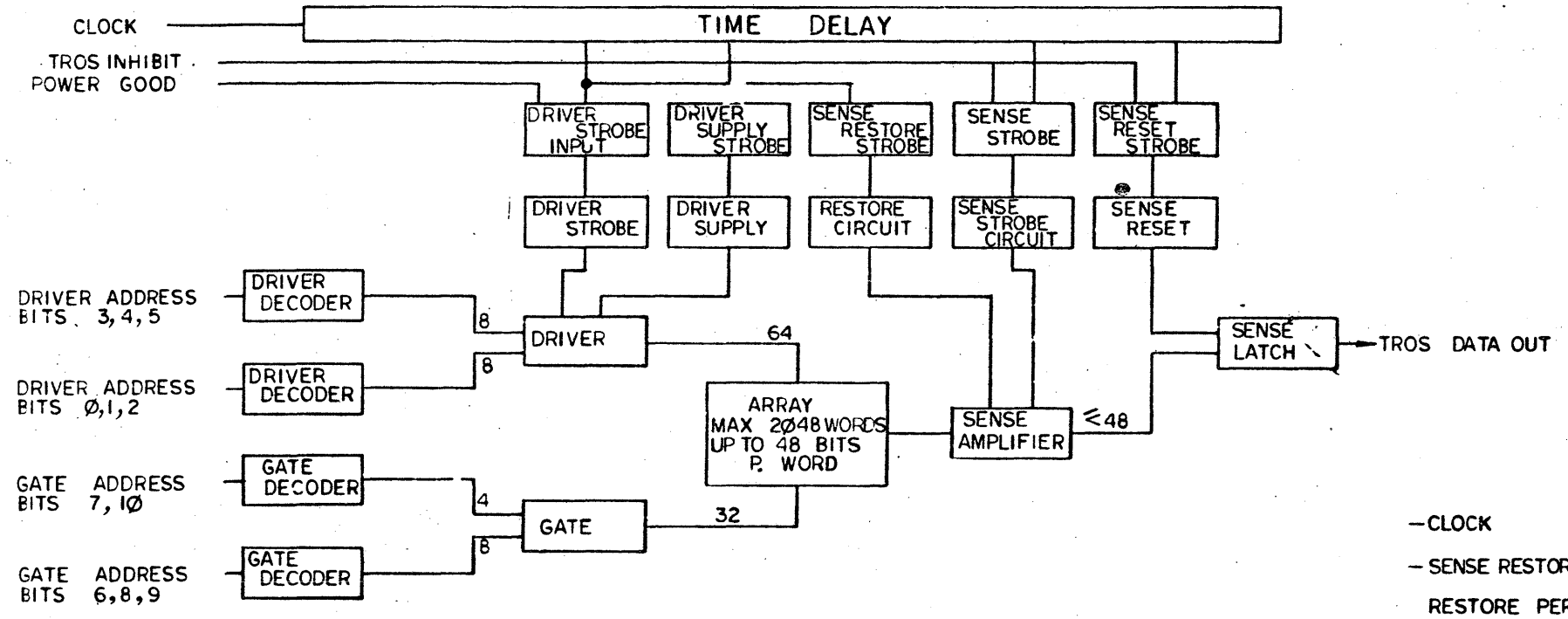
CIRCUIT AND PACKAGING STANDARD
APPROVAL
DATE

CASO CODE
EC401

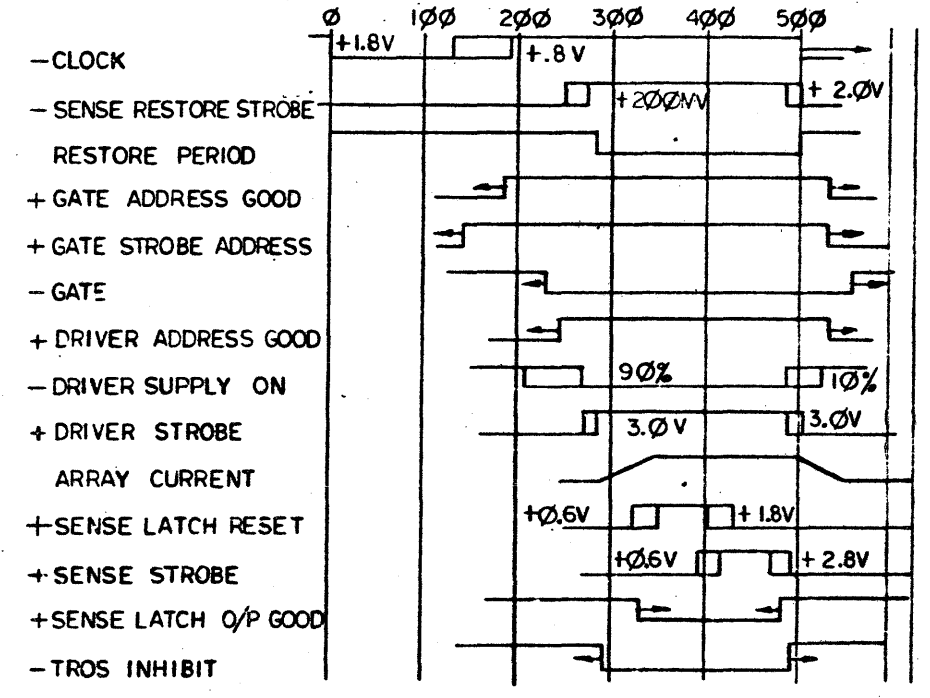
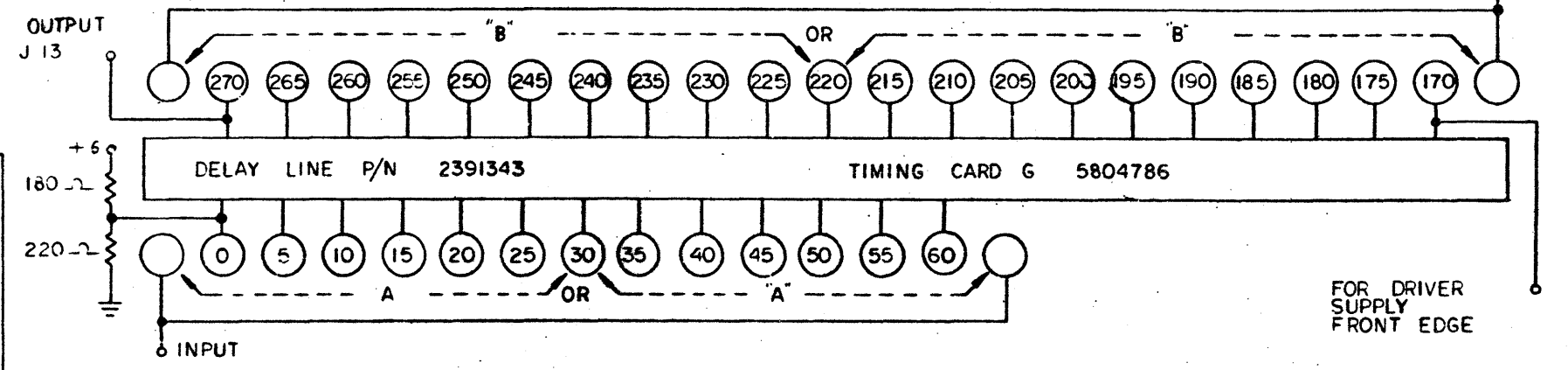
767436

INTERNATIONAL BUSINESS MACHINES CORP.		DATE	QUANT. NO.	DATE	QUANT. NO.	NOTE	REVISION NO.
NAME THOS REFERENCE		3. 9. 65	254799			1 PRINT TO ENCL. ORG. NO.	
DESIGN	T.C.P.						
DETAIL							
CHECK							
APPRO	BY ST: A. S. G. (GIVEN)						
EC 501		5348753					



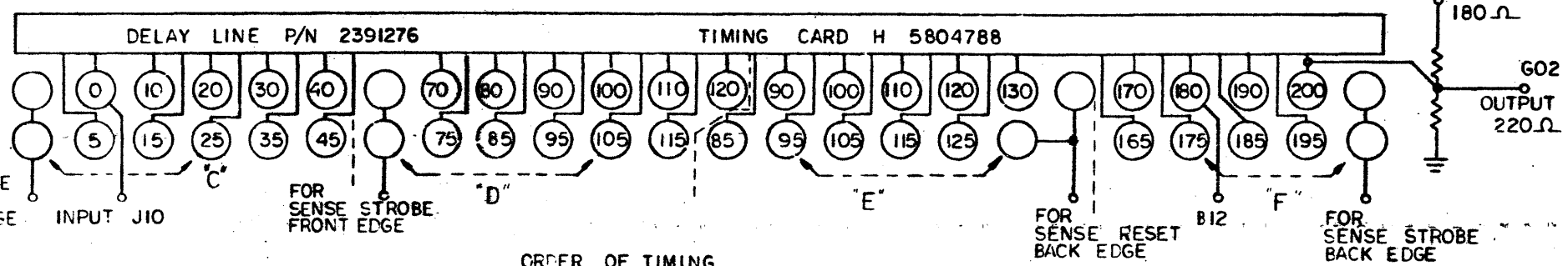


DELAY LINE NUMBERING SCHEME COST REDUCED COMPONENT SIDE TROS TIMING PROCEDURE



IF THERE IS ANY DISCREPANCY BETWEEN THIS PAGE AND SPECIFICATION 868459 THE SPECIFICATION SHALL TAKE PRECEDANCE

TROS TIMING REQUIRMENTS MINIMUM CYCLE TIME 500N. SEC.

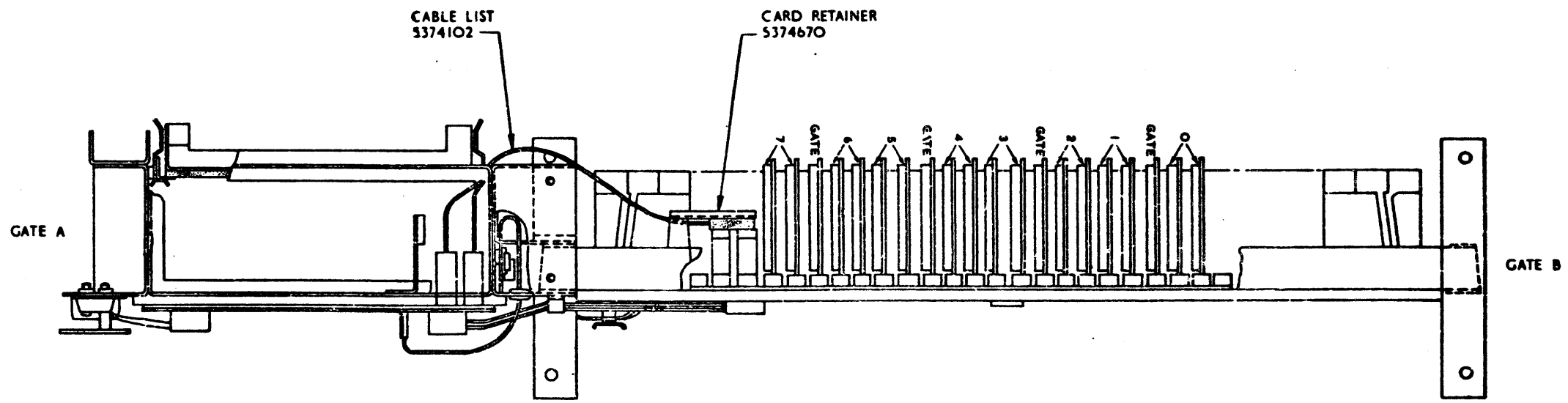


ORDER OF TIMING

1. TIMING CARD "G" OUTPUT (AIJ2J13). ADJUST BY VARYING PROGRAM CAP "A" TO OCCUR 275 ± 5 NANOSEC AFTER +1.8V ON THE CLOCK PULSE -VE GOING EDGE (AIJ2D05). PULSE MEASURED AT +1.8V ON -VE GOING EDGE.
2. FRONT EDGE OF DRIVER STROBE PULSE (AIJ2D07). ADJUST BY VARYING PROGRAM CAP "B" TO OCCUR 285 ± 5 NANOSEC AFTER +1.8V ON THE CLOCK PULSE -VE GOING EDGE. PULSE MEASURED AT +3.0V ON +VE GOING EDGE.
3. SENSE RESET PULSE (AI4G13). FRONT EDGE MEASURED AT +0.6V ON +VE GOING EDGE. ADJUST BY VARYING PROGRAM CAP "C" TO OCCUR 65 ± 10 NANOSEC AFTER TIMING CARD "G" OUTPUT. BACK EDGE MEASURED AT +1.8V ON -VE GOING EDGE. ADJUST BY VARYING PROGRAM CAP "E" TO OCCUR 70 ± 10 NANOSEC AFTER SENSE RESET FRONT EDGE.
4. SENSE STROBE PULSE (AI4J04). FRONT EDGE MEASURE AT +0.6V ON +VE GOING EDGE. ADJUST BY VARYING PROGRAM CAP "D" TO OCCUR 130 ± 10 NANOSEC AFTER TIMING CARD "G" OUTPUT. BACK EDGE MEASURED AT +2.8V ON -VE GOING EDGE. ADJUST BY VARYING PROGRAM CAP "F" TO OCCUR 85 ± 10 NANOSEC AFTER SENSE STROBE FRONT EDGE.
5. ALL OTHER EDGES ARE NOT TUNED BUT SHOULD OCCUR AS SHOWN ON THE DIAGRAM TO THE RIGHT OF THIS PAGE.

INTERNATIONAL BUSINESS MACHINES CORP.
 MODEL 1140
 DATE 2FEB65 351682
 DCS CODE O-1034
 EC 511
 767434

12-50-60-000-00011

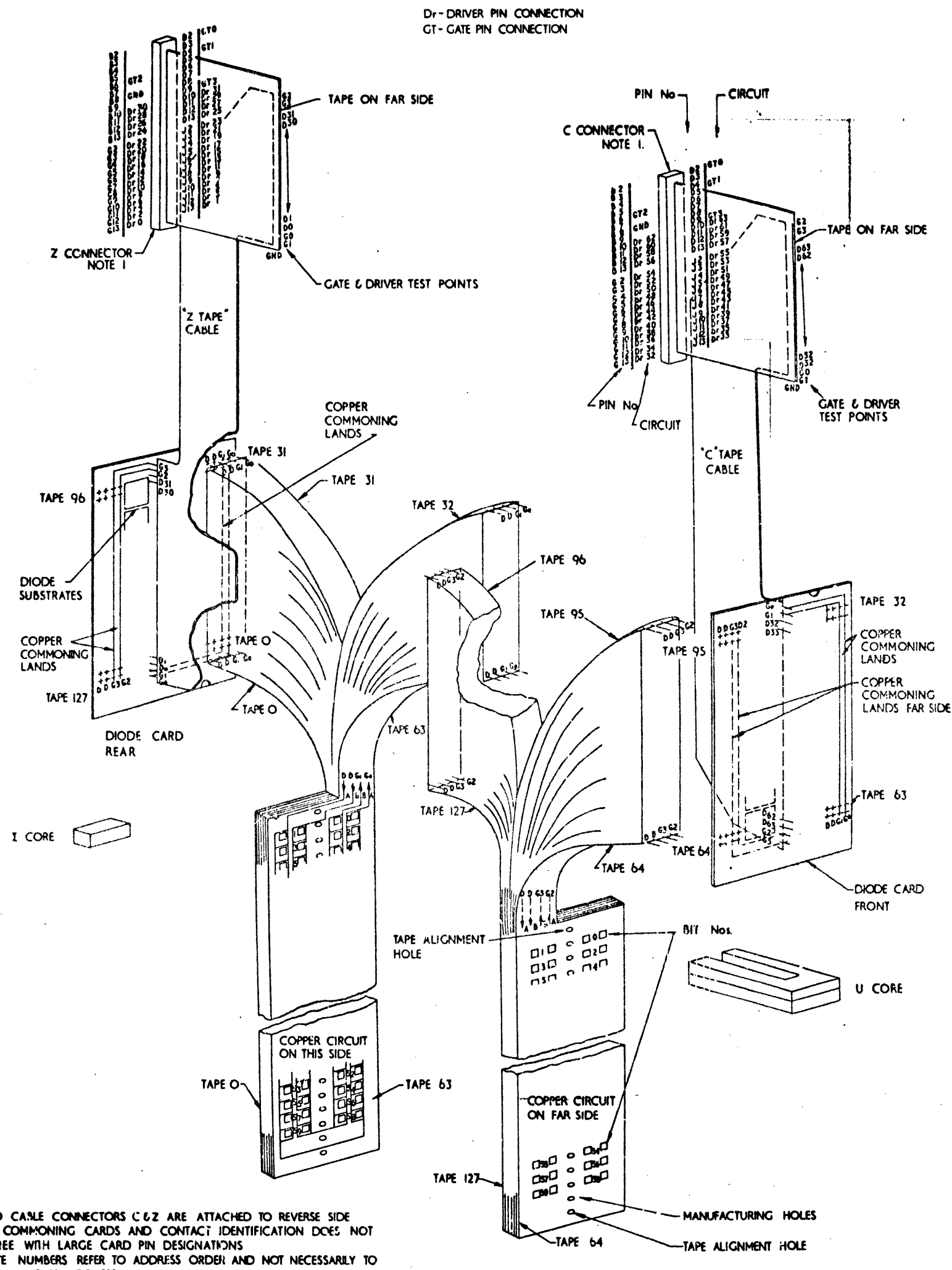


INTERNATIONAL BUSINESS MACHINES CORP.	
NAME	2941 ROSZ
PLAN VIEW	
DESIGN	11-5-65 MODEL 2841
CHECK	13-5-65
APPRO	1-8-65
DRAW	15-5-65
CHECK	1-8-65

DATE	15 DEC 65
CHANGE NO.	254870
DATE	
CHANGE NO.	

NOTE
X PRINT TO ENG. SPEC. NO.

DEVELOPMENT NO.
EC531



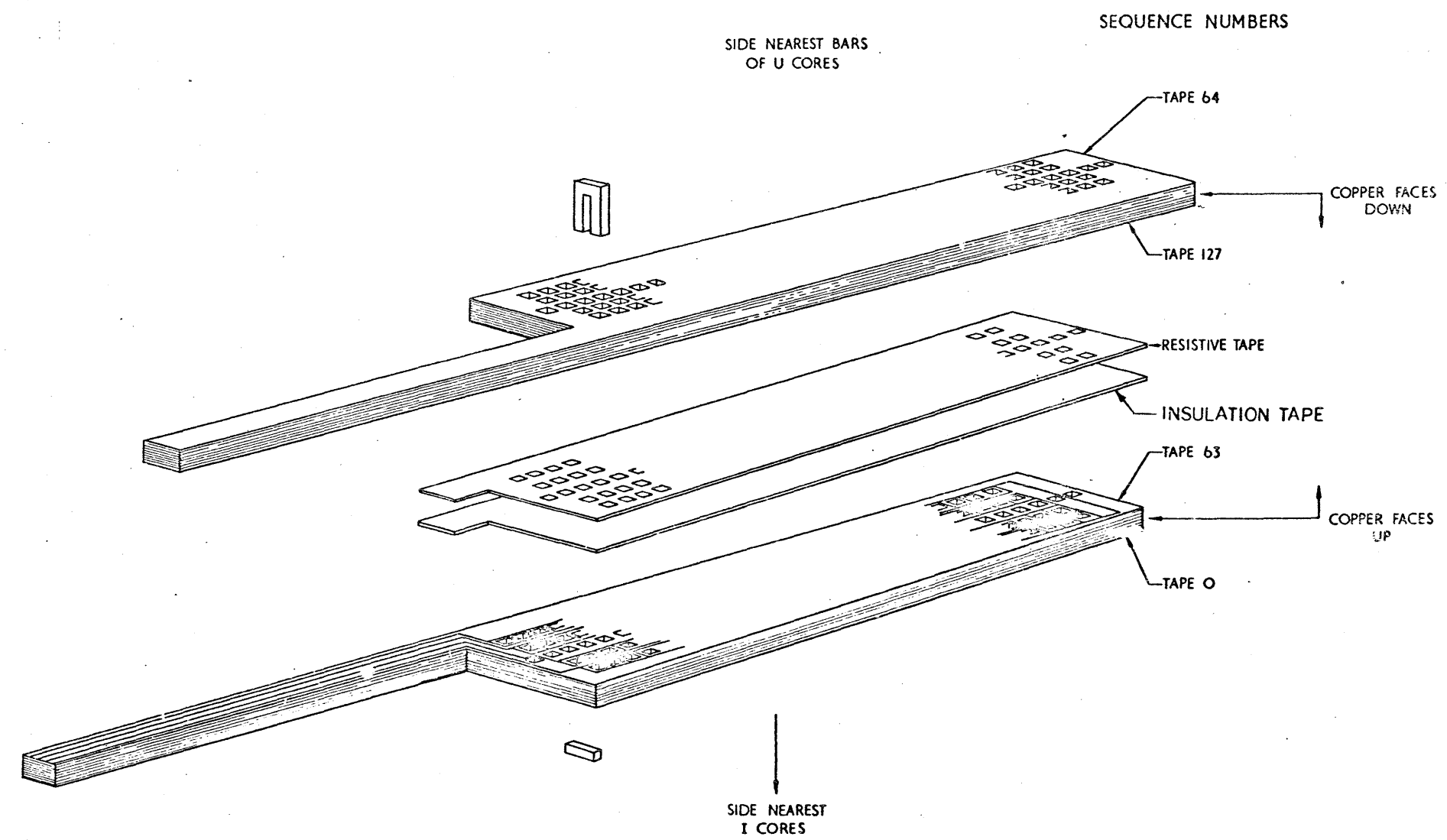
- NOTES
1. I/O CABLE CONNECTORS C & Z ARE ATTACHED TO REVERSE SIDE OF COMMONING CARDS AND CONTACT IDENTIFICATION DOES NOT AGREE WITH LARGE CARD PIN DESIGNATIONS
 2. GATE NUMBERS REFER TO ADDRESS ORDER AND NOT NECESSARILY TO ACTUAL GATE ADDRESS

EXPANDED VIEW OF TAPES, DIODE CARDS & DECK ASSEMBLY

INTERNATIONAL BUSINESS MACHINES CORP.		DATE	CHANGE NO.	DATE	CHANGE NO.	NOTE	DEVELOPMENT NO.
NAME TROS REFERENCE		3-8-67	254799			X PRINT TO ENG. SPEC. NO.	
DESIGN	CP	MODEL					
DETAIL		DRAW					
CHECK		CHECA					
APPRO	J.T. 4-9-66	CHECA					

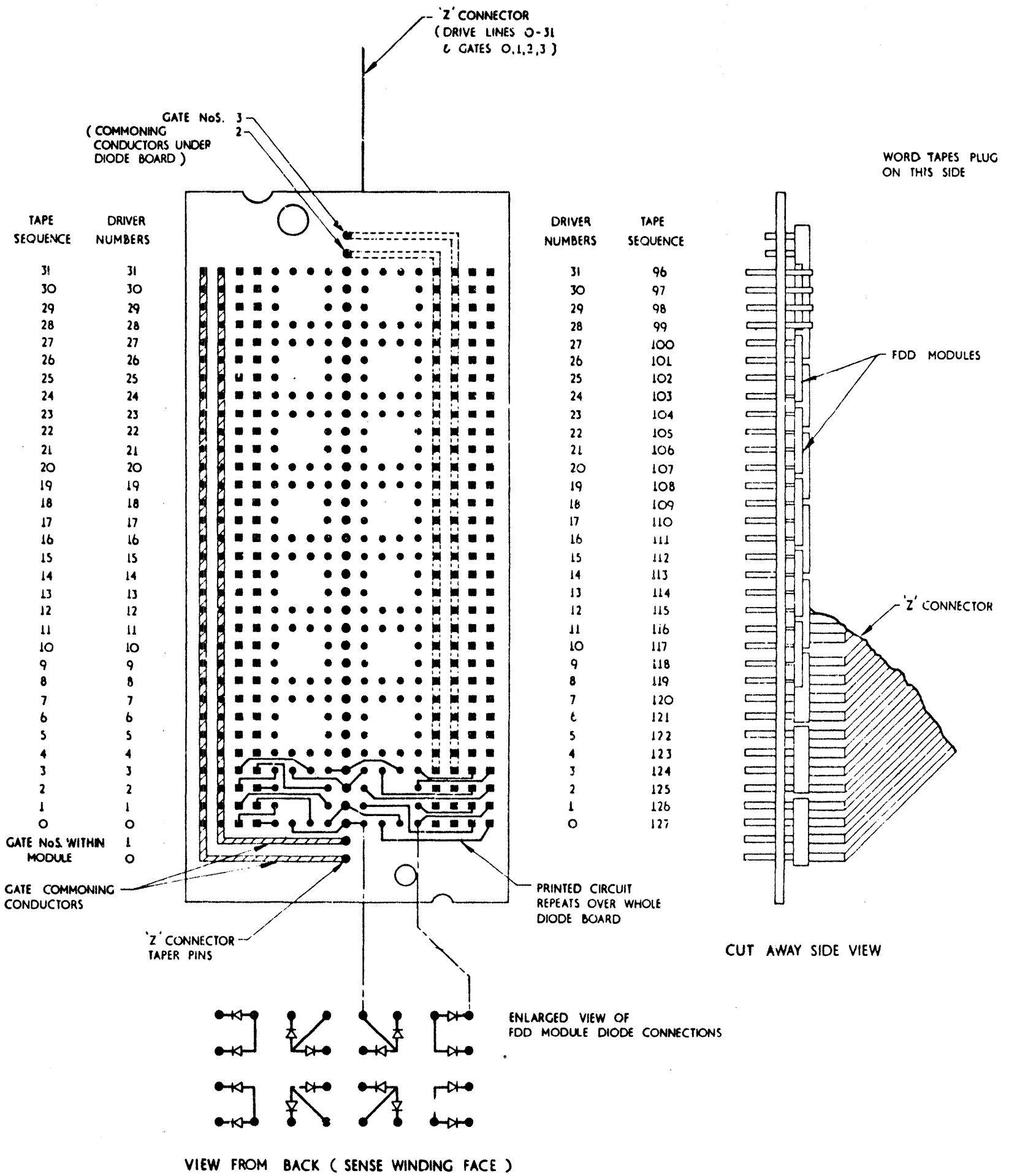
LIST OF TAPES SHOWN IN ORDER OF STACKING

TAPE STAGGER A	TAPE STAGGER B	TAPE STAGGER C
	64	65
66	67	68
69	70	71
72	73	74
75	76	77
78	79	80
81	82	83
84	85	86
87	88	89
90	91	92
93	94	95
96	97	98
99	100	101
102	103	104
105	106	107
108	109	110
111	112	113
114	115	116
117	118	119
120	121	122
123	124	125
126	127	
RESISTIVE TAPE		
63		
60	61	62
57	58	59
54	55	56
51	52	53
48	49	50
45	46	47
42	43	44
39	40	41
36	37	38
33	34	35
30	31	32
27	28	29
24	25	26
21	22	23
18	19	20
15	16	17
12	13	14
9	10	11
6	7	8
3	4	5
0	1	2



TAPE NUMBERING AND ARRANGEMENT

INTERNATIONAL BUSINESS MACHINES CORP.		NAME	TROS REFERENCE	DATE	CHANGE NO.	DATE	CHANGE NO.	NOTE	DEVELOPMENT NO.
DESIGN	F.C.P.	MODEL		3. 8. 65	254799			X PRINT TO ENG. SPEC. NO.	
DETAIL				16 JUN 67	551666				
CHECK									
APPRO	D. J. T.	4. 9. 66	CHECK						
									EC 551
									5348774



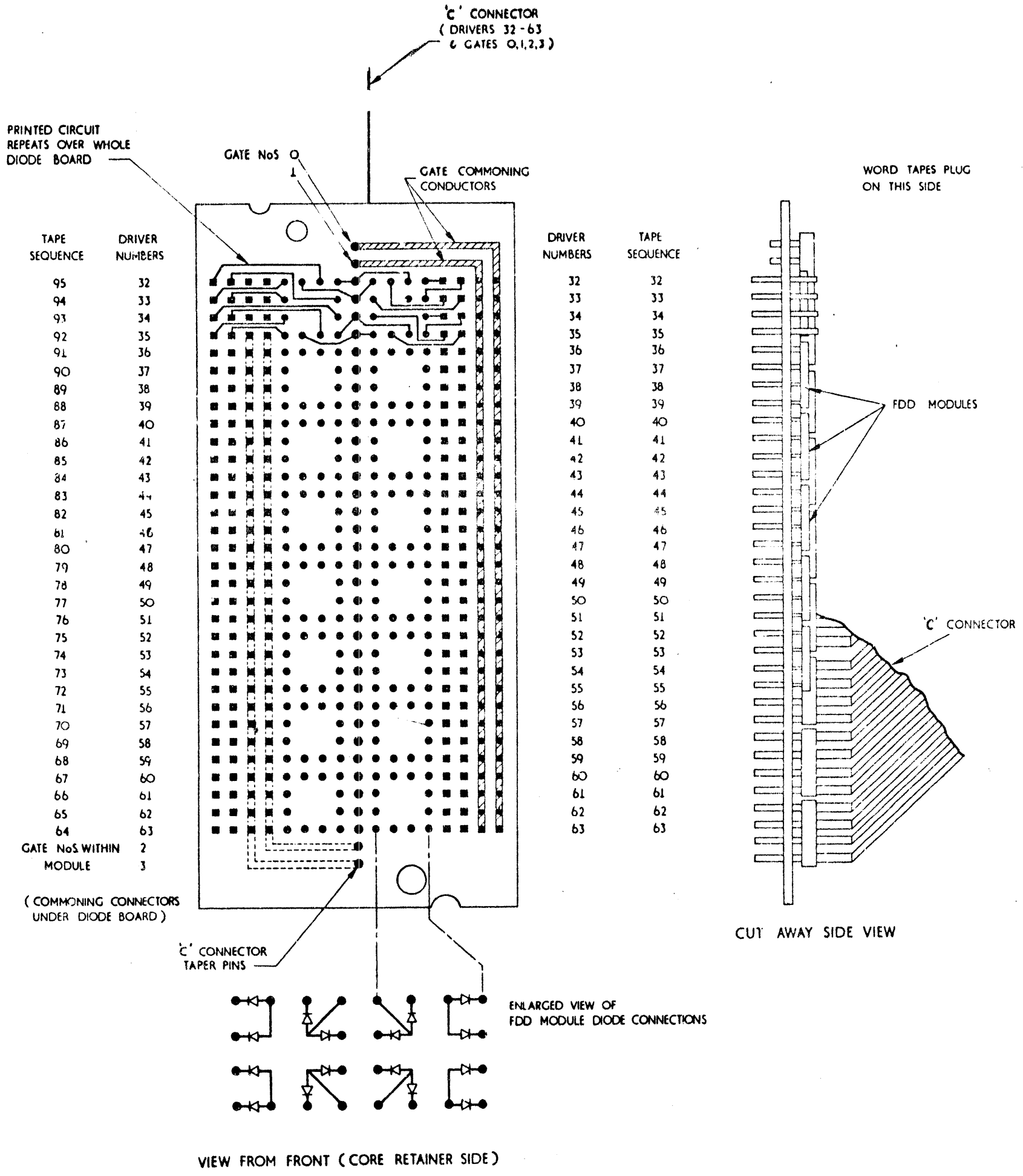
TAPE SEQUENCE	DRIVER NUMBERS
31	31
30	30
29	29
28	28
27	27
26	26
25	25
24	24
23	23
22	22
21	21
20	20
19	19
18	18
17	17
16	16
15	15
14	14
13	13
12	12
11	11
10	10
9	9
8	8
7	7
6	6
5	5
4	4
3	3
2	2
1	1
0	0
GATE NoS. WITHIN MODULE	1
	0

DRIVER NUMBERS	TAPE SEQUENCE
31	96
30	97
29	98
28	99
27	100
26	101
25	102
24	103
23	104
22	105
21	106
20	107
19	108
18	109
17	110
16	111
15	112
14	113
13	114
12	115
11	116
10	117
9	118
8	119
7	120
6	121
5	122
4	123
3	124
2	125
1	126
0	127

MODULE DIODE BOARD

INTERNATIONAL BUSINESS MACHINES CORP.		DATE	CHANGE NO.	APPROVAL	DATE	CHANGE NO.	APPROVAL	DEVELOPMENT NO.
NAME	TROS REFERENCE	3. 8. 65	254799					
DESIGN	T.C.P.	9. 7. 65	254852	N				
DETAIL								
CHECK								
API RO	D.J.F.	4. 8. 65						EC571

5348777

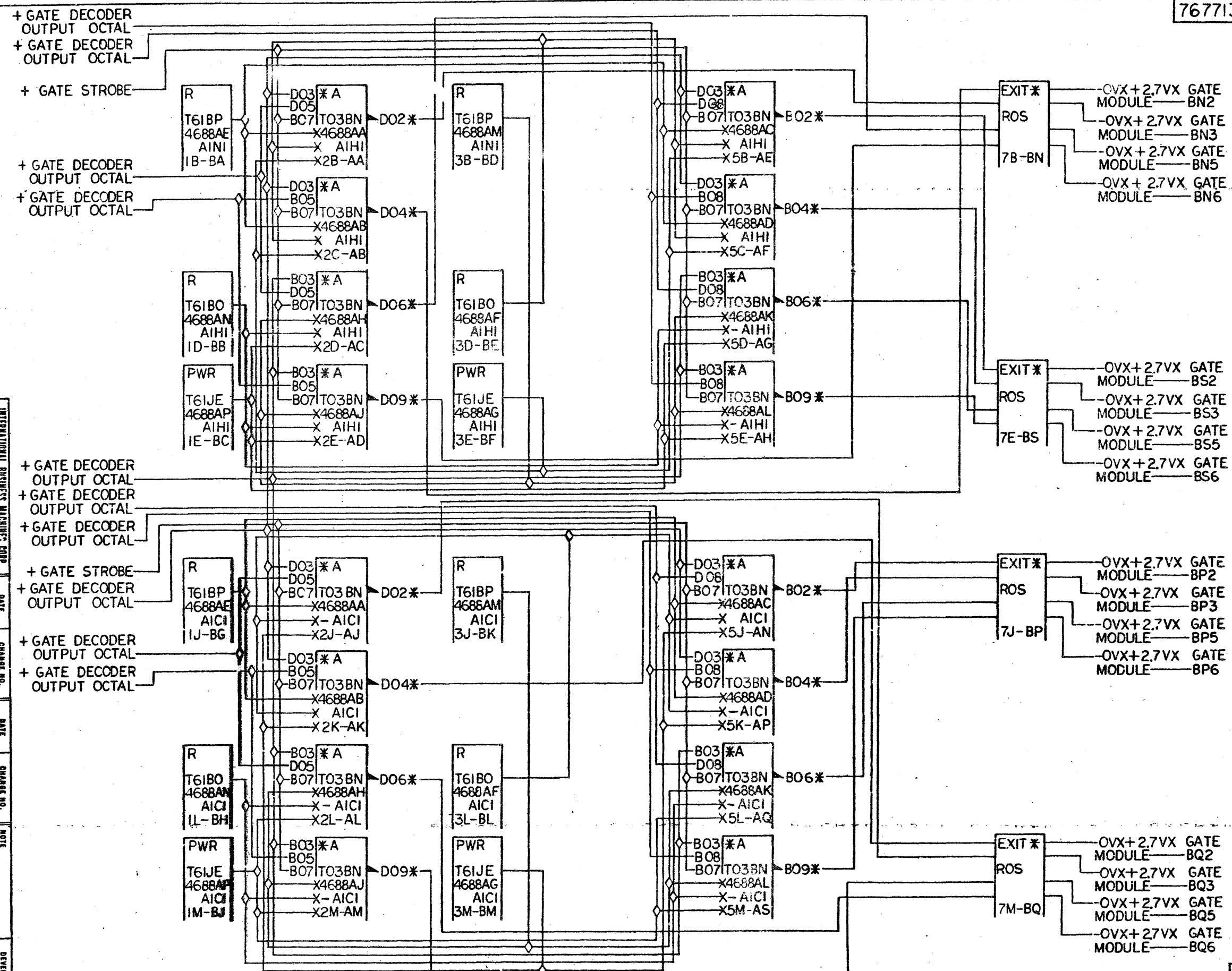


MODULE DIODE BOARD

INTERNATIONAL BUSINESS MACHINES CORP.		DATE	CHANGE NO.	APPROVAL	DATE	CHANGE NO.	APPROVAL	DEVELOPMENT NO.
NAME TROS REFERENCE		3 8 65	254799					
DESIGN CPH		9 7 65	254852	N				
DETAIL	SCALE							
CHECK	DRAW							EC 581
APPROV D.T.T	CHECK							

C

5348777



NAME	INTERNATIONAL BUSINESS MACHINES CORP.
REF. DWG. OF COMM. BLD.	22 SEP 67
DESIGN	551668
MODEL	
DATE	
CHANGE NO.	
DATE	
CHANGE NO.	
NOTE	X PRINT TO ENG. SPEC. NO.
DEVELOPMENT NO.	
E.C. 594	
767713	

COMMENT - LOGIC BACK E.C. HISTORY:
 2020 | 2040 | 2314 | 2841 ROS 2
 254834, 390071 | 254807 | 254862 | 254870
 551640

NOTE 1 - THIS IS A LOGIC REPRESENTATION OF P.N. 5804688 BEFORE SMALL CARD E.C. 165453 B.

A2	CONNECTOR
B02	EC011AK4
B03	EC011AR4
B05	EC011AP4
B07	EC051AN3
B08	EC091AQ3
EC9	EC051AF3
B10	EC051AG3
B12	EC051AC3
B13	EC051AP3
D02	EC011AJ4
D04	EC011AQ4
D06	EC011AN4
D07	EC091AM3
D09	EC131AP3
D10	EC051AR3
D11	EC051AF3
D12	EC051AD3
D13	EC051AB3

A3	CONNECTOR
B02	EC131AQ3
B03	EC131AN3
B04	EC131AL3
B05	EC131AJ3
B07	EC091AN3
B08	EC091AL3
B09	EC091AJ3
B10	EC051AQ3
B12	EC051AL3
B13	EC051AJ3
D02	EC131AR3
D04	EC131AM3
D05	EC131AK3
D06	EC091AR3
D07	EC091AP3
D09	EC091AK3
D10	EC051AR3
D11	EC051AP3
D12	EC051AM3
D13	EC051AK3

A4	CONNECTOR
B02	EB011AF4
B03	EB021AF4
B04	EB031AF4
B05	EB041AF4
B07	EB051AF4
B08	EB011AH4
B09	EB021AH4
B10	EB031AH4
B12	EB041AH4
B13	EB051AH4
D02	EB011AG4
D04	EB021AG4
D05	EB031AG4
D06	EB041AG4
D07	EB051AG4
D09	EB011AJ4
D10	EB021AJ4
D11	EB031AJ4
D12	EB041AJ4
D13	EB051AJ4

A5	CONNECTOR
B02	EB011AK4
B03	EB021AK4
B04	EB031AK4
B05	EB041AK4
B07	EB051AK4
B08	EB011AM4
B09	EB021AM4
B10	EB031AM4
B12	EB041AM4
B13	EB051AM4
D02	EB011AL4
D04	EB021AL4
D05	EB031AL4
D06	EB041AL4
D07	EB051AL4
D09	EB011AN4
D10	EB021AN4
D11	EB031AN4
D12	EB041AN4
D13	EB051AN4

A6	CONNECTOR
B02	EB061AF4
B03	EB071AF4
B04	EB081AF4
B05	EB091AF4
B07	EB101AF4
B08	EB061AH4
B09	EB071AH4
B10	EB081AH4
B12	EB091AH4
B13	EB101AH4
D02	EB061AG4
D04	EB071AG4
D05	EB081AG4

A6	D06	EB091AG4
	D07	EB101AG4
	D09	EB061AJ4
	D10	EB071AJ4
	D11	EB081AJ4
	D12	EB091AJ4
	D13	EB101AJ4

A7	CONNECTOR
B02	EB061AK4
B03	EB071AK4
B04	EB081AK4
B05	EB091AK4
B07	EB101AK4
B08	EB061AM4
B09	EB071AM4
B10	EB081AM4
B12	EB091AM4
B13	EB101AM4
D02	EB061AL4
D04	EB071AL4
D05	EB081AL4
D06	EB091AL4
D07	EB101AL4
D09	EB061AN4
D10	EB071AN4
D11	EB081AN4
D12	EB091AN4
D13	EB101AN4

B2	CONNECTOR
B02	EC011AB4
B03	EC011AD4
B05	EC011AL4
B07	EC171AN3
B08	EC171AG3
B09	EC131AE3
B10	EC131AG3
B12	EC131AC3
B13	EC131AR3
D02	EC011AR4
D04	EC011AC4
D05	EC011AM4
D07	EC171AD3
D09	EC091AF3
D10	EC131AH3
D11	EC131AF3
D12	EC131AD3
D13	EC131AB3

B3	CONNECTOR
B02	EC091AG3
B03	EC091AE3
B04	EC091AC3
B05	EC091AR3
B07	EC171AE3
B08	EC171AC3
B09	EC171AG3
B10	EC171AJ3
B12	EC171AL3
B13	EC171AJ3
D02	EC091AH3
D04	EC091AD3
D05	EC091AB3
D06	EC171AH3
D07	EC171AF3
D09	EC171AB3
D10	EC171AR3
D11	EC171AP3
D12	EC171AM3
D13	EC171AK3

B4	DOUBLE CARD
B5	5804784 4784
EB011	A1 A2 A3 A4 A5 A6 A7 AB A9 AA AB AC AD AE

B6	CONNECTOR
B02	EB111AF4
B03	EB121AF4
B08	EB111AH4
B09	EB121AH4
D02	EB111AG4
D04	EB121AG4
D09	EB111AJ4
D10	EB121AJ4

B7	CONNECTOR
B02	EB111AK4
B03	EB121AK4
B08	EB111AM4
B09	EB121AM4
D02	EB111AL4
D04	EB121AL4
D09	EB111AN4
D10	EB121AN4
C2	DOUBLE CARD
	5804784 4784

C3	5804078 4078
EC011	A1 A2 A3 A4 A5 A6 A7 AB A9 AA AB AC AD AE

C4	DOUBLE CARD
C5	5804784 4784
EB021	A1 A2 A3 A4 A5 A6 A7 AB A9 AA AB AC AD AE

C6	DOUBLE CARD
C7	5804784 4784
EB061	A1 A2 A3 A4 A5 A6 A7 AB A9 AA AB AC AD AE

D1	CONNECTOR
A09	EC281AC4
A11	EC281SR7

D2	DOUBLE CARD
D3	5804080 4080
EC051	A1 A2 A3 A4 A5 A6 A7 AB A9 AA AB AC AD AE AF AG AH AJ AK AL

D4	DOUBLE CARD
D5	5804784 4784
EB031	A1 A2 A3 A4 A5 A6 A7 AB A9 AA AB AC AD AE

D6	DOUBLE CARD
D7	5804784 4784
EB071	A1 A2 A3 A4 A5 A6 A7 AB A9 AA AB AC AD AE

E2	DOUBLE CARD
E3	5804080 4080
EC091	A1 A2 A3 A4 A5 A6 A7 AB A9 AA AB AC AD AE AF AG AH AJ AK AL

E4	DOUBLE CARD
E5	5804784 4784
EB041	A1 A2 A3 A4 A5 A6 A7 AB A9 AA AB AC AD AE

E6	DOUBLE CARD
E7	5804784 4784
EB081	A1 A2 A3 A4 A5 A6 A7 AB A9 AA AB AC AD AE

F2	DOUBLE CARD
F3	5804080 4080
EC131	A1 A2 A3 A4 A5 A6 A7 AB A9 AA AB AC AD AE AF AG AH AJ AK AL

F4	DOUBLE CARD
F5	5804784 4784
EB051	A1 A2 A3 A4 A5 A6 A7 AB A9 AA AB AC AD AE

F6	DOUBLE CARD
F7	5804784 4784
EB091	A1 A2 A3 A4 A5 A6 A7 AB A9 AA AB AC AD AE

G2	DOUBLE CARD
G3	5804080 4080
EC171	A1 A2 A3 A4 A5 A6 A7 AB A9 AA AB AC AD AE AF AG AH AJ AK AL

G4	DOUBLE CARD
G5	5804784 4784

EB121	A1 A2 A3 A4 A5 A6 A7 AB A9 AA AB AC AD AE
-------	---

G6	DOUBLE CARD
G7	5804784 4784
EB101	A1 A2 A3 A4 A5 A6 A7 AB A9 AA AB AC AD AE

H2	DOUBLE CARD
H3	5804078 4078
EC021	A1 A2 A3 A4 A5 A6 A7 AB AA AB AC AD AE AF AG AH

H4	DOUBLE CARD
H5	5804461 4461
EB191	A3 A4 A7 A8 A9
EB181	AC AD AG AH AJ AR

H6	DOUBLE CARD
H7	5804784 4784
EB111	A1 A2 A3 A4 A5 A6 A7 AB A9 AA AB AC AD AE

J2	DOUBLE CARD
J3	5804786 4786
EC251	A1 A2 A3 A4 A5 A6 A7 AB A9 AA AB AC AD AE AF
EC281	B1

J4	DOUBLE CARD
J5	5804461 4461
EB211	A3 A4 A7 A8 A9
EB201	AC AD AG AH AJ AR

J6	DOUBLE CARD
J7	5804461 4461
EB251	A3 A4 A7 A8 A9
EB241	AC AD AG AH AJ AR

K4	DOUBLE CARD
K5	5804461 4461
EB231	A3 A4 A7 A8 A9
EB221	AC AD AG AH AJ AR

K6	DOUBLE CARD
K7	5804461 4461
EB271	A3 A4 A7 A8 A9
EB261	AC AD AG AH AJ AR

L4	DOUBLE CARD
L5	5804788 4788
EC281	A1 A2 A3 A4 A5 A6 A7 AB A9 AA AB AC AD AE AF AG AH

L6	DOUBLE CARD
L7	5804461 4461
EB291	A3 A4 A7 A8 A9
EB281	AC AD AG AH AJ AR

M4	CONNECTOR
B02	EB181AA4
B03	EB181AC4
B04	EB181AD4
B05	EB191AB4
B07	EB201AA4
B08	EB201AC4
B09	EB201AD4
B10	EB211AB4
B12	EB221AA4
B13	EB221AC4
D02	EB181AB4
D04	EB191AA4

M6	CONNECTOR
B02	EB231AA4
B03	EB231AC4
B04	EB231AD4
B05	EB241AB4
B07	EB251AA4
B08	EB251AC4
B09	EB251AD4
B10	EB261AB4
B12	EB271AA4
B13	EB271AC4
D02	EB181AB4
D04	EB191AA4

M8	CONNECTOR
B02	EB181AA4
B03	EB181AC4
B04	EB181AD4
B05	EB191AB4
B07	EB201AA4
B08	EB201AC4
B09	EB201AD4
B10	EB211AB4
B12	EB221AA4
B13	EB221AC4
D02	EB181AB4
D04	EB191AA4

M6	CONNECTOR
B02	EB231AA4
B03	EB231AC4
B04	EB231AD4
B05	EB241AB4
B07	EB251AA4
B08	EB251AC4
B09	EB251AD4

M4	D05	EB191AC4
	D06	EB191AD4
	D07	EB201AB4
	D09	EB211AA4
	D10	EB211AC4
	D11	EB211AD4
	D12	EB221AB4
	D13	EB221AD4

M6	CONNECTOR
B02	EB231AA4
B03	EB231AC4
B04	EB231AD4
B05	EB241AB4
B07	EB251AA4
B08	EB251AC4
B09	EB251AD4
B10	EB261AB4
B12	EB271AA4
B13	EB271AC4
D02	EB231AB4
D04	EB241AA4
D05	EB241AC4
D06	EB241AD4
D07	EB251AB4
D09	EB261AA4
D10	EB261AC4
D11	EB261AD4
D12	EB271AB4
D13	EB271AD4

M7	CONNECTOR
B02	EB281AA4
B03	EB281AC4
B04	EB281AD4
B05	EB291AB4
D02	EB281AB4
D04	EB291AA4
D05	EB291AC4
D06	EB291AD4

M2	CONNECTOR
B03	EC311AC4
B04	EC311AE4
B05	EC311AG4
B07	EC311AJ4
B08	EC311AL4
D04	EC311AD4
D05	EC311AF4
D06	EC311AH4
D07	EC311AK4
D09	EC311AM4

M3	CONNECTOR
B02	EC311AR4
B03	EC311AT4
B04	EC311AV4
B05	EC311AX4
B07	EC311AZ4
B08	EC311BB4
D02	EC311AS4
D04	EC311AU4
D05	EC311AW4
D06	EC311AY4
D07	EC311BA4
D09	EC311BC4
D11	EC311BD4
D12	EC311BE4
D13	EC311BF4

M4	CONNECTOR
B02	EB181AA4
B03	EB181AC4
B04	EB181AD4
B05	EB191AB4
B07	EB201AA4
B08	EB201AC4
B09	EB201AD4
B10	EB211AB4
B12	EB221AA4
B13	EB221AC4
D02	EB181AB4
D04	EB191AA4
D05	EB191AC4
D06	EB191AD4
D07	EB201AB4
D09	EB211AA4
D10	EB211AC4
D11	EB211AD4
D12	EB221AB4
D13	EB221AD4

M6	CONNECTOR
B02	EB231AA4
B03	EB231AC4
B04	EB231AD4
B05	EB241AB4
B07	EB251AA4
B08	EB251AC4
B09	EB251AD4

N6	B10	EB261AB4
	B12	EB271AA4
	B13	EB271AC4
	D02	EB231AB4
	D04	EB241AA4
	D05	EB241AC4
	D06	EB241AD4
	D07	EB251AB4
	D09	EB261AA4
	D10	EB261AC4
	D1	

X1
 B12 EA111AL4
 B13 EA111AJ4
 D02 EC011AR4
 D04 EC011AC4
 D05 EC011AM4
 D07 EA101AM4
 D09 EA111AF4
 D10 EA111AR4
 D11 EA111AP4
 D12 EA111AM4
 D13 EA111AK4

X2
 CONNECTOR
 B02 EA111AG4
 B03 EA111AE4
 B04 EA111AC4
 B05 EA111AD4
 B06 EA101AQ4
 B07 EA101AN4
 B08 EA101AL4
 B09 EA101AJ4
 B10 EA101AQ4
 B11 EA101AE4
 B12 EA101AC4
 B13 EA101AD4
 D02 EA111AH4
 D04 EA111AD4
 D05 EA111AB4
 D06 EA101AR4
 D07 EA101AP4
 D09 EA101AK4
 D10 EA101AH4
 D11 EA101AF4
 D12 EA101AD4
 D13 EA101AB4

Y1
 CONNECTOR
 B02 EC011AK4
 B03 EC011AR4
 B05 EC011AP4
 B07 EA082AE4
 B08 EA082AQ4
 B09 EA091AN4
 B10 EA091AQ4
 B11 EA091AN4
 B12 EA091AL4
 B13 EA091AJ4
 D02 EC011AJ4
 D04 EC011AQ4
 D06 EC011AN4
 D07 EA082AM4
 D09 EA091AF4
 D10 EA091AR4
 D11 EA091AP4
 D12 EA091AN4
 D13 EA091AK4

Y2
 CONNECTOR
 B02 EA091AG4
 B03 EA091AE4
 B04 EA091AC4
 B05 EA091AD4
 B06 EA082AQ4
 B07 EA082AN4
 B08 EA082AL4
 B09 EA082AJ4
 B10 EA082AG4
 B11 EA082AE4
 B12 EA082AC4
 B13 EA082AA4
 D02 EA091AH4
 D03 EA091AF4
 D04 EA091AD4
 D05 EA091AB4
 D06 EA082AR4
 D07 EA082AP4
 D09 EA082AK4
 D10 EA082AH4
 D11 EA082AF4
 D12 EA082AD4
 D13 EA082AB4

PLUG LIST

PART NO	ACC	TYPE	SOCKETS				TOTAL
5804688	4688	C1	H1	N1	T1	04	
	CONN	A1	R2	B1	E2	36	
		D1	D2	F1	E2		
		F1	F2	G1	G2		
		J1	J2	K1	K2		
		L1	L2	M1	M2		
		P1	P2	Q1	Q2		
		R1	R2	S1	S2		
		U1	U2	V1	V2		
		X1	X2	Y1	Y2		

SOCKET LISTING
 DATE 12-07-67 RACH# 2841R052
 LOG 114 BOARD 02B-A1
 PREV. ENGR. - -
 PRES. ENGR. 11-01-67 551682
 P#N# 0767428
 IBM CORP. SDD JLK