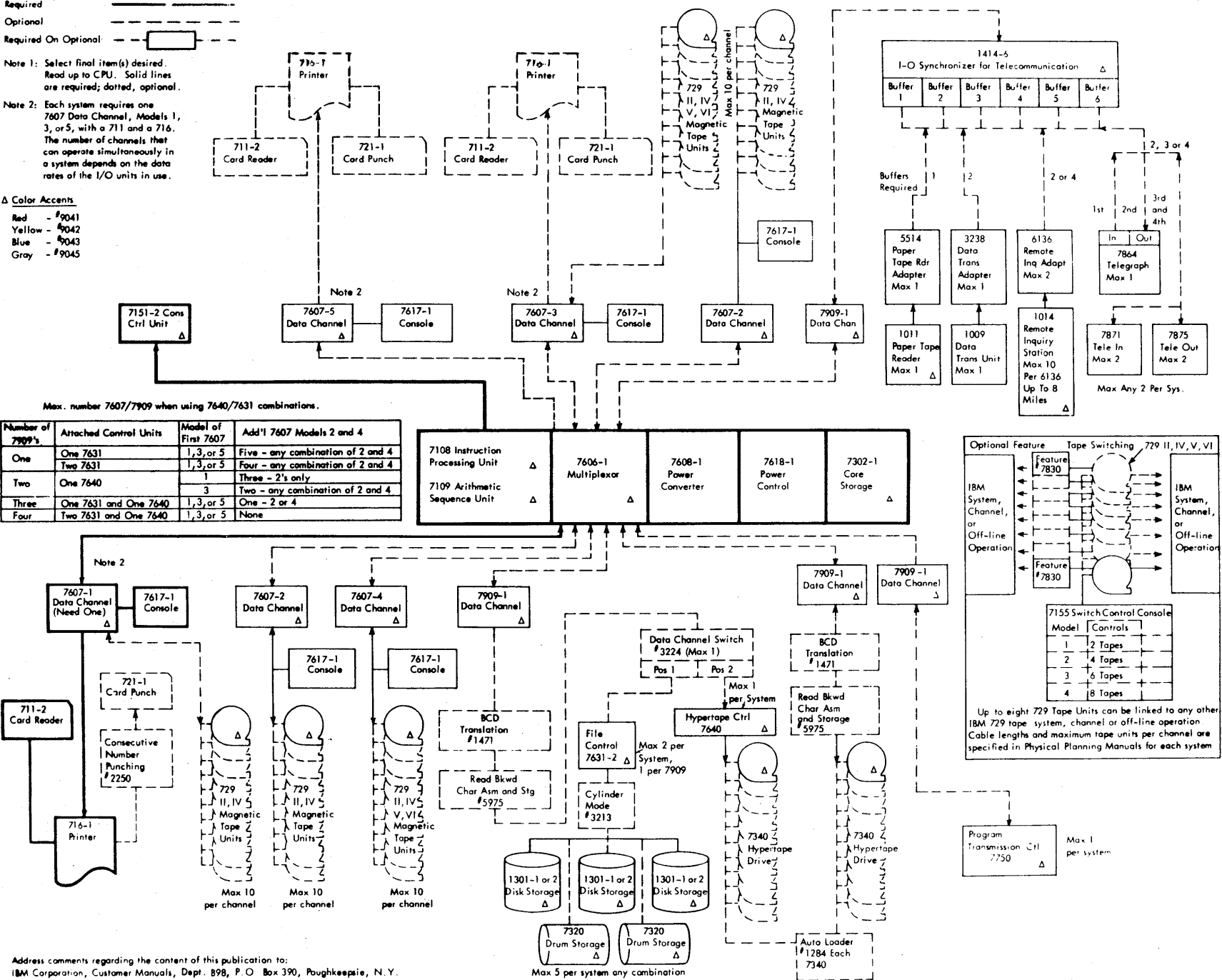


IBM 7090 Configuration

Required _____
Optional - - - - -
Required On Optional - - - - -

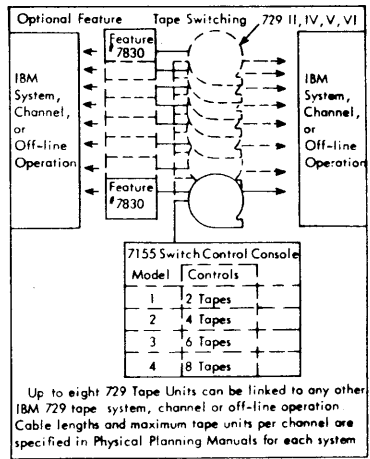
Note 1: Select final item(s) desired. Read up to CPU. Solid lines are required; dotted, optional.
Note 2: Each system requires one 7607 Data Channel, Models 1, 3, or 5, with a 711 and a 716. The number of channels that can operate simultaneously in a system depends on the data rates of the I/O units in use.

Δ Color Accents
Red - #9041
Yellow - #9042
Blue - #9043
Gray - #9045



Max. number 7607/7909 when using 7640/7631 combinations.

Number of 7909's	Attached Control Units	Model of First 7607	Add'l 7607 Models 2 and 4
One	One 7631	1, 3, or 5	Five - any combination of 2 and 4
	Two 7631	1, 3, or 5	Four - any combination of 2 and 4
Two	One 7640	1	Three - 2's only
	One 7631 and One 7640	3	Two - any combination of 2 and 4
Three	One 7631 and One 7640	1, 3, or 5	One - 2 or 4
Four	Two 7631 and One 7640	1, 3, or 5	None



Up to eight 729 Tape Units can be linked to any other IBM 729 tape system, channel or off-line operation. Cable lengths and maximum tape units per channel are specified in Physical Planning Manuals for each system.