

5280



S131-0633-1

IBM 5280 Distributed Data System

**IBM 5281 Data Station and
IBM 5285 Programmable Data Station
Parts Catalog**

Preface

The purpose of this publication is to list and to show illustrations of all replaceable assemblies, subassemblies, and detail parts released to Production Control on or before 1 December 1980 of the IBM 5281 Data Station and IBM 5285 Programmable Data Station. This publication is for the use of an IBM customer engineer or a service representative.

Second Edition (December 1980)

This is a major revision of, and obsoletes S131-0633-0. Because the changes and additions are extensive, this publication should be reviewed in its entirety.

Changes are periodically made to the information herein; before using this publication in connection with the operation of IBM systems, be sure you have the latest edition.

Use this publication only for the purposes stated in the *Preface*.

This publication could contain technical inaccuracies or typographical errors. Use the Reader's Comment Form at the back of this publication. If the form has been removed address your comments to IBM Corporation, Information Design and Development, Department 997, 11400 Burnet Road, Austin, Texas 78757. IBM may use and distribute any of the information you supply in any way it believes appropriate without incurring any obligation whatever. You may, of course, continue to use the information you supply.

HOW TO USE A PARTS CATALOG	ii
VISUAL INDEX	viii
CATALOG SECTION	1
Figure 1. Covers	2
Figure 2. 5282 Logic Asm	3
Figure 3. 5281 Logic Asm	4
Figure 4. Diskette Drives	5
Figure 5. Spindle and Pulley Asm	6
Figure 6. Carriage and Pulley Asm	7
Figure 7. Diskette Guide and Clamping Asm	8
Figure 8. Motor, Capacitor and Actuator Asm	9
Figure 9. Final Asm	10
Figure 10. CRT and Power Supply Asm Sheet 1 of 2	11
Figure 10. CRT and Power Supply Asm Sheet 2 of 2	12
Figure 11. Keyboard Cable and Grounds	13
Figure 12. Switch Panel and Keylock	14
Figure 13. Rear Panel	15
Figure 14. Line Filter, Capacitor and Base	16
Figure 14. Line Filter, Capacitor and Base Line Cord Chart	17
Figure 15. Keyboard and Cover Asm Sheet 1 of 2	18
Figure 15. Keyboard and Cover Asm Sheet 2 of 2	19
Figure 16. Keyboard Asm	20
Figure 17. Typewriter Keybutton Chart 1 of 5	21
Figure 17. Typewriter Keybutton Chart 2 of 5	22
Figure 17. Typewriter Keybutton Chart 3 of 5	23
Figure 17. Typewriter Keybutton Chart 4 of 5	24
Figure 17. Typewriter Keybutton Chart 5 of 5	25
Figure 18. Data Entry Keybutton Chart 1 of 5	26
Figure 18. Data Entry Keybutton Chart 2 of 5	27
Figure 18. Data Entry Keybutton Chart 3 of 5	28
Figure 18. Data Entry Keybutton Chart 4 of 5	29
Figure 18. Data Entry Keybutton Chart 5 of 5	30
Figure 19. Data Entry Keybutton Chart (with proof)	31
Figure 20. Cable Routing Sheet 1 of 3	32
Figure 20. Cable Routing 5281 Sheet 2 of 3	33
Figure 20. Cable Routing 5285 Sheet 3 of 3	34
Figure 21. Cable and Jumper Asm with Component Part	35
NUMERICAL INDEX	X-1

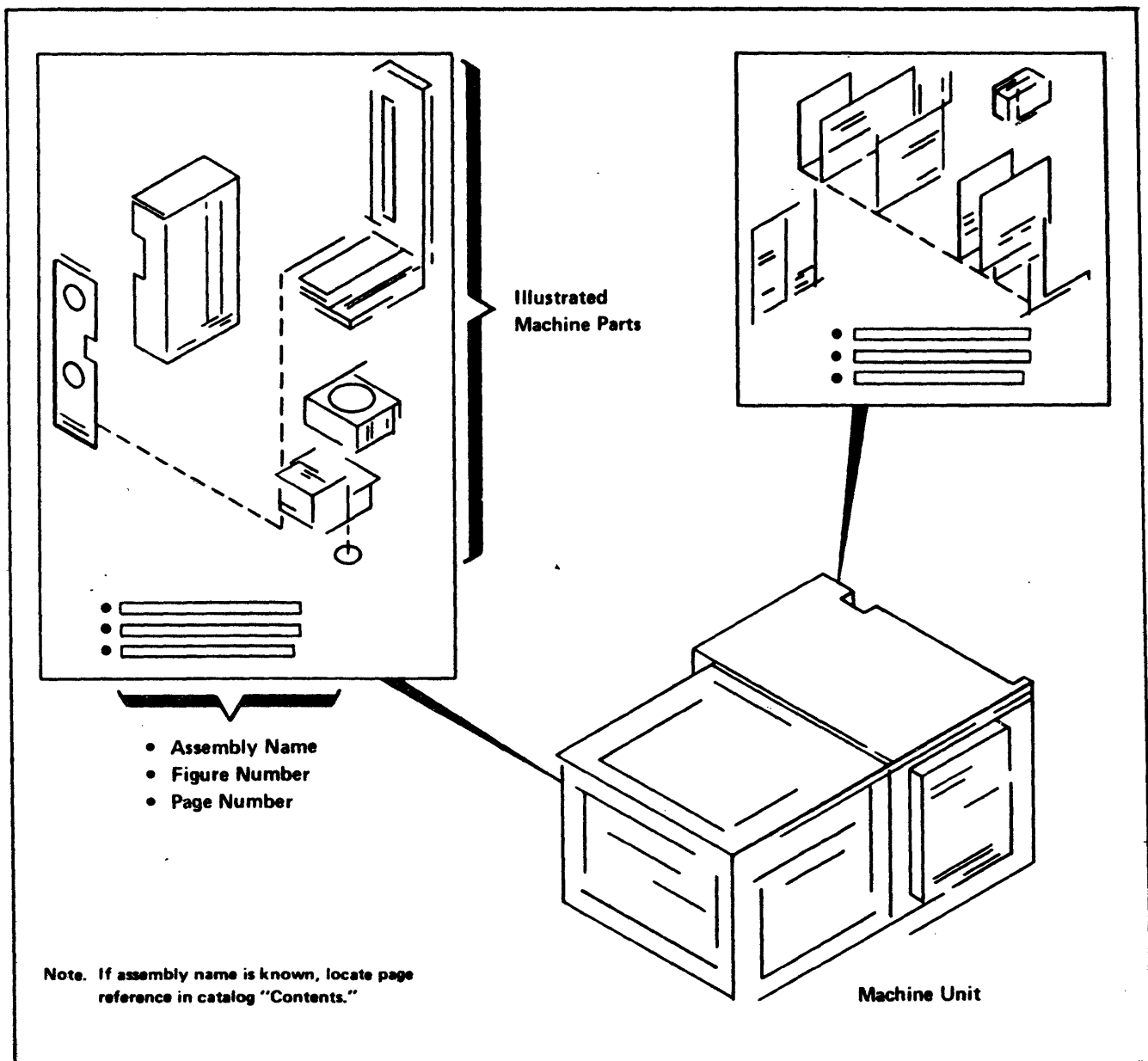
How to Use a Parts Catalog

PARTS CATALOG STRUCTURE

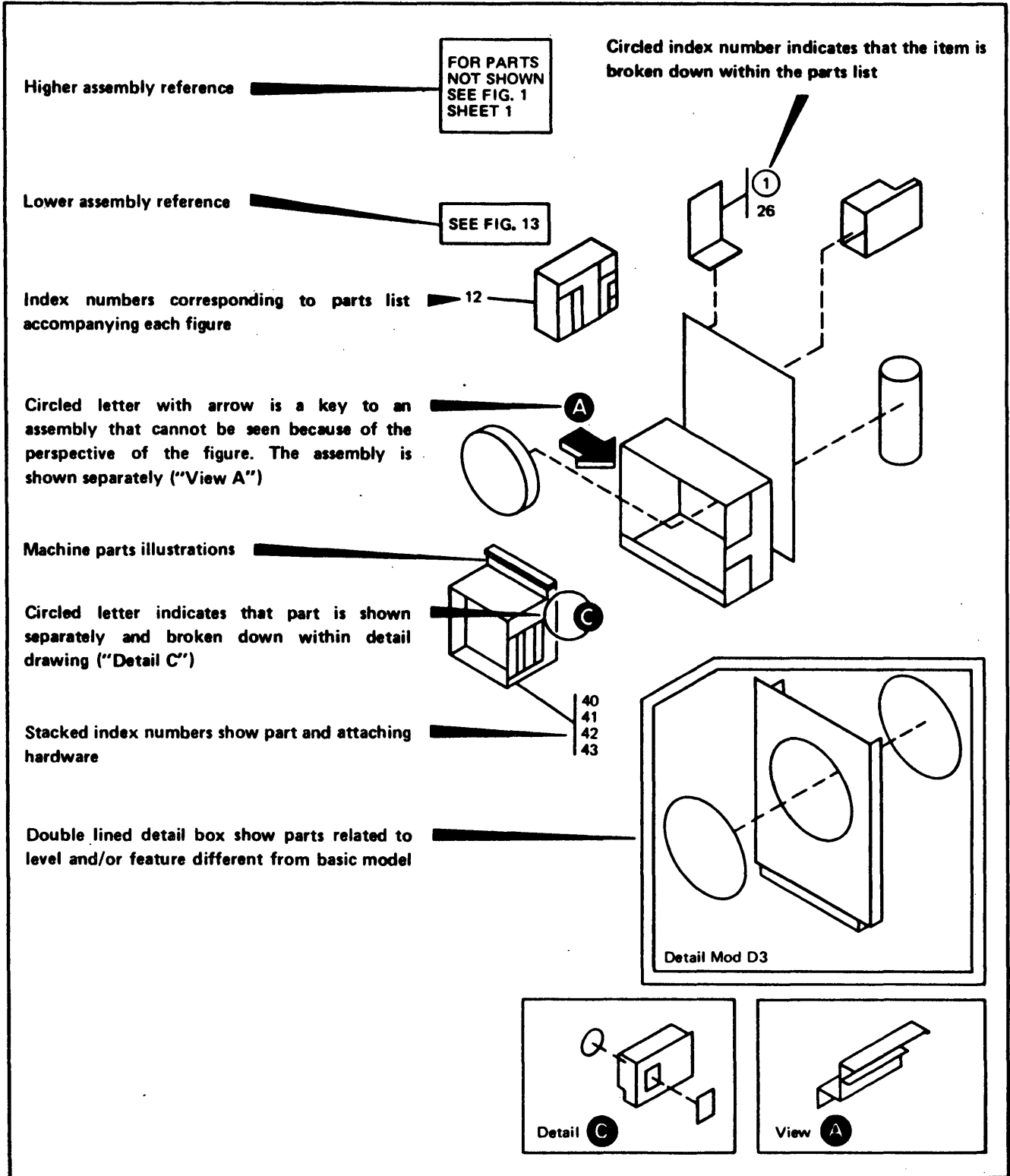
To find parts quickly, you should have a general understanding of the three major sections of this catalog:

- 1** Visual Index (machine assembly illustrations and page locations within the Catalog Section)
- 2** Catalog Section (assembly illustrations with accompanying parts lists)
- 3** Numerical Index (parts listed in numerical order with cross-references to applicable figure numbers within the Catalog Section)

1 VISUAL INDEX This is a starting point for locating a part in the Catalog Section



2 CATALOG SECTION (illustrated parts breakdown)



2 CATALOG SECTION (parts lists)

POWER SUPPLY

FIGURE INDEX NUMBER	PART NUMBER	UNITS PER ASM.	DESCRIPTION				
			1	2	3	4	
3 -	5892856	REF					POWER SUPPLY ASM, NO. 1- 110V 50 AND 60 HZ
-	5892858	REF					POWER SUPPLY ASM, NO. 1- 208V 50 AND 60 HZ
-	1553193	REF					POWER SUPPLY ASM, NO. 1 AND 3- 60 HZ LV
-	1553194	REF					POWER SUPPLY ASM, NO. 1 AND 3- 60 HZ HV
-	1553195 NP	REF					POWER SUPPLY ASM, NO. 1 AND 3- 50 HZ LV
-	1553196 NP	REF					POWER SUPPLY ASM, NO. 1 AND 3- 50 HZ HV
-	1631389	REF					PWR SPLY ASM, NO. 1 AND 3-50 HZ LV-UK ONLY
-	1631390	REF					PWP SPLY ASM, NO. 1 AND 3-50 HZ HV-UK ONLY FOR NEXT HIGHER ASM SEE LIST 2-21 AND 23 AND FOR ILLUSTRATION FIG. 3
- 1	NO NO.	1					. LABEL
- 2	845762	1					. LABEL
- 3	5891299	1					. COVER
- 4	"COMM"	4					. SCREW, MACH BIND HD 8-32 NC-2A X .250 LG
- 5	1672336	1					. FUSE, 7A-USED ON 208V POWER SUPPLY NC. 1 NO FUSE REQUIRED ON 110V POWER SUPPLY
- 6	512137	1					. FUSE, 5A-USED ON 110V POWER SUPPLY NC. 1
- 6	1672336	1					. FUSE, 7A-USED ON 208V POWER SUPPLY NC. 1
- 7	5130278 NR	1					. LABEL-USED ON 208V POWER SUPPLY NO. 1
- 8	5130277	1					. LABEL-USED ON 110V POWER SUPPLY NC. 1
- 8	5130278	1					. LABEL-USED ON 208V POWER SUPPLY NC. 1
- 9	1553738	1					. POWER INPUT ASM FOR DETAIL BREAKDOWN SEE LIST 4
- 10	58207	AR					. SCREW, MACH BIND HD 8-32 NC-2A X .250 LG ATT PT
- 11	5130276	1					. BRACKET
- 12	58207	3					. SCREW, MACH BIND HD 8-32 NC-2A X .250 LG ATT PT
- 13	2546652	5					. TIE, CABLE
- 14	2100264	2					. RELIEF, CABLE STRAIN
- 15	55901	3					. WASHER, LOCK EXT Y .176DIA
- 16	58207	3					. SCREW, MACH BIND HD 8-32 NC-2A X .250 LG

ITEM

MEANING

1	Similar Assemblies	Two assemblies having majority of identical parts are broken down on same list (common parts have same index number).
2	NP	Nonprocurable - parts not available separately; order next higher assembly.
3	Indenture	Shows the relationship of a part to its next higher assembly. For example: <i>Indenture</i> 1 2 3 4 MAIN ASSEMBLY • Detail parts of main assembly • Assembly within main assembly • • Detail part of one-dot assembly • • Assembly within one-dot assembly • • • Detail parts of two-dot assembly
4	NO NO.	No number - order detail parts separately.
5	"COMM"	Commercial hardware - order from commercial hardware source, not IBM.
6	NR	Not recommended - not recommended for field replacement; order next higher assembly.
7	REF	Reference - see complete assembly on a previous drawing for parts quantities.
8	ATT PT	Attaching parts - used to attach assemblies.
9	AR	As required - use quantity as required.

3 NUMERICAL INDEX

NUMERICAL INDEX

The numerical index follows the catalog section. Use it to locate a part when you know the part number only. The index lists part numbers in numerical order along with all applicable figures and parts lists.

Part numbers in
numerical order

References to figure, parts list,
and part index number

PART NO.	LIST AND INDEX NO.	PART NO.	LIST AND INDEX NO.	PART NO.	LIST AND INDEX NO.	PART NO.	LIST AND INDEX NO.
453	6 - 77	6935-COMT	12 - 4	10170-COMT	8 - 18	25627	6 - 17
	6 - 83		14 - 127		9 - 41		8 - 15
	6 - 93		14 - 132		9 - 84		15 - 93
455	11 - 31		15 - 77		10 - 42		15A- 75
845	1 - 09		15 - 81		11 - 2		24 - 8
2032	7 - 8		15 - 85		11 - 9	25891	2 - 49
3550	1 - 28		15A- 66		13 - 11		2 - 101
	1 - 55		15A- 70		14 - 14	26380	14 - 113

ORDERING PARTS

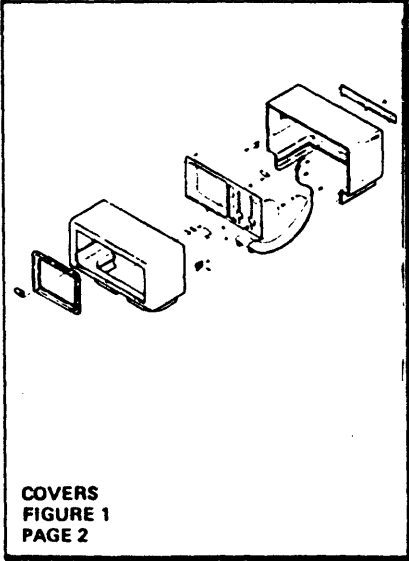
Refer to the Catalog Section when ordering parts. The example shown here should help guide you through a typical situation.

FIGURE-INDEX NUMBER	PART NUMBER	UNITS PER ASM.	DESCRIPTION
5 -	5891860 A	REF	POWER SUPPLY, NO. 3, 60 HZ
-	5892846	REF	POWER SUPPLY, NO. 3, 50 HZ
-	1631386	REF	POWER SUPPLY, NO. 3, 50 HZ-UK ONLY
			FOR NEXT HIGHER ASM SEE LIST 3-25 AND FOR ILLUSTRATION FIG. 5
- 1	475124	1	. CLAMP, CAPACITOR
- 2	59207	2	. SCREW, MACH BIND HD 8-32 NC-2A X .250 LG ATT PT
- 3	5252807	1	. CAPACITOR, C3
- 4	526778	2	. CAP
- 5	2701001	1	. TRANSFORMER, 60HZ
- 5	2701011	1	. TRANSFORMER, 50HZ
- 5	5130347 B	1	. TRANSFORMER, 50 HZ-UK ONLY
- 6	236849	4	. SCREW, MACH BIND HD 10-32 X .250LG ATT PT
- 7	56079	1	. WASHER, LOCK EXT T .204ID .4100D ATT PT
- 8	351237	1	. SHIELD
- 9	10170	2	. SCREW, MACH-BIND HD 6-32 X 1/4 LG ATT PT
- 10	322766	1	. TERMINAL BOARD- 8 DRL SCREW TERMINAL

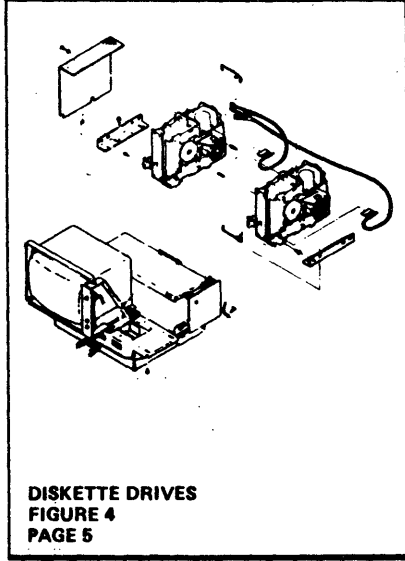
If, for example, you need the *power supply, no. 3, 60 HZ*, order part number 5891860 **A** (all one-dot items will also be received). See the explanation of the Catalog Section for information on how the leading dots are used in the parts listings. If you need the *transformer, 50 HZ-UK only*, order part number 5130347 **B** (all two-dot items will also be received). Each part may also be ordered separately except in the following cases:

- Many detail parts are unavailable if they are part of an inseparable assembly or if they are part of an assembly that is ordered as a unit. In such cases they are noted "Assembly components are not replaceable."
- Parts found on purchased assemblies may not have IBM part numbers. These parts are noted "Assembly components not available."

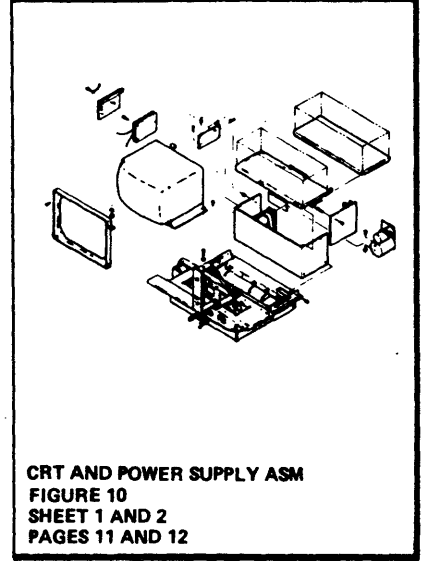
In either case, order the assembly rather than the detail parts.



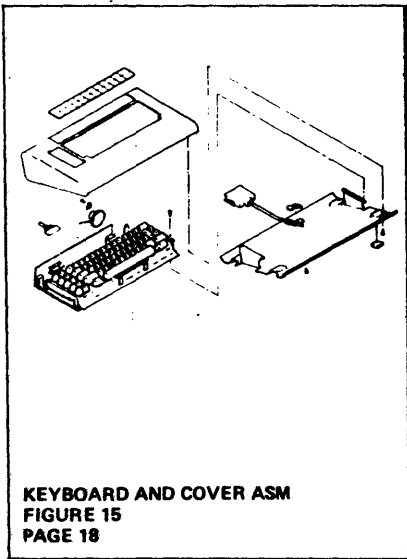
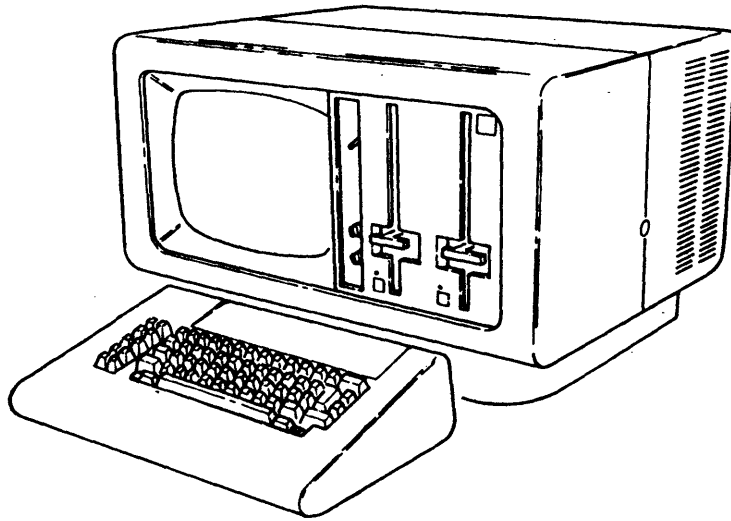
COVERS
FIGURE 1
PAGE 2



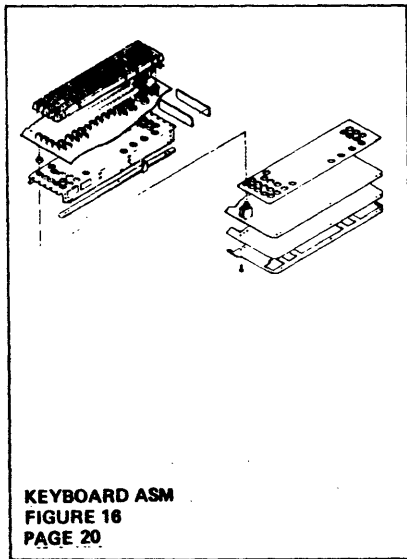
DISKETTE DRIVES
FIGURE 4
PAGE 5



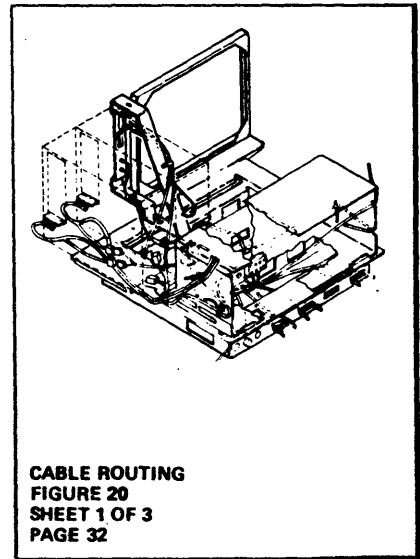
CRT AND POWER SUPPLY ASM
FIGURE 10
SHEET 1 AND 2
PAGES 11 AND 12



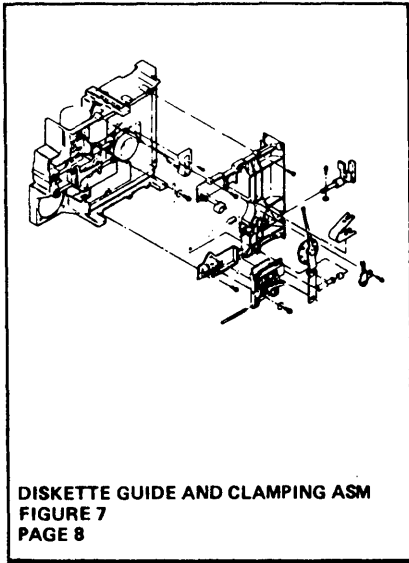
KEYBOARD AND COVER ASM
FIGURE 15
PAGE 18



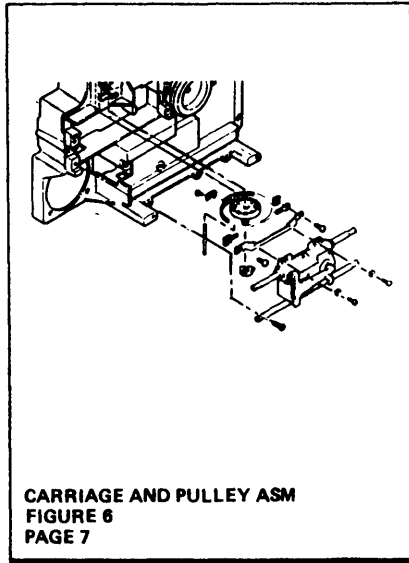
KEYBOARD ASM
FIGURE 16
PAGE 20



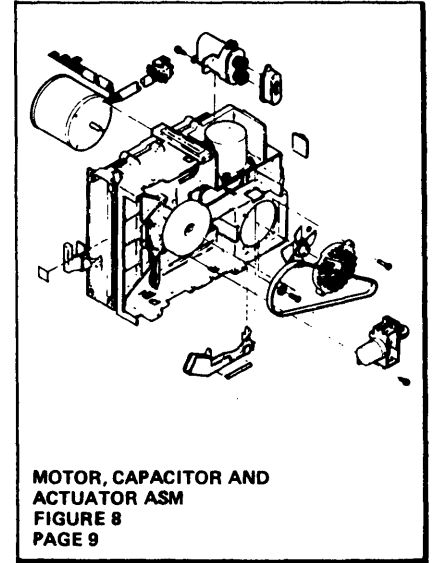
CABLE ROUTING
FIGURE 20
SHEET 1 OF 3
PAGE 32



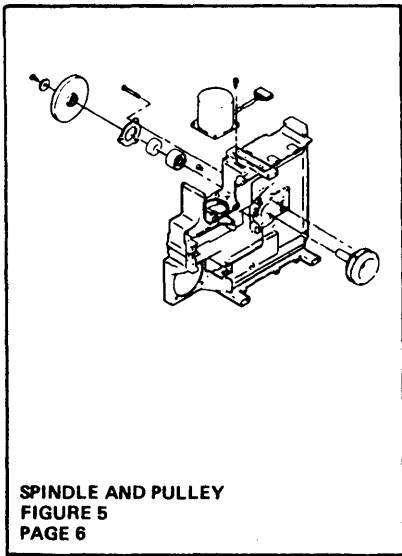
DISKETTE GUIDE AND CLAMPING ASM
FIGURE 7
PAGE 8



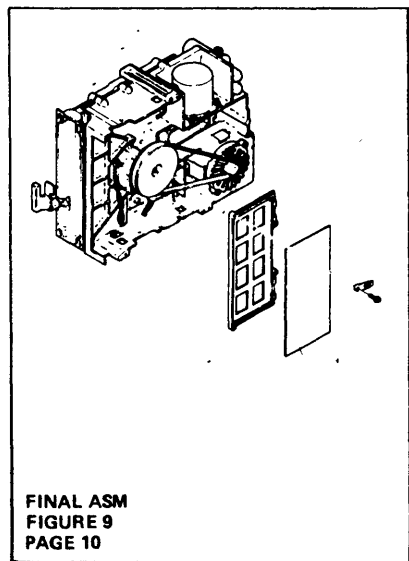
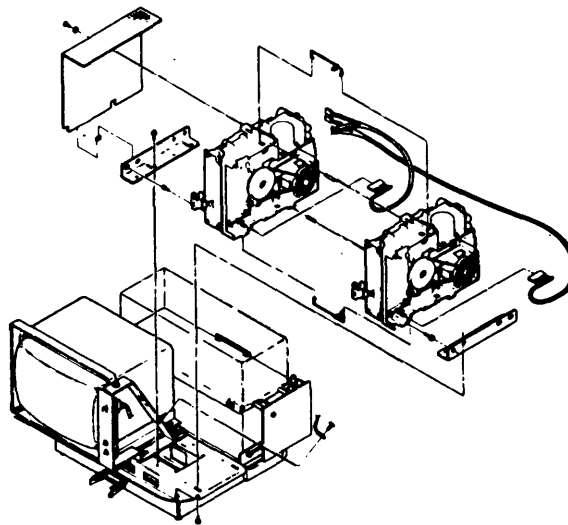
CARRIAGE AND PULLEY ASM
FIGURE 6
PAGE 7



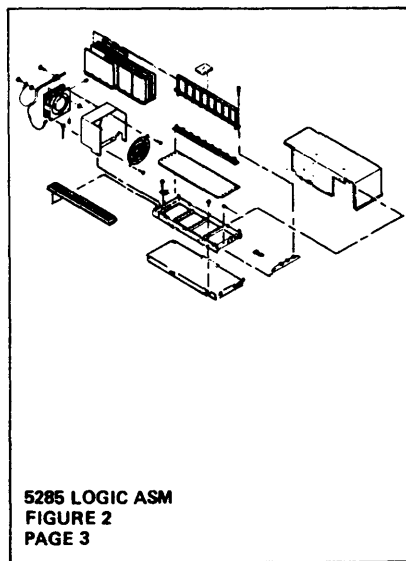
MOTOR, CAPACITOR AND ACTUATOR ASM
FIGURE 8
PAGE 9



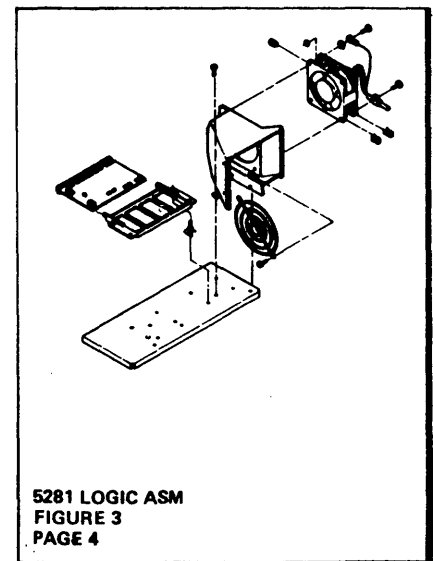
SPINDLE AND PULLEY
FIGURE 5
PAGE 6



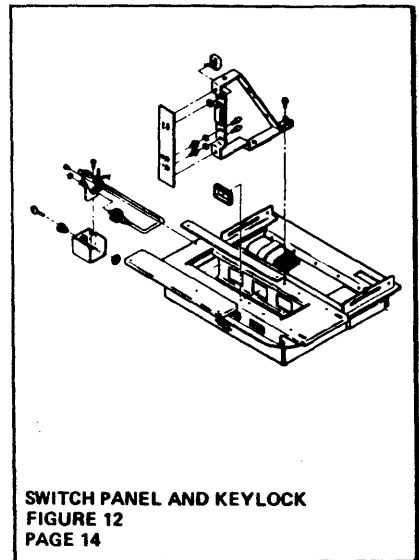
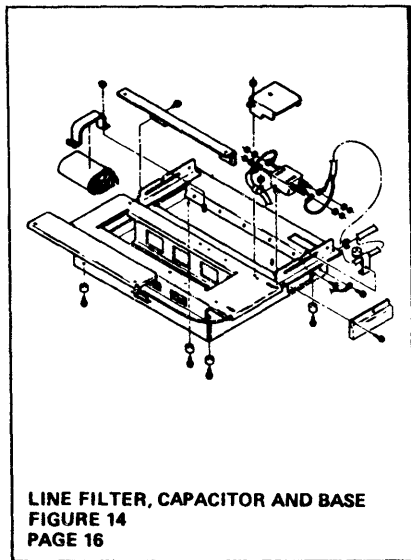
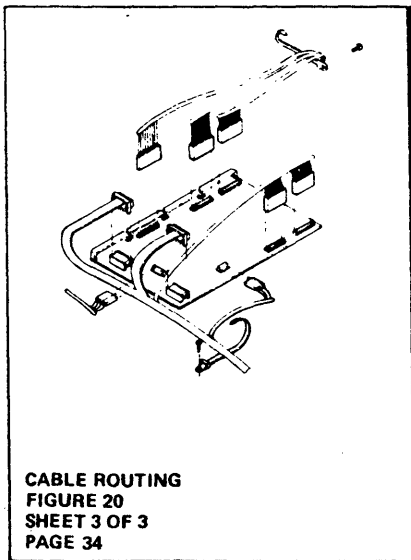
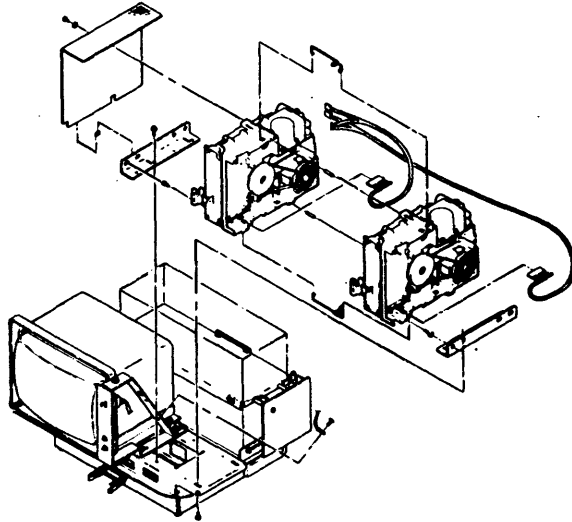
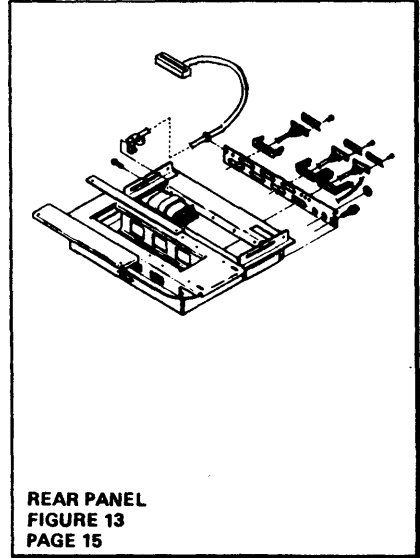
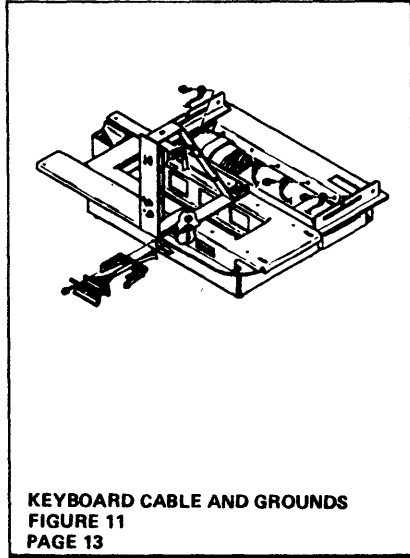
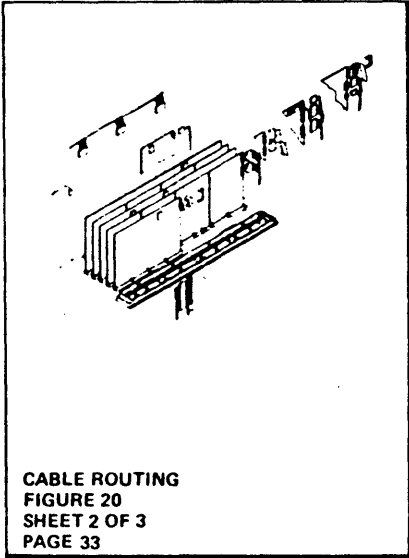
FINAL ASM
FIGURE 9
PAGE 10



5285 LOGIC ASM
FIGURE 2
PAGE 3



5281 LOGIC ASM
FIGURE 3
PAGE 4



CATALOG SECTION

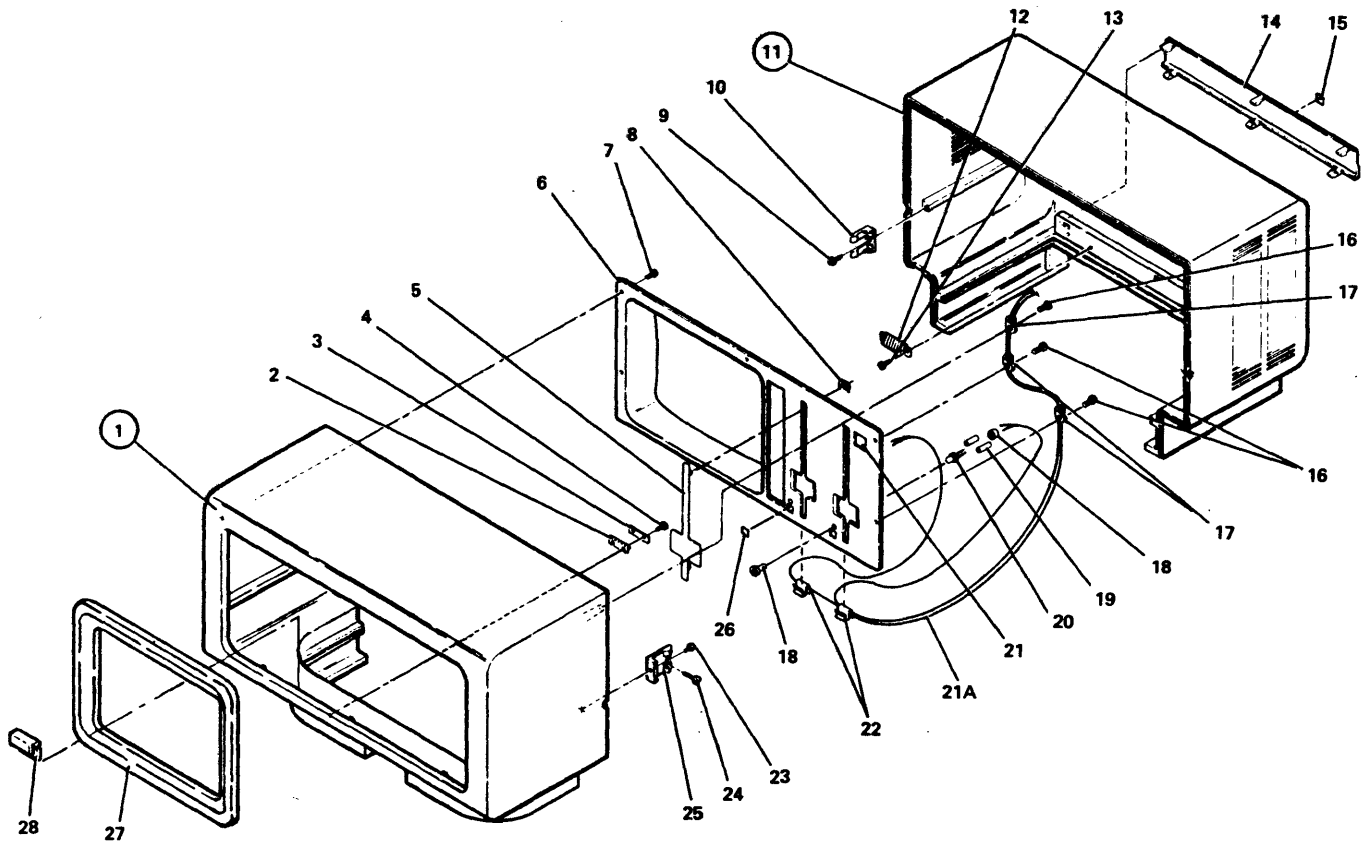


FIGURE- INDEX NUMBER	PART NUMBER		UNITS PER ASM.	DESCRIPTION	
	NO	NP			
1			REP	COVERS	
- 1	7364263		1	. FRONT COVER ASH, ORDER BY MES	
- 2	2455586		2	. . SPRING, FINGER STOCK	
- 3	7364200		2	. . PLATE, ENC	
- 4	1608267		4	. . SCREW, THD FORM 4-20 X 1/4 LG	ATT PT
- 5	7364371		2	. PLUG	
- 6	7364466		1	. BEZEL	
- 7	1608277		3	. SCREW, THD FORM-HEX WSHR HD 6-19 X 3/8 LG	ATT PT
- 8	7364582		6	. CLIP	
- 9	5552876		2	. SCREW, THD FORM-HEX WSHR HD 6-19 X 9/16 L	ATT PT
- 10	7364482		2	. STRIKE	
- 11	7364260		1	. REAR COVER, ORDER BY MES	
- 12	5642709		2	. . SPRING	
- 13	1608267		4	. . SCREW, THD FORM 4-20 X 1/4 LG	ATT PT
- 14	5642729		1	. PANEL	
- 15	4177741		1	. LABEL GROUP, GREEN AND GREEN TAGS	
- 16	1608427		3	. SCREW, THD FORM-HEX WSHR HD 6-19 X 1/2 LG	ATT PT
- 17	2122639		3	. CLAMP, USED WITH ONE DRIVE	
- 17	357433		3	. CLAMP, USED WITH TWO DRIVES	
- 18	2744256		AR	. LED MOUNTING KIT	
- 19	5700530		AR	. SHRINK TUBING	
- 20	2397045		AR	. LED	
- 21	5642765		1	. LOGO, 5285	
- 21	5642767		1	. LOGO, 5281	
- 21A	4177700		1	. CABLE ASH, LED	
- 22	4177708		2	. CLIP	
- 23	5552876		2	. SCREW, THD FORM-HEX WSHR HD 6-19 X 9/16 L	ATT PT
- 24	7364202		2	. SCREW, COVER LATCH	ATT PT
- 25	7364481		2	. LATCH	
- 26	4177739		1	. LABEL GROUP, 5286-DISKETTE TYPE	
- 26	4177826		1	. LABEL GROUP, 5286	
- 27	5642675		1	. GLARE SHIELD	
- 28	5642677		1	. RETAINER	

FIGURE 1. COVERS.

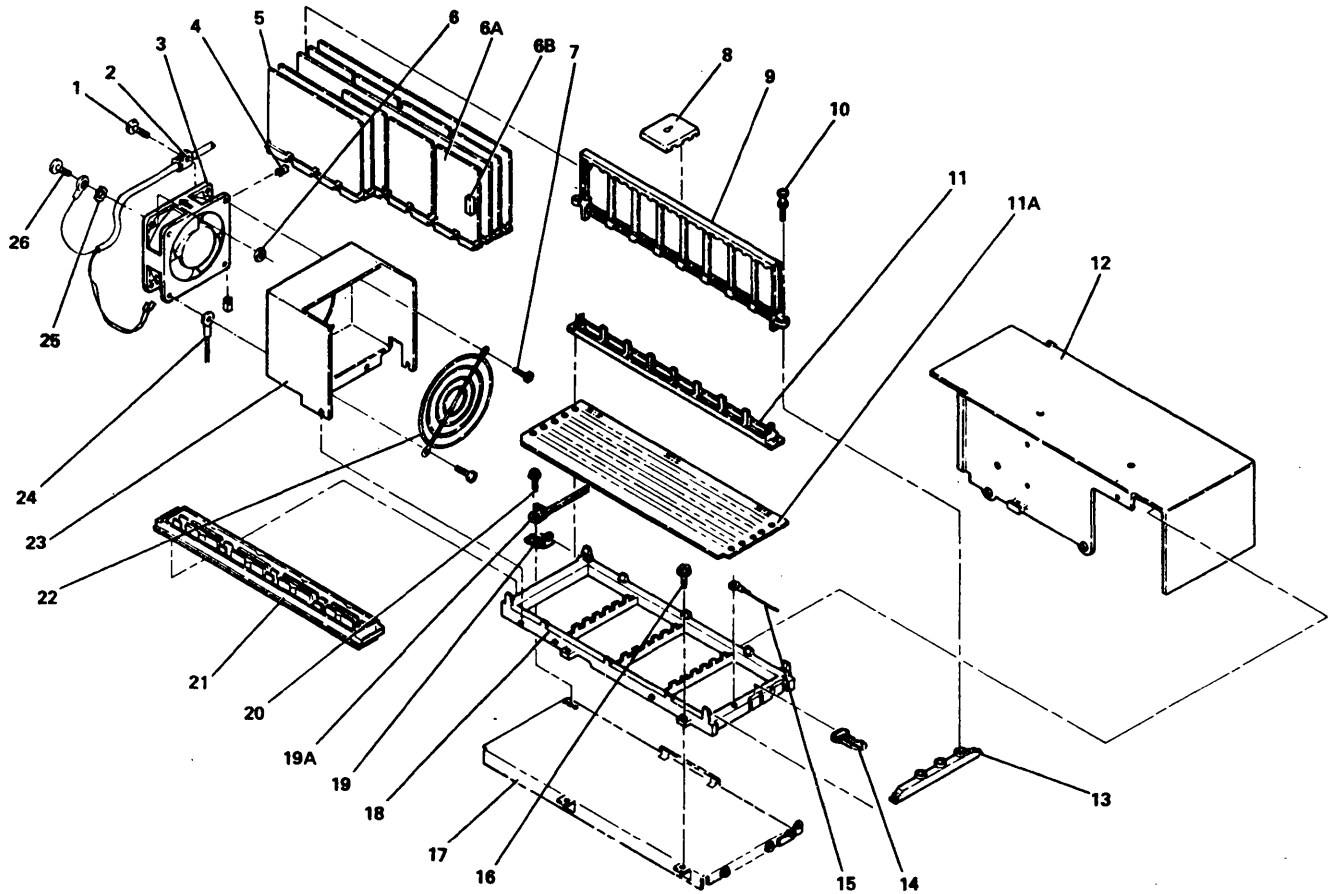


FIGURE- INDEX NUMBER	PART NUMBER		UNITS PER ASM.	DESCRIPTION			
	1	2		3	4		
2 -	NO NO.	NP	REF	5285 LOGIC ASM			
- 1	322065		1	. SCREW, MACH BIND HD 6-32 X 5/8LG			
- 2	356742		1	. CLAMP			
- 3	4176642		1	. FAN			
- 4	1618093		5	. CLIP			
- 5	816983		1	. DUMMY RCS PATCH CARD			
- 6	1622403		1	. NUT, HEX M4 X 7 FL WSHR			
- 6A	NO NO.	NP	1	. LOGIC CARD, SEE P/N ON CARD			
- 6B	8331528		1	. COVER, ROCKER SWITCH			
- 7	322065		4	. SCREW, MACH BIND HD 6-32 X 5/8LG			
- 8	5642825		2	. CARD PUSHER			
- 9	7364150		2	. CARD HOLDER, 8 WIDE			
- 10	7364141		4	. CARD JACK			
- 11	7364143		5	. CARD GUIDE			
- 11A	NO NO.	NP	1	. BOARD, SEE P/N ON BOARD			
- 12	7364656		1	. COVER ASM			
- 13	7364290		2	. GUIDE, HCLD DOWN			
- 14	524519		3	. CABLE TIE			
- 15	1618184		1	. STRAIN RELIEF			
- 16	4177572		2	. SCREW, HEX HD M4 X 14MM LG			
- 17	4176783		1	. COVER, POWER SUPPLY			
- 18	7364276		1	. STIFFENER FRAME			
- 19	5642708		1	. RETAINER			
- 19A	532393		1	. CABLE TIE			
- 20	7362385		1	. SCREW, THD FORN-HEX WSHR HD M4 X 8MM LG			
- 21	7364569		1	. SUPPORT, PC BOARD			
- 22	2546641		1	. GUARD			
- 23	7364496		1	. HOUSING, FAN			
- 24	5642839		1	. STRAIN RELIEF			
- 25	56079		1	. WASHER, LOCK EXT T .204ID .410OD			
- 26	1621184		1	. SCREW, MACH-PAN HD M3.5 X 12MM LG			

FIGURE 2. 5285 LOGIC ASM.

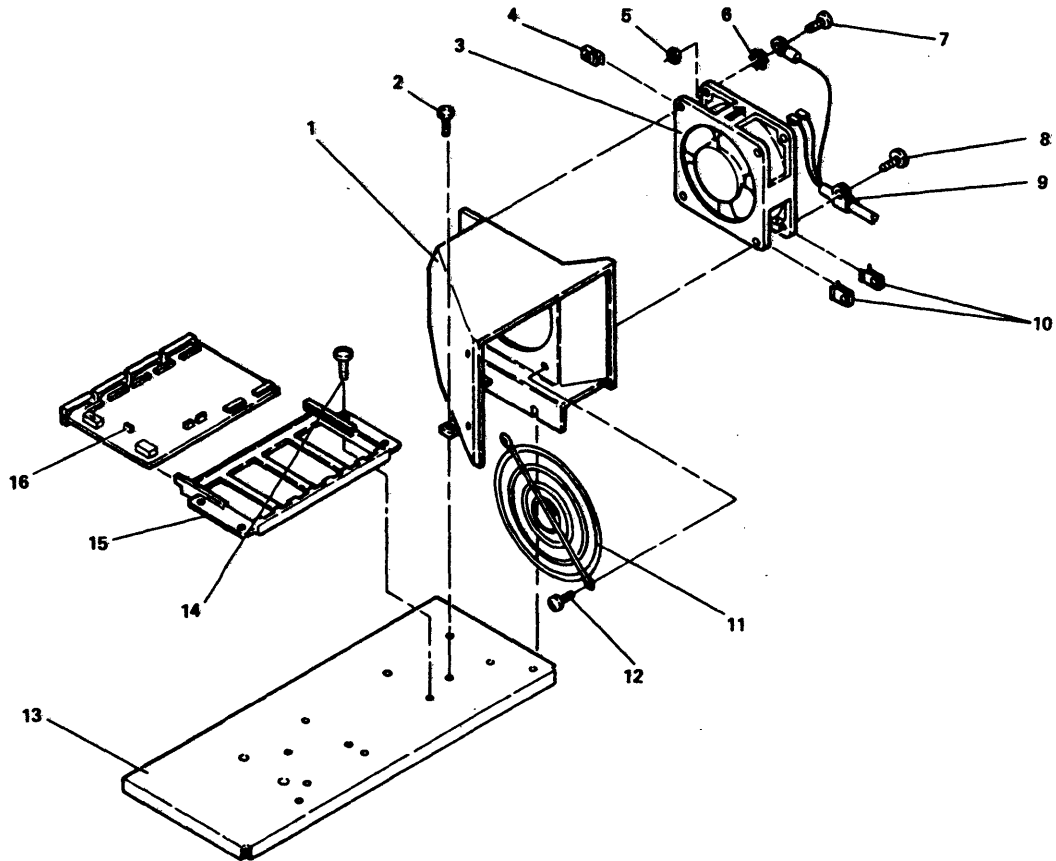


FIGURE- INDEX NUMBER	PART NUMBER	UNITS PER ASM.	DESCRIPTION			
			1	2	3	4
3 -	NO NO. NP	REF	5281 LOGIC ASM			
- 1	4177521	1	- BRACKET, FAN			
- 2	7362385	1	- SCREW, THD FORM-HEX WSHR HD M4 X 8MM LG ATT PT			
- 3	4176642	1	- FAN			
- 4	1618093	4	- CLIP			
- 5	1622402	1	- NUT, HEX M3.5 X 6 PL WSHR ATT PT			
- 6	56079	1	- WASHER, LOCK EXT T .204ID .410OD ATT PT			
- 7	1621184	1	- SCREW, MACH-PAN HD M3.5 X 12MM LG ATT PT			
- 8	322065	1	- SCREW, MACH EIND HD 6-32 X 5/8LG ATT PT			
- 9	356742	1	- CLAMP			
- 10	1618093	2	- CLIP			
- 11	2546641	1	- GUARD			
- 12	322065	4	- SCREW, MACH EIND HD 6-32 X 5/8LG ATT PT			
- 13	2777225	1	- COVER			
- 14	1621194	4	- SCREW, MACH-PAN HD M4 X 20MM LG ATT PT			
- 15	5642782	1	- CARD HOLDER			
- 16	NO NO.	1	- CARD, SEE P/N ON CARD			

FIGURE 3. 5281 LOGIC ASM.

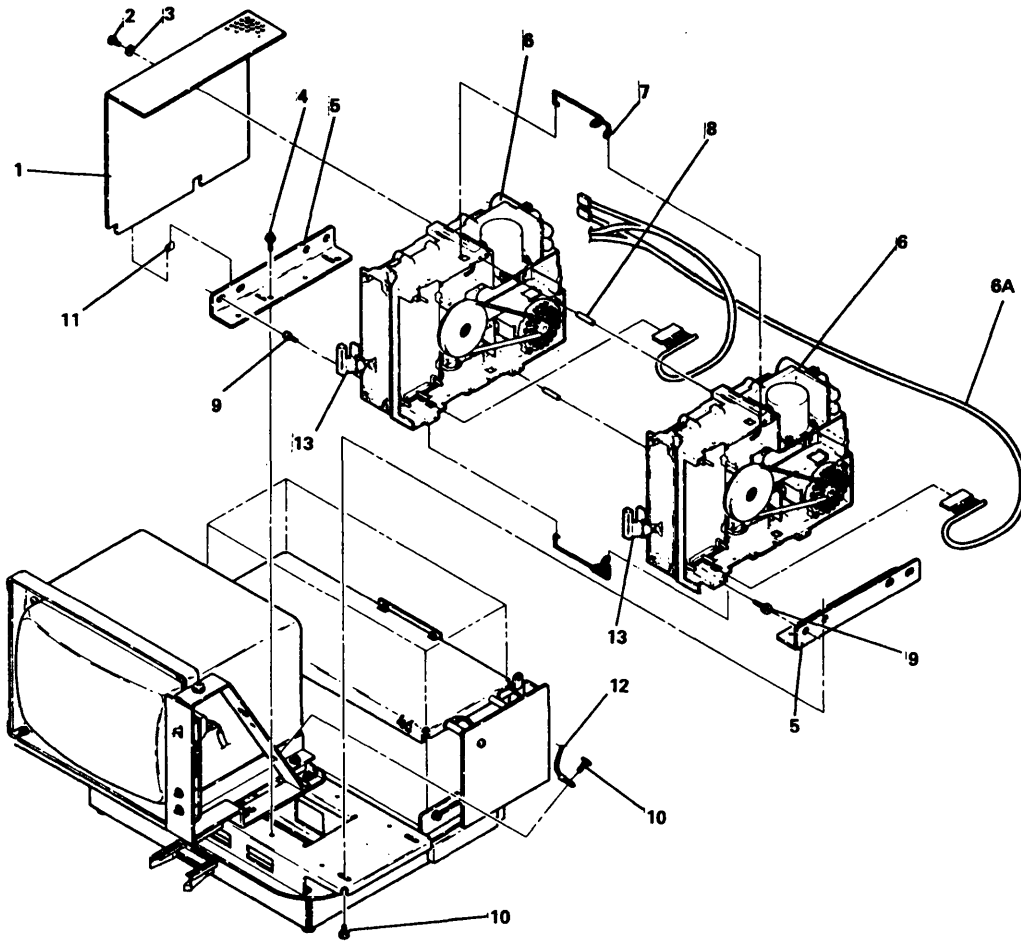
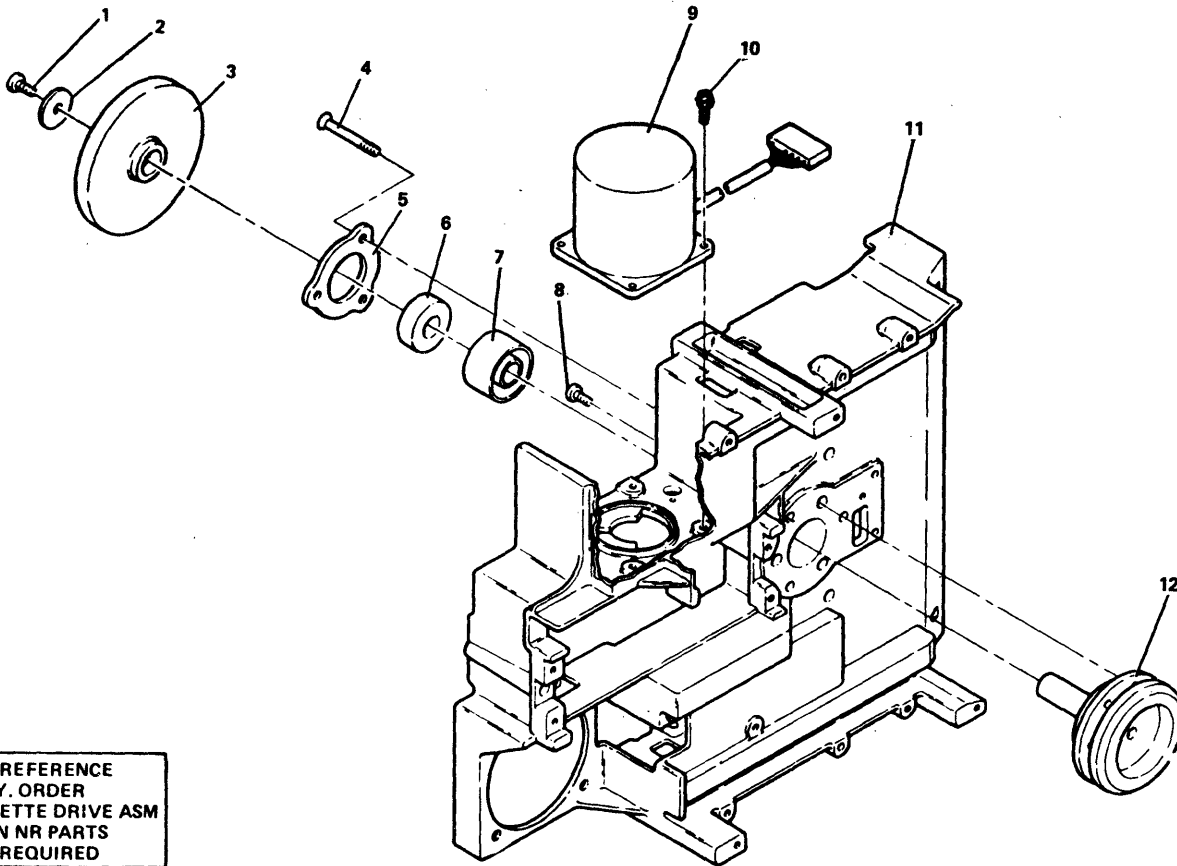


FIGURE- INDEX NUMBER	PART NUMBER		UNITS PER ASM.	DESCRIPTION
	NO NO.	NP		
4 -				DISKETTE DRIVES
- 1	1618213		1	. SHIELD
- 2	1621192		1	. SCREW, HACH-PAN HD H4 X 8MM LG
- 3	237032		1	. WASHER, FL 7/32 ID X 3/4 OD X 0.062 THK
- 4	7362385		4	. SCREW, THD FORM-HEX WSHR HD H4 X 8MM LG
- 5	7364281		2	. BRACKET, DRIVE LEFT
- 6	4240504		1	. DISKETTE DRIVE, 31SD-100-110V 50 HZ
- 6	4240512		1	. DISKETTE DRIVE, 51TD-100-110V 50 HZ
- 6	4240505		1	. DISKETTE DRIVE, 31SD-200-240V 50 HZ
- 6	4240513		1	. DISKETTE DRIVE, 51TD-200-240V 50 HZ
- 6	4240508		1	. DISKETTE DRIVE, 31SD-100-127V 60 HZ
- 6	4240516		1	. DISKETTE DRIVE, 51TD-100-127V 60 HZ
- 6	4240509		1	. DISKETTE DRIVE, 31SD-200-240V 60 HZ
- 6	4240517		1	. DISKETTE DRIVE, 51TD-200-240V 60 HZ
- 6A	7364219		1	. CABLE ASH, LOGIC TO DISKETTE LOCAL
- 7	4240486		3	. CLIP
- 8	4240485		2	. PIN, DOWEL
- 9	7364103		4	. SCREW, HCOUNTING
- 10	7362385		3	. SCREW, THD FORM-HEX WSHR HD H4 X 8MM LG
- 11	1618214		2	. CLIP
- 12	7364160		1	. CABLE ASH, AC-DISP/DISK/SW/PS/FAN 5285
- 12	5642698		1	. CABLE ASH, AC-DISP/DISK/SW/PS/RELAY 5281
- 13	4177829		2	. KNOB, OPERATOR HANDLE

FIGURE 4. DISKETTE DRIVES.



FOR REFERENCE
ONLY. ORDER
DISKETTE DRIVE ASM
WHEN NR PARTS
ARE REQUIRED

FIGURE- INDEX NUMBER	PART NUMBER		UNITS PER ASM.	DESCRIPTION					
	NO	NO.		NP	REF	1	2	3	4
5	-				SPINDLE AND PULLEY ASM				
-	1	5562071	NR	1	-	SPINDLE AND PULLEY ASM			ATT PT
-	2	49374	NR	1	-	WASHER, FLAT NO. 10 X .53 OD X .08 THK			ATT PT
-	3	4240557	NR	1	-	PULLEY			
-	4	1621327	NR	3	-	SCREW, MACH-FLAT HD M5 X 40MM LG			ATT PT
-	5	4240556	NR	1	-	BEARING RETAINER			
-	6	1028618	NR	1	-	BEARING			
-	7	4240555	NR	1	-	SPACER SET			
-	8	1621190	NR	3	-	SCREW			ATT PT
-	9	4240593	NR	1	-	STEPPER MOTOR			
-	10	2462685	NR	4	-	SCREW, THD FORM M4 X 10MM LG			ATT PT
-	11	4240551	NP	1	-	CASTING			
-	12	4240552	NR	1	-	SPINDLE ASM			

FIGURE 5. SPINDLE AND PULLEY ASM.

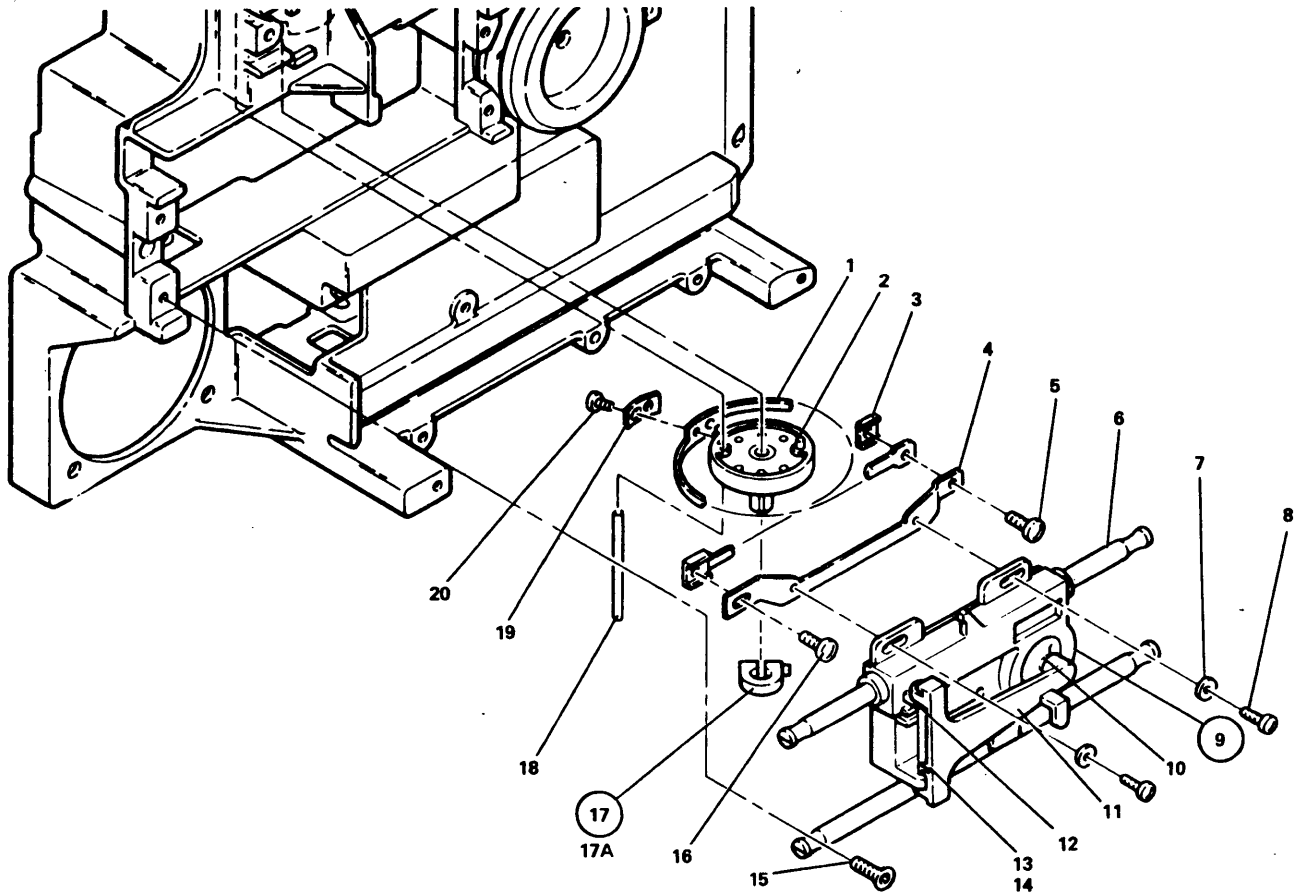


FIGURE- INDEX NUMBER	PART NUMBER		UNITS PER ASM.	DESCRIPTION	
	NO NO.	MP			
6 -				CARRIAGE AND PULLEY ASM	
- 1	4240596		1	- DRIVE FLANGE	
- 2	4240594		1	- PULLEY	
- 3	4240601		1	- CLAMP	
- 4	4240600		1	- MOUNTING BRACKET	
- 5	1621170		1	- SCREW, MACH-PAN HD M3 X 8MM LG	ATT PT
- 6	4240573		2	- GUIDE ROD	
- 7	1622302		2	- WASHER, FALT 3.2 ID X 7 OD X 0.5 THK	ATT PT
- 8	1621170		2	- SCREW, MACH-PAN HD M3 X 8MM LG	ATT PT
- 9	4240620		1	- HEAD CARRIAGE, 51TD	
- 9	4240615		1	- HEAD CARRIAGE, 31SD	
- 10	2200751		1	- . PAD, 31SD	
- 11	4240617		1	- . ARM	
- 12	1073418		1	- . RING, FETAINING 0.188 DIA GROOVE	
- 13	2743535		1	- . TORSION SPRING	
- 14	2743536		1	- . PIVOT PIN	
- 15	4240642		4	- SCREW, FLAT SOCKET HD-M4 X 12MM LG	ATT PT
- 16	1621170		1	- SCREW, MACH-PAN HD M3 X 8MM LG	ATT PT
- 17	2305493		1	- CLAMP ASM	
- 17A	186925		1	- . SCREW, MACH-6 FLUTE SOC HD 4-40 X 5/8 LG	ATT PT
- 18	5562019		1	- . PIN, TIMING-TOOL	
- 19	4240599		1	- CLAMP	
- 20	1621170		1	- SCREW, MACH-PAN HD M3 X 8MM LG	ATT PT

FIGURE 6. CARRIAGE AND PULLEY ASM.

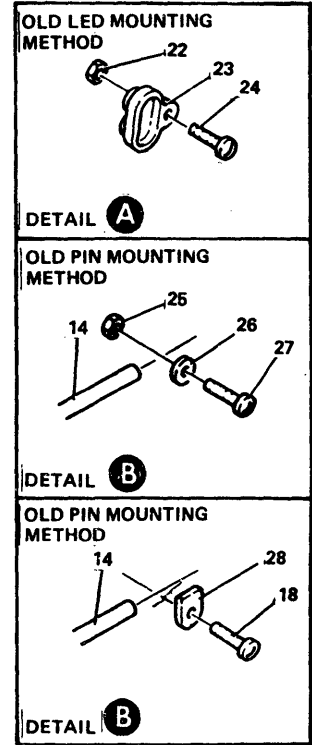
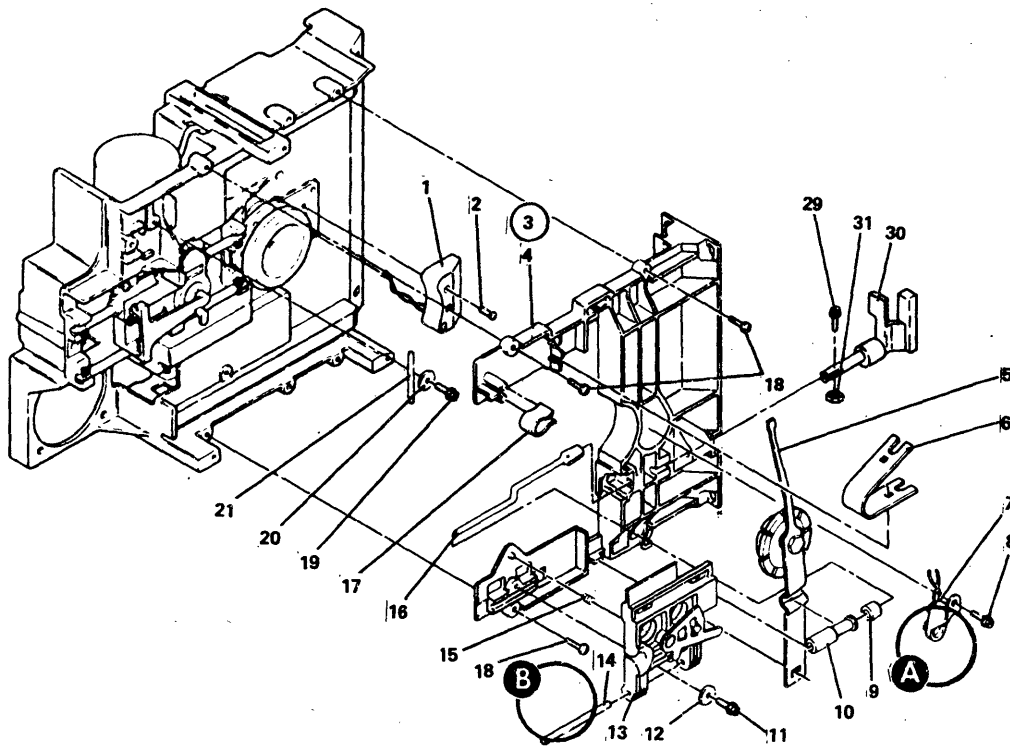


FIGURE- INDEX NUMBER	PART NUMBER	UNITS PER ASM.	DESCRIPTION				
			1	2	3	4	
7 -	NO NO.	NP	REF	DISKETTE GUIDE AND CLAMPING ASM			
- 1	4240574	1		. PTX ASM, 31SD			
- 1	4240576	1		. PTX ASM, 51TD			
- 2	2462686	1		. SCREW, THD FORM M4 X 16MM LG			ATT PT
- 3	4240683	1		. GUIDE ASM, 31SD			
- 3	4240684	1		. GUIDE ASM, 51TD			
- 4	4240663	1		. . . GUIDE			
- 5	4240589	1		. . . SPRING AND COLLET ASM			
- 6	4240631	1		. . . TENSION SPRING, TOOL			
- 7	4240662	1		. LED ASM, 31SD-NEW STYLE			
- 7	4240661	1		. LED ASM, 51TD-NEW STYLE			
- 8	1621672	1		. . . SCREW, THD FORM M4 X 12MM LG			ATT PT
- 9	4240644	1		. . . ROLL			
- 10	4240614	1		. . . ROLLER			
- 11	1621672	1		. . . SCREW, THD FORM M4 X 12MM LG			ATT PT
- 12	49374	1		. . . WASHER, FLAT NO. 10 X .53 OD X .08 THK			ATT PT
- 13	4240580	1		. . . BAIL ASM			
- 14	2462574	1		. . . PIN			
- 15	4240582	1		. . . SPRING, 31SD			
- 15	4240583	1		. . . SPRING, 51TD			
- 16	4240592	1		. . . LEVER			
- 17	4240632	1		. . . RETAINER, SPRING-TOOL			
- 18	2462686	3		. SCREW, THD FORM M4 X 16MM LG			ATT PT
- 19	2462685	1		. SCREW, THD FORM M4 X 10MM LG			ATT PT
- 20	35229	1		. WASHER, 11/64 ID X 7/16 OD			ATT PT
- 21	5562019	1		. PIN, TIMING-TOOL			
- 22	1622403	1		DIFFERENT LOCATION ON SOME MACHINES			
- 23	4240577	1		. NUT, HEX M4 X 7 FL WSHR			ATT PT
- 23	4240579	1		. LED ASM, 31SD-MOUNT WITH NUTS, OLD STYLE			
- 24	1621190	1		. LED ASM, 51TD-MOUNT WITH NUTS, OLD STYLE			
- 25	1622403	1		. SCREW			ATT PT
- 26	35229	1		USED WITH NUT			
- 27	1621192	1		. NUT, HEX M4 X 7 FL WSHR			ATT PT
- 28	4240659	1		. WASHER, 11/64 ID X 7/16 OD			ATT PT
- 29	1621182	1		. SCREW, HACH-PAN HD M4 X 8MM LG			ATT PT
- 30	4177829	1		USE WITH NUT			
- 31	1522402	1		. RETAINER			
				. SCREW, HACH-PAN HD M3.5 X 8MM LG			ATT PT
				. KNOB, OPERATOR HANDLE			
				. NUT, HEX M3.5 X 6 FL WSHR			ATT PT

FIGURE 7. DISKETTE GUIDE AND CLAMPING ASM.

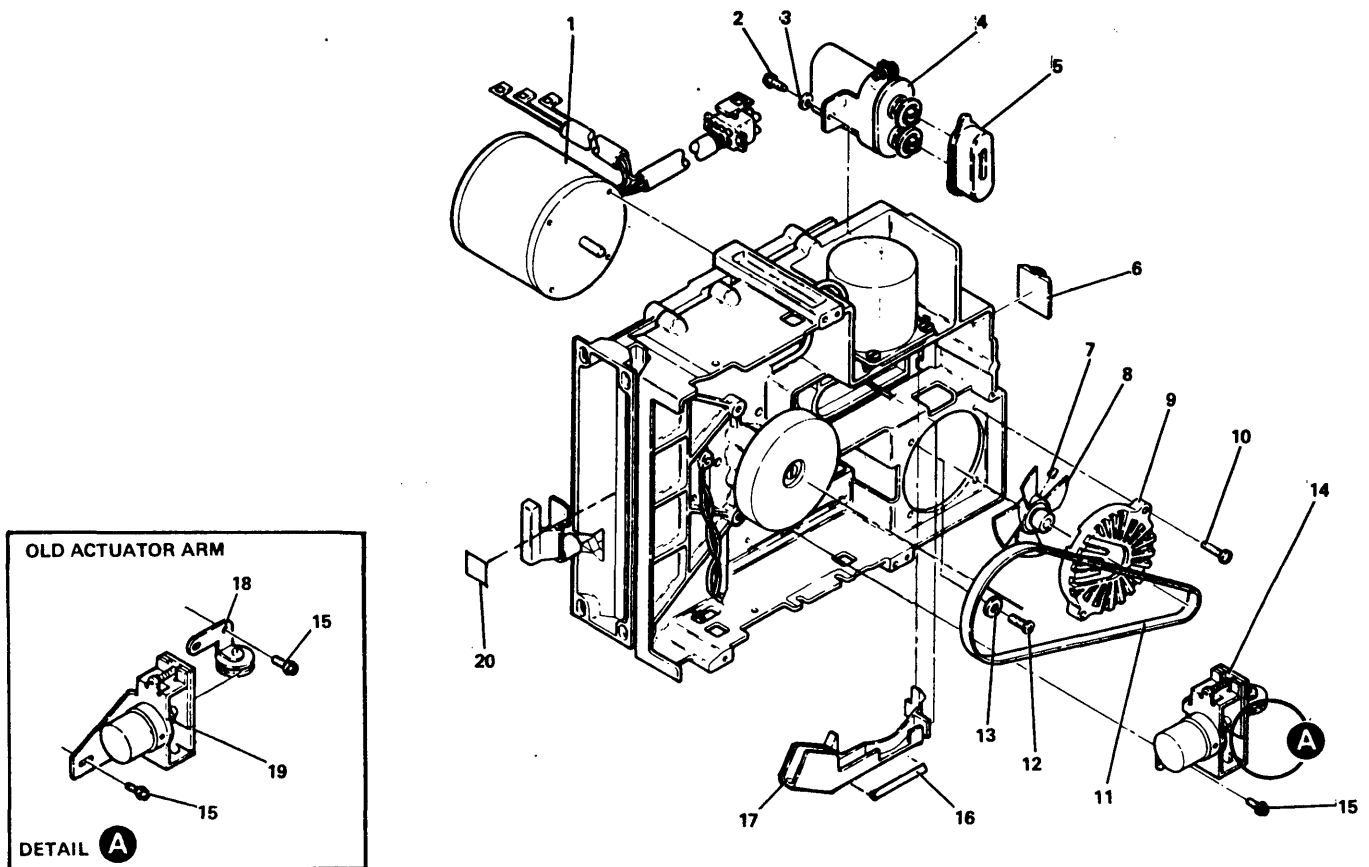


FIGURE- INDEX NUMBER	PART NUMBER	UNITS PER ASM.	DESCRIPTION			
			1	2	3	4
8 -	NO NO. NP	REF	MOTOR CAPACITOR AND ACTUATOR ASM			
- 1	4240677	1	. MOTOR ASM, 110V 50 60 HZ			
- 1	4240679	1	. MOTOR ASM, 220V 50/60 HZ			
- 1	4240653	1	. MOTOR ASM, 100V 50 60 HZ USED W/O FAN			
- 1	4240655	1	. MOTOR ASM, 230V 50 60 HZ USED W/O FAN			
- 2	2462685	1	. SCREW, THD FORM M4 X 10MM LG			
- 3	35229	1	. WASHER, 11/64 ID X 7/16 OD			
- 4	4240681	1	. CAPACITOR ASM, CLAMP AND SCREW			
- 5	836008	2	. BOOT			
- 6	2596291	1	. CLAMP			
- 7	1621719	1	. SETSCREW, SPLINE SOCKET M4 X 5MM LG			
- 8	4240673	1	. PULLEY 50 HZ			
- 8	4240675	1	. PULLEY 60 HZ			
- 8	4240588	1	. PULLEY, 60 HZ-W/O FAN			
- 8	4240587	1	. PULLEY, 50 HZ-W/O FAN			
- 9	4240671	1	. ENCLOSURE			
- 10	1621194	2	. SCREW, HACH-PAN HD M4 X 20MM LG			
- 11	4240605	1	. BELT, 60 HZ			
- 11	4240604	1	. BELT, 50 HZ			
- 12	1621192	2	. SCREW, HACH-PAN HD M4 X 8MM LG			
- 13	22478	2	. WASHER, FL- 0.170 ID 0.375 OD 0.032 THK			
- 13	35229	4	. WASHER, 11/64 ID X 7/16 OD			
- 14	4240667	1	. ACTUATOR ASM, 31SD-NEW STYLE			
- 14	4240666	1	. ACTUATOR ASM, 51TD-NEW STYLE			
- 15	2462685	2	. SCREW, THD FORM M4 X 10MM LG			
- 16	5562019	1	. PIN, TIMING-TOOL			
- 17	4240610	1	. GUIDE-HD LEAD			
- 18	4240570	1	. PULLEY ASM			
- 19	4240558	1	. ACTUATOR ASM, 31 SD-OLD STYLE			
- 19	4240567	1	. ACTUATOR ASM, 51TD-OLD STYLE			
- 20	4240685	1	. LABEL, DISKETTE ORIENTATION			

FIGURE 8. MOTOR, CAPACITOR AND ACTUATOR ASM.

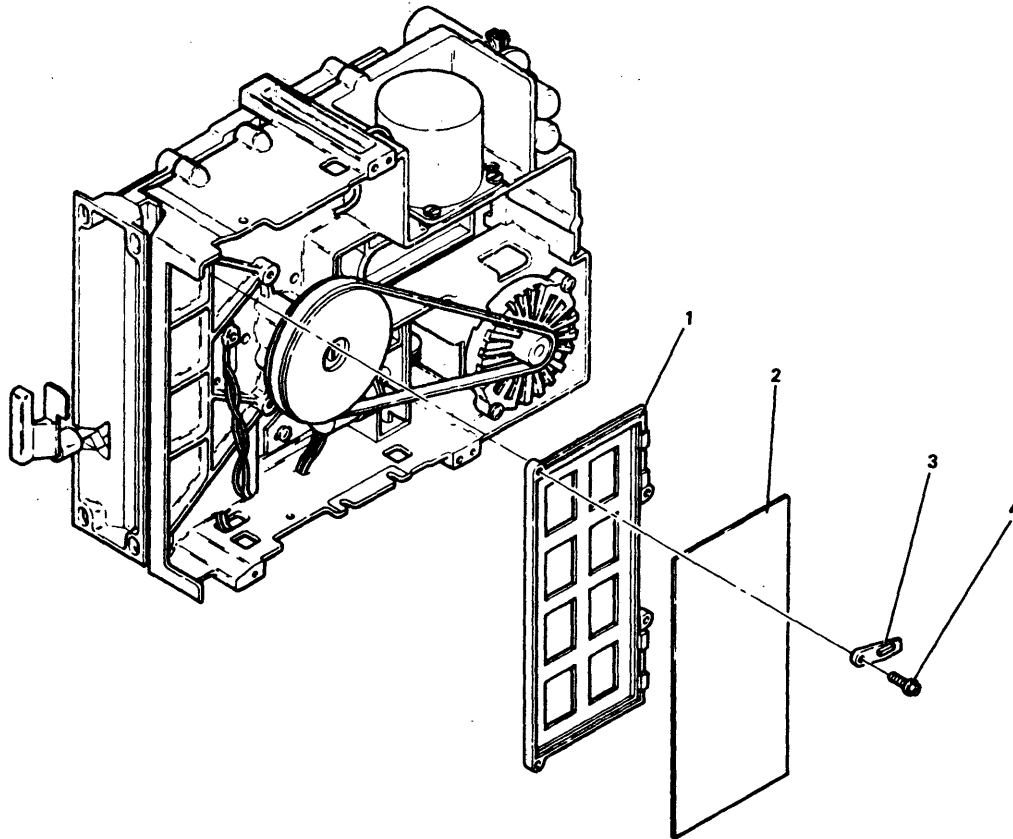


FIGURE- INDEX NUMBER	PART NUMBER		UNITS PER ASM.	DESCRIPTION			
	NO NO.	WP		REP	1	2	3
9 -							
- 1	4240638		1				
- 2	4240724		1				
- 2	4240726		1				
- 3	4240584		2				
- 4	2462686		4				
							ATTN PT

FIGURE 9. FINAL ASM.

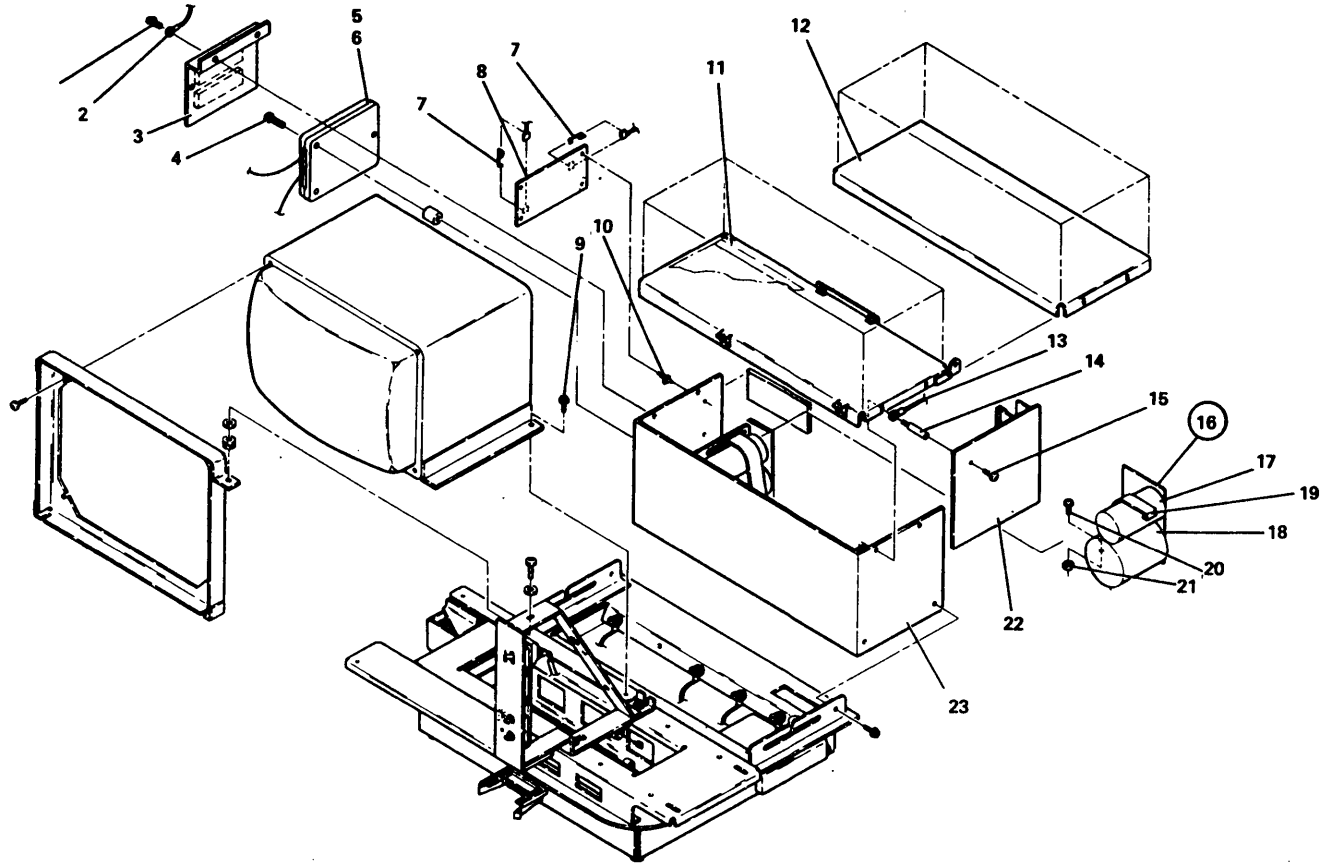


FIGURE- INDEX NUMBER	PART NUMBER	UNITS PER ASM.	DESCRIPTION				
			1	2	3	4	
10	NO NO.		CRT AND POWER SUPPLY ASM				REF -
- 1	1621190	3	. SCREW				ATT PT
- 2	5642839	1	. STRAIN RELIEF				
- 3	4177665	1	. SURGE PROTECTOR AND CABLE ASM-5285				
- 4	56787	3	. SCREW, MACH-FIL HD 4-40 X 1.5 LG				ATT PT
- 5	4177667	1	. LINE PLATE AND CABLE ASM-WTC				
- 6	1734234	1	. . LINE PLATE ASM, WTC				
- 7	2766961	2	. CABLE RETAINER, 5285				
- 8	4176596	1	. PC BOARD ASM, 5285-8.5V POWER SUPPLY				
- 9	7362385	4	. SCREW, THD POPM-HEX WSHR HD M4 X 8MM LG				ATT PT
- 10	5552896	4	. SUPPORT				
- 11	4176783	1	. COVER, 5285				
- 12	2777225	1	. COVER, 5281				
- 13	1618184	1	. STRAIN RELIEF				
- 14	4177503	1	. STANDOFF				
- 15	1621190	1	. SCREW				ATT PT
- 16	2777232	1	. PC BOARD ASM, 5281-FEATURE DISKETTE				
- 17	5214366	1	. . CAPACITOR, ELECTROLYTIC 24,000MFD 30VDC				
- 18	1655419	1	. . CAPACITOR				
- 19	5761795	1	. STRAP				
- 20	1621312	1	. SCREW, MACH-FLAT HD M4 X 20MM LG				ATT PT
- 21	1622403	1	. NUT, HEX M4 X 7 FL WSHR				ATT PT
- 22	1618211	1	. DEFLECTOR				
- 23	2777220	1	. POWER SUPPLY, 115V 60 HZ-5281				
- 23	4176591	1	. POWER SUPPLY, 115V 60 HZ-5285				
- 23	2777227	1	. POWER SUPPLY, 100-123.5V, 200-235V 50 HZ WTC-5281				
- 23	4176604	1	. POWER SUPPLY, 100-123.5V, 200-235V 50 HZ WTC-5285				
- 23	2777226	1	. POWER SUPPLY, 100-123.5V, 200-235V 60 HZ WTC-5231				
- 23	4176603	1	. POWER SUPPLY, 100-123.5V, 200-235V 60 HZ WTC-5285				

FIGURE 10. CRT AND POWER SUPPLY ASM. SHEET 1 OF 2. INDEX NOS. 1-22.

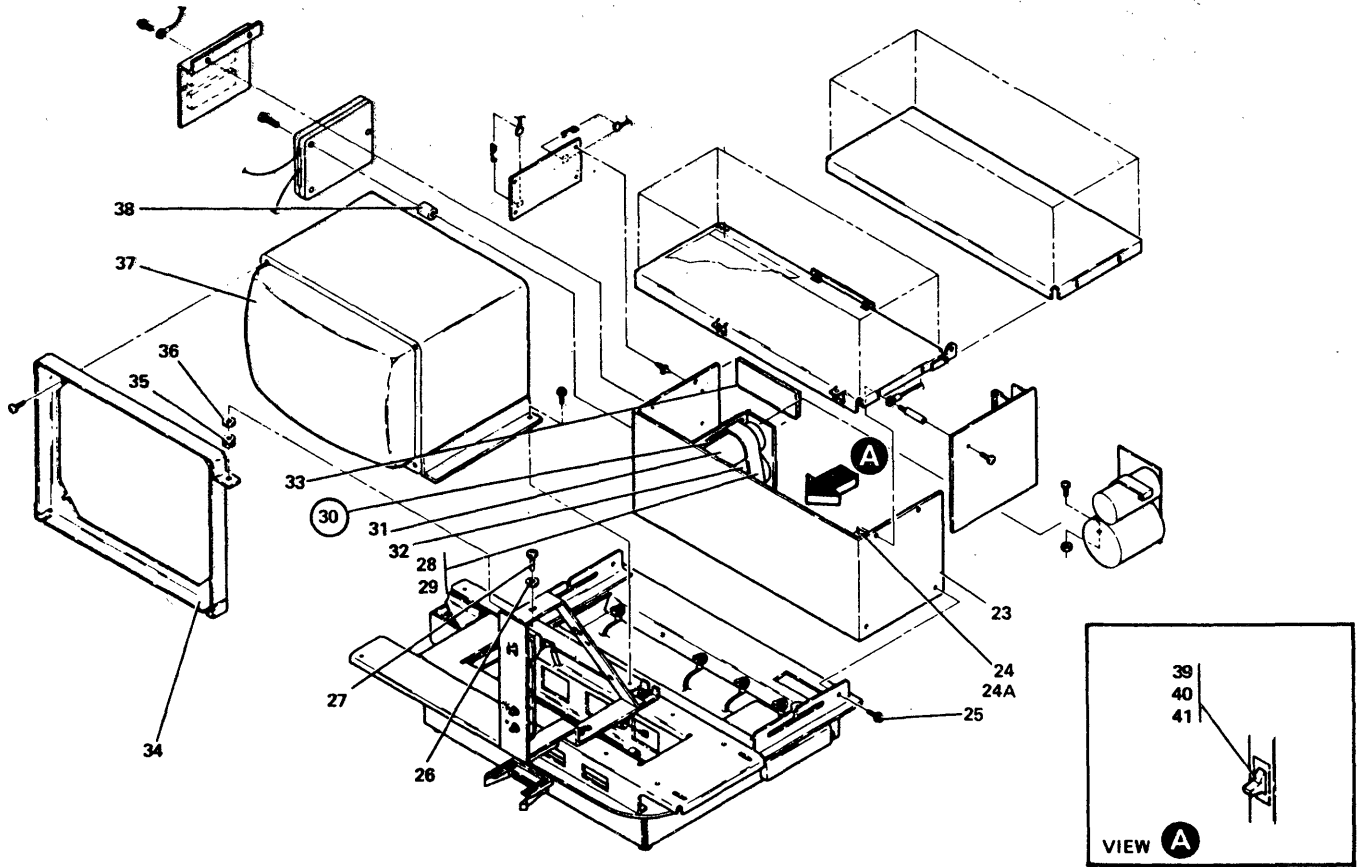


FIGURE- INDEX NUMBER	PART NUMBER	UNITS PER ASM.	DESCRIPTION			
			1	2	3	4
10 - 24	2777237	1	. RELAY,K1-5281			
- 24A	35739	2	. SCREW,MACH-BIND HD 6-32 X 7/16 LG			
- 25	7362553	4	. SCREW,THE FORM-HEX WSHR HD M4 X 8MM LG			
- 26	1940	1	. WASHER,FL-NO. 10 X 9/16 OD X 3/64 THK			
- 27	1621857	1	. SCREW,THE FORM-PAN HD M4 X 25MM LG			
- 28	5761783	1	. STRAP,CAPACITOR			
- 29	1621202	1	. SCREW,MACH-SLOT PAN HD M4 X 18MM LG			
- 30	2777230	1	. PC BOARD ASM,5281			
- 31	5214966	1	. . CAPACITOR,84000 MFD 10VDC			
- 32	1655419	1	. . CAPACITOR			
- 33	2777208	1	. PC BOARD,5286			
- 34	7364464	1	. BRACKET,CRT MOUNTING			
- 35	303528	1	. GROMMET			
- 36	1940	1	. WASHER,FL-NO. 10 X 9/16 OD X 3/64 THK			
- 37	1618007	1	. CRT ASM,DS/APE			
- 37	2420986	1	. CRT ASM,EHEA			
- 37	1618264	1	. CRT,WT			
- 38	2449349	3	. SPACER			
- 39	5214551	1	. CIRCUIT BREAKER,5285			
- 40	4176793	1	. JUMPER,5285			
- 41	4176794	1	. JUMPER,5285			

FIGURE 10. CRT AND POWER SUPPLY ASM. SHEET 2 OF 2. INDEX NOS. 24-41.

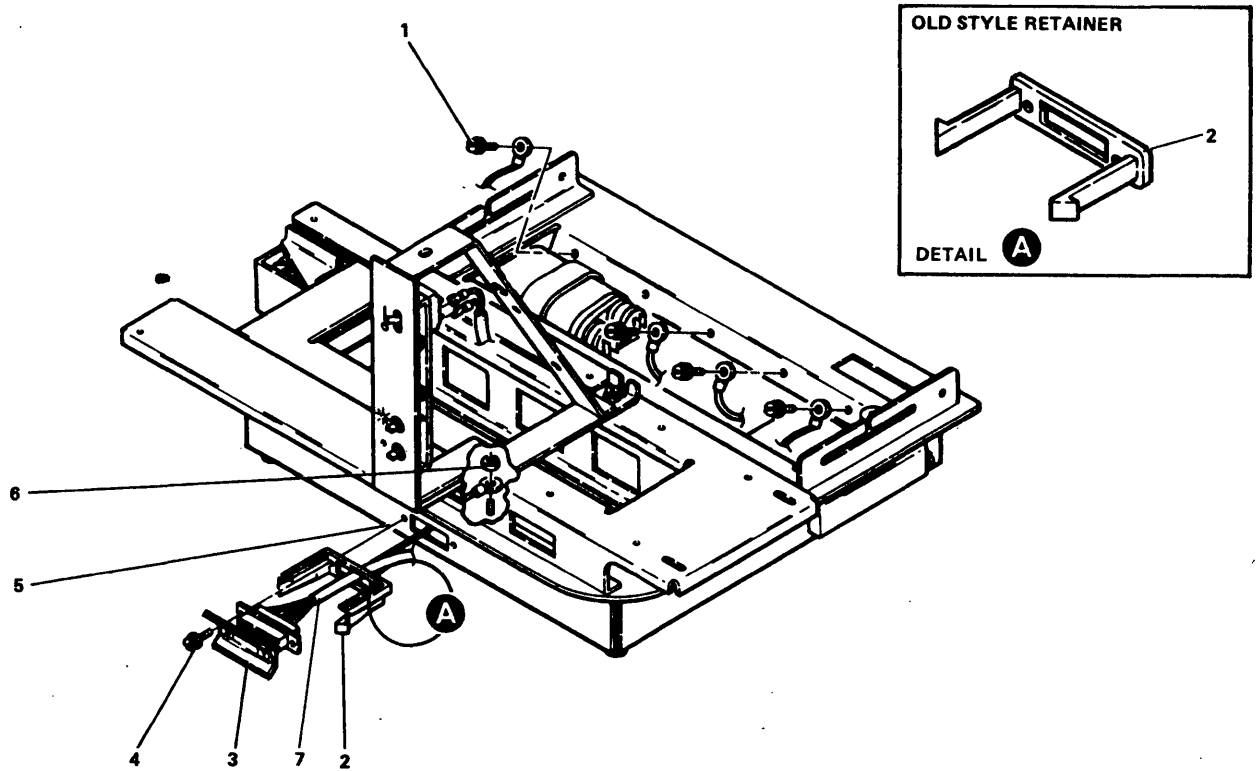


FIGURE- INDEX NUMBER	PART NUMBER		UNITS PER ASM.	DESCRIPTION			
	NO NO.	NP		1	2	3	4
11 -			REF	KEYBOARD CABLE AND GROUNDS			
- 1	7362385		4				. SCREW, THD FORM-HEX WSHR HD M4 X 8MM LG ATT PT
- 2	4177637		1				. RETAINER, WHITE-NEW STYLE
- 2	7362471		1				. RETAINER, OLD STYLE
- 3	5642731		AR				. CONNECTOR, GROUND-NEW STYLE
- 4	7364367		2				. SCREW, HEX HD M2.5 X 10MM LG
- 5	7364463		1				. BASE
- 6	1622403		1				. NUT, HEX M4 X 7 FL WSHR ATT PT
- 7	7364211		1				. CABLE ASM, LOGIC TO KB/CRT/PANEL

FIGURE 11. KEYBOARD CABLE AND GROUNDS.

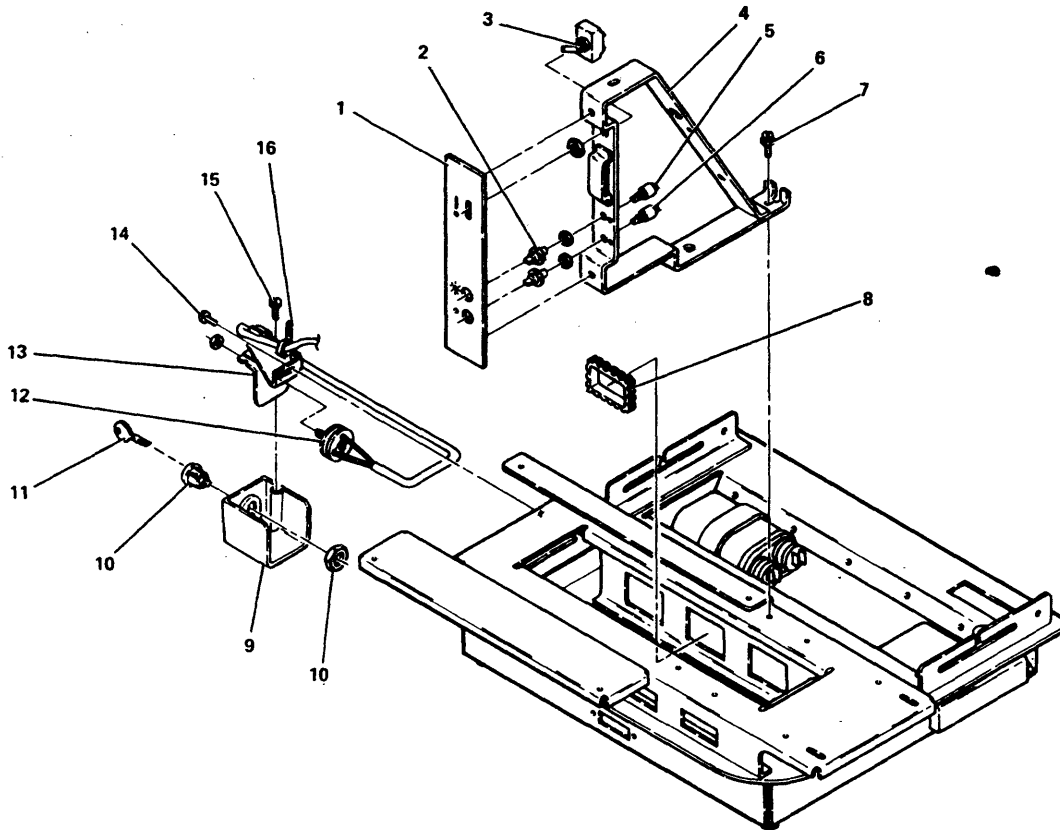


FIGURE- INDEX NUMBER	PART NUMBER		UNITS PER ASM.	REF	DESCRIPTION
	NO NO.	NP			
12 -					SWITCH PANEL AND KEYLOCK
- 1	7364699		1		. PANEL
- 2	7364698		2		. KNOB
- 3	7362253		1		. SWITCH
- 4	7364608		1		. BRACKET, SWITCH
- 5	4429607		1		. POT, BRIGHT
- 6	8272288		1		. POT, CONTRAST
- 7	7362385		2		. SCREW, THD FORM-HEX WSHR HD M4 X 8MM LG ATT PT
- 8	730432		1		. GROMMET
- 9	7364639		1		. COVER
- 10	2461749		1		. LOCK ASM
- 11	2461752		1		. . KEY, LOCAL-ORDER BY MES
- 11	2461753		1		. . KEY, COMMUNICATE-ORDER BY MES
- 12	5642715		1		. SWITCH AND CABLE ASM
- 13	7364475		1		. BRACKET, SWITCH
- 14	1621846		2		. SCREW, THD FORM-PAN HD M3.5 X 10MM LG ATT PT
- 15	1611347		2		SCREW, THD FORM 6-19 X 5/16 LG, ATT PT
- 16	524519		1		. CABLE TIE

FIGURE 12. SWITCH PANEL AND KEYLOCK.

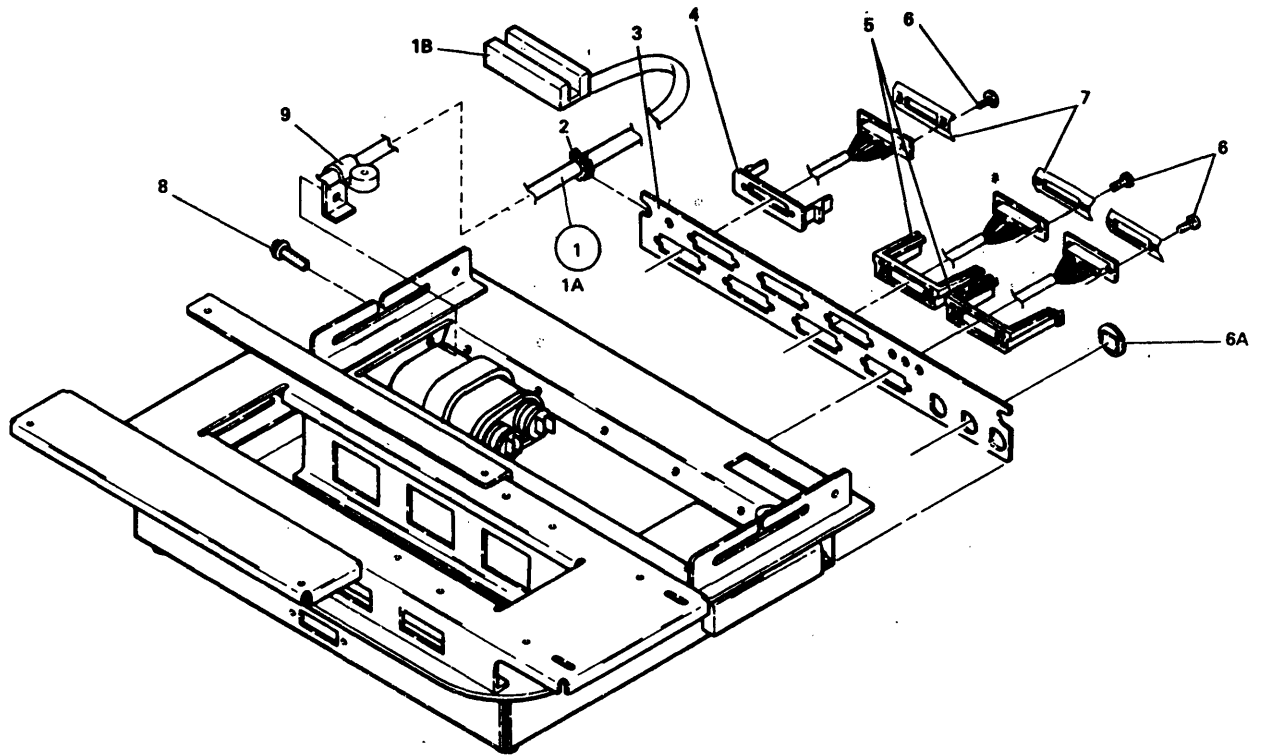


FIGURE- INDEX NUMBER	PART NUMBER	UNITS PER ASM.	DESCRIPTION			
			1	2	3	4
13 -	NO NO. MP	REF	REAR PANEL			
- 1	7364390	2	. HS READER WITH CABLE			
- 1A	7364392	1	. . CABLE			
- 1B	2252881	1	. . READER			
- 2	730432	2	. GROMMET			
- 3	5642717	2	. STRIP PLUG			
- 4	7364586	2	. RETAINER			
- 5	1615218	AR	. RETAINER, DISKETTE OR WORK STATION			
- 6	7364367	AR	. SCREW, HEX HD M2.5 X 10MM LG			
- 6A	4177567	1	. . PLUG			
- 7	5642731	AR	. CONNECTOR, GROUND			
- 8	7364632	1	. SCREW, TYP FORM 6-19 X 22 LG			
- 9	7364602	1	. CLAMP, CABLE			
						ATT PT
						ATT PT

FIGURE 13. REAR PANEL.

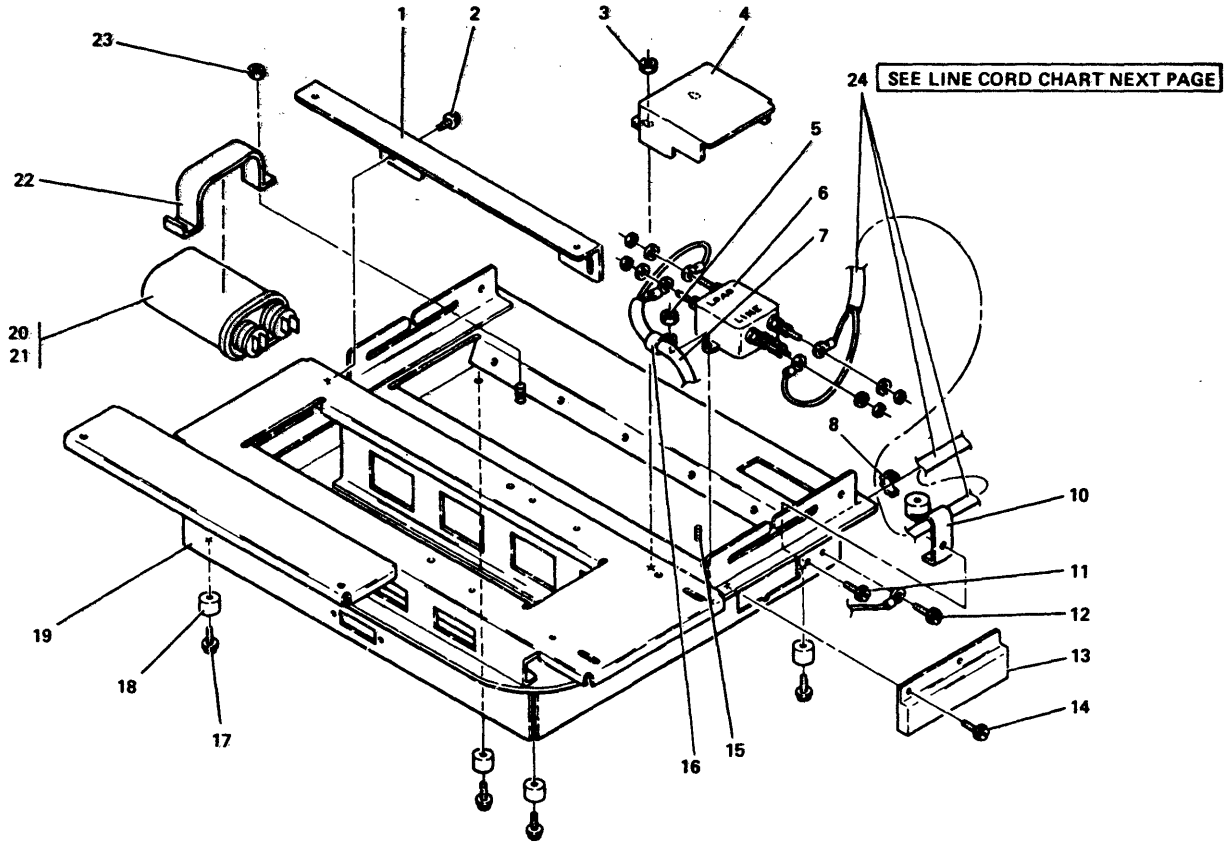


FIGURE- INDEX NUMBER	PART NUMBER	UNITS PER ASM.	DESCRIPTION				
			1	2	3	4	
14 -	NO NO.	NP	REF	LINE FILTER, CAPACITOR AND BASE			
- 1	7364465		1	. BRACKET, TIE DOWN			
- 2	7362385		2	. SCREW, THD FORM-HEX WSHR HD M4 X 8MM LG			ATT PT
- 3	1622403		2	. NUT, HEX M4 X 7 FL WSHR			ATT PT
- 4	7364282		1	. COVER, FILTER			
- 5	1622403		2	. NUT, HEX M4 X 7 FL WSHR			ATT PT
- 6	7362406		1	. LINE FILTER			
- 7	7364215		1	. CABLE ASM, AC DIST-LINE FILTER TO SWITCH			
- 8	730432		1	. GROMMET			
- 9	NO NO.			SEE LINE CORD CHART, NEXT PAGE			
- 10	7364602		1	. CLAMP, CABLE			
- 11	7364632		1	. SCREW, THE FORM 6-19 X 22 LG			ATT PT
- 12	7362385		1	. SCREW, THD FORM-HEX WSHR HD M4 X 8MM LG			ATT PT
- 13	7364467		1	. COVER			
- 14	7362385		2	. SCREW, THD FORM-HEX WSHR HD M4 X 8MM LG			ATT PT
- 15	7364463		1	. STUDS ON BASE			
- 16	356742		1	. CLAMP			
- 17	7362508		4	. SCREW, THE FORM-HEX WSHR HD M4 X 16MM LG			ATT PT
- 18	7362021		4	. PAD			
- 19	7364463	NR	1	. BASE			
- 20	5252840		1	. CAPACITOR			
- 21	526378		2	. COVER			
- 22	5642725		1	. STRAP			
- 23	1622403		1	. NUT, HEX M4 X 7 FL WSHR			ATT PT

FIGURE 14. LINE FILTER, CAPACITOR AND BASE.

* NOTE 1.8 Meter = 6.0 Feet. 2.5 Meter = 8.0 Feet.

Line Cord Chart

Country	Length	P/N
115V-60HZ US/Chicago	Non-Lock 1.8 Meter	7364532
	Lock	7364533
115V-60HZ US/Canada, Bahamas, Barbados, Bermuda, Bolivia, Costa Rica, Brazil, Dominican Republic, Ecuador, El Salvador, Guatemala, Honduras, Jamaica, Japan, Mexico, Netherlands, Antilles, Nicaragua, Panama, Peru, Philippines, Taiwan, Thailand	Non-Lock 2.5 Meter	7364534
115V-60HZ US/Canada	Lock 2.5 Meter	7364535
200-235V Japan	Non-Lock 2.5 Meter	7364536
Australia, Argentina, Brazil, Chile, Columbia, New Zealand, Paraguay, Uruguay, Venezuela	2.5 Meter	7364537
UK/Ireland	2.5 Meter	7364538
Den Mark	2.5 Meter	7364542
Italy	2.5 Meter	7364543
South Africa	2.5 Meter	7364544
Switzerland	2.5 Meter	7364539
Austria, Bulgaria, Finland, Germany, Iceiand, Indonesia, Iran, The Netherlands, Norway, Poland, Portugal, Romania, Spain, Sweden	2.5 Meter	7364540
Algeria, Belgium, France, Hungary, Malaysia, Yugoslavia	2.5 Meter	7364541
50HZ-WT W/O Plug	2.5 Meter	7364694
60HZ-WT W/O Plug	2.5 Meter	7364693

FIGURE 14. LINE FILTER,CAPACITOR AND BASE LINE CORD CHART. SHEET 2 OF 2 .

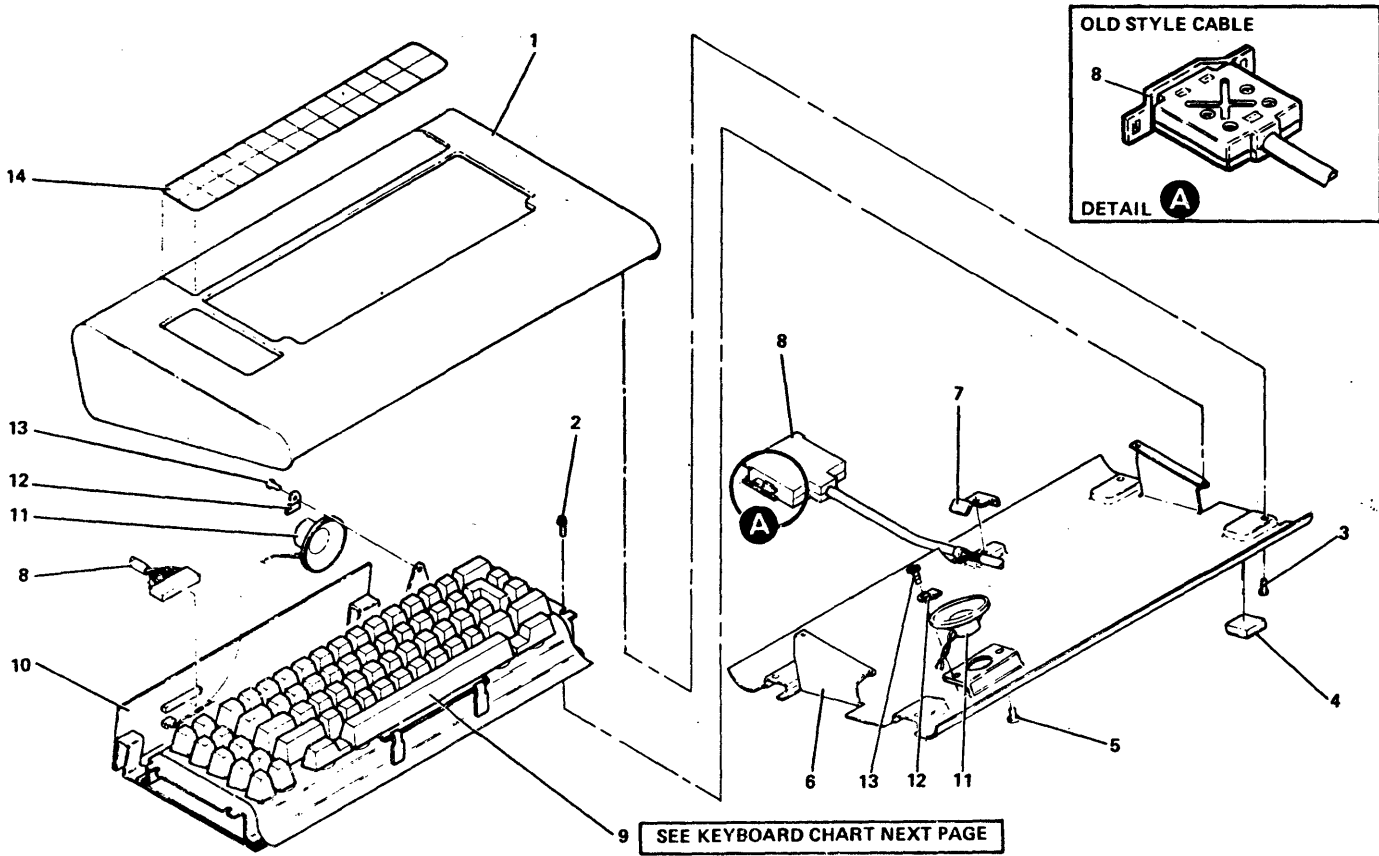


FIGURE- INDEX NUMBER	PART NUMBER		UNITS PER ASM.	DESCRIPTION
	NO NO.	NP		
15 -			REP	KEYBOARD AND COVER ASM
- 1	1618113		1	. COVER, TYPEWRITER
- 1	1618158		1	. COVER, DATA ENTRY
- 2	7362338		4	. SCREW, THD FORM-HEX WSHR HD M3.5 X 10MM L ATT PT
- 3	5552875		4	. SCREW, THD FORM-HEX WSHR HD 8-16 X 9/16 L ATT PT
- 4	5554146		4	. BUMPER
- 5	1621194		1	. SCREW, MACH-PAN HD M4 X 20MM LG ATT PT
- 6	6043420		1	. BASE, TYPEWRITER
- 6	6043419		1	. BASE, DATA ENTRY
- 7	7362506		1	. CLAMP, STRAIN RELIEF
- 8	7364563		1	. CABLE ASM, KEYBOARD TO DATA STATION LOCAL NEW STYLE, TO REPLACE OLD STYLE CABLE ORDER RETAINER PN 4177637 AND GROUND SPRING PN 5642731 WITH NEW CABLE
- 9	NO NO.			SEE KEYBOARD CHART
- 10	1761228		1	. LOGIC PC BOARD, DATA ENTRY
- 10	1761229		1	. LOGIC PC BOARD, TYPEWRITER
- 11	7363808		1	. SPEAKER ASM MAY BE IN EITHER LOCATION
- 12	7363921		1	. CLAMP
- 13	2181005		1	. SCREW, THD FORM-HEX WSHR HD 6-32 X 3/8 LG ATT PT
- 14	4177724		1	. LABEL, ENGLISH

FIGURE 15. KEYBOARD AND COVER ASM. SHEET 1 OF 2.

Keyboard Chart

Country	Keyboard Asm P/Ns		
	Typewriter	Data Entry	Data Entry With Proof
US	2658951	2658943	2658947
Austria/Germany		2658990	2658995
US/Canada (Ascii)	2658952		
Belgium	2658978	2658963	2658970
Brazil	2658953	2658962	2658957
Canada (English)	2658956		
Canada (French)	2658955	2658945	2658949
Denmark	2658979	2658991	2658996
Finland	2658980	2658992	2658997
France Azerty	2658982	2658965	2658972
France Qwerty	2658981	2658964	2658971
Germany	2658977		
International	2658983	2658966	2658973
Italy	2658984	2658967	2658974
Japan, English	2658960	2658946	2658950
Japan, Katakana	2658961	2658958	2658959
Norway	2658988	2658994	2658999
Portugal	2658985	2658993	2658998
Spain	2658986	2658968	2658975
Spanish Speaking	2658954	2658944	2658948
Sweden	2658989	2659000	
UK	2658987	2658969	2658976

FIGURE 15. KEYBOARD AND COVER ASM. SHEET 2 OF 2.

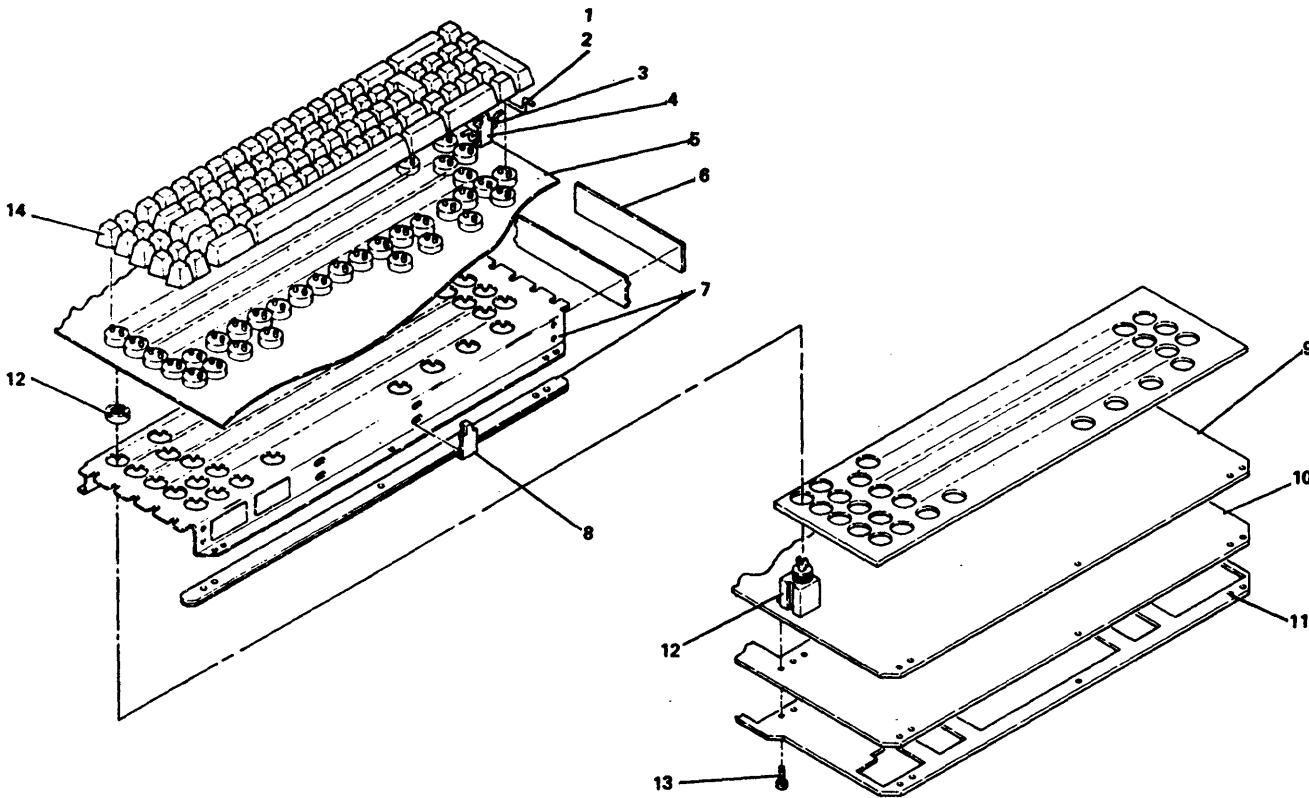
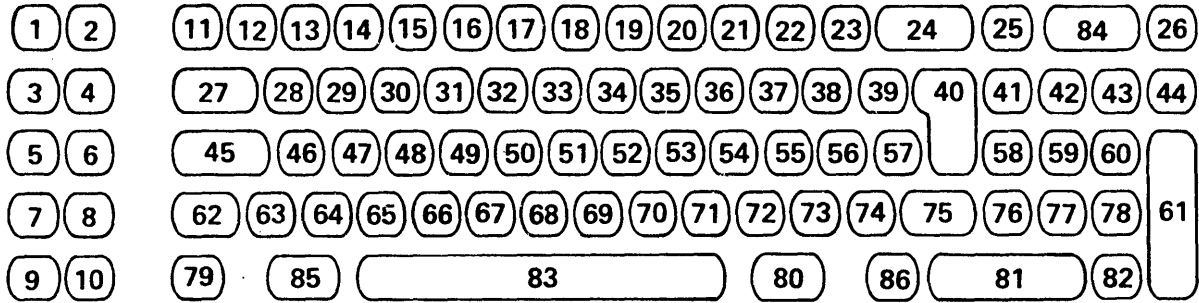


FIGURE- INDEX NUMBER	PART NUMBER		UNITS PER ASM.	REF	DESCRIPTION
	NO NO.	NP			
16 -					KEYBOARD ASM
- 1	1865344		2	2	. STABILIZER BAR, TYPEWRITER
- 2	1863870		2		. PIVOT, TYPEWRITER
- 3	1863871		1		. STABILIZER BAR, TYPEWRITER
- 4	1861398		2		. PIVOT, TYPEWRITER
- 5	1752826		1		. CONTAMINATION SHIELD, DATA ENTRY-66 KEY
- 5	5567603		1		. CONTAMINATION SHIELD, DATA ENTRY-67 KEY
- 5	1757224		1		. CONTAMINATION SHIELD, DATA ENTRY-69 KEY
- 5	1757228		1		. CONTAMINATION SHIELD-85 KEY
- 5	1752833		1		. CONTAMINATION SHIELD, TYPEWRITER-83 KEY
- 6	1864454		2		. PLATE, END
- 7	1752820	NR	1		. FRAME ASM, DATA ENTRY-66 KEY
- 7	5587600	NR	1		. FRAME ASM, DATA ENTRY-67 KEY
- 7	1757221	NR	1		. FRAME ASM, DATA ENTRY-69 KEY
- 7	1757225	NR	1		. FRAME ASM, TYPEWRITER-85 KEY
- 7	1752827	NR	1		. FRAME ASM, TYPEWRITER-83 KEY
- 8	5183362		2		. PIVOT, STABILIZER
- 9	1752347		1		. PAD PC BOARD, DATA ENTRY-69 KEY
- 9	1752341		1		. PAD PC BOARD, DATA ENTRY-67 KEY
- 9	1752355		1		. PAD PC BOARD, DATA ENTRY-69 KEY
- 9	1752332		1		. PAD PC BOARD, TYPEWRITER-85 KEY
- 9	1752328		1		. PAD PC BOARD, TYPEWRITER-83 KEY
- 10	1752874		1		. INSULATOR, DATA ENTRY
- 10	1752831		1		. INSULATOR, TYPEWRITER
- 11	8496595		1		. BASEPLATE, DATA ENTRY
- 11	8496596		1		. BASEPLATE TYPEWRITER
- 12	2657843		1		. MODULE ASM, SENSE
- 12	1748132		1		. MODULE ASM, NONSENSING FOR SPACE BAR ONLY
- 13	1786825		1		. SCREW
- 14	NO NO.				SEE KEYBUTTON CHART FIGURES 17, 18 AND 19

ATT PT

FIGURE 16. KEYBOARD ASM.



POS	PART NUMBER	POS	PART NUMBER
1		43	1854028
2		44	
3		45	1643640
4		46	
5		47	1853522
6		48	1853523
7	1853560	49	1853524
8	1853561	50	1853525
9	1853547	51	1853526
10	1853562	52	1853527
11		53	1853528
12		54	1853529
13		55	
14		56	
15		57	
16	1853502	58	
17		59	
18		60	1854035
19		61	
20		62	1643637
21		63	
22		64	
23		65	1853533
24	1643648	66	1853534
25	1755818	67	1853535
26		68	1853536
27	1643646	69	1853537
28		70	1853538
29		71	
30	1853512	72	
31	1853513	73	
32	1853514	74	1643644
33		75	1756171
34	1853516	76	
35	1853517	77	
36	1853518	78	1854040
37		79	
38		80	
39		81	
40		82	
41		83	1854442
42			

Part numbers shown are the same for all countries except Japan. Part numbers for the positions left blank are on the following pages.

FIGURE 17. TYPEWRITER KEYBUTTON CHART. SHEET 1 OF 5.

COUNTRY	POS	PART NUMBER	POS	PART NUMBER	
US/ Canada	1	5188333	39	1755820	
	2	1854017	40	8326346	
	3	1854037	41	8326340	
	4	1755819	42	8326341	
	5	1755824	44	1755823	
	6	1756165	46	1853521	
	11	1755816	55	1853530	
	12	1755817	56	1853531	
	13	1853499	57	1756166	
	14	1853500	58	8326342	
	15	1853501	59	8326343	
	17	1854018	61	1756167	
	18	1853504	63	1756170	
	19	1853505	64	1853532	
	20	1853506	71	1650484	
	21	1853507	72	1853644	
	22	1853508	73	1853541	
	23	1853509	76	8326344	
	26	1853607	77	8326345	
	28	1853510	79	1756172	
	29	1853511	80	1756173	
	33	1853515	81	8326347	
	37	1853519	82	1854727	
	38	1855430			
	Belgium	1	5188333	39	5587765
		2	1854017	40	8326346
		3	1854037	41	8326340
		4	1755319	42	8326341
		5	1755824	44	1755823
		6	1756165	46	1854683
		11	1853563	55	5587766
		12	1756248	56	5587767
		13	1854651	57	5587768
		14	1853500	58	8326342
		15	1853501	59	8326343
		17	5587762	61	1756167
		18	1854645	63	1756170
		19	1854646	64	1853532
20		1854647	71	1854697	
21		1854648	72	1854698	
22		1854649	73	1854699	
23		5587763	76	8326344	
26		1853607	77	8326345	
28		1854672	79	1756172	
29		1854670	80	1756173	
33		1853515	81	8326347	
37		1853519	82	1854045	
38		5587764			
Brazil		1	5188333	39	1854673
		2	1854013	40	8326346
		3	1854037	41	8326340
		4	1755819	42	8326341
		5	1755824	44	1755823
		6	1756165	46	1853521
		11	1853563	55	1854686
		12	1756248	56	1854667
		13	1854651	57	5587754
		14	5587753	58	8326342
		15	1853501	59	8326343
		17	1854644	61	1756167
		18	1854645	63	1756170
		19	1854646	64	1853532
	20	1854647	71	1854697	
	21	1854648	72	1854698	
	22	1854649	73	1854699	
	23	5587868	76	8326344	
	26	1853607	77	8326345	
	28	1853510	79	1756172	
	29	1853511	80	1756173	
	33	1853515	81	8326347	
	37	1853519	82		
	38	1854674			

COUNTRY	POS	PART NUMBER	POS	PART NUMBER	
Canada/ French	1	5188596	39	5587791	
	2	5587770	40	8627464	
	3	5587771	41	8627465	
	4	5587772	42	8627478	
	5	8627482	44	1752627	
	6	5587774	46	1853521	
	11	1853563	55	1853530	
	12	1756248	56	5587792	
	13	1853499	57	5587793	
	14	1853500	58	8627505	
	15	1853501	59	8627469	
	17	5587789	61	5587759	
	18	1853504	63	1756170	
	19	1853505	64	1853532	
	20	1853506	71	5188819	
	21	1853507	72	5587794	
	22	1853508	73	5587795	
	23	1853509	76	8627465	
	26	1757148	77	8627472	
	28	1853510	79	5587846	
	29	1853511	80	5587797	
	33	1853515	81	8627506	
	37	1853519	82	1854045	
	38	5587790			
	Denmark	1	5188333	39	5587758
		2	1854017	40	8326346
		3	1854037	41	8326340
		4	1755819	42	8326341
		5	1755824	44	1755823
		6	1756165	46	1853521
		11	1853563	55	1854688
		12	1756248	56	1854689
		13	1854651	57	5587867
		14	1853500	58	8326342
		15	5587866	59	8326343
		17	1854644	61	1756167
		18	5587760	63	1756170
		19	1854646	64	1853532
20		1854647	71	1854697	
21		1854648	72	1854698	
22		5587761	73	1854699	
23		5587757	76	8326344	
26		1853607	77	8326345	
28		1853510	79	1756172	
29		1853511	80	1756173	
33		1853515	81	8326347	
37		1853519	82	1854727	
38		1654675			
Finland		1	5188333	39	5587758
		2	1854017	40	8326346
		3	1854037	41	8326340
		4	1755819	42	8326341
		5	1755824	44	1755823
		6	1756165	46	1853521
		11	1853563	55	1854690
		12	1756248	56	1854691
		13	1854651	57	5587867
		14	5587755	58	8326342
		15	5587866	59	8326343
		17	1854644	61	1756167
		18	1854645	63	1756170
		19	1854646	64	1853532
	20	1854647	71	1854701	
	21	1854648	72	1854702	
	22	1854655	73	1854703	
	23	5994151	76	8326344	
	26	1853607	77	8326345	
	28	1853510	79	1756172	
	29	1853511	80	1756173	
	33	1853515	81	8326347	
	37	1853519	82	1854727	
	38	1854676			

FIGURE 17. TYPEWRITER KEYBUTTON CHART. SHEET 2 OF 5.

COUNTRY	POS	PART NUMBER	POS	PART NUMBER	
France (Azerty)	1	5188596	39	5587765	
	2	5192976	40	8627464	
	3	5587771	41	8627475	
	4	5587772	42	8627480	
	5	8627482	44	1752627	
	6	5587774	46	1854683	
	11	1853563	55	5587776	
	12	1756248	56	5587779	
	13	1854651	57	8627486	
	14	5587755	58	8627474	
	15	1853501	59	8627468	
	17	5587762	61	5587759	
	18	1854645	63	1756170	
	19	1854646	64	1854700	
	20	1854647	71	1854697	
	21	1854648	72	1854698	
	22	1854649	73	1854699	
	23	5587763	76	8627466	
	26	1757148	77	8627471	
	28	1854672	79	5587782	
	29	1854670	80	2658940	
	33	1853515	81	8627463	
	37	1853519	82	1854727	
	38	5587777			
	France (Qwerty)	1	5188596	39	5587765
		2	5192976	40	8627464
		3	5587771	41	8627475
		4	5587772	42	8627480
		5	8627482	44	1752627
		6	5587774	46	1853521
		11	1853563	55	5587778
		12	1756248	56	5587779
		13	1854651	57	8627486
		14	5587755	58	8627474
		15	1853501	59	8627468
		17	5587762	61	5587759
		18	1854645	63	1756170
		19	1854646	64	1853532
20		1854647	71	1854697	
21		1854648	72	1854698	
22		1854649	73	1854699	
23		5587763	76	8627466	
26		1757148	77	8627471	
28		1853510	79	5587782	
29		1853511	80	2658940	
33		1853515	81	8627463	
37		1853519	82	1854727	
38		5587777			
Internat'l		1	5188333	39	5587741
		2	1854017	40	8326346
		3	1854037	41	8326340
		4	1755819	42	8326341
		5	1755824	44	1755823
		6	1756165	46	1853521
		11	1853563	55	5587822
		12	1756248	56	5587823
		13	1854651	57	5587742
		14	1853500	58	8326342
		15	1853501	59	8326343
		17	1854644	61	1756167
		18	1854645	63	1756170
		19	1854646	64	1853532
	20	1854647	71	1854697	
	21	1854648	72	1854698	
	22	1854649	73	1854699	
	23	5587740	76	8326344	
	26	1853607	77	8326345	
	28	1853510	79	1756172	
	29	1853511	80	1756173	
	33	1853515	81	8326347	
	37	1853519	82	1854045	
	38	1854673			

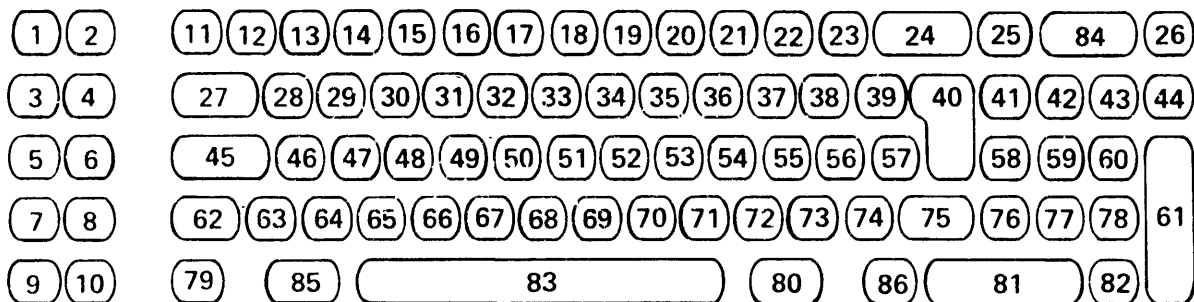
COUNTRY	POS	PART NUMBER	POS	PART NUMBER	
US/Canada (ASCII)	1	5188333	39	1755820	
	2	1854017	40	8326346	
	3	1854037	41	8326340	
	4	1755819	42	8326341	
	5	1755824	44	1755823	
	6	1756165	46	1853521	
	11	1755816	55	1853530	
	12	1756248	56	1853531	
	13	1853499	57	1756166	
	14	1853500	58	8326342	
	15	1853501	59	8326343	
	17	1854669	61	1756167	
	18	1853504	63	1756170	
	19	1853505	64	1853532	
	20	1853506	71	1650484	
	21	1853507	72	1853644	
	22	1853508	73	1853541	
	23	1853509	76	8326344	
	26	1853607	77	8326345	
	28	1853510	79	1756172	
	29	1853511	80	1756173	
	33	1853515	81	8326347	
	37	1853519	82	1854045	
	38	1853585			
	Germany	1	5188330	39	1854673
		2	1854601	40	8627231
		3	5587799	41	8627222
		4	5192889	42	8627223
		5	5587801	44	5192890
		6	5587802	46	1853521
		11	1853563	55	1854681
		12	1756248	56	1854682
		13	1854651	57	5587807
		14	5587755	58	8627225
		15	1853501	59	8627224
		17	1854644	61	5192888
		18	1854645	63	1756170
		19	1854646	64	1854696
20		1854647	71	1854697	
21		1854648	72	1854698	
22		5587805	73	1854699	
23		5587806	76	8627226	
26		1853607	77	8627227	
28		1853510	79	5587809	
29		1853511	80	8496699	
33		1854670	81	8627228	
37		1853519	82	1854727	
38		1854671			
Italy		1	5188331	39	1854673
		2	1854017	40	8627230
		3	1854037	41	8627476
		4	5587840	42	8627479
		5	8627280	44	5587824
		6	8542818	46	1853521
		11	1853563	55	5587786
		12	1756248	56	5587787
		13	1854651	57	5587788
		14	1854660	58	8627250
		15	1853501	59	8627467
		17	1854644	61	5587828
		18	1854645	63	1756170
		19	1854646	64	1853532
	20	1854647	71	1854697	
	21	1854648	72	1854698	
	22	1854649	73	1854699	
	23	5587784	76	8627220	
	26	1853607	77	8627470	
	28	1853510	79	5587843	
	29	1853511	80	5587844	
	33	1853515	81	8627462	
	37	1853519	82	1854727	
	38	5587785			

FIGURE 17. TYPEWRITER KEYBUTTON CHART. SHEET 3 OF 5.

COUNTRY	POS	PART NUMBER	POS	PART NUMBER	
Sweden	1	5188333	39	5587758	
	2	1854017	40	8326346	
	3	1854037	41	8326340	
	4	1755819	42	8326341	
	5	1755824	44	1755823	
	6	1756165	46	1853521	
	11	1853563	55	1854681	
	12	1756248	56	1854682	
	13	1854651	57	5587867	
	14	5587755	58	8326342	
	15	5587866	59	8326343	
	17	1854644	61	1756167	
	18	1854645	63	1756170	
	19	1854646	64	1853532	
	20	1854647	71	1854697	
	21	1854648	72	1854698	
	22	1854655	73	1854699	
	23	5994151	76	8326344	
	26	1853607	77	8326345	
	28	1853510	79	1756172	
	29	1853511	80	1756173	
	33	1853515	81	8326347	
	37	1853519	82	1854727	
	38	1854675			
	Norway	1	5188333	39	5587758
		2	1854017	40	8326346
		3	1854037	41	8326340
		4	1755819	42	8326341
		5	1755824	44	1755823
		6	1756165	46	1853521
		11	1853563	55	1854689
		12	1756248	56	1854688
		13	1854651	57	5587867
		14	1853500	58	8326342
		15	5587866	59	8326343
		17	1854644	61	1756167
		18	1854645	63	1756170
		19	1854646	64	1853532
20		1854647	71	1854697	
21		1854648	72	1854698	
22		1854655	73	1854699	
23		5587757	76	8326344	
26		1853607	77	8326345	
28		1853510	79	1756172	
29		1853511	80	1756173	
33		1853515	81	8326347	
37		1853519	82	1854727	
38		1854675			
Portugal		1	5188333	39	1854673
		2	1854017	40	8326346
		3	1854037	41	8326340
		4	1755819	42	8326341
		5	1755824	44	1755823
		6	1756165	46	1853521
		11	1853563	55	1854686
		12	1756248	56	1854687
		13	1854651	57	5587745
		14	5587743	58	8326342
		15	1853501	59	8326343
		17	1854644	61	1756167
		18	1854645	63	5587746
		19	1854646	64	1853532
	20	1854647	71	1854697	
	21	1854648	72	1854698	
	22	1854649	73	1854699	
	23	5587744	76	8326344	
	26	1853607	77	8326345	
	28	1853510	79	1756172	
	29	1853511	80	1756173	
	33	1853515	81	8326347	
	37	1853519	82	1854727	
	38	1854674			

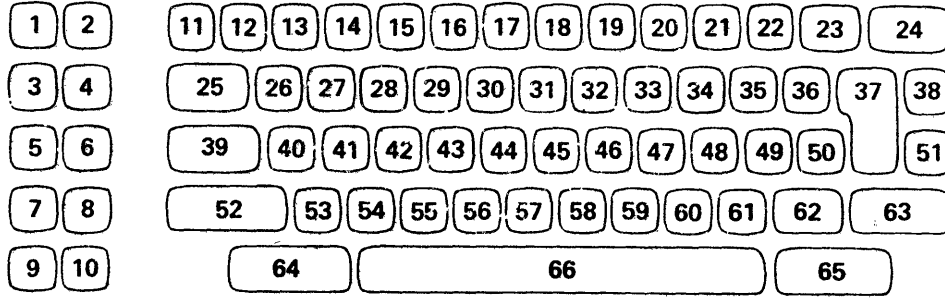
COUNTRY	POS	PART NUMBER	POS	PART NUMBER	
Spain	1	5188332	39	1854673	
	2	5587812	40	8627230	
	3	5587813	41	8627217	
	4	5587814	42	8326341	
	5	5587825	44	5587824	
	6	5587826	46	1853521	
	11	1853563	55	1854694	
	12	1755817	56	5587822	
	13	1854651	57	5587823	
	14	5587817	58	8627250	
	15	5587818	59	8627219	
	17	1854644	61	5587828	
	18	1854645	63	1756170	
	19	1854646	64	1853532	
	20	1854647	71	1854697	
	21	1854648	72	1854698	
	22	1854649	73	1854699	
	23	5587819	76	8627220	
	26	1853607	77	8627221	
	28	1853510	79	5587829	
	29	1853511	80	5587830	
	33	1853515	81	8627229	
	37	1853519	82	1854727	
	38	5587820			
	Spanish Speaking	1	5188332	39	1854673
		2	5587812	40	8627230
		3	5587813	41	8627217
		4	5587814	42	8627481
		5	5587825	44	5587824
		6	5587826	46	1853521
		11	1853563	55	1854694
		12	1755817	56	5587822
		13	1854651	57	5587823
		14	5587817	58	8627250
		15	1853501	59	8627219
		17	1854644	61	5587828
		18	1854645	63	1756170
		19	1854646	64	1853532
20		1854647	71	1854697	
21		1854648	72	1854698	
22		1854649	73	1854699	
23		5587819	76	8627220	
26		1853607	77	8627221	
28		1853510	79	5587829	
29		1853511	80	5587830	
33		1853515	81	8627229	
37		1853519	82	1854045	
38		5587820			
United Kingdom		1	5188333	39	8542844
		2	1854017	40	8326346
		3	1854037	41	8326340
		4	1755819	42	8326341
		5	1755824	44	1755823
		6	1756165	46	1853521
		11	1642150	55	1854692
		12	1756248	56	1854693
		13	1854651	57	8542845
		14	1854660	58	8326342
		15	1853501	59	8326343
		17	1854644	61	1756167
		18	1854661	63	5588016
		19	1854646	64	1853532
	20	1854647	71	1853539	
	21	1642149	72	1853540	
	22	1854663	73	1853541	
	23	1854667	76	8326344	
	26	1853607	77	8326345	
	28	1853510	79	1756172	
	29	1853511	80	1756173	
	33	1853515	81	8326347	
	37	1852519	82	1854045	
	38	5587749			

FIGURE 17. TYPEWRITER KEYBUTTON CHART. SHEET 4 OF 5.



COUNTRY	KEYBUTTON POSITION												
	1	2	3	4	5	6	7	8	9	10	11	12	
Japan (English)	5188333	1854017	1854037	1755819	1755824	1756165	1853560	1853561	1853547	1853562	5588003	1756248	
Katakana	5188333	1854017	1854037	1755819	1755824	1756165	1853560	1853561	1853547	1853562	5588003	5588004	
	13	14	15	16	17	18	19	20	21	22	23	24	
Japan (English)	1854651	1853500	1853501	1853502	1854644	1854661	1854646	1854647	1854666	1854663	1854667	5194117	
Katakana	1854595	1854596	5588017	1854598	1854599	1854728	1854729	1854730	1854731	5588018	5588019	5588005	
	25	26	27	28	29	30	31	32	33	34	35	36	
Japan (English)	1853547	1853607	1643646	1853510	1853511	1853512	1853513	1853514	1853515	1853516	1853517	1853518	
Katakana	1853547	1853607	1643646	1854735	1854736	1854737	1854738	5588021	1854740	1854741	1854742	1854743	
	37	38	39	40	41	42	43	44	45	46	47	48	
Japan (English)	1853519	5587749	5588013	8326346	8326340	8326341	1854028	1755823	1643640	1853521	1853522	1853523	
Katakana	1854744	5588024	5588023	8326346	8326340	8326341	1854028	1755823	5192927	1854746	1854747	1854748	
	49	50	51	52	53	54	55	56	57	58	59	60	
Japan (English)	1853524	1853525	1853526	1853527	1853528	1853529	1854692	1854693	5588014	8326342	8326343	1854035	
Katakana	1854749	1854750	1854751	1854752	1854753	1854754	5588022	5588025	5588026	8326342	8326343	1854035	
	61	62	63	64	65	66	67	68	69	70	71	72	
Japan (English)	1756167	5588015	-	1853532	1853533	1853534	1853535	1853536	1853537	1853538	1853539	1853540	
Katakana	1756167	5192926	-	1854757	1854758	1854759	1854760	1854761	1854762	1854763	1854764	1854765	
	73	74	75	76	77	78	79	80	81	82	83	84	
Japan (English)	1853541	5588016	1643644	8326344	8326345	1854040	1854050	1756173	8326347	1854045	-	5588006	
Katakana	1854766	5588027	5192928	8326344	8326345	1854040	5192925	1756173	8326347	1854045	-	5588006	
	85	86											
Japan (English)	1756172	1854050											
Katakana	1756172	5588011											

FIGURE 17. TYPEWRITER KEYBUTTON CHART. SHEET 5 OF 5.



POS	PART NUMBER	POS	PART NUMBER
1		35	1853620
2		36	
3		37	
4		38	
5		39	
6		40	
7	1853560	41	1853624
8	1853561	42	1854078
9	1853547	43	1854079
10	1853562	44	
11		45	1854135
12		46	1853629
13		47	1853630
14	1854068	48	1853631
15		49	
16		50	
17		51	
18		52	1756192
19	1853608	53	
20	1853609	54	1853636
21	1853562	55	1854139
22		56	1854140
23	1756179	57	
24		58	1854142
25	1756181	59	1853641
26		60	
27		61	
28	1854072	62	
29		63	
30		64	
31		65	
32	1853617	66	
33	1853618	67	1643643
34	1853619		

Part numbers shown are the same for all countries except Japan Katakana. Part numbers for the positions left blank are on the following pages.

FIGURE 18. DATA ENTRY KEYBUTTON CHART, SHEET 1 OF 5.

COUNTRY	POS	PART NUMBER	POS	PART NUMBER	
US/ Canada	1	5188333	31	1854075	
	2	1854017	36	1756182	
	3	1854037	37	1755821	
	4	1755819	38	1756184	
	5	1755824	39	1756188	
	6	1756165	40	1854077	
	11	1756174	44	1853627	
	12	8326335	49	1853632	
	13	1854067	50	1756166	
	15	1854069	51	8326338	
	16	1854070	53	1854138	
	17	8326336	57	1854141	
	18	1853607	60	1853642	
	22	1854020	61	1853643	
	24	1756180	62	1756195	
	26	1853611	63	1756196	
	27	1853612	64	1756199	
	29	1854073	65	1756173	
	30	1645041			
	Belgium	1	5188333	31	1756245
		2	1854017	36	1756182
		3	1854037	37	1755821
		4	1755819	38	1756184
		5	1755824	39	1756188
		6	1756165	40	5189472
		11	1756174	44	1756244
		12	8326335	49	1853632
		13	5189453	50	5189454
		15	1854069	51	8326338
		16	1854070	53	5189473
17		8326336	57	1756247	
18		1853607	60	1853642	
22		1854020	61	1853643	
24		1756180	62	1756195	
26		5189468	63	1756196	
27		5189470	64	1756199	
29		1756246	65	1756173	
30		5189471			
Brazil		1	5188333	31	1756245
		2	1854017	36	5189493
		3	1854037	37	1755821
		4	1755819	38	1756184
		5	1755824	39	1756188
		6	1756165	40	1854077
		11	1756174	44	1756244
		12	8326335	49	5189494
		13	5994151	50	5189495
		15	1854069	51	8326338
		16	1854070	53	1854138
	17	8326336	57	1854175	
	18	1853607	60	1853642	
	22	5588003	61	1853643	
	24	1756180	62	8627236	
	26	1853611	63	1854143	
	27	1853612	64	1756199	
	29	1854159	65	1756173	
	30	1645041			

COUNTRY	POS	PART NUMBER	POS	PART NUMBER	
Canada (French)	1	5188596	31	1756245	
	2	5587770	36	1756182	
	3	5587771	37	5587796	
	4	5587772	38	5189474	
	5	8627482	39	5189479	
	6	5587774	40	1854077	
	11	8627587	44	1756244	
	12	8627495	49	8627483	
	13	5189463	50	1853569	
	15	1854069	51	8627497	
	16	1854070	53	1854138	
	17	8326336	57	5189750	
	18	1757148	60	1853642	
	22	5189467	61	1853643	
	24	8627496	62	1756195	
	26	1853611	63	1756196	
	27	1853612	64	8627498	
	29	5189464	65	5587797	
	30	5189465			
	Denmark	1	5188333	31	1756245
		2	1854017	36	5189488
		3	1854037	37	1755821
		4	1755819	38	1756184
		5	1755824	39	1756188
		6	1756165	40	1854077
		11	1756174	44	1756244
		12	8326335	49	5189481
		13	5994151	50	5189480
		15	5189489	51	8326338
		16	1854070	53	1854138
17		8326336	57	1854175	
18		1853607	60	1853642	
22		5588003	61	1853643	
24		1756180	62	8627236	
26		1853611	63	1854143	
27		1853612	64	1756199	
29		5188821	65	1756173	
30		1645041			
Finland		1	5188333	31	1756245
		2	1854017	36	5189483
		3	1854037	37	1755821
		4	1755819	38	1756184
		5	1755824	39	1756188
		6	1756165	40	1854077
		11	1756174	44	1756244
		12	8326335	49	1853632
		13	5994151	50	5189484
		15	5189489	51	8326336
		16	1854070	53	1854138
	17	8326336	57	1854175	
	18	1853607	60	5189485	
	22	5588003	61	5189486	
	24	1756180	62	5189487	
	26	1853611	63	1854143	
	27	1853612	64	1756199	
	29	5189482	65	1756173	
	30	1854074			

FIGURE 18. DATA ENTRY KEYBUTTON CHART. SHEET 2 OF 5.

COUNTRY	POS	PART NUMBER	POS	PART NUMBER	
France (Azerty)	1	5188596	31	1756245	
	2	5192976	36	1756182	
	3	5587771	37	2658941	
	4	5587772	38	5189474	
	5	8627482	39	2658942	
	6	5587774	40	5189472	
	11	8627460	44	1756244	
	12	8627461	49	8627483	
	13	5189466	50	1853569	
	15	1854069	51	8627459	
	16	1854070	53	5189473	
	17	8326336	57	5189475	
	18	1757148	60	1853642	
	22	8627484	61	1853643	
	24	8627487	62	1756195	
	26	5189468	63	1756196	
	27	5189470	64	8627485	
	29	5184069	65	2658940	
	30	5189471			
	France (Qwerty)	1	5188596	31	1756245
		2	5192976	36	1756182
		3	5587771	37	2658941
		4	5587772	38	5189474
		5	8627482	39	2658942
		6	5587774	40	1854077
		11	8627460	44	1756244
		12	8627461	49	8627483
		13	5189466	50	1853569
		15	1854069	51	8627459
		16	1854070	53	1854138
17		8326336	57	5189475	
18		1757148	60	1853642	
22		8627484	61	1853643	
24		8627487	62	1756195	
26		1853611	63	1756196	
27		1853612	64	8627485	
29		5189469	65	2658940	
30		5189471			
US/Canada (ASCII)		1	5188333	31	1756245
		2	1854017	36	1756182
		3	1854037	37	1755821
		4	1755819	38	1756184
		5	1755824	39	1756188
		6	1756165	40	1854077
		11	1756174	44	1756244
		12	8326335	49	1853632
		13	1854067	50	1853569
		15	1854069	51	8326338
		16	1854070	53	1854138
	17	8326336	57	1756247	
	18	1853607	60	1853642	
	22	1854020	61	1853643	
	24	1756180	62	1756195	
	26	1853611	63	1756196	
	27	1853612	64	1756199	
	29	1756246	65	1756173	
	30	1645041			

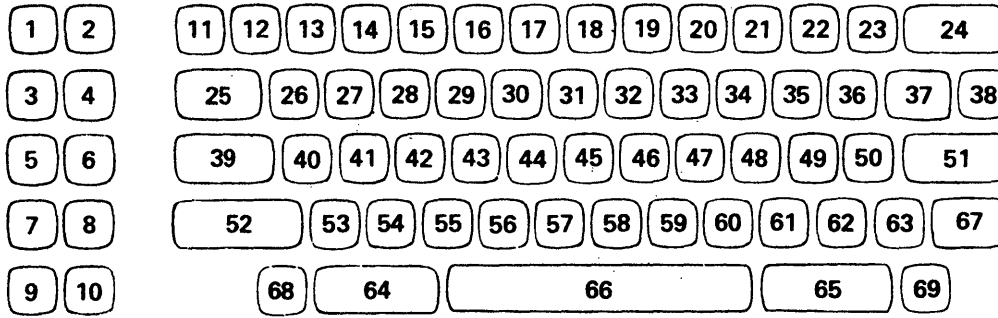
COUNTRY	POS	PART NUMBER	POS	PART NUMBER	
Italy	1	5188331	31	1756245	
	2	1854017	36	1756182	
	3	5587838	37	5587842	
	4	5587840	38	5189477	
	5	8627280	39	5189458	
	6	8542818	40	1854077	
	11	8627277	44	1756244	
	12	8627278	49	1757197	
	13	5189455	50	1853569	
	15	1854069	51	8627279	
	16	1854070	53	1854138	
	17	8326336	57	5189459	
	18	1853607	60	1853642	
	22	5189457	61	1853643	
	24	8627282	62	1756195	
	26	1853611	63	2658926	
	27	1853612	64	8627281	
	29	5189469	65	5587844	
	30	5189471			
	Japan (English)	1	5188333	31	1854075
		2	1854017	36	1756182
		3	1854037	37	1755821
		4	1755819	38	1756184
		5	1755824	39	1756188
		6	1756165	40	1854077
		11	1756174	44	1853627
		12	8326335	49	1853632
		13	1854067	50	5189462
		15	5189460	51	8326338
		16	1854070	53	1854138
17		8326336	57	1854141	
18		1853607	60	1853642	
22		1854020	61	1853643	
24		1756180	62	1756195	
26		1853611	63	1756196	
27		1853612	64	1756199	
29		5189461	65	1756173	
30		5588002			
Norway		1	5188333	31	1756245
		2	1854017	36	5189488
		3	1854037	37	1755821
		4	1755819	38	1756184
		5	1755824	39	1756188
		6	1756165	40	1854077
		11	1756174	44	1756244
		12	8326335	49	5189480
		13	5588003	50	5189481
		15	5189489	51	8326338
		16	1854070	53	1854138
	17	8326336	57	1854175	
	18	1853607	60	1853642	
	22	1854020	61	1853643	
	24	1756180	62	8627236	
	26	1853611	63	1854143	
	27	1853612	64	1756199	
	29	5188821	65	1756173	
	30	1645041			

FIGURE 18. DATA ENTRY KEYBUTTON CHART. SHEET 3 OF 5.

COUNTRY	POS	PART NUMBER	POS	PART NUMBER	
Portugal	1	5188333	31	1756245	
	2	1854017	36	5189493	
	3	1854037	37	1755821	
	4	1755819	38	1756184	
	5	1755824	39	1756188	
	6	1756165	40	1854077	
	11	1756174	44	1756244	
	12	8326335	49	5189494	
	13	5588003	50	5189495	
	15	1854069	51	8326338	
	16	5189492	53	1854138	
	17	8326336	57	1756247	
	18	1853607	60	1853642	
	22	1854020	61	1853643	
	24	1756180	62	8627236	
	26	1853611	63	1854143	
	27	1853612	64	1756199	
	29	1756246	65	1756173	
	30	1854074			
	Spain	1	5188332	31	1854075
		2	5587812	36	1756182
		3	5587813	37	5587827
		4	5587814	38	5189477
		5	5587825	39	5189479
		6	5587826	40	1854077
		11	8627232	44	1853627
		12	8627233	49	5189478
		13	1853602	50	1757197
		15	2658925	51	8627234
		16	1854070	53	1854138
17		8326336	57	1756247	
18		1853607	60	1853642	
22		5189476	61	1853643	
24		8627237	62	1756195	
26		1853611	63	2658926	
27		1853612	64	8627235	
29		1756246	65	5587830	
30		1645041			
Austria/ Germany		1	5188330	31	8542851
		2	1854601	36	8542852
		3	5587799	37	5587808
		4	5192889	38	5192890
		5	5587801	39	8496618
		6	5587802	40	1854077
		11	8627239	44	1756244
		12	8627240	49	5189490
		13	5588003	50	5189491
		15	1854069	51	8627241
		16	1854070	53	8542854
	17	8627238	57	1854175	
	18	1853607	60	1853642	
	22	8542849	61	1853643	
	24	8627243	62	1757113	
	26	1853611	63	1854143	
	27	1853612	64	8627242	
	29	5188821	65	8496699	
	30	8542850			

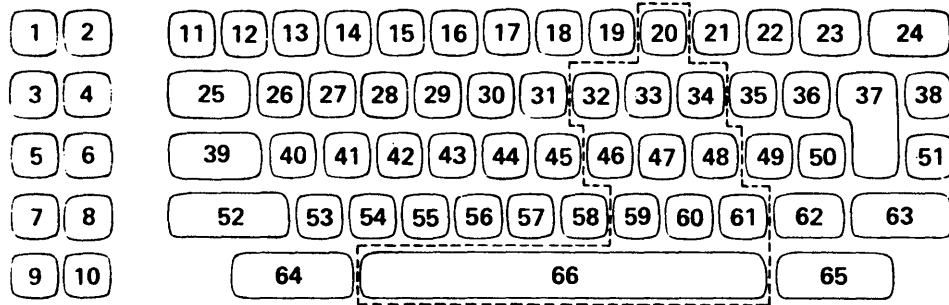
COUNTRY	POS	PART NUMBER	POS	PART NUMBER	
Spanish Speaking	1	5188332	31	1854075	
	2	5587812	36	1756182	
	3	5587813	37	5587827	
	4	5587814	38	5189477	
	5	5587825	39	5189479	
	6	5587826	40	1854077	
	11	8627232	44	1853627	
	12	8627233	49	5189478	
	13	1853602	50	1757197	
	15	1854069	51	8627234	
	16	1854070	53	1854138	
	17	8326336	57	1756247	
	18	1853607	60	1853642	
	22	5189476	61	1853643	
	24	8627237	62	1756195	
	26	1853611	63	2658926	
	27	1853612	64	8627235	
	29	1756246	65	5587830	
	30	1645041			
	United Kingdom	1	5188333	31	1854075
		2	1854017	36	1756182
		3	1854037	37	1755821
		4	1755819	38	1756184
		5	1755824	39	1756188
		6	1756165	40	1854077
		11	1756174	44	1853627
		12	8326335	49	1853632
		13	5192891	50	1853569
		15	1854069	51	8326338
		16	1854070	53	1854138
17		8326336	57	1854141	
18		1853607	60	1853642	
22		1854020	61	1853643	
24		1756180	62	1746195	
26		1853611	63	1756196	
27		1853612	64	1756199	
29		5188821	65	1756173	
30		1645041			
Sweden		1	5188333	31	1756245
		2	1854017	36	5189488
		3	1854037	37	1755821
		4	1755819	38	1756184
		5	1755824	39	1756188
		6	1756165	40	1854077
		11	1756174	44	1756244
		12	8326335	49	5189490
		13	5994151	50	5189491
		15	5189489	51	8326338
		16	1854070	53	1854138
	17	8326336	57	1854175	
	18	1853607	60	1855009	
	22	5588003	61	1855264	
	24	1756180	62	8627236	
	26	1853611	63	1854143	
	27	1853612	64	1756199	
	29	5189482	65	1756173	
	30	1854074			

FIGURE 18. DATA ENTRY KEYBUTTON CHART. SHEET 4 OF 5.



COUNTRY	KEYBUTTON POSITION											
	1	2	3	4	5	6	7	8	9	10	11	12
Katakana	5188333	1854017	1854037	1755819	1755824	1756165	1853560	1853561	1853547	1853562	1756174	8627499
	13	14	15	16	17	18	19	20	21	22	23	24
Katakana	5192984	5189497	5189498	5189499	8627500	5189501	5189502	5189503	5997272	5189505	5189506	8627502
	25	26	27	28	29	30	31	32	33	34	35	36
Katakana	1756181	5189508	5189509	5189510	5189511	5189512	5189513	5189514	5189515	5189516	5189517	5997273
	37	38	39	40	41	42	43	44	45	46	47	48
Katakana	8627503	5189519	1756188	5189521	5189522	5189523	5189524	5189525	5189526	5189527	5189528	5189529
	49	50	51	52	53	54	55	56	57	58	59	60
Katakana	8627504	5189531	5189532	5189533	1854757	5189534	5189535	5189536	5189537	5189538	5189539	5189540
	61	62	63	64	65	66	67	68	69			
Katakana	5189541	5997274	5997282	1756199	1756173	-	5189544	5189545	5588011			

FIGURE 18. DATA ENTRY KEYBUTTON CHART. SHEET 3 OF 5.



All keybutton part numbers except for the positions shown are the same as the Data Entry keybutton part numbers.

COUNTRY	KEYBUTTON POSITION										
	20	32	33	34	46	47	48	59	60	61	66
US/Canada	1645033	1641095	1641099	1641098	1853629	1853630	1853631	1854799	1855009	1855264	1756241
Belgium	1645033	1641095	1641099	1641098	1853629	1853630	1853631	1854799	1855009	1855264	1756241
Brazil	1645033	1641095	1641099	1641098	1853629	1853630	1853631	1854799	1855009	1855264	1756241
Canada (French)	5192980	1641095	1641099	1641098	1853629	1853630	1853631	1854799	1855009	1855264	1756241
Denmark	1645033	1641095	1641099	1641098	1853629	1853630	1853631	1854799	1855009	1855264	1756241
Finland	1856309	1641095	1641099	1641098	1853629	1853630	1853631	1854799	5189596	5189597	1756241
France (Azerty)	5192980	1641095	1641099	1641098	1853629	1853630	1853631	1854799	1855009	1855264	1756241
France (Qwerty)	5192980	1641095	1641099	1641098	1853629	1853630	1853631	1854799	1855009	1855264	1756241
US/Canada (ASCII)	1645033	1641095	1641099	1641098	1853629	1853630	1853631	1854799	1855009	1855264	1756241
Italy	1645033	1641095	1641099	1641098	1853629	1853630	1853631	1854799	1855009	1855264	1756241
Japan (English)	1645033	1641095	1641099	1641098	1853629	1853630	1853631	1854799	1855009	1855264	1756241
Japan (Katakana)	5194138	5194139	5194140	5194141	5189527	5189528	5189529	5194142	5194143	5194144	5192825
Sweden	1645033	1641095	1641099	1641098	1853629	1853630	1853631	1854799	1855009	1855264	1756241
Norway	1645033	1641095	1641099	1641098	1853629	1853630	1853631	1854799	1855009	1855264	1756241
Portugal	1645033	1641095	1641099	1641098	1853629	1853630	1853631	1854799	1855009	1855264	1756241
Spain	1645033	1641095	1641099	1641098	1853629	1853630	1853631	1854799	1855009	1855264	1756241
Spanish Speaking	1645033	1641095	1641099	1641098	1853629	1853630	1853631	1854799	1855009	1855264	1756241
United Kingdom	1645033	1641095	1641099	1641098	1853629	1853630	1853631	1854799	1855009	1855264	1756241
Austria/Germany	1645033	1641095	1641099	1641098	1853629	1853630	1853631	1854799	1855009	1855264	1756241

FIGURE 19. DATA ENTRY KEYBUTTON CHART (WITH PROOF).

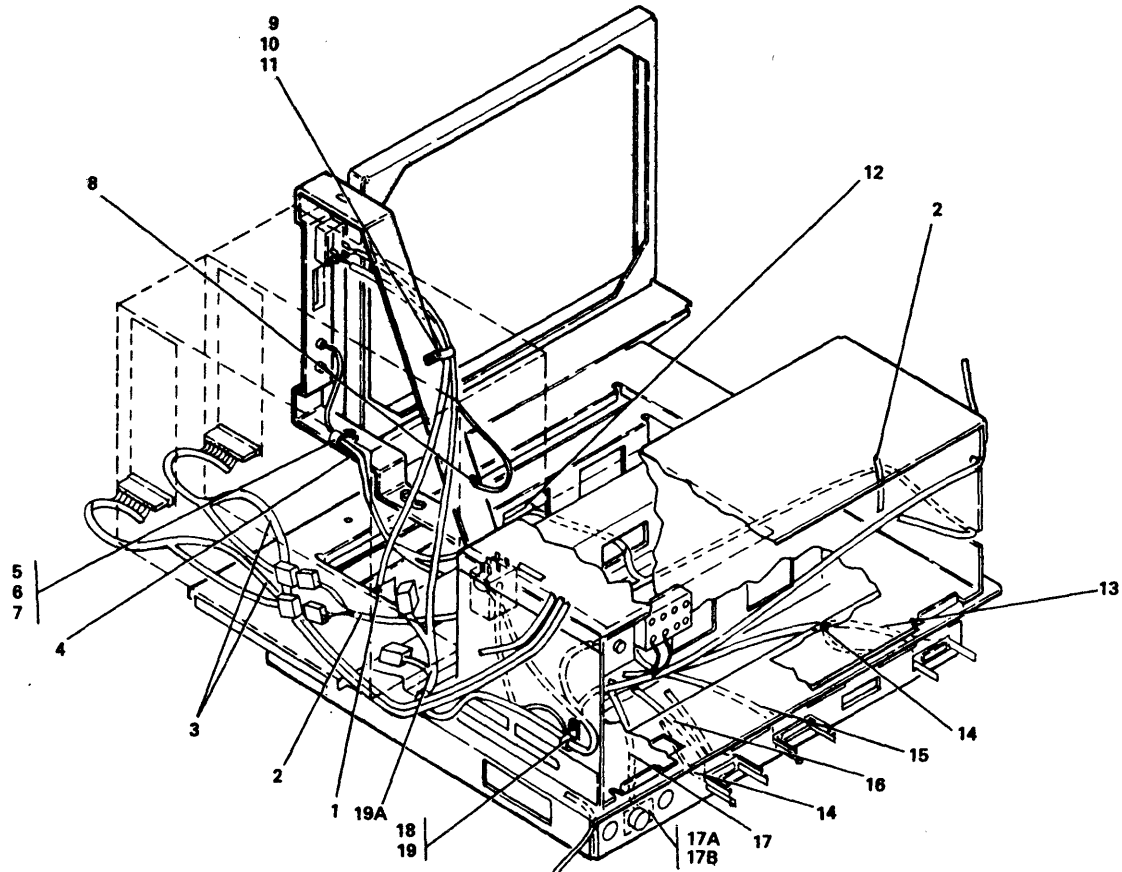


FIGURE- INDEX NUMBER	PART NUMBER	UNITS PER ASM.	DESCRIPTION			
			1	2	3	4
20 -	NO NO. NP	REF	CABLE ROUTING			
- 1	7364215	1	. CABLE ASM, AC DIST-LINE FILTER TO SWITCH			
- 2	7364229	1	. CABLE ASM, DC DIS-PS TO PCBD/DISK/KB-5281			
- 2	7364273	1	. CABLE ASM, DC DIST PS TO LOG/DISK/KB-5285			
- 3	7364219	1	. CABLE ASM, LOGIC TO DISKETTE LOCAL			
- 4	7364211	1	. CABLE ASM, LOGIC TO KB/CRT/BRIGHT/CONTRST			
- 5	5213276	1	. CLAMP			
- 6	1621192	1	. SCREW, MACH-PAN HD M4 X 8MM LG			
- 7	1622403	1	. NUT, HEX M4 X 7 PL WSHR			
- 8	7362385	1	. SCREW, THD FORM-HEX WSHR HD M4 X 8MM LG			
- 9	515661	1	. CLAMP			
- 10	1621192	1	. SCREW, MACH-PAN HD M4 X 8MM LG			
- 11	1622403	1	. NUT, HEX M4 X 7 PL WSHR			
- 12	7364211	1	. CABLE ASM, LOGIC TO KB/CRT/BRIGHT/CONTRST			
- 13	7364285	1	. CABLE ASM, LOGIC TO I/O PNL-COHN W/O LN P			
- 13	7364286	1	. CABLE ASM, LINE PLATE			
- 14	7362385	2	. SCREW, THD FORM-HEX WSHR HD M4 X 8MM LG			
- 15	7364566	1	. CABLE ASM, LOGIC TO I/O PANEL-DISKETTE			
- 16	7364363	1	. CABLE ASM, LOGIC TO I/O PANEL-WORKSTATION			
- 16	7364291	1	. CABLE ASM, LOGIC TO I/O PNL-MS READER REM			
- 17	7364271	1	. CABLE ASM, LOGIC TO I/O PNL 1 PORT PRTR			
- 17	1618155	1	. CABLE ASM, LOGIC TO I/O PNL 1 PORT PRTR			
- 17A	4177825	1	. RETAINER			
- 17B	4177824	1	. SCREW			
- 18	515661	1	. CLAMP			
- 18	356742	1	. CLAMP			
- 19	1621190	2	. SCREW			
- 19A	5642698	1	. CABLE ASM, AC-DISP/DISK/SW/PS/RELAY 5281			

FIGURE 20. CABLE ROUTING. SHEET 1 OF 3. INDEX NOS. 1-19.

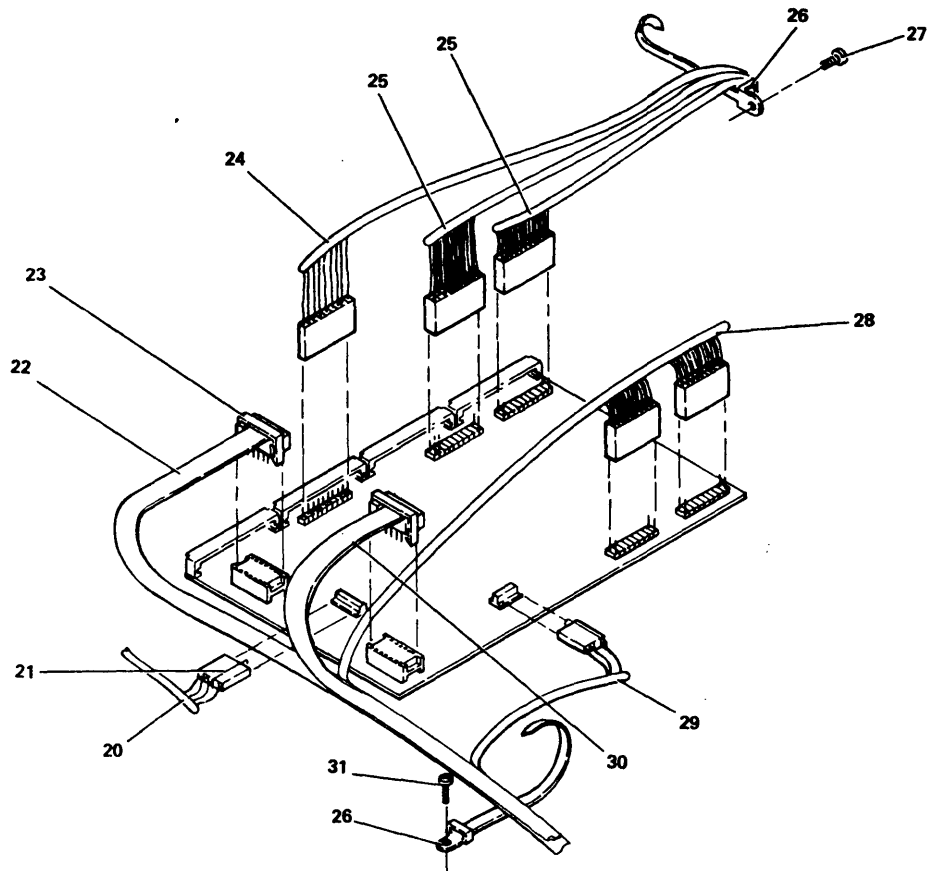


FIGURE- INDEX NUMBER	PART NUMBER	UNITS PER ASM.	DESCRIPTION				
			1	2	3	4	
20 -	7364229	1	. CABLE ASM,DC DIS-PS TO PCBD/DISK/KB-5281				
-	2766961	2	. RETAINER				
-	7364211	1	. CABLE ASM,LOGIC TO KB/CRT/BRIGHT/CONIRST				
-	7364157	2	. FASTENER				
-	7364292	1	. CABLE ASM,LOGIC TO HS READER-LOCAL				
-	7364219	2	. CABLE ASM,LOGIC TO DISKETTE LOCAL				
-	532393	2	. CABLE TIE				
-	1621191	1	. SCREW,HACH-PAN HD M4 X 10MM LG				ATT PT
-	7364566	1	. CABLE ASM,LOGIC TO I/O PANEL-DISKETTE				
-	7364291	1	. CABLE ASM,LOGIC TO I/O PNL-HS READER REM				
-	7364363	1	. CABLE ASM,LOGIC TO I/O PANEL-WORKSTATION				
-	7362130	1	. SCREW,THD FORM-HEX HD M4X6MM LG				ATT PT

FIGURE 20. CABLE ROUTING 5281. SHEET 2 OF 3. INDEX NOS. 20-31.

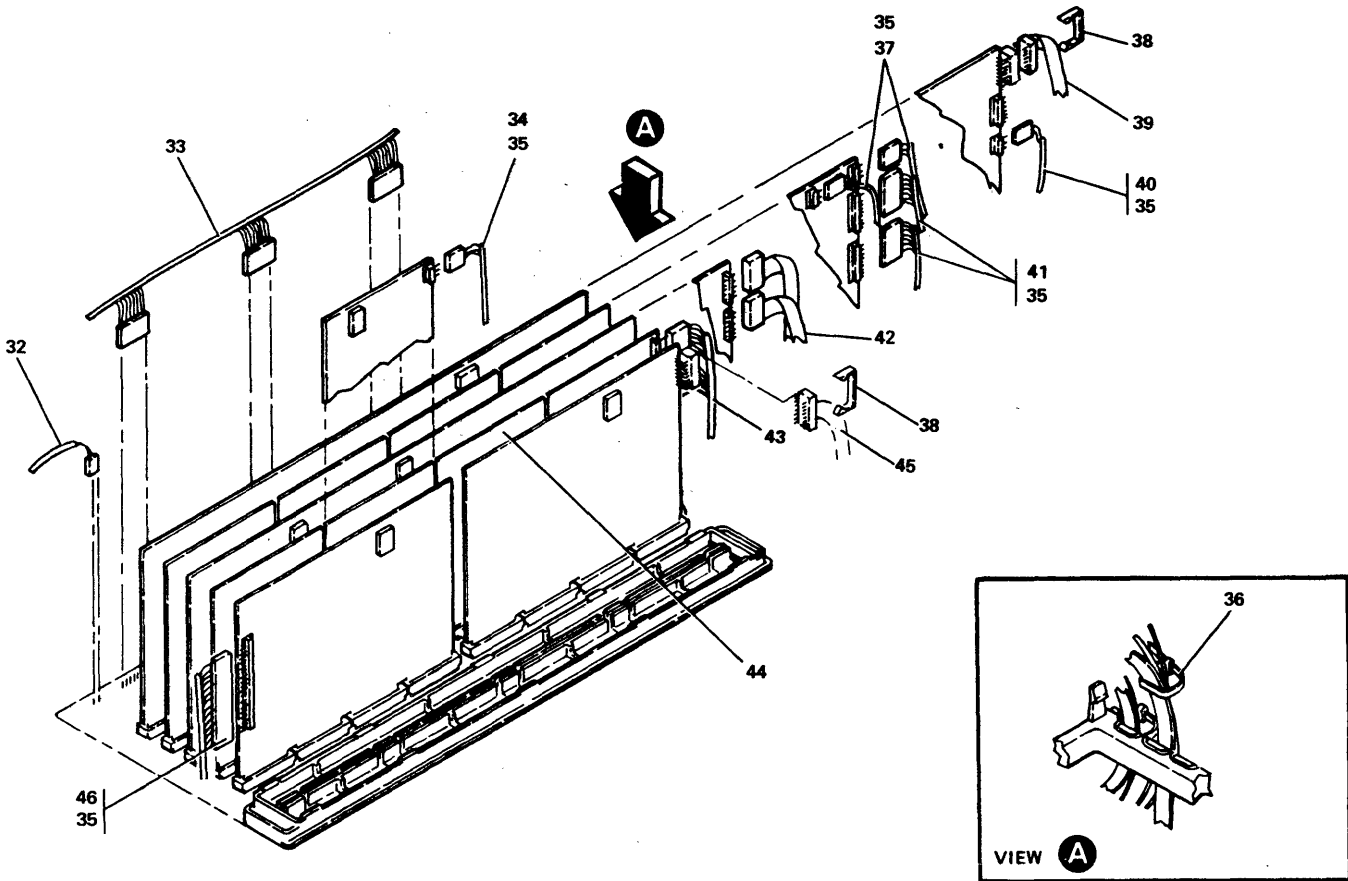


FIGURE- INDEX NUMBER	PART NUMBER	UNITS PER ASM.	DESCRIPTION				
			1	2	3	4	
20 - 32	5642713	1	.	CABLE ASM,INTERNAL-8.5V,EIA,38LS AUTO ANSWER			
- 33	7364273	1	.	CABLE ASM,DC DIST PS TO LOG/DISK/KB-5285			
- 34	7364271	1	.	CABLE ASM,LOGIC TO I/O PNL 1 PORT PRTR			
- 35	2766961	7	.	RETAINER			
- 36	524519	1	.	CABLE TIE			
- 37	7364291	2	.	CABLE ASM,LOGIC TO I/O PNL-MS READER REM			
- 38	7364157	2	.	PASTERFF,16 POSITION			
- 39	7364211	1	.	CABLE ASM,LOGIC TO KB/CRT/BRIGHT/CONTRST			
- 40	7364207	1	.	CABLE ASM,LOGIC TO KEYLOCK			
- 41	7364292	2	.	CABLE ASM,LOGIC TO MS READER-LOCAL			
- 42	7364219	1	.	CABLE ASM,LOGIC TO DISKETTE LOCAL			
- 43	7364566	1	.	CABLE ASM,LOGIC TO I/O PANEL-DISKETTE			
- 44	813181	1	.	EXTENDER			
- 45	7364363	1	.	CABLE ASM,LOGIC TC I/O PANEL-WORKSTATION			
- 46	7364285	1	.	CABLE ASM,LOGIC TO I/O PNL-COMM W/O LN P			

FIGURE 20. CABLE ROUTING 5285. SHEET 3 OF 3. INDEX NOS 32-46.

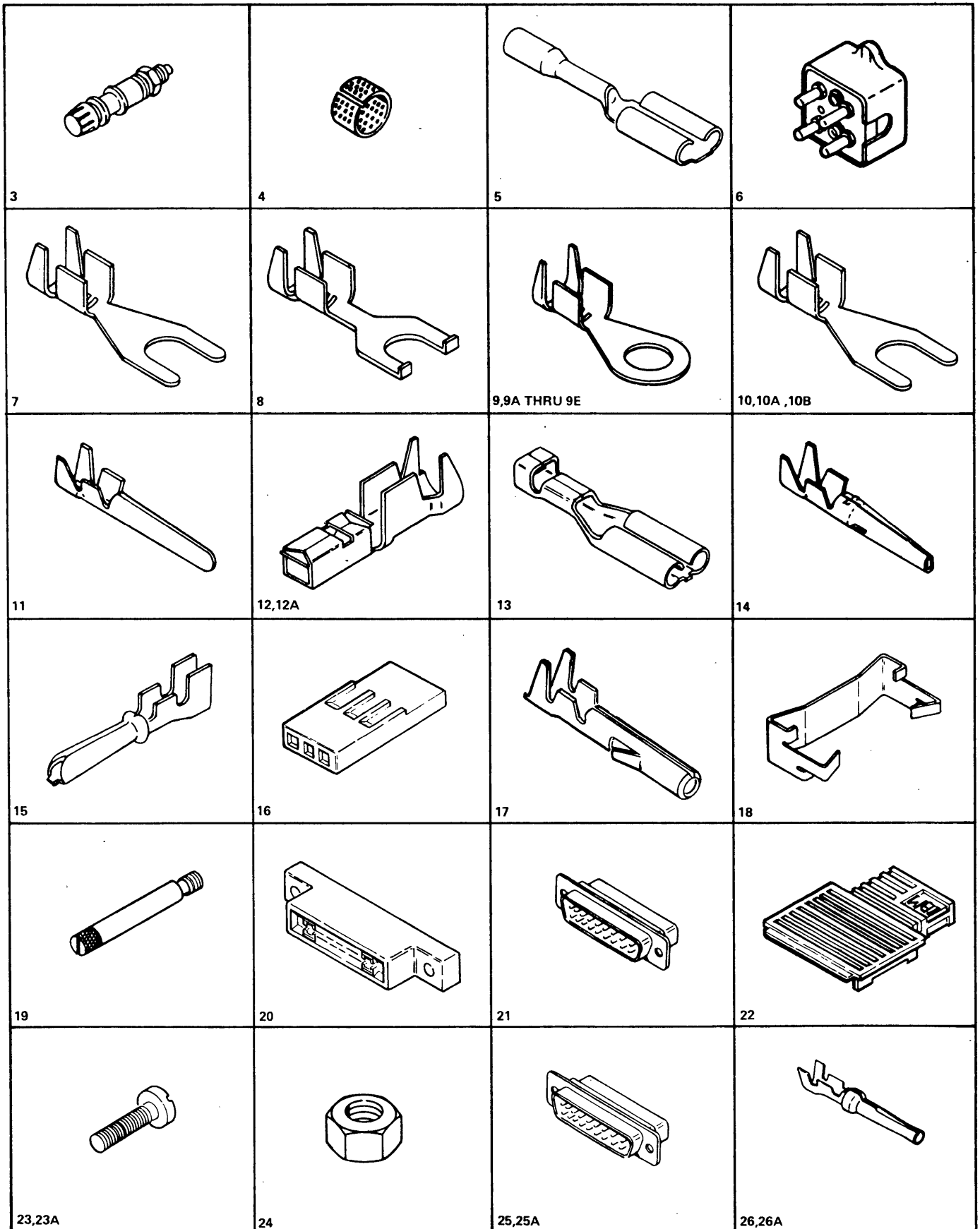


FIGURE 21. CABLE AND JUMPER ASM WITH COMPONENT PARTS. SHEET 1 OF 3.

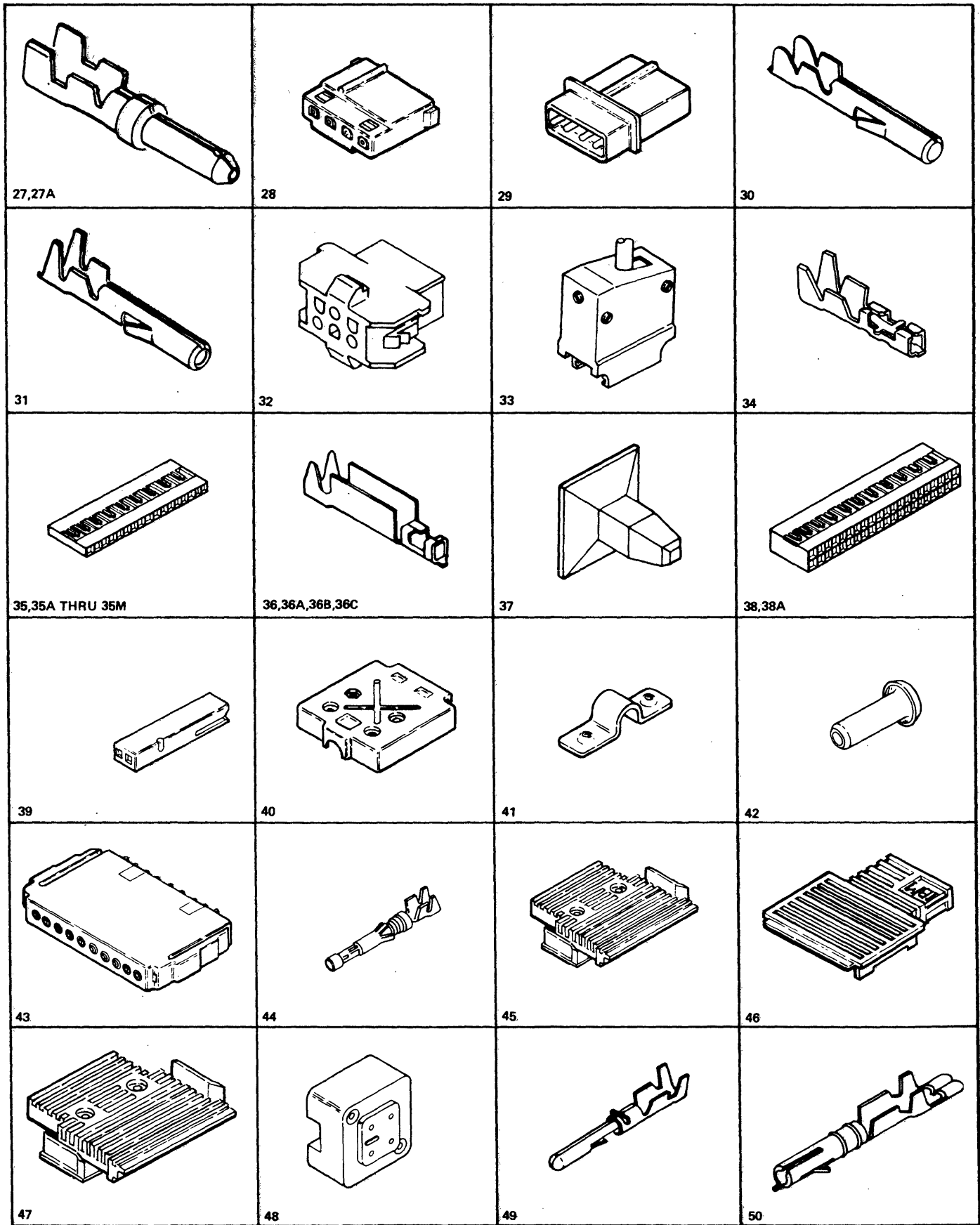


FIGURE 21. CABLE AND JUMPER ASM WITH COMPONENT PARTS. SHEET 2 OF 3.

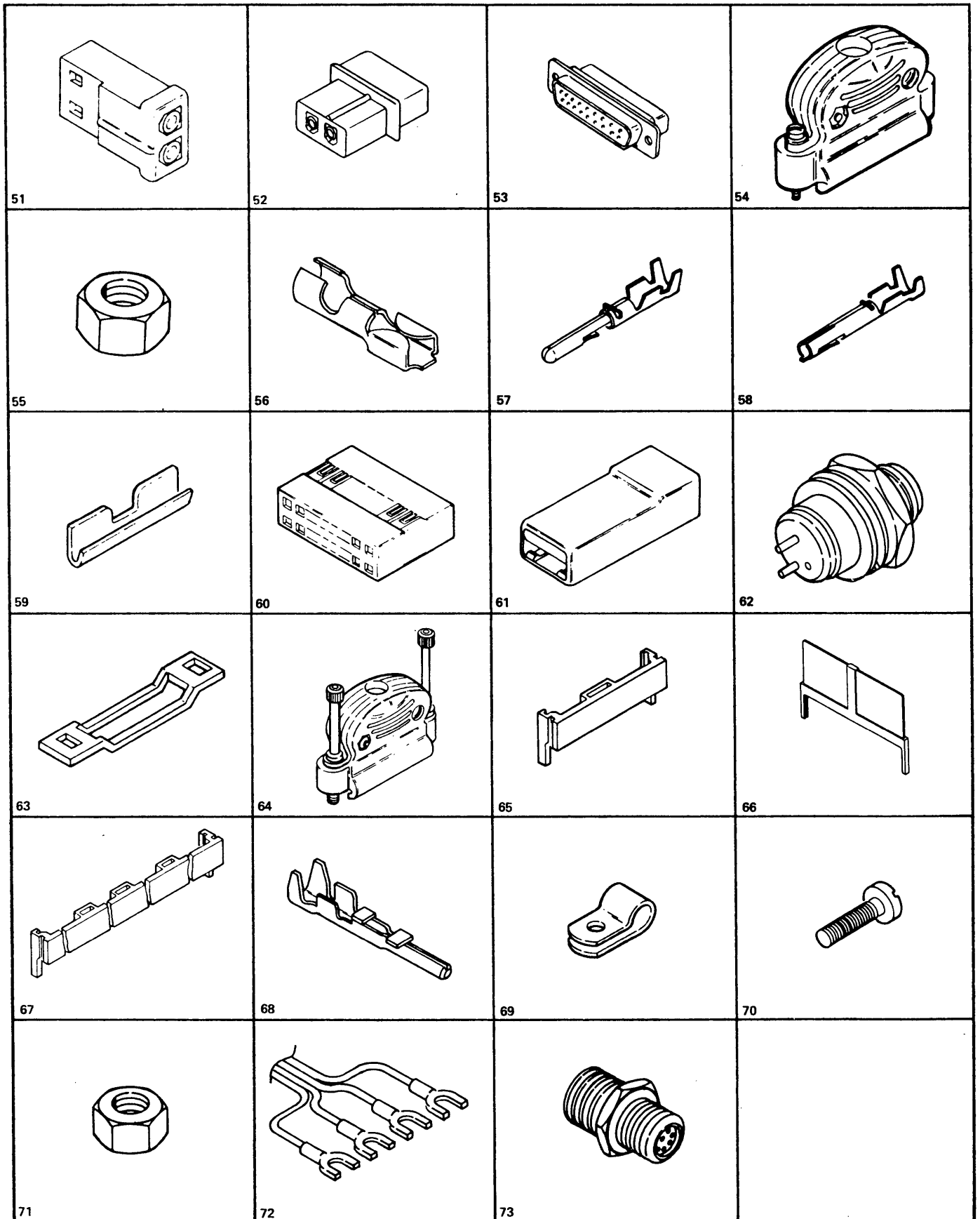


FIGURE 21. CABLE AND JUMPER ASM WITH COMPONENT PARTS. SHEET 3 OF 3.

FIGURE- INDEX NUMBER	PART NUMBER		UNITS PER ASM.	DESCRIPTION
	NO NO.	NP		
21 -				
- 1	1618132		1	CABLE & JUMPER ASM WITH COMPONENT PARTS - CABLE ASM, CCMH EIA/CCITT-12.2M-40 FT FOR COMPONENT PARTS SEE INDEX NOS. 4A, 18, 19, 23, 24, 25, 25A, 26, 26A, 27, 27A, 33, 40, 41, 42, 63
- 1	1618133		1	- CABLE ASM, CCMH DDSA 12.2M-40 FT FOR COMPONENT PARTS SEE INDEX NOS. 21, 23, 24, 25, 26, 27, 40, 41, 42, 63, 64
- 1	1618134		1	- CABLE ASM, CCMH 38LS US NON/SW 12.2M-40FT FOR COMPONENT PARTS SEE INDEX NOS. 6, 9B, 10, 23, 24, 25, 26, 40, 41, 42, 63
- 1	1618135		1	- CABLE ASM, CCMH 38LS US SW 12.2M-40 FT FOR COMPONENT PARTS SEE INDEX NOS. 21, 23, 24, 25, 26, 27, 40, 41, 42, 63
- 1	1618136		1	- CABLE ASM, CCMH 38LS US SNU 12.2M-40 FT FOR COMPONENT PARTS SEE INDEX NOS. 6, 9B, 10, 21, 23, 24, 25, 26, 27, 40, 41, 42, 63, 64
- 1	1618155		1	- CABLE ASM, LOGIC TO I/O PNL 1 PORT PRTR FOR COMPONENT PARTS SEE INDEX NOS. 9C, 27A, 35P, 36A, 37, 73
- 1	1853134		1	- CABLE ASM, 38LS LEASED LINE CABLE 625-A
- 1	4177665		1	- CABLE ASM, SURGE-5285 FOR COMPONENT PARTS SEE INDEX NOS. 9, 9B, 10A, 25A, 27, 35C, 36A, 37
- 1	4177666		1	- CABLE ASM, SURGE PROTECTION-WTC FOR COMPONENT PARTS SEE INDEX NOS. 9, 9B, 10A, 25A, 27, 35C, 36A, 37
- 1	4177700		1	- CABLE ASM, LED FOR COMPONENT PARTS SEE INDEX NOS. 35B, 35E, 36A
- 1	4177721		1	- CABLE ASM, DISKETTE DRIVE FOR COMPONENT PARTS SEE INDEX NOS. 25, 26, 36A, 37, 60
- 1	5642697		1	- CABLE ASM, ROS PATCH 5285
- 1	5642698		1	- CABLE ASM, AC-DISP/DISK/SW/PS/RELAY 5281 FOR COMPONENT PARTS SEE INDEX NOS. 3, 5, 9D, 9E, 13, 30, 31, 32, 56, 61
- 1	5642713		1	- CABLE ASM, INTERNAL-8.5V, EIA, 38LS AUTO ANSWER FOR COMPONENT PARTS SEE INDEX NOS. 12A, 16, 35, 36A, 37
- 1	5642762		1	- CABLE ASM, ROS PATCH SIGNAL 5285
- 1	5994526		1	- CABLE ASM, STUB TO CDT COUPLER OR EQUIV EXTERNAL FOR COMPONENT PARTS SEE INDEX NOS. 53, 54, 55, 7C, 71, 72
- 1	7362267		1	- CABLE ASM, TWINAXIAL I/O MES ONLY
- 1	7362846		1	- 4 WIRE SPADE LUG ADAPTER-WT FOR COMPONENT PARTS SEE INDEX NOS. 8, 10, 48
- 1	7362847		1	- CABLE ASM, ADAPT INT MODEM-US SWITCHED FOR COMPONENT PARTS SEE INDEX NOS. 8, 53, 54, 55
- 1	7364160		1	- CABLE ASM, AC-DISP/DISK/SW/PS/PAN 5285 FOR COMPONENT PARTS SEE INDEX NOS. 5, 9D, 9E, 13, 30, 31, 32, 61
- 1	7364207		1	- CABLE ASM, LOGIC TO KEYLOCK FOR COMPONENT PARTS SEE INDEX NOS. 35G, 36A
- 1	7364208		1	- CABLE ASM, EXTERNAL DISKETTE I/O-MES ONLY FOR COMPONENT PARTS SEE INDEX NOS. 22, 23A, 25A, 27, 27A, 45
- 1	7364211		1	- CABLE ASM, LOGIC TO KB/CRT/BRIGHT/CONTRST FOR COMPONENT PARTS SEE INDEX NOS. 10B, 12, 12A, 15, 20, 25, 26A, 28, 50
- 1	7364212		1	- CABLE ASM, DATA STATION I/O-MES ONLY FOR COMPONENT PARTS SEE INDEX NOS. 22, 23A, 25A, 27, 27A, 45
- 1	7364215		1	- CABLE ASM, AC DIST-LINE FILTER TO SWITCH FOR COMPONENT PARTS SEE INDEX NOS. 9E, 13, 61
- 1	7364219		1	- CABLE ASM, LOGIC TO DISKETTE LOCAL FOR COMPONENT PARTS SEE INDEX NOS. 14, 29, 35E, 36A, 37, 38A, 60, 68
- 1	7364229		1	- CABLE ASM, DC DIS-PS TO PCBD/DISK/KB-5281 FOR COMPONENT PARTS SEE INDEX NOS. 14, 15, 28, 29, 35C, 35D, 35L, 36A, 37, 49, 50
- 1	7364230		1	- CABLE ASM, CCMH EIA/CCITT-6.1M-20 FT

FIGURE- INDEX NUMBER	PART NUMBER	UNITS PER ASM.	DESCRIPTION			
			1	2	3	4
21						FOR COMPONENT PARTS SEE INDEX NOS. 4A, 18, 19, 23, 24, 25, 25A, 26, 26A, 27, 27A, 33, 40, 41, 42, 63
- 1	7364255	1	.			CABLE ASM, COMM DDSA 6.1M-20 FT FOR COMPONENT PARTS SEE INDEX NOS. 21, 23, 24, 25, 26, 27, 40, 41, 42, 63, 64
- 1	7364256	1	.			CABLE ASM, COMM 38LS US NON/SW 6.1M-20 FT FOR COMPONENT PARTS SEE INDEX NOS. 6, 9B, 10, 23, 24, 25, 26, 40, 41, 42, 63
- 1	7364257	1	.			CABLE ASM, COMM 38LS US SW 6.1M-20 FT FOR COMPONENT PARTS SEE INDEX NOS. 21, 23, 24, 25, 26, 27, 40, 41, 42, 63, 64
- 1	7364258	1	.			CABLE ASM, COMM 38LS US SNUB 6.1M-20 FT FOR COMPONENT PARTS SEE INDEX NOS. 6, 9B, 10, 21, 23, 24, 25, 26, 27, 40, 41, 42, 63, 64
- 1	7364259	1	.			CABLE ASM, WT INTERNAL TO LINE PLATE FOR COMPONENT PARTS SEE INDEX NOS. 35C, 36A, 37, 38
- 1	7364271	1	.			CABLE ASM, LCGIC TO I/O PNL 1 PORT PRTR FOR COMPONENT PARTS SEE INDEX NOS. 9C, 34, 35K, 62
- 2	7364273	1	.			CABLE ASM, DC DIST PS TO LOG/DISK/KB-5285 FOR COMPONENT PARTS SEE INDEX NOS. 7, 14, 15, 28, 29, 35H, 36, 36B, 36C, 37, 39, 43, 44, 51, 57, 58
- 2	7364285	1	.			CABLE ASM, LOGIC TO I/O PNL-COMM W/O LN P FOR COMPONENT PARTS SEE INDEX NOS. 10A, 25A, 27, 35C, 36A, 37
- 2	7364291	1	.			CABLE ASM, LOGIC TO I/O PNL-MS READER REM FOR COMPONENT PARTS SEE INDEX NOS. 10A, 26A, 35, 36A, 37
- 2	7364292	1	.			CABLE ASM, LOGIC TO MS READER-LOCAL FOR COMPONENT PARTS SEE INDEX NOS. 4, 9A, 9B, 35H, 35J, 36A
- 2	7364363	1	.			CABLE ASM, LOGIC TO I/O PANEL-WORKSTATION FOR COMPONENT PARTS SEE INDEX NOS. 10B, 25, 26, 27, 49, 52
- 2	7364563	1	.			CABLE ASM, KEYBOARD TO DATA STATION LOCAL FOR COMPONENT PARTS SEE INDEX NOS. 23A, 25A, 27, 27A, 34, 35A, 37, 46, 47, 59
- 2	7364566	1	.			CABLE ASM, LOGIC TO I/O PANEL-DISKETTE FOR COMPONENT PARTS SEE INDEX NOS. 25, 26, 36A, 37, 60
- 2	7364585	1	.			CABLE ASM, LOGIC TO I/O PNL-COMM W/LN PL FOR COMPONENT PARTS SEE INDEX NOS. 11, 25A, 27, 35P, 36A, 37
- 3	179946	AR	.	.	.	FUSEHOLDER, 110 VAC
- 4	219633	AR	.	.	.	RING, RETAINING
- 5	236915	AR	.	.	.	TERMINAL, CONTACT FEMALE 18-20AWG
- 6	341200	AR	.	.	.	PLUG, 4 PRONG
- 7	483644	AR	.	.	.	TERMINAL, STRAIGHT SPADE 8 STUD 14-16AWG
- 8	483648	AR	.	.	.	TERMINAL, FLANGED SPADE
- 9	483676	AR	.	.	.	TERMINAL, RING NO. 6 STUD 22-26AWG
- 9A	483677	AR	.	.	.	TERMINAL, RING NO. 6 STUD 18-20AWG
- 9B	483678	AR	.	.	.	TERMINAL, RING NO 6 STUD 14-16AWG
- 9C	483680	AR	.	.	.	TERMINAL, RING NO. 8 STUD 22-26 AWG
- 9D	483681	AR	.	.	.	TERMINAL, RING
- 9E	483682	AR	.	.	.	TERMINAL, RING NO. 8 STUD 14-16AWG
- 10	483693	AR	.	.	.	TERMINAL, STRAIGHT SPADE
- 10A	483695	AR	.	.	.	TERMINAL, STRAIGHT SPADE 22-26AWG
- 10B	483698	AR	.	.	.	TERMINAL, SPADE-NO. 8 STUD 22-26 AWG
- 11	483699	AR	.	.	.	TERMINAL, SPADE-NO. 8 STUD 18-20 AWG
- 12	815933	AR	.	.	.	CONNECTOR
- 12A	815934	AR	.	.	.	CONNECTOR, DISCRETE WIRE 22-36AWG
- 13	1127037	AR	.	.	.	TERMINAL, SLIP-ON 12-18 AWG
- 14	1166114	AR	.	.	.	TERMINAL, PIN 22-18 AWG
- 15	1166115	AR	.	.	.	TERMINAL, SOCKET 22-18 AWG
- 16	1455358	AR	.	.	.	HOUSING, 3 POSITION
- 17	1471028	AR	.	.	.	PIN, 14-20 AWG-LARGE INSULATION
- 18	1608350	AR	.	.	.	CIIP
- 19	1608497	AR	.	.	.	PIN
- 20	1608573	AR	.	.	.	CONNECTOR
- 21	1608649	AR	.	.	.	CONNECTOR, 15 POS PLUG
- 22	1618295	AR	.	.	.	COVER, CONNECTOR-TOP
- 23	1621173	AR	.	.	.	SCREW, MACH-PAN HD M3 X 12MM LG
- 23A	1621846	AR	.	.	.	SCREW, THD FORM-PAN HD M3.5 X 10MM LG
- 24	1622401	AR	.	.	.	NUT, HEX M3 X 5.5 PL WSHR

FIGURE- INDEX NUMBER	PART NUMBER	UNITS PER ASM.	DESCRIPTION			
			1	2	3	4
21	- 25	1655336	AR	.	.	CONNECTOR
	- 25A	1655338	AR	.	.	PLUG
	- 26	1655337	AR	.	.	SOCKET CONTACT 20-24 AWG
	- 27	1655339	AR	.	.	PIN CONTACT 20-24 AWG
	- 27A	1655359	AR	.	.	PIN
	- 28	1812491	AR	.	.	HOUSING, FEMALE CONTACTS
	- 29	1812492	AR	.	.	HOUSING, CONNECTOR MALE
	- 30	1847521	AR	.	.	TERMINAL PIN
	- 31	1847523	AR	.	.	TERMINAL PIN
	- 32	1847531	AR	.	.	HOUSING
	- 33	1855555	AR	.	.	HOOD, CABLE CLAMP
	- 34	2637679	AR	.	.	CONNECTOR, DISCRETE 22-26 AWG
	- 35	2637680	AR	.	.	HOUSING 1X4
	- 35A	2637684	AR	.	.	HOUSING 1 X 12
	- 35C	2731389	AR	.	.	HOUSING 2 X 12
	- 35D	2731390	AR	.	.	HOUSING 1 X 20
	- 35E	2731397	AR	.	.	HOUSING
	- 35F	2731406	AR	.	.	HOUSING 1 X 10
	- 35G	2731835	AR	.	.	HOUSING ASM, POLARIZED - 1 X 4
	- 35H	2731837	AR	.	.	HOUSING
	- 35J	2731838	AR	.	.	HOUSING
	- 35K	2731850	AR	.	.	HOUSING
	- 35L	2732354	AR	.	.	HOUSING 1 X 5
	- 35M	2637694	AR	.	.	HOUSING, MINI-ROD-4 POS
	- 36	2637681	AR	.	.	PIN, CONTACT 18-20 AWG
	- 36A	2637682	AR	.	.	PIN, CONTACT 22-26 AWG
	- 36B	2637690	AR	.	.	CONNECTOR, DISCRETE
	- 36C	2637691	AR	.	.	CONNECTOR, DISCRETE WIRE- 22-26 AWG
	- 37	2637689	AR	.	.	INSERT, PLASTIC
	- 38	2731392	AR	.	.	HOUSING- 2 X 8 LEFT POLARIZED
	- 38A	8324648	AR	.	.	HOUSING 2 X 18
	- 39	2732335	AR	.	.	HOUSING 1 X 2
	- 40	2767389	AR	.	.	COVER, CABLE
	- 41	2767390	AR	.	.	CLAMP, CABLE
	- 42	2767645	AR	.	.	RIVET
	- 43	2777214	AR	.	.	HOUSING, TEN POSITION
	- 44	2777216	AR	.	.	CONNECTOR, DISCRETE WIRE 14-18 AWG
	- 45	4177465	AR	.	.	COVER, CONNECTOR-TOP
	- 46	4177633	AR	.	.	COVER, CABLE TOP
	- 47	4177635	AR	.	.	COVER, CABLE BOTTOM
	- 48	5162880	AR	.	.	TELEPHONE JACK, FEMALE
	- 49	5214570	AR	.	.	PIN
	- 50	5214571	AR	.	.	CONTACT, FEMALE 26-22 AWG
	- 51	5214572	AR	.	.	CONNECTOR HOUSING, FEMALE CONTACTS
	- 52	5214573	AR	.	.	CONNECTOR, HALF
	- 53	5302661	AR	.	.	CONNECTOR, COAXIAL
	- 54	5342956	AR	.	.	HOOD & STRAIN RELIEF, 15 POSITION
	- 55	5343332	AR	.	.	NUT
	- 56	5353852	AR	.	.	CONTACT-FEMALE, NO. 16-20 WIRE
	- 57	5412642	AR	.	.	TERMINAL, PIN 16-14 AWG
	- 58	5412643	AR	.	.	TERMINAL, SOCKET 16-14 AWG
	- 59	5642732	AR	.	.	RETAINER, CABLE
	- 60	5642780	AR	.	.	RETAINER
	- 61	5761882	AR	.	.	HOUSING
	- 62	7364498	AR	.	.	CONNECTOR, TWINAXIAL
	- 63	7364587	AR	.	.	RETAINER, PLATE
	- 64	8331569	AR	.	.	HOOD, STRAIN RELIEF
	- 65	811804	AR	.	.	CARD GUIDE, 2-WIDE
	- 66	813181	AR	.	.	EXTENDER
	- 67	813590	AR	.	.	CARD GUIDE, 4-WIDE
	- 68	2731384	AR	.	.	PIN, DISCRETE WIRE 22-26 AWG
	- 69	167338	AR	.	.	CLAMP-WITH ATT PT
	- 70	32042	AR	.	.	SCREW, MACH-BIND HD 10-32 X 3/8 LG
	- 71	11598	AR	.	.	NUT, HEX 10-32
	- 72	483925	AR	.	.	LUG
	- 73	1618147	AR	.	.	RECEPTACLE, START-STOP

NUMERICAL INDEX

PART NO.	LIST AND INDEX NO.	PART NO.	LIST AND INDEX NO.	PART NO.	LIST AND INDEX NO.	PART NO.	LIST AND INDEX NO.
1940	10 - 26	1618007	10 - 37	1752347	16 - 9	2767389	21 - 40
	10 - 36	1618093	2 - 4	1752355	16 - 9	2767390	21 - 41
11598	21 - 71		3 - 4	1752820	16 - 7	2767645	21 - 42
22478	8 - 13		3 - 10	1752826	16 - 5	2777208	10 - 33
32042	21 - 70	1618113	15 - 1	1752827	16 - 7	2777214	21 - 43
35229	7 - 20	1618132	21 - 1	1752831	16 - 10	2777216	21 - 44
	7 - 26	1618133	21 - 1	1752833	16 - 5	2777220	10 - 23
	8 - 3	1618134	21 - 1	1752874	16 - 10	2777225	3 - 13
	8 - 13	1618135	21 - 1	1757221	16 - 7		10 - 12
35739	10 - 24A	1618136	21 - 1	1757224	16 - 5	2777226	10 - 23
49374	5 - 2	1618147	21 - 73	1757225	16 - 7	2777227	10 - 23
	7 - 12	1618155	20 - 17	1757228	16 - 5	2777230	10 - 30
56079	2 - 25		21 - 1	1761228	15 - 10	2777232	10 - 16
	3 - 6	1618158	15 - 1	1761229	15 - 10	2777237	10 - 24
	10 - 4	1618184	2 - 15	1786825	16 - 13	4176591	10 - 23
56787	3 - 69		10 - 13	1812491	21 - 28	4176596	10 - 8
167338	21 - 3	1618211	10 - 22	1812492	21 - 29	4176603	10 - 23
179946	6 - 17A	1618213	4 - 1	1847521	21 - 30	4176604	10 - 23
186925	21 - 4	1618214	4 - 11	1847523	21 - 31	4176642	2 - 3
219633	21 - 5	1618218	13 - 5	1847531	21 - 32		3 - 3
236915	4 - 3	1618264	10 - 37	1853134	21 - 1	4176783	2 - 17
237032	10 - 35	1618295	21 - 22	1855555	21 - 33		10 - 11
393528	2 - 1	1621170	6 - 5	1861398	16 - 4	4176793	10 - 40
322065	2 - 7		6 - 8	1863870	16 - 2	4176794	10 - 41
	3 - 8		6 - 16	1863871	16 - 3	4177465	21 - 45
	3 - 12		6 - 20	1864454	16 - 6	4177503	10 - 14
341200	21 - 6	1621173	21 - 23	1865344	16 - 1	4177521	3 - 1
356742	2 - 2	1621182	7 - 29	2122639	1 - 17	4177567	13 - 6A
	3 - 9	1621184	2 - 26	2181005	15 - 13	4177572	2 - 16
	14 - 16		3 - 7	2200751	6 - 10	4177633	21 - 46
	20 - 18	1621190	5 - 8	2252881	13 - 1B	4177635	21 - 47
357433	1 - 17		7 - 24	2305493	6 - 17	4177637	11 - 2
483644	21 - 7		10 - 1	2397045	1 - 20	4177665	10 - 3
483648	21 - 8		10 - 15	2420986	10 - 37		21 - 1
483676	21 - 9		20 - 19	2449349	10 - 38	4177666	21 - 1
483677	21 - 9A	1621191	20 - 27	2455586	1 - 2	4177667	10 - 5
483678	21 - 9B	1621192	4 - 2	2461749	12 - 10	4177700	1 - 21A
483680	21 - 9C		7 - 27	2461752	12 - 11		21 - 1
483681	21 - 9D		8 - 12	2461753	12 - 11	4177708	1 - 22
483682	21 - 9E		20 - 6	2462574	7 - 14	4177721	21 - 1
483693	21 - 10		20 - 10	2462685	5 - 10	4177724	15 - 14
483695	21 - 10A	1621194	3 - 14		7 - 19	4177739	1 - 26
483698	21 - 10B		8 - 10		8 - 2	4177741	1 - 15
483699	21 - 11		15 - 5		8 - 15	4177824	20 - 17B
483925	21 - 72	1621202	10 - 29	2462686	7 - 2	4177825	20 - 17A
515661	20 - 9	1621312	10 - 20		7 - 18	4177826	1 - 26
	20 - 18	1621327	5 - 4		9 - 4	4177829	4 - 13
524519	2 - 14	1621672	7 - 8	2546641	2 - 22		7 - 30
	12 - 16		7 - 11		3 - 11	4240485	4 - 8
	20 - 36	1621719	8 - 7	2596291	8 - 6	4240486	4 - 7
526378	14 - 21	1621846	12 - 14	2637679	21 - 34	4240504	4 - 6
532393	2 - 19A		21 - 23A	2637680	21 - 35	4240505	4 - 6
	20 - 26	1621857	10 - 27	2637681	21 - 36	4240508	4 - 6
730432	12 - 8	1622302	6 - 7	2637682	21 - 36A	4240509	4 - 6
	13 - 2	1622401	21 - 24			4240512	4 - 6
	14 - 8	1622402	3 - 5	2637684	21 - 35A	4240513	4 - 6
811804	21 - 65		7 - 31	2637689	21 - 37	4240516	4 - 6
813181	20 - 44	1622403	2 - 6			4240517	4 - 6
	21 - 66		7 - 22	2637690	21 - 36B	4240551	5 - 11
813590	21 - 67		7 - 25	2637691	21 - 36C	4240552	5 - 12
815933	21 - 12		10 - 21	2637694	21 - 35H	4240555	5 - 7
815934	21 - 12A		11 - 6	2657843	16 - 12	4240556	5 - 5
816983	2 - 5		14 - 3	2731384	21 - 68	4240557	5 - 3
836008	8 - 5		14 - 5	2731389	21 - 35C	4240558	8 - 19
1028618	5 - 6		14 - 23	2731390	21 - 35D	4240567	8 - 19
1073418	6 - 12		20 - 7	2731392	21 - 38	4240570	8 - 18
1127037	21 - 13		20 - 11	2731397	21 - 35E	4240573	6 - 6
1166114	21 - 14	1655336	21 - 25	2731406	21 - 35F	4240574	7 - 1
1166115	21 - 15	1655337	21 - 26	2731835	21 - 35G	4240576	7 - 1
1455358	21 - 16	1655338	21 - 25A	2731837	21 - 35H	4240577	7 - 23
1471028	21 - 17	1655339	21 - 27	2731838	21 - 35J	4240579	7 - 23
1608267	1 - 4	1655358	21 - 26A	2731850	21 - 35K	4240580	7 - 13
	1 - 13	1655359	21 - 27A	2732335	21 - 39	4240582	7 - 15
1608277	1 - 7	1655419	10 - 18	2732354	21 - 35L	4240583	7 - 15
1608350	21 - 18		10 - 32	2743535	6 - 13	4240584	9 - 3
1608427	1 - 16	1734234	10 - 6	2743536	6 - 14	4240587	8 - 8
1608497	21 - 19	1748132	16 - 12	2744256	1 - 18	4240588	8 - 8
1608573	21 - 20	1752328	16 - 9	2766961	10 - 7	4240589	7 - 5
1608649	21 - 21	1752332	16 - 9		20 - 21	4240592	7 - 16
1611347	12 - 15	1752341	16 - 9		20 - 35	4240593	5 - 9

PART NO.	LIST AND INDEX NO.	PART NO.	LIST AND INDEX NO.	PART NO.	LIST AND INDEX NO.	PART NO.	LIST AND INDEX NO.
4240594	6 - 2	5642731-COMT	13 - 7	7364260	1 - 11	8324648	21 - 38A
4240596	6 - 1	5642732	21 - 59	7364263	1 - 1	8331528	2 - 6B
4240599	6 - 19	5642762	21 - 1	7364271	20 - 17	8331569	21 - 64
4240600	6 - 4	5642765	1 - 21		20 - 34	8496595	16 - 11
4240601	6 - 3	5642767	1 - 21		21 - 1		
4240604	8 - 11	5642780	21 - 60	7364273	20 - 2		
4240605	8 - 11	5642782	3 - 15		20 - 33		
4240610	8 - 17	5642825	2 - 8		21 - 2		
4240614	7 - 10	5642839	2 - 24	7364276	2 - 18		
4240615	6 - 9		10 - 2	7364281	4 - 5		
4240617	6 - 11	5700530	1 - 19	7364282	14 - 4		
4240620	6 - 9	5761783	10 - 28	7364285	20 - 13		
4240631	7 - 6	5761795	10 - 19		20 - 46		
4240632	7 - 17	5761882	21 - 61		21 - 2		
4240638	9 - 1	5994526	21 - 1	7364286	20 - 13		
4240642	6 - 15	6043419	15 - 6	7364290	2 - 13		
4240644	7 - 9	6043420	15 - 6	7364291	20 - 16		
4240653	8 - 1	7362021	14 - 18		20 - 29		
4240655	8 - 1	7362130	20 - 31		20 - 37		
4240659	7 - 28	7362253	12 - 3		21 - 2		
4240661	7 - 7	7362267	21 - 1	7364292	20 - 24		
4240662	7 - 7	7362338	15 - 2		20 - 41		
4240663	7 - 4	7362385	2 - 20		21 - 2		
4240666	8 - 14		3 - 2	7364363	20 - 16		
4240667	8 - 14		4 - 4		20 - 30		
4240671	8 - 9		4 - 10		20 - 45		
4240673	8 - 8		10 - 9		21 - 2		
4240675	8 - 8		11 - 1	7364367	11 - 4		
4240677	8 - 1		12 - 7		13 - 6		
4240679	8 - 1		14 - 2	7364371	1 - 5		
4240681	8 - 4		14 - 12	7364390	13 - 1		
4240683	7 - 3		14 - 14	7364392	13 - 1A		
4240684	7 - 3		20 - 8	7364463	11 - 5		
4240685	8 - 20		20 - 14		14 - 15		
4240724	9 - 2	7362406	14 - 6		14 - 19		
4240726	9 - 2	7362471	11 - 2	7364464	10 - 34		
4429607	12 - 5	7362506	15 - 7	7364465	14 - 1		
5162880	21 - 48	7362508	14 - 17	7364466	1 - 6		
5183362	16 - 8	7362553	10 - 25	7364467	14 - 13		
5213276	20 - 5	7362846	21 - 1	7364475	12 - 13		
5214366	10 - 17	7362847	21 - 1	7364481	1 - 25		
5214551	10 - 39	7363808	15 - 11	7364482	1 - 10		
5214570	21 - 49	7363921	15 - 12	7364496	2 - 23		
5214571	21 - 50	7364103	4 - 9	7364498	21 - 62		
5214572	21 - 51	7364141	2 - 10	7364532	14 - 24		
5214573	21 - 52	7364143	2 - 11	7364533	14 - 24		
5214966	10 - 31	7364150	2 - 9	7364534	14 - 24		
5252840	14 - 20	7364157	20 - 23	7364535	14 - 24		
5302661	21 - 53		20 - 38	7364536	14 - 24		
5342956	21 - 54	7364160	4 - 12	7364537	14 - 24		
5343332	21 - 55		21 - 1	7364538	14 - 24		
5353852	21 - 56	7364200	1 - 3	7364539	14 - 24		
5412642	21 - 57	7364202	1 - 24	7364540	14 - 24		
5412643	21 - 58	7364207	20 - 40	7364541	14 - 24		
5552875	15 - 3		21 - 1	7364542	14 - 24		
5552876	1 - 9	7364208	21 - 1	7364543	14 - 24		
	1 - 23	7364211	11 - 7	7364544	14 - 24		
5552896	10 - 10		20 - 4	7364563	15 - 8		
5554146	15 - 4		20 - 12		21 - 2		
5562019	6 - 18		20 - 22	7364566	20 - 15		
	7 - 21		20 - 39		20 - 28		
	8 - 16		21 - 1		20 - 43		
5562071	5 - 1	7364212	21 - 1		21 - 2		
5587600	16 - 7	7364215	14 - 7	7364569	2 - 21		
5587603	16 - 5		20 - 1	7364582	1 - 8		
5642675	1 - 27		21 - 1	7364585	21 - 2		
5642677	1 - 28	7364219	4 - 6A	7364586	13 - 4		
5642697	21 - 1		20 - 3	7364587	21 - 63		
5642698	4 - 12		20 - 25	7364602	13 - 9		
	20 - 19A		20 - 42		14 - 10		
	21 - 1		21 - 1	7364608	12 - 4		
5642708	2 - 19	7364229	20 - 2	7364632	13 - 8		
5642709	1 - 12		20 - 20		14 - 11		
5642713	20 - 32		21 - 1	7364639	12 - 9		
	21 - 1	7364230	21 - 1	7364656	2 - 12		
5642715	12 - 12	7364255	21 - 1	7364693	14 - 24		
5642717	13 - 3	7364256	21 - 1	7364694	14 - 24		
5642725	14 - 22	7364257	21 - 1	7364698	12 - 2		
5642729	1 - 14	7364258	21 - 1	7364699	12 - 1		
5642731	11 - 3	7364259	21 - 1	8272288	12 - 6		

READER'S COMMENT FORM

Please use this form only to identify publication errors or request changes to publications. Technical questions about IBM systems, changes in IBM programming support, requests for additional publications, etc. should be directed to your IBM representative or to the IBM branch office nearest your location.

Error in publication (typographical, illustration, and so on). **No reply.**

Page Number Error

Inaccurate or misleading information in this publication. Please tell us about it by using this postage-paid form. We will correct or clarify the publication, or tell you why a change is not being made, provided you include your name and address.

Page Number Comment

IBM may use and distribute any of the information you supply in any way it believes appropriate without incurring any obligation whatever. You may, of course, continue to use the information you supply.

● No postage necessary if mailed in the U.S.A.

Name _____

Address _____

cut Along Line

Fold and tape

Please do not staple

Fold and tape



NO POSTAGE
NECESSARY IF
MAILED IN THE
UNITED STATES

BUSINESS REPLY MAIL
FIRST CLASS PERMIT NO. 40 ARMONK, N. Y.



POSTAGE WILL BE PAID BY . . .

IBM CORPORATION
General Systems Division
Information Design and Development
Department 997
11400 Burnet Road
Austin, Texas 78757

Fold and tape

Please do not staple

Fold and tape



International Business Machines Corporation

General Systems Division
4111 Northside Parkway N.W.
P.O. Box 2150
Atlanta, Georgia 30055
(U.S.A. only)

General Business Group/International
44 South Broadway
White Plains, New York 10601
U.S.A.
(International)



International Business Machines Corporation

**General Systems Division
4111 Northside Parkway N.W.
P.O. Box 2150
Atlanta, Georgia 30055
(U.S.A. only)**

**General Business Group/International
44 South Broadway
White Plains, New York 10601
U.S.A.
(International)**

IBM 5281/5285 Data Stations Parts Catalog S131-0633-1 Printed in Canada