



**Maintenance Library**

**3742**

**Dual Data Station  
Parts Catalog**

**PREFACE**

This Illustrated Parts Catalog (IPC) contains listing and illustrations of all replaceable assemblies, subassemblies and detail parts released to Production Control on or before July 1, 1976.

**CONTENTS**

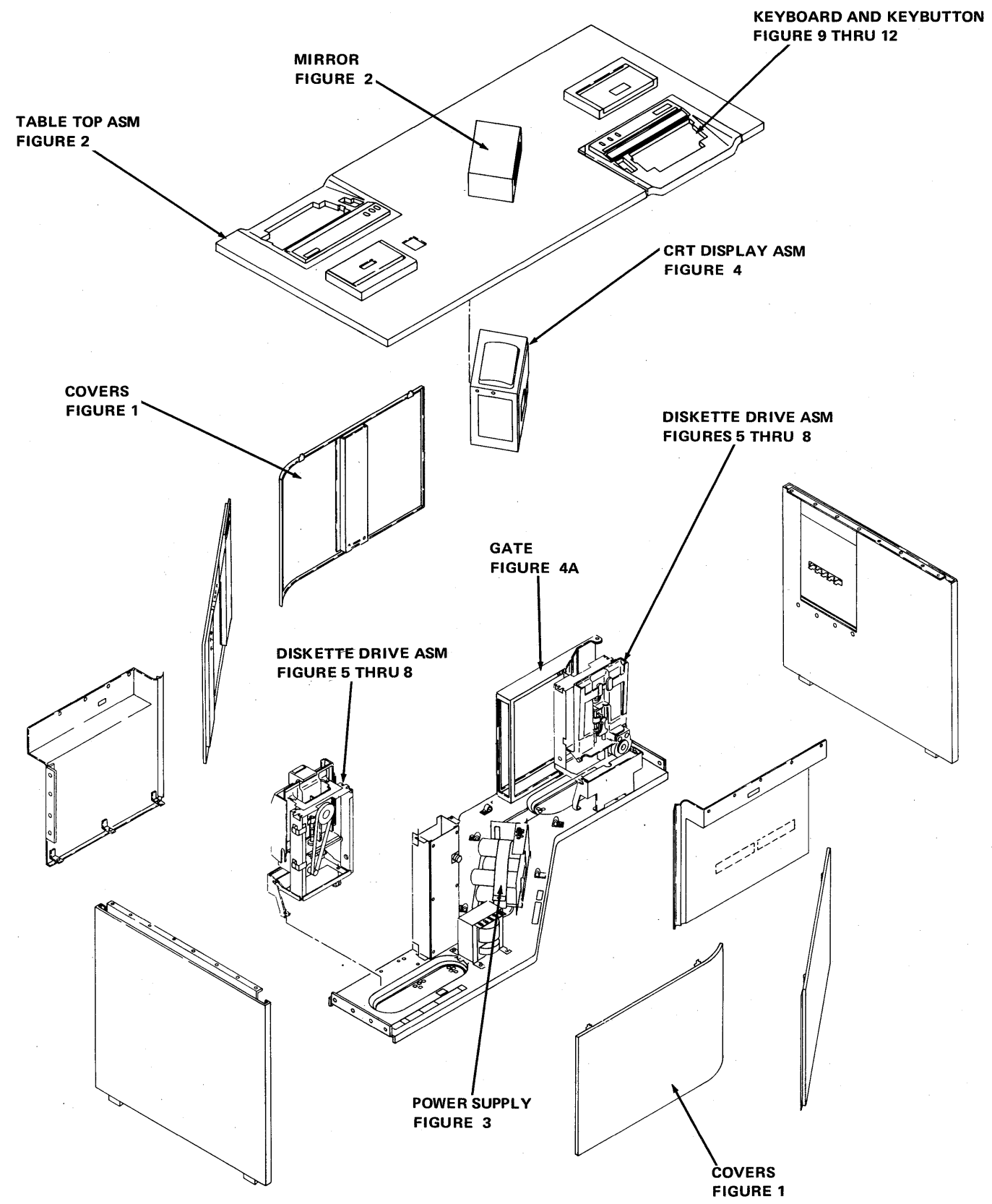
FIGURE	TITLE	PAGE
	Visual Index . . . . .	1
1	Covers and Mounting Hardware . . . . .	3
2	Table Top Asm. . . . .	5
3	Frame Asm. . . . .	7
4	CRT Display Asm. . . . .	11
4A	Plainer Assembly . . . . .	13
5	Diskette Drive Asm . . . . .	15
6	Diskette Storage Drive Asm . . . . .	17
7	Baseplate Asm. . . . .	19
8	Plate Asm, Diskette Clamping . . . . .	21
9	Keyboard Asm., Old Style . . . . .	23
10	Keyboard Asm., New Style . . . . .	25
11	Keyboard Chart . . . . .	27
12	Keybutton Chart, Dual Station . . . . .	29
13	Cable Routing . . . . .	33
	Numerical Index . . . . .	X-1

**Third Edition (July 1976)**

Changes are continually made to the specifications herein; any such change will be reported in subsequent revisions or technical newsletters.

A form for reader's comments is provided at the back of this publication. If this form has been removed, comments may be addressed to IBM Corporation, Publications, Department 245, Rochester, Minnesota 55901.

3742



VISUAL INDEX

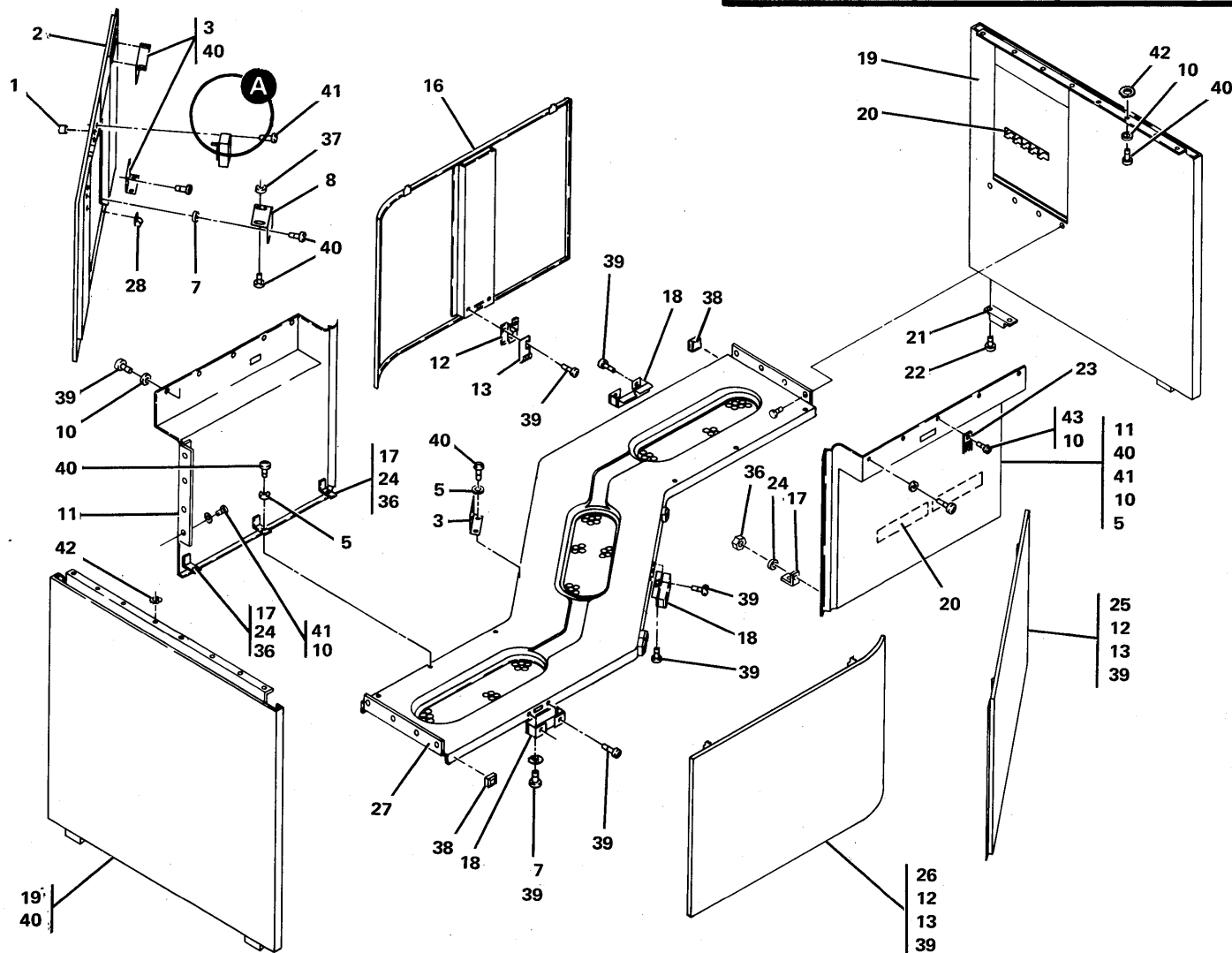
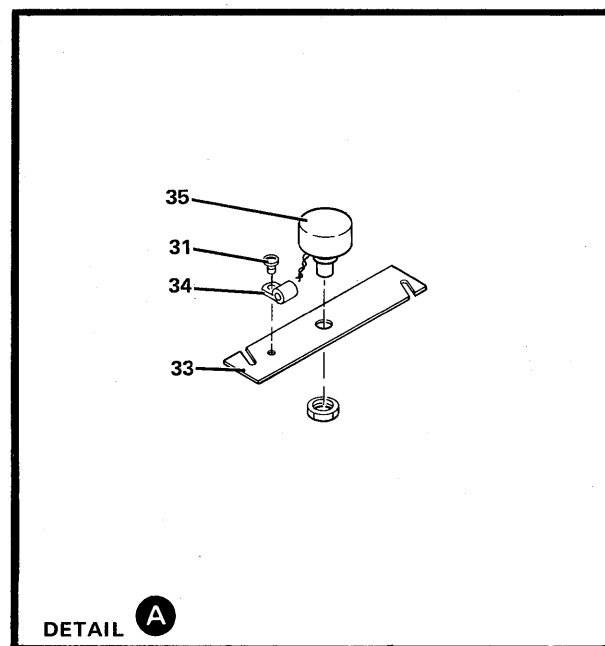


FIGURE 1. COVERS AND MOUNTING HARDWARE. SEE LIST 1.

FIGURE-INDEX NUMBER	PART NUMBER	DESCRIPTION	1 2 3 4				UNITS PER ASM.	USABLE ON CODE
			1	2	3	4		
1	NO NO.	COVERS AND MOUNTING HARDWARE-3742 FOR ILLUSTRATION SEE FIG. 1						
- 1	2526979	• KNCP					1	
- 2	2456204	• COVER-SPECIFY COLOR AND MACHINE SERIAL NUMBER					1	
- 3	2456229	• BRACKET					3	
- 5	600395	• WASHER, FLAT 13/64 ID X 3/4 OD X 3/32 THK					12	
- 7	56079	• LOCKWASHER, EXT TOOTH 3/16 ID X 13/32 OD					8	
- 8	2456225	• BRACKET					AR	
- 10	1940	• WASHER, FLAT NO. 10 X 9/16 OD X 3/64 THK					24	
- 11	2456213	• SKIRT, MODESTY-SPECIFY COLOR AND MACHINE S/N					2	
- 12	2455559	• LATCH ASM					3	
- 13	2455570	• SPRING					6	
- 16	1610617	• COVER-BLUE					1	
- 16	1610628	• COVER-RED					1	
- 16	1611350	• COVER-YELLOW					1	
- 16	1611417	• COVER-GREY					1	
- 17	2455666	• BRACKET					6	
- 18	2455560	• LATCH					3	
- 19	2456205	• LEG-IF THE FINISH ON THE LEG IS SMOOTH, BOTH LEGS MUST BE REPLACED					1	
- 20	2277522	• RACEWAY					3	
- 21	2455585	• GLIDE					4	
- 22	5353301	• SCREW, MACH-BD HD 1/4-20 X 7/16 LG					8	
- 23	2101089	• GROUND STRAP					2	
- 24	45690	• WASHER, FLAT NO. 10 X 7/16 OD X 1/32 THK					3	
- 25	1610614	• COVER-BLUE					1	
- 25	1610626	• COVER-RED					1	
- 25	1611349	• COVER-YELLOW					1	
- 25	1611416	• COVER-GREY					1	
- 26	1610613	• COVER-BLUE					1	
- 26	1610624	• COVER-RED					1	
- 26	1610634	• COVER-YELLOW					1	
- 26	1611415	• COVER-GREY					1	
- 27	2456200	• FRAME					1	
- 28	2162905	• CLAMP					1	
- 31	10170	• SCREW, MACH-BD HD 6-32 X 1/4 LG					2	
- 33	2456171	• PLATE					1	
- 34	169698	• CLAMP					1	
- 35	2455605	• POTENTIOMETER					1	
- 36	11598	• NUT, HEX 10-32					6	
- 37	600560	• LOCKWASHER					1	
- 38	2455667	• BUMPER					6	
- 39	2181004	• SCREW, THD FORM-HEX WSHR HD 10-32 X 3/8 LG					AR	
- 40	5372858	• SCREW, THD FORM-HEX WSHR HD 10-32 X 1/2 LG					AR	
- 41	5319854	• SCREW, THD FORM-HEX WSHR HD 8-32 X 3/8 LG					AR	
- 42	76574	• LOCKWASHER, EXT TOOTH 1/4 ID X 1/2 OD					2	
- 43	5349929	• SCREW, THD FORM-HEX WSHR HD 8-32 X 1/2 LG					2	

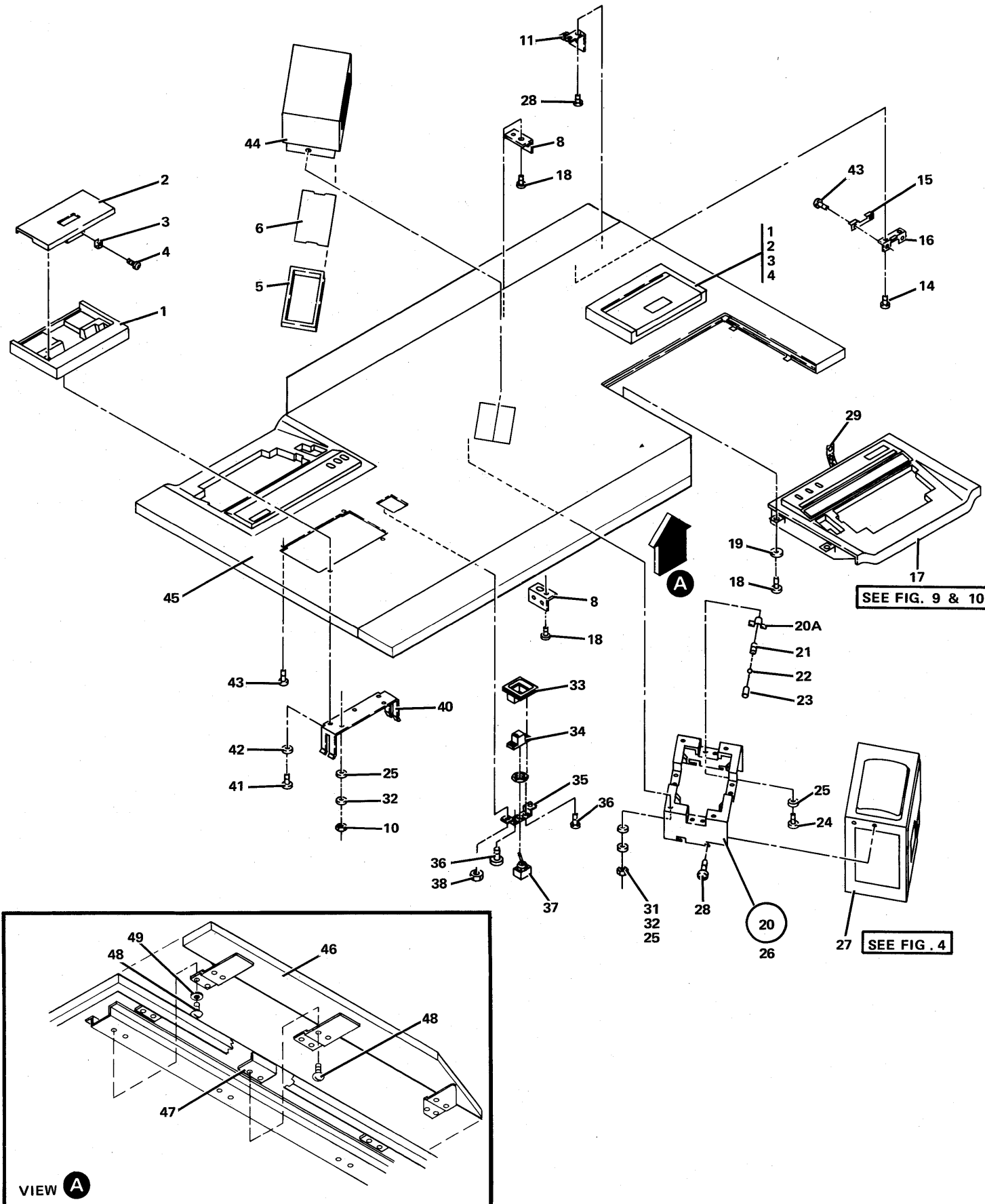


FIGURE 2. TABLE TOP ASM. SEE LIST 2.

FIGURE-INDEX NUMBER	PART NUMBER	DESCRIPTION	1 2 3 4				UNITS PER ASM.	USABLE ON CODE
2 -	NO NO.	TABLE TOP ASM FOR ILLUSTRATION SEE FIG. 2						
- 1	2456457	• BEZEL					1	
- 2	2456456	• DCCR, DISK DRIVE TOP COVER					2	
- 3	336628	• CLIP					4	
- 4	35739	• SCREW, MACH-BD HD 6-32 X 7/16 LG					4	
- 5	2456343	• SEAL					1	
- 6	2456344	• FILTER					1	
- 8	2456380	• BRACKET					2	
- 10	11598	• NUT, PLAIN HEX 10-32 X 3/8 LG					2	
- 11	2456201	• BRACKET-WITH STUD					1	
- 14	221790	• SCREW, MACH-BIND HD 8-32 X 3/16 LG					24	
- 15	2456231	• PLATE					6	
- 16	2456206	• BRACKET					6	
- 17	NO NC.	• KEYBOARD ASM FOR DETAIL BREAKDOWN SEE LIST 9 AND 10					1	
- 18	5372858	• SCREW, THD FORM-HEX WSHR HD 10-32 X 1/2 LG					8	
- 19	600395	• WASHER, FLAT 13/64 ID X 3/4 OD X 3/32 THK					8	
- 20	2456717	• BALL LATCH ASM					1	
- 20A	2456208	• BRACKET					1	
- 21	2456449	• BARREL					4	
- 22	186946	• BALL					4	
- 23	300548	• SPRING					4	
- 24	28413	• SCREW, MACH-BD HD 10-32 X 5/16 LG					8	
- 25	45690	• WASHER, FLAT NO. 10 X 7/16 OD X 1/32 THK					18	
- 26	2456118	• BRACKET					1	
- 27	2455600	• CRT DISPLAY ASM FOR DETAIL BREAKDOWN SEE LIST 4					1	
- 28	2181004	• SCREW, THD FORM-HEX WSHR HD 10-32 X 3/8 LG					2	
- 29	2101089	• GROUND STRAP					1	
- 31	11598	• NUT, HEX 10-32					4	
- 32	9092	• LOCKWASHER, SPL IT 3/16 ID X 11/32 OD					10	
- 33	2455588	• HGUSING					1	
- 34	1610674	• HGUSING-SPANISH					1	
- 34	2590417	• HGUSING-GERMAN					1	
- 34	2590418	• HOUSING-FRENCH					1	
- 34	2590419	• HOUSING-ITALIAN					1	
- 34	2590467	• HOUSING-ENGLISH					1	
- 35	2456207	• BRACKET					1	
- 36	91610	• SCREW, THD CTG-BD HD NO. 6 X 1/2 LG					2	
- 37	2595296	• SWITCH					1	
- 38	11598	• NUT, PLAIN 10-32					2	
- 40	2456454	• GUIDE					1	
- 41	5349929	• SCREW, THD FORM-HEX WSHR HD 8-32 X 1/2 LG					4	
- 42	1940	• WASHER, FLAT NO. 10 X 9/16 OD X 3/64 THK					4	
- 43	5319854	• SCREW, THD FORM-HEX WSHR HD 8-32 X 3/8 LG					AR	
- 44	2456320	• MIRROR ASM-COMPONENT PARTS ARE NOT REPLACABLE					1	
- 45	2456212	• TABLE TOP					1	
- 46	2456234	• BGARD					2	
- 47	2456235	• BRACKET					6	
- 48	2180701	• SCREW, MACH, BUTTON HD 10-32 X 1/2 LG					24	
- 49	600395	• WASHER, FLAT 3/4 OD X 13/64 ID X 3/32 THK					12	

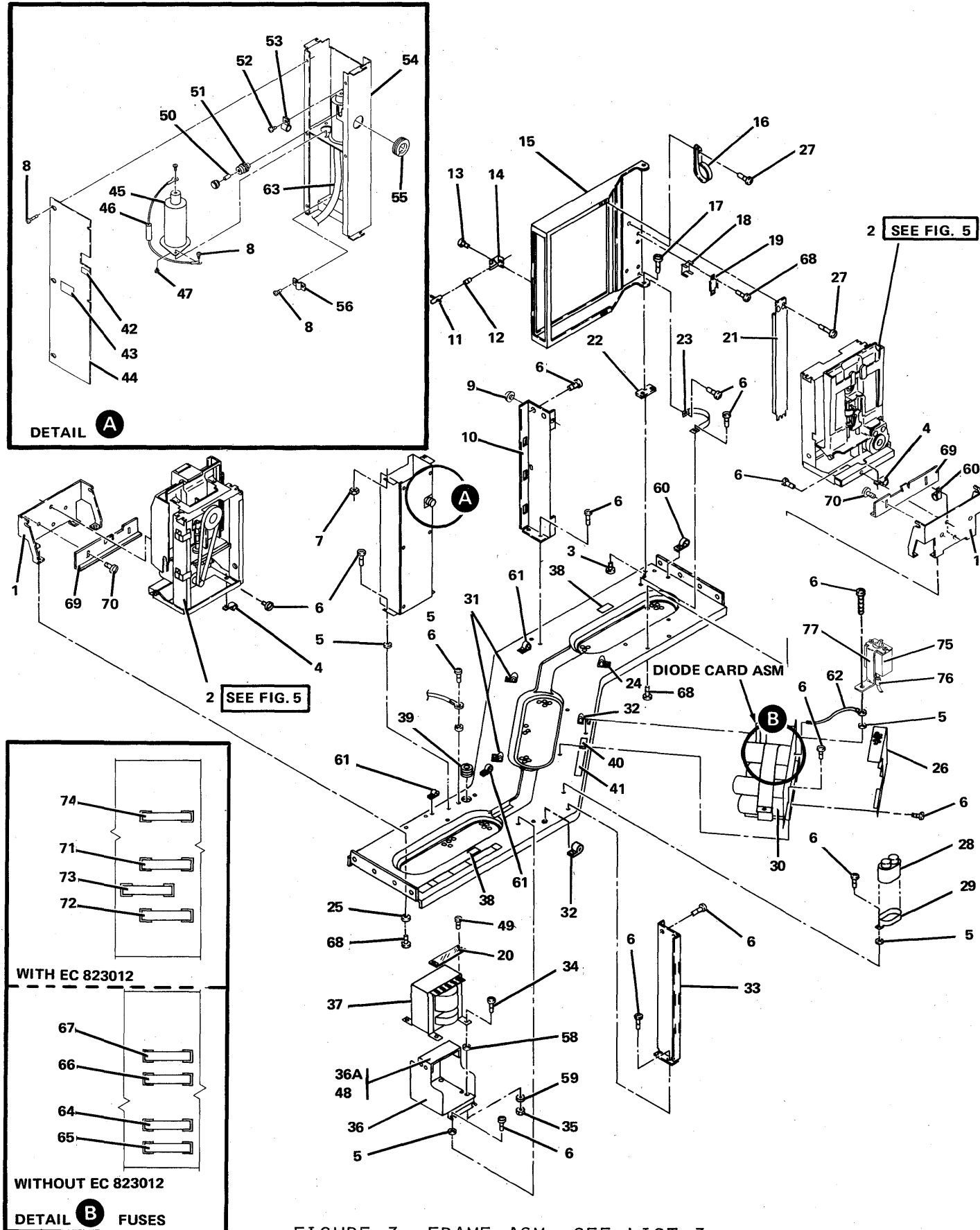


FIGURE 3. FRAME ASM. SEE LIST 3.

FIGURE-INDEX NUMBER	PART NUMBER	DESCRIPTION	1 2 3 4				UNITS PER ASM.	USABLE ON CODE
			1	2	3	4		
3	NO NO.	FRAME ASM FOR ILLUSTRATION SEE FIG. 3						
- 1	2456453	• BRACKET					2	
- 2	2456450	• DISKETTE DRIVE ASM, 60 HZ, 100/110/115V					2	
- 2	2455098	• DISKETTE DRIVE ASM, 60 HZ, 200/208/230V					2	
- 2	2456395	• DISKETTE DRIVE ASM, 50 HZ, 100/110/123.5V					2	
- 2	2456455	• DISKETTE DRIVE ASM, 50 HZ, 200/220/235V					2	
- 2		FOR DETAIL BREAKDOWN SEE LIST 5						
- 3	34512	• SCREW, MACH-BD HD 8-32 X 3/8 LG					20	
- 4	2162901	• CLAMP					2	
- 5	56079	• LOCKWASHER, EXT TOOTH 3/16 ID X 13/32 OD					7	
- 6	2181004	• SCREW, THD FORM-HEX WSHR HD 10-32 X 3/8 LG					AR	
- 7	257189	• NUT, HEX 8-32					2	
- 8	2181005	• SCREW, THD FORM-HEX WSHR HD 6-32 X 3/8 LG					AR	
- 9	2455822	• BUMPER					2	
- 10	2456381	• STRUT					1	
- 11	2456388	• PLUNGER					1	
- 12	2229116	• SPRING					1	
- 13	10170	• SCREW, MACH-BINC HD 6-32 X 1/4 LG					11	
- 14	2456348	• BRACKET					1	
- 15	2456316	• GATE					1	
- 16	532393	• CLAMP					4	
- 17	597014	• SCREW, SHOULDER					1	
- 18	2456419	• GUIDE					1	
- 19	2456425	• CLAMP					1	
- 20	352825	• SHIELD-DOMESTIC					1	
- 20	5762582	• SHIELD-WTC					1	
- 21	2456194	• BAR					1	
- 22	2456407	• PIVCT					1	
- 23	2101089	• GRCOND STRAP					1	
- 24	2162927	• CLAMP					1	
- 25	1940	• WASHER, FLAT NO. 10					8	
- 26	2456630	• SHIELD-USED ON POWER SUPPLY WITH DIODE CARD					1	
- 26	2456991	• SHIELD-USED ON POWER SUPPLY WITHOUT DIODE CARD					1	
- 27	5319854	• SCREW, THD FORM-HEX WSHR HD 8-32 X 3/8 LG					AR	
- 28	5252695	• CAPACITOR-USED IN COUNTRIES NOT BANNING PCB					1	
- 28	5252840	• CAPACITOR-USED IN COUNTRIES BANNING PCB					1	
- 29	2456608	• BRACKET-USED IN COUNTRIES NOT BANNING PCB					1	
- 29	5404092	• BRACKET-USED IN COUNTRIES BANNING PCB					1	
- 30	2455744	• POWER SUPPLY ASM-WITH DIODE BOARD					1	
- 30		USED ON MACHINES WITHOUT EC 823012						
- 30	2456043	• POWER SUPPLY ASM-WITHOUT DIODE BOARD					1	
- 30		USED ON MACHINES WITH EC 823012						
- 31	2162926	• CLAMP					1	
- 32	2162905	• CLAMP					2	
- 33	2455747	• STRUT					1	
- 34	332620	• SCREW, MACH-BD HD 10-32 X 1/2 LG					4	
- 35	11598	• NUT, HEX 10-32					4	
- 36	2455049	• BRACKET, WTC 50 HZ, JAPAN 50/60 HZ					1	
- 36A	2455059	• STRAP					1	
- 37	2455737	• TRANSFORMER, 60 HZ 115V					1	
- 37	2455755	• TRANSFORMER, 60 HZ 208/230V					1	
- 37	4119395	• TRANSFORMER, 50 HZ 110/123.5/220/230V WTC					1	
- 37	4119396	• TRANSFORMER, 60 HZ 100/115/200/208/230V JAPAN					1	
- 37	4119397	• TRANSFORMER, 50 HZ 100/110/123.5/200/220/235V JAPAN					1	
- 38	369207	• LABEL					2	
- 39	123077	• GROMMET					1	
- 40	2538125	• LABEL					1	
- 41	683406	• LABEL					1	
- 42	2456629	• LABEL					1	
- 43	138754	• LABEL					1	
- 44	2456228	• CGVER					1	
- 45	2192519	• CAPACITOR, 0.01 MF 60 HZ 40A					2	
- 46	2455260	• RESISTOR 1 MEG OHM 1 WATT					2	
- 47	236849	• SCREW, MACH-BINC HD 10-32 X 1/4 LG					6	
- 48	32042	• SCREW, MACH-BD HD 10-32 X 3/8 LG					4	
- 49	10170	• SCREW, MACH-BD HD 6-32 X 1/4 LG					2	
- 50	338165	• FUSE, 100/115/123.5V 3A					1	
- 50	1176668	• FUSE, 200/208/220/230/235V 1.5A FUSE					1	
- 51	2456367	• FUSEHOLDER					1	
- 52	2181011	• SCREW, THD FORM-HEX WSHR HD 6-32 X 1/2 LG					3	
- 53	303514	• CLAMP					1	
- 54	2456236	• POWER BOX					1	
- 55	651213	• GROMMET					1	



FOR PARTS  
NOT SHOWN  
SEE FIG. 2

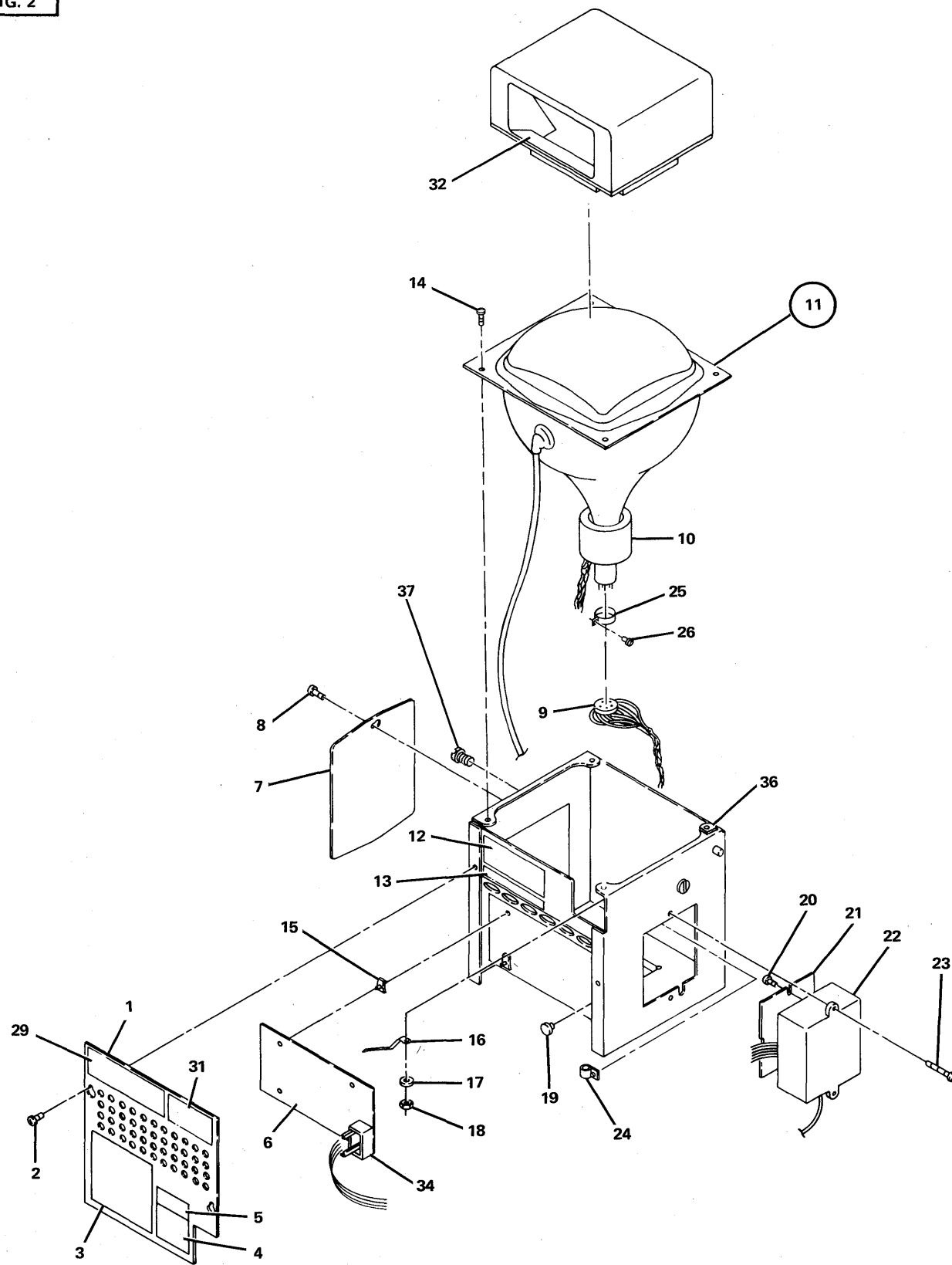


FIGURE 4. CRT DISPLAY ASM. SEE LIST 4.

FIGURE- INDEX NUMBER	PART NUMBER	DESCRIPTION				UNITS PER ASM.	USABLE ON CODE
		1	2	3	4		
4 -	2455600	CRT DISPLAY ASM FOR NEXT HIGHER ASM SEE LIST 2-27 AND FOR ILLUSTRATION SEE FIG. 4					
-	1	2455644	. SHIELD			1	
-	2	5319854	. SCREW, SELF TAP 8-32 X 3/8 LG			2	
-	3	2455577	. LABEL, VOLTAGES			1	
-	4	5719139	. LABEL, WARNING			1	
-	5	369207	. LABEL, HAZARDOUS AREA			1	
-	6	2455595	. CARD ASM			1	
-	7	2456413	. PLATE			1	
-	8	5319854	. SCREW, SELF TAP 8-32 X 3/8 LG			2	
-	9	2456699	. SOCKET ASM			1	
-	10	2455601	. YOKE ASM			1	
-	11	2455625	. CHASSIS AND TUBE ASM			1	
-	12	2455661	. LABEL			1	
-	13	2538125	. LABEL			1	
-	14	5319854	. SCREW, THD FORM 8-32 X 3/8 LG			4	
-	15	2455623	. SUPPORT			4	
-	16	2565041	NR . SPRING-USED ONLY ON MACHINES PRIOR TO EC823238			1	
-	17	1090873	. LOCKWASHER, SPLIT 3/16 ID X 5/16 OD			1	
-	18	257189	. NUT, HEX 8-32			1	
-	19	198982	. BUMPER			1	
-	20	251970	. SCREW, MACH-BD HD 4-40 X 1/4 LG			2	
-	21	2456340	. COVER			1	
-	22	2455603	. CONVERTER ASM			1	
-	23	5349929	. SCREW, SELF TAP 8-32 X 1/2 LG			2	
-	24	2162901	. CLAMP			1	
-	25	2455649	. CLAMP, YOKE			1	
-	26	5349929	. SCREW, SELF TAP 8-32 X 1/2 LG			1	
-	29	2456709	. LABEL, CAUTION			1	
-	31	2455810	. LABEL-WITHOUT PRINTER			1	
-	31	2455811	. LABEL-WITH PRINTER			1	
-	32	2456320	. MIRROR ASM-COMPONENT PARTS ARE NOT REPLACABLE			1	
-	34	2456372	. CABLE ASM, DISPLAY SIGNAL			1	
-	36	308426	. SPEED NUT			1	
-	37	2181004	. SCREW, THD FORM-HEX WSHR HD 10-32 X 3/8 LG			2	



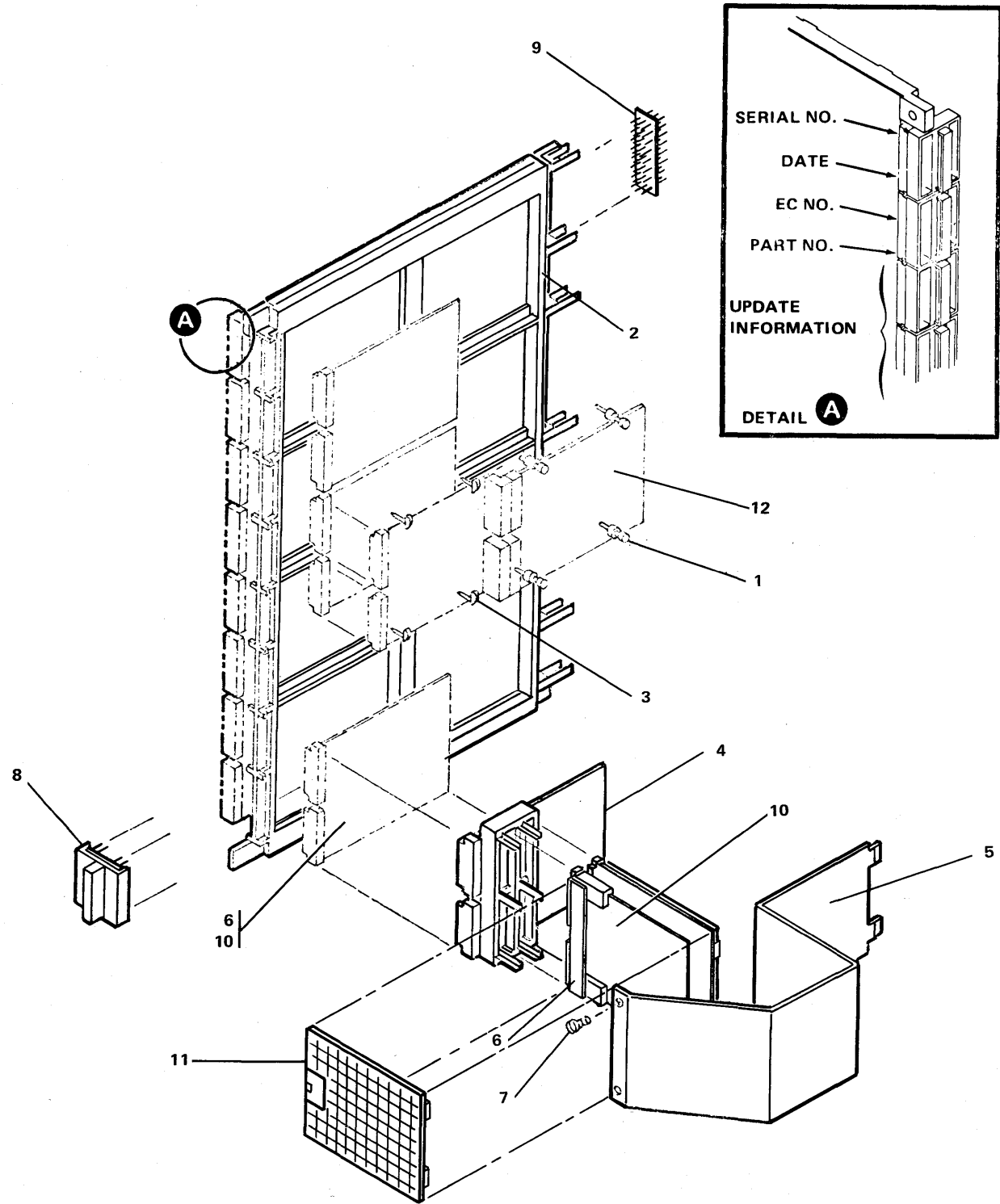


FIGURE 4A. GATE ASSEMBLY. SEE LIST 4A.

FIGURE-INDEX NUMBER	PART NUMBER	DESCRIPTION	UNITS PER ASM.	USABLE ON CODE
4A -	NG NG.	GATE ASM FOR ILLUSTRATION SEE FIG. 4A		
- 1	2455377	• MOUNTING CLIP	AR	
- 2	2731007	• STIFFENER	AR	
- 3	2632773	• MOUNTING CLIP	AR	
- 4	2455860	• CARD ASM-SOCKET	AR	
- 5	2455553	• RETAINER ASM	AR	
- 6	811804	• CARD GUIDE	AR	
- 7	5319854	• SCREW	AR	
- 8	2731026	• Crossover CONNECTOR	AR	
- 9	2731011	• SEG ASM	AR	
- 10	8238725	• CARD ASM-MEMORY	AR	
- 11	819624	• COVER	AR	
- 11		USED WITH EC 825962		
- 12	245545	• CARD ASM-ROS	AR	

FOR PARTS  
NOT SHOWN  
SEE FIG. 3

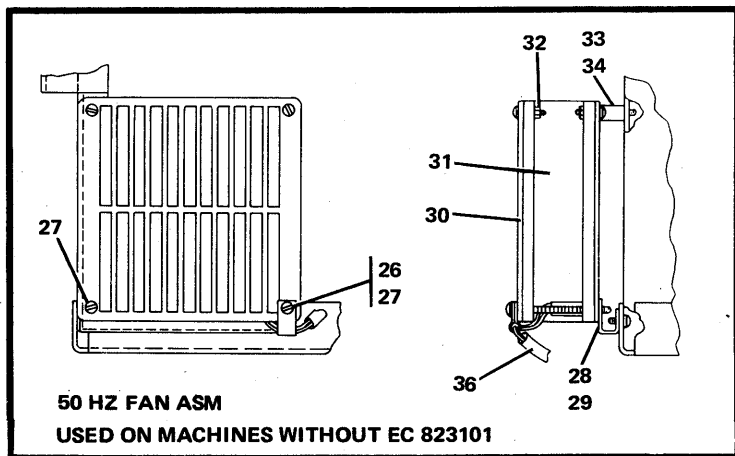
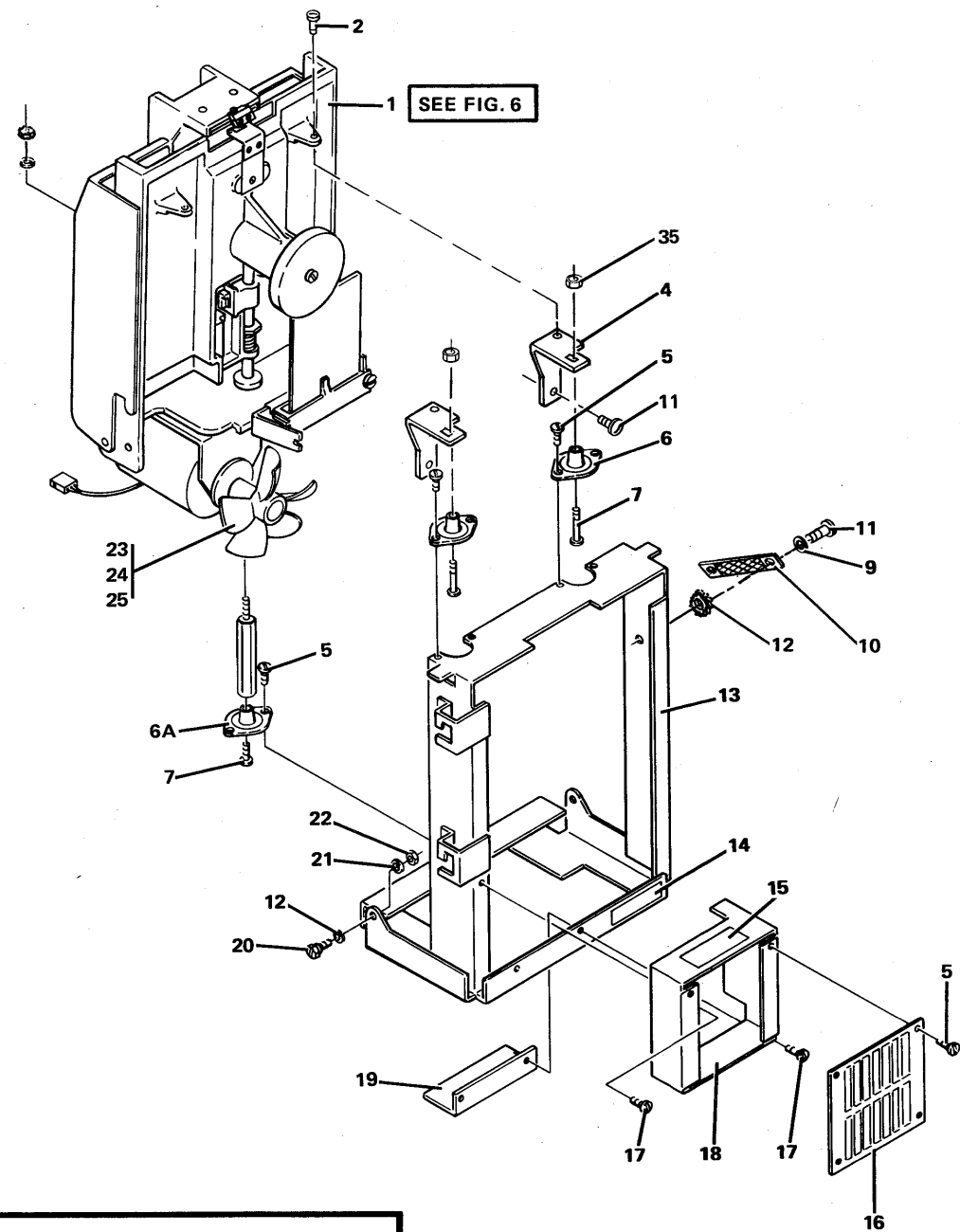


FIGURE 5. DISKETTE DRIVE ASM. SEE LIST 5.

FIGURE- INDEX NUMBER	PART NUMBER	DESCRIPTION	1 2 3 4				UNITS PER ASM.	USABLE ON CODE
5	2456450	DISKETTE DRIVE ASM, 60 HZ, 100/110/115V						
-	2455098	DISKETTE DRIVE ASM, 60 HZ, 200/208/230V						
-	2456395	DISKETTE DRIVE ASM, 50 HZ, 100/110/123.5V						
-	2456455	DISKETTE DRIVE ASM, 50 HZ, 200/220/235V						
-	-	FOR NEXT HIGHER ASM SEE LIST 3-2 AND FOR ILLUSTRATION SEE FIG. 5						
-	1	2305455					1	
-	1	2305457					1	
-	1	2305454					1	
-	1	2305456					1	
-	1	-					FOR DETAIL BREAKDOWN SEE LIST 6	
-	2	5349929					2	
-	4	2456990					2	
-	5	2181005					10	
-	6	2455575					2	
-	6A	2455576					1	
-	7	308785					2	
-	9	1940					2	
-	10	2101089					1	
-	11	2181004					4	
-	12	56079					2	
-	13	2455571					1	
-	14	2455036					1	
-	15	369207					1	
-	16	2455733					1	
-	17	2181005					3	
-	18	2455816					1	
-	19	2455818					1	
-	20	2456489					2	
-	21	9092					1	
-	22	2456409					2	
-	23	2455814					1	
-	24	25627					1	
-	25	600395					1	
-	26	5213276					1	
-	27	438572					2	
-	28	2455584					1	
-	29	58207					2	
-	30	2455733					2	
-	31	2455819					1	
-	31	2455820					1	
-	32	257187					1	
-	33	2455824					1	
-	34	381002					1	
-	35	72828					2	
-	36	2455599					1	

FOR PARTS  
NOT SHOWN  
SEE FIG. 5

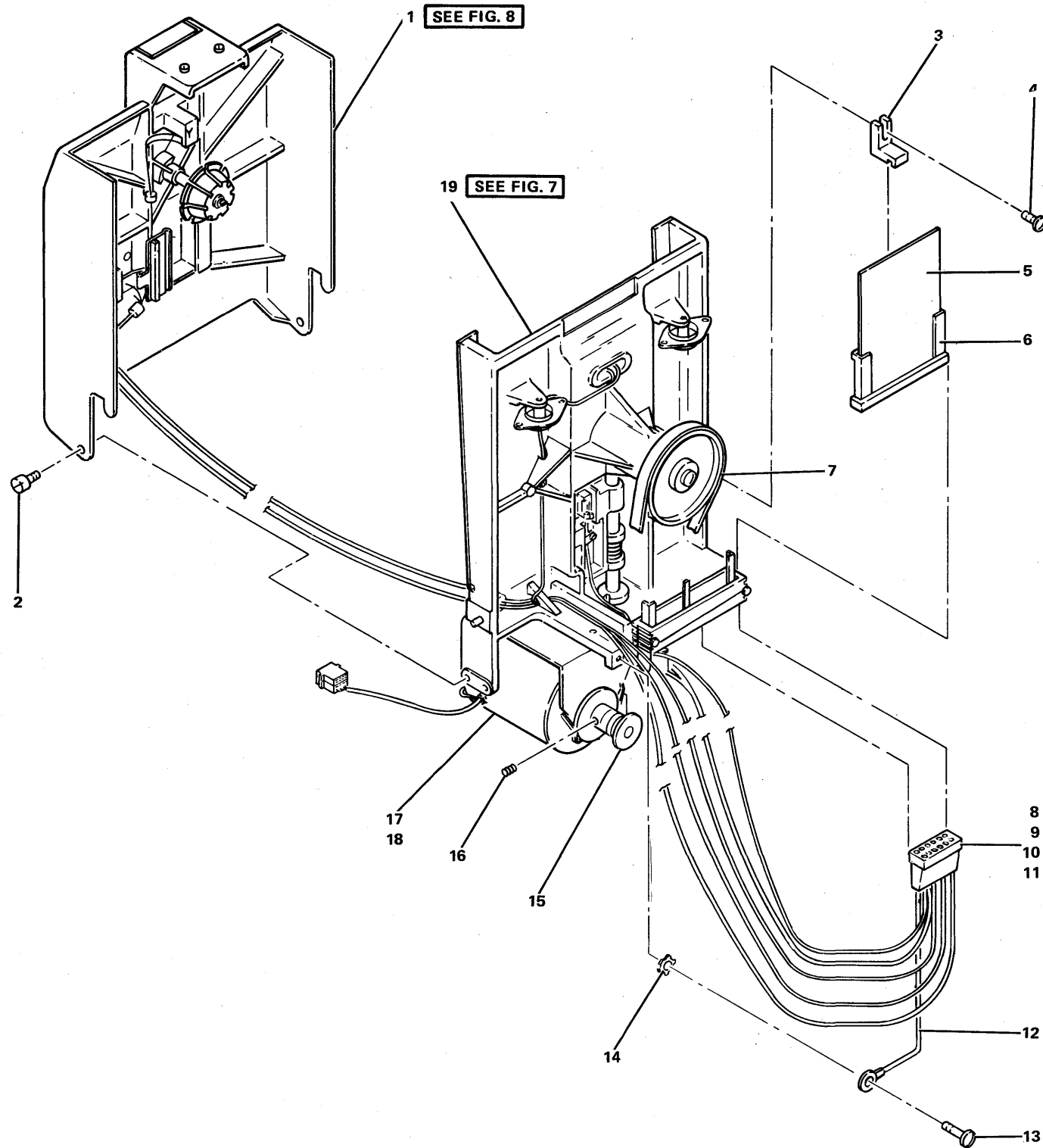


FIGURE 6. DISKETTE STORAGE DRIVE ASM. SEE LIST 6.

FIGURE- INDEX NUMBER	PART NUMBER	1 2 3 4	DESCRIPTION	UNITS PER ASM.	USABLE ON CODE
6 -	2305455		DISKETTE STORAGE DRIVE ASM, 60 HZ, 100/123.5V		
-	2305457		DISKETTE STORAGE DRIVE ASM, 50 HZ, 100/123.5V		
-	2305454		DISKETTE STORAGE DRIVE ASM, 60 HZ, 200/235V		
-	2305456		DISKETTE STORAGE DRIVE ASM, 50 HZ, 200/235V		
-			FOR NEXT HIGHER ASM SEE LIST 5-1		
-			AND FOR ILLUSTRATION SEE FIG. 6		
- 1	2305602		• CLAMPING PLATE ASM-STANDARD	1	
- 1			FOR DETAIL BREAKDOWN SEE LIST 8		
- 2	2305649		• PIN	2	
- 3	2280297		• HOLDER, CARD	1	
- 4	2181005		• SCREW, THD FORM-HEX WSHR HD 6-32 X 3/8	1	
- 5	8524194		• LOGIC-VTL STANDARD	1	
- 5	8236871		• LOGIC-MST STANDARD	1	
- 6	811804		• CARD GUIDE	1	
- 7	2305616		• BELT	1	
- 8	5447441		• HOUSING	1	
- 9	5466397		• STRAIN RELIEF	2	
- 10	5466393		• CLAMP	2	
- 11	109913		• SCREW, SELF TAP-FLAT HD NO. 4 X 1/2 LG	2	
- 12	2305598		• JUMPER ASM	1	
- 13	5350006		• SCREW, THD CTG-HEX WSHR HD 6-32 X 1/4 LG	1	
- 14	56722		• LOCKWASHER, EXT TOOTH 5/32 ID	1	
- 15	2305631		• PULLEY, 60 HZ	1	
- 15	2305708		• PULLEY, 50 HZ	1	
- 16	257970		• SETSCREW, 6 FLUTE SOC 6-32 X 1/4 LG	1	
- 17	2305675		• MOTOR AND BRACKET ASM, 60 HZ, 110/115V	1	
- 17	2305674		• MOTOR AND BRACKET ASM, 60 HZ, 200/230V	1	
- 17	2305676		• MOTOR AND BRACKET ASM, 50 HZ, 100/123.5V	1	
- 17	2305677		• MOTOR AND BRACKET ASM, 50 HZ, 200/240V	1	
- 18	234341		• SCREW AND WASHER, HEX HD 1/4 X 5/8 LG	2	
- 19	2305700		• BASEPLATE ASM-STANDARD	1	
- 19			FOR DETAIL BREAKDOWN SEE LIST 7		

FOR PARTS  
NOT SHOWN  
SEE FIG. 6

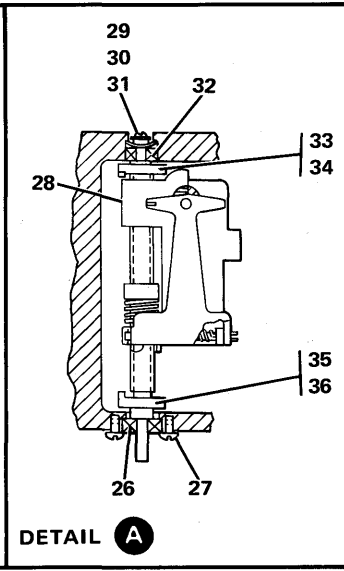
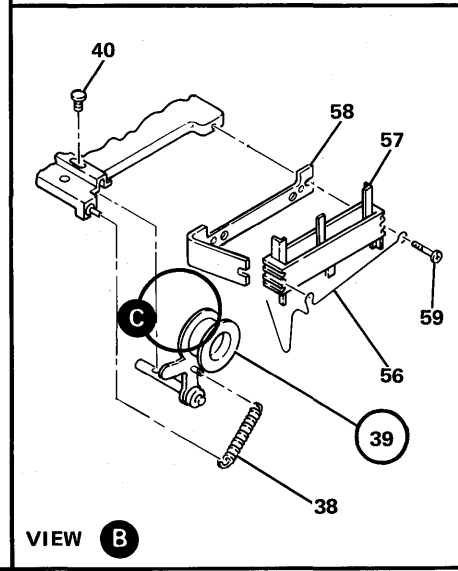
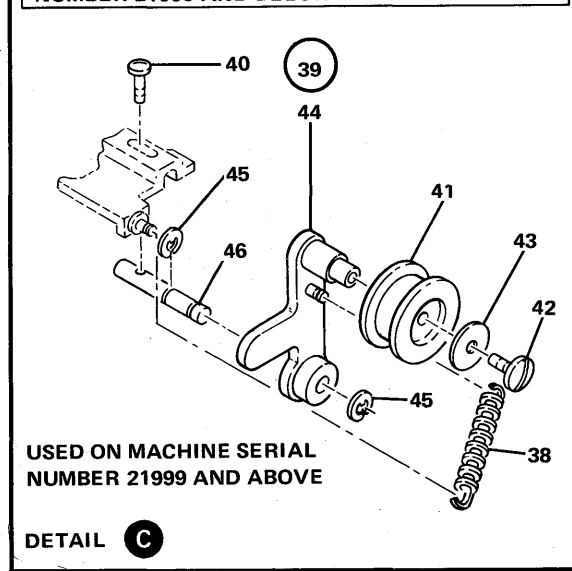
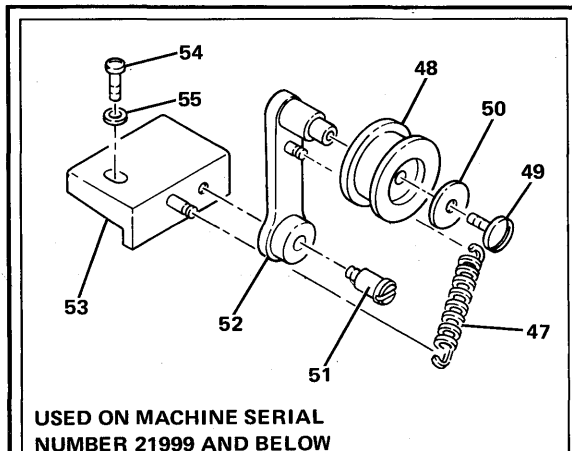
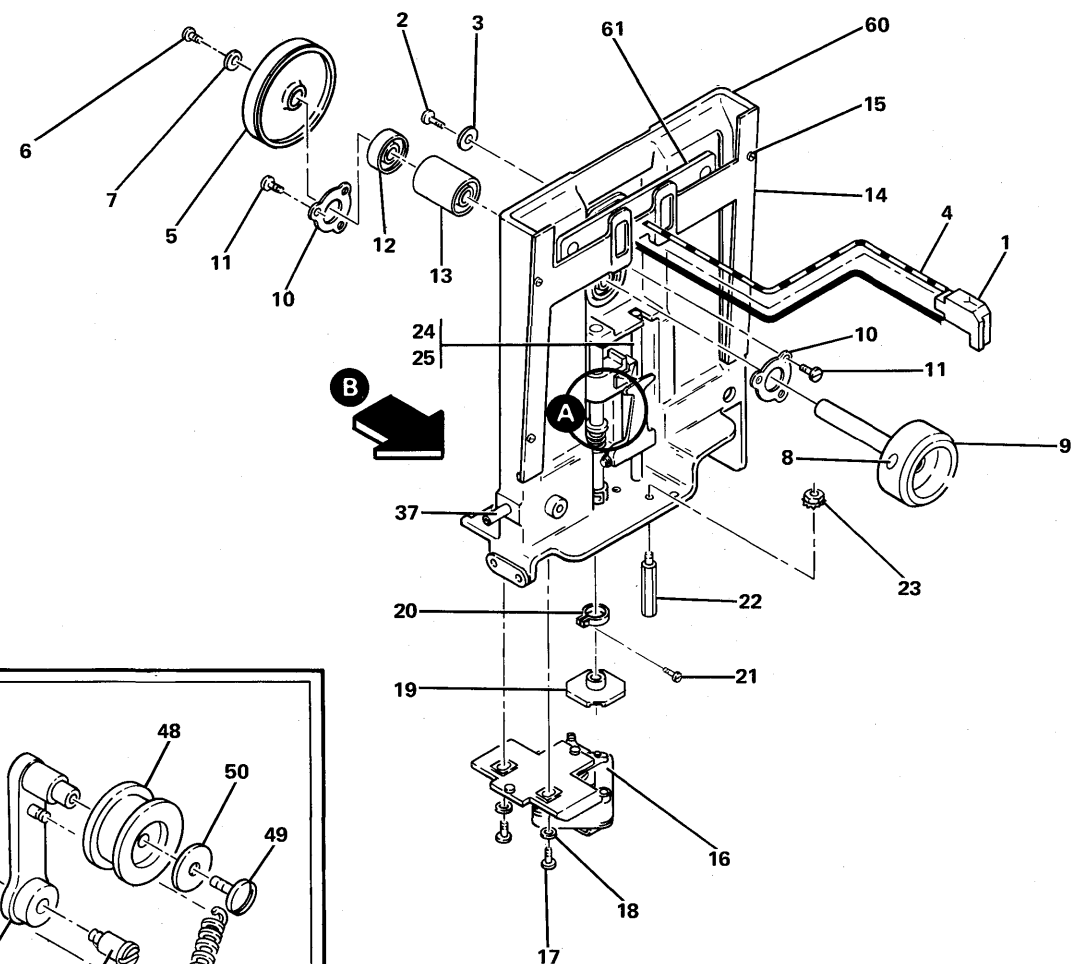


FIGURE 7. BASEPLATE ASM. SEE LIST 7.

FIGURE-INDEX NUMBER	PART NUMBER	DESCRIPTION				UNITS PER ASM.	USABLE ON CODE
		1	2	3	4		
7	2305700	BASEPLATE ASM-STANDARD FOR NEXT HIGHER ASM SEE LIST 6-19 AND FOR ILLUSTRATION SEE FIG. 7					
- 1	2305604	• PHGTOTRANSISTOR ASM				1	
- 2	170225	• SCREW AND LOCKWASHER 6-32 X 7/16 LG				1	
- 3	2130285	• WASHER, FLAT 7/8 OD X 5/32 ID X .05 THK				1	
- 4	2305554	• CABLE ASM				1	
- 5	2305621	• PULLEY				1	
- 6	234331	• SCREW AND LOCKWASHER-FIL HD 10-32 X 1/2 LG				1	
- 7	49374	• WASHER, FLAT NO. 10 X 17/32 OD X .08 THK				1	
- 8	2305572	• LABEL				1	
- 9	2305619	• HUB				1	
- 10	2305546	• RETAINER				2	
- 11	2305547	• SCREW, THD FORM FLAT HD 8-32 X 7/16 LG				6	
- 12	5344991	• BEARING-MATCHED PAIR				1	
- 13	2305620	• SPACER-MATCHED PAIR				1	
- 14	5562061	• GUIDE				1	
- 14	2305659	• GUIDE-MAY BE USED IN WORLD TRADE ONLY				1	
- 15	5700484	• SCREW, THD FORM HEX WSHR HD 4-40 X 3/8 LG				4	
- 16	2305545	• STEP MOTOR ASM				1	
- 17	2195400	• SCREW, THD FORM HEX WSHR HD 8-32 X 5/8 LG				2	
- 18	22478	• WASHER, FLAT 11/64 ID X 3/8 OD X 1/32 THK				2	
- 19	2305544	• WHEEL, LEADSCREW				1	
- 20	5562099	• CLAMP				1	
- 20	4057508	• CLAMP-MAY BE USED IN WORLD TRADE ONLY				1	
- 21	186925	• SCREW, MACH-6 FLUT SOC HD 4-40 X 5/8 LG				1	
- 22	2455574	• STANDOFF				1	
- 23	602721	• NUT, LOCK NO. 10-32				1	
- 24	2305629	• SHAFT				1	
- 25	2305564	• SCREW, MACH-SOC HD 4-40 X 1/2 LG				1	
- 26	2305537	• BEARING				1	
- 27	2305548	• SCREW, MACH-BUTTON HD 6-32 X 5/16 LG				2	
- 28	2305670	• CARRIAGE/LEADSCREW ASM				1	
- 29	338238	• SCREW, MACH-BIND HD 4-40 X 5/16 LG				1	
- 30	2305530	• SPACER				1	
- 31	2305663	• WASHER, SPRING .327 ID X .49 OD X .005 THK				1	
- 32	2305538	• BEARING, UPPER				1	
- 33	2305618	• STOP, TOP				1	
- 34	38250	• SCREW, MACH-FIL HD 2-56 X 3/8 LG				1	
- 35	2305528	• STOP, BOTTOM				1	
- 36	52523	• SCREW, MACH-FIL HD 4-40 X 5/8 LG				1	
- 37	257922	• PIN, SPLIT ROLL				2	
- 38	2305726	• SPRING				1	
- 39	2305552	• IDLER ASM-USED ON MACHINES WITH SERIAL NUMBERS 22000 AND ABOVE				1	
- 40	81693	• SCREW, MACH-BIND HD 6-32 X 3/8 LG				1	
- 41	2305720	• ROLLER				1	
- 42	58207	• SCREW, MACH-BIND HD 8-32 X 1/4 LG				1	
- 43	22478	• WASHER, FLAT .170 ID X .375 OD X .032 THK				1	
- 44	2305718	• ARM				1	
- 45	257982	• RING, RETAINING				2	
- 46	2305725	• SHAFT				1	
- 47	2305721	• SPRING-INDEX NOS. 47 THRU 55, USED ON MACHINES WITH SERIAL NUMBER 21999 AND BELOW				1	
- 48	2305720	• ROLLER				1	
- 49	58207	• SCREW, MACH-BIND HD 8-32 X 1/4 LG				1	
- 50	22478	• WASHER, FLAT .170 ID X .375 OD X .032 THK				1	
- 51	2305713	• STUD, PIVOT				1	
- 52	2305718	• ARM				1	
- 53	2305719	• SUPPORT				1	
- 54	234344	• SCREW AND LOCKWASHER, HEX HD 1/4-20 X 1				1	
- 55	3550	• WASHER, FLAT 1/4 ID X 9/16 OD X .05 THK				1	
- 56	2305555	• GUIDE				1	
- 57	2274833	• CONNECTOR				1	
- 58	2305696	• BRACKET-USED ON MACHINES WITH SERIAL NUMBER 21999 AND BELOW				1	
- 59	2181006	• SCREW, THD FORM HEX WSHR HD 6-32 X 1 LG				2	
- 60	2305549	NR • BASEPLATE ASM				1	
- 61	5554002	• ANTI-STATIC DEVICE MAY NOT BE USED ON SOME MACHINES				1	

FOR PARTS  
NOT SHOWN  
SEE FIG. 6

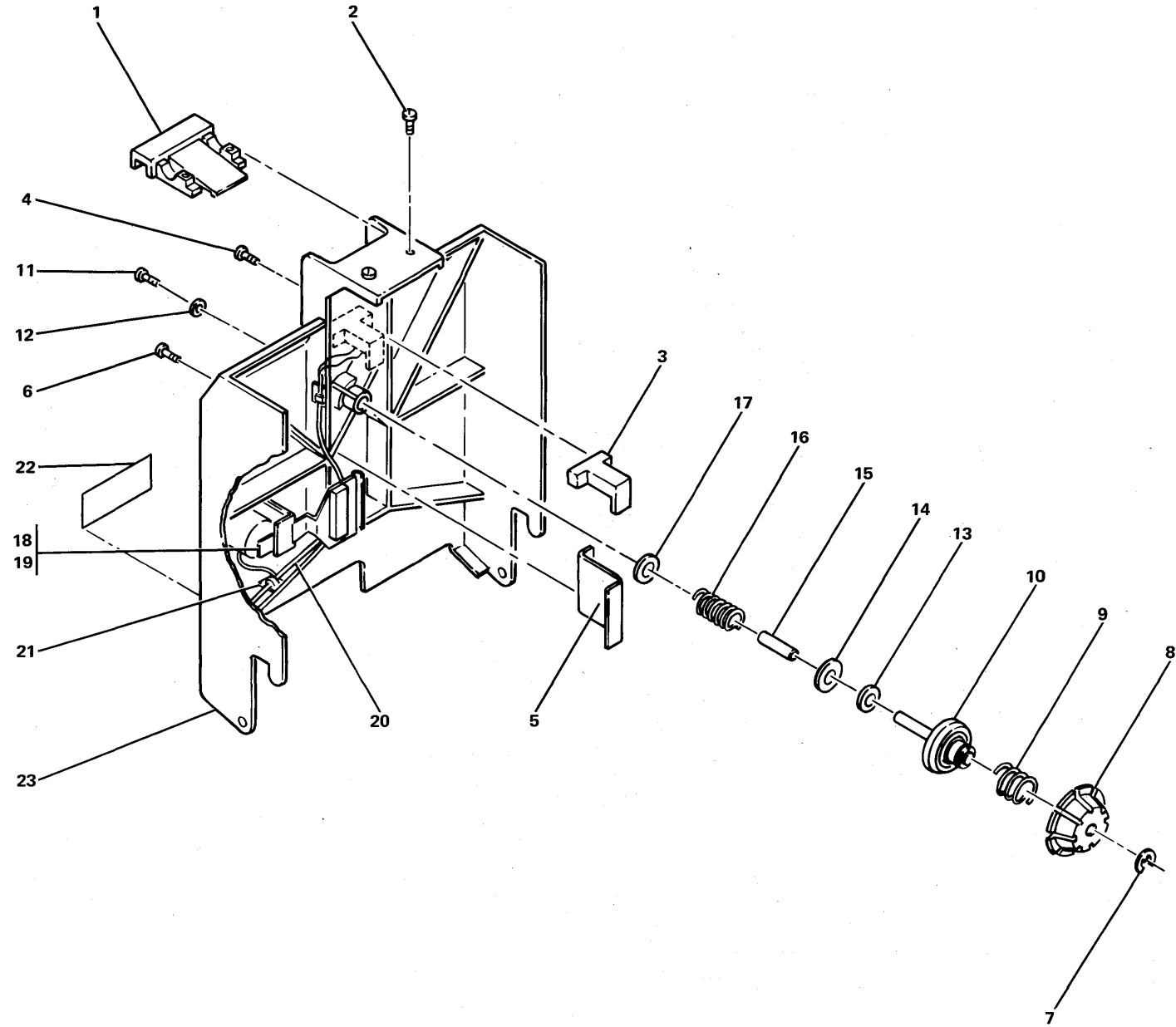


FIGURE 8. PLATE ASM, DISKETTE CLAMPING. SEE LIST 8.

3742

FIGURE- INDEX NUMBER	PART NUMBER	DESCRIPTION	1	2	3	4	UNITS PER ASM.	USABLE ON CODE
8	2305602	PLATE ASM, DISKETTE CLAMPING-STANDARD FOR NEXT HIGHER ASM SEE LIST 6-1 AND FOR ILLUSTRATION SEE FIG. 8						
-	1	2305650	• LATCH-BASIC				1	
-	2	322550	• SCREW, MACH-BIND HD 6-32 X 1/2 LG				2	
-	3	2305656	• LED ASM				1	
-	4	81693	• SCREW, MACH-BIND HD 6-32 X 3/8 LG				2	
-	5	2305690	• TRACK IND ASM				1	
-	6	10170	• SCREW, MACH-BIND HD 6-32 X 1/4 LG				2	
-	7	332747	• RING, RETAINING				1	
-	8	2305644	• COLLET				1	
-	9	2305647	• SPRING				1	
-	10	2305526	• CONE AND SHAFT ASM				1	
-	11	34512	• SCREW, MACH-BIND HD 8-32 X 3/8 LG				1	
-	12	2903	• WASHER, FLAT NO. 6 X 1/2 OD X 1/32 THK				1	
-	13	555427	• SHIM				1	
-	14	25018	• WASHER, FLAT 1/4 ID X 1/2 OD X .046 THK				1	
-	15	2305462	• SLEEVE				1	
-	16	2305646	• SPRING				1	
-	17	120571	• WASHER, FLAT 1/4 ID X 5/8 OD X 1/16 THK				1	
-	18	2305609	• HEAD LOAD ASM				1	
-	19	10170	• SCREW, MACH-BIND HD 6-32 X 1/4 LG				2	
-	20	2305599	• CABLE ASM				1	
-	21	2596275	• CLIP, CABLE				2	
-	22	2305693	• LABEL				1	
-	23	5562062	• PLATE				1	
-	23	2305648	• PLATE-MAY BE USED IN WORLD TRADE ONLY				1	

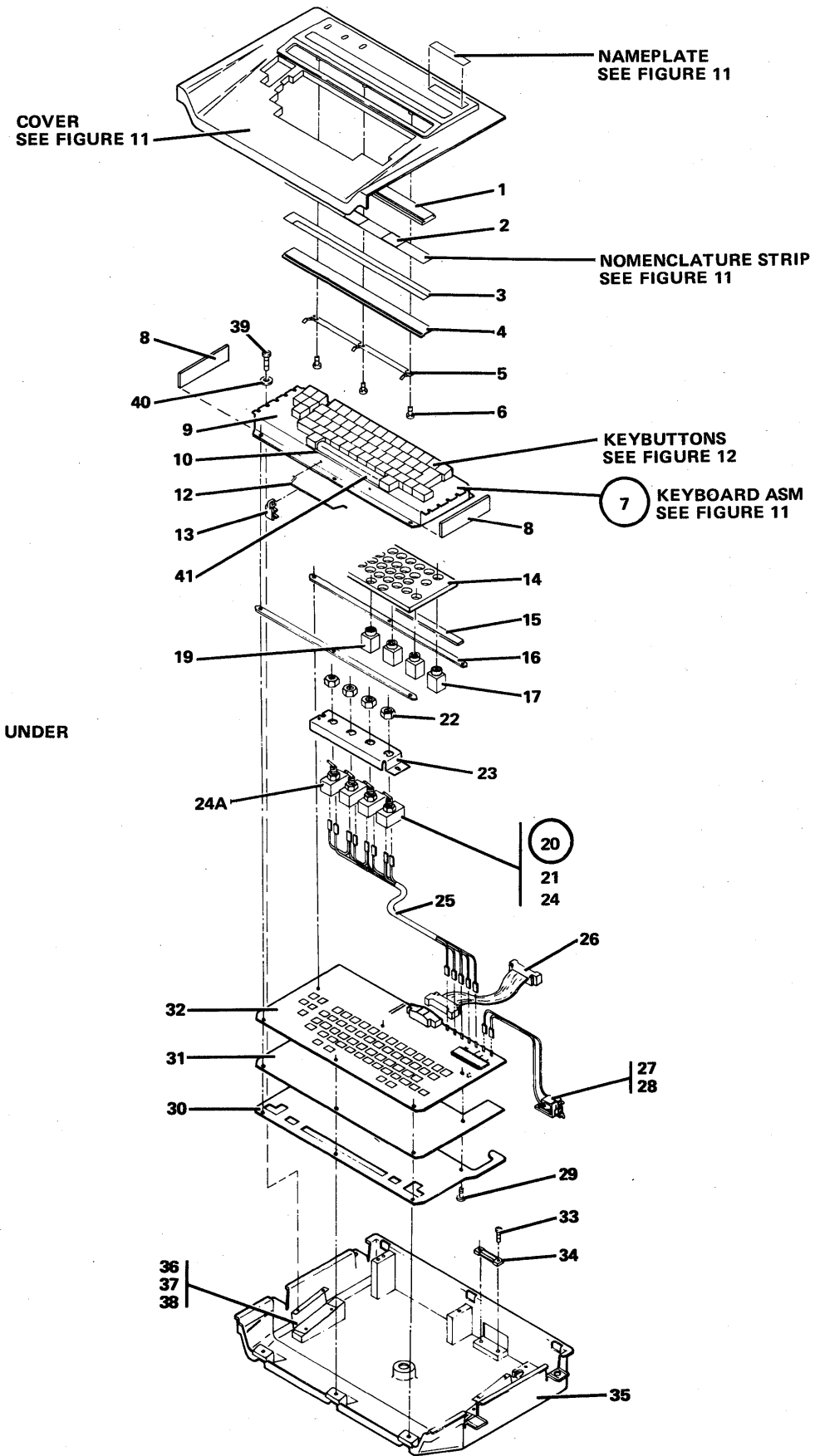


FIGURE 9. KEYBOARD ASM, OLD STYLE. SEE LIST 9.

FIGURE-INDEX NUMBER	PART NUMBER	DESCRIPTION				UNITS PER ASM.	USABLE ON CODE
		1	2	3	4		
9 -	NO NO.	KEYBOARD ASM, OLD STYLE FOR NEXT HIGHER ASM SEE LIST 2-17 AND FOR ILLUSTRATION SEE FIG. 9					
- 1	2455366	. LENS				1	
- 2	2456196	. TAB				AR	
- 3	2456199	. COLOR STRIP				1	
- 4	2455365	. PLATE				1	
- 5	2455367	. RETAINER				1	
- 6	1611347	. SCREW, PAN HD THD FORM 6-19 X 5/16 LG				3	
- 7	NO NO.	. KEYBOARD ASM-SEE CHART ON FIG. 11 FOR FIELD REPLACEABLE UNIT				1	
- 8	1864454	. . FOAM, END PLATE				2	
- 9	1864994	. . PROTECTIVE MEMBRANE				1	
- 10	1610680	. . TAPE				2	
- 12	5995244	. . STABILIZER-NEW STYLE				1	
- 13	5183362	. . PIVOT				2	
- 14	1861397	. . FOAM				1	
- 15	1864447	. . FOAM STRIP				2	
- 16	5183363	. . INSULATOR, PLATE				2	
- 17	1748133	. . KEY MODULE, USED ON ALL KEYS EXCEPT 3C AND 44 FOR MODULES NOT REQUIRING FLYPLATE USE THIS MODULE AND REMOVE FLYPLATE				57	
- 19	5183447	. . KEY MODULE, KEY POSITION 30 AND 44 THE FLYPLATE MUST BE REMOVED FOR THE KEY MODULE TO BE USED IN THIS POSITION				AR	
- 20	2456216	. . SWITCH ASM, 3 SWITCH				1	
- 20	2456217	. . SWITCH ASM, 4 SWITCH				1	
- 21	1611348	. . SCREW, THD FORM BD HD NO. 6-19 X 1/2 LG				AR	
- 22	179743	. . NUT, HEX 15/32-32				AR	
- 23	2455131	. . BRACKET				1	
- 24	1610673	. . SWITCH, TOGGLE				AR	
- 24A	1620065	. . SWITCH, SPDT, INSULATED				1	
- 25	2455148	. . CABLE ASM, 3 SWITCH				1	
- 25	2456292	. . CABLE ASM, 4 SWITCH				1	
- 26	2456460	. . CABLE ASM, KEYBOARD SIGNAL				1	
- 27	2455135	. . CLICKER ASM				1	
- 28	1611348	. . SCREW, THD FORM-BD HD NO. 6-19 X 1/2 LG				2	
- 29	1864511	. . SCREW				6	
- 30	5183420	. . BASE				1	
- 31	5183364	. . INSULATOR				1	
- 32	1860846	. . PRINTED CIRCUIT BOARD-U.S., JAPAN, BELGIUM, U.K., SPAIN, ITALY, FRANCE, GERMANY-ENGLISH, LATIN AMERICA				1	
- 32	1860846	. . PRINTED CIRCUIT BOARD-PORTUGAL, DENMARK, SWEDEN, FINLAND, NORWAY, GERMANY-GERMAN				1	
- 33	198363	. . SCREW, THD FORM-BD HD NO. 4 X 1/2 LG				2	
- 34	652650	. . STRAIN RELIEF				1	
- 35	2455127	. . BASE				1	
- 36	2455158	. . BRACKET				2	
- 37	5319854	. . SCREW, SELF TAP 8-32 X 3/8 LG				4	
- 38	1090448	. . WASHER, FLAT 3/16 ID X 7/16 OD X 1/16 THK				4	
- 39	2181005	. . SCREW, SELF TAP 6-32 X 3/8 LG				4	
- 40	56722	. . LOCKWASHER, EXT TOOTH 5/32 ID				4	
- 41	1785025	. . SPACE BAR, DP KEYBOARD				1	
- 41	1864947	. . SPACE BAR, PROOF BOARD				1	

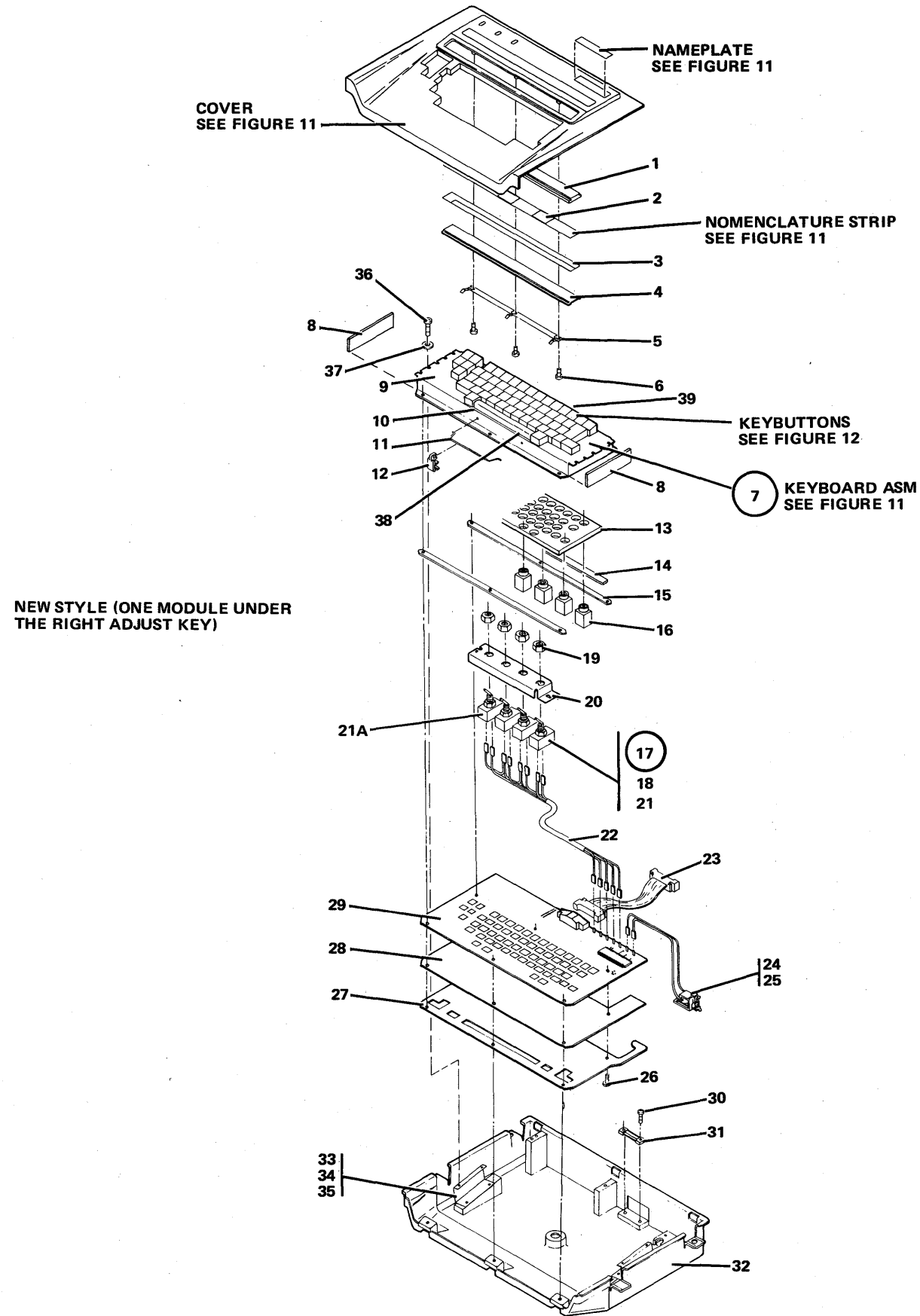


FIGURE 10. KEYBOARD ASM, NEW STYLE. SEE LIST 10.

FIGURE- INDEX NUMBER	PART NUMBER	DESCRIPTION				UNITS PER ASM.	USABLE ON CODE
		1	2	3	4		
10 -	NG NO.	KEYBCARD ASM, NEW STYLE FOR NEXT HIGHER ASM SEE LIST 2-17 AND FOR ILLUSTRATION SEE FIG. 10					
- 1	2455366	• LENS				1	
- 2	2456196	• TAB				AR	
- 3	2456199	• CCLGR STRIP				1	
- 4	2455365	• PLATE				1	
- 5	2455367	• RETAINER				1	
- 6	1611347	• SCREW, PAN HD THD FORM 6-19 X 5/16 LG				3	
- 7	NO NG.	• KEYBCARD ASM-SEE CHART ON FIG. 11 FOR FIELD REPLACEABLE UNIT				1	
- 8	1864454	• • FOAM, END PLATE				2	
- 9	1864941	• • PROTECTIVE MEMBRANE				1	
- 10	1610680	• • TAPE				2	
- 11	5995244	• • STABILIZER				1	
- 12	5183362	• • PIVOT				2	
- 13	1861397	• • FOAM				1	
- 14	1864447	• • FOAM STRIP				2	
- 15	5183363	• • INSULATOR				2	
- 16	1748133	• • KEY MODULE, USED IN ALL POSITIONS-FOR MODULES NOT REQUIRING FLYPLATE USE THIS MODULE AND REMOVE FLYPLATE				59	
- 17	2456216	• • SWITCH ASM, 3 SWITCH				1	
- 17	2456217	• • SWITCH ASM, 4 SWITCH				1	
- 18	1611348	• • SCREW, THD FORM BD HD NO. 6-19 X 1/2 LG				AR	
- 19	179743	• • • NUT, HEX 15/32-32				AR	
- 20	2455131	• • • BRACKET				1	
- 21	1610673	• • • SWITCH, TOGGLE				AR	
- 21A	1620065	• • • SWITCH, SPDT, INSULATED				1	
- 22	2455148	• • • CABLE ASM, 3 SWITCH				1	
- 22	2456292	• • • CABLE ASM, 4 SWITCH				1	
- 23	2456460	• • CABLE ASM, KEYBOARD SIGNAL				1	
- 24	2455135	• • CLICKER ASM				1	
- 25	1611348	• • SCREW, THD FORMING-BD HD NO. 6-19 X 1/2 LG				2	
- 26	1864511	• • SCREW				6	
- 27	5183420	• • BASE				1	
- 28	5183364	• • INSULATOR				1	
- 29	1770938	• PRINTED CIRCUIT BOARD-U.S., JAPAN, BELGIUM, U.K., SPAIN, ITALY, FRANCE, GERMANY-ENGLISH, LATIN AMERICA				1	
- 29	1770939	• PRINTED CIRCUIT BOARD-PORTUGAL, DENMARK, SWEDEN, FINLAND, NORWAY, GERMANY-GERMAN				1	
- 29	1770942	• PRINTED CIRCUIT BOARD-KATAKANA				1	
- 30	198363	• SCREW, THD FORM-BD HD NO. 4 X 1/2 LG				2	
- 31	652650	• STRAIN RELIEF				1	
- 32	2455127	• BASE				1	
- 33	2455158	• BRACKET				1	
- 34	5319854	• SCREW, SELF TAP 8-32 X 3/8 LG				4	
- 35	1090448	• WASHER, FLAT 3/16 ID X 7/16 OD X 1/16 THK				4	
- 36	2181005	• SCREW, THD FORM 6-32 X 3/8 LG				4	
- 37	56722	• LOCKWASHER, EXT TOOTH 5/32 ID				4	
- 38	1785025	• SPACE BAR, DP KEYBOARD				1	
- 38	1864947	• SPACE BAR, PROOF KEYBOARD				1	
- 39	5183448	• KEYLCK				1	

DATA ENTRY STYLE – W/FEATURE GROUP A  
 DUAL STATION

COUNTRY	KEYBOARD	COVER ASSEMBLY	NAMEPLATE	NOMEN STRIP
US	1770647	2456075	2456094	2456059 2456061
JAPAN	1770652	2456075	2456285	2456059 2456061
BRAZIL	1770654	2456077	2456094	2456059 2456061
BELGIUM	1770656	2456075	2456094	2456059 2456061
DENMARK	1770658	2456077	2456094	2456059 2456061
SWED/FIN	1770660	2456077	2456094	2456059 2456061
NORWAY	1770662	2456077	2456094	2456059 2456061
UK	1770664	2456075	2456094	2456059 2456261
SPAIN	1770666	2456083	2456097	2456265 2456266
ITALY	1770668	2456085	2456098	2456269 2456270
FRANCE/QWERTY	1770670	2456081	2456096	2456261 2456262
GERMANY	1770672	2456079	2456095	2456257 2456258
GERMAN W/ENG	1770674	2456092	2456095	2456257 2456258
LATIN AMER	1770676	2456083	2456097	2456265 2456266
FRANCE/AZERTY	1770687	2456081	2456096	2456261 2456262
ASCII	1770682	2456075	2456094	2456059 2456061
KATAKANA	1854440	2455251	2456285	2456059 2456061
PORTUGAL	1748182	2456077	2456094	2456059 2456061

 DATA ENTRY STYLE – W/O FEATURE GROUP A  
 DUAL STATION

COUNTRY	KEYBOARD	COVER ASSEMBLY	NAMEPLATE	NOMEN STRIP
US	1770647	2456075	2456094	2456057
JAPAN	1770652	2456075	2456285	2456057
BRAZIL	1770654	2456077	2456094	2456057
BELGIUM	1770656	2456075	2456094	2456057
DENMARK	1770658	2456077	2456094	2456057
SWED/FIN	1770660	2456077	2456094	2456057
NORWAY	1770662	2456077	2456094	2456057
UK	1770664	2456075	2456094	2456057
SPAIN	1770666	2456083	2456097	2456264
ITALY	1770668	2456085	2456098	2456268
FRANCE/QWERTY	1770670	2456081	2456096	2456260
GERMANY	1770672	2456079	2456095	2456256
GERMAN W/ENG	1770674	2456092	2456095	2456256
LATIN AMER	1770676	2456083	2456097	2456264
FRANCE/AZERTY	1770687	2456096	2456096	2456260
ASCII	1770682	2456075	2456094	2456057
KATAKANA	1854440	2455251	2456285	2456057
PORTUGAL	1748182	2456077	2456094	2456057

FIGURE 11. KEYBOARD CHART. PART 1 OF 2.

 PROOF STYLE – W/FEATURE GROUP A  
 DUAL STATION

COUNTRY	KEYBOARD	COVER ASSEMBLY	NAMEPLATE	NOMEN STRIP
US	1864959	2456075	2456094	2456059 2456061
JAPAN	1643104	2456075	2456285	2456059 2456061
BRAZIL	1643109	2456077	2456094	2456059 2456061
BELGIUM	1643114	2456075	2456094	2456059 2456061
DENMARK	1643119	2456077	2456094	2456059 2456061
SWED/FIN	1643124	2456077	2456094	2456059 2456061
NORWAY	1643129	2456077	2456094	2456059 2456061
UK	1643134	2456075	2456094	2456059 2456061
SPAIN	1643139	2456083	2456097	2456265 2456266
ITALY	1643144	2456085	2456098	2456269 2456270
FRANCE/QWERTY	1643149	2456081	2456096	2456261 2456262
GERMANY	1643154	2456079	2456095	2456257 2456258
GERMAN W/ENG	1643159	2456092	2456095	2456257 2456258
LATIN AMER	1643164	2456083	2456097	2456265 2456266
FRANCE/AZERTY	1643174	2456081	2456096	2456261 2456262
PORTUGAL	1748181	2456077	2456094	2456059 2456061
KATAKANA	1643169	2455251	2456285	2456059 2456061

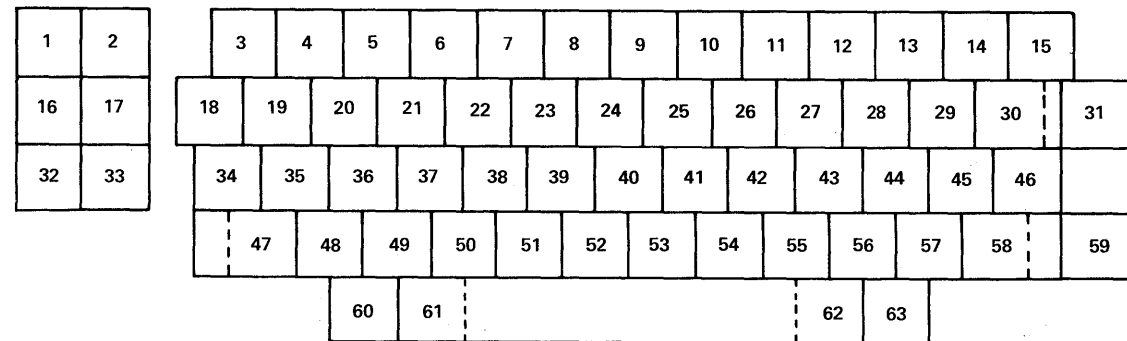
 PROOF STYLE – W/O FEATURE GROUP A  
 DUAL STATION

COUNTRY	KEYBOARD	COVER ASSEMBLY	NAMEPLATE	NOMEN STRIP
US	1864959	2456075	2456094	2456057
JAPAN	1643104	2456075	2456285	2456057
BRAZIL	1643109	2456077	2456094	2456057
BELGIUM	1643114	2456075	2456094	2456057
DENMARK	1643119	2456077	2456094	2456057
SWED/FIN	1643124	2456077	2456094	2456057
NORWAY	1643129	2456077	2456094	2456057
UK	1643134	2456075	2456094	2456057
SPAIN	1643139	2456083	2456097	2456264
ITALY	1643144	2456085	2456098	2456268
FRANCE/QWERTY	1643149	2456081	2456096	2456260
GERMANY	1643154	2456079	2456095	2456256
GERMAN W/ENG	1643159	2456092	2456095	2456256
LATIN AMER	1643164	2456083	2456097	2456264
FRANCE/AZERTY	1643174	2456081	2456096	2456260
PORTUGAL	1748181	2456077	2456094	2456057
KATAKANA	1643169	2455251	2456285	2456057

FIGURE 11. KEYBOARD CHART. PART 2 OF 2.







POS. #	KATAKANA
1	1853483
2	1853484
3	1863681
4	1853682
5	1853683
6	1853684
7	1853685
8	1853686
9	1853687
10	1853688
11	1853689
12	1853690
13	1853691
14	1853692
15	1853693
16	1853666
17	1786819
18	1786820
19	1853694
20	1853695
21	1853696
22	1853697
23	1853698
24	1853699
25	1853700
26	1853701
27	1853702
28	1853703
29	1853704
30	1853705
31	1853667
32	5183552
33	1853708
34	1853709
35	1853710
36	1853711
37	1853712
38	1853713
39	1853714
40	1853715
41	1853716
42	1853717
43	1853718
44	1853719
45	1853425
46	1853720
47	1853721
48	1853722
49	1853723
50	1853724
51	1853725
52	1853726
53	1853727
54	1853728
55	1853729
56	1853730
57	1853426
58	1772985
59	1772985
60	1863820
61	1772985
62	1853706
63	1853707

FIGURE 12. KEYBUTTON CHART, DUAL STATION. PART 3 OF 3.

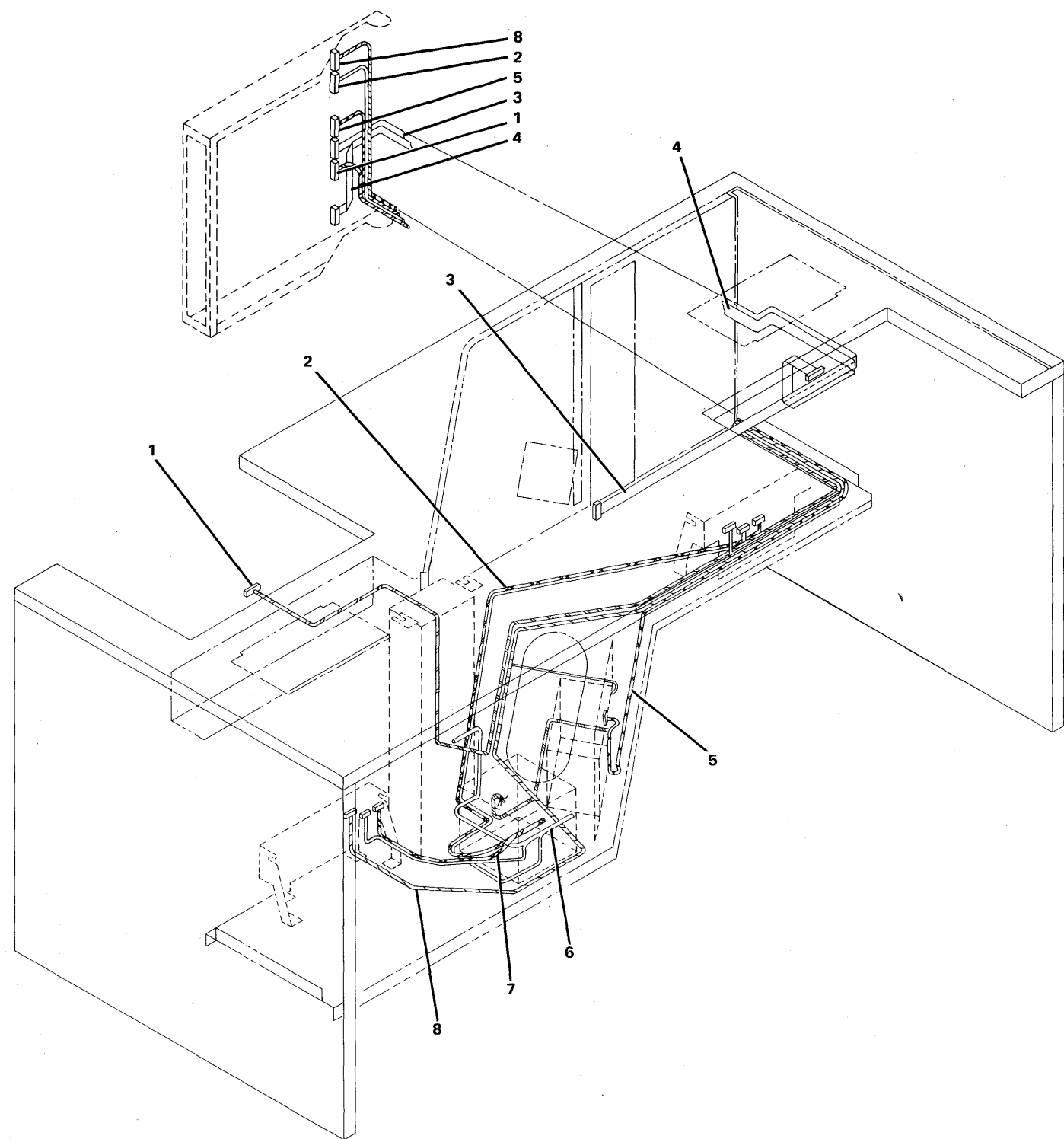


FIGURE 13. CABLE ROUTING. SEE LIST 13.

FIGURE- INDEX NUMBER	PART NUMBER	DESCRIPTION	1 2 3 4				UNITS PER ASM.	USABLE ON CODE
			1	2	3	4		
13 -	NO NC.	CABLE ROUTING ASM FOR ILLUSTRATION SEE FIG 13						
- 1	2455729	• CABLE ASM,KEYBOARD SIGNAL STATION 1					1	
- 2	2456371	• CABLE ASM,DISK 2 SIGNAL					1	
- 3	2456372	• CABLE ASM,DISPLAY SIGNAL					1	
- 4	2456360	• CABLE ASM,KEYBOARD SIGNAL STATION 2					1	
- 5	2456361	• CABLE ASM,DC DISTRIBUTION					1	
- 6	2456362	• CABLE ASM,AC DISTRIBUTION 100/123.5V					1	
- 6	2456387	• CABLE ASM,AC DISTRIBUTION 200/235V					1	
- 7	2455599	• CABLE ASM,AC FAN WTC ONLY					1	
- 8	2456370	• CABLE ASM,DISK 1 SIGNAL					1	



3742  
NUMERICAL INDEX

PART NO.	LIST AND INDEX NO.
2455755	3 - 37
2455810	4 - 31
2455811	4 - 31
2455814	5 - 23
2455816	5 - 18
2455818	5 - 19
2455819	5 - 31
2455820	5 - 31
2455822	3 - 9
2455824	5 - 33
2455836	3 - 69
2455860	4A- 4
2456043	3 - 30
2456118	2 - 26
2456171	1 - 33
2456194	3 - 21
2456196	9 - 2
2456196	10 - 2
2456199	9 - 3
2456199	10 - 3
2456200	1 - 27
2456201	2 - 11
2456204	1 - 2
2456205	1 - 19
2456206	2 - 16
2456207	2 - 35
2456208	2 - 20A
2456212	2 - 45
2456213	1 - 11
2456216	9 - 20
2456216	10 - 17
2456217	9 - 20
2456217	10 - 17
2456225	1 - 8
2456228	3 - 44
2456229	1 - 3
2456231	2 - 15
2456234	2 - 46
2456235	2 - 47
2456236	3 - 54
2456292	9 - 25
2456292	10 - 22
2456316	3 - 15
2456320	2 - 44
2456320	4 - 32
2456340	4 - 21
2456343	2 - 5
2456344	2 - 6
2456348	3 - 14
2456360	13 - 4
2456361	13 - 5
2456362	13 - 6
2456367	3 - 51
2456370	13 - 8
2456371	13 - 2
2456372	4 - 34
2456372	13 - 3
2456380	2 - 8
2456381	3 - 10
2456387	13 - 6
2456388	3 - 11
2456395	3 - 2
2456395	5 -
2456407	3 - 22
2456409	5 - 22
2456413	4 - 7
2456419	3 - 18
2456425	3 - 19
2456449	2 - 21
2456450	3 - 2
2456450	5 -
2456453	3 - 1
2456454	2 - 40

PART NO.	LIST AND INDEX NO.
2456455	3 - 2
2456455	5 -
2456456	2 - 2
2456457	2 - 1
2456460	9 - 26
2456460	10 - 23
2456489	5 - 20
2456608	3 - 29
2456629	3 - 42
2456630	3 - 26
2456699	4 - 9
2456709	4 - 29
2456717	2 - 20
2456990	5 - 4
2456991	3 - 26
2469880	3 - 77
2469914	3 - 76
2526979	1 - 1
2538125	3 - 40
2538125	4 - 13
2565041	4 - 16
2590417	2 - 34
2590418	2 - 34
2590419	2 - 34
2590467	2 - 34
2595296	2 - 37
2596275	8 - 21
2632773	4A- 3
2731007	4A- 2
2731011	4A- 9
2731026	4A- 8
4057508	7 - 20
4119395	3 - 37
4119396	3 - 37
4119397	3 - 37
5153539	12 - 1
5153540	12 - 1
5153540	12 - 1
5153541	12 - 1
5153541	12 - 1
5153545	12 - 1
5153546	12 - 1
5153556	12 - 1
5153558	12 - 1
5153559	12 - 1
5153566	12 - 1
5153566	12 - 1
5153566	12 - 1
5153573	12 - 1
5153602	12 - 1
5153602	12 - 1
5153607	12 - 1
5153608	12 - 1
5153609	12 - 1
5153612	12 - 1
5153613	12 - 1
5153614	12 - 1
5153615	12 - 1
5153616	12 - 1
5153617	12 - 1
5153618	12 - 1
5153619	12 - 1
5153620	12 - 1
5172383	12 - 1
5180975	12 - 1
5180975	12 - 1
5180976	12 - 1
5180976	12 - 1
5180977	12 - 1
5180977	12 - 1
5180978	12 - 1
5180978	12 - 1

PART NO.	LIST AND INDEX NO.
5180979	12 - 1
5180979	12 - 1
5180980	12 - 1
5180980	12 - 1
5180981	12 - 1
5180981	12 - 1
5180982	12 - 1
5180982	12 - 1
5180983	12 - 1
5180983	12 - 1
5180984	12 - 1
5180984	12 - 1
5180985	12 - 1
5180985	12 - 1
5180986	12 - 1
5180986	12 - 1
5180987	12 - 1
5180987	12 - 1
5180988	12 - 1
5180988	12 - 1
5180989	12 - 1
5180989	12 - 1
5180990	12 - 1
5180990	12 - 1
5180994	12 - 1
5180994	12 - 1
5180995	12 - 1
5180995	12 - 1
5180996	12 - 1
5180996	12 - 1
5181035	12 - 1
5181035	12 - 1
5183362	9 - 13
5183362	10 - 12
5183363	9 - 16
5183363	10 - 15
5183364	9 - 31
5183364	10 - 28
5183420	9 - 30
5183420	10 - 27
5183447	9 - 19
5183448	10 - 39
5183551	12 - 1
5183551	12 - 1
5183551	12 - 1
5183552	12 - 1
5183552	12 - 1
5183552	12 - 1
5213276	5 - 26
5214551	3 - 75
5252695	3 - 28
5252840	3 - 28
5319854	1 - 41
5319854	2 - 43
5319854	3 - 27
5319854	4 - 2
5319854	4 - 8
5319854	4 - 14
5319854	4A- 7
5319854	9 - 37
5319854	10 - 34
5344991	7 - 12
5349929	1 - 43
5349929	2 - 41
5349929	3 - 68
5349929	4 - 23
5349929	4 - 26
5349929	5 - 2
535C006	6 - 13
5353301	1 - 22
5372858	1 - 40

PART NO.	LIST AND INDEX NO.
5372858	2 - 18
5404092	3 - 29
5447441	6 - 8
5466393	6 - 10
5466397	6 - 9
5554002	7 - 61
5562061	7 - 14
5562062	8 - 23
5562099	7 - 20
5700484	7 - 15
5719139	4 - 4
5762582	3 - 20
5995244	9 - 12
5995244	10 - 11
8236871	6 - 5
8238725	4A- 10
8524194	6 - 5

PART NO.	LIST AND INDEX NO.
----------	--------------------

PART NO.	LIST AND INDEX NO.
----------	--------------------

PART NO.	LIST AND INDEX NO.
----------	--------------------

PART NO.	LIST AND INDEX NO.
----------	--------------------



**READER'S COMMENT FORM**

**YOUR COMMENTS, PLEASE . . .**

**S131-0586-2**

Your comments assist us in improving the usefulness of our publications; they are an important part of the input used in preparing updates to the publications. All comments and suggestions become the property of IBM.

Please do not use this form for technical questions about the system or for requests for additional publications; this only delays the response. Instead, direct your inquiries or requests to your IBM representative or to the IBM branch office serving your locality.

Corrections or clarifications needed:

*Page*      *Comment*

Please include your name and address in the space below if you wish a reply.

● Thank you for your cooperation. No postage necessary if mailed in the U.S.A.

**READER'S COMMENT FORM**

**YOUR COMMENTS, PLEASE . . .**

**S131-0586-2**

Your comments assist us in improving the usefulness of our publications; they are an important part of the input used in preparing updates to the publications. All comments and suggestions become the property of IBM.

Please do not use this form for technical questions about the system or for requests for additional publications; this only delays the response. Instead, direct your inquiries or requests to your IBM representative or to the IBM branch office serving your locality.

Corrections or clarifications needed:

*Page*      *Comment*

Please include your name and address in the space below if you wish a reply.

● Thank you for your cooperation. No postage necessary if mailed in the U.S.A.

Cut Along Line

Fold

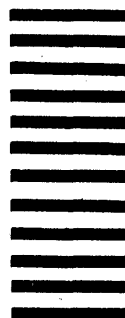
Fold

Fold

Fold

**BUSINESS REPLY MAIL**  
 NO POSTAGE STAMP NECESSARY IF MAILED IN THE UNITED STATES

FIRST CLASS  
 PERMIT NO. 387  
 ROCHESTER, MINN.



POSTAGE WILL BE PAID BY . . .

IBM Corporation  
 General Systems Division  
 Development Laboratory  
 Publications, Dept. 245  
 Rochester, Minnesota 55901

**BUSINESS REPLY MAIL**  
 NO POSTAGE STAMP NECESSARY IF MAILED IN THE UNITED STATES

FIRST CLASS  
 PERMIT NO. 387  
 ROCHESTER, MINN.



POSTAGE WILL BE PAID BY . . .

IBM Corporation  
 General Systems Division  
 Development Laboratory  
 Publications, Dept. 245  
 Rochester, Minnesota 55901

Fold

Fold

Fold

Fold

**IBM**

International Business Machines Corporation  
 Data Processing Division  
 1133 Westchester Avenue, White Plains, New York 10604  
 (U.S.A. only)

IBM World Trade Corporation  
 821 United Nations Plaza, New York, New York 10017  
 (International)

**IBM**

International Business Machines Corporation  
 Data Processing Division  
 1133 Westchester Avenue, White Plains, New York 10604  
 (U.S.A. only)

IBM World Trade Corporation  
 821 United Nations Plaza, New York, New York 10017  
 (International)



FE  
System  
Maintenance  
Library



System



cut here

3742 Dual Data Station (PC) U.S.A. S131-0586-2

**IBM**

International Business Machines Corporation  
Data Processing Division  
1133 Westchester Avenue, White Plains, New York 10604  
(U.S.A. only)

IBM World Trade Corporation  
821 United Nations Plaza, New York, New York 10017  
(International)